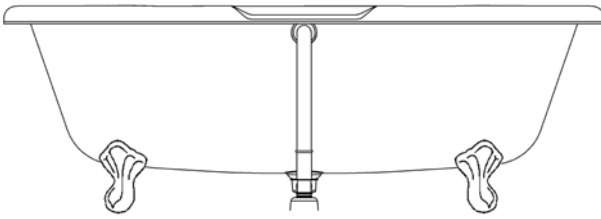


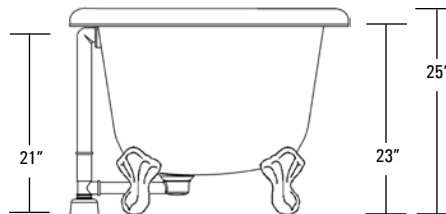
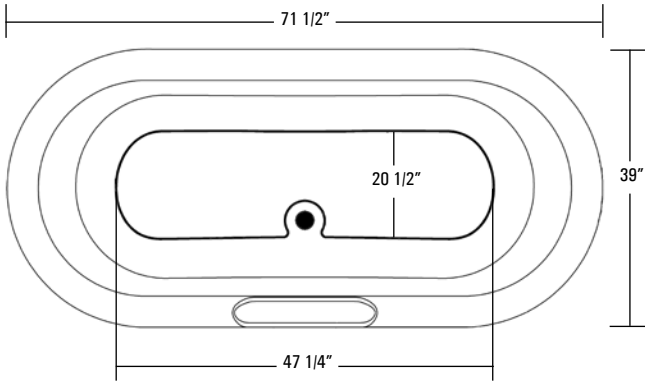
# RESTORATION 4

AQUATIC

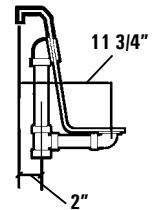
RESTORATION SERIES MODEL # AIY6717TO



  
Two Person Bath



Rough-In Plumbing Measurements



## SPECIFICATIONS:

### GENERAL SPECIFICATIONS:

|                     |                        |
|---------------------|------------------------|
| Tub Size            | 71 1/2" x 39" x 25"    |
|                     | 182 cm x 99 cm x 64 cm |
| Bathing Well        | 47 1/4" long           |
|                     | 20 1/2" wide           |
|                     | 16 1/2" interior depth |
| Shipping Weight     | 194 lbs. / 88 kg       |
| Tub Weight Filled   | 784 lbs. / 356 kg      |
| Tub Only Weight     | 126 lbs. / 57 kg       |
| Gallons to Overflow | 79 gal. / 299 L        |

### STANDARD EQUIPMENT:

#### Aquatic Quality Features:

- Slip Resistant Floor
  - Deep Bathing Well
  - Claw Feet Available in Chrome, Polished Brass, Satin Nickel, Polished Nickel, Oil Rubbed Bronze and White
  - Thick, Durable Acrylic Surface
  - Available in White Only
- UL & IAPMO Listed**  
**Limited Lifetime Warranty**

### OPTIONAL EQUIPMENT:

- Comfort Pillow - Oval or Rectangle (White, Biscuit or Black)
- Freestanding Waste and Overflow
  - Chrome, Polished Brass, Polished Nickel, Satin Nickel, Oil Rubbed Bronze or White

Fax-On-Demand  
Document #1264



The manufacturer accepts a 1/4" variance. There are variations on each tub and specifications are subject to change as we improve upon our product as required. The dimensions needed for site preparation and structure building should be measured from the tub; Aquatic Industries, Inc. assumes no responsibility for preparatory work.

www.aquaticwhirlpools.com 800.555.5324

## Free Manuals Download Website

<http://myh66.com>

<http://usermanuals.us>

<http://www.somanuals.com>

<http://www.4manuals.cc>

<http://www.manual-lib.com>

<http://www.404manual.com>

<http://www.luxmanual.com>

<http://aubethermostatmanual.com>

Golf course search by state

<http://golfingnear.com>

Email search by domain

<http://emailbydomain.com>

Auto manuals search

<http://auto.somanuals.com>

TV manuals search

<http://tv.somanuals.com>