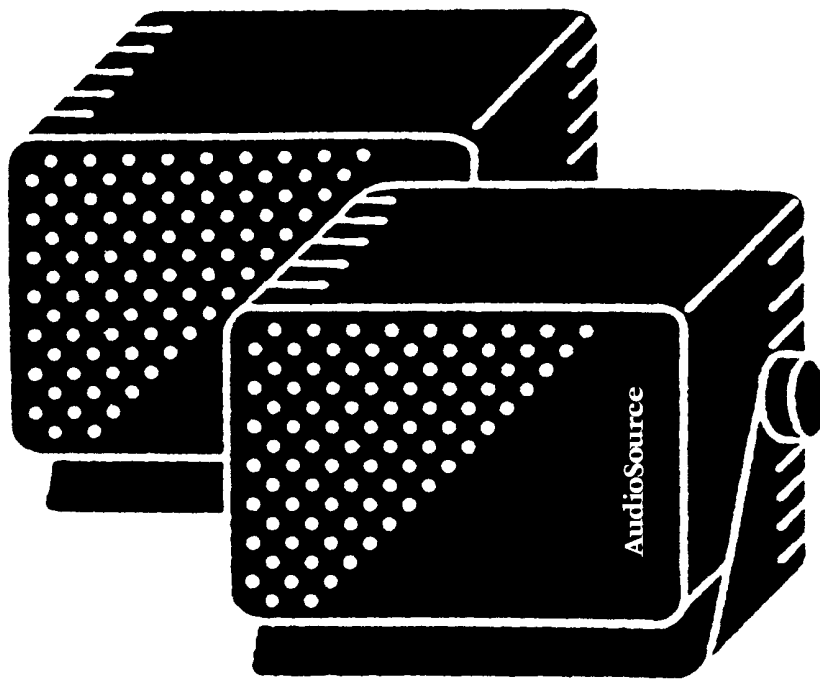


AudioSource

LS 100 & LS 200 Speakers

Indoor/Outdoor Compact Loudspeakers
with Mounting Brackets



Congratulations on your new purchase and welcome to the AudioSource family of satisfied customers. We trust that you will continue to enjoy the value and quality of your AudioSource Indoor/Outdoor Compact Loudspeakers. In order to make sure that you are experiencing the best performance out of your speakers, please take a few moments to read this manual before you get started. Also, be sure to retain this manual should you need to refer to it in the future.

A Few Words about Compact Loudspeakers

The AudioSource LS loudspeaker is designed to accurately reproduce high fidelity music, including today's demanding digital signals. The discrete compact Indoor/Outdoor format is ideal for many applications where larger "box style " speakers would be impractical. The weather tight cabinets allow you to extend your listening area to include patios, decks, poolsides and other outdoor environments. The LS 100 speakers may be used independently where space is a consideration. They may also be used to enhance and enrich subwoofer and Home Theater systems, for which they are especially suited.

Speaker Placement

The LS 100 speakers are weather tight. The grilles, cabinets, drivers, brackets and associated hardware are specially made to withstand a harsh outdoor environment. Weather tight and water tight are not one in the same, so please do not immerse your loudspeakers. If you decide to locate your speakers outdoors, position them so they are not "face up" to the elements.

Proper positioning guidelines are the same as for any quality loudspeaker. Positioning near a wall or in a corner will enhance bass performance. Position the speaker so that the tweeter is on top when the speaker is used vertically, or to the outside edges when used horizontally. Doing so will assure clean, crisp "mid" and "high" response.

Hooking it all up

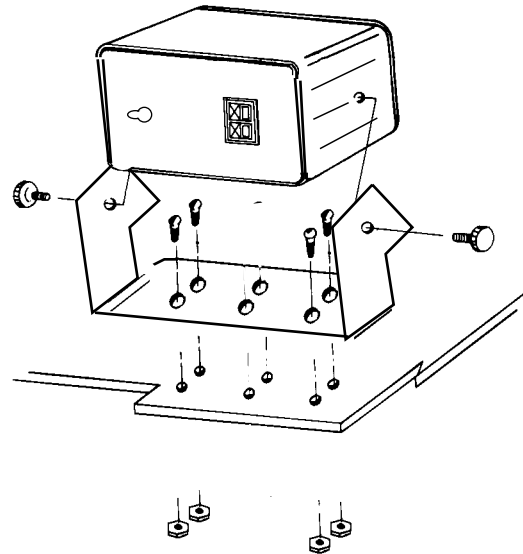
The push-on style terminals on the speaker will accommodate up to 16 gauge wire, which should be used for longer connections. For shorter distances, 18 gauge speaker wire will be adequate.

When connecting your LS 100 loudspeakers, it is very important to retain the correct polarity. This means that the wire attached to the "+", red, positive, or hot terminal on one component must be attached to the "+", red, positive or hot terminal on the other component. Similarly, the "-", black, negative or ground terminals must connect to the respective "-", black, negative or ground terminals. This is easy to do by observing the color, stripe, or ribbing that appears on the wire. The amplifier terminals will also be marked "Left " or "Right", and should be connected accordingly.

Speaker Mounting

Two sets of accessories are provided with the feet and brackets. Depending on how you chose to position the speakers, you will probably want to use one or the other. The self-sticking feet will protect the surface the speaker is resting on, and will prevent the speaker from vibrating and sliding. Simply peel the paper backing off and press the adhesive surface on to the LS 100 cabinet. Be sure the feet are applied to the side on which the speaker will be resting. This method is appropriate for mounting on a bookshelf or speaker stand.

Heavy duty brackets are also included. These allow you to tilt, or "aim" the speakers into the listening area. Mount the "U" shaped part of the bracket first, using the enclosed weather proof hardware. Soft pads have been provided for the inside edge of this "U" shaped bracket to protect the speakers from scratches. If other hardware is to be used outdoors, make certain that it is also weather proof, or rust stains may occur. Next, attach the speakers to the brackets, using the big hand knobs. Tighten down carefully and slowly, and do not over tighten. The LS 100 speakers also include a "key-hole type" mounting hook to instantly mount the speakers to a wall. For safety, always mount these speakers on a wall that is reinforced from behind. Never mount a speaker on a wall made of unreinforced drywall or plasterboard. If you are unsure, consult a professional contractor.



Warranty

We at AudioSource would like to thank you for choosing our product. You can take pride in owning this quality crafted unit; we take pride in having built it. AudioSource speakers carry a Five Year Warranty. Please read your warranty. It is valuable to you as well as to any subsequent owner during the term of the warranty. The transferability of the warranty is an unusual feature, and that is why we claim we warrant the product, not just the purchaser. We have tried to supply as much information as we could; but remember, if you need assistance with our products, we are here to help.

Free Manuals Download Website

<http://myh66.com>

<http://usermanuals.us>

<http://www.somanuals.com>

<http://www.4manuals.cc>

<http://www.manual-lib.com>

<http://www.404manual.com>

<http://www.luxmanual.com>

<http://aubethermostatmanual.com>

Golf course search by state

<http://golfingnear.com>

Email search by domain

<http://emailbydomain.com>

Auto manuals search

<http://auto.somanuals.com>

TV manuals search

<http://tv.somanuals.com>