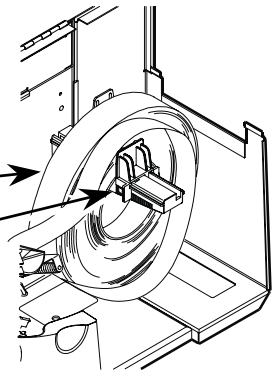


SUPPLY GUIDE EXTENSION ADDENDUM

There are many sizes of labels available for Monarch® M09800® printers. When using narrow width labels (1.0", 1.2", or 1.5") it is possible for coils of labels to slip over the front supply guide. This may jam the printer.

**Loose Coils
of Labels**

Supply Guide

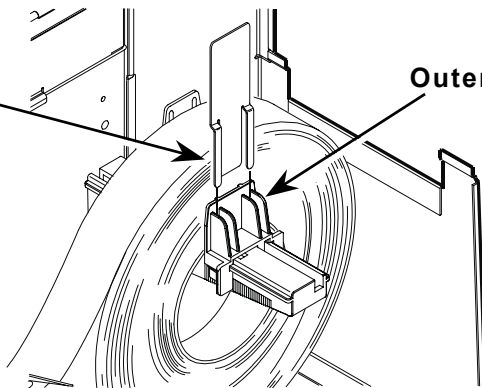


Using the Optional Supply Guide Extension

Using the optional supply guide extension (p/n 126286) keeps a new roll of narrow supply in line. Slide the extension down onto the front supply guide. Make sure the small tabs of the extension go between the outer slots of the front supply guide.

Small Tabs

Outer Slots



Free Manuals Download Website

<http://myh66.com>

<http://usermanuals.us>

<http://www.somanuals.com>

<http://www.4manuals.cc>

<http://www.manual-lib.com>

<http://www.404manual.com>

<http://www.luxmanual.com>

<http://aubethermostatmanual.com>

Golf course search by state

<http://golfingnear.com>

Email search by domain

<http://emailbydomain.com>

Auto manuals search

<http://auto.somanuals.com>

TV manuals search

<http://tv.somanuals.com>