



**High Resolution
Analog Input / Output
Expansion Board**

Catalog No. EXBHH005A01

Installation and Operating Manual

2/06

MN754

Any trademarks used in this manual are the property of their respective owners.

Table of Contents

Section 1	
General Information	1-1
Introduction	1-1
Limited Warranty	1-2
Safety Notice	1-3
Section 2	
Expansion Board Description	2-1
Section 3	
Installation	3-1
Receiving & Inspection	3-1
Board Installation	3-1
Jumper Definitions	3-3
Section 4	
Software Setup	4-1
Overview	4-1
Optional Analog Parameters	4-2
Section 5	
Troubleshooting	5-1

Section 1

General Information

Introduction

The Baldor controls represent the latest technology in microprocessor based motor controls. In addition to the user programmable parameters available in every control, many different expansion boards are available from Baldor to further customize the control to most any application. Originally designed for the H2 controls, these same boards are compatible with our flagship products, the VS1SP, VS1GV and VS1SD controls.

Table 1-1 VS1 Expansion Boards

Board Name	Catalog No.	Manual No.
Ethernet Server Expansion Board	EXBHH001AXX	MN751
Mint® Expansion Board	EXBHH002AXX	MN752
Isolated Input Expansion Board	EXBHH003AXX	MN753
High Resolution Analog Board	EXBHH005AXX	MN754
Master Pulse Reference / Isolated Pulse Follower	EXBHH007AXX	MN755
DeviceNet / Ethernet/IP Expansion Board	EXBHH013AXX	MN756
Profibus DP Expansion Board	EXBHH014AXX	MN758
LonWorks Communications Expansion Board	EXBHH016AXX	MN759

Limited Warranty

For a period of two (2) years from the date of original purchase, BALDOR will repair or replace without charge controls and accessories which our examination proves to be defective in material or workmanship. This warranty is valid if the unit has not been tampered with by unauthorized persons, misused, abused, or improperly installed and has been used in accordance with the instructions and/or ratings supplied. This warranty is in lieu of any other warranty or guarantee expressed or implied. BALDOR shall not be held responsible for any expense (including installation and removal), inconvenience, or consequential damage, including injury to any person or property caused by items of our manufacture or sale. (Some states do not allow exclusion or limitation of incidental or consequential damages, so the above exclusion may not apply.) In any event, BALDOR's total liability, under all circumstances, shall not exceed the full purchase price of the control. Claims for purchase price refunds, repairs, or replacements must be referred to BALDOR with all pertinent data as to the defect, the date purchased, the task performed by the control, and the problem encountered. No liability is assumed for expendable items such as fuses.

Goods may be returned only with written notification including a BALDOR Return Authorization Number and any return shipments must be prepaid.

Safety Notice

This equipment contains voltages that may be as great as 1000 volts! Electrical shock can cause serious or fatal injury. Only qualified personnel should attempt the start-up procedure or troubleshoot this equipment.

This equipment may be connected to other machines that have rotating parts or parts that are driven by this equipment. Improper use can cause serious or fatal injury. Only qualified personnel should attempt the start-up procedure or troubleshoot this equipment.

PRECAUTIONS

WARNING: Do not touch any circuit board, power device or electrical connection before you first ensure that power has been disconnected and there is no high voltage present from this equipment or other equipment to which it is connected. Electrical shock can cause serious or fatal injury. Only qualified personnel should attempt the start-up procedure or troubleshoot this equipment.

WARNING: Be sure that you are completely familiar with the safe operation of this equipment. This equipment may be connected to other machines that have rotating parts or parts that are controlled by this equipment. Improper use can cause serious or fatal injury. Only qualified personnel should attempt the start-up procedure or troubleshoot this equipment.

WARNING: Be sure the system is properly grounded before applying power. Do not apply AC power before you ensure that all grounding instructions have been followed. Electrical shock can cause serious or fatal injury.

WARNING: Do not remove cover for at least five (5) minutes after AC power is disconnected to allow capacitors to discharge. Dangerous voltages are present inside the equipment. Electrical shock can cause serious or fatal injury.

Continued on next page

WARNING: Improper operation of control may cause violent motion of the motor shaft and driven equipment. Be certain that unexpected motor shaft movement will not cause injury to personnel or damage to equipment. Peak torque of several times the rated motor torque can occur during control failure.

WARNING: Motor circuit may have high voltage present whenever AC power is applied, even when motor is not rotating. Electrical shock can cause serious or fatal injury.

Caution: To prevent equipment damage, be certain that the electrical service is not capable of delivering more than the maximum line short circuit current amperes listed in the appropriate control manual, 240 VAC, 480 VAC or 600 VAC maximum per control rating.

Caution: Before you proceed, be sure to read and become familiar with the safety precautions at the beginning of this manual. If you have any questions, seek expert advice before you proceed. Do not proceed if you are unsure of the safety precautions or any procedure.

Caution: Be sure all packing materials are removed from the board. Conductive foam may be present on the connectors to prevent static build up during shipping. This can prevent proper circuit operation.

Caution: Static electricity damages electrical components. This board has static sensitive components installed. Be sure to comply with ESD (Electro Static Discharge) procedures when handling circuit boards and components.

Section 2

Expansion Board Description

Introduction

High Resolution Analog Expansion Board
Catalog No. EXBHH005AXX.

When this board is installed, two high resolution analog inputs are provided in addition to the two standard analog outputs.

Features:

- Two (2) Analog Inputs
- Two (2) Analog Outputs
- 16 Bit Digital Resolution

The Analog I/O expansion board provides two high resolution analog inputs to the motor control board and two high resolution outputs from the motor control board. Each input and output may be configured for 0-5VDC, +5VDC, 0-10VDC, +10VDC, 0-20 mA or 4-20mA.

Each analog input and output may be independently configured to a voltage or current.

Table 2-1 identifies the characteristics of the High Resolution Analog Input/Output Expansion Board.

Table 2-2 specifies the signal resolutions for each type of input and output signal.

Figure 3-3 and 3-4 identify the internal configuration and external connections for the analog input and output signals.

Installation Considerations

Two expansion board slots are available in the control. When this board is installed, there are a total of four (4) analog inputs and four (4) analog outputs. The parameters used depend on the slot into which the expansion board is installed.

If a High Resolution Analog expansion board is:

installed in **Slot 1**, OP1 ANA IN1 & 2 etc. are active.

installed in **Slot 2**, OP2 ANA IN1 & 2 etc. are active.

Note: Slot 3 is reserved for a feedback board only.

Table 2-1 Characteristics

High Resolution Inputs	Number of Inputs	Two
	Input Signal Levels	+5VDC, +10VDC, 0-20 mA or 4-20mA
	Maximum Digital Resolution	16 bits
High Resolution Outputs	Number of Outputs	Two
	Output Signal Levels	0-5VDC, +5VDC, 0-10VDC, +10VDC, 0-20 mA or 4-20mA
	Maximum Digital Resolution	16 bits

Table 2-2 Signal Resolution

Input Signal	Signal Type	Digital Resolution	Analog Resolution
High Resolution Inputs			
±10VDC	Voltage	16 Bits (65636 Parts)	305 µVDC (0.000305 VDC)
±5VDC	Voltage	15 Bits (65636 Parts)	305 µVDC (0.000305 VDC)
4-20mA 0-20 mA	Current	15 Bits (65636 Parts)	0.061 µA (0.000061 AMP)
High Resolution Outputs			
±10VDC	Voltage	16 Bits (65636 Parts)	305 µVDC (0.000305 VDC)
0-10VDC	Voltage	15 Bits (65636 Parts)	305 µVDC (0.000305 VDC)
±5VDC	Voltage	15 Bits (65636 Parts)	305 µVDC (0.000305 VDC)
0-5VDC	Voltage	14 Bits (65636 Parts)	305 µVDC (0.000305 VDC)
4-20mA 0-20 mA	Current	15 Bits (65636 Parts)	0.061 µA (0.000061 AMP)

Section 3

Installation

Caution: Before you proceed, be sure to read and become familiar with the safety precautions at the beginning of this manual. If you have any questions, seek expert advise before you proceed. Do not proceed if you are unsure of the safety precautions or any procedure.

This section describes the expansion board installation procedure.

Receiving & Inspection

1. Observe the condition of the shipping container and report any damage immediately to the commercial carrier that delivered your control.
2. Remove the control from the shipping container and remove all packing materials from the control. The container and packing materials may be retained for future shipment.
3. Verify that the part number of the control you received is the same as the part number listed on your purchase order.
4. Inspect the control for external physical damage that may have been sustained during shipment and report any damage immediately to the commercial carrier that delivered your control.
5. If the control is to be stored for several weeks before use, be sure that it is stored in a location that conforms to published storage humidity and temperature specifications stated in this manual.

Board Installation

Caution: Static electricity damages electrical components. This board has static sensitive components installed. Be sure to comply with ESD (Electro Static Discharge) procedures when handling circuit boards and components.

1. Remove the expansion board from the shipping container.
2. Remove all packing material from the board.

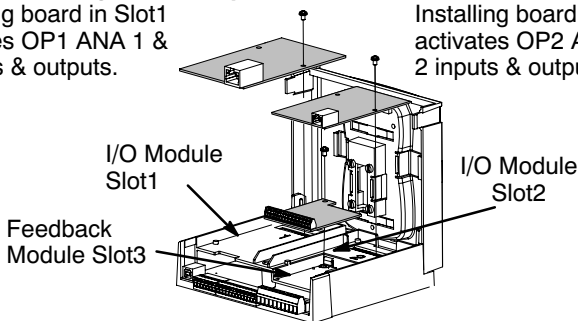
Caution: Be sure all packing materials are removed from the board. Conductive foam may be present on the connectors to prevent static build up during shipping. This can prevent proper circuit operation.

-
3. Be sure drive operation is terminated and secured.
 4. Remove all power sources from the control.
 5. Wait at least 5 minutes for internal capacitors to discharge.
 6. Refer to the control manual and remove the enclosure cover.
 7. Open the control cover and locate Slots 1 & 2, see Figure 3-1.
Note: Slot 3 is reserved for a feedback board only, encoder or resolver.
 8. Install the expansion board in Slot 1 or 2. Be sure the board is securely pressed downward and makes good contact with the 48 pin connector in the slot position.
 9. Secure the expansion board in the slot using the screw provided.

Figure 3-1 Expansion Board Slot Locations

Installing board in Slot1
activates OP1 ANA 1 &
2 inputs & outputs.

Installing board in Slot2
activates OP2 ANA 1 &
2 inputs & outputs.

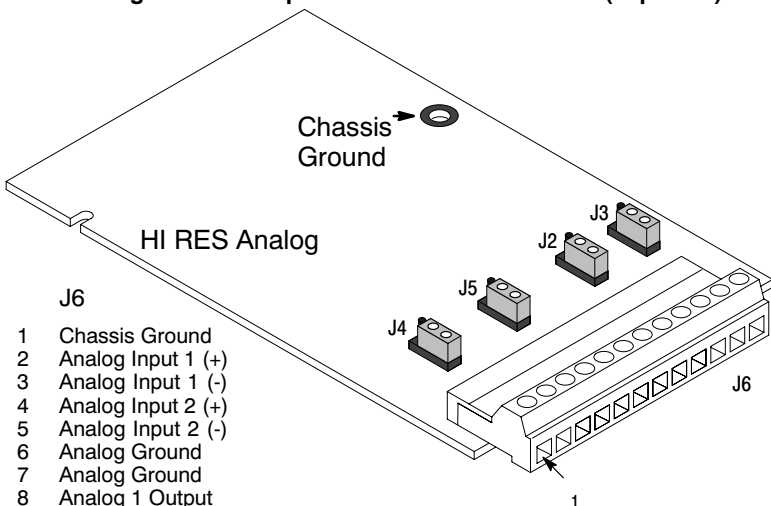


10. The mechanical installation of the expansion board is complete.
11. Refer to Jumper Definitions and configure the jumpers as desired.
12. Refer to Figures 3-3 and 3-4 and complete the wiring of the Analog Inputs and Outputs before you proceed to step 13.
13. When jumpers are set and connections are complete, close the control cover.
14. Refer to the control manual and close and secure the enclosure cover.
15. Restore all power sources to the control.
16. Restore drive operation.

Jumper Definitions

The settings for jumpers J2 to J5 are shown in Figure 3-2.

Figure 3-2 Jumper and Terminal Locations (Top View)





- J6**
- 1 Chassis Ground
 - 2 Analog Input 1 (+)
 - 3 Analog Input 1 (-)
 - 4 Analog Input 2 (+)
 - 5 Analog Input 2 (-)
 - 6 Analog Ground
 - 7 Analog Ground
 - 8 Analog 1 Output
 - 9 Analog 2 Output
 - 10 Chassis Ground
 - 11 Not Used
 - 12 Not Used

J# Description

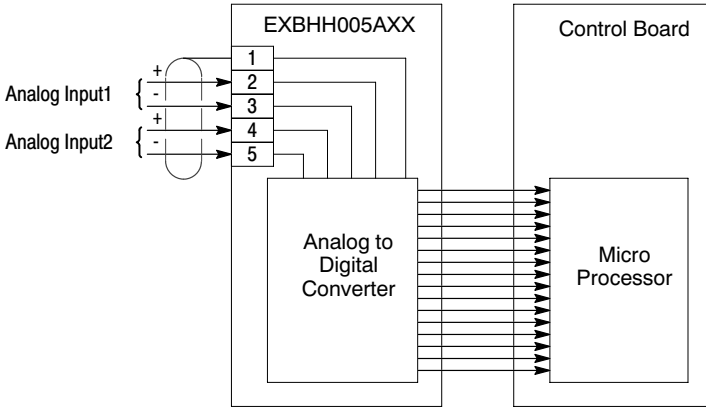
- | | |
|----|-----------------|
| J2 | Analog Output 1 |
| J3 | Analog Output 2 |
| J4 | Analog Input 1 |
| J5 | Analog Input 2 |

Function

	
Voltage	I (current)
Voltage	I (current)
Voltage	I (current)
Voltage	I (current)

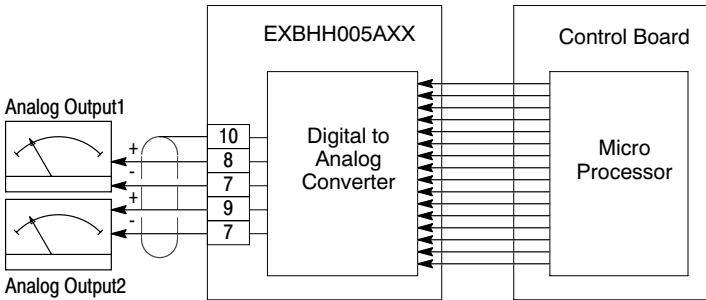
Terminal tightening torque is 2 lb-in (0.24 Nm) maximum.

Figure 3-3 High Resolution Input Connections



Terminal tightening torque is 2 lb-in (0.24 Nm) maximum.

Figure 3-4 High Resolution Output Connections



Terminal tightening torque is 2 lb-in (0.24 Nm) maximum.

Section 4 Software Setup

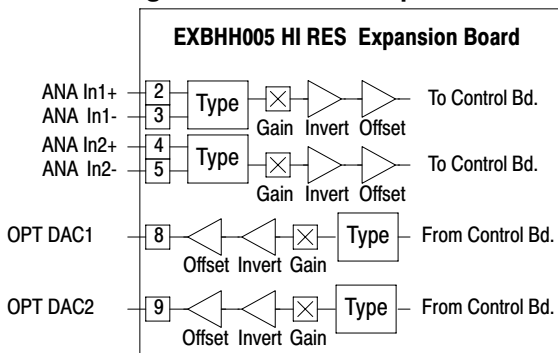
Overview

Programming setup is accomplished using the keypad of the control. General programming steps are defined in the appropriate control manual.

To install the expansion board see Section 3 of this manual.

1. Install EXBHH005 expansion board. If the board is in **Slot 1**, the **OP1** inputs and outputs are used. If the board is in **Slot 2**, the **OP2** inputs and outputs are used.
2. Set the Level 1 Input Setup block Command Source (P#1402) to select the desired analog input to use.
3. Refer to Figure 4-1 and the Optional Analog Parameter tables and set the parameter values as desired for each input or output used.

Figure 4-1 Relationship of Parameters



Hi RES Parameters

Level 1, Input Setup Block

Parameter	P#	Adjustable Range	Factory	User Setting
COMMAND SOURCE	1402	3-KEYPAD 4-NETWORK 5- Opt1 Ana In1 6- Opt1 Ana In2 7- Opt2 Ana In1 8- Opt2 Ana In2 9-EXB PULSE FOLL	1	
OP1 ANA IN1 TYPE	1451	0-None, 1-(-10V to+10V), 2-(-5V to+5V), 3-(4to20mA), 4-(0to20mA)	1	
OP1 ANA IN1 Invert	1452	0-OFF, 1-ON	0	
OP1 ANA IN1 Gain	1453	0.0% TO 300.0%	100.0	
OP1 ANA IN1 Offset	1454	-100.0% TO 100.0%	0.0	
OP1 ANA IN1 Deadband	1455	0.0% TO 75.0%	0.0	
OP1 ANA IN1 Filter	1456	0 (No Filter) TO 6 (Max Filter)	0	
OP1 ANA IN2 TYPE	1457	0-None, 1-(-10V to+10V), 2-(-5V to+5V), 3-(4to20mA), 4-(0to20mA)	1	
OP1 ANA IN2 Invert	1458	0-OFF, 1-ON	0	
OP1 ANA IN2 Gain	1459	0.0% TO 300.0%	100.0	
OP1 ANA IN2 Offset	1460	-100.0% TO 100.0%	0.0	
OP1 ANA IN1 Deadband	1461	0.0% TO 75.0%	0.0	
OP1 ANA IN1 Filter	1462	0 (No Filter) TO 6 (Max Filter)	0	

OP1 parameter selections (P#1451 to 1462) are available if the expansion board is installed in Slot1 of the Control.

Hi RES Parameters Continued

Level 1, Input Setup Block Continued

Parameter	P#	Adjustable Range	Factory	User Setting
OP2 ANA IN1 TYPE	1463	0-None, 1-(-10V to+10V), 2-(-5V to+5V), 3-(4to20mA), 4-(0to20mA)	1	
OP2 ANA IN1 Invert	1464	0-OFF, 1-ON	0	
OP2 ANA IN1 Gain	1465	0.0% TO 300.0%	100.0	
OP2 ANA IN1 Offset	1466	-100.0% TO 100.0%	0.0	
OP2 ANA IN1 Deadband	1467	0.0% TO 75.0%	0.0	
OP2 ANA IN1 Filter	1468	0 (No Filter) TO 6 (Max Filter)	0	
OP2 ANA IN2 TYPE	1469	0-None, 1-(-10V to+10V), 2-(-5V to+5V), 3-(4to20mA), 4-(0to20mA)	1	
OP2 ANA IN2 Invert	1470	0-OFF, 1-ON	0	
OP2 ANA IN2 Gain	1471	0.0% TO 300.0%	100.0	
OP2 ANA IN2 Offset	1472	-100.0% TO 100.0%	0.0	
OP2 ANA IN1 Deadband	1473	0.0% TO 75.0%	0.0	
OP2 ANA IN1 Filter	1474	0 (No Filter) TO 6 (Max Filter)	0	

OP2 parameter selections (P#1463 to 1474) are available if the expansion board is installed in Slot2 of the Control.

Hi RES Parameters Continued

Level 1, Output Setup Block

Parameter	P#	Adjustable Range	Factory	User Setting
ANA OUT1 Signal	1511	18-CONTROL TEMP 19-ANALOG INPUT1 20-ANALOG INPUT2 21- OPT1 ANA IN1 22- OPT1 ANA IN2 23- OPT2 ANA IN1 24- OPT2 ANA IN2	29	
ANA OUT2 Signal	1514	18-CONTROL TEMP 19-ANALOG INPUT1 20-ANALOG INPUT2 21- OPT1 ANA IN1 22- OPT1 ANA IN2 23- OPT2 ANA IN1 24- OPT2 ANA IN2	3	
OP1 ANAOUT1 Type	1551	0-(0V to+10V), 1-(0V to+5V), 2-(-10V to+10V), 3-(-5V to+5V), 4-(4to20mA), 5-(0to20mA)	2	
OP1 ANAOUT2 Type	1554		2	
OP1 ANAOUT1 Gain	1553	0 - 200.0%	100.0	
OP1 ANAOUT2 Gain	1556		100.0	

Hi RES Parameters Continued

Level 1, Output Setup Block Continued

Parameter	P#	Adjustable Range	Factory	User Setting
OP1 ANAOUT1 Signal	1552	0-SPEED REF 1-SPEED DEMAND 2-ACC/DEC 3-MOT OR CURRENT 4-MAG CURRENT 5-MAG CURRENT COMMAND 6-LOAD CURRENT 7-LOAD CURRENT COMMAND 8-POWER 9-PH1 CURRENT 10-PH2 CURRENT 11-PH3 CURRENT 12-MOT OR VOLTAGE 13-VD DEMAND 14-VQ DEMAND 15-BUS VOLTAGE	29	
OP1 ANAOUT2 Signal	1555	16-ABS TORQUE 17-T ORQUE 18-CONTROL TEMP 19-ANALOG INPUT1 20-ANALOG INPUT2 21-OPT1 ANA IN1 22-OPT1 ANA IN2 23-OPT2 ANA IN1 24-OPT2 ANA IN2 25-PROC FEEDFORWARD 26-PROC FEEDBACK 27-PROC SETPOINT 28-ELECTRIC ANGLE 29-ABS SPEED 30-VELOCITY 31-NETWORK 32-CALIBRATE	29	

OP1 parameter selections (P#1551 to 1556) are available if the expansion board is installed in Slot1 of the Control.

Hi RES Parameters Continued

Level 1, Output Setup Block Continued

Parameter	P#	Adjustable Range	Factory	User Setting
OP2 ANAOUT1 Type	1557	0-(0V to+10V), 1-(0V to+5V), 2-(-10V to+10V),	2	
OP2 ANAOUT2 Type	1560	3-(-5V to+5V), 4-(4to20mA), 5-(0to20mA)	2	
OP2 ANAOUT1 Gain	1559	0 - 200.0%	100.0	
OP2 ANAOUT2 Gain	1562		100.0	

Hi RES Parameters Continued

Level 1, Output Setup Block Continued

Parameter	P#	Adjustable Range	Factory	User Setting
OP2 ANAOUT1 Signal	1558	0-SPEED REF 1-SPEED DEMAND 2-ACC/DEC 3-MOT OR CURRENT 4-MAG CURRENT 5-MAG CURRENT COMMAND 6-LOAD CURRENT 7-LOAD CURRENT COMMAND 8-POWER 9-PH1 CURRENT 10-PH2 CURRENT 11-PH3 CURRENT 12-MOT OR VOLTAGE 13-VD DEMAND 14-VQ DEMAND 15-BUS VOLTAGE	29	
OP2 ANAOUT2 Signal	1561	16-ABS TORQUE 17-T ORQUE 18-CONTROL TEMP 19-ANALOG INPUT1 20-ANALOG INPUT2 21-OPT1 ANA IN1 22-OPT1 ANA IN2 23-OPT2 ANA IN1 24-OPT2 ANA IN2 25-PROC FEEDFORWARD 26-PROC FEEDBACK 27-PROC SETPOINT 28-ELECTRIC ANGLE 29-ABS SPEED 30-VELOCITY 31-NETWORK 32-CALIBRATE	29	

OP2 parameter selections (P#1557 to 1562) are available if the expansion board is installed in Slot2 of the Control.

Hi RES Parameters Continued

Level 2, Miscellaneous Block

Parameter	P#	Adjustable Range	Factory	User Setting
Filter Source	2310	4-Analog IN2, 5-Opt1 ANA1, 6-Opt1 ANA2, 7-Opt2 ANA1, 8-Opt2 ANA2	0	

Level 2, Process Control Block Continued

Parameter	P#	Adjustable Range	Factory	User Setting
Process Feedback	2603	5-Network, 6-Opt1 ANA1, 7-Opt1 ANA2, 8-Opt2 ANA1, 9-Opt2 ANA2	0	
Setpoint Source	2604	5-Network, 6-Opt1 ANA1, 7-Opt1 ANA2, 8-Opt2 ANA1, 9-Opt2 ANA2	0	

Section 5 Troubleshooting

Overview

The Main Menu “Diagnostic” option is used to view the diagnostic screen.

Diagnostic Screen

At the keypad, from the Main menu the Diagnostic screens are accessed and the Option Boards display shows what boards are installed and recognized by the software. If the installed board is not displayed on this screen, the connections and software versions should be checked.

If the board is installed in Slot 1, it will be shown as Option 1.

If the board is installed in Slot 2, it will be shown as Option 2.

Installed Option Boards

DIAG	STOP	LOCAL	Press ► or ◀ to go to the next or previous Diagnostic screen.	
OPTION BOARDS				
OPTION 1		Ana Input		Press R to return to previous menu.
OPTION 2		None		
FEEDBACK		None		
EV. LOG	0r	MAIN	Press A to go to Status screen.	

Displays Hi Resolution Analog EXB status: voltage present at each of the Analog Inputs and Outputs.

If the EXB is installed in Slot 1, OP1 is displayed (shown).

If the EXB is installed in Slot 2, OP2 is displayed.

Display	Comments		
DIAG	STOP	LOCAL	Press ► or ◀ to go to the next or previous Diagnostic screen. Press R to return to previous menu. Press A to go to Status screen.
HI RES INPUTS			
OP1 ANA IN1		0.0V	
OP1 ANA IN2		0.0V	
EV. LOG	0r	MAIN	
DIAG	STOP	LOCAL	Press ► or ◀ to go to the next or previous Diagnostic screen. Press R to return to previous menu. Press A to go to Status screen.
HI RES OUTPUTS			
OP1 ANA OUT1		0.0V	
OP1 ANA OUT2		0.0V	
EV. LOG	0r	MAIN	



Baldor District Offices

UNITED STATES

ARIZONA
PHOENIX
4211 S 43RD PLACE
PHOENIX, AZ 85040
PHONE: 602-470-0407
FAX: 602-470-0454

ARKANSAS
CLARKSVILLE
1501 COLLEGE AVE
CLARKSVILLE, TN 37030
PHONE: 476-754-9108
FAX: 476-754-9205

CALIFORNIA
LOS ANGELES
6480 FLOTTIA
COMMERCIAL CA 90040
PHONE: 323-724-6771
FAX: 323-721-9859

HAYWARD
21056 FORBES STREET
HAYWARD, CA 94545
PHONE: 510-785-9900
FAX: 510-786-9910

COLORADO
DENVER
3855 FOREST STREET
DENVER, CO 80227
PHONE: 303-523-0127
FAX: 303-595-3772

9680 PARK MEADOWS DRIVE
SUITE 214
LONE TREE, CO 80134-6739
PHONE: 303-339-9629
FAX: 303-339-9633

CONNECTICUT
WALLINGFORD
65 SOUTH TURNPIKE ROAD
WALLINGFORD, CT 06492
PHONE: 203-269-1354
FAX: 203-269-5485

FLORIDA
TAMPA/PUERTO RICO/
VIRGIN ISLANDS
3606 EAST 11TH AVENUE
TAMPA, FL 33605
PHONE: 813-248-5078
FAX: 813-247-2984

GEORGIA
ATLANTA
62 TECHNOLOGY DR
ALPHARETTA, GA 30005
PHONE: 770-772-7000
FAX: 770-772-7200

5480 MCGINNIS FERRY PLACE
SUITE 133
ALPHARETTA, GA 30005
PHONE: 770-732-4254
FAX: 770-732-4257

ILLINOIS
CHICAGO
1601 FRONTENAC ROAD
NAPERVILLE, IL 60563
PHONE: 630-548-5100
FAX: 630-548-5110

INDIANA
COLUMBUS
3300 Tenth St
COLUMBUS, IN 47201
PHONE: 812-378-2556
FAX: 812-378-2555

INDIANAPOLIS
5525 W. MINNESOTA STREET
INDIANAPOLIS, IN 46241
PHONE: 317-246-5100
FAX: 317-246-5110

IOWA
DES MOINES
1930 DIXON STREET, SUITE C
DES MOINES, IA 50316
PHONE: 515-263-6929
FAX: 515-263-6515

KANSAS
5020 S08 BILLINGS PKWY STE B
LAWRENCE, KS 66049
PHONE: 785-749-4339
FAX: 785-749-4217

MARYLAND
BALTIMORE
6600 SANTA BARBARA RD.
SUITE 22-24
ELURIGE, MD 21075
PHONE: 410-578-2135
FAX: 410-579-2677

MASSACHUSETTS
BOSTON
6 PULLMAN STREET
WORCESTER, MA 01606
PHONE: 508-854-0708
FAX: 508-854-0291

MICHIGAN
DETROIT
33782 STERLING PONDS BLVD.
STERLING HEIGHTS, MI 48312
PHONE: 586-979-9800
FAX: 586-979-9869

GRAND RAPIDS
668 THREE MILE ROAD NW
GRAND RAPIDS, MI 49504
PHONE: 616-785-1784
FAX: 616-785-1788

MINNESOTA
MINNEAPOLIS
21080 134TH AVE. NORTH
ROGERS, MN 55374
PHONE: 763-428-3633
FAX: 763-428-4551

MISSOURI
ST LOUIS
422 INDUSTRIAL DRIVE
MARYLAND HEIGHTS, MO 63043
PHONE: 314-298-1900
FAX: 314-298-1950

KANSAS CITY
1601 BEDFORD AVENUE
NORTH KANSAS CITY, MO 64116
PHONE: 816-587-0272
FAX: 816-587-3735

NEW YORK
AUBURN
ONE ELLIS DRIVE
AUBURN, NY 13021
PHONE: 315-265-3403
FAX: 315-265-9623

NORTH CAROLINA
GREENSBORO
2200 ROTHERWOOD ROAD
GREENSBORO, NC 27405
P O BOX 19500
GREENSBORO, NC 27416
PHONE: 336-272-6104
FAX: 336-273-9568

OHIO
CINCINNATI
2929 CRESCENTVILLE ROAD
WEST CHESTER, OH 45099
PHONE: 513-771-2600
FAX: 513-772-2219

CLEVELAND
8929 FREEWAY DRIVE
MADISONIA, OH 44266
PHONE: 330-458-4777
FAX: 330-458-4778

29525 CHAGRIN BLVD SUITE 208
CLEVELAND, OH 44122
PHONE: 216-495-8096
FAX: 216-304-4172

OKLAHOMA
TULSA
2 EAST DAWES
BOX 667 74008
PHONE: 918-366-6320
FAX: 918-366-9338

OREGON
PORTLAND
20393 SW AVERY COURT
TUALATIN, OR 97062
PHONE: 503-691-9010
FAX: 503-691-8012

PENNSYLVANIA
KING OF PRUSSIA
1000 FIRST AVE STE 400
KING OF PRUSSIA, PA 19406
PHONE: 610-788-8018
FAX: 610-572-6759

PHILADELPHIA
1035 THOMAS BUSCH
MEMORIAL HIGHWAY
PENNSAUKEN, NJ 08110
PHONE: 856-661-1442
FAX: 856-663-6363

PITTSBURGH
150 PROMINENCE DRIVE
NEW KENSINGTON, PA 15068
PHONE: 724-889-0092
FAX: 724-889-0094

TENNESSEE
MEMPHIS
4000 WINCHESTER ROAD
MEMPHIS, TN 38118
PHONE: 901-365-3020
FAX: 901-365-3914

TEXAS
ADDISON
3639 BELT LINE ROAD #250
ADDISON, TX 75001
PHONE: 972-499-7748, 499-7747
FAX: 972-242-1505

HOUSTON
4647 PINE TIMBERS
SUITE 25
HOUSTON, TX 77041
PHONE: 713-865-1068
FAX: 713-860-4540

DALLAS
3040 QUEBEC
DALLAS, TX 75247
PHONE: 214-634-7271
FAX: 214-634-8874

UTAH
SALT LAKE CITY
2230 SOUTH MAIN STREET
SALT LAKE CITY, UT 84115
PHONE: 801-832-8127
FAX: 801-832-8911

VIRGINIA
RICHMOND
6787 FOREST HILL AVE STE 305
RICHMOND, VA 23226
PHONE: 804-545-6848
FAX: 804-545-6840

WASHINGTON
KIRKLAND, WA
553 KIRKLAND WAY STE 205
KIRKLAND, WA 98033
PHONE: 425-952-0000
FAX: 775-355-8019

WISCONSIN
MILWAUKEE
2725 SOUTH 163RD STREET
SUITE 170
NEW BERLIN, WI 53151
PHONE: 262-384-6940
FAX: 262-784-1215

WAUKESHA
N14 W23777 STONE RIDGE DRIVE
SUITE 170
WAUKESHA, WI 53188
PHONE: 262-347-2000
FAX: 262-437-0258

INTERNATIONAL SALES
FORT SMITH, AR
P O BOX 2400
FORT SMITH, AR 72602
PHONE: 479-646-4711
FAX: 479-648-5695

CANADA
EDMONTON, ALBERTA
4053 92 STREET
EDMONTON, ALBERTA T6E 6R8
PHONE: 780-434-4900
FAX: 780-434-4900

MISSISSAUGA, ONTARIO
244 BRITANNIA ROAD EAST
MISSISSAUGA, ONTARIO L4Z 1S6
PHONE: 905-860-5110
FAX: 905-860-5540

OKAYVILLE, ONTARIO
2750 COVENTRY ROAD
OKAYVILLE, ONTARIO L6H 6R1
PHONE: 905-629-3301
FAX: 905-629-3302

DORVAL, QUEBEC
95 RUE LINDESB
DORVAL, QUEBEC H9P 2S6
PHONE: 514-422-8818
FAX: 514-422-8862

MONTREAL, QUEBEC
1844 WILLIAM STREET
MONTREAL, QUEBEC H3J 1R5
PHONE: 514-933-2711
FAX: 514-933-8639

VANCOUVER
BRITISH COLUMBIA
1338 KEBET WAY
PORT COQUITLAM
BRITISH COLUMBIA V3C 5M5
PHONE: 604-421-2822
FAX: 604-421-3113

WINNIPEG, MANITOBA
54 PRINCESS STREET
WINNIPEG, MANITOBA R3B 1K2
PHONE: 204-942-5205
FAX: 204-956-4251

AUSTRALIA
UNIT 3 & STANTON ROAD
SEVEN HILLS, NSW 2147 AUSTRALIA
PHONE: (61) 2 9674 5455
FAX: (61) 2 9674 2495

UNIT 8 & 5 KELLETTS ROAD
DOWVILLE, VICTORIA, 3178
AUSTRALIA
PHONE: (61) 3 9753 4355
FAX: (61) 3 9753 4386

EL SALVADOR
RESIDENCIAL PINARES DE SUZUA
POL 15 844.
NVA SAN SALVADOR, EL SALVADOR
PHONE: +503 2298-1519
FAX: +503 2298-1518

CHILE
LUIS THAYER OJEDA 166,
OF 402 - PROVIDENCIA
SANTO DOMINGO, CHILE
PHONE: 56-2-290-0762
FAX: 56-2-290-0762

CHINA
ROOM NO. 8-421
JIAHUA BUSINESS CENTER
808 HONG QIAO ROAD
SHANGHAI 200030, CHINA
PHONE: (86-21) 6447 3080
FAX: (86-21) 6407 8620

UNIT 905, 9TH FLOOR
TOWER B WANDA PLAZA
NO. 13, JIANGSU ROAD,
CHAOYANG DISTRICT
BEIJING, 100022, CHINA
PHONE: +86 (010) 58205516
FAX: +86 (010) 58204231

GERMANY
DIESELSTRASSE 22
D-85551 KIRCHHEIM
MUNICH, GERMANY
PHONE: +49 89 90 5080
FAX: +49 89 90 50 8492

INDIA
14 COMMERCIAL AVENUE
MAHAGENSHI COLONY
PAUD ROAD PUNE, IN-411038
MAHARASHTRA, INDIA
PHONE: 91 20 25452711, 25452718
FAX: 91 20 25425719

ITALY
BALDOR ASR AG
SUCURSIALE DI MENDRISIO
VIA BORMIONI, 20
CH-6850 MENDRISIO
SWITZERLAND
PHONE: 0041 91 630 60 90
FAX: 0041 91 630 26 33

JAPAN
DIA BLDG 802,
2-2-1 TSURUYA-YCHO,
KANAGAWA-KU,
YOKOHAMA, 221-0835, JAPAN
PHONE: 81-45-412-4506
FAX: 81-45-412-4507

KOREA
SUCC 209-37
INCHEON INDUSTRIAL GOODS
CIRCULATING CENTER
SONGDEONG 1-SONG, DONG-GU
INCHEON, KOREA, 401-705
PHONE: (82) 32 588 3253
FAX: (82) 32 588 3254

MEXICO
RICAL GUANAJUATO
KM 2.0 BLVD AEROPUERTO
LEON 37545, GUANAJUATO, MEXICO
PHONE: 52 477 781 2030
FAX: 52 477 781 2010

MIDDLE EAST & NORTH AFRICA
VSE INTERNATIONAL CORP.
P. O. BOX 5518
SUCURSIALE S. L. 60069-5618
PHONE: 947 590 5547
FAX: 947 590 5567

SINGAPORE
51 KARI BURK ROAD 2
14 B WAREHOUSE COMPLEX
SINGAPORE 417963
PHONE: (65) 6744 2572
FAX: (65) 6747 1708

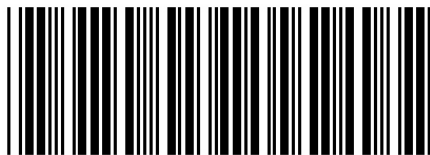
PANAMA
AVE RICARDO J ALFARO
EDIFICIO SUN TOWERS MALL
PISO 2, LOCAL 25
CIUDAD DE PANAMA, PANAMA
PHONE: +507 296-5155
FAX: +507 261-5355

SWITZERLAND
POSTFACH 73
SCHULTZENSTRASSE 59
CH-825 FEJERTHALLEN
SWITZERLAND
PHONE: +41 52 647 4100
FAX: +41 52 699 2394

TAINAN
IF. NO. 126 WENSHAN 3RD STREET,
NANTUN DISTRICT,
TAICHUNG CITY 408
TAIWAN R.O.C.
PHONE: (886) 4 238 0425
FAX: (886) 4 238 0463

UNITED KINGDOM
6 BRISTOL DISTRIBUTION PARK
HAWKLEY DRIVE
BRISTOL, BS32 6BF U.K.
PHONE: +44 1454 860001
FAX: +44 1454 860001

VENEZUELA
AV. ROMAL OTA EL MILAGRO, IURB.
CARACAS NORTE
CARACAS, 1070
PHONE: 58-414-1186263
FAX: 58-414-322-5790



* 7 5 4 - 2 0 6 *



BALDOR ELECTRIC COMPANY
World Headquarters
P.O. Box 2400 Fort Smith, AR 72901-2400
(479) 646-4711 Fax (479) 648-5792
www.baldor.com

© 2005 Baldor Electric
2/06

Printed in USA
MN754

Free Manuals Download Website

<http://myh66.com>

<http://usermanuals.us>

<http://www.somanuals.com>

<http://www.4manuals.cc>

<http://www.manual-lib.com>

<http://www.404manual.com>

<http://www.luxmanual.com>

<http://aubethermostatmanual.com>

Golf course search by state

<http://golfingnear.com>

Email search by domain

<http://emailbydomain.com>

Auto manuals search

<http://auto.somanuals.com>

TV manuals search

<http://tv.somanuals.com>