

2

## OPTIONAL ACCESSORIES

## INTAKE

**HOSE COUPLER KIT 8" (203mm) TR  
P/N 810525** Quick release coupler joins 2 hoses together to increase vacuuming distance and allows hoses to be separated for storage.

**HOSE CONNECTOR KIT 8" (203mm) TR  
P/N 810524**  
For permanently connecting 2 hoses together to increase vacuuming distance .

## EXHAUST

## ALL MODELS

**EXHAUST EXTENSION KIT P/N 810637**  
Increases exhaust height 11"(280mm) for loading debris into elevated locations.

**EXHAUST HOSE KIT P/N 811206**  
[6"(152mm) x 10' (3.0m)] Quick release coupler and hose increases exhaust distance.

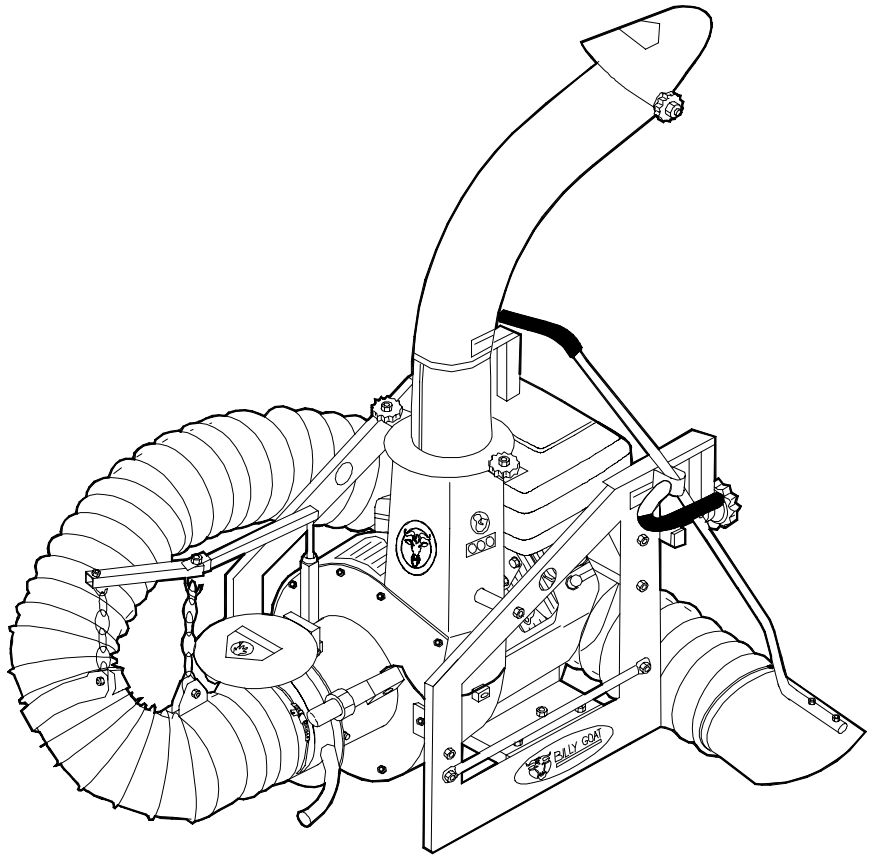
**EXHAUST HOSE COUPLER KIT P/N 811207**  
[6"(152mm)] Quick release coupler joins 2 hoses together to increase exhaust distance and allows hoses to be separated for storage.

**EXHAUST HOSE CONNECTOR KIT  
P/N 800336** [6"(152mm)] Permanently joins 2 exhaust hoses together to increase exhaust distance.

**PANEL FILTER KIT P/N 810584** Provides air filter panel for use on truck and trailer mounted debris enclosures.

**PORTABLE DEBRIS BAG P/N 810660**  
1.3 yds.<sup>3</sup> (1.0m<sup>3</sup>) or 28.4 bushels (1000L).  
For portable use. Several bags can be filled and left for later pickup.

1



*Thank You for Selecting*  
**The Powerful TRUCK LOADER VACUUM**

# Operator Owner's Manual

**HTR1803VEU, TR1304HEU, TR1104EU**

3

## Specifications

	HTR1803VEU	TR1304HEU	TR1104EU
<b>ENGINE: H.P.</b>	18 H.P. TWIN OHV VANGUARD GUARD	13.0 HP (10.68 kW)	11.0 HP (9.04 kW)
<b>ENGINE: WEIGHT</b>	79 lbs. (35.83 kg)	68.4 lbs. (31 kg)	52.0 lbs. (23.6 kg)
<b>ENGINE: TYPE</b>	Briggs & Stratton 4 Cycle IC Twin	HONDA 4 cycle	B & S 4 cycle Intek I/C
<b>ENGINE: FUEL CAPACITY</b>	9 qt. (8.52 L), Float feed carb. & fuel pump	6.9 qt. (6.0 L)	4.0 qt. (3.8 L)
<b>ENGINE: OIL CAPACITY</b>	1.75 qt. (1.66 L), Oil pump w/filter	1.16 qt. (1.1 L)	0.875 qt. (0.8 L)
<b>UNIT TOTAL WEIGHT</b>	263 lb (119.3 kg)	229 lb (108.9 kg)	224 lb (101.6 kg)
<b>TOTAL SHIPPING WEIGHT:</b>	291 lb (132.0 kg)	255 lb (115.7 kg)	250 lb (113.4 kg)

UNIT SIZE: OVERALL LENGTH: HTR 36.5"(0.93m) / TR 35"(0.89M) OVERALL WIDTH: 24.25" (0.62m) OVERALL HEIGHT: 66" (1.68m)

# IN THE INTEREST OF SAFETY



**BEFORE STARTING ENGINE, READ AND UNDERSTAND THE "ENTIRE OPERATOR'S MANUAL & ENGINE MANUAL."**



**THIS SYMBOL MEANS WARNING OR CAUTION. DEATH, PERSONAL INJURY AND/OR PROPERTY DAMAGE MAY OCCUR UNLESS INSTRUCTIONS ARE FOLLOWED CAREFULLY.**



## WARNING!

The engine exhaust from this product contains chemicals known to the State of California to cause cancer, birth defects or other reproductive harm.

## WARNING: DO NOT



1. **DO NOT** run engine in an enclosed area. Exhaust gases contain carbon monoxide, an odorless and deadly poison.

2. **DO NOT** place hands or feet near moving or rotating parts.

3. **DO NOT** store, spill or use gasoline near an open flame, or devices such as a stove, furnace, or water heater which use a pilot light or devices which can create a spark.

4. **DO NOT** refuel indoors where area is not well ventilated. Outdoor refueling is recommended.

5. **DO NOT** fill fuel tank while engine is running. Allow engine to cool for 2 minutes before refueling. Store fuel in approved safety containers.

6. **DO NOT** remove fuel tank cap while engine is running.

7. **DO NOT** operate engine when smell of gasoline is present or other explosive conditions exist.

8. **DO NOT** operate engine if gasoline is spilled. Move machine away from the spill and avoid creating any ignition until the gasoline has evaporated.

9. **DO NOT** transport unit with fuel in tank.

10. **DO NOT** smoke when filling fuel tank.

11. **DO NOT** choke carburetor to stop engine. Whenever possible, gradually reduce engine speed before stopping.

12. **DO NOT** run engine at excessive speeds. This may result in injury & /or damage to unit.

13. **DO NOT** tamper with governor springs, governor links or other parts which may change the governed engine speed.

14. **DO NOT** tamper with the engine speed selected by the engine manufacturer.

15. **DO NOT** check for spark with spark plug or spark plug wire removed. Use an approved tester.

16. **DO NOT** crank engine with spark plug removed. If engine is flooded, place throttle in "FAST" position and crank until engine starts.

17. **DO NOT** strike flywheel with a hard object or metal tool as this may cause flywheel to shatter in operation. Use proper tools to service engine.

18. **DO NOT** operate engine without a muffler. Inspect periodically and replace, if necessary. If engine is equipped with muffler deflector, inspect periodically and replace, if necessary, with correct deflector.

19. **DO NOT** operate engine with an accumulation of grass, leaves, dirt or other combustible material in the muffler area.

20. **DO NOT** use this engine on any forest covered, brush covered, or grass covered unimproved land unless a spark arrester is installed on the muffler. The arrester must be maintained in effective working order by the operator. In the State of California the above is required by law (Section 4442 of the California Public Resources Code). Other states may have similar laws. Federal laws apply on federal lands.

21. **DO NOT** touch hot muffler, cylinder, or fins because contact may cause burns.

22. **DO NOT** run engine without air cleaner or air cleaner cover.

23. **DO NOT** operate during excessive vibration!

24. **DO NOT** leave machine unattended while in operation.

25. **DO NOT** park machine on a steep grade or slope.

## WARNING: DO



1. **ALWAYS DO** remove the wire from the spark plug when servicing the engine or equipment TO PREVENT ACCIDENTAL STARTING.

2. **DO** keep cylinder fins and governor parts free of grass and other debris which can affect engine speed.

3. **DO** pull starter cord slowly until resistance is felt. Then pull cord rapidly to avoid kickback and prevent hand or arm injury.

4. **DO** examine muffler periodically to be sure it is functioning effectively. A worn or leaking muffler should be repaired or replaced as necessary.

5. **DO** use fresh gasoline. Stale fuel can gum carburetor and cause leakage.

6. **DO** check fuel lines and fittings frequently for cracks or leaks. Replace if necessary

7. **Follow** engine manufacturer operating and maintenance instructions.

8. **Inspect** machine and work area before starting unit.

## 6 TABLE OF CONTENTS

SAFETY INSTRUCTIONS	2
GENERAL SAFETY	3
ASSEMBLY	3
PARTS BAG & CONTROLS	4
LABELS	4
OPERATION	5 - 7
MAINTENANCE	8 - 9
PARTS DRAWING & LIST	10 - 12
TROUBLESHOOTING	12
WARRANTY	12

7

## SOUND

Sound tests conducted were in accordance with 2000/14/EEC and were performed on 04/13/2004 under the conditions listed:

**NOTE:** Sound power level listed is the highest value for any model in this manual. Please refer to serial plate on the unit for the sound power level for your model.

Sound level of 94 dBA at operator position



# 120 dB

(HTR1803VEU  
MODEL)

GENERAL CONDITION:	Sunny
TEMPERATURE:	50.5° F (10.3° C)
WIND SPEED:	0.5 MPH (0.8 kmh)
WIND DIRECTION:	North West
HUMIDITY:	39 %
BAROMETRIC PRESSURE:	30.18" Hg (767mm Hg)

8

## VIBRATION


VIBRATION LEVEL 0.02g

Vibration levels at the operators handles were measured in the vertical, lateral, and longitudinal directions using calibrated vibration test equipment. Tests were performed on 07/14/94 under the conditions listed:



GENERAL CONDITION:	Sunny
TEMPERATURE:	78° F (23.8° C)
WIND SPEED:	16 MPH (25.7 kmh)
WIND DIRECTION:	South East
HUMIDITY:	62 %
BAROMETRIC PRESSURE:	30.10" Hg (765mm Hg)

# GENERAL SAFETY

*For your safety and the safety of others, these directions should be followed:*

 **Do not operate this machine without first reading owner's manual and engine manufacturer's manual.**

  **Use of Ear Protection is recommended while operating this machine.**

  **Use of Eye and Breathing protection is recommended when using this machine, especially in dry and dusty conditions.**

- **DO NOT** place hands or feet inside nozzle intake opening, near debris outlet or near any moving parts.
- **DO NOT** start engine without hose and exhaust elbow connected firmly in place to housing and exhaust outlet.

- **DO NOT** operate without discharging exhaust into enclosed container.
- **DO NOT** operate during excessive vibration.
- **DO NOT** remove hose until engine has been turned off and has come to a complete stop.
- **DO NOT** operate machine with hose or exhaust elbow removed.
- **DO NOT** use this machine for vacuuming **exclusively** sand, dust, fine dirt, rock, glass, string like material, grain, rags, cans, metal, bark or water.
- **DO NOT** operate this machine on slopes greater than 20%.
- **DO NOT** pick up any hot or burning debris, or any toxic or explosive material.
- **DO NOT** allow children to operate this equipment.

# 10 ASSEMBLY

 **Read all safety and operating instructions before assembling or starting this unit.**

 **PUT OIL IN ENGINE BEFORE STARTING.**

Your Billy Goat is shipped from the factory in one carton and is completely assembled except for the exhaust elbow, nozzle, handle loop for nozzle, hose booms, hose bands, hose coupler, hose clamps and related hardware.

1. **ASSEMBLE** exhaust elbow (item 10), to main unit and firmly tighten knobs (item 90), that are preassembled to main unit.
2. **SECURELY ATTACH** unit to tailgate of a truck or to a trailer, so that the exhaust discharges into an enclosed container.
3. **ATTACH** hose to hose coupler (item 24), using hose clamp (item 60) *NOTE: This unit is equipped with a unidirectional hose. Assemble hose so that interior hose material seams face toward unit.*
4. **ASSEMBLE** hose coupler to housing of main unit and securely tighten knob (item 13), that is preassembled to housing front plate.

5. **ASSEMBLE** nozzle handle loop (item 82), to nozzle handle using screw (item 80), washer (item 6) and lock nut (item 5). Adjust handle loop to desired height and angle and securely tighten in place.
6. **ASSEMBLE** nozzle handle (item 78), to nozzle (item 77), using screws (item 80), washers (item 79), washers (item 4) and lock nuts (item 5).
7. **ATTACH** assembled nozzle to hose using hose clamp (item 60). Before tightening hose clamp, position nozzle handle upward when hose is stretched to prevent twisting load on hose assembly during operation.
8. **ASSEMBLE** tube square boom (item 51), to boom pivot (item 50), using chain loop assembly (item 54), washers (item 4) and lock nut (item 52).
9. **ASSEMBLE** remaining chain loop assembly (item 54), to end of tube square boom (item 51) using washer (item 4) and lock nut (item 52).
10. **SLIDE** boom assembly into square tube on front of housing.
11. **ASSEMBLE** hose bands (item 56) around hose and onto chain loop assemblies on boom assembly using screws (item 55) and lock nuts (item 52) (see ADJUSTING HOSE BOOM on page 5).

# 11 PACKING CHECKLIST

**TR MODELS**

Briggs & Stratton 11 HP

Honda 13 HP

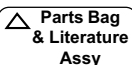
**HTR MODELS**

Briggs & Stratton Vanguard-Twin 18 HP

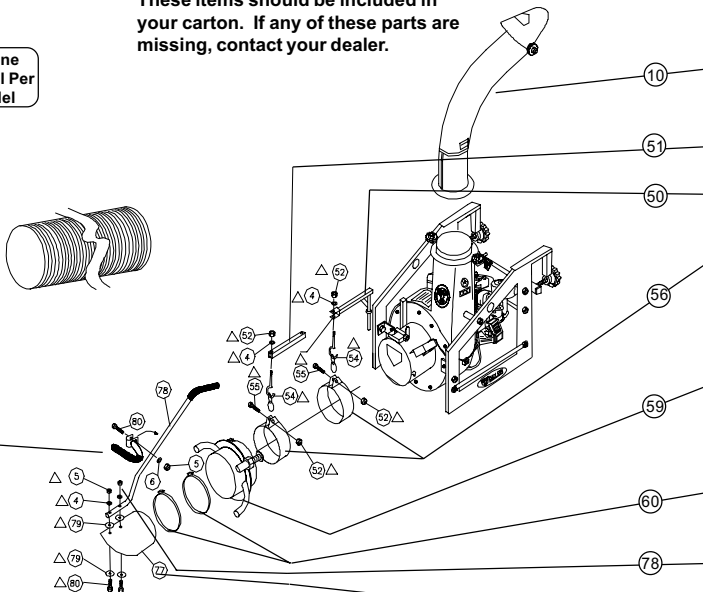
Hose 8"x 12.5' P/N 810523

Handle Loop Nozzle P/N 811019

Parts Bag & Literature Assy P/N 811128

 **Parts Bag & Literature Assy**

These items should be included in your carton. If any of these parts are missing, contact your dealer.



**Boxing Checklist**

Check  Exhaust Elbow 811191

Boom Square Arm 810875

Boom Pivot WA 810870

Band Hose Boom 8" (203mm) 810880 Qty. 2

Coupler Weld Assy. 8"(203mm) 811170

Hose Clamps 8"(203mm) 810566 Qty. 2

Handle Nozzle 811020

Nozzle 8"(203mm) 811007

**12 PARTS BAG & LITERATURE ASSY P/N 811201**

**13 CONTROLS**

- 79** Washer 5/16 Fender 8172020 Qty. 4
- 4** Washer 5/16 SAE 8172008 Qty. 4
- 52** Nut Lock 1/4-20 8160001 Qty. 4
- 5** Nut Lock 5/16-18 8160002 Qty. 3
- 6** Washer 5/16 FLAT CUT 8171003 Qty. 1
- 80** Screw Cap 5/16-18 x 1 1/2 8041030 Qty. 3
- 55** Screw Cap 1/4-20 x 1 3/4 8041009 Qty. 2
- 54** Chain Loop Assy 810878 Qty. 2

Literature Checklist	
Owner's Manual	<input type="checkbox"/> Check <b>Owner's Manual 811202</b>
Literature Parts Bag	<input type="checkbox"/> Check <b>Literature Parts Bag 811203</b>
Literature HTR / TR Accessories	<input type="checkbox"/> Check <b>Literature HTR / TR Accessories 811208</b>
Warranty Card	<input type="checkbox"/> Check <b>Warranty Card 400972</b>
EU Declaration of Conformity & EU Distributor List	<input type="checkbox"/> Check <b>EU Declaration of Conformity &amp; EU Distributor List 811204</b>

### Throttle Controls

**Start position**

Honda Units have frame mounted throttle controls as shown here.

**Stop position**

Briggs Vanguard Units have an engine mounted throttle control.

Engine Stop Switch

**Start position**

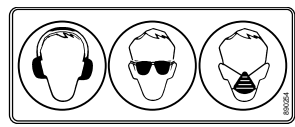
**Stop position**

**14 INSTRUCTION LABELS**

These labels should be included on your Vacuum. If any of these labels are damaged, replace them before putting this equipment into operation. Item and part numbers are given to help in ordering replacement labels..



Label Danger Keep Hands and Feet Away Item 3 Part No.400424  
 Label Danger Flying Material Item No. 19 Part No. 810736  
 Label Read Owner's Manual Item 15 Part No.830301



Label Ear Eye Breathing Item No. 48 Part No. 890254



Label Do Not Fill While Engine Is Hot Item 81 Part No.400268

**CAUTION**  
 READ OWNER'S MANUAL

**USE PROTECTION**

**BEFORE OPERATING, MAKE SURE:**

- EXHAUST ELBOW IS ATTACHED.
- EXHAUST IS DISCHARGING INTO ENCLOSED CONTAINER.
- HOSE IS ATTACHED.
- ALL GUARDS ARE ATTACHED.
- OPERATING INSTRUCTION IS OBTAINED.

**STOP ENGINE AND ALLOW TO COOL BEFORE REFUELING. KEEP ENGINE CLEAN OF DEBRIS.**

INSPECT MACHINE BEFORE EACH USE AND REPLACE ANY WORK AND DAMAGED PARTS. PROPERLY SECURE EQUIPMENT BEFORE TRANSPORTING. NEVER SERVICE UNIT WITHOUT DISCONNECTING SPARK PLUG WIRE. USE ONLY A QUALIFIED MECHANIC TO SERVIC THIS MACHINE. ABRASIVE DEBRIS WILL SHORTEN UNIT LIFE.

Label Caution Item 47 Part No.830138

**WARNING**

Clean debris from all engine surfaces regularly to prevent engine overheating, premature failure, or fire.

Label Warning Engine Overheat Item 49 Part No.811215

**15 ENGINE LABELS**

### Briggs & Stratton Vanguard

**STOP RUN**      **RUN CHOKE**      **FUEL SHUTOFF**

**ENGINE MAINTENANCE**

- CHECK OIL LEVEL 8 HOURS
- CHECK & CLEAN AIR CLEANER 25 HOURS
- CHANGE OIL 50 HOURS
- REPLACE OIL FILTER 100 HOURS
- CLEAN COOLING FINS 100 HOURS

See Operating and Maintenance Instructions

---

### Honda

**OIL ALERT**

WHEN OIL LEVEL LOW, ENGINE STOPS IMMEDIATELY.

READ OWNER'S MANUALS BEFORE OPERATION.  
 LIRE LE MANUEL D'UTILISATEUR AVANT USAGE.  
 VOR INBETRIEBNAHME UNBEDINGT  
 BEDIENUNGSANLEITUNG DURCHLESEN.  
 NO UTILIZAR SIN ANTES NO HABER LEIDO EL MANUAL.

---

### Briggs & Stratton

**ON OFF**      **RUN CHOKE**

**THIS ENGINE EQUIPPED WITH LOW OIL SENSOR, IF ENGINE WILL NOT START, CHECK OIL LEVEL**

**WARNING**

- Read and follow Operating Instructions before running engine.
- Gasoline is flammable. Allow engine to cool at least 2 minutes before fueling.
- Engines emit carbon monoxide, DO NOT run in enclosed area.

# OPERATION

**INTENDED USE:** This machine is designed for vacuuming leaves, grass clippings and other types of organic litter. Debris mixed with cans, bottles and small amounts of sand can be vacuumed; however, it is not this machine's primary purpose. Vacuuming cans, bottles and sand will affect the longevity of your machine.

Do not operate if excessive vibration occurs. If excessive vibration occurs, shut engine off immediately and check for damaged or worn impeller, loose impeller bolt, loose impeller key, loose engine or lodged foreign objects. Note: See parts list for proper impeller bolt torque specifications. (See trouble shooting section on page 12).



Like all mechanical tools, reasonable care must be used when operating machine.

**Inspect machine work area and machine before operating. Make sure that all operators of this equipment are trained in general machine use and safety.**



**PUT OIL IN ENGINE BEFORE STARTING.**

## 16.1 STARTING

**SECURE LOADER TO TAILGATE OR MOUNTING:**



**ENGINE:** See engine manufacturer's instructions for type and amount of oil and gasoline used. Engine must be level when checking and filling oil and gasoline.

**ENGINE SPEED:** Controlled by throttle lever on the frame (18HP Twin on engine). Under normal conditions, operate at minimum throttle to accomplish your current cleaning task.

**FUEL VALVE:** Move fuel valve to "ON" position (when provided on engine).

**INTAKE HOSE:** Must be attached to front plate to start engine.

**CHOKE:** Located on engine near engine throttle panel.

**STOP SWITCH:** Move to on position (when provided).

**THROTTLE:** Move remote throttle control to fast position. Pull starting rope to start engine.

**IF YOUR UNIT FAILS TO START:**

See Troubleshooting on page 12.

## 16.2 VACUUMING OPERATION

**EXHAUST FLAPPER:** Discharging into enclosed container, position exhaust flapper to desired opening and secure adjustment knob before starting engine. NOTE: An enclosed container must capture all debris delivered into it preventing any debris from blowing back onto unit's engine (see page 1 optional accessories).

**NOZZLE:** With machine running and fully assembled, move nozzle in sweeping motions over debris. For maximum pickup, move nozzle close to debris, but without blocking air flow into the nozzle (see figure 1). **NOTE:** Never bury nozzle into debris.

## 16.6 HOSE OPERATION TIPS

**THE HOSE IS A REPLACEABLE WEAR ITEM.**

**FOR BEST HOSE OPERATION RESULTS, FOLLOW THESE RECOMMENDATIONS.**

Keep hose as straight as possible during operation for best pick-up and to avoid clogs. Avoid sharp bends in hose which will reduce efficiency and may promote clogs.

**NEVER DRAG HOSE.** Always remove and store hose before transporting unit.

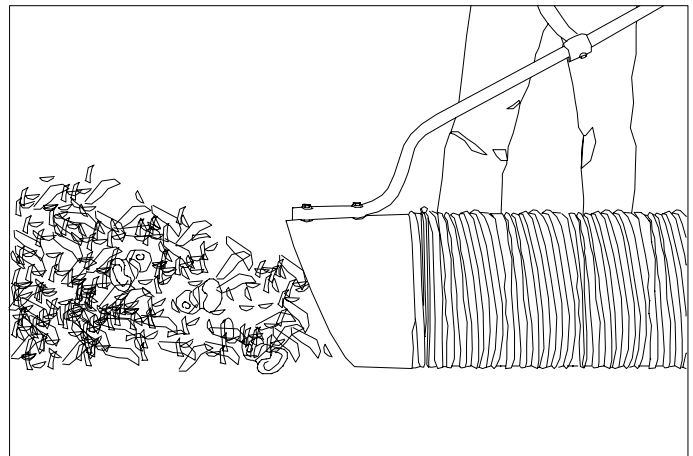


fig. 1

## ADJUSTING HOSE BOOM:

Properly adjusting the boom will prevent most hose clogs from occurring and will give optimum vacuum performance by keeping hose straight next to housing (see fig. 2).

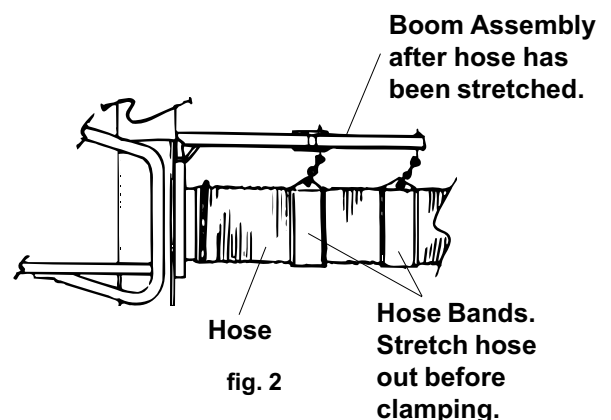


fig. 2

**UNCLOGGING A CLOGGED HOSE:**

With engine running and unit secured to tailgate, fully stretch hose in a straight line to dislodge the clog. If the clog will not clear, turn unit off, and allow engine to come to a complete stop. Remove hose and manually clear hose clog.

**UNCLOGGING A CLOGGED HOUSING OR EXHAUST ELBOW:**

Turn engine off and wait for impeller to come to a complete stop. Disconnect spark plug wire.

**Danger**, the clog may contain sharp materials.

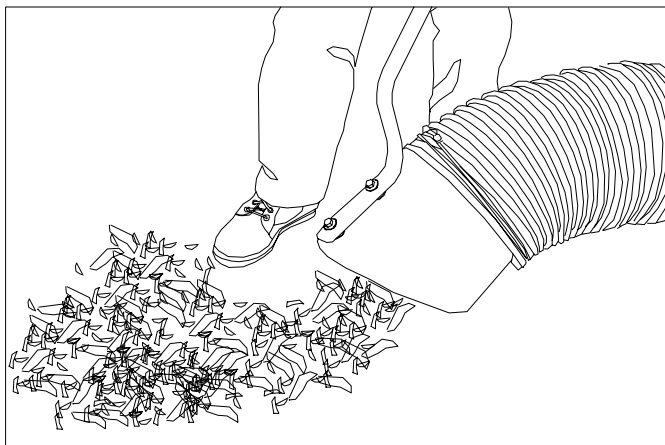


Wearing durable gloves, clear the clog.

Reconnect spark plug wire.

**HOSE LIFE:**

To increase hose life, periodically rotate hose and reposition nozzle and coupler on front plate of unit. This increases hose life by keeping hose from wearing only on one side.

**HEAVY DEBRIS REMOVAL****TILT NOZZLE FORWARD TO PICK UP DIFFICULT DEBRIS.**

## 16.4

## HANDLING &amp; TRANSPORTING:

**ALWAYS REMOVE LOADER FROM TAILGATE OR MOUNTING BEFORE TRANSPORTING OR OPENING TAILGATE.**


Using two people to lift machine is recommended. Lift holding the rear handle and front of frame. Secure in place during transport.

**HOSE: DO NOT** drag the hose with vehicle.


## 16.5

## STORAGE


Turn fuel supply off when unit is not in use.

 Never store engine indoors or in enclosed poorly ventilated areas with fuel in tank, where fuel fumes may reach an open flame, spark or pilot light, as on a furnace, water heater, clothes dryer or other gas appliance.

**If engine is to be unused for 30 days or more, prepare as follows:**

 Be sure engine is cool. Do not smoke. Remove all gasoline from carburetor and fuel tank to prevent gum deposits from forming on these parts and causing possible malfunction of engine. Drain fuel outdoors, into an approved container, away from open flame. Run engine until fuel tank is empty and engine runs out of gasoline.

**NOTE:** Fuel stabilizer (such as Sta-Bil) is an acceptable alternative in minimizing the formation of fuel gum deposits during storage. Add stabilizer to gasoline in fuel tank or storage container. Always follow mix ratio found on stabilizer container. Run engine at least 10 min. after adding stabilizer to allow it to reach the carburetor.

 **HOSE STORAGE:** Storing hose in a covered area, out of sunlight and heat will prolong hose life. Do not store hose where it could be stepped on or where other objects could crush or damage hose.

# MAINTENANCE



Use only a qualified mechanic for any adjustments, disassembly or any kind of repair .



**WARNING: TO AVOID PERSONAL INJURY, ALWAYS TURN MACHINE OFF, MAKE SURE ALL MOVING PARTS COME TO A COMPLETE STOP.**



**DISCONNECT SPARK PLUG WIRE BEFORE SERVICING UNIT.**



ENGINE: See engine manufacturer operator's instructions.



**RECONNECT SPARK PLUG WIRE, GUARDS AND HOSE BEFORE STARTING ENGINE.**

Remove and Service foam air cleaner and inner air filter every 25 hours of use or every 10 hours or less for extremely dusty conditions (see engine manual).

Keep engine and engine cooling fins clean from dust and debris build-up.

Replace any worn or damaged parts as required.

**DO NOT** operate if excessive vibration occurs. If excessive vibration occurs, shut engine off immediately. Remove spark plug wire and check for damaged impeller, loose impeller bolt, loose impeller key or lodged foreign objects. Refer to parts list (item 16) on page 11 for proper torque specifications.

## ENGINE

When servicing engine refer to specific manufacturers engine owner's manual. All engine warranty is covered by the specific engine manufacturer. If your engine requires warranty or other repair work contact your local servicing engine dealer. When contacting a dealer for service it is a good idea to have your engine model number available for reference(See table page 11). If you can not locate a servicing dealer in your area you can contact the manufacturers national service organization.

To reach:

**Briggs & Stratton:** 800-233-3723

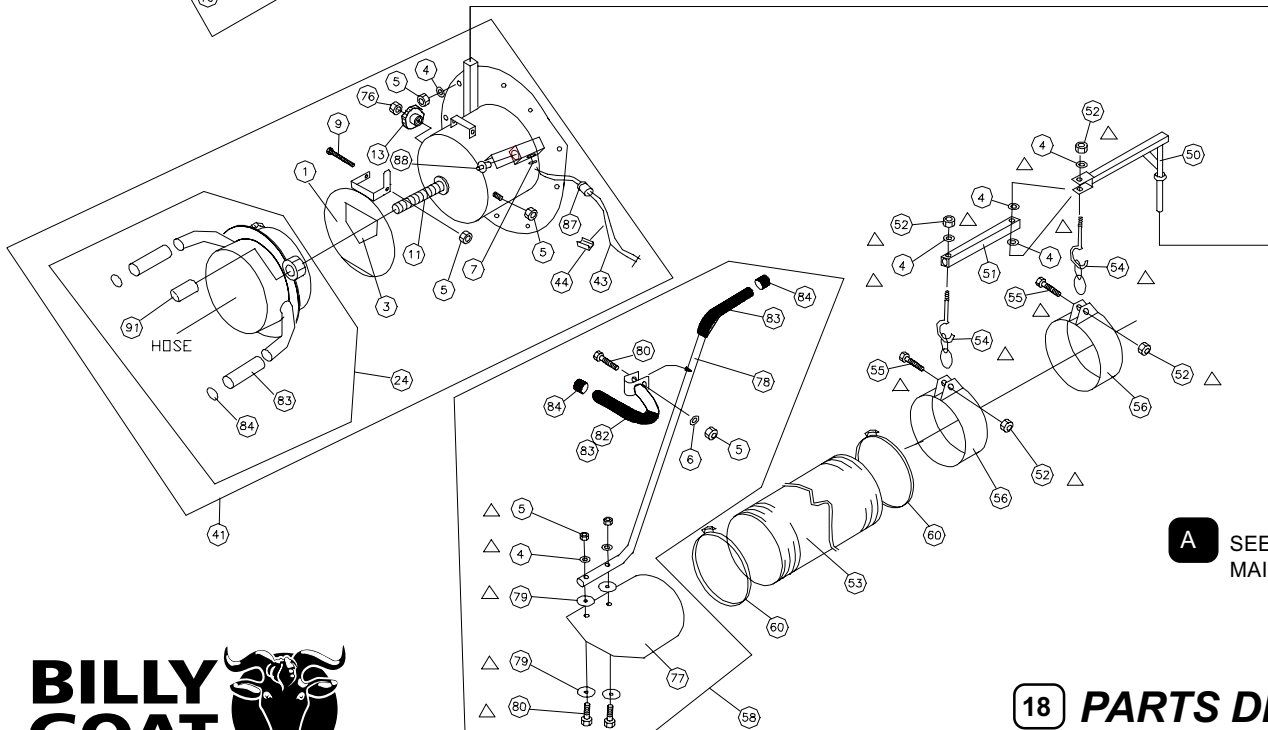
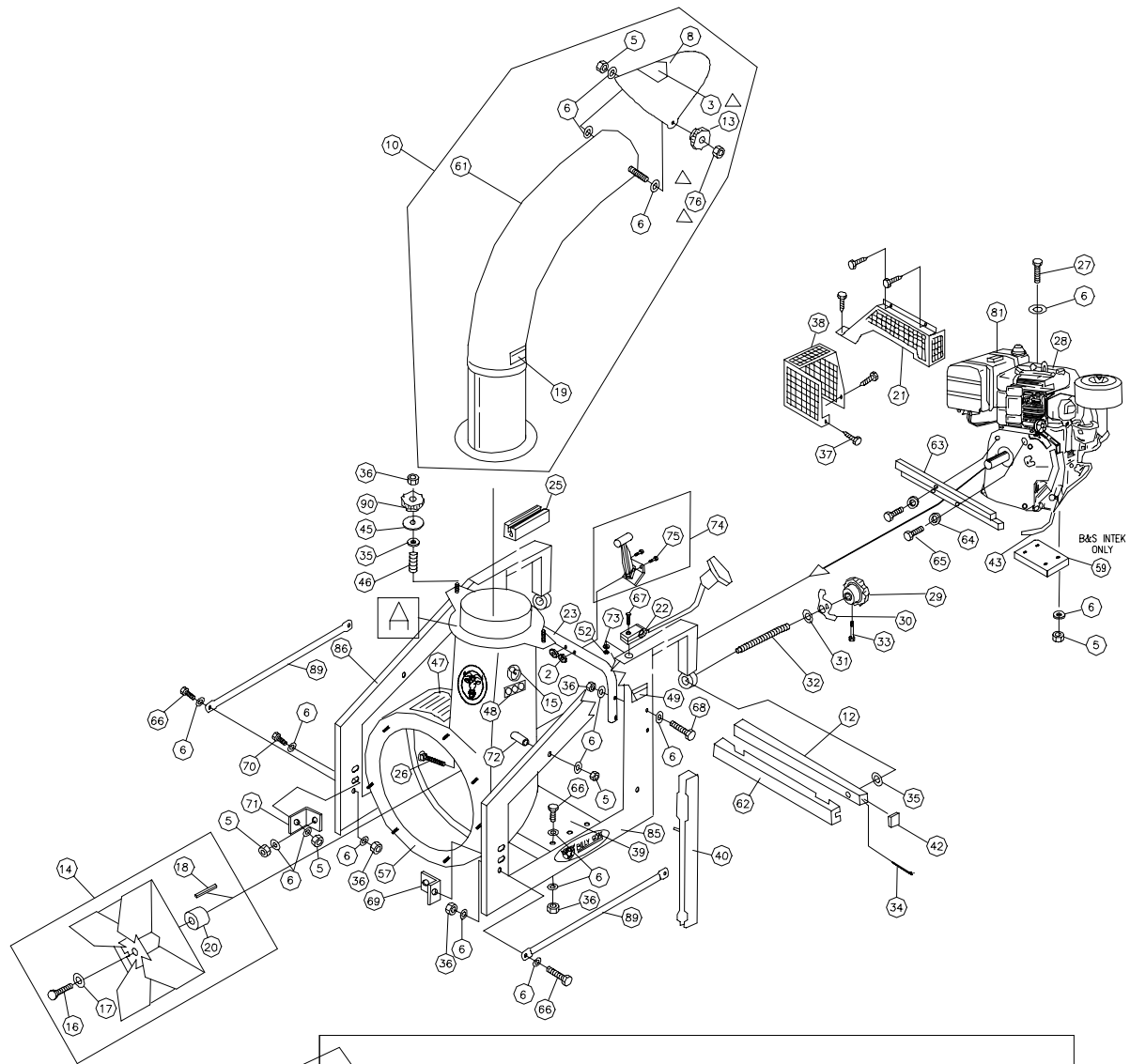
**American Honda:** 800-426-7701

## IMPELLER REMOVAL

1. Wait for engine to cool and disconnect spark plug.
2. Disconnect hose from unit.
3. Remove boom assembly.
4. Remove cable assy. interlock (item 43), from front plate of assembly (item 41).
5. Remove front plate assembly (item 41).
6. Remove impeller bolt (item 16) and lock washer (item 17).
7. Pull the impeller outward. If impeller slides freely, proceed to (steps 10 to 14 for TR units or to step 14 for HTR units). If not, complete steps 8 thru 9 as required.
8. Place two crowbars between impeller and housing on opposite sides. Pry impeller away from engine until it loosens. *Using a penetrating oil can help loosen a stuck impeller.*
9. If the impeller does not loosen, obtain a 1" (25.4mm) longer bolt of the same diameter and thread type as the impeller bolt. Thread longer bolt by hand into the crankshaft until bolt bottoms. Using a suitable gear or wheel puller against the bolt head and the impeller back-plate (near the blades), remove impeller from shaft.
10. **[TR ONLY]** Remove engine base mounting bolts, and nuts.
11. **[TR ONLY]** Access engine bolts on inside of housing that connect engine face to the fan housing. Bend ends of lock clip away from bolt heads and remove bolts.
12. **[TR ONLY]** Slide engine shaft out of impeller.
13. **[TR ONLY]** When impeller is free of the engine shaft, align impeller with opening, and diagonally lift impeller out of housing.
14. Using a new impeller bolt and lockwasher (and engine bolt lock clip, TR only), reinstall (engine for TR only) and new impeller in reverse order.
15. Tighten impeller bolt. Torque HTR1803VEU and TR1304HEU impeller bolt to [ 50 Ft. Lbs. (68 N·m)] and TR1104EU to [ 60 Ft. Lbs. (81.4 N·m)] (see item 16 on page 11).
16. Reinstall spark plug wire.







**A** SEE PAGE 9  
MAINTENANCE



**18 PARTS DRAWING**

**HTR1803VEU, TR1304HEU,  
TR1104EU**

\* Denotes standard hardware item that may be purchased locally.

△ Denotes parts found in parts bag assembly.

ITEM	DESCRIPTION	HTR1803VEU PART NO.	QTY	TR1304HEU PART NO.	QTY	TR1104EU PART NO.	QTY
1	FLAPPER 8" INTAKE W/ LABEL	811174	1	811174	1	811174	1
2	NUT LOCK 10-24	-	-	8164005	2	8164005	2
3	LABEL DANGER KEEP HANDS AND FEET AWAY	400424	2	400424	2	400424	2
4	WASHER 5/16 SAE (11/32 ID x 11/16 OD x 1/16)	*8172008	13	*8172008	11	*8172008	11
5	NUT LOCK 5/16-18	*8160002	22	*8160002	20	*8160002	20
6	WASHER 5/16 FLAT CUT (3/8 I.D. x 7/8 O.D. x 1/16)	*8171003	47	*8171003	47	*8171003	47
7	PLUG 3/4"	811123	1	811123	1	811123	1
8	DEFLECTOR EXHAUST 7"	811111	1	811111	1	811111	1
9	CARRIAGE BOLT 5/16-18 x 3 1/2	*8024050	1	*8024050	1	*8024050	1
10	ELBOW ASSY TR/HTR	811191	1	811191	1	811191	1
11	GRIP HANDLE 3/4" ID 2" LONG BLACK	811233	1	811233	1	811233	1
12	TUBE CLAMP	810953	1	810953	1	810953	1
13	KNOB	400339	2	400339	2	400339	2
14	IMPELLER ASSY (INCLUDES 16(1),17(1),18(1), 20(1))	810930	1	810974	1	810629	1
15	LABEL READ OWNER'S MANUAL	890301	1	890301	1	890301	1
16	SCREW CAP 3/8-24 x 2" GR 8 [50 Ft. Lbs. (68 N.m)]	810962	1	- - -	- - -	- - -	- - -
	SCREW CAP 3/8 - 24 X 2 1/4 GR 8 [50 Ft. Lbs. (68 N.m)]	- - -	- - -	810932	1	- - -	- - -
	SCREW CAP 7/16 - 20 X 2 GR 5 [60 Ft. Lbs. (81.4 N.m)]	- - -	- - -	- - -	- - -	500188	1
17	WASHER LOCK 3/8 TWISTED TOOTH	400502	1	400502	1	- - -	- - -
	WASHER LOCK 7/16 TWISTED TOOTH	- - -	- - -	- - -	- - -	850132	1
18	KEY SQ. 1/4 x 2 3/4	*9201125	1	*9201125	1	- - -	- - -
	KEY SQ. 1/4 X 2 1/4	- - -	- - -	- - -	- - -	*9201123	1
19	LABEL DANGER FLYING MATERIAL	810736	2	810736	2	810736	2
20	SPACER IMPELLER	830112	1	830112	1	830112	1
21	GUARD MANIFOLD	811059	1	- - -	- - -	- - -	- - -
22	GUIDE STARTER ROPE (HALF)	830533	2	830533	2	830533	2
23	TUBE REAR FRAME	811218	1	811218	1	811218	1
24	COUPLER HOSE W/GRIP	811235	1	811235	1	811235	1
25	PAD FRAME SHORT	811120	2	811120	2	811120	2
26	CARRIAGE BOLT 5/16-18 x 2 1/4	*8024045	1	- - -	- - -	- - -	- - -
	CARRIAGE BOLT 5/16-18 x 4 1/2	- - -	- - -	*8024054	1	*8024054	1
27	SCREW CAP 5/16-18 x 1 1/2	*8041030	4	*8041030	4	- - -	- - -
	SCREW CAP 5/16-18 x 2 1/2	- - -	- - -	- - -	- - -	*8041034	4
28	ENGINE 18 H.P. V.N W/CONTROL PANEL	811224	1	- - -	- - -	- - -	- - -
	ENGINE HONDA 13HP	- - -	- - -	430366	1	- - -	- - -
	ENGINE BRIGGS 11 HP INTEK VC	- - -	- - -	- - -	- - -	811205	1
29	KNOB PLASTIC 5/15 NUT INSERT	850154	2	850154	2	850154	2
30	NUT LOCK W.A.	800227	2	800227	2	800227	2
31	WASHER 3/4, PLASTIC	800109	2	800109	2	800109	2
32	STUD 3/4 -10 x 5 1/2	810954	2	810954	2	810954	2
33	SCREW MACHINE #10-24 x 2	*8059143	2	*8059143	2	*8059143	2
34	PIN COTTER 1/8 x 1"	*8197031	2	*8197031	2	*8197031	2
35	WASHER 3/8 SAE	*8172009	4	*8172009	4	*8172009	4
36	NUT LOCK 3/8-16	*8160003	18	*8160003	18	*8160003	18
37	SCREW SHEET METAL 1/4 AB x 3/4	*8122082	3	- - -	- - -	- - -	- - -
38	GUARD MUFFLER	811058	1	- - -	- - -	- - -	- - -
39	BASE ENGINE	810907	1	810907	1	810907	1
40	PAD FRAME LONG	811122	2	811122	2	811122	2
41	PLATE FRONT 8" TR W/INTERLOCK (INCL. 1,2,3,5(2),7,13,43,44,49,59,83,84,87,88)	811234	1	811239	1	811239	1
42	PLUG CAP 1" SQUARE	810535	2	810535	2	810535	2
43	CABLE ASSY SWITCH SV	890442	1	890442	1	890442	1
44	CLIP-CABLE LIFT	850200	3	850200	3	850200	3
45	WASHER-1.5 OD X 0.531 ID	610308-P	2	610308-P	2	610308-P	2
46	SPRING COMPRESSION	400332	2	400332	2	400332	2
47	LABEL CAUTION	830138	1	830138	1	830138	1
48	LABEL EAR,EYE,BREATHING	890254	1	890254	1	890254	1
49	LABEL WARNING ENGINE OVERHEAT	811215	2	811215	2	811215	2
50	BOOM-PIVOT W.A.	810870	1	810870	1	810870	1
51	TUBE-SQUARE BOOM ARM	810875	1	810875	1	810875	1
52	NUT LOCK 1/4-20	*8160001	5	*8160001	5	*8160001	5
53	HOSE 8" x 12.5' TR (COMES IN SEPERATE BOX)	810523	1	810523	1	810523	1
54	CHAIN-LOOP ASSY	810878	2	810878	2	810878	2
55	SCREW CAP 1/4-20 x 1 3/4	*8041009	2	*8041009	2	*8041009	2
56	BAND HOSE BOOM 8" TR	810880	2	810880	2	810880	2
57	HOUSING ASSY W/LABELS (INCLUDES 35(2), 36(2), 45(2), 46(2), 47, 48, 90(2))	810912	1	810976	1	810976	1
58	NOZZLE ASSY 8" TR (INCL. 4(2), 5(3), 6, 23, 77, 79(4), 80(2), 82, 83, 84	811009	1	811009	1	811009	1
59	SPACER ENGINE INTEK	- - -	- - -	- - -	- - -	430355	1
60	CLAMP HOSE 8" TR	810566	2	810566	2	810566	2
61	ELBOW EXHAUST WA	811192	1	811192	1	811192	1
62	PAD FRAME CLAMP TUBE	811121	1	811121	1	811121	1
63	SUPPORT PLATE ENGINE / SPACER ENG.	810927	1	810965	1	810965	1

**19** Parts List continued from page 11.

\* Denotes standard hardware item that may be purchased locally.


ITEM	DESCRIPTION	HTR1803VEU PART NO.	QTY	TR1304HEU PART NO.	QTY	TR1104EU PART NO.	QTY
64	WASHER LOCK 3/8	*8177012	2	*8177012	2	- - -	-
	WASHER LOCK 5/16 EXT. TOOTH	- - -	-	- - -	-	*8181008	2
65	SCREW CAP 3/8 - 16 X 1	*8041050	2	- - -	-	- - -	-
	SCREW CAP 3/8 - 16 X 1 1/2 ZP	- - -	-	8041052	2	8041052	2
66	SCREW CAP 3/8 - 16 x 1"	*8041050	12	*8041050	12	*8041050	12
67	SCREW CAP 1/4-20 X 1 1/2	*8041008	1	*8041008	1	*8041008	1
68	SCREW CAP 3/8 - 16 X 1 3/4 ZP	*8041053	4	*8041053	4	*8041053	4
69	ANGLE BRKT R.H.	810917	1	811096	1	811096	1
70	SCREW CAP 5/16-18 x 1"	*8041028	2	*8041028	2	*8041028	2
71	ANGLE BRKT L.H.	810916	1	810969	1	810969	1
72	SPACER	811097	1	811098	1	811098	1
73	WASHER FLAT CUT 1/4	*8171002	1	*8171002	1	*8171002	1
74	CONTROL THROTTLE ASSY	810904-1	1	811222	1	811222	1
75	SCREW MACHINE 10-24 x 1-1/2"	- - -	-	8059141	2	8059141	2
76	NUT LOCK 5/16-18 THIN HT.	*8161041	2	*8161041	2	*8161041	2
77	NOZZLE FORMED STEEL 8"	811007	1	811007	1	811007	1
78	HANDLE NOZZLE W / GRIP	811020	1	811020	1	811020	1
79	WASHER FENDER 5/16	*8172020	4	*8172020	4	*8172020	4
80	SCREW CAP 5 /16 - 18 X 1 1/2	*8041030	3	*8041030	3	*8041030	3
81	LABEL DO NOT FILL WHEN ENGINE IS HOT	400268	1	400268	1	400268	1
82	HANDLE LOOP NOZZLE	811019	1	811019	1	811019	1
83	GRIP HANDLE	500267	4	500267	4	500267	4
84	PLUG CAP	890132	4	890132	4	890132	4
85	FRAME SIDE RIGHT WA TR/HTR	811100	1	811100	1	811100	1
86	FRAME SIDE LEFT WA TR/HTR	811101	1	811101	1	811101	1
87	STRAIN RELIEF	500282	1	500282	1	500282	1
88	PLUNGER SWITCH	890440	1	890440	1	890440	1
89	TUBE HANDLE LIFT	811139	2	811139	2	811139	2
90	KNOB 3/8" SOLID HUB	811230	2	811230	2	811230	2
91	BOLT CARRIAGE 3/4 - 10 X 6" LONG	*8024216	1	*8024216	1	*8024216	1

**20 TROUBLESHOOTING** *Before Requesting Service Review These Suggestions*

Problem	Possible Cause	Solution
Will not vacuum or has poor vacuum performance.	Nozzle height too high or too low. Clogged hose or exhaust. Excessive quantity of debris.	Adjust nozzle position. Unclog hose or exhaust (see page 6). Allow air to feed with debris.
Abnormal vibration.	Loose or out of balance impeller or loose engine.	Check impeller and replace if required. Check Engine.
Engine will not start.	Throttle & / or stop switch in off position. Out of gasoline. Bad or old gasoline. Spark Plug wire disconnected. Dirty air cleaner. Hose not installed, allowing interlock wire to ground.	Check stop switches, throttle, and gasoline. Connect spark plug wire. Clean or replace air cleaner. Or contact a qualified service person. Install hose onto housing.
Engine is locked, will not pull over.	Debris locked inside impeller. Engine problem.	See page 6, Clearing a clogged impeller housing. Contact an engine servicing dealer for engine problems.


**22.1 Engine Service and Warranty**  
Contact your nearest engine manufacturer's authorized servicing dealer.

**21 Serial Plate** Record your machine model, serial number and date-of-purchase and where purchased



**BILLY GOAT INDUSTRIES, INC.**

1803 S. Jefferson  
P.O. Box 308  
Lee's Summit,  
MO 64063 / USA  
Tel (816) 524-9666  
Fax (816) 524-6983



Model	Serial No.
Unit(Weight)	Engine Power
<input type="text"/> lbs. <input type="text"/> kg	<input type="text"/> kW <input type="text"/> rpm

**120 dB**  
 (HTR1803VEU MODEL)


**Purchase Date** \_\_\_\_\_ **Purchased from** \_\_\_\_\_

**22 WARRANTY PROCEDURE**

Should a Billy Goat Machine fail due to a defect in material and/or workmanship, the owner should make a warranty claim as follows:

- The Machine must be taken to the dealer from whom it was purchased or to an authorized Servicing Billy Goat Dealer.
- The owner must present the remaining half of the Warranty Registration Card, or, if this is not available, the invoice or receipt.
- The Warranty Claim will be completed by the authorized Billy Goat Dealer and submitted to their respective Billy Goat Distributor for their territory. Attention: Service Manager. Any parts replaced under warranty must be tagged and retained for 90 days.
- The distributor service manager will sign off on the claim and submit it to Billy Goat for consideration.
- The Technical Service Department at Billy Goat will study the claim and may request parts to be returned for examination. Billy Goat will notify their conclusions to the distributor service manager from whom the claim was received.
- The decision by the Quality / Service department at Billy Goat to approve or reject a Warranty claim is final and binding.

**Note:** To process a Warranty Claim, it is necessary to quote the Model & Serial Number which are printed on the Billy Goat Serial Plate (See owner's manual).



**BILLY GOAT.**

**BILLY GOAT INDUSTRIES INC.**  
 1803 S.W. JEFFERSON STREET / LEE'S SUMMIT, MO 64082-2312 / USA  
 PHONE: 816-524-9666 FAX: 816-524-6983    www.billygoat.com

## Free Manuals Download Website

<http://myh66.com>

<http://usermanuals.us>

<http://www.somanuals.com>

<http://www.4manuals.cc>

<http://www.manual-lib.com>

<http://www.404manual.com>

<http://www.luxmanual.com>

<http://aubethermostatmanual.com>

Golf course search by state

<http://golfingnear.com>

Email search by domain

<http://emailbydomain.com>

Auto manuals search

<http://auto.somanuals.com>

TV manuals search

<http://tv.somanuals.com>