

STORAGE INSTRUCTIONS

If your humidifier will not be in use for two days or more, or at the end of the season follow these instructions.

1. Clean and dry the humidifier thoroughly as per the "Weekly Maintenance" instructions.
2. Let the humidifier dry completely before storing. Do not store with water inside the base or water reservoir.
3. Remove the reservoir cap. Do not store with the tank cap in place.
4. Store in a cool dry location.

Troubleshooting for your Warm Mist Humidifier		
Trouble	Probable Cause	Solution
• Power light not illuminated.	Unit not plugged in. Power failure.	Plug in unit. Check circuit breaker or fuse.
• Refill light illuminated	Water tank empty. Unit not reset after refilling tank.	Remove and refill. Follow reset instructions.
• Moist air output low.	Scale buildup in tray. Scale buildup on heating element.	Remove tray and flush out scale residue. Remove scale from heating element.

If you have any questions regarding your product or would like to learn more about other Bionaire® products, please contact our Consumer Service Department at 1-800-253-2764 or visit our website at www.bionaire.com.

1 YEAR LIMITED WARRANTY

Sunbeam Products, Inc. doing business as Jarden Consumer Solutions or if in Canada, Sunbeam Corporation (Canada) Limited doing business as Jarden Consumer Solutions (collectively "JCS") warrants that for a period of one year from the date of purchase, this product will be free from defects in material and workmanship. JCS, at its option, will repair or replace this product or any component of the product found to be defective during the warranty period. Replacement will be made with a new or remanufactured product or component. If the product is no longer available, replacement may be made with a similar product of equal or greater value. This is your exclusive warranty. Do NOT attempt to repair or adjust any electrical or mechanical functions on this product. Doing so will void this warranty.

This warranty is valid for the original retail purchaser from the date of initial retail purchase and is not transferable. Keep the original sales receipt. Proof of purchase is required to obtain warranty performance. JCS dealers, service centers, or retail stores selling JCS products do not have the right to alter, modify or any way change the terms and conditions of this warranty.

This warranty does not cover normal wear of parts or damage resulting from any of the following: negligent use or misuse of the product, use on improper voltage or current, use contrary to the operating instructions, disassembly, repair or alteration by anyone other than JCS or an authorized JCS service center. Further, the warranty does not cover: Acts of God, such as fire, flood, hurricanes and tornadoes.

What are the limits on JCS's Liability?

JCS shall not be liable for any incidental or consequential damages caused by the breach of any express, implied or statutory warranty or condition.

Except to the extent prohibited by applicable law, any implied warranty or condition of merchantability or fitness for a particular purpose is limited in duration to the JCS disclaims all other warranties, conditions or representations, express, implied, statutory or otherwise.

JCS shall not be liable for any damages of any kind resulting from the purchase, use or misuse of, or inability to use the product including incidental, special, consequential or similar damages or loss of profits, or for any breach of contract, fundamental or otherwise, or for any claim brought against purchaser by any other party.

Some provinces, states or jurisdictions do not allow the exclusion or limitation of incidental or consequential damages or limitations on how long an implied warranty lasts, so the above limitations or exclusion may not apply to you.

This warranty gives you specific legal rights, and you may also have other rights that vary from province to province, state to state or jurisdiction to jurisdiction.

How to Obtain Warranty ServiceIn the U.S.A.

If you have any question regarding this warranty or would like to obtain warranty service, please call 1-800-253-2764 and a convenient service center address will be provided to you.

In Canada

If you have any question regarding this warranty or would like to obtain warranty service, please call 1-800-253-2764 and a convenient service center address will be provided to you.

In the U.S.A., this warranty is offered by Sunbeam Products, Inc doing business as Jarden Consumer Solutions located in Boca Raton, Florida 33431. In Canada, this warranty is offered by Sunbeam Corporation (Canada) Limited doing business as Jarden Consumer Solutions, located at 20 B Hereford Street, Brampton, Ontario L6Y 0M1. If you have any other problem or claim in connection with this product, please write our Consumer Service Department.

PLEASE DO NOT RETURN THIS PRODUCT TO ANY OF THESE ADDRESSES OR TO THE PLACE OF PURCHASE.

© 2008 Sunbeam Products, Inc. doing business as Jarden Consumer Solutions. All Rights Reserved.
Distributed by Sunbeam Products, Inc. doing business as Jarden Consumer Solutions, Boca Raton, Florida 33431.

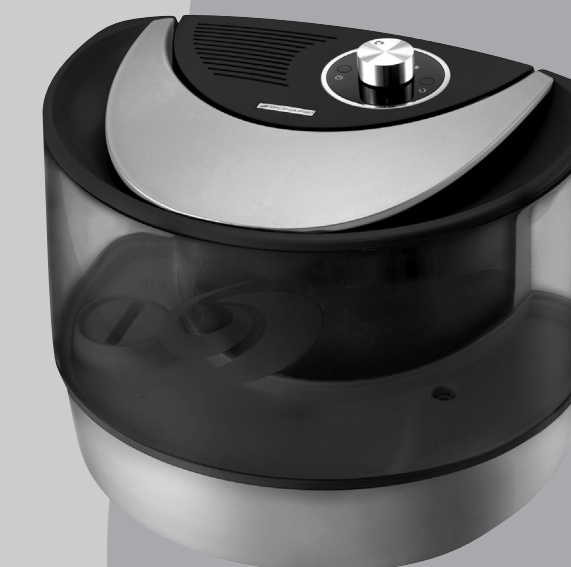
BWM260108EM2

Printed in China



Filter Free Warm
Moisture
Humidifier

MODEL BWM2601



Read instructions before operating.
Retain for future reference.

Instruction Leaflet

INFO-LINE

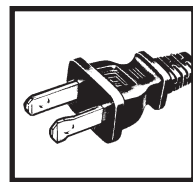
If after having read this leaflet, you have any questions or comments on your humidifier, call **1-800-253-2764** in North America.
127044/9100030005463

▲ HUMIDIFIER SAFETY**PLEASE READ AND SAVE THESE IMPORTANT SAFEGUARDS**

When using electrical appliances, basic safety precautions should always be followed to reduce the risk of fire, electric shock, and injury to persons, including the following:

1. Read all instructions before using the appliance.
2. To avoid fire or shock hazard, plug the appliance directly into a 120V AC electrical outlet.
3. Keep the cord out of heavy traffic areas. To avoid fire hazard, NEVER put the cord under rugs, near heat registers, radiator, stoves, or heaters.
4. DO NOT place humidifier near heat sources such as stoves, radiators, and heaters. Do locate your humidifier on an inside wall near an electrical outlet. The humidifier should be at least 4 inches (10 cm) away from the wall for best results.
5. NEVER place humidifier in an area where it is accessible to children. NEVER use humidifier in a closed room, particularly where a child may be sleeping, resting, or playing (a closed room may result in excessive humidity).
6. **WARNING:** Do not attempt to refill humidifier without first unplugging the unit from its electrical outlet. Failure to heed this warning may cause personal injury.
7. NEVER place anything over moisture outlet when unit is running.
8. NEVER drop or insert any object into any openings.
9. DO NOT operate any appliance with a damaged cord or plug, if the appliance malfunctions, or if it has been dropped or damaged in any manner. Return appliance to manufacturer for examination, electrical or mechanical adjustment, or repair.
10. Use appliance only for intended household use as described in this manual. Any other use not recommended by the manufacturer may cause fire, electric shock, or injury to persons. The use of attachments not recommended or sold by the manufacturer may cause hazards.
11. DO NOT use outdoors.
12. Always place humidifier on a firm, flat, level surface. (4 inches (10 cm) from wall). A waterproof mat or pad is recommended for under the humidifier. NEVER place it on a rug or carpet, or on a finished floor that may be damaged by exposure to water or moisture.
13. DO NOT allow the moisture outlet to directly face the wall. Moisture could cause damage, particularly to wallpaper.
14. Humidifier should be unplugged when not in use.

15. NEVER tilt, move, or attempt to empty unit while it is operating. Shut off and unplug before removing the water reservoir and moving the unit.
16. This humidifier requires daily and weekly maintenance to operate appropriately. Refer to daily and weekly cleaning procedures. Use only cleaners and additives recommended by the manufacturer.
17. NEVER use detergents, gasoline, glass cleaner, furniture polish, paint thinner, or other household solvents to clean any part of the humidifier.
18. Excessive humidity in a room can cause water condensation on windows and some furniture. If this happens, turn the humidifier OFF.
19. Do not use humidifier in an area where humidity level is in excess of 50%. Use a hygrometer, available at your local hardware store or through Bonaire, to measure the humidity.
20. DO NOT attempt to repair or adjust any electrical or mechanical functions on this unit. Doing so will void your warranty. The inside of the unit contains no user serviceable parts. All servicing should be performed by qualified personnel only.
21. Never place humidifier housing under water flow or immerse in liquids.
22. Do not plug in the cord with wet hands: electric shock could result.
23. Do not pour water in any openings other than the water tank.
24. To prevent damage to surfaces, do not place humidifier under overhanging surfaces.
25. NEVER operate unit without water in the tank.
26. Use both hands when carrying full tank of water.

PLEASE SAVE THESE INSTRUCTIONS**CONSUMER SAFETY INFORMATION**

This appliance has a POLARIZED AC PLUG (one blade is wider than the other). To reduce the risk of electric shock, this plug is intended to fit in a polarized outlet only one way. If the plug does not fit fully in the outlet, reverse the plug. If it still does not fit, contact a

qualified electrician to install the proper outlet.

DO NOT ATTEMPT TO MODIFY THIS PLUG OR DEFEAT THIS SAFETY FEATURE IN ANY WAY.

The length of cord used on this appliance was selected to reduce the hazards of becoming tangled in, or tripping over a longer cord. If a longer cord is necessary an

approved extension cord may be used. The electrical rating of the extension cord must be equal to or greater than the rating of the humidifier (refer to rating artwork placed on the humidifier). Care must be taken to arrange the extension cord so that it will not drape over the countertop or tabletop where it can be pulled on by children or accidentally tripped over.

HOW YOUR WARM MOISTURE HUMIDIFIER WORKS

Your Bonaire® Warm Moisture humidifier is designed to allow the proper amounts of water to flow out of the tank. Air is drawn in through the grill openings and mixed with steam in the misting chamber. The warm mist is then dispersed out of the top of the misting chamber through the outlet grill and into the room. Warm moisture humidifiers put moisture back into the air you breathe to help relieve sinus and respiratory discomforts, reduce annoying static electricity and provide a healthy growing environment for your indoor plants.

PRE-OPERATING INSTRUCTIONS

1. Be sure the humidifier is switched off and disconnected from the electrical outlet.
2. Select a location for your humidifier, on a flat surface, about 4 inches (10 cm) away from the wall. Do not place your humidifier on furniture, a floor location that will not be damaged by moisture is best.
3. Remove the water tank by holding the tank handle and lifting straight upwards.

FILLING THE WATER TANK

1. Twist off the water tank cap located on the bottom of the water tank by turning counter clockwise and fill the water tank with cool fresh water. Do not fill with warm water as this may cause leaking.
2. After filling the water tank, replace the water tank cap by firmly turning clockwise and then replace the water tank onto the base. The water tank will immediately begin to empty into the base.

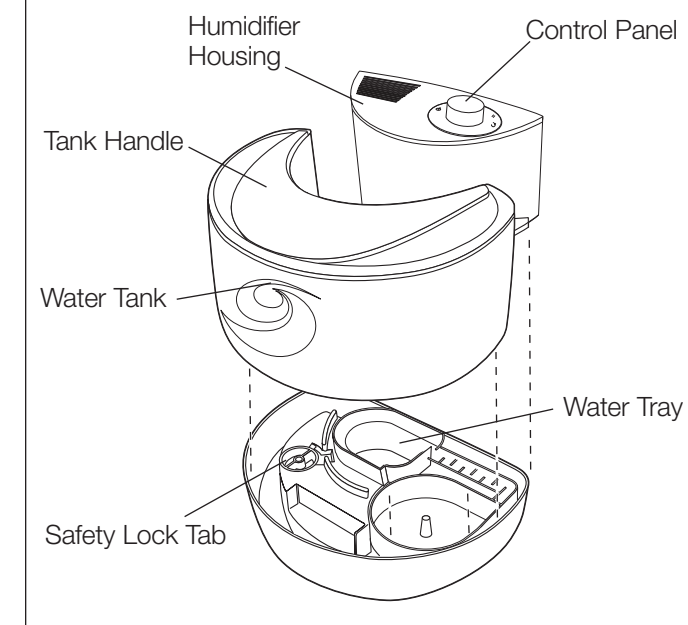
OPERATING INSTRUCTIONS

1. Plug the power cord into a 120V AC electrical outlet.
2. Turn the Mode Knob to the High position (**II**). The Power Light will be On and the Refill Light will be Off. It is normal for the humidifier to take about 10 minutes to warm up and begin to mist.
3. After the unit begins misting, set the humidifier to the desired power setting [High (**II**) or Low (**I**)].

RESET PROCEDURE

NOTE: When the water tank is empty and the water in the heating chamber is almost empty, the Automatic Shut Off will activate. The Refill Light will illuminate and the unit will not operate again until you refill the water tank and reset the humidifier.

1. Turn the Mode Knob to off (**O**).
2. Unplug the unit.
3. Remove and refill the water tank, being sure to follow the Daily Maintenance Instructions. Replace the tank onto the base.

Fig 1

4. Wait 20 minutes for Automatic Shut-Off to reset.
5. After 20 minutes, plug in the unit and turn the Mode Knob to High. The Refill Light should now be off (if not repeat steps 1 through 5). In about 10 minutes, the humidifier will begin to produce moisture.

If the Refill Light is still on at this point, and the unit does not begin to produce moisture within a few minutes, then repeat Steps 1-5.

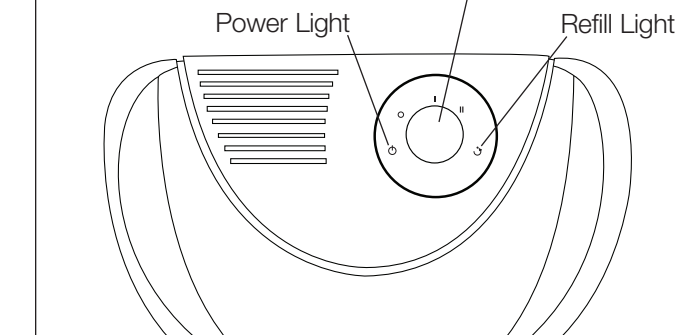
IMPORTANT: If you do not plan to use the humidifier for two or more days, make sure any residual water is drained from the water tank and base to prevent algae or bacteria growth.

WARM MIST CLEANING AND MAINTENANCE INSTRUCTIONS

The following maintenance procedures must be routinely followed in order to ensure proper, efficient operation of your humidifier. The unit may not operate properly without following the cleaning and maintenance instructions.

When the unit is in use, daily and weekly maintenance is recommended. Regular weekly cleaning prevents scale buildup on the heating element and tray. It also prevents micro-organisms from growing on the tray and tank. This ensures that maximum efficiency will be achieved.

The manufacturer cannot over-emphasize how essential proper cleaning is to the maintenance and continued use of your unit and to the avoidance of algae or bacteria build-up.

Fig 2**DAILY MAINTENANCE**

Allow to cool before maintenance.

1. Before cleaning, set the control to off position (**O**) and unplug the unit from the electrical outlet.
2. Remove the water tank then unlock the misting chamber by rotating the safety lock towards the front of the unit. Lift mist chamber from the unit's base. Now lift the tray from the base.
3. Empty water and minerals from the tray and place in the top rack of the dishwasher. This will remove any sediment and dirt that has accumulated in the tray.

NOTE: It is imperative that the tray is cleaned properly. The tray is dishwasher safe (top rack ONLY) for easy cleaning.

4. Wipe the heating element clean with a soft cloth after it has had a chance to cool.
5. Replace misting chamber and engage safety lock.

The Electronic Thermal Control Heating element is provided with a special coating that is designed to provide the easiest cleaning and prolong the operating efficiency of the humidifier. DO NOT use any metal or hard objects to clean the Heating Element. Never use detergents, gasoline, kerosene, glass cleaner, furniture polish, paint thinner or other household solvents to clean any part of the humidifier.

WEEKLY MAINTENANCE

Remove scale: Allow to cool before maintenance.

1. Repeat steps 1-5 in the Daily Maintenance section.
2. Clean the tray by partially filling the tray with one 8-oz cup of undiluted white vinegar. Let solution stand 20 minutes, cleaning all interior surfaces with a soft brush. Dampen a cloth with undiluted white vinegar and wipe out entire tray to remove scale.
3. Rinse with clean warm water to remove scale and the white vinegar solution before beginning to disinfect the tank.
4. Wipe the heating element clean with a soft cloth after it has had a chance to cool.

Free Manuals Download Website

<http://myh66.com>

<http://usermanuals.us>

<http://www.somanuals.com>

<http://www.4manuals.cc>

<http://www.manual-lib.com>

<http://www.404manual.com>

<http://www.luxmanual.com>

<http://aubethermostatmanual.com>

Golf course search by state

<http://golfingnear.com>

Email search by domain

<http://emailbydomain.com>

Auto manuals search

<http://auto.somanuals.com>

TV manuals search

<http://tv.somanuals.com>