

Char-Broil® GRILL 2 GO®



Assembly Guide

Model Numbers:
11401587

Propane cylinder
sold separately.

Allow approximately 10 minutes for assembly.



PROPANE
(English)

42804597 • 01/07/2011

CAUTION: For your safety, before operating, Read Product Guide & Outdoor Cooking Guide provided with this grill.

SAFETY First.....Grill components may have sharp edges. Be careful when handling grill parts during assembly. We suggest that you wear a sturdy pair of leather gloves while handling the grill parts.*

BEFORE You begin assembly of your grill....

1. Carefully remove all components from the carton.
2. Familiarize yourself with the components and hardware used for assembly.
3. Please note that hardware used for assembly may not be shown actual size..
4. After removing components from the carton, split the carton open and use it as a scratch-free work pad to assemble your grill.

BEFORE You Grill....

1. Read Product Guide & Outdoor Cooking Guide
2. Position Grill safely away from walls & structures
3. Pre- Heat Grill—15 minutes on **High** to season grill.

TIPS & Tricks.....

First - Go to charbroil.com to register your grill.-

Take a moment to record the serial number here: _____

When grilling, preheat your grill for 10 to 15 minutes with the lid down.

After grilling the grill can be turned on **High** for cleaning and burning off the grate. Use a wire brush to brush off the grate.

A light coat of oil on the grate will help prevent foods like fish and vegetables from sticking to the grate.

NOTE....

Installer: Leave instructions with the grill.

Consumer: Retain instructions for reference.
Grill must be installed in accordance with local codes.....

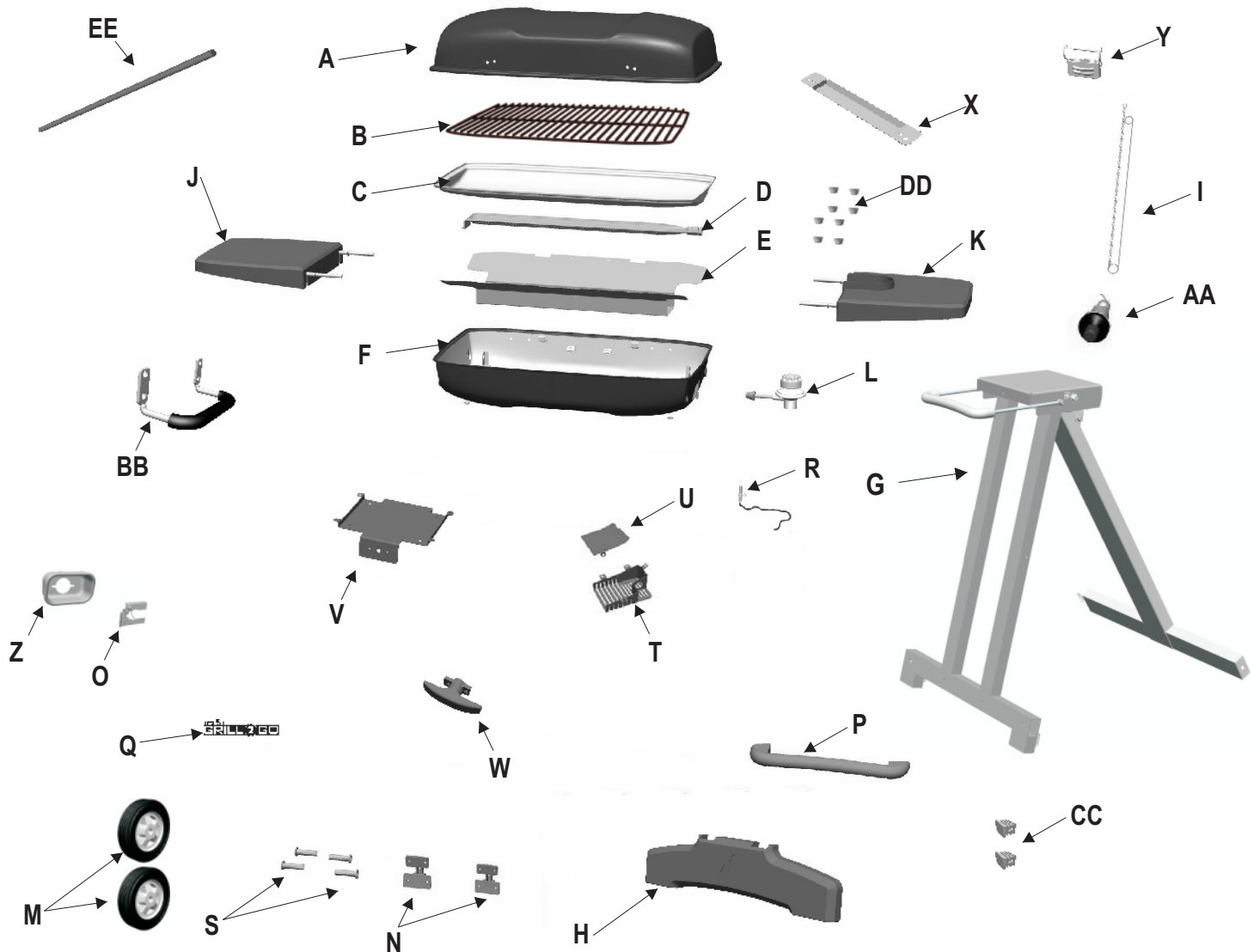
Designed for outdoor use only..

Read all instructions before operating...

TOOLS REQUIRED FOR ASSEMBLY

NONE





Key	Qty	Description
A	1	GRILL LID
B	1	COOKING GRATE
C	1	TROUGH
D	1	BURNER
E	1	INNER REFLECTOR
F	1	FIREBOX BOTTOM
G	1	GRILL STAND
H	1	FASCIA, F/ GRILL STAND
I	1	MATCH HOLDER
J	1	LEFT SIDE SHELF
K	1	RIGHT SIDE SHELF
L	1	REGULATOR CONTROL VALVE
M	2	WHEEL
N	1	HINGE SET
O	1	VENTURI LATCH ASSEMBLY

Key	Qty	Description
P	1	HANDLE, F/ LID
Q	1	LOGO PLATE
R	1	ELECTRODE W/ WIRE
S	2	SIDE SHELF BUSHINGS
T	1	IGNITOR MOUNTING BRACKET
U	1	IGNITOR HEAT SHIELD
V	1	GRILL HEAD MOUNTING BRACKET
W	1	GRILL HEAD PULL HANDLE
X	1	HEAT SHIELD, F/ LID HANDLE
Y	1	LID CLASP
Z	1	VENTURI GUARD
AA	1	PIEZO IGNITOR
BB	1	REAR HANDLE, F/ FIREBOX
CC	2	LEG END CAP
DD	8	RUBBER BUMPER
EE	1	AXLE, F/ WHEEL

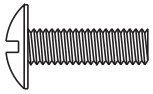


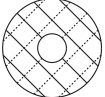
NOT Pictured

...	1	HARDWARE PACK
...	1	ASSEMBLY MANUAL, ENGLISH
...	1	ASSEMBLY MANUAL, SPANISH
...	1	ASSEMBLY MANUAL, FRENCH
...	1	PRODUCT GUIDE, ENGLISH
...	1	PRODUCT GUIDE, SPANISH
...	1	PRODUCT GUIDE, FRENCH

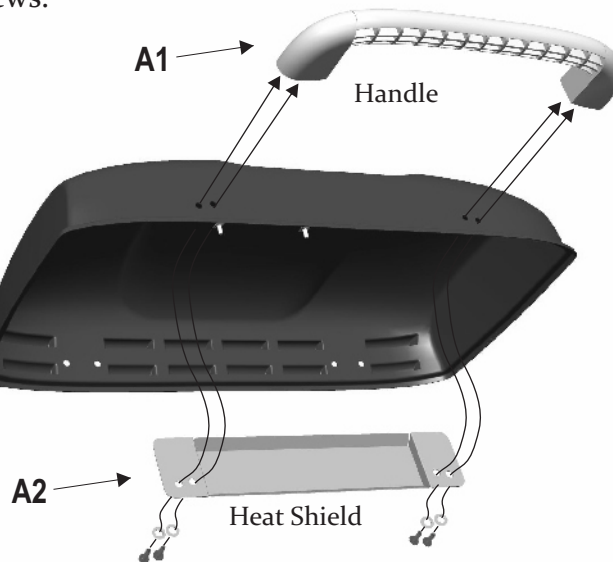
NOTE: Some grill parts shown in the assembly steps may differ slightly in appearance from those on your particular model. However, the method of assembly remains the same.

A

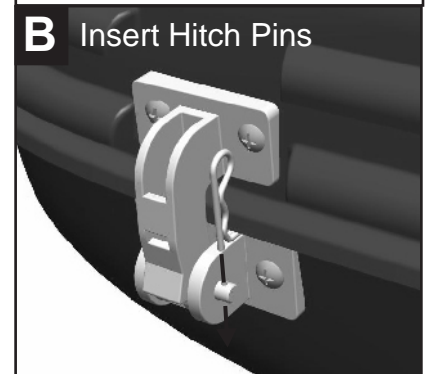
Part	Qty
A1- Handle	1
A2- Heat Shield	1

Fasteners			
			
#10x24x5/8" Machine Screw (Qty. 4)	Hinge Pin (Qty. 2)	Hitch Pin (Qty. 2)	#8 Fiber Washer (Qty. 4)

Step 1: Choose a location suitable for assembling your grill. Carefully cut the carton open and use it as a pad to prevent scratching or damaging your grill. Next, verify that you have all of your parts. Assemble the Handle and Heat Shield as shown using 4 #8 Fiber Washers and 4 #10-24x5/8" Screws. Securely tighten the screws.



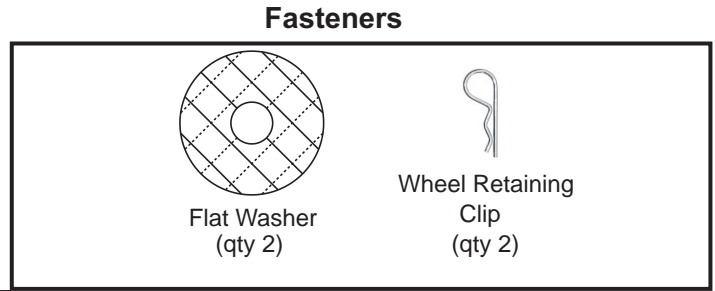
Step 2: Install the Grill Lid to the Firebox Bottom by aligning the hinges as shown below. With the hinges aligned and the grill lid resting on top of the fire box, install the hinge pins through the holes in the hinges, shown (A) Then insert a hitch pin into each of the hinge pins to hold them in place, shown (B)



GRILL Assembly

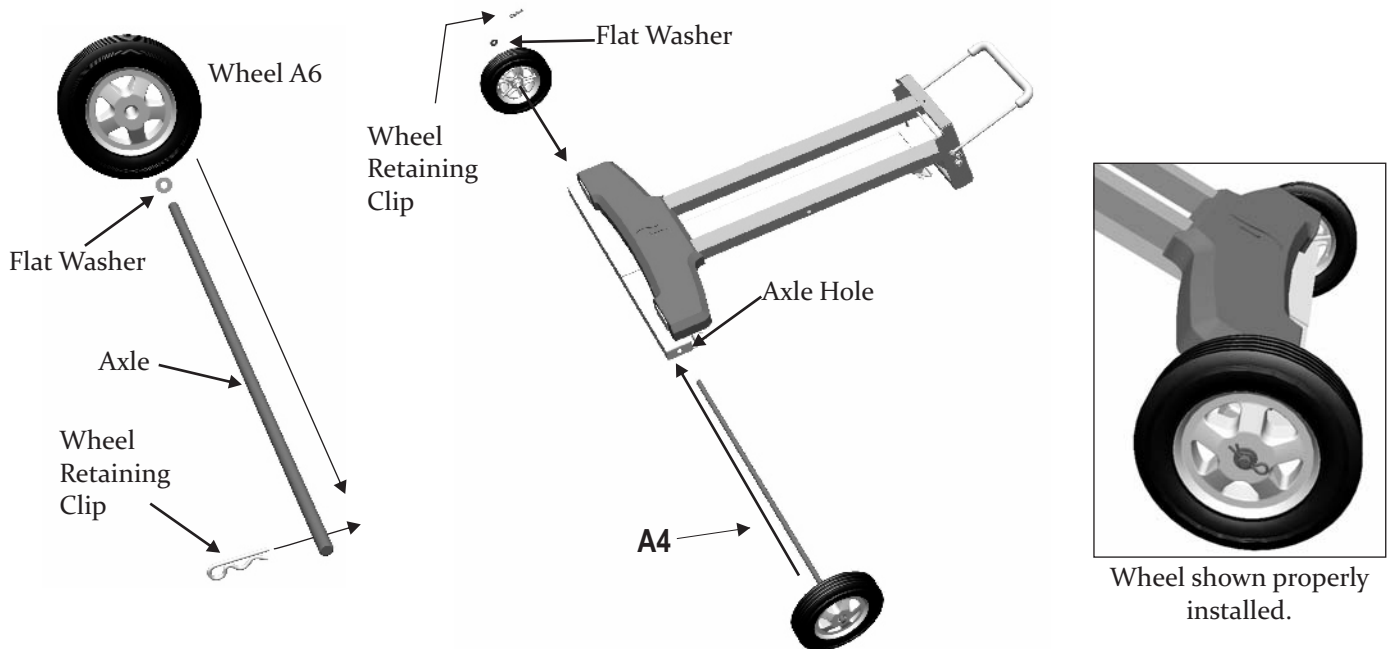


Part	Qty
A3- Grill Stand	1
A4- Axle Rod	1
A5- Grill Head	1
A6- Wheels	2



Step 3: Install a wheel retaining clip to one end of the axle. install one flat washer as shown below. After the flat washer, install a wheel. Be sure to orient the wheel as shown. Now insert the axle (with wheel installed) through the grill stand axle holes as shown below.

Next, install the remaining wheel and flat washer - then secure with the remaining wheel retaining clip.



B

Step 1: Unfold the grill stand. Ensure that the locking clip engages at the rear of the stand.

Attach the grill head to the grill stand by inserting the tab shown into the grill stand, then allow the grill head to rotate forward while pulling the latch handle. Ensure that the latch handle is fully engaged by pulling up on the grill head.



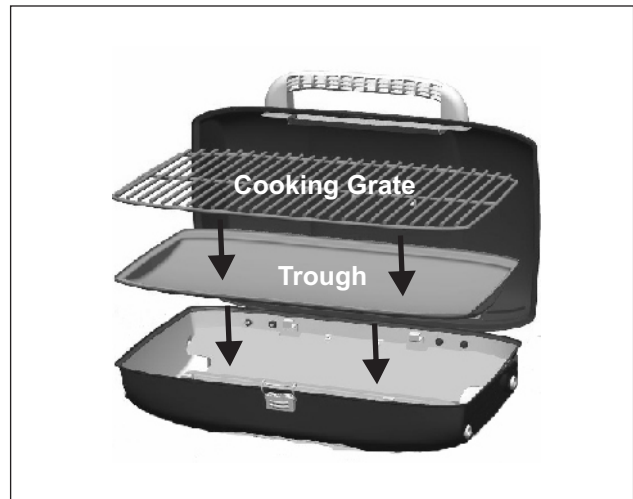
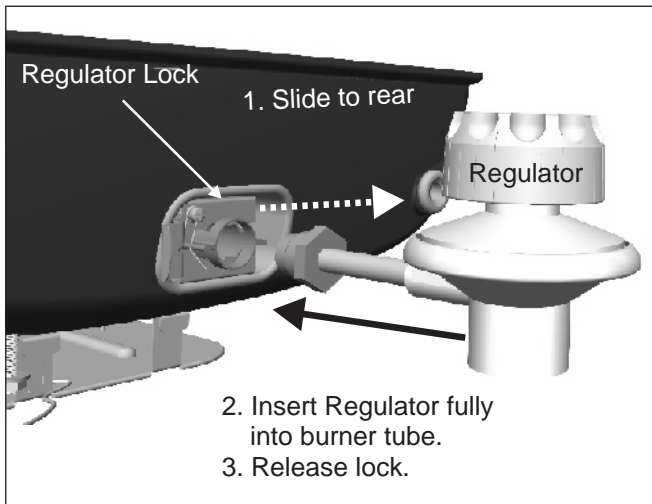
Grill Head shown assembled to the grill stand.

B

Step 2: Install the **Regulator Control Valve** by first sliding the regulator lock toward the rear of the grill, inserting the **Regulator Control Valve** fully into the exposed burner tube, and then releasing the regulator lock.

Step 3: Place the Trough and Cooking Grate in position as shown below.

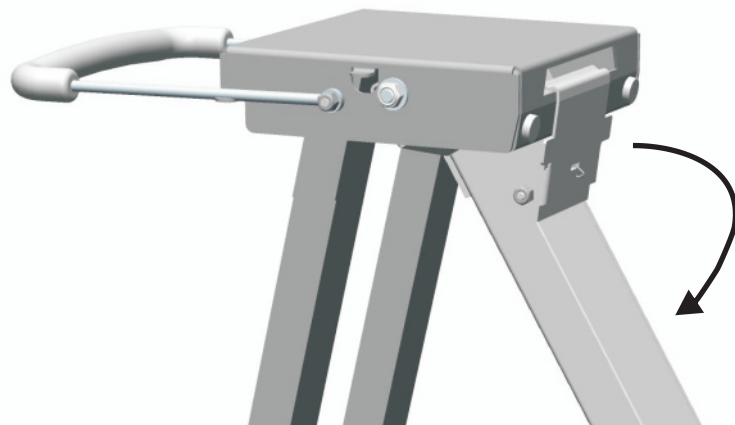
Assemble the Side Shelves by inserting the side shelf mounting rods into the side shelf busing.



8 GRILL CARRY POSITION

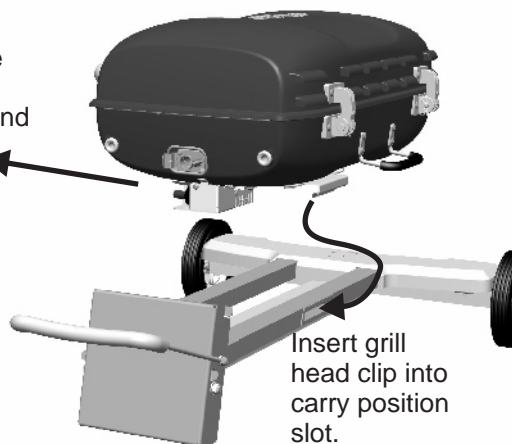
To transport your grill, first allow the grill to cool completely.

- Remove the propane cylinder from the grill head.
- Remove and store the side shelves inside the grill head.
- Then be sure that the grill lid latch is locked down securely.
- Remove the grill head and set it aside.
- Fold up the grill stand.
- Attach the grill head to the grill stand in the carry position.



To release the grill stand into the Carry position, flip the grill stand lock down and carefully fold up the grill stand.

Pull handle to engage the grill stand carry position.



Grill-2-Go Quickset in the carry position.

Free Manuals Download Website

<http://myh66.com>

<http://usermanuals.us>

<http://www.somanuals.com>

<http://www.4manuals.cc>

<http://www.manual-lib.com>

<http://www.404manual.com>

<http://www.luxmanual.com>

<http://aubethermostatmanual.com>

Golf course search by state

<http://golfingnear.com>

Email search by domain

<http://emailbydomain.com>

Auto manuals search

<http://auto.somanuals.com>

TV manuals search

<http://tv.somanuals.com>