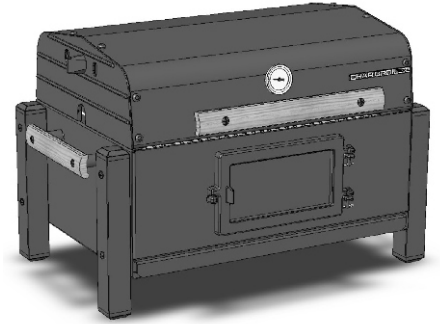




Tabletop Charcoal grill / Barbecue de table
Product Guide/Guide d'utilisation du produit
Model/Modèle 12301388



Tools needed for assembly:

- Phillips Screwdriver
- Flat Head Screwdriver
- Adjustable wrenches

Outils nécessaires au montage:

- Tournevis cruciforme
- Tournevis à tête plate
- Deux clés à molette

IMPORTANT: Fill out the product record information below.

Date Purchased _____

IMPORTANT : inscrivez les renseignements relatifs au produit ci-dessous.

Date d'achat _____

FOR OUTDOOR USE ONLY
POUR USAGE EXTÉRIEUR

CAUTION:

Read and follow all safety statements, assembly instructions, and use and care directions before attempting to assemble and cook.

INSTALLER/ASSEMBLER:

Leave this manual with consumer.

CONSUMER:

Keep this manual for future reference.

WARNING:

CARBON MONOXIDE HAZARD

Burning charcoal inside can kill you. It gives off carbon monoxide, which has no odor. NEVER burn charcoal inside homes, vehicles, or tents.

ATTENTION:

Lisez et suivez toutes les instructions de sécurité, les instructions d'assemblage, et de l'utilisation et les directions des soins avant de monter et faire cuire.

INSTALLATEUR/MONTEUR:

Laissez ce manuel à la consommation.

CONSUMMATION:

Conserver ce manuel pour référence future.

AVERTISSEMENT:

RISQUE DE MONOXYDE DE CARBONE

la combustion du charbon à l'intérieur peut vous tuer. Il dégage du monoxyde de carbone, qui n'a pas d'odeur. Ne jamais brûler de charbon de bois l'intérieur des maisons, des véhicules ou des tentes.

WARNING:

Failure to follow all manufacturer's instructions could result in serious personal injury and/or property damage.

CAUTION:

Some parts may contain sharp edges. Wear protective gloves if necessary.

AVERTISSEMENT:

Ne pas suivre toutes les instructions du fabricant peut entraîner des blessures graves et / ou des dommages matériels.

ATTENTION:

Certaines pièces peuvent présenter des bords coupants! Portez des gants de protection au besoin.

If you have questions or need assistance during assembly, please call 1-800-241-7548.

To insure your satisfaction and for follow-up service, register your appliance online at www.charbroil.com/register

Si vous avez des questions ou besoin d'aide pendant l'assemblage, s'il vous plaît appelez 1-800-241-7548.

Pour assurer votre satisfaction et de suivi de service, enregistrer en ligne votre appareil à www.charbroil.com/register.

TABLE OF CONTENTS

Product Record Information	1
Safety Symbols	2
Preparing to use your Grill	3
Grill Maintenance	3
Cooking Tips	4-5
Limited Warranty	6
Parts List/ Parts Diagram	7
Assembly	8-10
Hardware List	11
French Product Guide	13-22
Registration Card	24

This instruction manual contains important information necessary for the proper assembly and safe use of the appliance.

Follow all warnings and instructions when using the appliance.

Safety Symbols

The symbols and boxes shown below explain what each heading means. Read and follow all of the messages found throughout the manual.



DANGER: Indicates an imminently hazardous situation which, if not avoided, will result in death or serious injury.



WARNING: Indicates a potentially hazardous situation which, if not avoided, could result in death or serious injury.



CAUTION: Indicates a potentially hazardous situation or unsafe practice which, if not avoided, may result in minor or moderate injury.



FAILURE TO READ AND FOLLOW INSTRUCTIONS FOR LIGHTING CHARCOAL MAY RESULT IN SERIOUS PERSONAL INJURY AND OR PROPERTY DAMAGE.



- Most surfaces on this unit are hot when in use. Use extreme caution. Keep others away from unit. Always wear protective clothing to prevent injury.
- Keep children and pets away.
- Do not move this unit during operation.
- Never substitute gasoline, kerosene or alcohol for charcoal starter. In some states, the use of charcoal starter is prohibited by law. In this case, paraffin-based starter cubes can be substituted for charcoal starter. Never use charcoal starter fluid with an electric starter.



CALIFORNIA PROPOSITION 65

1. Combustible by-products produced when using this product contains chemicals known to the State of California to cause cancer, birth defects, or other reproductive harm.
2. This product contains chemicals, including lead and lead compounds, known to the State of California to cause cancer, birth defects or other reproductive harm.

Wash your hands after handling this product.



All surfaces can be hot during use. Use protection as required to prevent burning.
Do not use this unit on or near combustible surfaces or structures such as wood decks, dry leaves or grass, vinyl or wood siding, etc.
SEE OWNERS MANUAL FOR IMPORTANT SAFETY INFORMATION.



For residential use only. Do not use for commercial cooking.

PREPARING TO USE YOUR GRILL

Before cooking with your grill, the following steps should be closely followed to both cure the finish and season the interior steel. Failure to properly follow these steps may damage the finish and/or impart metallic flavors to your first foods.

- Brush all interior surfaces including grills and grates with vegetable cooking oil.
- Build a small fire on the charcoal grate, being sure not to lay coals against the walls.
- Close lid, position butterfly dampers at approximately one quarter turn open. This burn should be sustained for at least two hours. Begin increasing the temperature by opening the butterfly dampers halfway and adding more charcoal. Your grill is now ready for use.

Rust can appear on the inside of your grill. Maintaining a light coat of vegetable oil on the interior surfaces will aid in the protection of your grill. Exterior surfaces of the grill may need occasional touch up. We recommend the use of commercially available black high temperature spray paint. NEVER PAINT THE INTERIOR OF THE GRILL!

Please see information regarding Uncoated Cast Iron Grates below.

First Time Use:

Before using a cast iron grate or other cast iron cooking tool, wash it thoroughly with a mild dishwashing liquid to remove the protective wax coating applied for shipping. Rinse with hot water and dry completely with a soft cloth or paper towel. NEVER ALLOW TO DRAIN DRY OR WASH IN A DISHWASHER. Now season the grates to prevent rust and sticking.

Seasoning:

A solid vegetable shortening is recommended for the initial seasoning. Spread a thin coating of solid vegetable shortening over the entire surface, including all corners, with a paper towel. Do not use salted fats such as butter or margarine. Preheat grill for 15 minutes; carefully place grates in the grill. Allow the grill to heat grates for 1 to 1 ½ hours. Allow the fire to burn out on its own, and leave cooking grates in grill until they are cool. Your cast iron cooking grates are now ready to use.

To Prevent Rusting:

Re-season your grates frequently, particularly when new. If rust occurs, it is an indication that the grates have not been seasoned enough or the seasoning has been burned off. Clean with a heavy brush like Char-Broil's Brush Hawg. Reapply vegetable shortening and heat as indicated above to re-season the grates.

Maintenance:

Do not do a burn-off after you grill, but rather leave the cooking residues on the grates to keep a protective coating on the cast iron. Do a burn-off just before you grill. The more you use your cast iron grates, the easier the maintenance will be. Store in a dry place. If you store your grates for an extended period of time, grease very lightly with vegetable shortening, then wipe dry with a paper towel.

GRILLING

Charcoal is recommended, however, wood or a combination of both may be used as the fuel source for grilling with the fuel source placed and ignited on the ash pan. Do not build too large of a fire. We recommend starting a fire with no more than 1 pound of charcoal (approximately 15 briquettes) and adding more as needed during cooking. After allowing the fire to burn down, place the cooking grate on the unit. Failure to read and follow instructions for lighting charcoal may result in serious personal injury and/or property damage.

GRILL MAINTENANCE

Frequency of clean up is determined by how often the grill is used. Make sure coals are completely extinguished before cleaning inside of the unit. Thoroughly rinse with water and allow to air dry before using again. Wipe out the interior of the unit with a cloth or paper towels.

When finished cooking, and the unit has adequately cooled, clean out all remaining ashes. Ashes collect moisture, which can lead to premature rusting and decay. Periodically coating the interior surfaces with vegetable oil will aid in the protection of your unit. Also, occasional touch up of the exterior paint will be required. Black, high-temperature spray paint is recommended. NEVER PAINT THE INTERIOR OF THE UNIT.

Cooking Surface: If a bristle brush is used to clean any of the grill cooking surfaces, ensure no loose bristles remain on cooking surfaces prior to grilling. It is not recommended to clean cooking surfaces while grill is hot.

COOKING TIPS

Building Your Fire



- 1.) Stack charcoal briquettes or wood into a pyramid-shaped pile on top of the charcoal grate. We recommend using 1 pound (approximately 15 briquettes) to start your fire, adding more as needed.
- 2.) If using lighter fluid, saturate the charcoal briquettes with lighter fluid and let it soak in for approximately 5 minutes. If using a chimney starter, electric starter, or other type of fire starter, light your fire according to the manufacturer's instructions.
- 3.) After allowing the lighter fluid to properly soak in, light the pile of briquettes in several locations to ensure an even burn. ***Always light the fire with the grill lid open.*** Leave lid open until briquettes are fully lit. Failure to do this could trap fumes from charcoal lighter fluid in grill and may result in a flash fire when lid is opened.
- 4.) Never add charcoal lighter fluid to hot or warm coals as flashbacks may occur causing injury.
- 5.) You are ready to begin cooking when the pile of briquettes ashes over and produces a red glow (approximately 12 – 15 minutes).
- 6.) Depending on your cooking method, either leave the briquettes in a pile or spread evenly across the charcoal grate using a long-handled poker.





****Always use caution when handling hot coals to prevent injury.***

Know When Your Fire is Ready

Successful charcoal grilling depends on a good fire. The general rule for knowing when your coals are ready for grilling is to make sure that 80 percent or more of the coals are ashy gray. If you have less than that, the coals are not ready, and if all of them are glowing red hot, the fire is probably too hot. Here are a few steps you can take to adjust the temperature of your fire:

- If it is too hot, spread the coals out a bit more, which makes the fire less intense.
- Raise or lower the adjustable charcoal grate.
- Partially close the vents in the grill, which reduces the amount of oxygen that feeds the fire.
- Use the indirect grilling method, with coals to either side of a drip pan and the food over the pan rather than directly over the coals.
- In the event of a severe flare-up, spray the flames with water from a squirt bottle. Be careful, spraying with water tends to blow ashes around and make a mess.
- Add briquettes 2 or 3 at a time to increase the burn time. Allow 10 minutes for coals to ash over before adding more.

	WARNING	
<p>Always open lid <i>BEFORE</i> opening the ash door to check fire or fuel.</p> <p>Always open the ash door slowly. Never attempt to look inside the grill while opening the ash door when the grill is in use.</p> <p>Failure to follow these instructions could result in injury.</p> <p>Unburned gas can accumulate and cause a flash fire if the lid is not opened first.</p>		

THE HEAT OF THE COALS			
	seconds you can hold the palm of your hand 4 inches above the coals	temperature range (F°)	visual cues
 HOT COALS	2	400 to 450	barely covered with gray ash; deep red glow
 MODERATELY HOT TO HOT COALS	3	375 to 450	thin coating of gray ash; deep red glow
 MODERATELY HOT COALS	4	325 to 375	significant coating of gray ash; red glow
 MODERATELY COOL COALS	5	300 to 325	thick coating of gray ash; dull red glow

Direct and Indirect Grilling

Direct Grilling - For most grilling, the ignited coals are spread in a single layer under the food. This is called direct grilling and is appropriate for relatively quick-cooking items such as hamburgers, steaks and most seafood. The single layer of coals emits even, steady heat, whether the grill lid is open or closed, and represents the way most people grill. For more control, pile some of the coals on one side of the grill where they will emit intense heat. You can move the food around on the grill, setting it over the very hot coals when you want to sear it or when a thick piece needs to cook a little more quickly. You can also use the adjustable charcoal grate and dampers to control the temperature in your grill.

Indirect Grilling - For items that take longer to cook, you will want to use indirect grilling. This method is for long, slow cooking in a covered grill. For indirect cooking, the coals are piled two or three coals deep on one side of the grill, or divided and piled on two sides. This leaves an empty space next to the coals or between them. Food cooked over indirect heat is often started over direct heat and then moved to the cooler (empty) part of the grill for even, slow cooking. To make the heat as even as possible, construct two piles of coals. It is common to place a metal drip pan in the empty space beside or between the coals, which is filled with water, wine, beer, broth, or a combination. Place the food directly over the drip pan. This injects a little extra moisture into the cooking environment and also catches dripping juices, which makes clean-up a little easier and reduces the possibility of flare-ups. (Remember to keep a spray bottle filled with water on hand to extinguish any flare-ups.) Once you get used to the indirect method, you may prefer to use it for more grilling tasks. Although it may take a little longer, it is an excellent cooking method and a sure way to prevent the food from burning and to promote even cooking.

Grilling with Wood Chips/Wood Chunks

For a more robust smoke flavor while using charcoal briquettes or lump charcoal, try adding wood chips or several wood chunks to the fire. Wood chunks are available in a variety of natural flavors, and can be used alone or in addition to charcoal. As a general rule, any hardwood that bears a fruit or nut is suitable for cooking. However, different woods have very different tastes. Experiment with different woods to determine your personal favorite, and always use well-seasoned wood. Green or fresh-cut wood can turn food black, and tastes bitter.

Our Recommendations:

Chicken - Alder, Apple, Hickory, Mesquite, Sassafras, Grapevines

Beef - Hickory, Mesquite, Oak, Grapevines

Pork - Fruitwoods, Hickory, Oak, Sassafras

Lamb - Fruitwoods, Mesquite

Veal - Fruitwoods, Grapevines

Seafood - Alder, Mesquite, Sassafras, Grapevines

Vegetables – Mesquite



WARNING



- Most surfaces on this unit are hot when in use. Use extreme caution. Keep others away from unit. Always wear protective clothing to prevent injury.
- Keep children and pets away.
- Do not move this unit during operation.
- Never substitute gasoline, kerosene or alcohol for charcoal starter. In some states, the use of charcoal starter is prohibited by law. In this case, paraffin-based starter cubes can be substituted for charcoal starter. Never use charcoal starter fluid with an electric starter.

USDA Recommended	
Internal Cooking Temperatures	
Ground Meat	
Beef, Pork, Veal, Lamb.....	160°F
Turkey, Chicken.....	165°F
Fresh Beef, Veal, Lamb	
Medium Rare.....	145°F
(let stand 3 minutes before cutting)	
Medium.....	160°F
Well Done.....	170°F
Poultry	
Chicken & Turkey, whole.....	165°F
Poultry Parts.....	165°F
Duck & Goose.....	165°F
Fresh Pork	
Medium Rare.....	145°F
(let stand 3 minutes before cutting)	
Medium.....	160°F
Well Done.....	170°F

LIMITED WARRANTY

This warranty only applies to units purchased from an authorized retailer. Manufacturer warrants to the **original consumer-purchaser** only that this product shall be free from defects in workmanship and materials after correct assembly and under normal and reasonable home use for the periods indicated below beginning on the date of purchase*. The manufacturer reserves the right to require that defective parts be returned, postage and or freight pre-paid by the consumer for review and examination.

<u>SCOPE OF COVERAGE</u>	<u>PERIOD OF COVERAGE</u>	<u>TYPE OF FAILURE COVERAGE</u>
All Parts	90 days from date of purchase*	PERFORATION, MANUFACTURING, AND MATERIAL DEFECTS ONLY

*Note: A dated sales receipt WILL be required for warranty service.

The original consumer-purchaser will be responsible for all shipping charges for parts replaced under the terms of this limited warranty.

This limited warranty is applicable in the United States and Canada only, is only available to the original owner of the product and is not transferable. **Manufacturer requires proof of your date of purchase. Therefore, you should retain your sales slip or invoice.** Registering your product is not a substitute for proof of purchase and the manufacturer is not responsible for or required to retain proof of purchase records.

This limited warranty applies to the functionality of the product ONLY and does not cover cosmetic issues such as scratches, dents, corrossions or discoloring by heat, abrasive and chemical cleaners or any tools used in the assembly or installation of the appliance, surface rust, or the discoloration of stainless steel surfaces. **RUST is not considered a manufacturing or materials defect.**

This limited warranty will not reimburse you for the cost of any inconvenience, food, personal injury or property damage.

ITEMS MANUFACTURER WILL NOT PAY FOR:

1. Shipping cost, standard or expedited, for warranty and replacement parts
2. Service calls to your home.
3. Repairs when your product is used for other than normal, single-family household or residential use.
4. Damage, failures, or operating difficulties resulting from accident, alteration, careless handling, misuse, abuse, fire, flood, acts of God, improper installation or maintenance, installation not in accordance with electrical or plumbing codes, or use of products not approved by the manufacturer.
5. Any food loss due to product failures or operating difficulties.
6. Replacement parts or repair labor costs for units operated outside the United States or Canada.
7. Pickup and delivery of your product.
8. Repairs to parts or systems resulting from unauthorized modifications made to the product.
9. The removal and/or reinstallation of your product.

DISCLAIMER OF IMPLIED WARRANTIES and LIMITATION OF REMEDIES

Repair or replacement of defective parts is your exclusive remedy under the terms of this limited warranty. In the event of parts availability issues, the manufacturer reserves the right to substitute like or similar parts that are equally functional.

Manufacturer will not be responsible for any consequential or incidental damages arising from the breach of either this limited warranty or any applicable implied warranty, or for failure or damage resulting from acts of God, improper care and maintenance, grease fire, accident, alteration, replacement of parts by anyone other than Manufacturer, misuse, transportation, commercial use, abuse, hostile environments (inclement weather, acts of nature, animal tampering), improper installation or installation not in accordance with local codes or printed manufacturer instructions.

THIS LIMITED WARRANTY IS THE SOLE EXPRESS WARRANTY GIVEN BY THE MANUFACTURER. NO PRODUCT PERFORMANCE SPECIFICATION OR DESCRIPTION WHEREVER APPEARING IS WARRANTED BY MANUFACTURER EXCEPT TO THE EXTENT SET FORTH IN THIS LIMITED WARRANTY. ANY IMPLIED WARRANTY PROTECTION ARISING UNDER THE LAWS OF ANY STATE, INCLUDING IMPLIED WARRANTY OF MERCHANTABILITY OR FITNESS FOR A PARTICULAR PURPOSE OR USE, IS HEREBY LIMITED IN DURATION TO THE DURATION OF THIS LIMITED WARRANTY.

Neither dealers nor the retail establishment selling this product has any authority to make any additional warranties or to promise remedies in addition to or inconsistent with those stated above. Manufacturer's **maximum liability**, in any event, shall not exceed the purchase price of the product paid by the original consumer.

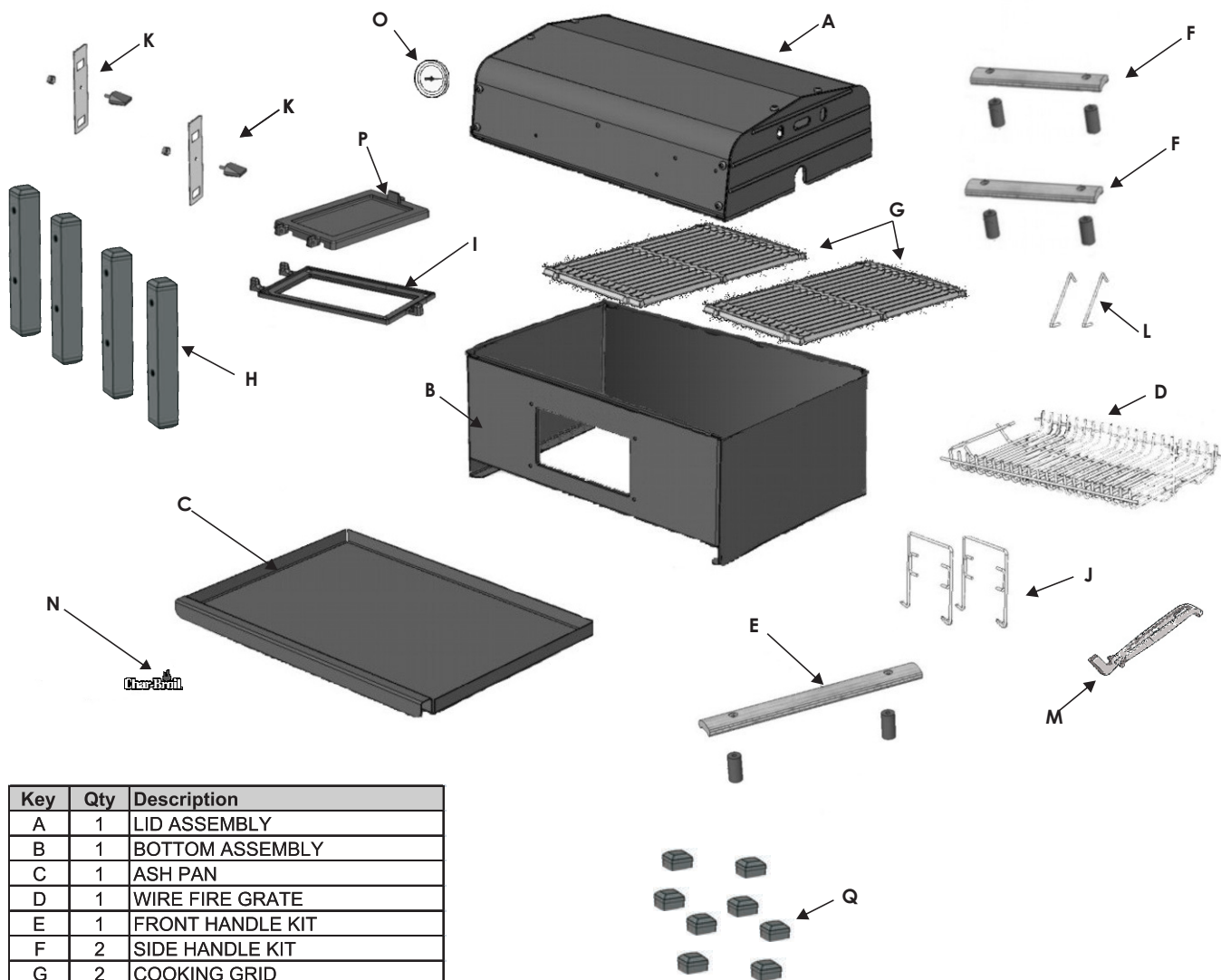
NOTE: Some states do not allow an exclusion or limitation of incidental or consequential damages, so some of the above limitations or exclusions may not apply to you. This limited warranty gives you specific legal rights as set forth herein. You may also have other rights which vary from state to state. In the state of California only, if refinishing or replacement of the product is not commercially practicable, the retailer selling this product or the Manufacturer will refund the purchase price paid for the product, less the amount directly attributable to use by the original consumer-purchaser prior to discovery of the nonconformity. In addition, in the state of California only, you may take the product to the retail establishment selling this product in order to obtain performance under this limited warranty.

If you wish to obtain performance of any obligation under this limited warranty, you should write to:

**Consumer Relations
P. O. Box 1240
Columbus, GA 31902-1240**

Consumer returns will not be accepted unless a valid Return Authorization is first acquired. Authorized returns are clearly marked on the outside of the package with an RA number and the package is shipped freight/postage pre-paid. Consumer returns that do not meet these standards will be refused.

PARTS LIST



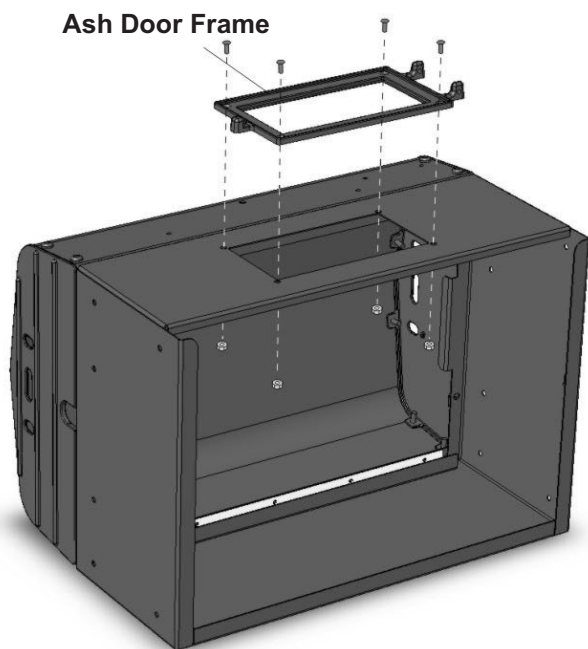
Key	Qty	Description
A	1	LID ASSEMBLY
B	1	BOTTOM ASSEMBLY
C	1	ASH PAN
D	1	WIRE FIRE GRATE
E	1	FRONT HANDLE KIT
F	2	SIDE HANDLE KIT
G	2	COOKING GRID
H	4	LEG KIT
I	1	FRAME, CLEAN OUT DOOR
J	2	FIRE GRATE HANGER
K	2	VENT PLATE KIT
L	2	WIRE STOP, LID
M	1	GRATE LIFTER TOOL
N	1	LOGO PLATE KIT
O	1	TEMPERATURE GAUGE
P	1	DOOR, CLEAN OUT
Q	8	LEG END CAP

NOT Pictured

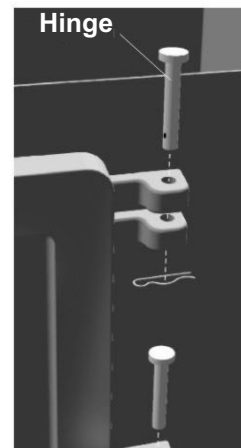
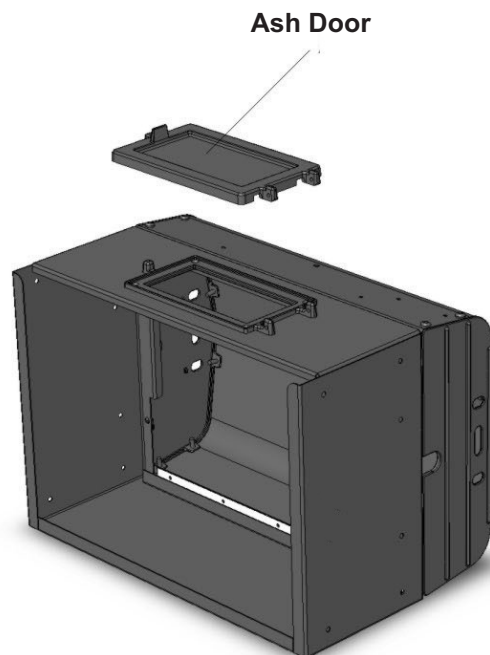
	1	HARDWARE BAG
	1	ASSEMBLY INSTRUCTIONS ENGLISH/FRENCH

First, pick a suitable location to work. Open the carton and slit the corners. This will give a protective surface upon which to start the assembly. During assembly, refer to the attached Hardware List near the back of this manual.

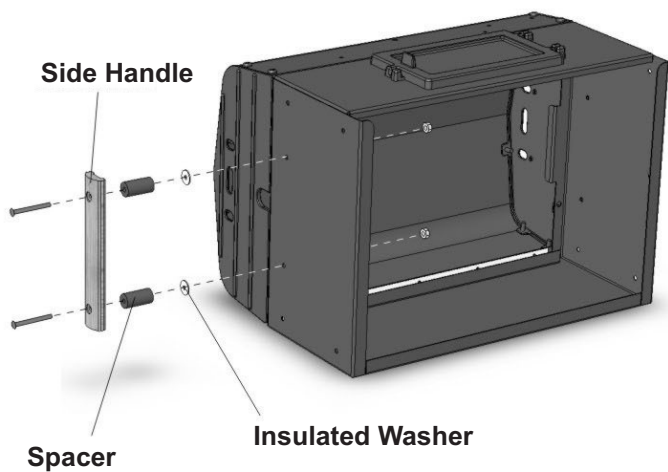
- 1 Remove the packaged parts from inside the Grill and lay the Grill on its back. Attach **Ash Door Frame** to the front of Grill Bottom using four #10-24x1/2" Flat-Head Machine Screws and Flange Nuts.



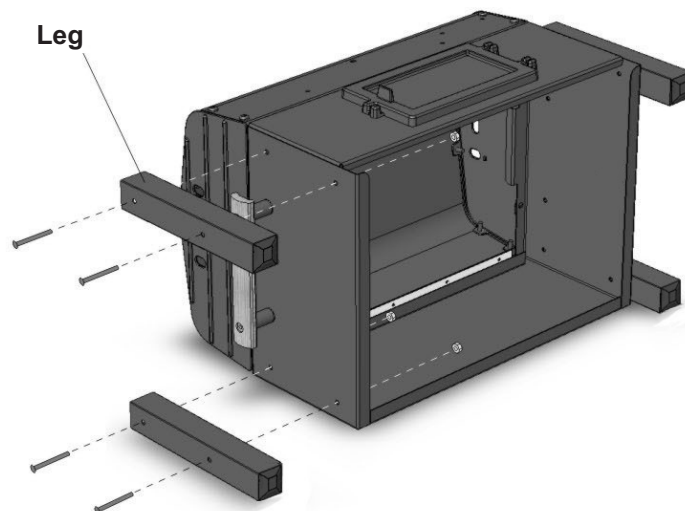
- 2 Attach **Ash Door** to Frame using two Hinge Pins and Cotter Pins.



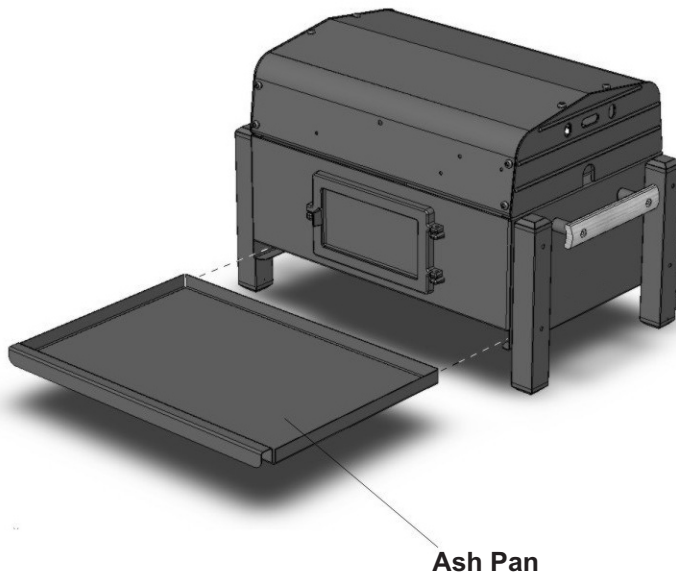
- 3 Attach two **Spacers** and **Side Handles** to Grill Bottom using two 1/4-20x2 1/2" Machine Screws, **Insulated Washers**, and 1/4-20 Flange Nuts per side.



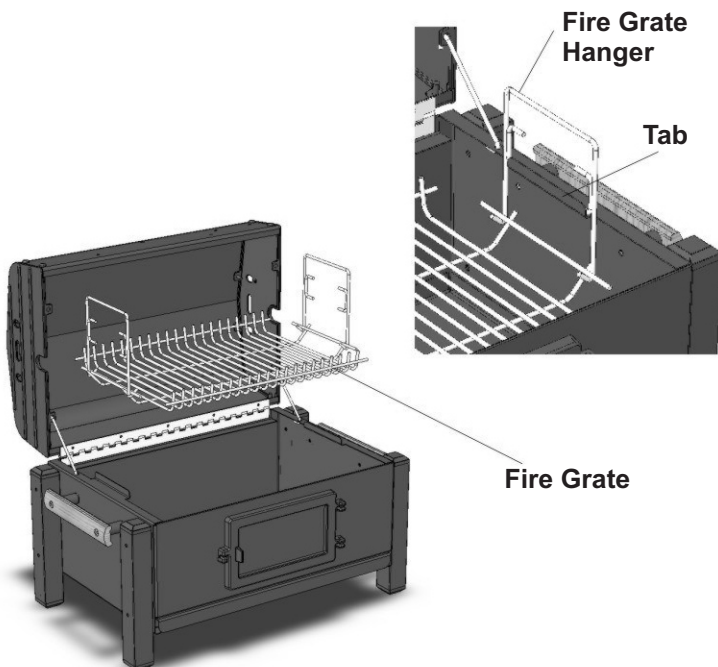
- 4 Attach four **Legs** using two 1/4-20x2" Machine Screws and 1/4-20 Flange Nuts per leg.



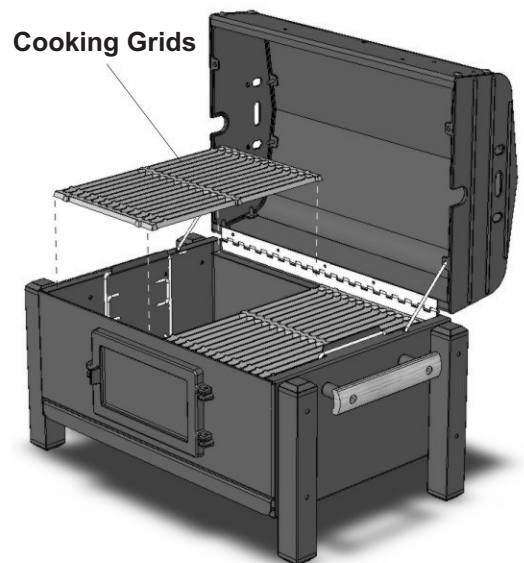
5 Slide **Ash Pan** into front of Grill Bottom.



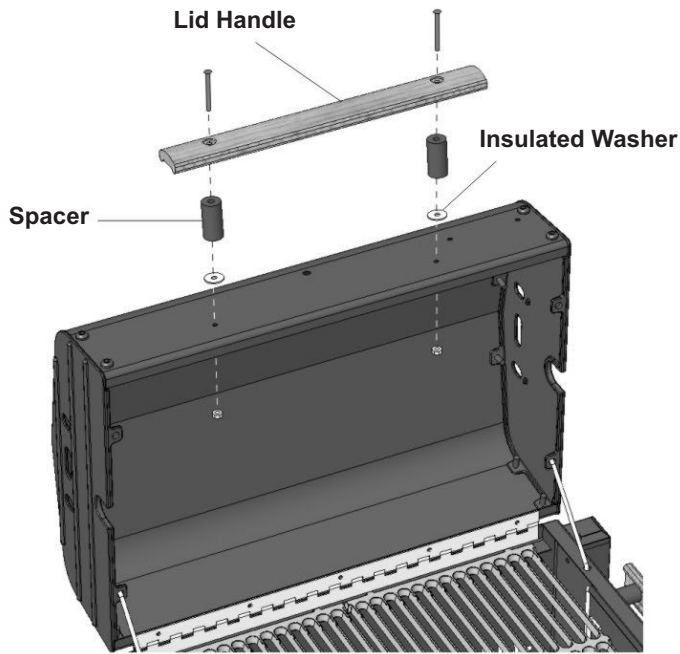
6 Open Lid and attach two **Fire Grate Hangers** to **Fire Grate** (hooks point inward toward Grate). Lower into Grill Bottom and hang from **Tabs** on each side.



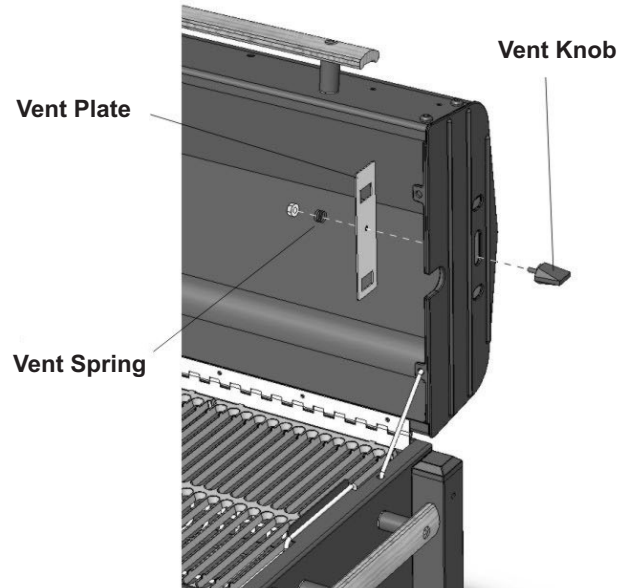
7 Place **Cooking Grids** into Grill Bottom. Note: use the provided Grate Lifting Tool to lift hot Cooking Grates.



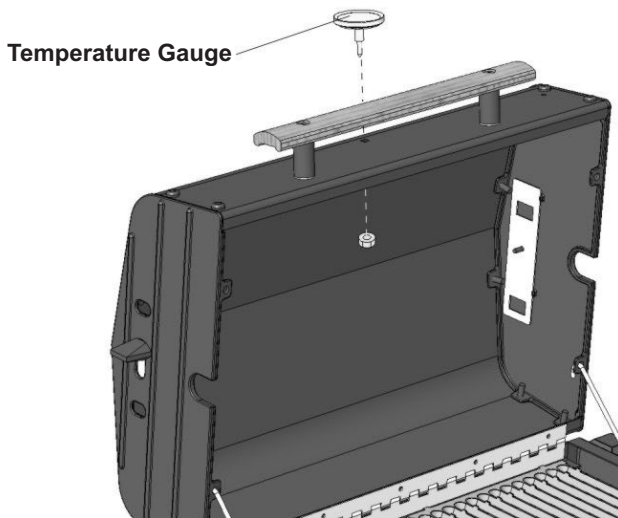
- 8 Attach two **Spacers** and **Lid Handle** to Grill Lid using two 1/4-20x2 1/2" Machine Screws, Insulated Washers, and 1/4-20 Flange Nuts.



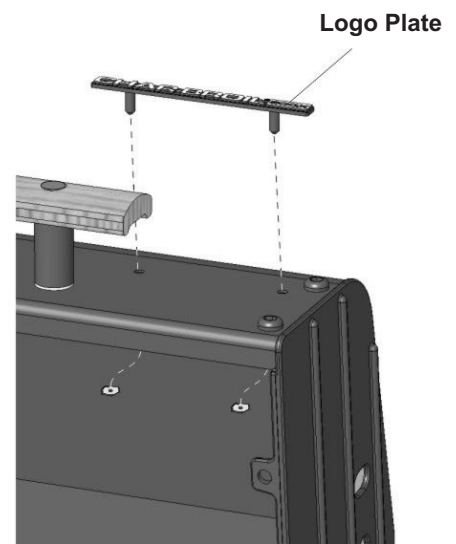
- 9 Insert **Vent Knobs** into side of Grid Lid from the outside. Inside the Grill Lid, slide a **Vent Plate** onto the Knob stud followed by a **Vent Spring** and a #10-24 Hex Nut. Tighten just enough to allow Vent to slide freely from side to side. Repeat for other side.



- 10 Install **Temperature Gauge** by placing the stem through the large hole in front of the Grill Lid. Attach the nut provided until snug against the Lid.



- 11 Attach the **Logo Plate** by inserting the two pins into the small holes on the front of the Grill Lid. From the inside of the Lid, press the Logo Plate Clips onto the pins until they are snug against the Lid.



HARDWARE LIST

Hardware is shown actual size. You may have spare hardware after assembly is complete.



Insulated Washer
Qty: 6



1/4-20 Flange Nut
Qty: 14



#10-24 Flange Nut
Qty: 4



#10-24 Hex Nut
Qty: 2



Vent Spring
Qty: 2



Small Cotter Pin
Qty: 2



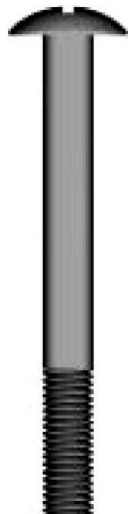
Logo Plate Clip
Qty: 2



Vent Knob
Qty: 2



Handle Spacer
Qty: 6



1/4-20x2 1/2"
Machine Screw
Qty: 6



1/4-20 x 2"
Machine Screw
Qty: 8



Hinge Pin
Qty: 2



#10-24x1/2"
Flat-Head
Machine Screw
Qty: 4



WARNING



**MOST SURFACES ON THIS UNIT ARE HOT WHEN IN USE.
USE EXTREME CAUTION. KEEP OTHERS AWAY FROM UNIT.
ALWAYS WEAR PROTECTIVE CLOTHING TO PREVENT INJURY.**

Thank you for recent purchase from Char-Broil!

Register your product to receive a special offer
www.charbroil.com/register

Check out these great features on our website!

- Product information
- Grilling accessories
- Replacement parts
- Reliable customer support
- Delicious recipes
- Grilling tips from expert chefs
- Exciting events and promotions
- Share your grilling secrets
- Browse the on-line store
- And much more!



Char-Broil

www.charbroil.com
For all your grilling needs!

TABLE DES MATIÈRES

Information sur l'enregistrement du produit	1
Guide des produits anglaise	2-11
Symboles de sécurité	13
Préparation à l'utilisation de votre Grill	14
Entretien	14
Conseils culinaires	15-16
Garantie limitée	17
Liste des pièces / schéma des pièces	18
Assemblée	19-21
La liste des matériels	22
Carte d'enregistrement	24

Ce manuel d'instructions renferme des renseignements importants pour vous aider à assembler l'appareil correctement et à l'utiliser en toute sécurité.

Respectez toutes les mises en garde et instructions lorsque vous utilisez l'appareil.

Symboles de sécurité

Vous trouverez ci-dessous une explication de la signification de chaque symbole. Lisez et respectez toutes les consignes qui apparaissent partout dans le présent guide.



DANGER : indique une situation extrêmement dangereuse imminente qui, si elle n'est pas évitée, entraînera la mort ou des blessures graves.



AVERTISSEMENT : indique une situation potentiellement dangereuse qui, si elle n'est pas évitée, pourrait entraîner la mort ou des blessures graves.



ATTENTION : indique une situation potentiellement dangereuse ou une pratique à risque qui, si elle n'est pas évitée, pourrait entraîner des blessures mineures ou modérément graves.



LE FAIT DE NE PAS LIRE ET RESPECTER LES INSTRUCTIONS POUR ALLUMER LE CHARBON PEUT ENTRAÎNER DE GRAVES BLESSURES, DES DOMMAGES MATÉRIELS OU LES DEUX.



La plupart des surfaces de cet appareil deviennent chaudes pendant l'utilisation. Soyez extrêmement prudent. Gardez les autres personnes à l'écart de l'appareil. Portez toujours des vêtements de protection pour éviter les blessures.

Tenez les enfants et les animaux de compagnie à l'écart de l'appareil.

Ne déplacez pas cet appareil pendant son fonctionnement.

Ne remplacez jamais l'allume-feu liquide par de l'essence, du kérosène ou de l'alcool. Dans certains États, l'usage d'allume-feu liquide est interdit par la loi. Dans un tel cas, les allume-feu à base de cubes de paraffine peuvent être utilisés à la place de l'allume-feu liquide. N'utilisez jamais d'allume-feu liquide avec un allume-feu électrique.



PROPOSITION 65 DE CALIFORNIE

1. Les sous-produits de combustion libérés lors de l'utilisation de ce produit sont reconnus dans l'État de Californie comme étant susceptibles de causer le cancer, des anomalies congénitales, ou autres dangers relatifs à la reproduction.

2. Ce produit contient des produits chimiques, y compris du plomb et des composés au plomb, reconnus dans l'État de Californie comme étant susceptibles de causer le cancer, des anomalies congénitales, ou autres dangers relatifs à la reproduction.

Lavez-vous les mains après avoir manipulé cet appareil.



Les surfaces peuvent devenir chaudes pendant l'utilisation de l'appareil. Portez des gants de cuisine pour vous protéger contre les brûlures.

N'utilisez pas cet appareil sur ou près des surfaces et des matières combustibles telles que les terrasses en bois, les feuilles et les herbes sèches, les parements en vinyle ou en bois, etc.

CONSULTEZ LE MANUEL DU PROPRIÉTAIRE POUR PRENDRE CONNAISSANCE DES CONSIGNES DE SÉCURITÉ IMPORTANTES.



Pour utilisation domestique uniquement. Ne pas utiliser à des fins commerciales.

PRÉPARATIFS POUR UTILISER LE GRIL

Avant de faire la cuisson avec votre grill, suivez les étapes que voici pour traiter le fini du grill et apprêter l'acier à l'intérieur. Si ces étapes de préparation ne sont pas suivies de façon appropriée, le fini de votre grill peut être endommagé et un goût métallique peut imprégner les premiers aliments préparés dans le grill.

- Badigeonnez toutes les surfaces intérieures y compris les grilles de cuisson et les grilles de foyer avec de l'huile de cuisson végétale.
- Allumez un petit feu sur le panier à braise en veillant à ne pas mettre le charbon contre les parois du grill.
- Fermez le couvercle et ouvrez les registres à papillon environ au quart. Laissez ce feu brûler pendant au moins deux heures. Commencez à augmenter la température en ouvrant les registres à papillon à moitié et en ajoutant davantage de charbon. Votre grill est maintenant prêt à l'usage.

De la rouille peut se produire à l'intérieur de votre grill. Protégez les surfaces intérieures de votre grill en continuant de les enduire d'une légère couche d'huile végétale. Les surfaces extérieures du grill peuvent nécessiter une retouche de temps en temps. Nous vous recommandons d'utiliser une peinture noire à pulvériser à température élevée disponible en magasin. **NE PEINTUREZ JAMAIS L'INTÉRIEUR DU GRIL!**

S'il vous plaît voir les informations concernant les grilles en fonte sans revêtement ci-dessous.

Utilisez Time Premières:

Avant utilisant une grille fonte ou autre outil cuisson fonte, le laver soigneusement à un liquide vaisselle doux pour enlever la cire protectrice appliquée pour expédition. Rincage chaud et sécher complètement avec un chiffon doux ou essuie. **JAMAIS LAISSER DRAIN DRY OU WASH DANS UN VAISSELLE.** Maintenant saison les grilles pour empêcher rouille et collage.

Assaisonnement:

Un raccourcissement végétale solide est recommandé pour l'assaisonnement initial. Étaler une mince couche de raccourcissement végétale solide sur toute la surface, incluant toutes coins, avec un essuie. N'utilisez pas graisses salées comme beurre ou margarine.

grill Préchauffer pendant 15 minutes; placer soigneusement grilles dans le grill. Laisser le barbecue chaleur grilles pour 1 à 1 ½ heures. Laissez le feu burn out sur son propres, et laisser grilles de cuisson dans grill jusqu'à ce qu'ils sont cool. Votre grilles fonte cuisson sont maintenant prêt à utiliser.

Pour prévenir la rouille:

Re-saison votre grilles fréquemment, particulier lorsque de nouveaux. Si rouille survient, c'est une indication que le grilles n'ont pas suffi assaisonné ou l'assaisonnement a été brûlé. Nettoyer avec une brosse lourds comme Char-Broil's Brush Hawg. shortening végétal Réappliquez et chaleur comme indiqué précédemment à re-saison les grilles.

Entretien:

Ne pas ne une brûlure-off après vous grill, mais plutôt quitter le résidus cuisson sur les grilles garder un revêtement protecteur sur la fonte. Ne une brûlure-off juste avant vous grill. Le Plus vous utilisez votre grilles fonte, plus la maintenance sera.

Conserver dans un endroit sec. Si vous stockez vos grilles pour une période prolongée, graisse très légèrement avec shortening végétal, puis essuyez avec un essuie.

CUISSON SUR LE GRIL

Le charbon est recommandé, mais le bois ou une combinaison de charbon et de bois peut aussi être utilisé comme source de carburant pour le grill, la source de combustible devant être placée et allumée sur le panier à braise. N'allumez pas un feu trop grand. Nous recommandons de faire partir le feu avec au maximum 1 livres de charbon (environ 15 briquettes) et d'ajouter plus de charbon au cours de la cuisson. Après avoir laissé le feu baisser, placez la grille de cuisson dans le grill. Le fait de ne pas lire et respecter les instructions pour allumer le charbon peut entraîner de graves blessures, des dommages matériels ou les deux.

ENTRETIEN DU GRIL

La fréquence à laquelle il faut nettoyer le grill dépend de l'usage qu'on en fait. Assurez-vous que le charbon est entièrement éteint avant de nettoyer l'intérieur de l'appareil. Rincez l'intérieur à grande eau et laissez sécher à l'air libre avant d'utiliser le grill de nouveau. Essuyez l'intérieur de l'appareil avec des serviettes en étoffe ou en papier.

Une fois que la cuisson est terminée et que l'appareil a suffisamment refroidi, nettoyez toutes les cendres restantes. Elles absorbent l'humidité, ce qui mène prématurément à la détérioration et à la corrosion de l'appareil. Enduisez de façon périodique les surfaces intérieures de l'appareil avec de l'huile végétale, ce qui contribuera à le protéger. Vous devez également réappliquer à l'occasion une couche de peinture sur l'extérieur. Il est recommandé d'utiliser une peinture noire à pulvériser résistante à une haute température. **NE PEINTUREZ JAMAIS L'INTÉRIEUR DE L'APPAREIL.**

Surface de cuisson : si une brosse avec soies est employée pour nettoyer les surfaces de cuisson du grill, assurez-vous qu'aucune soie ne reste sur les surfaces de cuisson. Il n'est pas recommandé de nettoyer les surfaces de cuisson lorsqu'elles sont encore chaudes.

CONSEILS POUR LA CUISSON

Comment allumer votre feu

- 1.) Empilez les briquettes de charbon ou le bois en forme de pyramide sur le dessus de la grille de charbon ou du panier à braise. Nous recommandons d'utiliser 1 livre de charbon (environ 15 briquettes) pour allumer votre feu et d'en ajouter d'autres au besoin.
- 2.) Si vous utilisez un allume-feu liquide, saturez les briquettes de charbon et laissez-les s'imprégner pendant environ 5 minutes. Si vous utilisez une cheminée d'allumage, un allume-feu électrique ou tout autre type d'allume-feu, allumez votre feu conformément aux instructions du fabricant.
- 3.) Après avoir laissé l'allume-feu liquide bien s'imprégner, allumez la pile de briquettes à plusieurs endroits afin qu'elle brûle de façon uniforme. **Le couvercle du gril doit toujours être ouvert lorsque vous allumez votre gril.**
Laissez le couvercle ouvert jusqu'à ce que les briquettes soient complètement allumées. Si cela n'est pas fait, les vapeurs de l'allume-feu liquide pourraient être emprisonnées dans le gril et produire un embrasement éclair lors de l'ouverture du couvercle.
- 4.) N'ajoutez jamais d'allume-feu liquide sur des briquettes chaudes; le retour de flamme produit pourrait causer des blessures.
- 5.) Vous pouvez commencer la cuisson lorsque la pile de briquettes se transforme en cendres et produit une lueur rouge (environ 12 à 15 minutes).
- 6.) Selon votre méthode de cuisson, vous pouvez soit laisser les briquettes empilées, soit les étendre uniformément sur la grille de charbon au moyen d'un tisonnier à long manche.





***Soyez toujours prudent lors de la manipulation de briquettes chaudes afin d'éviter les blessures.**

Sachez quand votre feu est prêt

Pour réussir la cuisson au charbon, un bon feu est nécessaire. En général, votre charbon est prêt pour la cuisson lorsque 80 % ou plus des briquettes sont gris cendre. Si vous en avez moins, les briquettes ne sont pas prêtes et si elles sont toutes rouges, votre feu est probablement trop chaud. Voici quelques mesures à prendre pour ajuster la température de votre feu :

- Si le feu est trop chaud, étendez davantage les briquettes, ce qui le rend moins intense.
- Haussez ou baissez la grille réglable de charbon.
- Fermez partiellement les événements du gril, ce qui réduit la quantité d'oxygène alimentant le gril.
- Employez la méthode de cuisson indirecte, avec des briquettes de chaque côté d'un plateau d'écoulement de la graisse et les aliments au-dessus du plateau et non directement au-dessus des briquettes.
- En cas de flambée importante, pulvérisez les flammes avec de l'eau au moyen d'une gourde. Soyez prudent car la pulvérisation avec de l'eau a tendance à projeter de la cendre partout et à faire des dégâts.
- Ajoutez les briquettes 2 ou 3 à la fois afin d'augmenter la durée de la combustion. Laissez les briquettes se transformer en cendre pendant 10 minutes avant d'en ajouter d'autres.

	AVERTISSEMENT	
<p>Ouvrez toujours le couvercle AVANT d'ouvrir la porte de nettoyage pour vérifier le feu ou le combustible.</p> <p>Ouvrez toujours la porte de nettoyage lentement. Ne tentez jamais de regarder à l'intérieur du gril en ouvrant la porte de nettoyage pendant que le gril est en cours d'utilisation.</p> <p>Si ces instructions ne sont pas suivies, des blessures pourraient s'ensuivre.</p> <p>Du gaz non brûlé peut s'accumuler et causer un embrasement éclair si le couvercle n'est pas ouvert d'abord.</p>		

LA CHALEUR DES BRIQUETTES				
	nombre de secondes que vous pouvez tenir la paume de la main à 4 pouces au-dessus des briquettes	Plage de température (°F)	indications visuelles	
	BRIQUETTES CHAUDES	2	400 à 450	à peine recouvert de cendre grise; leur rouge vive
	BRIQUETTES CHAUDES À MODÉRÉMENT CHAUDES	3	375 à 450	mince couche de cendre grise; leur rouge vive
	BRIQUETTES MODÉRÉMENT CHAUDES	4	325 à 375	couche importante de cendre grise; leur rouge
	BRIQUETTES MOYENNEMENT FROIDES	5	300 à 325	épaisse couche de cendre grise; faible leur rouge

Cuisson au gril directe et indirecte

Cuisson au gril directe La majeure partie du temps, les briquettes allumées sont étendues sur une seule couche sous les aliments. Cette méthode s'appelle la cuisson directe : elle convient aux aliments qui cuisent relativement rapidement, tels que les hamburgers, les steaks et la plupart des fruits de mer. La couche unique de briquettes produit une chaleur régulière et uniforme, que le couvercle du gril soit ouvert ou fermé, et constitue la manière dont la plupart des gens cuisent au gril. Pour obtenir un meilleur contrôle, empilez une partie des briquettes sur un côté du gril, où elles produiront une chaleur intense. Vous pouvez déplacer les aliments sur la grille, en les plaçant au-dessus des briquettes très chaudes lorsque vous souhaitez les saisir ou lorsqu'il faut faire cuire un morceau épais un peu plus rapidement. Vous pouvez également utiliser la grille de charbon et les registres réglables pour contrôler la température dans votre gril.

Cuisson au gril indirecte Pour les aliments qui mettent plus longtemps à cuire, il est préférable d'utiliser la cuisson indirecte. Cette méthode est utilisée pour une cuisson longue et lente dans un gril au couvercle fermé. Pour la cuisson indirecte, les briquettes forment une couche de deux ou trois briquettes d'épaisseur sur un côté du gril ou sont divisées et empilées des deux côtés. Cela laisse un espace vide à côté des briquettes ou entre les piles. Avec la cuisson indirecte, la cuisson des aliments commence souvent par une cuisson directe avant que les aliments ne soient placés au-dessus de la partie plus froide (vide) du gril, où ils peuvent cuire lentement et uniformément. Pour que la chaleur soit la plus uniforme possible, faites deux piles de briquettes. Il est courant de placer dans l'espace vide à côté des briquettes ou entre les piles de briquettes une lèchefrite en métal remplie d'eau, de vin, de bière, de bouillon ou d'une combinaison de ces liquides. Placez les aliments directement au-dessus de la lèchefrite. Cela ajoute de l'humidité supplémentaire au milieu de cuisson et capte également les jus de cuisson, ce qui facilite le nettoyage et réduit la possibilité de flambées soudaines. (N'oubliez pas de garder une bouteille à pulvériser remplie d'eau à portée de la main pour éteindre les flambées soudaines.) Lorsque vous vous serez habitué à la méthode indirecte, vous préférerez peut-être l'utiliser pour davantage de tâches de cuisson. Bien qu'elle soit un peu plus longue, il s'agit d'une excellente méthode de cuisson : c'est une façon sûre d'empêcher les aliments de brûler et de favoriser une cuisson uniforme.

Cuisson avec des morceaux ou des copeaux de bois

Pour donner un arôme fumé plus fort à la nourriture lorsque vous employez des briquettes ou des blocs de charbon, ajoutez des copeaux de bois ou plusieurs morceaux de bois dans le foyer. Il est possible de se procurer des fragments de bois selon toute une gamme d'arômes naturels. Ils peuvent être utilisés seuls ou avec le charbon de bois. De façon générale, toute essence de bois dur qui produit des fruits ou des noix représente un combustible adéquat pour la cuisson au gril. Veuillez toutefois noter que différentes essences de bois produisent des saveurs différentes. Essayez différentes essences de bois pour déterminer votre arôme préféré et utilisez toujours du bois bien séché. Le bois vert ou fraîchement abattu peut noircir les aliments et leur donne un goût amer.

Saveur douce

Pacanier
Pommier
Pêcher

Saveur moyenne

Caryer
Chêne blanc
Cerisier

Saveur forte

Mesquite
Chêne du Maryland
Chêne rouge

	AVERTISSEMENT	
<p>La plupart des surfaces de cet appareil deviennent chaudes pendant l'utilisation. Soyez extrêmement prudent. Tenez les autres personnes à l'écart de l'appareil. Portez toujours des vêtements de protection pour éviter les blessures.</p> <p>Tenez les enfants et les animaux de compagnie à l'écart de l'appareil.</p> <p>Ne déplacez pas cet appareil pendant son fonctionnement.</p> <p>Ne remplacez jamais l'allume-feu liquide par de l'essence, du kérosène ou de l'alcool. Dans certains États, l'usage d'allume-feu liquide est interdit par la loi. Dans un tel cas, les allume-feu à base de cubes de paraffine peuvent être utilisés à la place de l'allume-feu liquide. N'utilisez jamais d'allume-feu liquide avec un allume-feu électrique.</p>		

Températures de cuisson internes	
Recommandées par l'USDA	
Viande hachée	
Bœuf, porc, veau, agneau.....	160 °F
Dinde, poulet.....	165 °F
Bœuf, veau, agneau frais	
Mi-saignant.....	145 °F (laisser reposer 3 minutes avant de couper)
À point.....	160 °F
Bien cuit.....	170 °F
Volaille	
Poulet et dinde entiers.....	165 °F
Morceaux de volaille.....	165 °F
Canard et oie.....	165 °F
De Porc Fresh	
Mi-saignant.....	145 °F (laisser reposer 3 minutes avant de couper)
À point.....	160 °F
Bien cuit.....	170 °F

GARANTIE LIMITÉE

La présente garantie n'est valide que pour les appareils achetés auprès d'un détaillant autorisé. Le fabricant garantit à **l'acheteur initial**, et uniquement celui-ci, que le produit est exempt de tout défaut de matériel et de main-d'œuvre, dans la mesure où il a été assemblé correctement, qu'il est utilisé de façon normale et raisonnable à des fins personnelles, et ce, pendant la durée de la période indiquée ci-dessous et commençant le jour de la d'achat du produit*. Le fabricant se réserve le droit de demander au client que les pièces défectueuses lui soient expédiées, port ou fret prépayé, pour fins d'examen.

<u>Portée de la couverture</u>	<u>Période de couverture</u>	<u>Type de défaillances couvertes</u>
Toutes les parties	90 jours à compter de la date d'achat *	Perforation, Défauts de fabrication et de matériel Uniquement

*Remarque : dans la mesure où le client inscrit le produit et fournit un exemplaire du reçu de caisse ou de la facture portant la date de l'achat, la période de couverture de la garantie sera étendue de façon à commencer à la date d'achat du produit.

L'acheteur initial assume la responsabilité de l'ensemble des frais d'expédition pour le remplacement de pièces en vertu des modalités de la présente garantie limitée.

Cette garantie limitée n'est valide qu'aux États-Unis et au Canada; elle n'est en vigueur que pour l'acheteur initial du produit et n'est pas transférable. **Le fabricant exigera une preuve de la date d'achat. Par conséquent, vous devez conserver votre reçu de caisse ou votre facture.** L'enregistrement du produit ne constitue pas une preuve d'achat. Il n'appartient pas au fabricant de tenir un dossier des achats des clients.

La présente garantie limitée vise **UNIQUEMENT** le fonctionnement du produit et elle ne touche donc pas les questions esthétiques, telles les égratignures, les bosses, la corrosion ou la décoloration causée par la chaleur, des nettoyants abrasifs ou chimiques, quelque outil que ce soit employé lors de l'assemblage ou de l'installation de l'appareil, la rouille en surface, ni la décoloration des surfaces en acier inoxydable. **Rouille n'est pas considéré comme un matériel de fabrication ou de défaut.**

La présente garantie limitée ne couvre pas le remboursement de frais associés à un inconfort, à une perte de nourriture, à des blessures personnelles ou au bris de biens matériels.

ÉLÉMENTS NON REMBOURSÉS PAR LE FABRICANT :

1. Frais d'expédition, service régulier ou accéléré, tant pour une pièce couverte par la garantie que pour une pièce de rechange.
2. Visite d'un réparateur à votre domicile.
3. Les réparations lorsque le produit est employé à des fins autres qu'un usage normal résidentiel pour une seule famille.
4. Des dommages, des défaillances ou des difficultés de fonctionnement découlant d'un accident, d'une modification, d'une manipulation négligente, d'une mauvaise utilisation, d'un usage abusif, d'un incendie, d'une inondation, d'une catastrophe naturelle, d'une installation ou d'un entretien inadéquats, d'un montage non conforme aux codes de l'électricité et de plomberie en vigueur, ou de l'utilisation de produits non approuvés par le fabricant.
5. Toute perte de nourriture causée par une défaillance du produit ou des difficultés de fonctionnement.
6. Les pièces de rechange ou les coûts de la main-d'œuvre pour un appareil ayant fonctionné hors des États-Unis ou du Canada.
7. Le ramassage et la livraison du produit.
8. La réparation de pièces ou de systèmes suite à des modifications non autorisées apportées au produit.
9. Le démontage ou la réinstallation de l'appareil.

STIPULATION D'EXONÉRATION DE GARANTIES et LIMITATION DES RECOURS

La réparation ou le remplacement d'une pièce défectueuse constitue votre seul recours en vertu des modalités de la présente garantie limitée. En cas de problèmes de disponibilité des pièces, le constructeur se réserve le droit de remplacer des pièces similaires qui sont également fonctionnels. Le fabricant n'assume aucune responsabilité pour tout dommage consécutif ou accessoire découlant d'une violation soit de la présente garantie soit de toute autre garantie tacite, ou pour une défaillance ou des dommages résultant d'une calamité naturelle, d'un entretien inadéquat, d'un incendie de graisse, d'un accident, d'une modification apportée à l'appareil, du remplacement de pièces par une personne autre que le fabricant, d'un mauvais usage, du transport, d'une utilisation commerciale, d'un usage abusif, de la présence d'environnements hostiles (temps non clément, catastrophes naturelles, altération par les animaux), d'une installation inadéquate ou non conforme aux codes locaux, ou des instructions imprimées du fabricant.

LA PRÉSENTE GARANTIE LIMITÉE CONSTITUE L'UNIQUE GARANTIE EXPLICITE ÉMISE PAR LE FABRICANT. LE FABRICANT NE FORMULE AUCUNE DÉCLARATION NI DESCRIPTION DE RENDEMENT ASSOCIÉE AU PRODUIT, PEU IMPORTE OÙ CELLE-CI POURRAIT FIGURER, SAUF DANS LES ÉNONCÉS DE LA PRÉSENTE GARANTIE LIMITÉE. TOUTE PROTECTION DE GARANTIE TACITE DÉCOULANT DES LOIS D'UN ÉTAT OU D'UNE PROVINCE, Y COMPRIS LES GARANTIES IMPLICITES DE QUALITÉ MARCHANDE OU D'ADAPTATION À UN USAGE OU OBJECTIF PARTICULIER., SE LIMITE À LA DURÉE DE LA PRÉSENTE GARANTIE LIMITÉE.

Ni les représentants commerciaux ni les détaillants vendant l'appareil n'ont l'autorisation de produire une garantie supplémentaire ni de promettre des recours s'ajoutant à ceux mentionnés ci-dessus, qu'ils soient ou non compatibles avec ceux-ci. Dans tous les cas, la responsabilité maximale du fabricant ne pourra dépasser le prix d'achat de l'appareil payé par l'acheteur initial.

REMARQUE : certains États ou certaines provinces n'autorisent pas les exclusions ou les restrictions de dommages consécutifs ou accessoires, de sorte qu'il est possible que certaines des restrictions ou exclusions ci-dessus ne s'appliquent pas à vous. La présente garantie limitée vous donne des droits juridiques spécifiques qui sont exposés aux présentes. Il est possible que vous disposiez d'autres droits qui peuvent varier d'un État et d'une province à l'autre. Dans l'État de Californie uniquement, si la remise en état ou le remplacement du produit n'est pas commercialement possible, le détaillant ayant vendu l'appareil ou le fabricant rembourseront le montant payé par l'acheteur, et déduiront une somme directement proportionnelle à l'utilisation par l'acheteur initial avant la découverte de la non-conformité. De plus, dans l'état de Californie uniquement, vous pouvez rapporter l'appareil au détaillant qui vous a vendu le produit afin de bénéficier des privilèges que vous donne la présente garantie limitée.

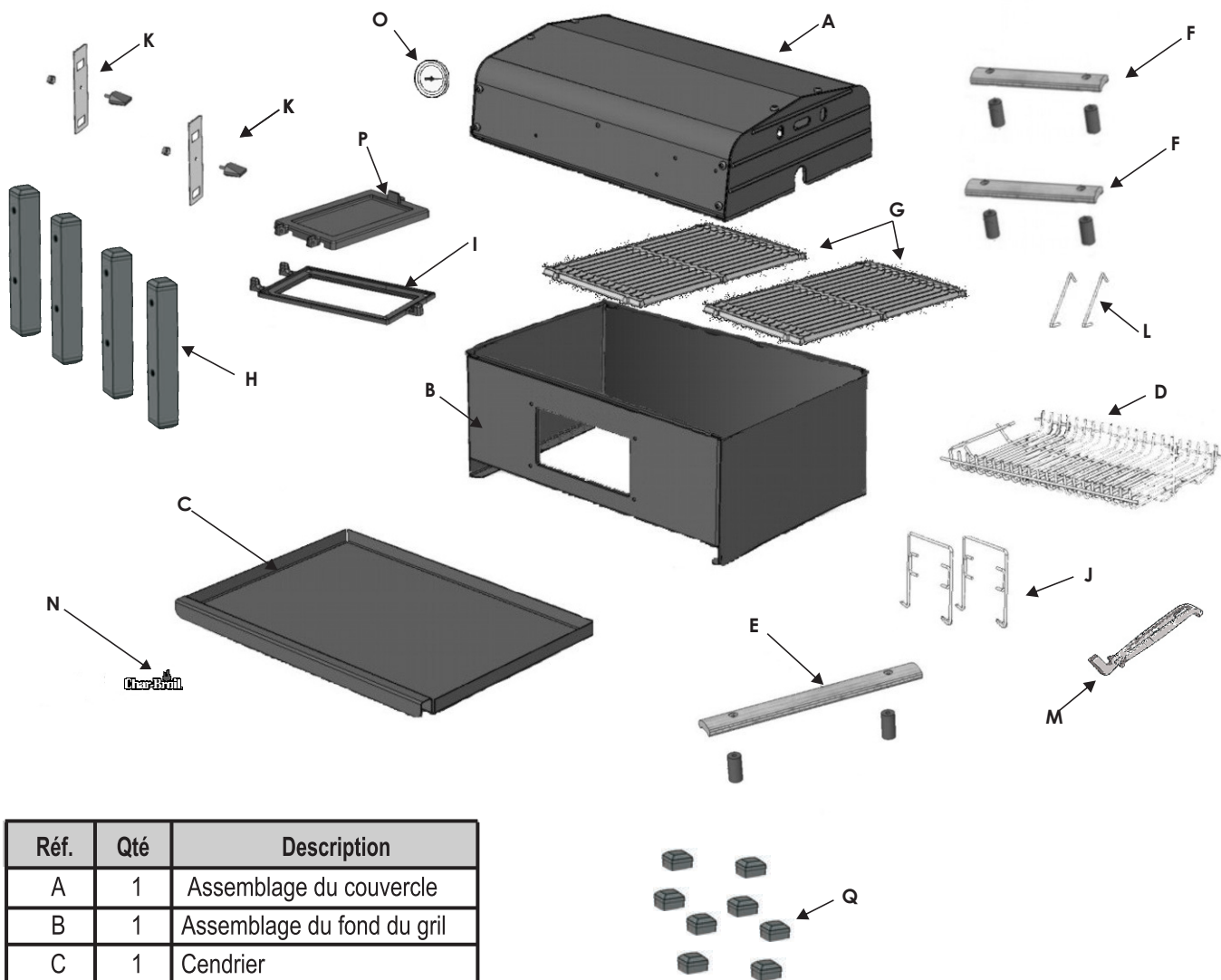
Si vous désirez qu'une obligation, quelle qu'elle soit, soit exécutée en vertu de la présente garantie limitée, vous devez écrire à :

**Consumer Relations
P. O. Box 1240
Columbus, GA 31902-1240**

Les retours de marchandise des clients ne seront acceptés que si une autorisation de retour (Return Authorization) valide a été obtenue au préalable. Les retours autorisés doivent être clairement identifiés par leur numéro sur l'extérieur de l'emballage. De plus, le fret ou les frais d'expédition doivent être prépayés. Tout retour de marchandise d'un client qui ne satisfait pas à ces critères sera refusé.

WS_1 FRE Rev03

Liste des pièces



Réf.	Qté	Description
A	1	Assemblage du couvercle
B	1	Assemblage du fond du grill
C	1	Cendrier
D	1	Grille de foyer
E	1	Poignée frontale
F	2	Poignée latérale
G	2	Grille de cuisson
H	4	Pied du chariot
I	1	Porte du cendrier
J	2	Support du foyer
K	2	Plaque de ventilation
L	2	Butée du couvercle
M	1	Outil à main
N	1	Plaque de logo
O	1	Thermomètre
P	1	Porte, nettoyez
Q	8	Embout jambe

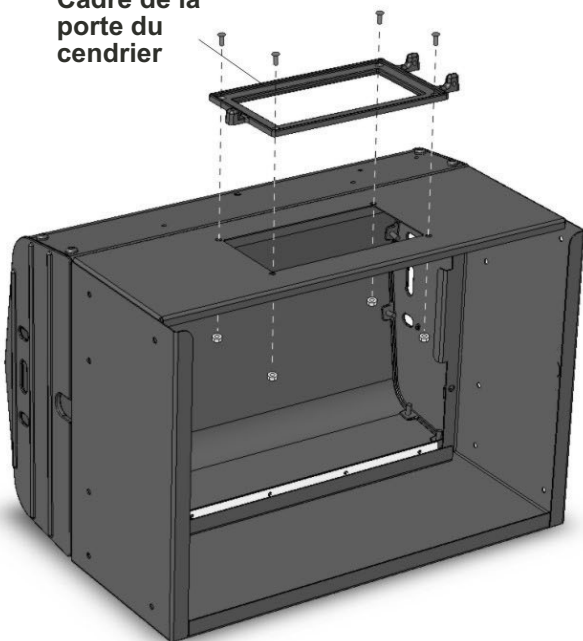
pas illustré

	1	Sac de ferrures
	1	Instructions d'assemblage Anglais / Français

Tout d'abord, trouvez un endroit approprié pour travailler. Ouvrez la boîte et coupez-en les coins. Cela vous procurera une surface de travail protectrice sur laquelle effectuer l'assemblage. Lors du montage, consultez la liste des pièces de quincaillerie au verso du présent manuel.

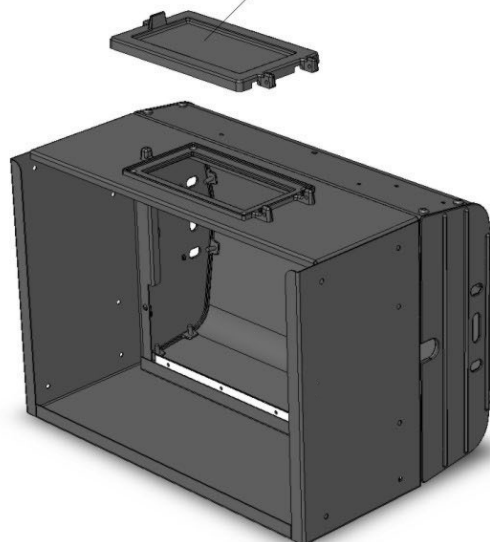
- 1** Retirez les pièces à l'intérieur du grill de leur emballage, puis positionnez le grill sur le côté. Fixez le **cadre de la porte du cendrier** à l'avant du grill avec quatre vis à tête plate n° 10-24×½ po et quatre écrous d'accouplement.

Cadre de la porte du cendrier

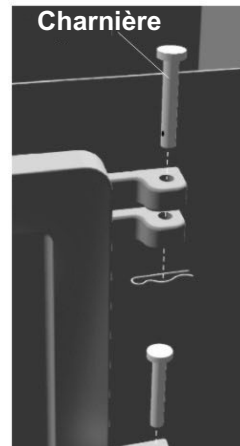


- 2** Fixez la **porte du cendrier** au cadre au moyen des tiges de charnière et des goupilles.

Porte du cendrier

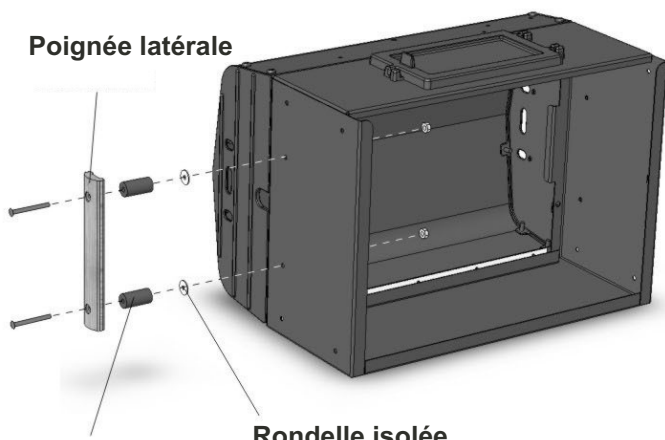


Charnière



- 3** Attachez les deux **pièces d'espacement** et les **poignées** au fond du grill en vous servant de deux vis ¼-20×2½ po, de **deux rondelles isolées** et de deux écrous d'accouplement ¼-20.

Poignée latérale

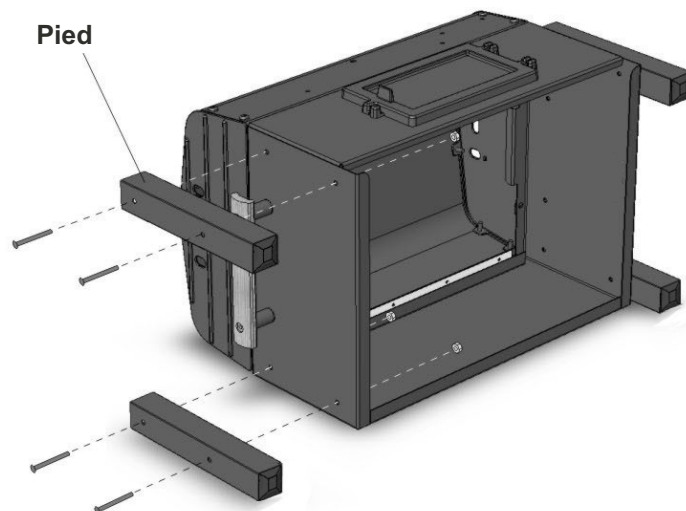


Pièce d'espacement

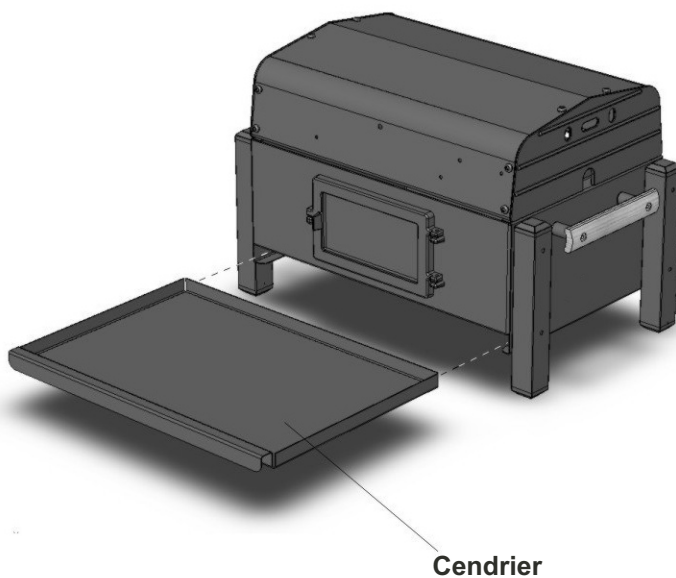
Rondelle isolée

- 4** Fixez les quatre **pieds** au moyen de deux vis à métal ¼-20×2 po et de deux écrous d'accouplement ¼-20 par pied.

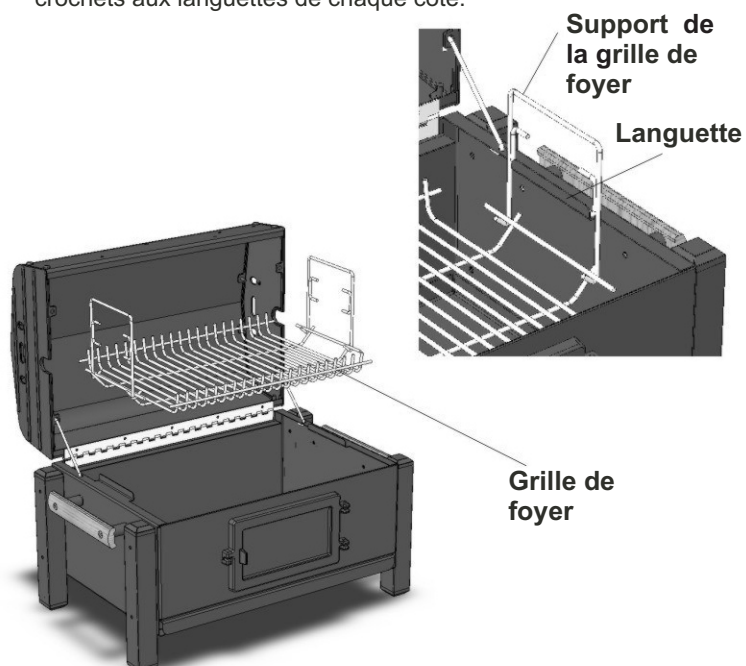
Pied



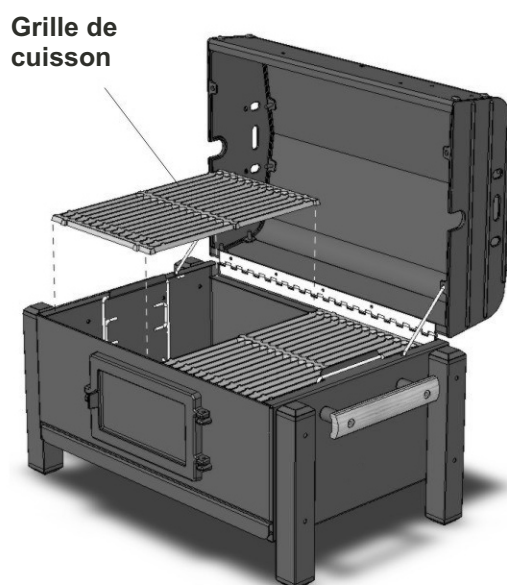
- 5** Glissez le **cendrier** dans la partie avant du fond du gril.



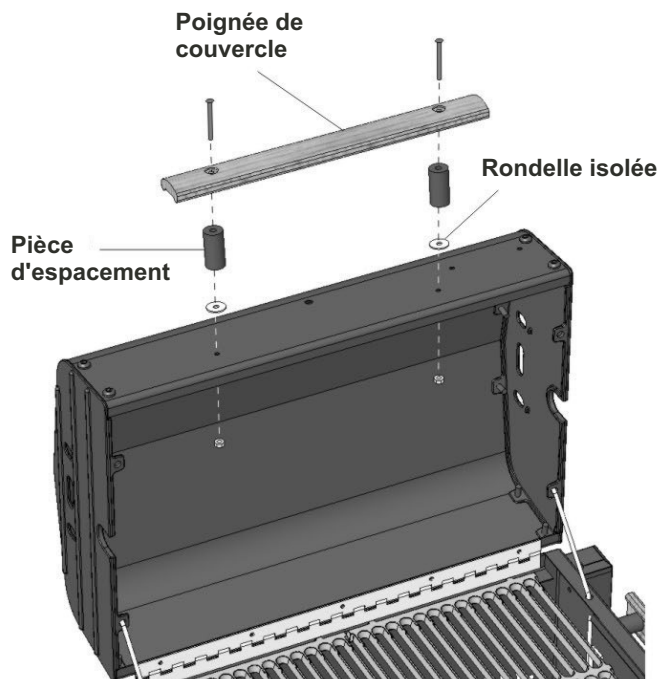
- 6** Ouvrez le couvercle et fixez les deux **soutiens de grille** à la **grille du foyer** (les crochets doivent pointer à l'intérieur vers la grille). Posez la grille de foyer sur le fond du gril en accrochant les crochets aux languettes de chaque côté.



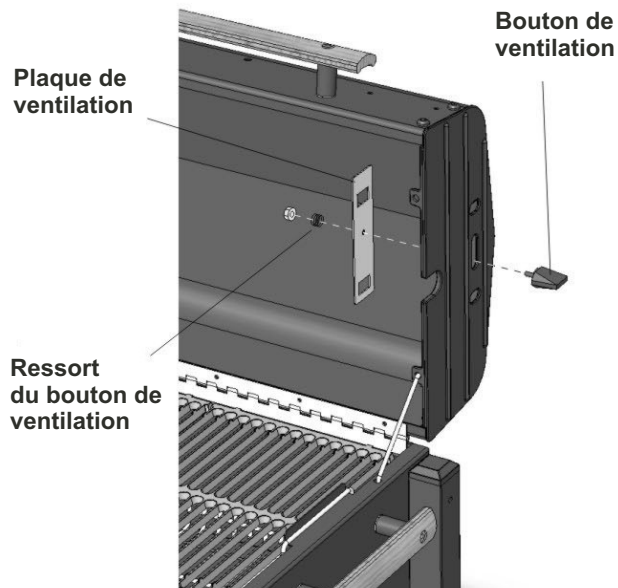
- 7** Posez les **grilles de cuisson** sur le fond du gril. Utilisez l'outil de levage fourni pour soulever les grilles à cuisson chaudes.



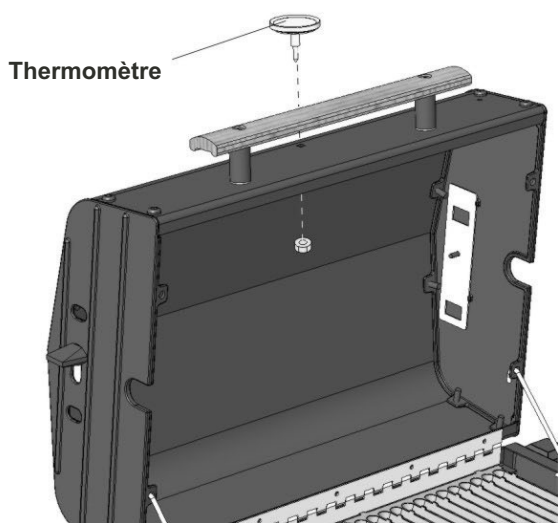
- 8** Attachez deux **pièces d'espacement** et la **poignée** au couvercle du grill en vous servant de deux vis $\frac{1}{4}$ -20 \times 2 $\frac{1}{2}$ po, de deux rondelles isolées et de deux écrous d'accouplement $\frac{1}{4}$ -20.



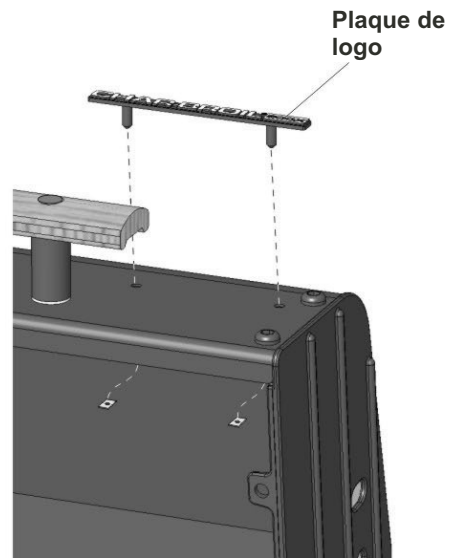
- 9** Insérez les **boutons de ventilation** dans chaque côté du couvercle du grill à partir de l'extérieur. À l'intérieur du couvercle du grill, glissez la **plaque de ventilation** sur la tige du bouton de ventilation, suivi du **ressort du bouton de ventilation** et d'un écrou hexagonal n° 10-24. Serrez juste assez pour permettre à la plaque de ventilation de glisser d'un côté ou de l'autre. Répétez pour l'autre côté.



- 10** Installez le **thermomètre** en passant la tige par le grand trou à l'avant du couvercle du grill. Serrez complètement l'écrou fourni contre le couvercle.

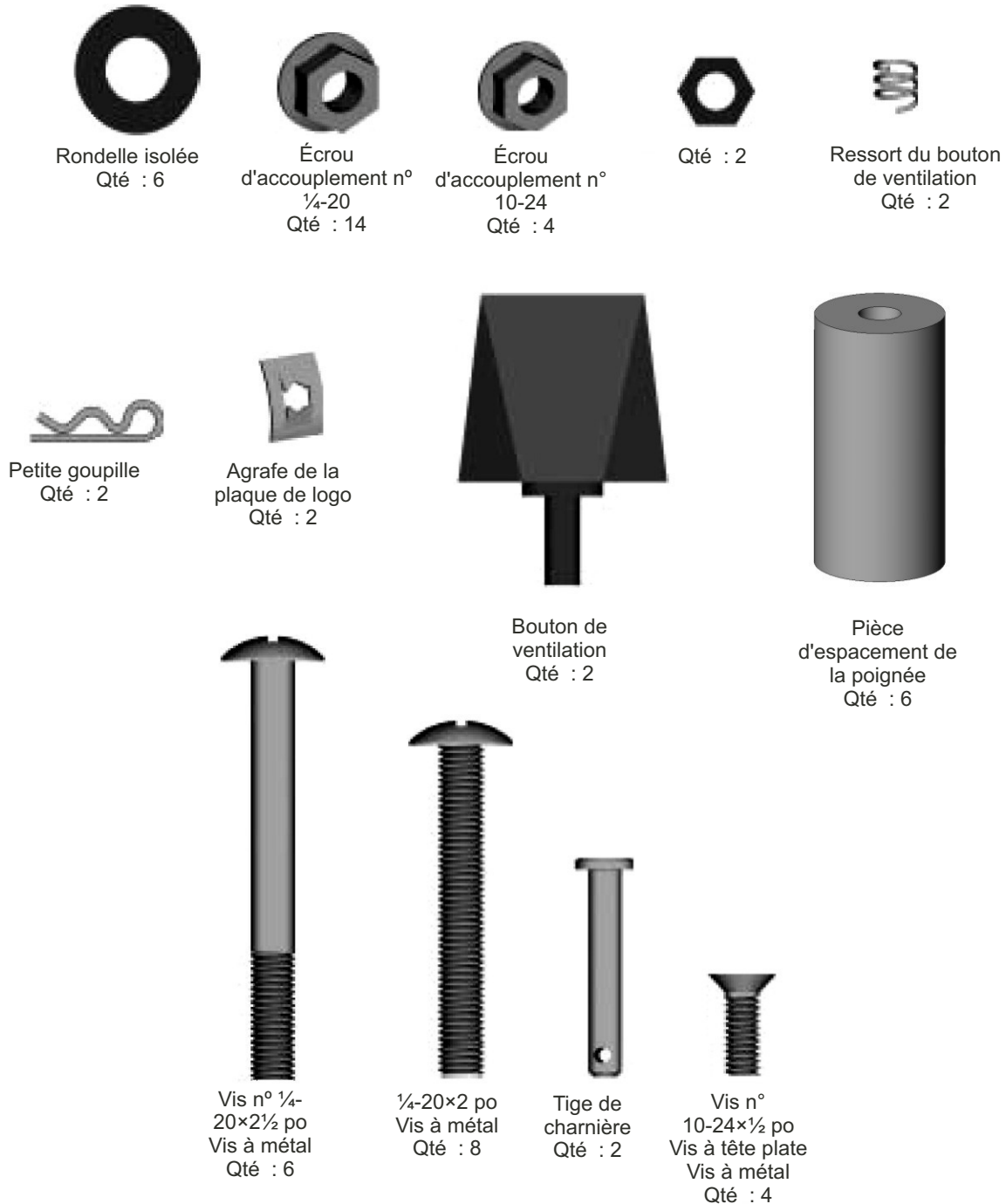


- 11** Fixez la **plaque de logo** en insérant les deux tiges dans les petits orifices sur la partie avant du couvercle du grill. De l'intérieur du couvercle, enfoncez les agrafes de la plaque de logo sur les tiges jusqu'à ce que la plaque soit bien retenue contre le couvercle.



Liste de matériel

Les pièces de quincaillerie sont illustrées en grandeur réelle. Il se peut qu'il vous reste des ferrures non utilisées après l'assemblage.



AVERTISSEMENT

LA PLUPART DES SURFACES DE CET APPAREIL SONT CHAUDES LORSQUE LE GRIL FONCTIONNE. FAITES PREUVE DE PRÉCAUTIONS EXTRÊMES. GARDEZ TOUTE AUTRE PERSONNE LOIN DE L'APPAREIL.

PORTEZ TOUJOURS DES VÊTEMENTS DE PROTECTION AFIN D'ÉVITER LES BLESSURES ET LES BRÛLURES.



Please register your product online at:
 Registre su producto en línea en:
 Veuillez enregistrer votre produit à l'adresse:

www.charbroil.com/register

(If you register online, you do not need to send in this registration card.)

(Si registra en línea, no es necesario enviar esta tarjeta de registro.)

(Si vous enregistrez votre produit en ligne, il n'est pas nécessaire d'envoyer la carte d'enregistrement.)

PLEASE FILL OUT THIS CARD AND ATTACH A COPY OF YOUR SALES RECEIPT. RETURN IT WITHIN 10 DAYS OF PURCHASE. FOR WARRANTY SERVICE PROOF OF PURCHASE WILL BE REQUIRED. THIS WARRANTY IS NON-TRANSFERABLE.

LLENE ESTA TARJETA Y DEVUELVALA DENTRO DE LOS 10 DIAS DE LA COMPRA. PARA EL SERVICIO DE GARANTIA ES NECESARIO QUE PRESENTE SU COMPROBANTE DE COMPRA. CONSERVE LA FACTURA. ESTA GARANTIA ES INTRANSFERIBLE.

VEUILLEZ COMPLETER CETTE CARTE ET LA RETOURNER DANS LES 10 JOURS SUIVANT L'ACHAT. POUR OBTENIR LE SERVICE SOUS GARANTIE, UNE PREUVE D'ACHAT DOIT ETRE PRESENTEE. VEUILLEZ CONSERVER VOTRE FACTURE. LA PRESENTE GARANTIE N'EST PAS TRANSFERABLE.

*Required | Necesario | Exigé

~ PLEASE PRINT ~ IMPRIMA POR FAVOR ~ S'IL VOUS PLAÎT IMPRIMER ~

* **1** First Name | Nombre | Prénom _____ Initial | Inicial | Initiale _____ Last Name | Apellido | Nom de Famillie _____

Address (number & street) | Dirección (número y calle) | Adresse (numéro et rue) _____ Apt Number | Nº de apart | Nº d'appt. _____

City | Ciudad | Ville _____ State | Estado | Province _____ Zip Code | Código Zip | Code Postal _____

* **2** E-mail Address | Dirección de correo electrónico | Adresse électronique _____ * **3** Phone Number | Número telefónico | Numéro de téléphone _____

* **4** Model Number | Número de modelo | Numéro de modèle _____

Char-Broil, LLC
Columbus, GA 31904
OUTDOOR GAS GRILL
Model 463261508

TYPE OF GAS: LP/PROPANE at 11 in.
NAT. B / MC

For outdoor use only. If Stored Indoors, Detach and Leave Cylinder Outdoors.
CAUTION: Use only the gas pressure regulator supplied with the appliance.
This regulator is set for an outlet pressure of 11 inches water column (4.40 psi).
Turn off LP supply at cylinder when appliance is not in use.

Serial No. 0080397

This appliance can be used with LP gas and natural gas. It is shipped from the factory adjusted for use with LP gas. Follow the instructions packaged with the appliance for conversion to natural gas. (See Conversion Kit Part Number 468550 for gas conversion.)

DESIGN CERTIFIED

Serial Number | Número de serie | Numéro de série _____

STICKER ON PRODUCT

6 Date of Purchase | Fecha de compra | Date de l'achat _____
\$ _____

7 Store Name | Nombre de la tienda | Nom du magasin _____

8 Purchase Price | Precio de compra | Prix d'achat _____

9 Your Gender | Sexo | Sexe:
 Male | Masculino | Masculin
 Female | Femenino | Féminin

10 Which product are you registering?
 ¿Qué producto está registrando?
 Quel produit enregistrez-vous?

1. Gas Grill | Parrilla a gas | Gril au gaz
 2. Electric Grill | Parrilla eléctrica | Gril électrique
 3. Smoker | Ahumador | Fumoir
 4. Charcoal Grill | Parrilla a carbón | Barbecue au charbon
 5. Cooker/Fryer | Cocina/freidora | Cuisieur/Friteuse
 6. Other | Otro | Autre

Mail to: / Enviar a: / Envoyer à :

Char-Broil Warranty Registration
P.O. Box 1240
Columbus, GA 31902-1240

* **5** Attach copy of your sales receipt here.

Adjunte aqui la copia de su recibo de compra

Veillez attacher une copie de votre reçu ici.

We respect your privacy. | Respetamos su privacidad. | Nous respectons votre vie privée.

- If you prefer not to receive special offers and promotions from Char-Broil, please check here:
- Marque aquí si no desea recibir ofertas y promociones especiales de Char-Broil:
- Si vous préférez ne pas recevoir d'informations concernant des offres spéciales et des promotions de Charbroil, veuillez cocher ici:

Thank you for completing this questionnaire. | Gracias por completar este cuestionario. | Merci d'avoir bien voulu remplir ce questionnaire.

Free Manuals Download Website

<http://myh66.com>

<http://usermanuals.us>

<http://www.somanuals.com>

<http://www.4manuals.cc>

<http://www.manual-lib.com>

<http://www.404manual.com>

<http://www.luxmanual.com>

<http://aubethermostatmanual.com>

Golf course search by state

<http://golfingnear.com>

Email search by domain

<http://emailbydomain.com>

Auto manuals search

<http://auto.somanuals.com>

TV manuals search

<http://tv.somanuals.com>