

# Char-Broil®



07201560



## SILVER SMOKER™



### Smoker, BBQ and Grill



Tools needed for  
assembly:  
2 Adjustable Wrenches  
7/16" Open-End Wrench  
Flat Screwdriver

|  |                |   |
|--|----------------|---|
|   | <b>WARNING</b> |  |
| <b>CALIFORNIA PROPOSITION 65</b>   |                |   |
| <ol style="list-style-type: none"><li>1. This product is produced with or contains chemicals known to the State of California to cause cancer, birth defects, or other reproductive harm.</li><li>2. This product contains chemicals, including lead and lead compounds, known to the State of California to cause cancer, birth defects or other reproductive harm.</li></ol> |                |   |
| <p><i>Wash your hands after handling this product.</i></p>   |                |   |

|   |                |   |
|---|----------------|---|
|    | <b>WARNING</b> |  |
| <p>All surfaces can be hot during use. Use protection as required to prevent burning.</p> <p>Do not use this unit on or near combustible surfaces or structures such as wood decks, dry leaves or grass, vinyl or wood siding, etc.</p> <p><b>SEE OWNERS MANUAL FOR IMPORTANT SAFETY INFORMATION.</b></p> |                |   |

|   |                |   |
|---|----------------|---|
|    | <b>WARNING</b> |  |
| <b>CARBON MONOXIDE HAZARD</b>   |                |   |
| <p>Burning charcoal inside can kill you. It gives off carbon monoxide, which has no odor. <b>NEVER</b> burn charcoal inside homes, vehicles or tents. <b>NEVER LEAVE FIRE UNATTENDED!</b></p> <p>Do not allow small children near flame. Hot embers can fly out in breezy conditions. Adequate fire extinguishing material should be readily available.</p> |                |   |

|   |                |   |
|---|----------------|---|
|    | <b>CAUTION</b> |  |
| <p>Some parts may contain sharp edges. Wear protective gloves if necessary.</p> <p>Read and follow all safety statements, warnings, assembly instructions and use &amp; care directions before attempting to assemble and cook.</p> |                |   |

|   |                |   |
|---|----------------|---|
|  | <b>CAUTION</b> |  |
| <p><b>THIS UNIT IS HEAVY!</b></p> <p><b>DO NOT</b> assemble without a helper.</p>   |                |   |

If you have questions or need assistance during assembly, please call 1-800-241-7548.  
To insure your satisfaction and for follow-up service, **register your grill online at [www.grillregistration.com](http://www.grillregistration.com)**

# STOP!

**Missing a part?  
No need to go back to the store!**

The store where you made your purchase does not stock parts for this item. If you need parts, whether they are missing or damaged, call the Customer Service toll free Help Line.

Call us and we will gladly ship the part you need.

## Call Grill Service Center for Help and Parts

- If you need assistance with your product or warranty parts call **1-800-241-7548**. **Hours of Service Center Operation are 8:00 A.M. To 6:00 P.M. EST Monday - Friday.**

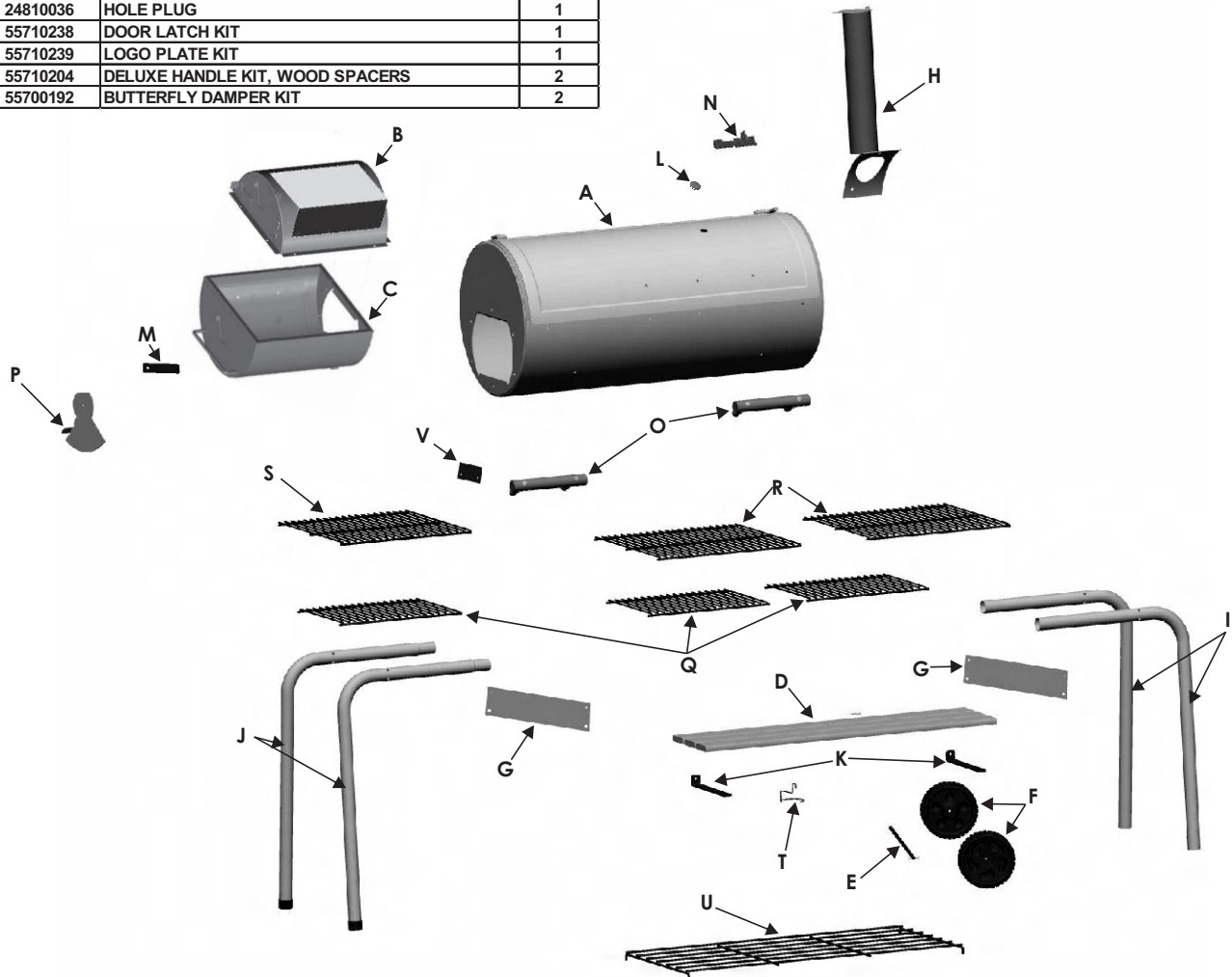
- To order non-warranty replacement parts or accessories please visit us on the web at [www.charbroil.com](http://www.charbroil.com) or call 1-800-241-7548 and one of our friendly and knowledgeable agents will be glad to assist you.



## PARTS LIST

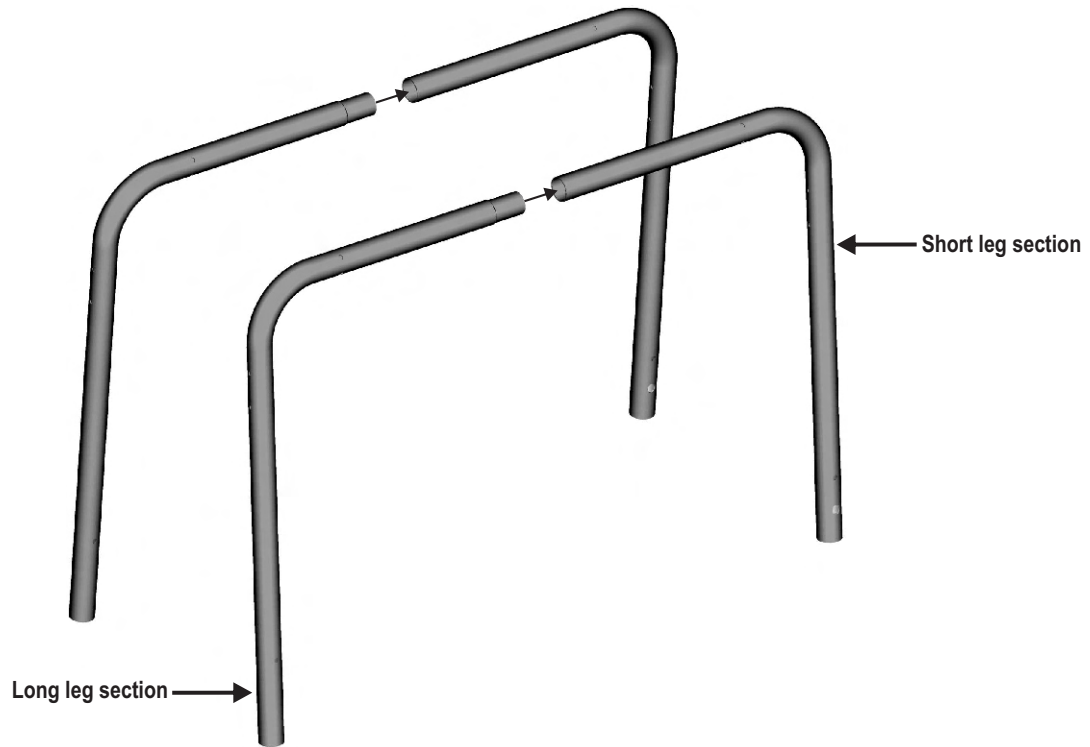
| Key # | Part Number | Description                     | Quantity |
|-------|-------------|---------------------------------|----------|
| A     | 55710232    | SILVER SMOKE CHAMBER KIT        | 1        |
| B     | 29001712    | FIREBOX TOP                     | 1        |
| C     | 55710234    | FIREBOX BOTTOM KIT              | 1        |
| D     | 55710235    | WOOD SHELF KIT                  | 1        |
| E     | 55700442    | AXLE KIT                        | 1        |
| F     | 55700443    | WHEEL KIT                       | 1        |
| G     | 55700183    | LEG BRACE KIT                   | 2        |
| H     | 55710236    | SMOKESTACK KIT                  | 1        |
| I     | 55710237    | SHORT LEG KIT                   | 2        |
| J     | 55700186    | LONG LEG KIT                    | 2        |
| K     | 55700187    | SHELF BRACKET KIT               | 2        |
| L     | 24810036    | HOLE PLUG                       | 1        |
| M     | 55710238    | DOOR LATCH KIT                  | 1        |
| N     | 55710239    | LOGO PLATE KIT                  | 1        |
| O     | 55710204    | DELUXE HANDLE KIT, WOOD SPACERS | 2        |
| P     | 55700192    | BUTTERFLY DAMPER KIT            | 2        |

| Key # | Part Number | Description             | Quantity |
|-------|-------------|-------------------------|----------|
| Q     | 29101311    | WIRE FIRE GRATE         | 3        |
| R     | 40009916    | GRATE, COOKING, SMOKER  | 2        |
| S     | 40009925    | GRATE, COOKING, FIREBOX | 1        |
| T     | 44830150    | GREASE CLIP             | 1        |
| U     | 46030090    | RACK, WOOD              | 1        |
| V     | 44810036    | FIREBOX COVER PLATE     | 1        |
| ...   | 40003010    | OPTIONAL TEMP GAUGE     | 1        |
| ...   | 42030350    | SNAP BAG                | 1        |
| ...   | 42804297    | INSTRUCTION ASSEMBLY    | 1        |
| ...   | 40053116    | OUTER CARTON            | 1        |

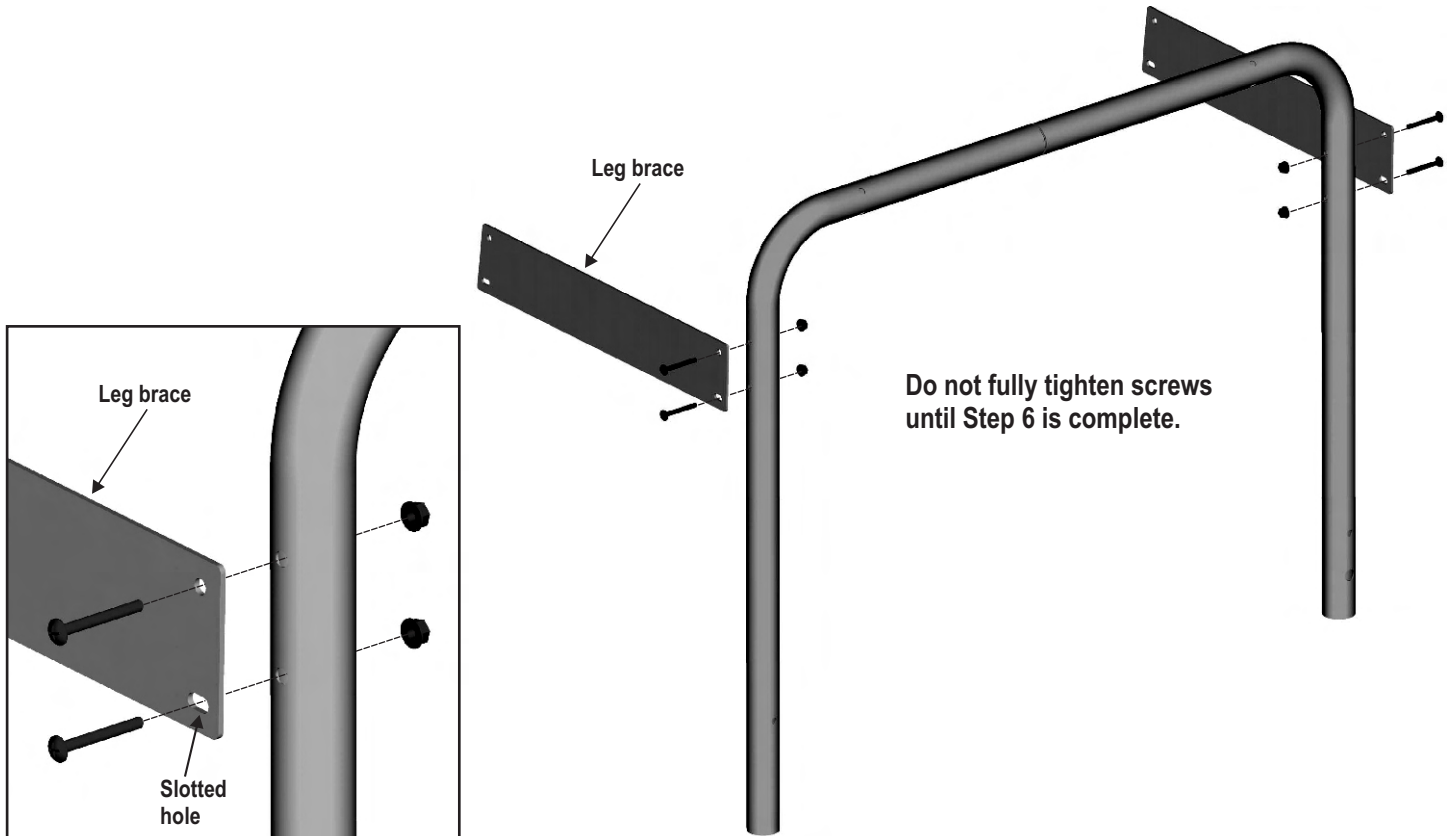


**1** **FIRST, GET A HELPER!** This unit is heavy and requires a second person for lifting and moving. **NEXT**, pick a suitable location to work. Open the carton and slit the corners so that the carton lays flat. This will give you a protective work surface during assembly.

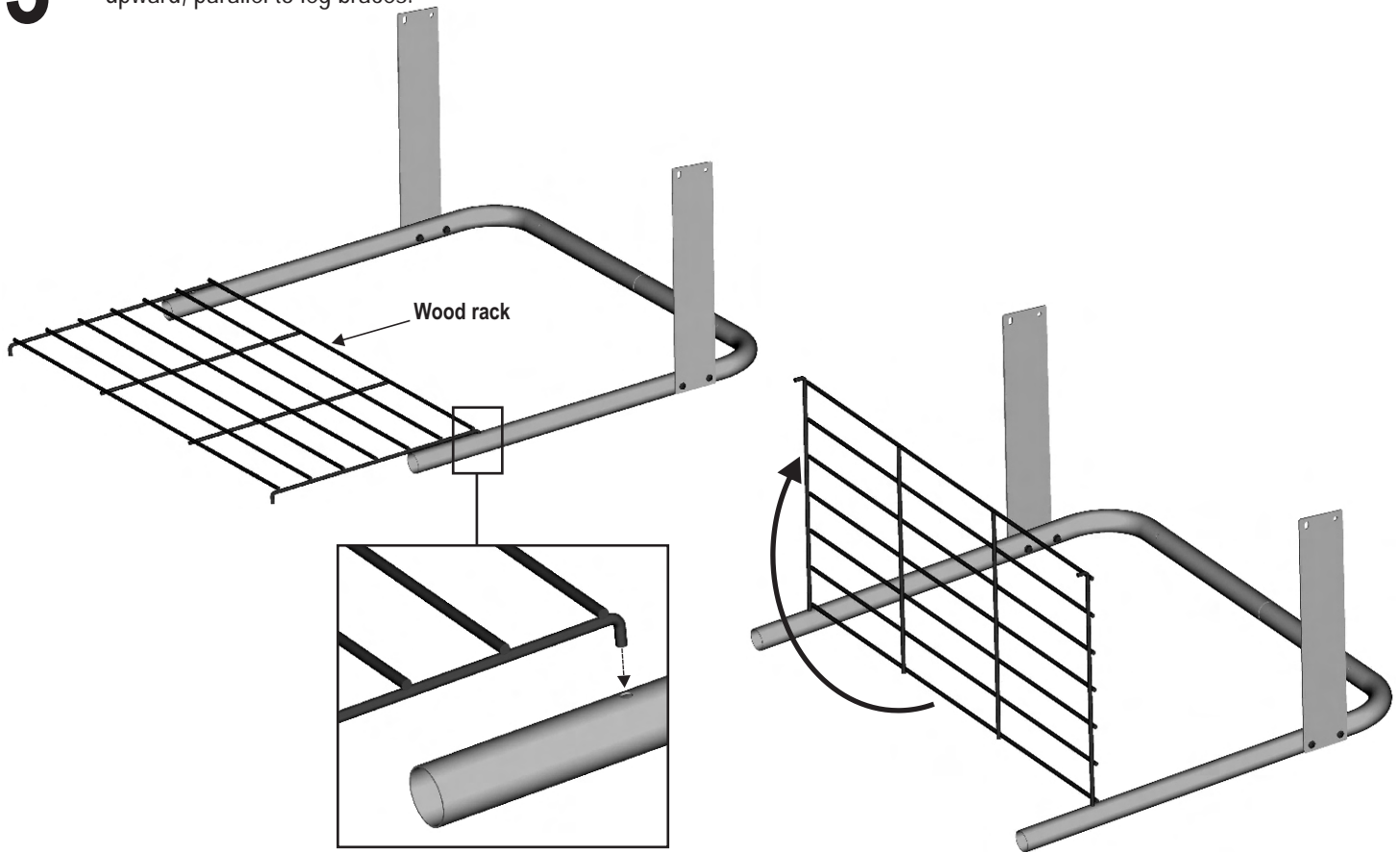
**TO BEGIN ASSEMBLY**, build two leg assemblies by sliding the **long** leg sections into the **short** leg sections.



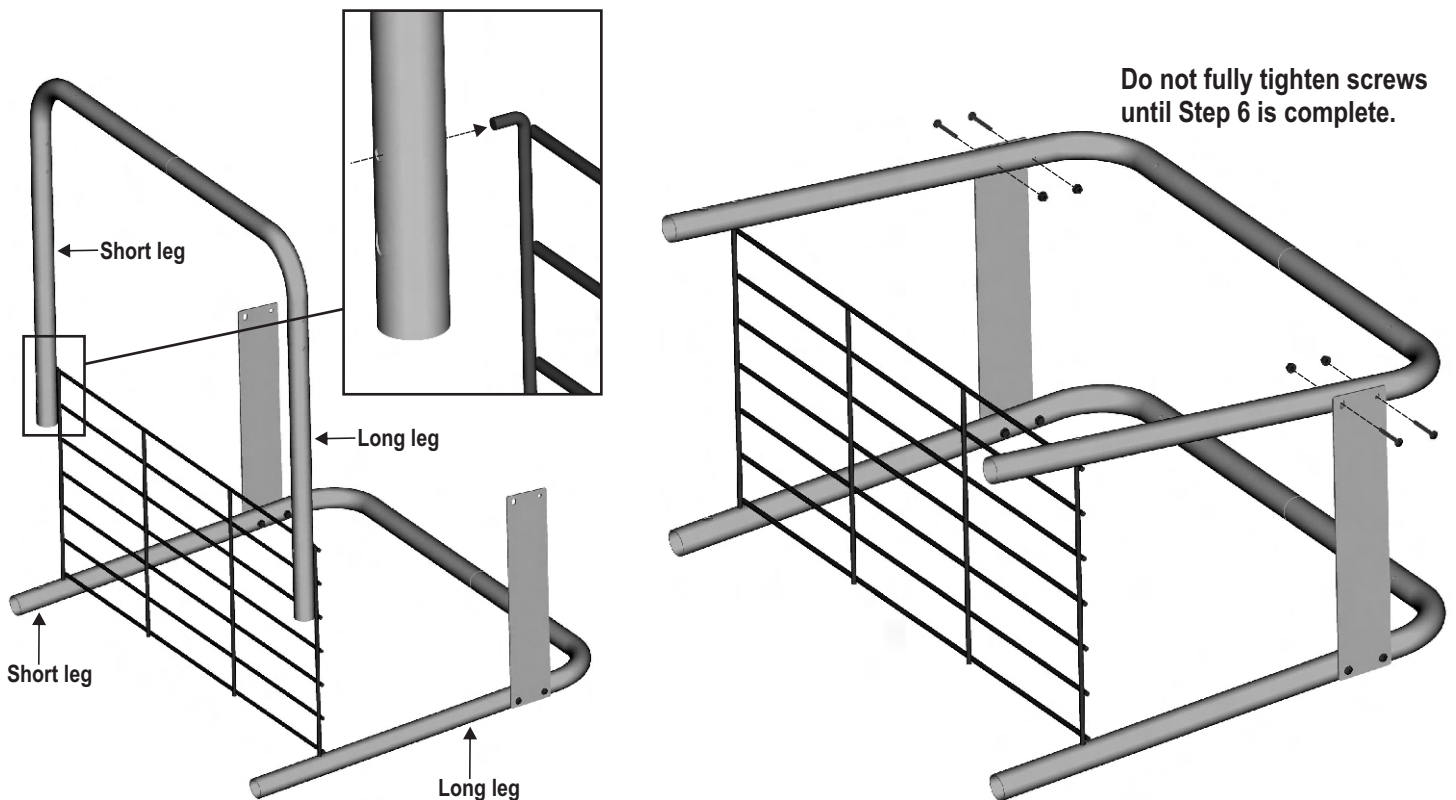
**2** Attach leg braces to the outside of one leg assembly using **#10-24x1-3/4"** screws and **#10-24** flange nuts. *Make sure slotted (oval) hole is toward bottom of leg.* **DO NOT FULLY TIGHTEN** screws until **Step 6** is complete.



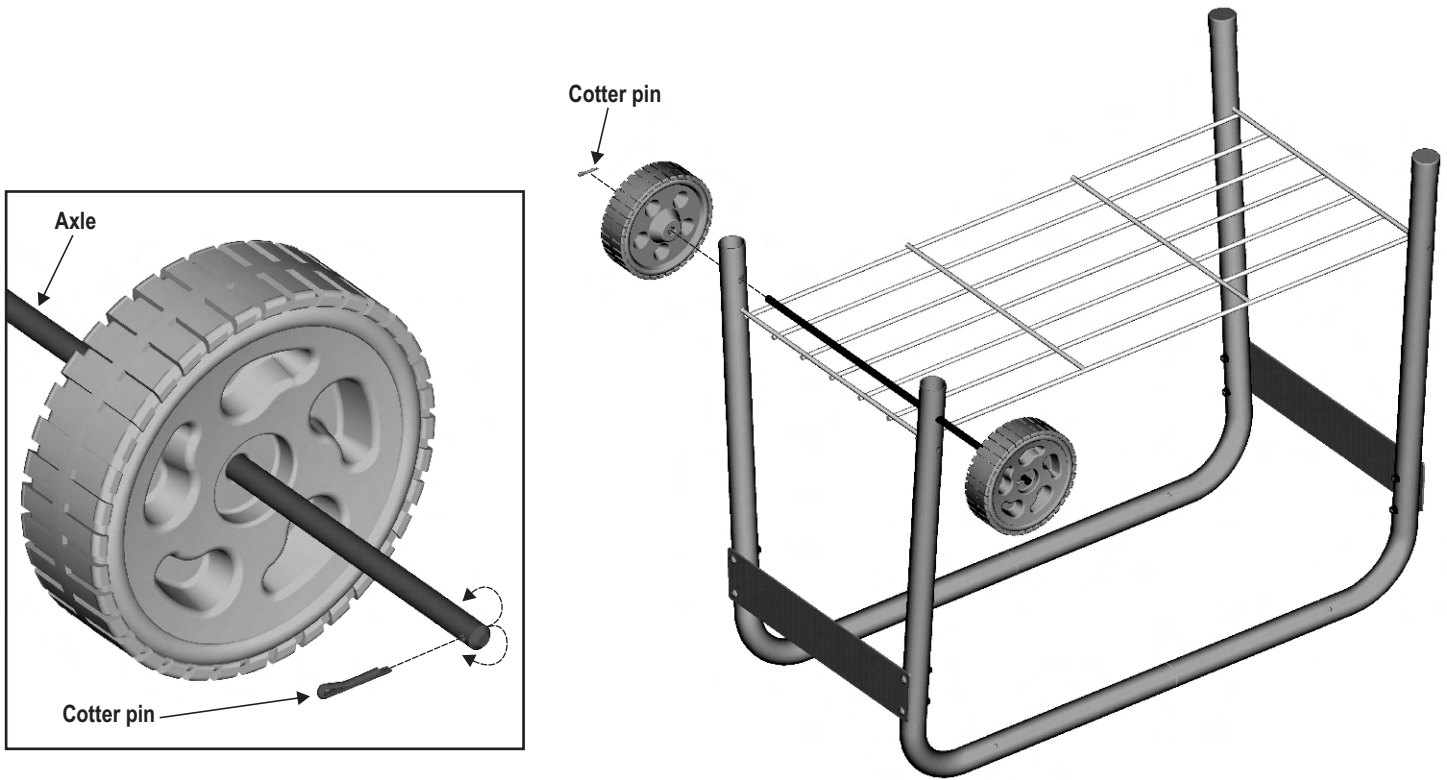
- 3** Lay the leg assembly on its side with legs braces pointing upward. Insert the wood rack hooks into leg holes and swing rack upward, parallel to leg braces.



- 4** With the aid of a helper, place leg holes of remaining leg assembly over wood rack hooks and rotate leg assembly until it meets the leg braces. Make sure both short legs are at one end of the rack and both long legs at the other end. Attach to leg braces using #10-24x1-3/4" screws and #10-24 flange nuts. **DO NOT FULLY TIGHTEN screws until Step 8 is complete.**



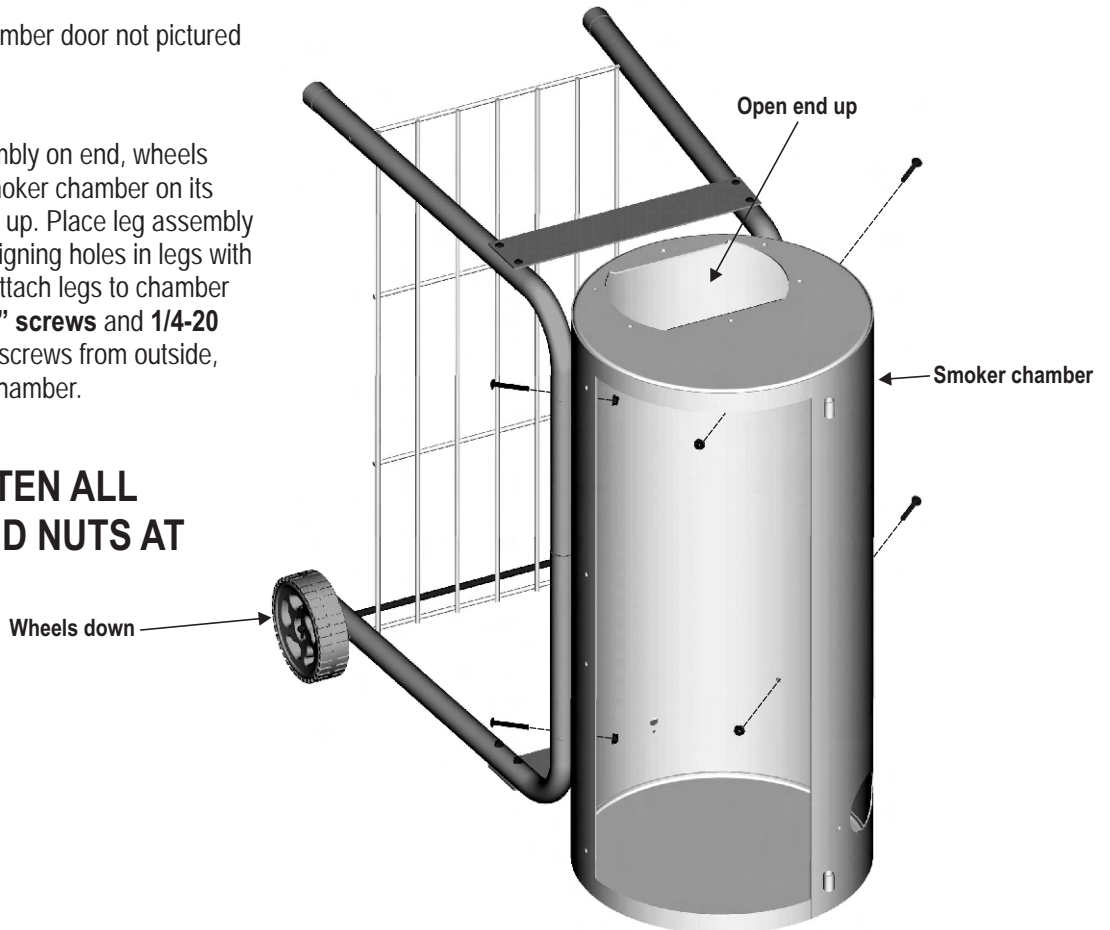
- 5** Insert a **cotter pin** into the hole at one end of the axle and bend the ends of the pin back so that it cannot be removed. Slide a wheel onto the axle. Slide the axle through the holes at the ends of the short legs. Slide remaining wheel onto axle and secure with remaining **cotter pin**.



- 6** **NOTE:** Smoker chamber door not pictured for clarity.

Stand the leg assembly on end, wheels down. Stand the smoker chamber on its solid end, open end up. Place leg assembly against chamber, aligning holes in legs with holes in chamber. Attach legs to chamber using four **1/4-20x2" screws** and **1/4-20 flange nuts**. Insert screws from outside, flange nuts inside chamber.

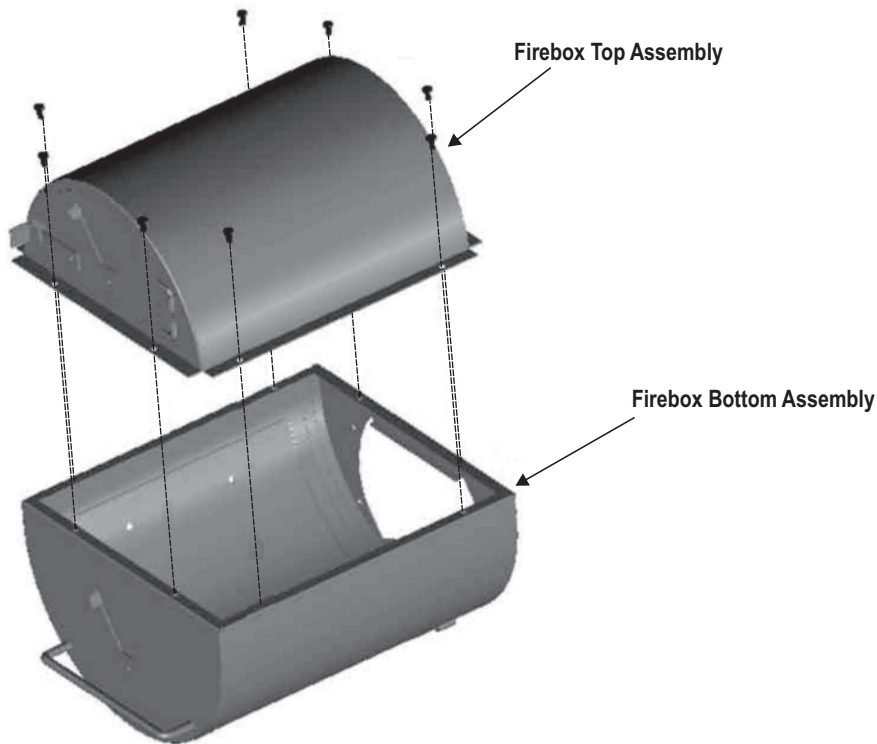
**FULLY TIGHTEN ALL SCREWS AND NUTS AT THIS TIME.**





# 7

Attach Firebox Top Assembly to Firebox Bottom Assembly using eight 1/4-20x3/4" hex-head bolts as shown below.



# 8

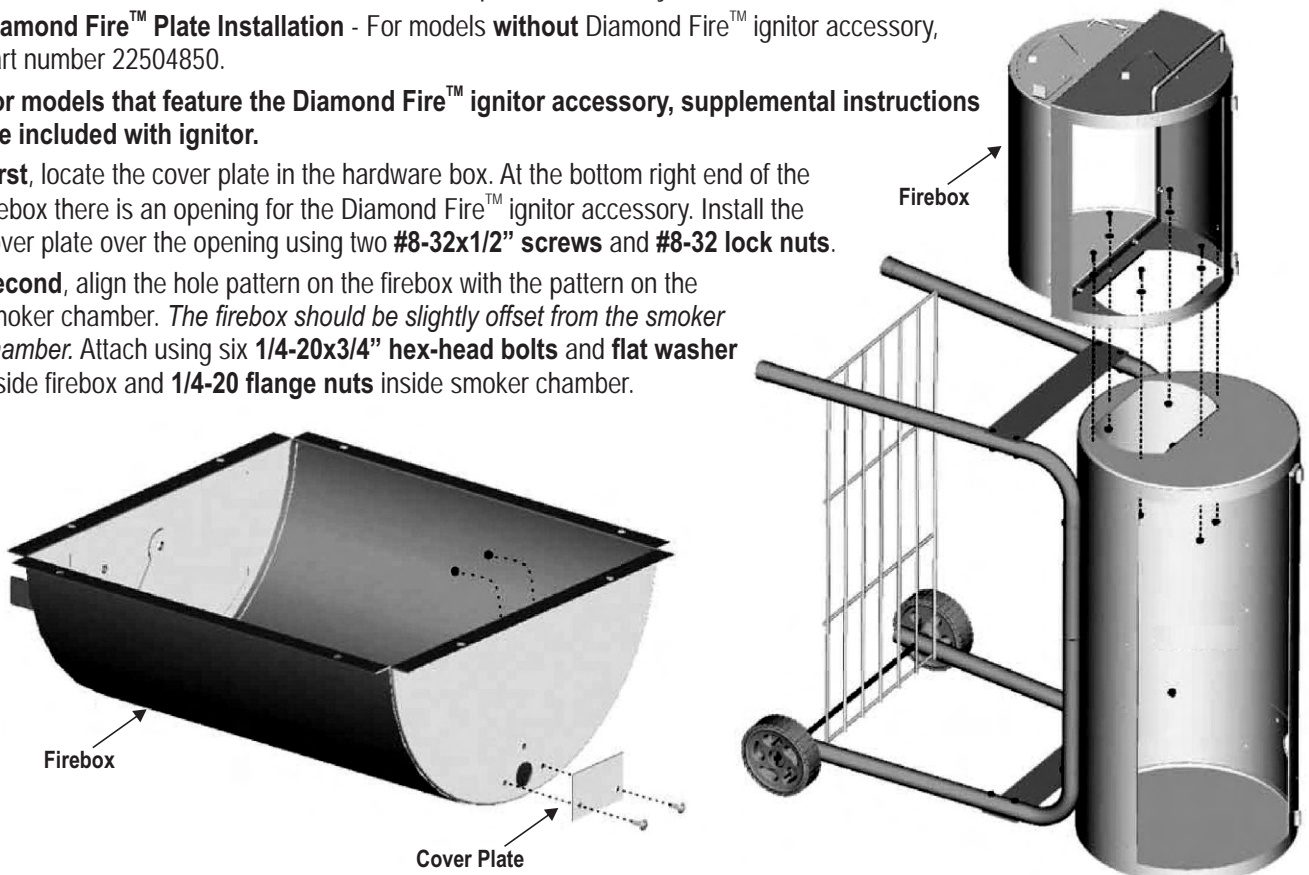
**NOTE:** Smoker chamber and firebox doors not pictured for clarity.

**Diamond Fire™ Plate Installation** - For models **without** Diamond Fire™ ignitor accessory, part number 22504850.

**For models that feature the Diamond Fire™ ignitor accessory, supplemental instructions are included with ignitor.**

**First**, locate the cover plate in the hardware box. At the bottom right end of the firebox there is an opening for the Diamond Fire™ ignitor accessory. Install the cover plate over the opening using two #8-32x1/2" screws and #8-32 lock nuts.

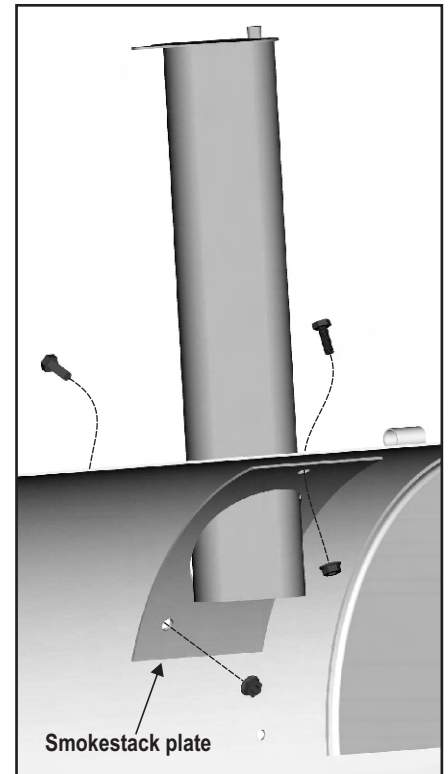
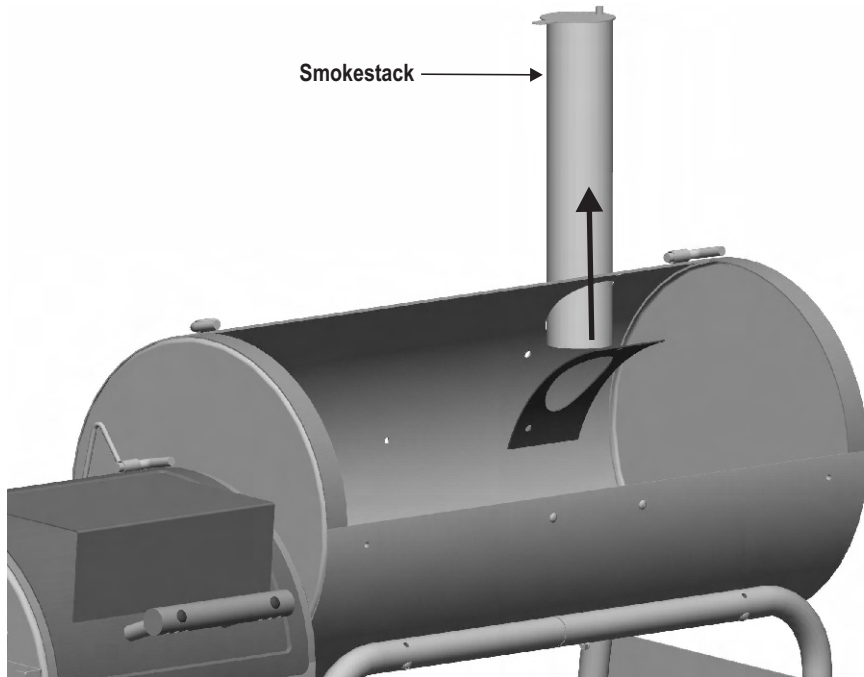
**Second**, align the hole pattern on the firebox with the pattern on the smoker chamber. *The firebox should be slightly offset from the smoker chamber.* Attach using six 1/4-20x3/4" hex-head bolts and flat washer inside firebox and 1/4-20 flange nuts inside smoker chamber.



# 9

**NOTE:** Smoker chamber door not pictured for clarity.

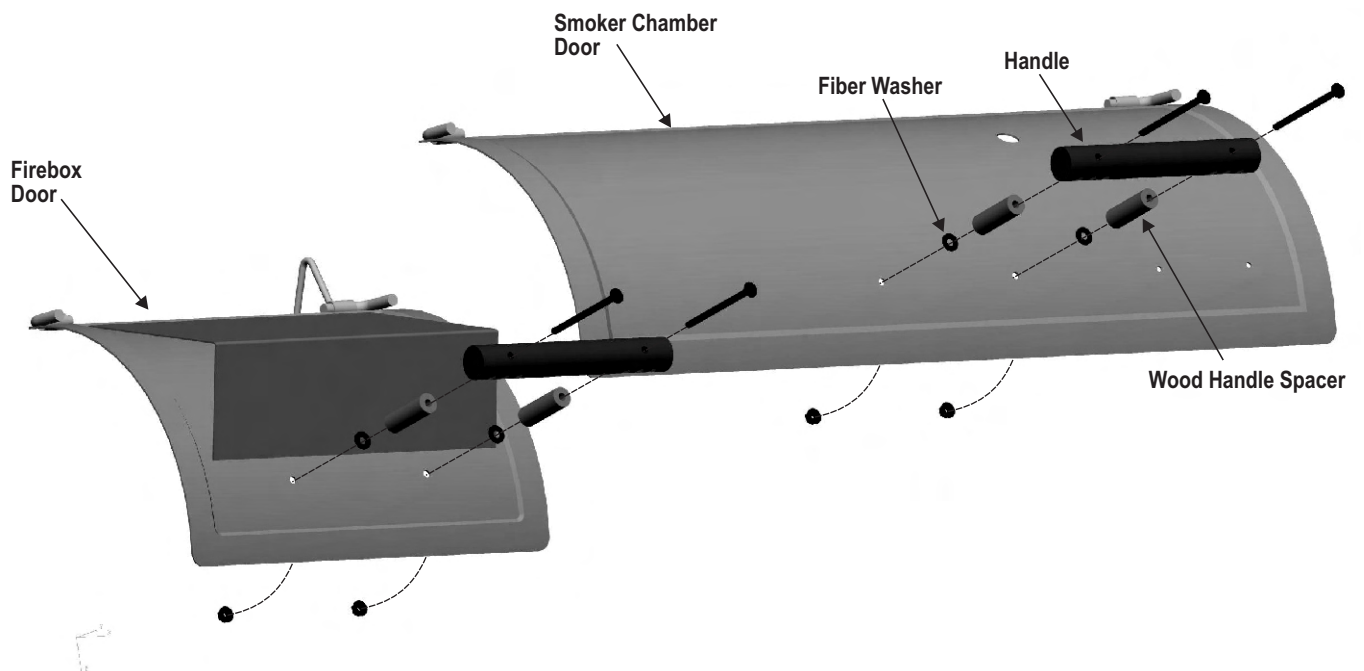
From inside the smoker chamber, slide the smokestack through the large hole. Align the two holes in the smokestack plate with the holes in the chamber and secure with two **1/4-20x3/4" hex-head bolts** outside the chamber and **1/4-20 flange nuts** inside.



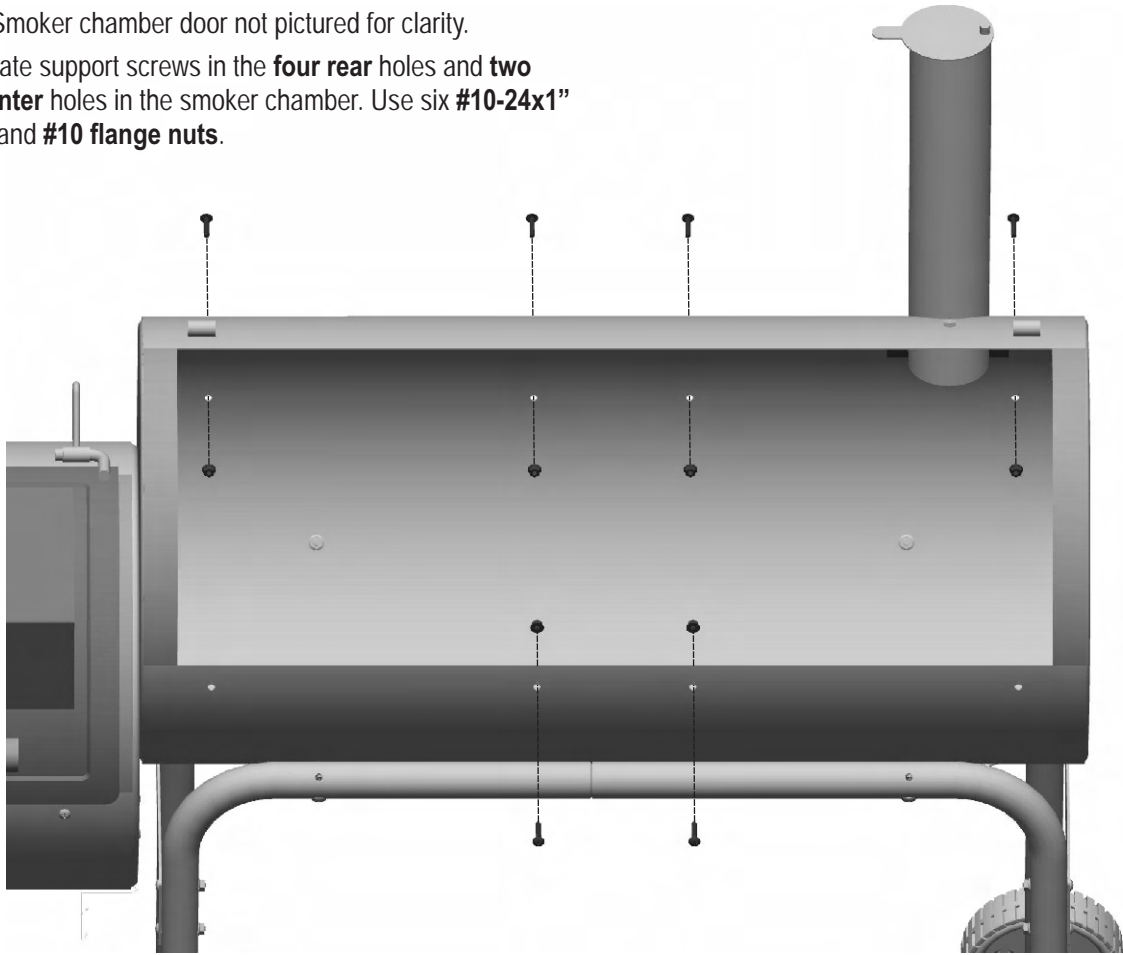
# 10

**NOTE:** Firebox and smoker chamber not pictured for clarity.

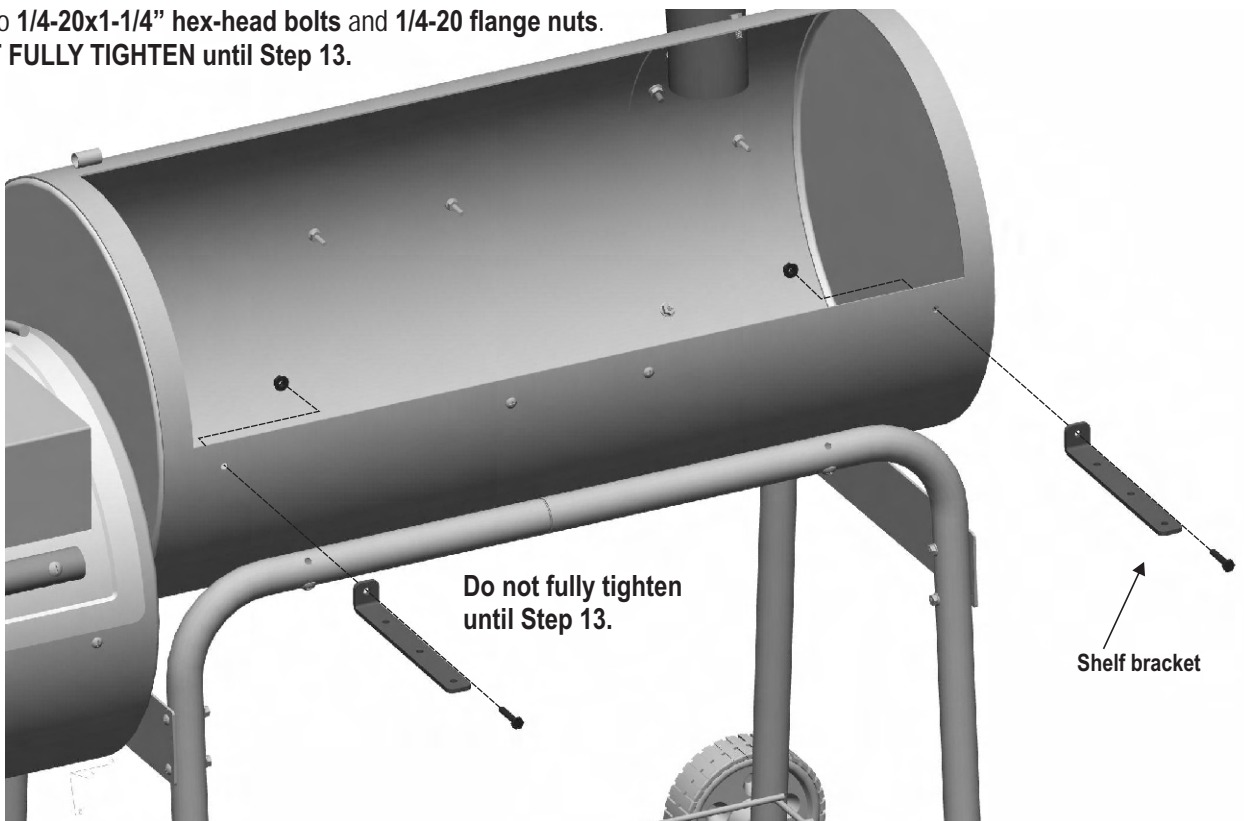
Attach wood handle to smoker chamber door using two **1/4-20x4" screws**, **wood handle spacers**, **fiber washers** and **1/4-20 flange nuts**, as shown below. **Repeat to attach handle to firebox door.**



- 11** **NOTE:** Smoker chamber door not pictured for clarity.  
Install grate support screws in the **four rear** holes and **two front-center** holes in the smoker chamber. Use six **#10-24x1"** screws and **#10 flange nuts**.



- 12** **NOTE:** Smoker chamber door not pictured for clarity.  
Attach shelf brackets to outer holes on front of smoker chamber using two **1/4-20x1-1/4"** hex-head bolts and **1/4-20 flange nuts**. **DO NOT FULLY TIGHTEN** until Step 13.





**13** **NOTE:** Smoker chamber door not pictured for clarity.  
**First,** attach shelf slats to the two outer holes in shelf brackets using two **#10-24x1" screws** and **#10-24 flange nuts** per slat. **DO NOT FULLY TIGHTEN SCREWS.**

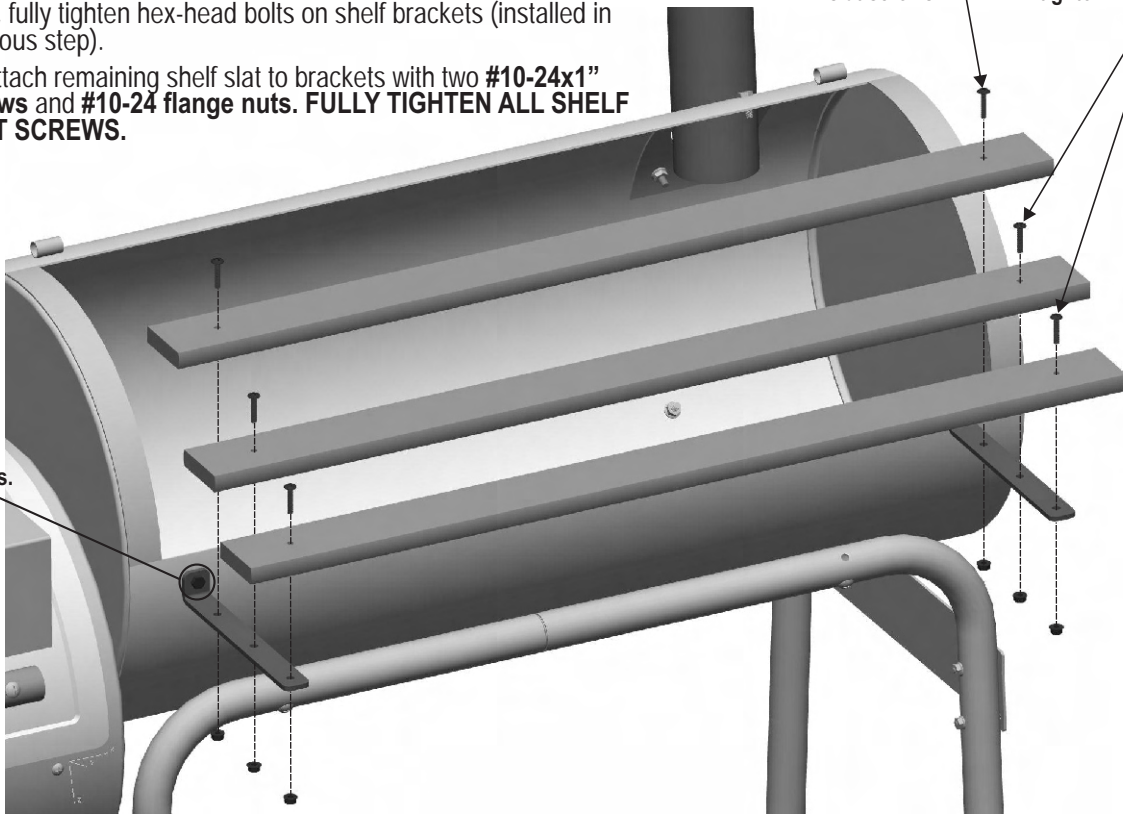
**Second,** fully tighten hex-head bolts on shelf brackets (installed in previous step).

**Third,** attach remaining shelf slat to brackets with two **#10-24x1" screws** and **#10-24 flange nuts**. **FULLY TIGHTEN ALL SHELF SLAT SCREWS.**

**2nd**  
Tighten bracket bolts.

**3rd**  
Attach inner slat.  
Fully tighten all  
slat screws.

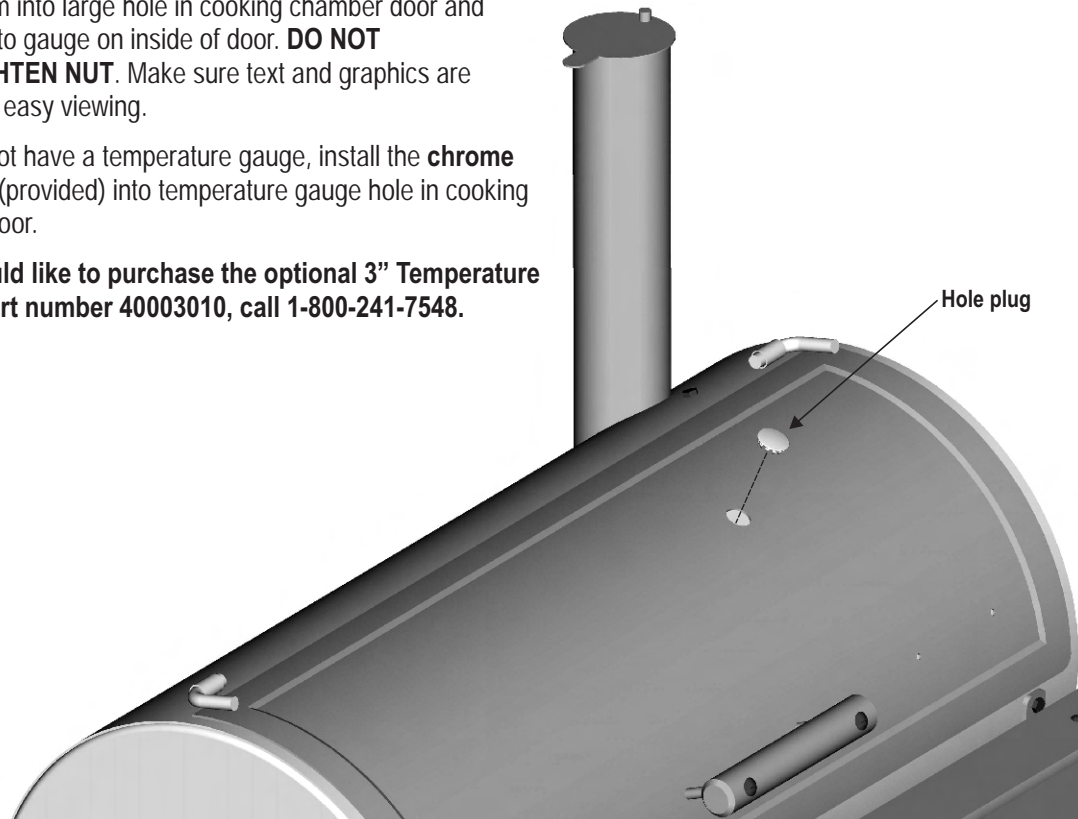
**1st**  
Attach two outer  
shelf slats. Do not  
tighten.



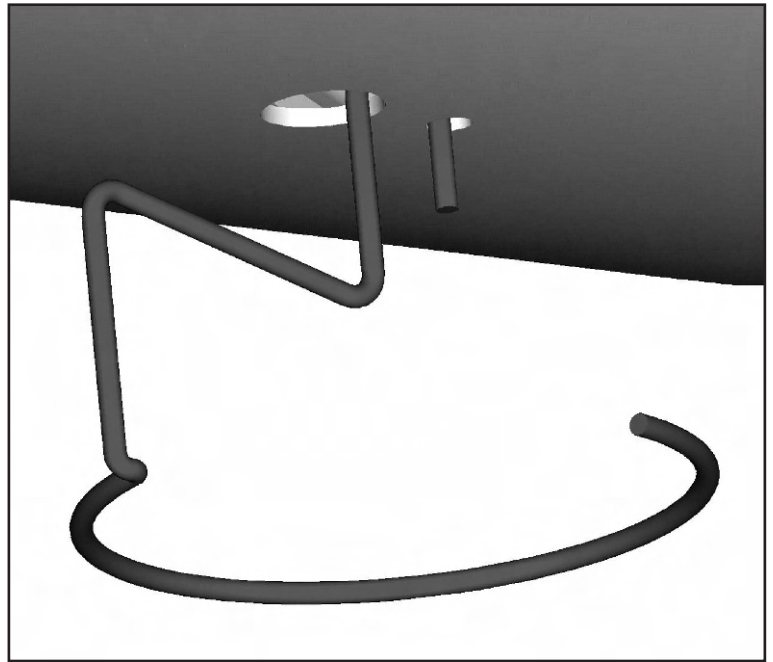
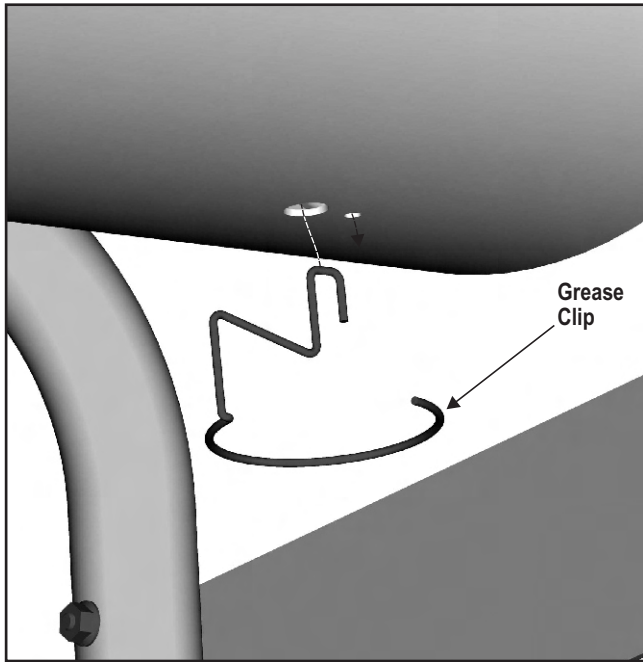
**14** If you have purchased the optional 3" Temperature Gauge, part number 40003010, remove the attached nut, insert gauge stem into large hole in cooking chamber door and attach nut to gauge on inside of door. **DO NOT OVERTIGHTEN NUT.** Make sure text and graphics are aligned for easy viewing.

If you do not have a temperature gauge, install the **chrome hole plug** (provided) into temperature gauge hole in cooking chamber door.

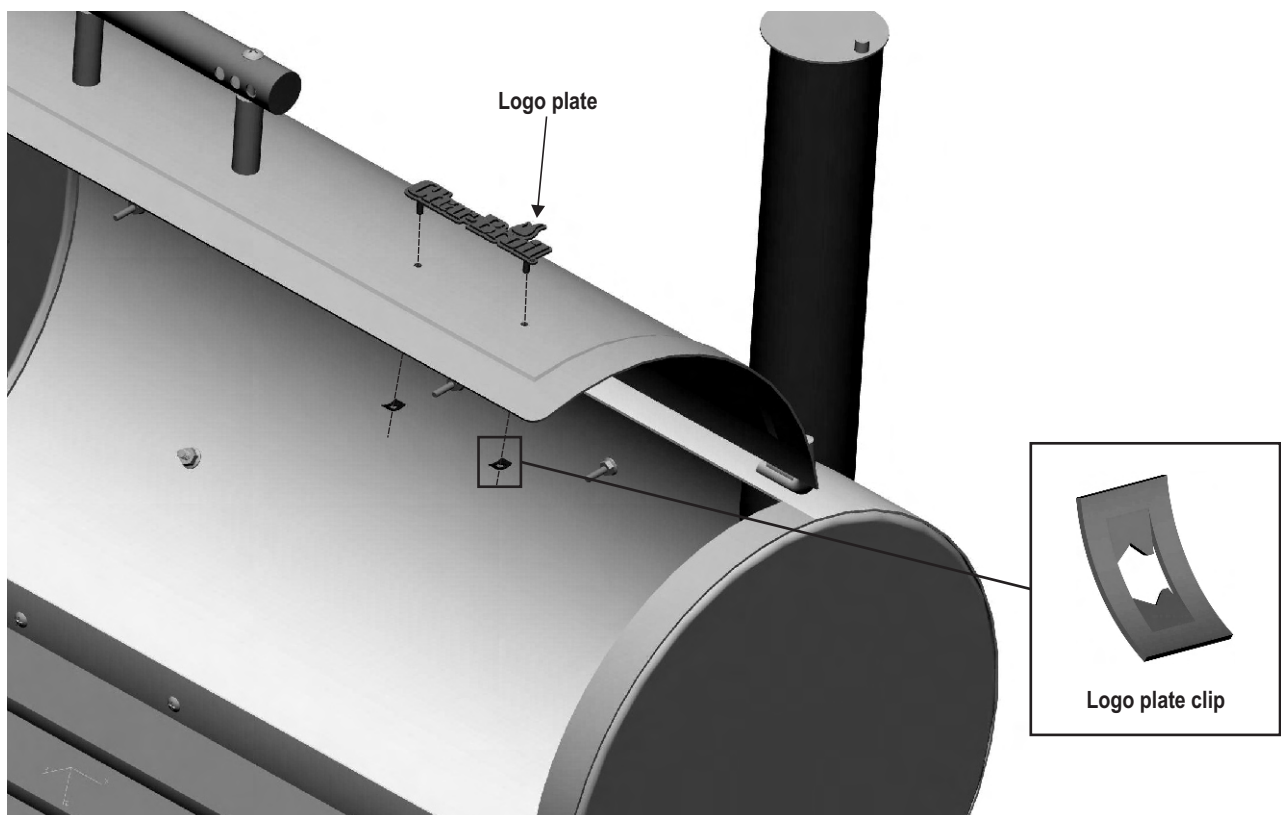
If you would like to purchase the optional 3" Temperature Gauge, part number 40003010, call 1-800-241-7548.



**15** Hang grease clip from holes on bottom right side of smoker chamber. A 12 oz. soup or vegetable can will fit nicely into clip to collect grease.



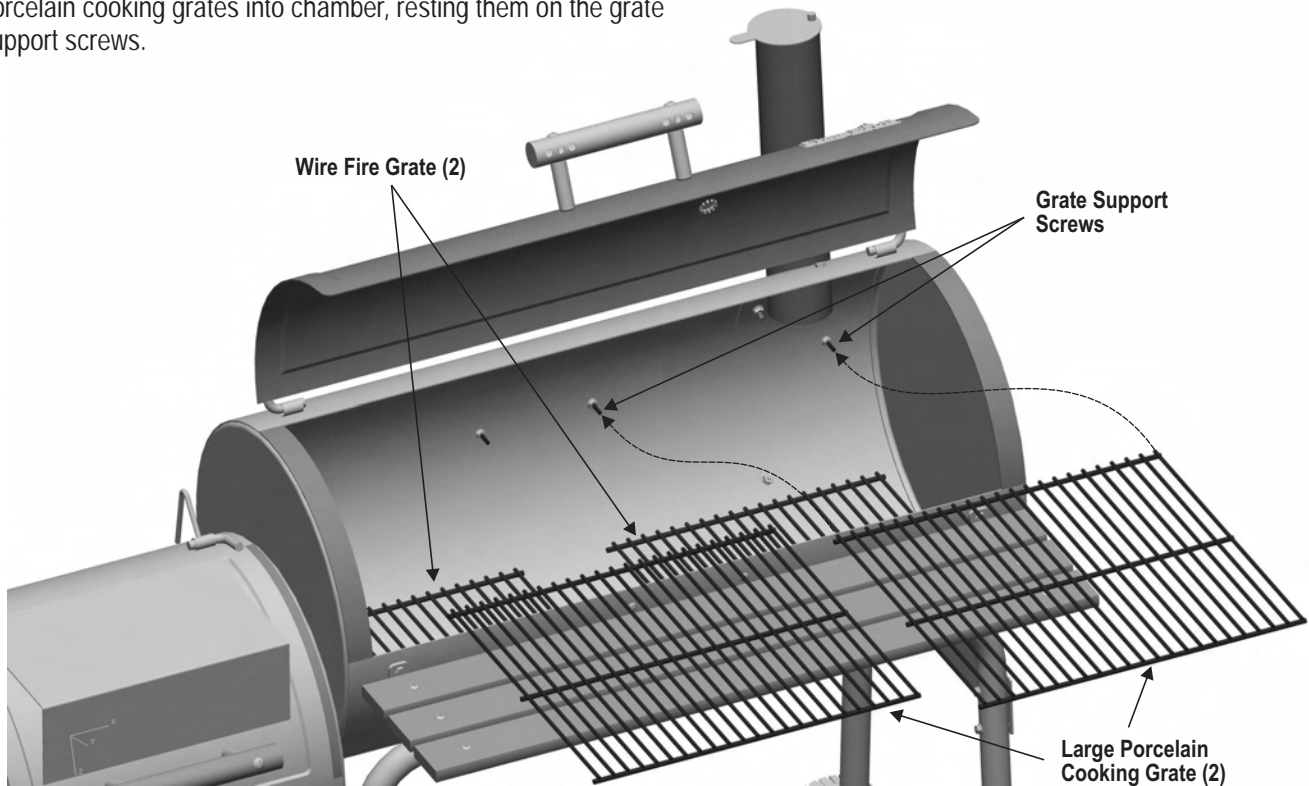
**16** If logo plate is not already installed, insert logo plate pins into two holes in lower right corner of smoker chamber door. Press **logo plate clips** onto pins until snug against inside of door.



# 17

**NOTE:** Smoker chamber door not pictured for clarity.

If you wish to grill in the smoker chamber, place two of the three wire fire grates into bottom of smoker chamber. Place two large porcelain cooking grates into chamber, resting them on the grate support screws.

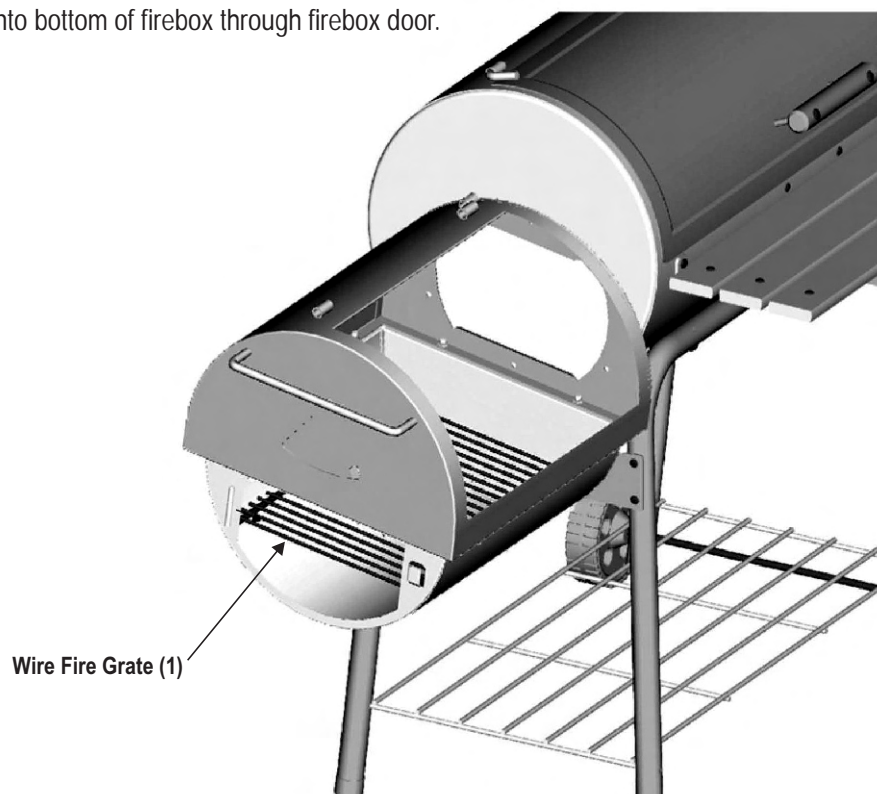


# 18

**Firebox Fire Grate Installation for Smoking or Grilling:**

**NOTE:** Firebox side door not pictured for clarity.

Place remaining wire fire grate into bottom of firebox through firebox door.



# 19 Firebox Cooking Grate Installation for Grilling:

**NOTE:** Firebox door not pictured for clarity.

Insert small porcelain cooking grate into firebox.



Small Porcelain  
Cooking Grate (1)

# HARDWARE LIST

Hardware is shown actual size. You may have spare hardware after assembly is complete.



Leg Cap  
Qty: 2  
*(Already installed)*



Wood Handle Spacer  
Qty: 4



Hole Plug  
Qty: 1



Logo Plate Clip  
Qty: 2



Cotter Pin  
Qty: 2



Fiber Washer  
Qty: 4



Flat Washer  
Qty: 14  
*(4 already installed)*



1/4-20  
Flange Nut  
Qty: 18



1/4-20  
Hex Nut  
Qty: 2  
*(Already installed)*



#10-24  
Flange Nut  
Qty: 24



#8-32  
Lock Nut  
Qty: 2



1/4-20x4"  
Machine Screw  
Qty: 4



1/4-20x2"  
Machine Screw  
Qty: 4



#10-24x1 3/4"  
Machine Screw  
Qty: 8



1/4-20x1 1/4"  
Hex-Head Bolt  
Qty: 2



#10-24x1"  
Machine Screw  
Qty: 16



1/4-20x3/4"  
Hex-Head Bolt  
Qty: 10  
*(2 already installed)*



#8-32x1/2"  
Machine Screw  
Qty: 2



## WARNING



**MOST SURFACES ON THIS UNIT ARE HOT WHEN IN USE.  
USE EXTREME CAUTION. KEEP OTHERS AWAY FROM UNIT.  
ALWAYS WEAR PROTECTIVE CLOTHING TO PREVENT INJURY.**



## Preparing and Using Your Silver Smoker

Before cooking with your Silver Smoker, the following steps should be closely followed to both cure the finish and season the interior steel. Failure to properly follow these steps may damage the finish and/or impart metallic flavors to your first foods.

1. Brush all interior surfaces including grills and grates with vegetable cooking oil.
2. Build a small fire on the fire grate, being sure not to lay coals against the walls.
3. Close door. (Position butterfly damper and smokestack damper approximately at one quarter open.) This burn should be sustained for at least two hours, the longer the better. Then, begin increasing temperature by opening the butterfly damper and smokestack damper half-way and adding more charcoal. Your Silver Smoker is now ready for use.

Rust can appear on the inside of your smoker. Maintaining a light coat of vegetable oil on interior surfaces will aid in the protection of your unit. Exterior surfaces of smoker may need occasional touch up. We recommend the use of a commercially available black high temperature spray paint. **NEVER PAINT THE INTERIOR OF THE UNIT !**

### GRILLING

Wood is recommended, however charcoal or a combination of both may be used as the fuel source for grilling, with the fuel source placed and ignited on the fire grate. Do not build too large of a fire. We recommend starting a fire with no more than 4 pounds of charcoal (approximately 60 briquets) and adding more as needed during cooking. After allowing the fire to burn down, place the cooking grills in the smoker. Failure to read and follow instructions for lighting charcoal may result in serious personal injury and/or property damage.

### GRILL MAINTENANCE

Frequency of cleanup is determined by how much your smoker is used. Make sure coals are completely extinguished before cleaning inside of smoker. Inside surfaces may be cleaned with a strong solution of detergent and water applied with a scrub brush. Thoroughly rinse with water and allow to air dry before using again.

If a bristle brush is used to clean any of the grill cooking surfaces, ensure no loose bristles remain on cooking surfaces prior to grilling. It is not recommended to clean cooking surfaces while grill is hot.

### SMOKING AND SLOW COOKING

If using the Silver Smoker as a smoker or slow cooker, remove the cooking grill from the firebox and build your fire on top of the fire grate in the firebox. Either charcoal or wood may be used, but wood is the recommended fuel for it's rate of burn and the flavor it imparts to the food being cooked. Most seasoned hardwoods are good for smoking such as hickory, mesquite, pecan, oak, and many other fruit woods. The firebox will accommodate most split fireplace size logs (16"). Bark should be avoided or burned off first as it contains a high acid content and imparts an acrid flavor.

After allowing the fire to burn down, close the doors and control the temperature and smoke with the dampers located on the firebox and atop the smokestack. Smoke is contained within the chambers, which will reduce burn while imparting more smoke flavor. Do not operate the Silver Smoker with temperatures exceeding 450 degrees in the smoker chamber. Place the food in the smoker chamber and monitor the temperature. Cooking and smoking are taking place using indirect heat. There is no need to worry about a grease fire flare-up ruining the food. Do not place food within 6" of the opening from the firebox into the smoker chamber. A general rule of thumb for cooking is about 1 hour per pound for smoking large cuts of meat. Refer to a cook book for specific cuts of meats. Limit the number of times you open the smoker chamber door as this will allow heat to escape and extend the cooking time.

### HELPFUL HINTS

- If food seems to be getting too smoky or brown before the cooking time is finished, cover it loosely with heavy duty aluminum foil.
- Remove the ash after each use.
- Covered side dishes can be warmed in smoker chamber.
- To prevent flare-ups, brush meat lightly with oil before grilling.
- Keep a small squirt bottle of water handy for grilling flare-ups.

## Limited Warranty

Manufacturer warrants to the original consumer-purchaser only that this product shall be free from defects in workmanship and materials after correct assembly and under normal and reasonable home use for the periods indicated below beginning on the date of purchase.

The manufacturer reserves the right to require that defective parts be returned, postage and or freight pre-paid, by the consumer, for review and examination.

### 90 Days LIMITED warranty

Upon consumer supplying proof of purchase as provided herein, Manufacturer will repair or replace the parts listed below which are proven defective during the applicable warranty period. Parts required to complete such repair or replacement shall be free of charge to you except for shipping costs. **The original consumer-purchaser will be responsible for all shipping charges of parts replaced under the terms of this limited warranty.**

This limited warranty is applicable in the United States and Canada only, is only available to the original owner of the product and is not transferable. Manufacturer requires reasonable proof of your date of purchase. Therefore, you should retain your sales slip or invoice and register your new product immediately. Defective or missing parts subject to this limited warranty will not be replaced without registration and proof of purchase. Register online at <http://www.charbroil.com> or complete and return via mail the Product Registration Card located on the last page of the Use & Care manual included with this product and retain your sales receipt for proof of purchase.

This limited warranty applies to the functionality of the product ONLY and does not cover cosmetic issues such as scratches, dents, corruptions or discoloring by heat, abrasive and chemical cleaners or any tools used in the assembly or installation of the appliance, surface rust, or the discoloration of stainless steel surfaces.

This limited warranty will not reimburse you for the cost of any inconvenience, food, personal injury or property damage.

If an original replacement part is not available, a comparable replacement part will be sent. You will be responsible for all shipping charges of parts replaced under the terms of this limited warranty.

#### ITEMS MANUFACTURER WILL NOT PAY FOR:

1. Service calls to your home.
2. Repairs when your product is used for other than normal, single-family household or residential use.
3. Damage resulting from accident, alteration, misuse, abuse, fire, flood, acts of God, improper installation, installation not in accordance with electrical or plumbing codes, or use of products not approved by the manufacturer.
4. Any food loss due to product failures.
5. Replacement parts or repair labor costs for units operated outside the United States or Canada.
6. Pickup and delivery of your product.
7. Repairs to parts or systems resulting from unauthorized modifications made to the product.
8. The removal and/or reinstallation of your product.
9. Shipping cost, standard or expedited, for warranty and replacement parts.

#### DISCLAIMER OF IMPLIED WARRANTIES; LIMITATION OF REMEDIES

Repair or replacement of defect parts is your exclusive remedy under the terms of this limited warranty. Manufacturer will not be responsible for any consequential or incidental damages arising from the breach of either this limited warranty or any applicable warranty, or for failure or damage resulting from acts of God, improper care and maintenance, grease fire, accident, alteration, replacement of parts by anyone other than Manufacturer, misuse, transportation, commercial use, abuse, hostile environments (inclement weather, acts of nature, animal tampering), improper installation or installation not in accordance with local codes or printed manufacturer instructions.

THIS LIMITED WARRANTY IS THE SOLE EXPRESS WARRANTY GIVEN BY THE MANUFACTURER. NO PRODUCT PERFORMANCE SPECIFICATION OR DESCRIPTION WHEREVER APPEARING IS WARRANTED BY MANUFACTURER EXCEPT TO THE EXTENT SET FORTH IN THIS LIMITED WARRANTY. ANY IMPLIED WARRANTY PROTECTION ARISING UNDER THE LAWS OF ANY STATE, INCLUDING IMPLIED WARRANTY OF MERCHANTABILITY OR FITNESS FOR A PARTICULAR PURPOSE OR USE, IS HEREBY LIMITED IN DURATION TO THE DURATION OF THIS LIMITED WARRANTY.

**Neither dealers nor the retail establishment selling this product has any authority to make any additional warranties or to promise remedies in addition to or inconsistent with those stated above.**

Manufacturer's maximum liability, in any event, shall not exceed the documented purchase price of the product paid by the original consumer.

**This warranty only applies to units purchased from an authorized retailer and or re-seller.**

NOTE: Some states do not allow an exclusion or limitation of incidental or consequential damages, so some of the above limitations or exclusions may not apply to you. This limited warranty gives you specific legal rights as set for herein. You may also have other rights which vary from state to state. In the state of California only, if refinishing or replacement of the product is not commercially practicable, the retailer selling this product or the Manufacturer will refund the purchase price paid for the product, less the amount directly attributable to use by the original consumer-purchaser prior to discovery of the nonconformity. In addition, in the state of California only, you may take the product to the retail establishment selling this product in order to obtain performance under this limited warranty.

**If you wish to obtain performance of any obligation under this limited warranty, you should write to:**

**Char-Broil Consumer Relations  
P. O. Box 1240  
Columbus, GA 31902-1240**

Consumer returns will not be accepted unless a valid Return Authorization is first acquired by calling 1-800-241-7548 and then clearly marked on the outside of the package and the package is shipped freight/postage pre-paid to the address above.



Char-Broil, LLC • Columbus, GA 31904 • Assembly Instructions © 2007  
Printed in China

## Free Manuals Download Website

<http://myh66.com>

<http://usermanuals.us>

<http://www.somanuals.com>

<http://www.4manuals.cc>

<http://www.manual-lib.com>

<http://www.404manual.com>

<http://www.luxmanual.com>

<http://aubethermostatmanual.com>

Golf course search by state

<http://golfingnear.com>

Email search by domain

<http://emailbydomain.com>

Auto manuals search

<http://auto.somanuals.com>

TV manuals search

<http://tv.somanuals.com>