

CHICAGO[®]
Electric

3-SPEED AIR BLOWER

2500 CFM MAXIMUM

Model 95235

OPERATION INSTRUCTIONS



Due to continuing improvements, actual product may differ slightly from the product described herein.



3491 Mission Oaks Blvd., Camarillo, CA 93011

Visit our website at: <http://www.harborfreight.com>

**TO PREVENT SERIOUS INJURY, READ AND UNDERSTAND
ALL WARNINGS AND INSTRUCTIONS BEFORE USE.**

Copyright© 2006 by Harbor Freight Tools®. All rights reserved. No portion of this manual or any artwork contained herein may be reproduced in any shape or form without the express written consent of Harbor Freight Tools.

For technical questions or replacement parts, please call 1-800-444-3353.

SPECIFICATIONS

Electrical Requirements	120 VAC / 60 Hz / 1/2 HP Motor		
Power Switch Setting	High	Medium	Low
Amps	5.5	4.4	3.8
RPM	1050	950	750
CFM	2500	2000	1450
Power Cord	18 AWG x 3C / 30 Ft. Long		
Power Plug	3-Prong Grounding		
Material	Polyethylene Housing / Black Oxide Coated Steel Mesh		
Overall Dimensions	18-7/8" Long x 18" Wide x 19-1/3" High		
Main Blower Dimensions	11" Diameter x 10-3/4" Wide		
Main Blower Blades	0.025" Thick (Qty. 96)		
Air Vent Dimensions	12" Diameter		
Weight	36.3 Pounds		



Save This Manual

You will need this manual for the safety warnings and precautions, assembly, operating, inspection, maintenance and cleaning procedures, parts list and assembly diagram. Keep your invoice with this manual. Write the invoice number on the inside of the front cover. Write the product's serial number in the back of the manual near the assembly diagram, or write month and year of purchase if product has no number. Keep this manual and invoice in a safe and dry place for future reference.

GENERAL SAFETY RULES

 **WARNING!**

READ AND UNDERSTAND ALL INSTRUCTIONS
Failure to follow all instructions listed below may result in
electric shock, fire, and/or serious injury.
SAVE THESE INSTRUCTIONS

WORK AREA

1. **Keep your work area clean and well lit.** Cluttered benches and dark areas invite accidents.
2. **Do not operate the fan in explosive atmospheres, such as in the presence of flammable liquids, gases, or dust.** Fans may create sparks which may ignite the dust or fumes. Do not use this Fan to disperse flammable gas, dust, or mist.
3. **Keep children away while operating the Fan.** Children may insert fingers or other objects through the guard, resulting in severe personal injury.

ELECTRICAL SAFETY

1. **Grounded fans must be plugged into an outlet properly installed and grounded in accordance with all codes and ordinances. Never remove the grounding prong or modify the plug in any way. Do not use any adapter plugs. Check with a qualified electrician if you are in doubt as to whether the outlet is properly grounded.** If the fan should electrically malfunction or break down, grounding provides a low resistance path to carry electricity away from the user.
2. **WARNING: To reduce the risk of fire or electric shock, do not use this fan with any solid state speed control device.**
3. **Avoid body contact with grounded surfaces such as pipes, radiators, ranges, and refrigerators.** There is an increased risk of electric shock if your body is grounded.
4. **WARNING: To reduce the risk of fire or electric shock, do not expose this fan to water or rain.**
5. **Do not abuse the Power Cord. Never use the Power Cord to carry the fan or pull the Plug from an outlet. Keep the Power Cord away from heat, oil, sharp edges, or moving parts. Replace damaged Power Cords immediately.** Damaged Power Cords increase the risk of electric shock.

PERSONAL SAFETY

1. **Be sure the fan is on a stable, flat surface when in operation.**
2. **Dress properly. Do not wear loose clothing or jewelry. Contain long hair. Keep your hair, clothing, and gloves away from moving parts.** Loose clothes, jewelry, or long hair can be caught in moving parts.
3. **Avoid accidental starting. Be sure the Power Switch is off before plugging in.**

FAN USE AND CARE

1. **Do not use the Fan if the Power Switch does not turn it on or off.**
2. **Disconnect the Power Cord Plug from the power source before making any adjustments, changing accessories, or storing the fan.** Such preventive safety measures reduce the risk of starting the fan accidentally.
3. **Store the fan out of reach of children and other untrained persons.** Fans are dangerous in the hands of untrained users.
4. **Check for misalignment or binding of moving parts, breakage of parts, and any other condition that may affect the fan's operation. If damaged, have the fan serviced before using.**

SERVICE

1. **Fan service must be performed only by qualified repair personnel.** Service or maintenance performed by unqualified personnel could result in a risk of injury. If the Blade Guard is removed for service, it must be replaced before resuming operation.
2. **When servicing a fan, use only identical replacement parts. Follow instructions in the “*Inspection, Maintenance, And Cleaning*” section of this manual.** Use of unauthorized parts or failure to follow maintenance instructions may create a risk of electric shock or injury.

SPECIFIC SAFETY RULES

1. **WARNING!** To reduce the risk of fire or electric shock, do not use this Fan with any solid-state speed control device.
2. **After servicing, any safety device (includes grilles, impeller, etc.) shall be reinstalled or remounted as previously installed.**
3. **Maintain labels and nameplates on the Fan.** These carry important information. If unreadable or missing, contact Harbor Freight Tools for a replacement.
4. **Always wear ANSI-approved safety impact eye goggles when operating the Fan.** Using personal safety devices reduce the risk for injury. Safety impact eye goggles are available from Harbor Freight Tools.
5. **Always keep the work area free of obstructions, grease, oil, trash, and other debris.** This Fan can pick up and propel small objects (such as sand).
6. **Always keep the Power Cord (8) and any extension cords away from moving blade on the Fan.**
7. **Never leave the Fan unattended when it is plugged into an electrical outlet.** Turn off the Fan and unplug it from its electrical outlet before leaving.
8. **Keep all personal objects away from the Fan blade.** Make sure hair, fingers, and loose clothing do not come in contact with the Fan blade. Serious injury may result.
9. **WARNING!** People with pacemakers should consult their physician(s) before using this product. Electromagnetic fields in close proximity to a heart pacemaker could cause interference to or failure of the pacemaker.
10. **DO NOT use the fan in a window.** Rain and moisture may create an electrical hazard.
11. **Keep all guards in place and in proper working order.**

12. **CAUTION!** This product features an automatic reset safety device in its Motor. To reduce the risk of injury disconnect power supply before servicing.
13. **Do not use an extension cord with this Fan.**
14. **Make sure the Air Blower is located on a dry, flat, level, sturdy surface capable of supporting the weight of the unit.**
15. **Always unplug the Air Blower from its power supply source before performing any inspection, maintenance, or cleaning procedures.**
16. **WARNING!** The warnings and cautions discussed in this manual cannot cover all possible conditions and situations that may occur. It must be understood by the operator that common sense and caution are factors which cannot be built into this product, but must be supplied by the operator.

SAVE THESE INSTRUCTIONS

GROUNDING

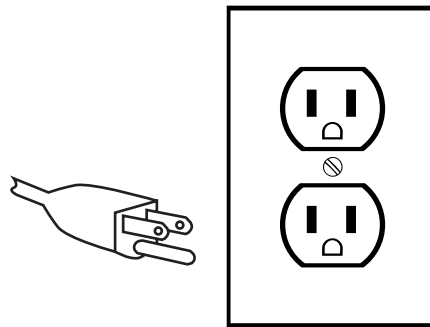
 **WARNING!**

Improperly connecting the grounding wire can result in the risk of electric shock. Check with a qualified electrician if you are in doubt as to whether the outlet is properly grounded. Do not modify the power cord plug provided with the blower. Never remove the grounding prong from the plug. Do not use the blower if the power cord or plug is damaged. If damaged, have it repaired by a service facility before use. If the plug will not fit the outlet, have a proper outlet installed by a qualified electrician.

GROUNDING BLOWERS: BLOWERS WITH THREE PRONG PLUGS

1. Blowers marked with "Grounding Required" have a three wire cord and three prong grounding plug. The plug must be connected to a properly grounded outlet. If the blower should electrically malfunction or break down, grounding provides a low resistance path to carry electricity away from the user, reducing the risk of electric shock. **(See 3-Prong Plug and Outlet.)**
2. The grounding prong in the plug is connected through the green wire inside the cord to the grounding system in the blower. The green wire in the cord must be the only wire connected to the blower's grounding system and must never be attached to an electrically "live" terminal. **(See 3-Prong Plug and Outlet.)**

3. Your blower must be plugged into an appropriate outlet, properly installed and grounded in accordance with all codes and ordinances. The plug and outlet should look like those in the following illustration. **(See 3-Prong Plug and Outlet.)**



3-Prong Plug and Outlet

SYMBOLOLOGY

	Double Insulated
	Canadian Standards Association
	Underwriters Laboratories, Inc.
V~	Volts Alternating Current
A	Amperes
n ₀ xxxx/min.	No Load Revolutions per Minute (RPM)

UNPACKING

When unpacking, make sure the item is intact and undamaged. If any parts are missing or broken, please call Harbor Freight Tools at the number shown on the cover of this manual as soon as possible.

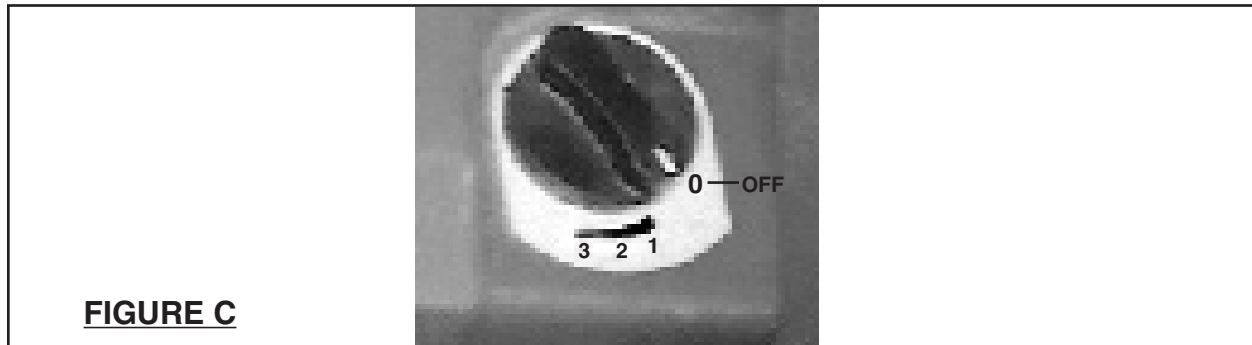
READ AND SAVE THESE INSTRUCTIONS.

OPERATING INSTRUCTIONS

Note: For additional information regarding the parts listed in the following pages, refer to the **Assembly Diagram** on page 10.

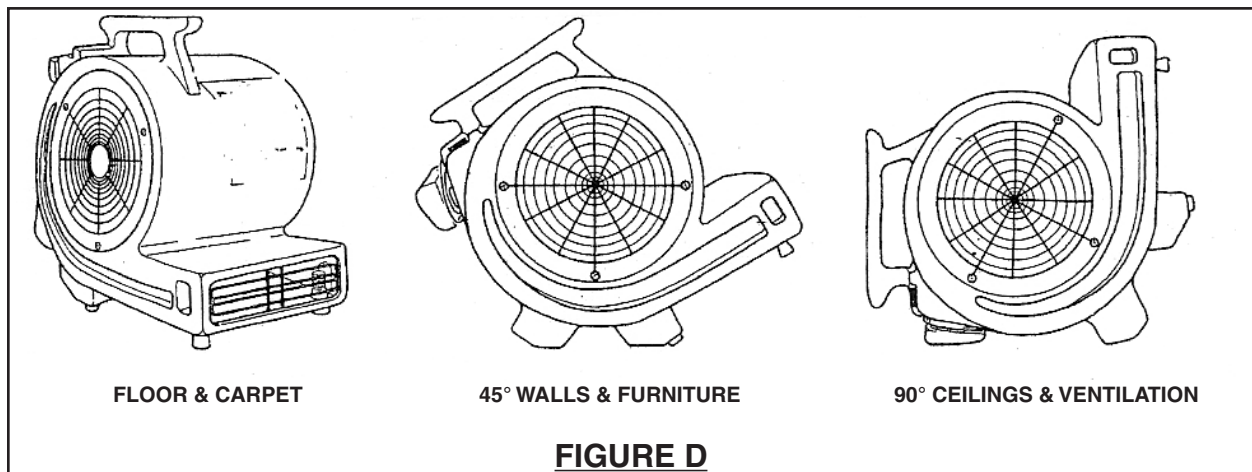
Warning: To reduce the risk of fire or electric shock, **DO NOT USE THIS FAN WITH ANY SOLID-STATE SPEED CONTROL DEVICE.**

The Power Switch:



1. The Air Blower features a three-speed Power Switch (10) and may be set on **3: HIGH** (1050 RPM), **2: MEDIUM** (950 RPM), or **1: LOW** (730 RPM). (See Figure C.)
2. **CAUTION!** Always make sure the Power Switch (10) of the Air Blower is in its “OFF” position and the unit is unplugged from its electrical outlet prior to performing any inspection, maintenance, or cleaning procedures. (See Figure C.)

To Position The Air Blower:



CAUTION! Make sure the Air Blower is located on a dry, flat, level, sturdy surface capable of supporting the weight of the unit. (See Figure D.)

To Operate The Air Blower:

1. Once the Air Blower is positioned in the desired location, make sure the Power Switch (10) is in its “**OFF**” position. **(See Figures C and D.)**
2. Plug the Power Cord (14) of the Air Blower into the nearest 120 volt, GFCI (Ground Fault Circuit Interrupter) electrical outlet.
3. Turn the Power Switch (10) to either its **HIGH, MEDIUM, or LOW** setting. Periodically monitor the operation of the Air Blower when it is in use. **(See Figure C.)**
4. When finished using the Air Blower, turn the Power Switch (10) to its “**OFF**” position. Then unplug the Power Cord (14) from its electrical outlet. **(See Figure C.)**
5. Make sure to store the Air Blower in a clean, dry, safe location out of reach of children and other unauthorized people.

INSPECTION, MAINTENANCE, AND CLEANING

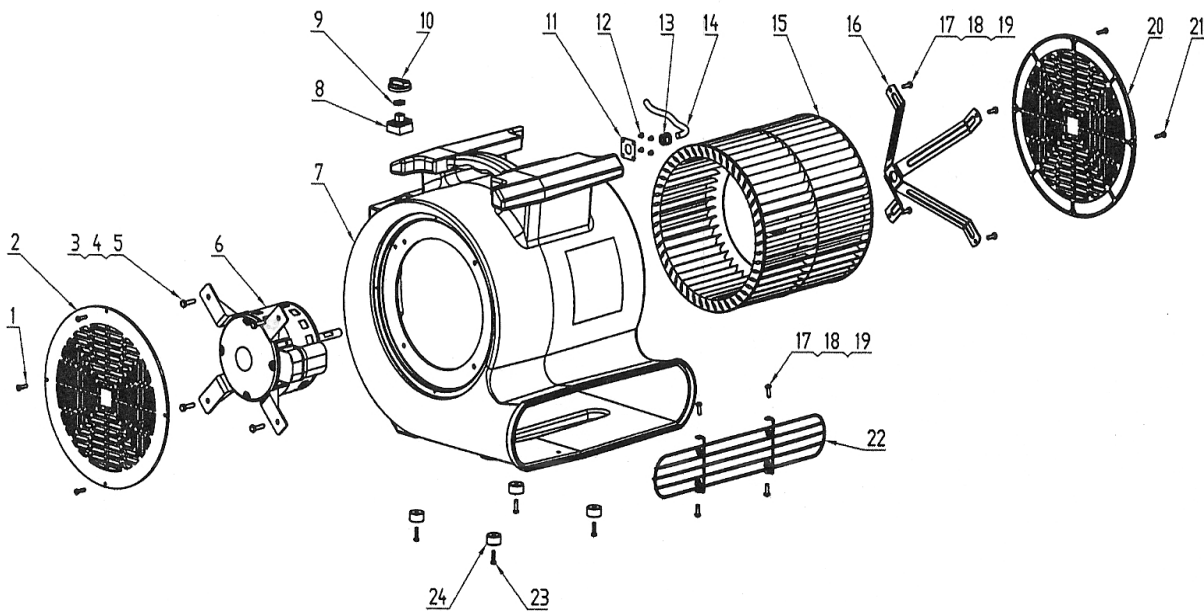
1. **CAUTION!** Always make sure the Power Switch (10) of the Air Blower is in its “**OFF**” position and the unit is unplugged from its electrical outlet prior to performing any inspection, maintenance, or cleaning procedures. **(See Figure C.)**
2. **Before each use,** inspect the general condition of the Air Blower. Check for misalignment or binding of moving parts, cracked or broken parts, damaged electrical wiring, and any other condition that may affect its safe operation. If abnormal noise or vibration occurs, have the problem corrected before further use. **Do not use damaged equipment.**
3. To clean the exterior of the Air Blower, use only a clean cloth and mild detergent. **Do not immerse any part of the unit in liquid.** To clean the Impeller (15) or inside the Housing (7), remove the Side Guard (20) by removing the Screws (21). Wipe with a damp cloth only. Then replace the Side Guard and re-install the Screws. **(See Assy. Diagram.)**
4. **CAUTION! All maintenance, service, or repairs not mentioned in this manual must only be performed by a qualified service technician.**

PARTS LIST

Part	Description	Q'ty
1	Screw (ST4.2 x 19)	4
2	Side Guard	1
3	Bolt (M6 x 21)	4
4	Pad	4
5	Screw (M6)	4
6	Motor	1
7	Housing	1
8	Rotary Switch	1
9	Copper Screw	1
10	Power Switch	1
11	Cord Plate	1
12	Cord Protector	1

Part	Description	Q'ty
13	Screw (ST3.5 x 10)	4
14	Power Cord	1
15	Impeller	1
16	Motor Bracket	1
17	Screw (M5)	8
18	Pad	8
19	Screw (M5)	8
20	Side Guard	1
21	Screw (ST4.2 x 19)	4
22	Front Guard	1
23	Screw (ST4.2 x 19)	4
24	Rubber Foot	4

ASSEMBLY DIAGRAM



Record Product's Serial Number Here: _____

Note: If product has no serial number, record month and year of purchase instead.

Note: Some parts are listed and shown for illustration purposes only, and are not available individually as replacement parts.

PLEASE READ THE FOLLOWING CAREFULLY

THE MANUFACTURER AND/OR DISTRIBUTOR HAS PROVIDED THE PARTS LIST AND ASSEMBLY DIAGRAM IN THIS MANUAL AS A REFERENCE TOOL ONLY. NEITHER THE MANUFACTURER OR DISTRIBUTOR MAKES ANY REPRESENTATION OR WARRANTY OF ANY KIND TO THE BUYER THAT HE OR SHE IS QUALIFIED TO MAKE ANY REPAIRS TO THE PRODUCT, OR THAT HE OR SHE IS QUALIFIED TO REPLACE ANY PARTS OF THE PRODUCT. IN FACT, THE MANUFACTURER AND/OR DISTRIBUTOR EXPRESSLY STATES THAT ALL REPAIRS AND PARTS REPLACEMENTS SHOULD BE UNDERTAKEN BY CERTIFIED AND LICENSED TECHNICIANS, AND NOT BY THE BUYER. THE BUYER ASSUMES ALL RISK AND LIABILITY ARISING OUT OF HIS OR HER REPAIRS TO THE ORIGINAL PRODUCT OR REPLACEMENT PARTS THERETO, OR ARISING OUT OF HIS OR HER INSTALLATION OF REPLACEMENT PARTS THERETO.

WARRANTY



CHICAGO
Electric®

**LIMITED 90 DAY
WARRANTY**

Harbor Freight Tools Co. makes every effort to assure that its products meet high quality and durability standards, and warrants to the original purchaser that this product is free from defects in materials and workmanship for the period of ninety days from the date of purchase. This warranty does not apply to damage due directly or indirectly, to misuse, abuse, negligence or accidents, repairs or alterations outside our facilities, or to lack of maintenance. We shall in no event be liable for death, injuries to persons or property, or for incidental, contingent, special or consequential damages arising from the use of our product. Some states do not allow the exclusion or limitation of incidental or consequential damages, so the above limitation of exclusion may not apply to you. THIS WARRANTY IS EXPRESSLY IN LIEU OF ALL OTHER WARRANTIES, EXPRESS OR IMPLIED, INCLUDING THE WARRANTIES OF MERCHANTABILITY AND FITNESS.

To take advantage of this warranty, the product or part must be returned to us with transportation charges prepaid. Proof of purchase date and an explanation of the complaint must accompany the merchandise. If our inspection verifies the defect, we will either repair or replace the product at our election or we may elect to refund the purchase price if we cannot readily and quickly provide you with a replacement. We will return repaired products at our expense, but if we determine there is no defect, or that the defect resulted from causes not within the scope of our warranty, then you must bear the cost of returning the product.

This warranty gives you specific legal rights and you may also have other rights which vary from state to state.

3491 Mission Oaks Blvd. • PO Box 6009 • Camarillo, CA 93011 • (800) 444-3353

CHICAGO[®]
Electric

SOUFFLEUR D'AIR À 3-VITESSE MAXIMUM DE 2500 CFM

Modèle 95235

INSTRUCTIONS D'INSTALLATION



IMPORTANT!

Cette édition de langue française est une traduction du manuel anglais original accompagnant ce produit. Si une partie du manuel anglais original est inconsistante avec cette traduction, le manuel anglais original gouvernera.

En raison des améliorations continuantes, le produit réel peut différer légèrement du produit décrit ici.



3491 Mission Oaks Blvd., Camarillo, CA 93011

Visitez notre site Internet à <http://www.harborfreight.com>

**POUR ÉVITER LA BLESSURE SÉRIEUSE, LISEZ
ET COMPRENEZ TOUS LES AVERTISSEMENTS
ET LES INSTRUCTIONS AVANT L'UTILISATION.**

Le Copyright[®] 2006 par le Harbor Freight Tools[®]. Tous droits réservés. Aucune portion de ce manuel ou de n'importe quel travail d'art contenu ici ne peut être reproduite dans aucune forme ou forme sans le consentement écrit explicite de Harbor Freight Tools.

**Pour les questions techniques et les pièces détachées,
appelez-vous s'il vous plaît 1-800-444-3353.**

CARACTÉRISTIQUES

Puissance Nécessaire	120 V~ / 60 Hz / Moteur de 1½ HP		
Cadre d'Interrupteur de Pouvoir	Haut	Moyen	Bas
Ampères	5.5	4.4	3.8
tr-min	1050	950	750
CFM	2500	2000	1450
Cordon d'Alimentation	AWG de 18 x 3C / 30 pieds en longueur		
Fiche d'alimentation électrique	Mise à la terre à trois broche		
Matériau	Joues en polyéthylène/ Laine d'acier couvert de oxyde noir		
Dimension Totale	18-7/8 en longueur x 18 pouces en largeur x 19-1/3 pouces en hauteur		
Dimension du Souffleur Principal	Diamètre de 11 pouces de x 10-3/4 pouces en largeur		
Lame du Souffleur Principal	0.025 pouces d'épaisseur (Quantité 96)		
Dimension de Grille d'Aération	Diamètre de 12 pouces		
Poids Net	36.3 livres		



GARDEZ CE GUIDE

Gardez ce guide pour les conseils de sécurités et précautions, installation, instructions d'utilisation, inspection, entretien, nettoyage, la liste des pièces et le schéma du produit. Gardez votre facture avec ce guide. Inscrivez le numéro de facture à l'intérieur de la couverture. Notez le numéro de série du produit dans l'arrière de ce guide à côté du schéma du produit, ou notez la date d'achat s'il n'y a pas de numéro de série. Gardez ce guide et facture dans un endroit sécuritaire et sec pour pouvoir le consulter à l'avenir.

RÈGLES DE SÉCURITÉ GÉNÉRALES

AVERTISSEMENT!

LISEZ ET ASSUREZ-VOUS DE BIEN COMPRENDRE TOUTES LES INSTRUCTIONS.

Le non -respect des instructions ci -après peut entraîner un risque de choc électrique d'incendie et/ou de blessures graves.

GARDEZ CES INSTRUCTIONS

RÉGION DE TRAVAIL

1. **Gardez votre région de travail propre et bien éclairer.** Les bancs encombrés et les régions sombres invitent des accidents.
2. **Ne faites pas marcher le fan dans les atmosphères explosives, comme en présence des liquides inflammables, les gaz, ou la poussière.** Les fans peuvent créer des étincelles qui peuvent enflammer la poussière ou les exhalaisons. N'utilisez pas ce Fan pour disperser du gaz inflammable, une poussière, ou un brouillard.
3. **Tenez des enfants à distance en faisant marcher le Fan.** Les enfants peuvent insérer des doigts ou d'autres objets par la garde, s'ensuivant dans la blessure personnalisée sévère.

SÉCURITÉ ÉLECTRIQUE

1. **Les fans mis à la terre doivent être branchés à une prise de courant murale correctement installée et mise à la terre conformément à tous les codes et aux ordonnances. N'enlevez jamais la dent d'installer à la terre ou modifiez la prise de courant de toute façon. N'utilisez pas n'importe quelles prises de courant d'adaptateur. Vérifiez avec un électricien qualifié si vous êtes douteux quant à si la prise de courant murale est correctement mise à la terre. Si le fan devrait électriquement mal fonctionner ou se décomposer, installer à la terre fournit un sentier de résistance faible pour emporter l'électricité de l'utilisateur.**
2. **AVERTISSEMENT : Pour réduire le risque de feu ou de décharge électrique, n'utilisez pas ce fan avec n'importe quel artifice de contrôle de vitesse d'état solide.**
3. **Évitez le contact de corps avec les surfaces mises à la terre comme les tuyaux, les radiateurs, les cuisinières et les réfrigérateurs. Il y a un risque augmenté de décharge électrique si votre corps est mis à la terre.**
4. **AVERTISSEMENT : Pour réduire le risque de feu ou de décharge électrique, n'exposez pas ce fan à l'eau ou à la pluie.**
5. **N'abusez pas du Cordon de Pouvoir. N'utilisez jamais le Cordon de Pouvoir pour porter le fan ou tirer la Prise de courant d'une prise de courant murale. Tenez le Cordon de Pouvoir à distance de la chaleur, les bords de pétrole, pointus, ou les pièces bougeantes. Remplacez des Cordons de Pouvoir faits tort immédiatement. Les Cordons de Pouvoir Faits tort augmentent le risque de décharge électrique.**

SÉCURITÉ PERSONNALISÉE

1. **Soyez sûrs que le fan est sur une surface ferme, plate quand dans l'opération.**
2. **Robe correctement. Ne portez pas de vêtements desserrés ou de bijouterie. Contenez de longs cheveux. Gardez vos cheveux, vêtements et gants loin de déplacer des pièces. Les vêtements desserrés, la bijouterie, ou les longs cheveux peuvent être attrapés dans les pièces bougeantes.**
3. **Évitez le commencement accidentel. Soyez sûrs que l'Interrupteur de Pouvoir est éteint avant le fait de brancher.**

ATTISEZ L'UTILISATION ET LE SOIN

1. **N'utilisez pas le Fan si l'Interrupteur de Pouvoir ne l'allume pas ou éteint.**
2. **Débranchez la Prise de courant de Cordon de Pouvoir de la source de pouvoir avant le fait de faire n'importe quels ajustages, accessoires changeants, ou**

le fait de conserver le fan. De telles mesures de sécurité préventives réduisent le risque de commencer le fan par hasard.

3. **Conservez le fan hors de portée des enfants et d'autres personnes sans formation.** Les fans sont dangereux dans les mains d'utilisateurs sans formation.
4. **Vérifiez pour le défaut d'alignement ou le fait d'attacher de pièces bougeantes, la fracture de pièces et d'autre condition qui peut affecter l'opération du fan. Si fait tort, faites assurer l'entretien du fan avant l'utilisation.**

ENTRETIEN

1. **L'entretien de fan doit être exécuté seulement par le personnel de réparation qualifié.** L'entretien ou la maintenance exécutée par le personnel disqualifié pourraient s'ensuivre dans un risque de blessure. Si la Garde de lame est enlevée pour l'entretien, il doit être remplacé avant l'opération reprenante.
2. **En assurant l'entretien d'un fan, utilisez des pièces détachées seulement identiques. Suivez des instructions dans la «*Inspection, la Maintenance Et la section Nettoyante de ce manuel.*»** L'utilisation de pièces faites sans autorisation ou d'échec de suivre les instructions de maintenance peut créer un risque de décharge électrique ou de blessure.

RÈGLES DE SÉCURITÉ SPÉCIFIQUES

1. **AVERTISSEMENT!** Pour réduire le risque de feu ou de décharge électrique, n'utilisez pas ce Fan avec n'importe quel artifice de contrôle de vitesse d'état solide.
2. **Après l'entretien, n'importe quel artifice de sécurité (inclut des grilles, un poussoir, etc.) sera réinstallé ou réinstallé comme auparavant installé.**
3. **Maintenez des étiquettes et des plaques sur le Fan.** Ceux-ci portent des renseignements importants. Si illisible ou l'absence, contactez le Harbor Freight Tools pour un remplacement.
4. **Portez toujours des lunettes de protection d'oeil d'impact de sécurité approuvées d'ANSI en faisant marcher le Fan.** L'utilisation les artifices de sécurité personnalisés réduit le risque pour la blessure. Les lunettes de protection d'oeil d'impact de sécurité sont en vente du Harbor Freight Tools.
5. **Gardez toujours la région de travail sans obstructions, graisse, pétrole, déchets et d'autres débris.** Ce Fan peut ramasser et propulser de petits objets (comme le sable).
6. **Gardez toujours le Cordon de Pouvoir (8) et n'importe quels cordons d'extension loin de la lame bougeante sur le Fan.**

7. **Ne laissez jamais le Fan sans surveillance quand il est branché à une prise de courant murale électrique.** Éteignez-le et débranchez-le de sa prise de courant murale électrique avant le départ.
8. **Tenez tous les objets personnalisés à distance de la lame de Fan.** Assurez-vous des cheveux, des doigts et les vêtements desserrés n'entrent pas en contact avec la lame de Fan. La blessure sérieuse peut s'ensuivre.
9. **AVERTISSEMENT!** Les gens avec les stimulateurs cardiaques devraient consulter leur docteur (s) avant le fait d'utiliser ce produit. Les champs électromagnétiques dans la proche proximité à un stimulateur cardiaque du cœur pourraient causer l'interférence à ou l'échec du stimulateur cardiaque.
10. **N'UTILISEZ PAS le fan dans une fenêtre.** La pluie et l'humidité peuvent créer un hasard électrique.
11. **Gardez toutes les gardes dans l'endroit et dans l'ordre travaillant correct.**
12. **PRUDENCE!** Ce produit présente un artifice de sécurité de remise en marche automatique dans son Moteur. Réduire le risque de blessure débranchent l'alimentation électrique avant l'entretien.
13. **N'utilisez pas un cordon d'extension avec ce Fan.**
14. **Assurez-vous que le Souffleur Aérien est trouvé sur un sec, plat, un plan, la surface robuste capable de soutenir le poids de l'unité.**
15. **Débranchez toujours le Souffleur Aérien de sa source d'alimentation électrique avant le fait d'exécuter n'importe quelle inspection, maintenance, ou le fait de nettoyer des procédures.**
16. **AVERTISSEMENT!** Les avertissements et les prudences discutées dans ce manuel ne peuvent pas couvrir toutes les conditions possibles et les situations qui peuvent se produire. Il doit être compris par l'opérateur que le sens commun et la prudence sont des facteurs qui ne peuvent pas être introduits dans ce produit, mais doivent être fournis par l'opérateur.

SAUVEZ CES INSTRUCTIONS

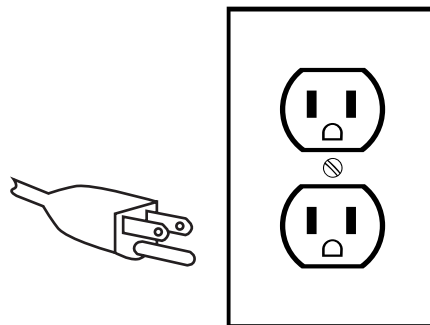
MISE À LA TERRE

AVERTISSEMENT!

Une mauvaise connexion du fil de terre de l'outil peut entraîner un risque de choc électrique. En cas de doutes, consultez un électricien qualifié ou une personne affectée à l'entretien. Ne modifiez pas la fiche de l'outil. Ne modifiez pas la fiche mise à la terre à trois broches. N'utilisez pas l'outil si le cordon d'alimentation ou la fiche est endommagé. S'il est endommagé le faites réparer dans un centre de service avant de l'utiliser.




LES OUTILS MISE À LA TERRE : LES OUTILS FICHE À TROIS BROCHES

1. Les outils étiquetés «Mise à la terre requis» sont munis d'un cordon tri filaire mise à la terre et une prise de mise à la terre. La fiche doit être branché à un cordon mis à la terre. En cas de fonctionnement défectueux ou de panne, la mise à la terre assure un parcours sécuritaire de faible résistance pour le courant électrique, ce qui réduit les risques de choc électrique. **(Voir L'IMAGE A.)**
2. La broche de mise à la terre à l'intérieur de la fiche est raccordée à travers le fil vert à l'intérieur du cordon au conducteur de mise à la terre de l'outil. Le fil vert à l'intérieur du cordon doit être le seul fil raccordé au conducteur de mise à la terre de l'outil et ne devrait jamais être raccordé à une lame sous tension. **(Voir L'IMAGE A.)**
3. L'outil doit être branché dans une prise de courant correctement installée et mise à terre conformément à tous les codes et règlements locaux. La fiche et la prise de courant semblable à celles l'illustrée ci-après. **(Voir L'IMAGE A.)**



L'IMAGE A

SYMBOLES

	Construction de Classe 2
	Association Canadienne de Normalisation
	Underwriters Laboratories Inc.
V~	Volts
A	Ampères
n ₀ xxxx/min.	Sous Vide xxxx/tours à la minute

DÉBALLAGE

Lorsque vous déballez, assurez-vous que les pièces ne sont pas endommagées. S'il manque des pièces ou si des pièces sont endommagées, communiquez le plus vite possible avec Harbor Freight Tools au numéro qui figure sur la couverture de ce guide.

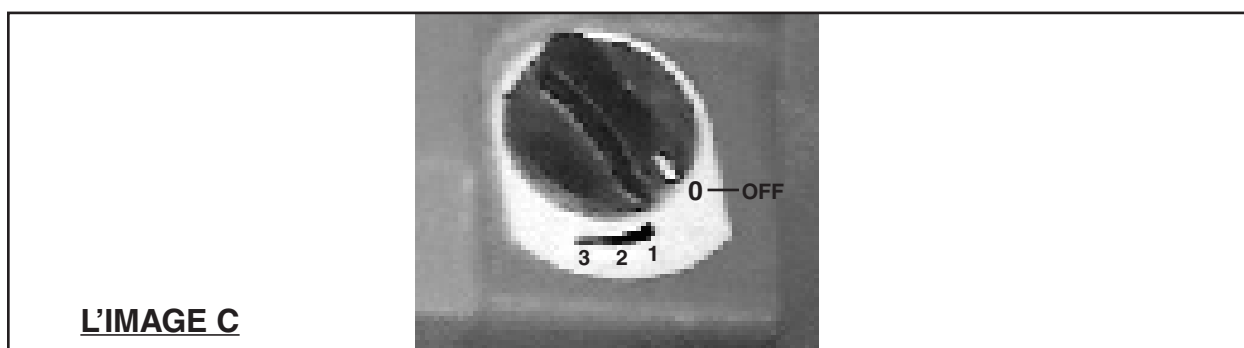
VEUILLEZ LIRE ET GARDEZ CES CONSIGNES DE SÉCURITÉ.

FONCTIONNEMENT

Remarque: Pour de l'information concernant les pièces qui figurent sur les pages suivantes, consultez **Le Schéma du Produit à la page 12.**

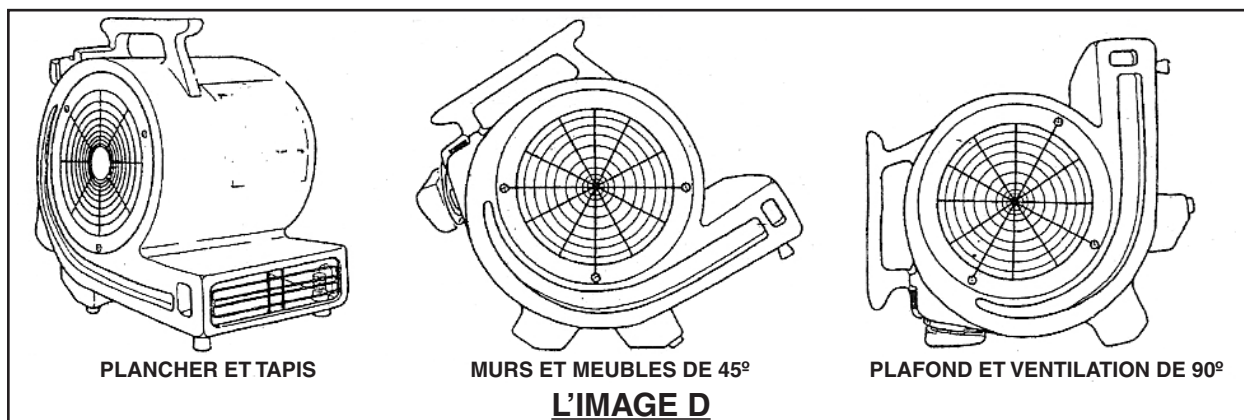
Avertissement: Afin de réduire le risque d'incendie ou de choc électrique, **N'UTILISEZ PAS CE VENTILATEUR AVEC UN DISPOSITIF DE CONTROL DE VITESSE TRANSISTORISÉ.**

L'Interrupteur :



1. Le Souffleur d'Air est muni d'Un Interrupteur à trois vitesses (10) et peut être réglé à la position 3 : HAUT (RPM de 1050), 2 : MOYEN (RPM de 950), OU 1 : BAS (RPM de 730). **(Consultez L'Image C.)**
2. **AVERTISSEMENT!** Toujours assurez-vous que L'Interrupteur (10) de Le Souffleur d'Air est à la position « ARRET » et que l'appareil est débranché de la prise de courant avant de replacer ou d'en retirer des pièces et avant de la nettoyer. **(Consultez L'Image C.)**

Positionner Le Souffleur d'Air :



AVERTISSEMENT ! Assurez-vous que l'outil est fixé sur une plate-forme stable et sèche, qui ne pliera pas sous les poids de L'appareil. **(Consultez L'Image D.)**

Pour Faire Fonctionner Le Souffleur d'Air :

1. Une fois que Le Souffleur d'Air est positionné correctement, assurez-vous que L'Interrupteur (10) est à la position « ARRET ». **(Consultez Les Images C et D.)**
2. Branchez Le Cordon d'Alimentation (14) du Souffleur d'Air dans la prise de courant à disjoncteur différentiel de 120 volts, la plus proche.
3. Tournez L'Interrupteur (10) au réglage HAUT, MOYEN OU BAS. Périodiquement surveillez le fonctionnement de Le Souffleur d'Air lorsqu'il n'est pas utilisé. **(Consultez L'Image C.)**
4. Après l'utilisation du Souffleur d'Air, tournez L'Interrupteur (10) à la position « Arrêt ». Puis débranchez Le Cordon d'Alimentation (14) de la prise de courant. **(Consultez L'Image C.)**
5. **Assurez-vous de ranger l'appareil dans un endroit sécuritaire, propre et sec, hors de la portée des enfants et des personnes inexpérimentées.**

INSPECTION, ENTRETIEN ET NETTOYAGE

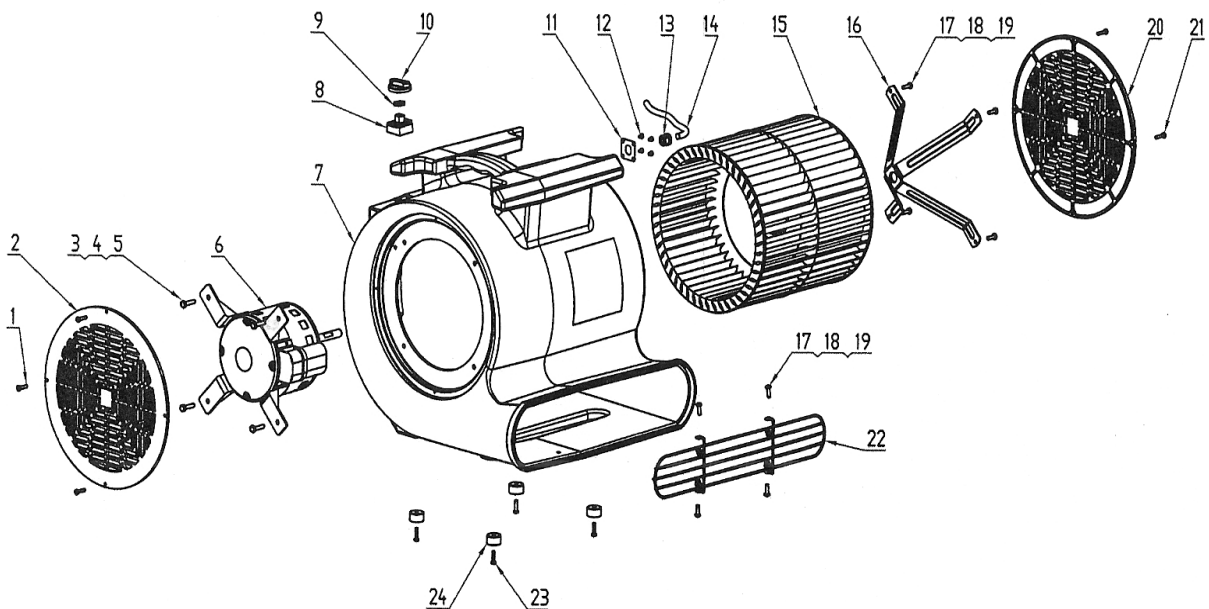
1. **AVERTISSEMENT !** Assurez-vous que L'Interrupteur (10) de Le Souffleur d'Air est réglé à « Arrêt » et que l'appareil est débranché de la prise de courant électrique avant d'y placer ou d'en enlever des pièces ou avant un nettoyage. **(Consultez L'Image C.)**
2. **Avant chaque utilisation**, vérifiez si des pièces mobiles sont désalignées ou coincées, si des pièces sont endommagées ou toute autre situation pouvant nuire au bon fonctionnement de l'outil. Si une vibration anormale se fait sentir ou si un bruit inhabituel se fait entendre, faites corriger le problème avant de réutiliser l'appareil. **N'utilisez pas un outil endommagé.**
3. Afin d'essuyer l'extérieur de l'appareil, utilisez un chiffon propre et détergent doux. **N'immergez jamais l'appareil dans un liquide.** Afin de nettoyer La Turbine (15) ou l'intérieur des Joes (7), retirez Le Protecteur Latéral (20) en retirant Les Vis (21). Essuyez l'appareil avec un chiffon humide. Puis remplacez Le Protecteur Latéral et réinstallez Les Vis. **(Consultez Le Schéma du Produit.)**
4. **Avertissement! L'Entretien qui n'est pas mentionné dans ce guide doit être effectué par un technicien qualifié.**

LISTE DE PIÈCES

Pièce	Description	Q'ty
1	Vis (ST 4.2 x 19)	4
2	Protecteur Latéral	1
3	Boulon (M6 x 21)	4
4	Coussin Protecteur	4
5	Vis (M6)	4
6	Moteur	1
7	Joues	1
8	Interrupteur Rotatif	1
9	Vis à cuivre	1
10	Interrupteur	1
11	Plaque de Cordon	1
12	Protecteur de cordon	1

Pièce	Description	Q'ty
13	Vis (ST 3.5 x 10)	4
14	Cordon d'Alimentation	1
15	Turbine	1
16	Support de Moteur	1
17	Vis (M5)	8
18	Coussin Protecteur	8
19	Vis (M5)	8
20	Protecteur Latéral	1
21	Vis (ST 4.2 x 19)	4
22	Roue de Protection avant	1
23	Vis (ST 4.2 x 19)	4
24	Pied en caoutchouc	4

SCHEMA DU PRODUIT



NOTEZ: Quelques pièces sont énumérées et montrées pour les buts d'illustration seulement et ne sont pas en vente individuellement comme les pièces détachées.

GARANTIE



LISEZ S'IL VOUS PLAÎT LE SUIVANT SOIGNEUSEMENT

LE FABRICANT ET-OU LE DISTRIBUTEUR A FOURNI LA LISTE DE PIÈCES ET LE DIAGRAMME DE MONTAGE DANS CE MANUEL COMME UN INSTRUMENT DE RÉFÉRENCE SEULEMENT. AUCUN LE FABRICANT OU LE DISTRIBUTEUR FONT N'IMPORTE QUELLE REPRÉSENTATION OU GARANTIE DE N'IMPORTE QUELLE SORTE À L'ACHETEUR QU'IL OU ELLE EST AUTORISÉ POUR FAIRE N'IMPORTE QUELLES RÉPARATIONS AU PRODUIT, OU QU'IL OU ELLE EST AUTORISÉ POUR REMPLACER N'IMPORTE QUELLES PIÈCES DU PRODUIT. EN FAIT, LE FABRICANT ET-OU LE DISTRIBUTEUR DÉCLARE EXPRESSÉMENT QUE TOUTES LES RÉPARATIONS ET LES REMPLACEMENTS DE PIÈCES DEVRAIENT ÊTRE ENTREPRIS PAR LES TECHNICIENS DIPLÔMÉS ET AGRÉÉS ET PAS PAR L'ACHETEUR. L'ACHETEUR SUPPOSE TOUT LE RISQUE ET LA RESPONSABILITÉ SURVENANT DU FAIT DE SES RÉPARATIONS AU PRODUIT ORIGINAL OU AUX PIÈCES DÉTACHÉES Y, OU SURVENANT DU FAIT DE SON INSTALLATION DE PIÈCES DÉTACHÉES Y.

Free Manuals Download Website

<http://myh66.com>

<http://usermanuals.us>

<http://www.somanuals.com>

<http://www.4manuals.cc>

<http://www.manual-lib.com>

<http://www.404manual.com>

<http://www.luxmanual.com>

<http://aubethermostatmanual.com>

Golf course search by state

<http://golfingnear.com>

Email search by domain

<http://emailbydomain.com>

Auto manuals search

<http://auto.somanuals.com>

TV manuals search

<http://tv.somanuals.com>