

CHICAGO

Electric Power Tools

SPOTLIGHT

1,000,000 CANDLE POWER

Model 42417

ASSEMBLY & OPERATING INSTRUCTIONS



Visit Our Web Site

<http://www.harborfreight.com>

Distributed Exclusively by



**HARBOR FREIGHT
TOOLS**



3491 Mission Oaks Blvd. / Camarillo, CA 93011

Copyright © 2000 by Harbor Freight Tools. All rights reserved.
No portion of this manual or any artwork contained herein may be reproduced in any
shape or form without the express written consent of Harbor Freight Tools.

For technical questions and replacement parts, please call 1-800-444-3353.

THANK YOU for choosing a **HARBOR FREIGHT TOOLS** product. For future reference, please complete the owner's record below:

Model _____ **Serial No.** _____ **Purchase Date** _____

SAVE THE RECEIPT, WARRANTY AND THESE INSTRUCTIONS. It is important that you read the entire manual to become familiar with the unit BEFORE you begin assembly.

Technical Specifications

Tool Name:	Spotlight, 1,000,000 Candle Power
Item Number:	42417
Housing Diameter:	6"
Battery:	12 VDC
Lens Adapter:	5"
Lens Construction:	3/16" Glass
Candle Power	1,000,000
Light Source:	Quartz Halogen Bulb
Handle:	4" Pistol Grip
Trigger:	Squeeze Type with Trigger Hold
Power Adapter:	120 VAC / 60 Hz<-> 12 VDC
Charger:	U.L. Listed
Car Adapter:	Lighter Type with 5-1/2' Cord
Tool Weight:	3 LBS.



READ ALL INSTRUCTIONS BEFORE USING THIS PRODUCT!

Warning: The warnings, cautions and instructions discussed in this instruction manual cannot cover all possible conditions and situations that may occur. It must be understood by the operator that **COMMON SENSE AND CAUTION ARE FACTORS WHICH CANNOT BE BUILT INTO THIS PRODUCT, BUT MUST BE SUPPLIED BY THE OPERATOR.**

The Operator

PLEASE REMEMBER:

Never look directly into the Spotlight.

Avoid touching the Lens as it may become hot during operation.

Do not disassemble the Battery or remove any parts from the Battery and surrounding connections.

Do not allow the Spotlight to be exposed to fire or high heat as this may result in an explosion.

Grounding/Voltage Warning

Common household current is 110-120 volts. As long as the outlet used with the tool is rated from 110-120V there will be no complications using it with household receptacles. Plug the tool into a 110-120V properly grounded outlet protected by a 15-amp, dual element time delay or circuit breaker.

NEVER try to plug a 110-120V tool into a 220-240V circuit or serious complications and possible injury to the operator may occur. The plugs have different shapes to prevent this.

Assembly

Your Spotlight comes completely assembled.

Operation

To assist you with operating your Spotlight please refer to Figure 1 on page 4 and to the Parts List and Assembly Diagram located on pages 4 and 5.

Charging

Your Spotlight Battery (#9) is rechargeable. To recharge your Battery (#9) your Spotlight comes with a Power Adapter (#13).

Step 1) Insert the cord end of the Power Adapter (#13) into the outlet on the back of the Spotlight. Plug the Power Adapter (#13) into the electrical outlet.

Step 2) The red light indicates the unit is properly plugged in. Leave the Power Adapter (#13) plugged in for approximately 12 to 14 hours until the Spotlight is fully charged. The red light will shut off automatically when the battery is fully charged. Recharging time is 8 to 10 hours. Always unplug the Power Adapter (#13) from the Spotlight after the Spotlight is charged. The Spotlight will not function properly if the Power Adapter is plugged into the Spotlight.

Note: Always recharge the Spotlight within a 24 hour period after each use.

Caution: Never completely discharge the battery. Deep battery discharge will decrease battery life.

The battery capacity will be reduced if the Spotlight is not used for 3 months. It is recommended that the battery be re-charged at least one time every 3 months.

Note: The battery should be charged before the first use.

Car Adapter

Your Spotlight comes with a Car Adapter (#14). To operate your Car Adapter follow the steps listed below.

Step 1) Insert the cord end of the Car Adapter (#14) into the outlet on the back of the Spotlight. Plug the plug end of the Car Adapter Car Adapter (#14) into your car's lighter -see Figure 1 on page 4. Leave the Car Adapter (#14) plugged in for approximately 9 to 12 hours until the Spotlight is fully charged. Recharging time is 5 to 8 hours.

Step 2) Always unplug the Car Adapter (#14) from the Spotlight after the Spotlight is charged. The Spotlight will not function properly if the Car Adapter is plugged into the Spotlight.

Note: When charging the Spotlight, only place the Spotlight on a non-flammable surface.

Tripod Adapter

Step 1) Your Spotlight can be screwed onto a tripod or workstand (neither is included). At the bottom of the Trigger Grip Handle there is Tripod Adapter (#6). Screw the tripod or workstand into this Tripod Adapter.

On/Off with Locking Trigger Hold

Your Spotlight is equipped with a Trigger Hold to allow you to have the Spotlight on while leaving your hands free for work.

Step 1) To turn on your Spotlight, press down on the Trigger (#11). Pressing down on the Trigger (#11) will engage the Locking Trigger Hold (#10)-see Figure 1. Note: Never leave Spotlight unattended with the Locking Trigger Hold left on.

Step 2) To release the Trigger Hold (#10), push in on the left side of the Locking Trigger Hold button (#10) -see Figure 1.

IF THERE IS ANY QUESTION ABOUT A CONDITION BEING SAFE OR UNSAFE, DO NOT OPERATE THE TOOL.



Figure 1
Unpacking

UNPACK AND CHECK CONTENTS

When unpacking your Spotlight-1,000,000 Candle Power check to make sure the following parts are included. If any parts are missing or broken, please call **HARBOR FREIGHT TOOLS** at **1-800-444-3353**.

Parts Listing

Part #	Description	Quantity	Part #	Description	Quantity
1	ABS Housing	1	8	Switch	1
2	Reflector Plastic	1	9	Battery	1
3	Bulb	1	10	Locking Trigger Hold	1
4	Glass	1	11	Trigger	1
5	Lamp Lid	1	12	Hanging Strap	1
6	Tripod Adapter	1	13	Power Adapter	1
7	Circuit Board	1	14	Car Adapter	1

Warning - Battery Disposal

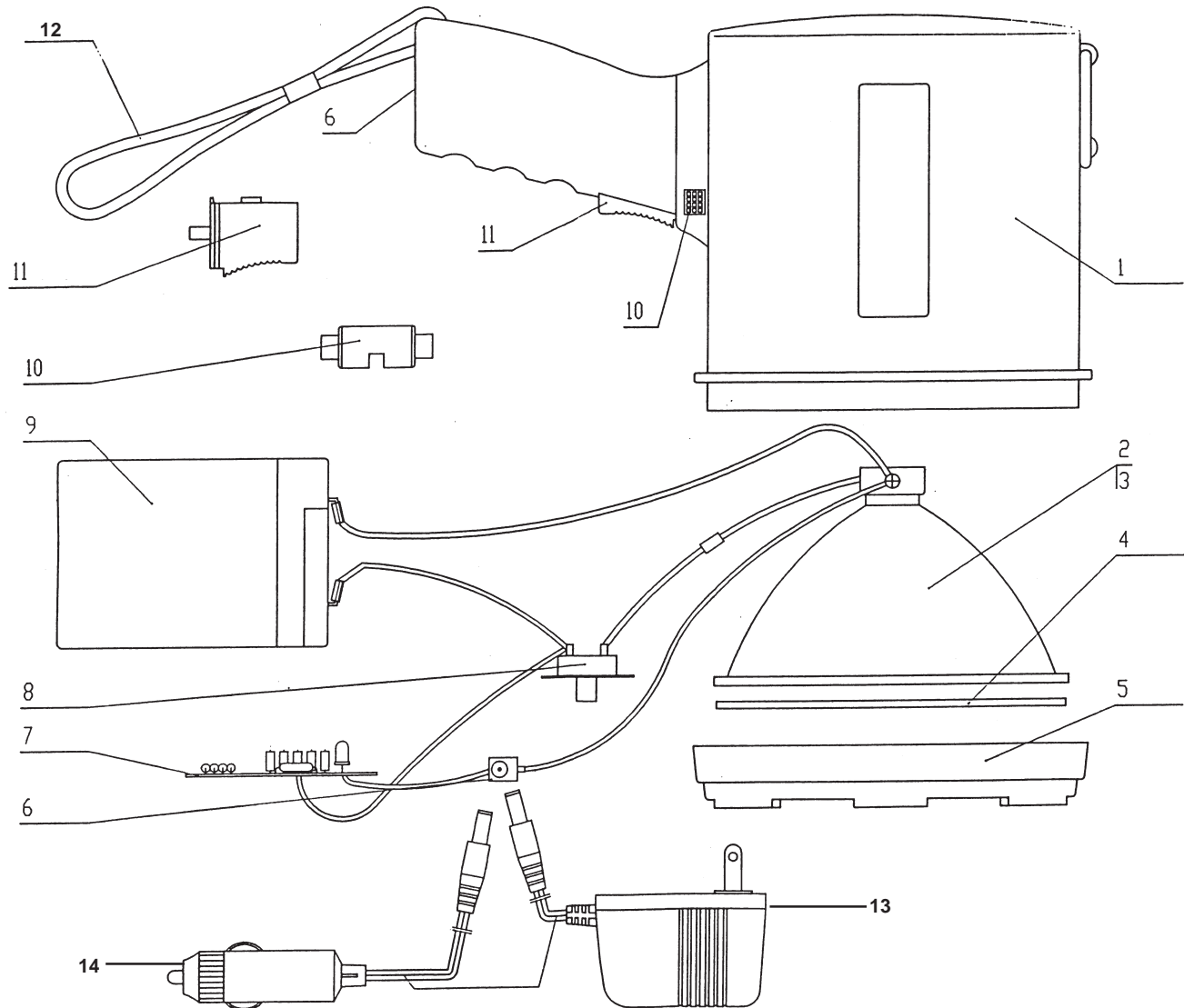
The Spotlight is powered by a battery which will have a long life span. When the battery is no longer functioning, it should be removed from the Spotlight and properly recycled. Many states require recycling. Contact your local solid waste authority for information on recycling.

Before disposing of the battery, wrap exposed terminals with heavy tape to prevent a shorting condition, which could cause fire and/or injury.

NEVER EXPOSE THE BATTERY TO HIGH HEAT OR FIRE; BATTERY MAY EXPLODE UNDER THESE CONDITIONS.

Assembly Diagram

Note: Some parts are listed and shown for illustration purposes only and are not available individually as replacement parts.



PLEASE READ THE FOLLOWING CAREFULLY

THE MANUFACTURER AND/OR DISTRIBUTOR HAS PROVIDED THE PARTS DIAGRAM IN THIS MANUAL AS A REFERENCE TOOL ONLY. NEITHER THE MANUFACTURER NOR DISTRIBUTOR MAKES ANY REPRESENTATION OR WARRANTY OF ANY KIND TO THE BUYER THAT HE OR SHE IS QUALIFIED TO MAKE ANY REPAIRS TO THE PRODUCT OR THAT HE OR SHE IS QUALIFIED TO REPLACE ANY PARTS OF THE PRODUCT. IN FACT, THE MANUFACTURER AND/OR DISTRIBUTOR EXPRESSLY STATES THAT ALL REPAIRS AND PARTS REPLACEMENTS SHOULD BE UNDERTAKEN BY CERTIFIED AND LICENSED TECHNICIANS AND NOT BY THE BUYER. THE BUYER ASSUMES ALL RISK AND LIABILITY ARISING OUT OF HIS OR HER REPAIRS TO THE ORIGINAL PRODUCT OR REPLACEMENT PARTS THERETO, OR ARISING OUT OF HIS OR HER INSTALLATION OF REPLACEMENT PARTS THERETO.

Free Manuals Download Website

<http://myh66.com>

<http://usermanuals.us>

<http://www.somanuals.com>

<http://www.4manuals.cc>

<http://www.manual-lib.com>

<http://www.404manual.com>

<http://www.luxmanual.com>

<http://aubethermostatmanual.com>

Golf course search by state

<http://golfingnear.com>

Email search by domain

<http://emailbydomain.com>

Auto manuals search

<http://auto.somanuals.com>

TV manuals search

<http://tv.somanuals.com>