

Refrigerator  
מקרר

**KQD 1360X**

**Instruction manual**

**Blomberg**

Download from [Www.Somanuals.com](http://Www.Somanuals.com). All Manuals Search And Download.

## Please read this manual first!

Dear Customer,

We hope that your product, which has been produced in modern plants and checked under the most meticulous quality control procedures, will provide you an effective service.

For this, we recommend you to carefully read the entire manual of your product before using it and keep it at hand for future references.




## This manual

- Will help you use your appliance in a fast and safe way.
- Read the manual before installing and operating your product.
- Follow the instructions, especially those for safety.
- Keep the manual in an easily accessible place as you may need it later.
- Besides, read also the other documents provided with your product.

Please note that this manual may be valid for other models as well.

## Symbols and their descriptions

This instruction manual contains the following symbols:

-  Important information or useful usage tips.
-  Warning against dangerous conditions for life and property.
-  Warning against electric voltage.



This product bears the selective sorting symbol for waste electrical and electronic equipment (WEEE).

This means that this product must be handled pursuant to European Directive 2002/96/EC in order to be recycled or dismantled to minimise its impact on the environment. For further information, please contact your local or regional authorities.

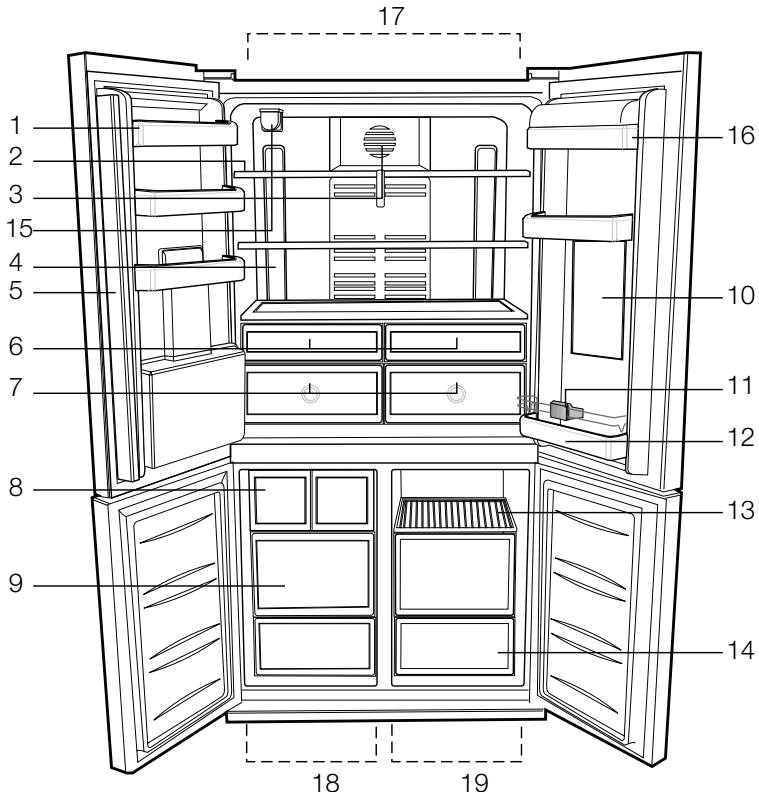
Electronic products not included in the selective sorting process are potentially dangerous for the environment and human health due to the presence of hazardous substances.

## CONTENTS

---

<b>1 The refrigerator</b>	<b>4</b>	<b>4 Preparation</b>	<b>17</b>
<b>2 Important Safety Warnings</b>	<b>5</b>	<b>5 Using your refrigerator</b>	<b>18</b>
Intended use .....	5	Indicator Panel.....	18
General safety .....	5	Door Open Alarm: .....	21
Child safety.....	7	Things to do to have the filter usage time calculated automatically .....	22
HCA Warning .....	7	Sliding Body Shelves .....	23
Things to be done for .....	7	Egg tray.....	23
energy saving .....	7	Crisper .....	23
<b>3 Installation</b>	<b>8</b>	Chiller compartment .....	23
Points to be considered when re- transporting your refrigerator .....	8	Movable Middle Section .....	24
Before operating your refrigerator .....	8	Flexi Zone Storage Compartment ..	24
Electric connection .....	8	Blue light .....	24
Disposing of the packaging .....	9	Sliding Body Shelves With Rear Hangers .....	25
Disposing of your old refrigerator .....	9	Butter & Cheese Section .....	25
Placing and Installation .....	9	Using the water spring.....	25
Floor balance adjustment .....	10	Spillage Tray .....	25
Adjusting the gap between the upper door .....	10	Minibar .....	26
Installing Water Filter .....	12	<b>6 Cleaning and care</b>	<b>27</b>
Connection of the Water Pipe to the Refrigerator .....	12	Protection of plastic surfaces .....	27
Connection of Water Hose to the Jug .....	13	<b>7 Recommended solutions for the problems</b>	<b>28</b>
Connection of the Water Pipe to the Cold Water Mains Line .....	14		
Prior to first use of Water Dispenser.	16		

# 1 The refrigerator



- |                                     |                                      |
|-------------------------------------|--------------------------------------|
| 1- Fridge compartment door shelves  | 11- Bottle holder                    |
| 2- Fridge compartment glass shelves | 12- Bottle shelf                     |
| 3- Diffuser cover                   | 13- Food storage compartment shelves |
| 4- Illumination lens                | 14- Food storage compartments        |
| 5- Movable middle section           | 15- Water Filter                     |
| 6- Chiller compartment              | 16- Butter & Cheese shelf            |
| 7- Crisper                          | 17- Fridge compartment               |
| 8- Icematic                         | 18- Freezer compartment              |
| 9- Frozen food storage compartments | 19- Flexi Zone                       |
| 10- Minibar                         |                                      |

**ⓘ** Figures that take place in this instruction manual are schematic and may not correspond exactly with your product. If the subject parts are not included in the product you have purchased, then it is valid for other models.

## 2 Important Safety Warnings

---

• Please review the following information. If these are not followed, personal injury or material damage may occur. Otherwise, all warranty and reliability commitments will become invalid.

The usage life of the unit you purchased is 10 years. This is the period for keeping the spare parts required for the unit to operate as described.

### Intended use

- This product is designed for domestic use.
- It should not be used outdoors. It is not appropriate to use it outdoor even if the place is covered with a roof.

### General safety

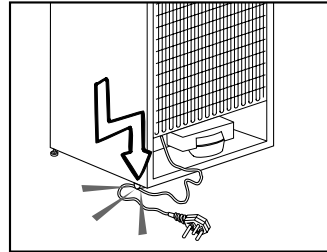
When you want to dispose/scrap the product, we recommend you to consult the authorized service in order to learn the required information and authorized bodies.

- Consult your authorized service for all your questions and problems related to the refrigerator. Do not intervene or let someone intervene to the refrigerator without notifying the authorised services.
- Do not eat cone ice cream and ice cubes immediately after you take them out of the freezer compartment! (This may cause frostbite in your mouth.)
- Do not put bottled and canned liquid beverages in the freezer compartment. Otherwise, these may burst.
- Do not touch frozen food by hand; they may stick to your hand.
- Vapor and vaporized cleaning materials should never be used in cleaning and defrosting processes of your refrigerator. In such cases, the vapor might get in contact with the electrical parts and cause short circuit or electric shock.

- Never use the parts on your refrigerator such as the door and drawer as a means of support or step. You may cause the product to tip over or parts of it get damaged.
- Do not use electrical devices inside the refrigerator.
- Do not damage the cooling circuit, where the refrigerant is circulating, with drilling or cutting tools. The refrigerant that might blow out when the gas channels of the evaporator, pipe extensions or surface coatings are punctured may cause skin irritations and eye injuries.
- Do not cover or block the ventilation holes on your refrigerator with any material.
- Repairs of the electrical products must only be made by qualified persons. Repairs performed by incompetent persons may create a risk for the user.
- In case of any failure or during a maintenance or repair work, disconnect your refrigerator's mains supply by either turning off the relevant fuse or unplugging your appliance.
- Do not pull by the cable when pulling off the plug.
- Place the beverage with higher proofs tightly closed and vertically.
- Flammable items or products that contain flammable gases (e.g. spray) as well as the explosive materials should never be kept in the product.

- Do not use mechanical devices or other means to accelerate the defrosting process, others than those recommended by the manufacturer.
- This appliance is not intended for use by persons (including children) with reduced physical, sensory or mental capabilities, or lack of experience and knowledge, unless they have been given supervision or instruction concerning use of the appliance by a person responsible for their safety.
- Do not operate a damaged refrigerator. Consult your service if you have any doubts.
- Electrical safety of your refrigerator shall be guaranteed only if the earth system in your house complies with standards.
- Exposing the product to rain, snow, sun and wind is dangerous with respect to electrical safety.
- If there is any problem with the power cable or the plug, they must be replaced by the authorised service in order to avoid any accidents.
- Never plug the refrigerator into the wall outlet during installation. Otherwise, risk of death or serious injury may arise.
- Intended use of the product is to preserve foods; it should never be used for other purposes.
- Rating plate containing product's technical specifications is in the inner left part of the product.
- Connecting the product to electric energy saving systems is risky as it may cause damage on the product.
- If your product is equipped with blue light, the light should not be looked into by optical appliances.

- In products with mechanical control (thermostat), wait for 5 min. to re-plug the product if it is unplugged.
- This operation manual should be handed in to the new owner of the product when it is given to others.



- Power cable and plug should not be damaged when moving the refrigerator. To avoid risk of fire, the cable should not be kinked or put under heavy things. Do not touch the plug with wet hands when plugging the product.
- The product should not be plugged if the receptacle is loose.
- Water should not be sprayed directly on inner or outer parts of the product for safety purposes.
- Flammable pressurized sprays should not be sprayed near the product to avoid risk of fire or explosion.
- Containers with liquid inside should not be placed on top of the product. Spilling water on an electrical component may cause electric shocks or risk of fire.
- Foods more than the capacity of the product should not be kept in the product. It may fall when the door is opened and cause injury or damage. Similar problems may occur in case of putting things on the product.
- Products that need a precise temperature control (vaccines, heat-sensitive medicine, scientific materials, etc.) should not be kept in the refrigerator.

- Refrigerator should be disconnected if it is not going to be used for a long time. Any problem in the cable insulation may cause fire.
- Dirt and dusts on tip of the electric plug must be cleaned, otherwise, they may cause risk of fire.
- The product may move when level adjustment feet of the product do not stand on the floor well.
- If your product has a door handle, the product must not be pulled by the handle, because the handle may be forced out.
- Care should be paid as there is risk of squeezing hands or feet between the movable parts inside the product.

### **Child safety**

- If the door has a lock, the key should be kept away from reach of children.
- Children should be supervised to ensure that they do not play with the appliance

### **HCA Warning**

#### **If your product is equipped with a cooling system that contains R600a:**

- This gas is flammable. Therefore, pay attention to not damaging the cooling system and piping during usage and transportation. In the event of damage, keep your product away from potential fire sources that can cause the product catch a fire and ventilate the room in which the unit is placed.

#### **Ignore the warning if your product is equipped with a cooling system that contains R134a.**

You can see the gas used in production of your product on the rating plate that is located on the left inner part of it.

**Never dispose the product in fire.**

### **Things to be done for energy saving**

- Do not leave the doors of your refrigerator open for a long time.
- Do not put hot food or drinks in your refrigerator.
- Do not overload your refrigerator so that the air circulation inside of it is not prevented.
- Do not install your refrigerator under direct sunlight or near heat emitting appliances such as ovens, dishwashers or radiators.
- Pay attention to keep your food in closed containers.
- Maximum amount of food can be put in your refrigerator's freezer compartment when the freezer compartment shelf or drawer is removed. Declared energy consumption value of your refrigerator was determined when the freezer compartment shelf or drawer was removed and under maximum amount of food load. There is no risk in using a shelf or drawer according to the shapes and sizes of the foods to be frozen.

### 3 Installation

- ⓘ** Please remember that the manufacturer shall not be held liable if the information given in the instruction manual is not observed.

#### Points to be considered when re-transporting your refrigerator

1. Your refrigerator must be emptied and cleaned prior to any transportation.
2. Shelves, accessories, crisper and etc. in your refrigerator must be fastened securely by adhesive tape against any jolt before repackaging.
3. Packaging must be tied with thick tapes and strong ropes and the rules of transportation printed on the package must be followed.

#### **ⓘ Always remember...**

Every recycled material is an indispensable source for the nature and for our national resources.

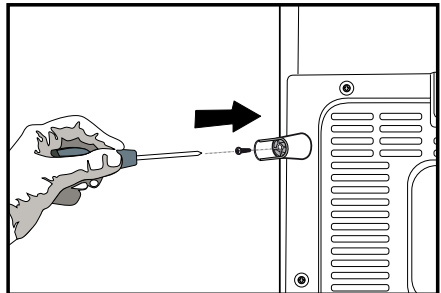
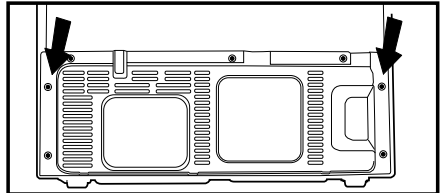
If you wish to contribute to recycling the packaging materials, you can get further information from the environmental bodies or local authorities.

#### Before operating your refrigerator

Before starting to use your refrigerator check the following:

1. Is the interior of the refrigerator dry and can the air circulate freely in the rear of it?
2. Insert the 2 plastic wedges onto the rear ventilation cover as illustrated in the following figure. To do this, remove the screws on the product and use the screws given in the same pouch.

Plastic wedges will provide the required distance between your refrigerator and the wall in order to allow the air circulation.



3. Clean the interior of the refrigerator as recommended in the "Maintenance and cleaning" section.
4. Plug the refrigerator into the wall outlet. When the door is open the respective interior light will come on.
5. You will hear a noise as the compressor starts up. The liquid and gases sealed within the refrigeration system may also give rise to noise, even if the compressor is not running and this is quite normal.
6. Front edges of the refrigerator may feel warm. This is normal. These areas are designed to be warm to avoid condensation.



## Electric connection

Connect your refrigerator to a grounded socket which is being protected by a fuse with the appropriate capacity.

Important:

- ⚠ The connection must be in compliance with national regulations.
- ⚠ The power cable plug must be easily accessible after installation.
- ⚠ Voltage and allowable fuse protection are specified in the "Technical Specifications" section.
- ⚠ The specified voltage must be equal to your mains voltage.
- ⚠ Extension cables and multiway plugs must not be used for connection.
- ⚠ A damaged power cable must be replaced by a qualified electrician.
- ⚠ The appliance must not be operated before it is repaired! There is danger of electric shock!

## Disposing of the packaging

- ⚠ The packing materials may be dangerous for children. Keep the packing materials out of the reach of children or dispose them of by classifying them in accordance with the waste instructions. Do not dispose them of along with the normal household waste.

The packing of your refrigerator is produced from recyclable materials.

## Disposing of your old refrigerator

Dispose of your old machine without giving any harm to the environment.

- ⚠ You may consult your authorized dealer or waste collection center of your municipality about the disposal of your refrigerator.
- ⚠ Before disposing of your refrigerator,

cut out the electric plug and, if there are any locks on the door, make them inoperable in order to protect children against any danger.

## Placing and Installation

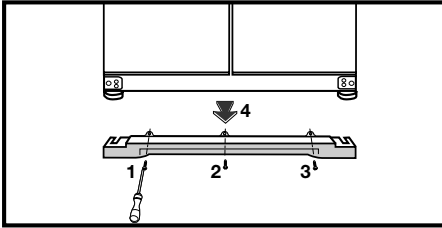
⚠ Caution: Never plug the refrigerator into the wall outlet during installation. Otherwise, risk of death or serious injury may arise.

⚠ If the entrance door of the room where the refrigerator will be installed is not wide enough for the refrigerator to pass through, than call the authorised service to have them remove the doors of your refrigerator and pass it sideways through the door.

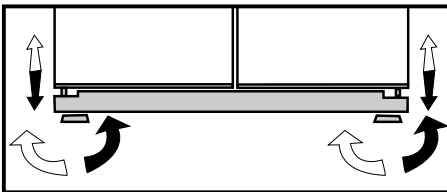
1. Install your refrigerator to a place that allows ease of use.
2. Keep your refrigerator away from heat sources, humid places and direct sunlight.
3. There must be appropriate air ventilation around your refrigerator in order to achieve an efficient operation. If the refrigerator is to be placed in a recess in the wall, there must be at least 5 cm distance with the ceiling and at least 5 cm with the wall. If the floor is covered with a carpet, your product must be elevated 2.5 cm from the floor.
4. Place your refrigerator on an even floor surface to prevent jolts.
5. Do not keep your refrigerator in ambient temperatures under 10°C.

## Floor balance adjustment

⚠ If your refrigerator is unbalanced;  
⚠ First unplug the product. The product must be unplugged when making the balance adjustment. There is the risk of electric shock.



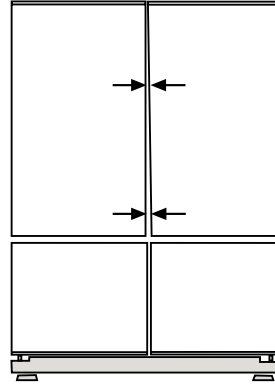
1- Ventilation cover is removed by unscrewing its screws as illustrated in the figure before the procedure. You can balance your refrigerator by turning the front legs of it as illustrated in the figure. The corner where the leg exists is lowered when you turn in the direction of black arrow and raised when you turn in the opposite direction. Taking help from someone to slightly lift the refrigerator will facilitate this process.



2. After the balance issue is remedied, install back the ventilation cover and fasten the screws.

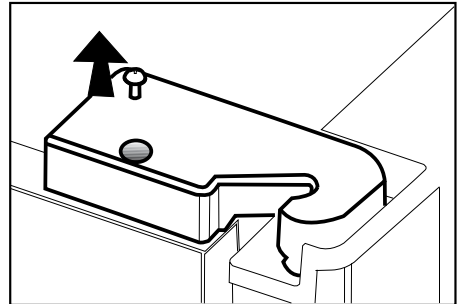
3. Remove the screws fastening the lower ventilation cover using a Phillips screwdriver.

## Adjusting the gap between the upper door

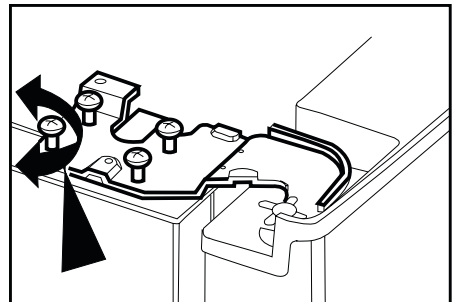


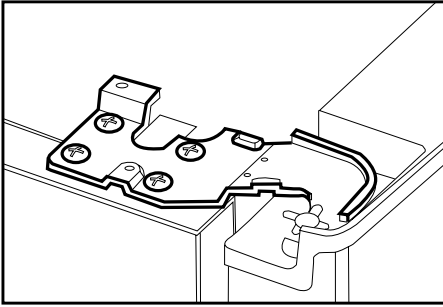
**i** You can adjust the gap between the fridge compartment doors as illustrated in the figures.

Door shelves should be empty when adjusting the door height.

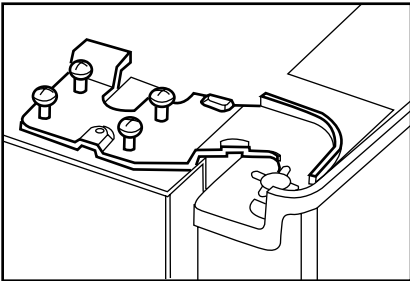


**i** Using a screwdriver, remove the screw of upper hinge cover of the door you want to adjust.

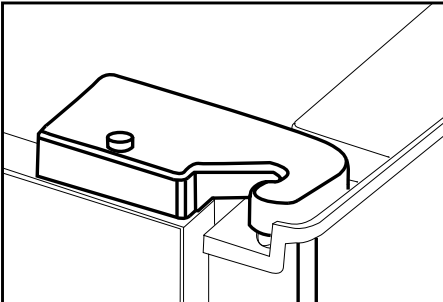




**i** Adjust the door appropriately as you desire by loosening the screws.



**i** Fix the door you have adjusted by tightening the screws without changing the position of the door.



**i** Replace the hinge cover and fix with the screw.

## Installing Water Filter

(in some models)

**Two different water sources may be connected to the refrigerator for water supply: the mains cold water supply and water in a jug.**

### Installation Requirements

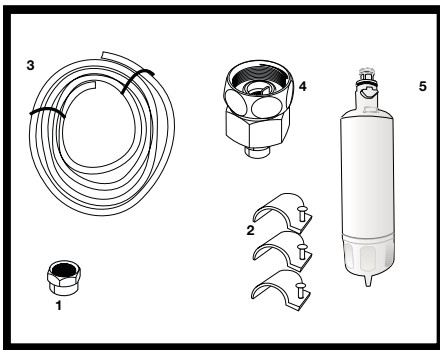
A pump should be used for jug water usage.

Check that the parts stated below are supplied with your appliance.

1. Union for connection of the water pipe to the rear of the appliance. (If it does not fit, provide it from the nearest authorized service.)
2. 2 pieces of pipe clips (In case required to secure the water pipe)

Note: Since the following parts are not required in use with a jug, they may not be found in the product you purchased.

3. 5-meter long water pipe (1/4 inch in diameter)
4. Cold mains water valve with mesh filter (Tap Adapter)
5. Water Filter or externally connectable filter to be fitted to the bracket inside the fridge compartment.



Place where the external filter is going to be fitted should be determined first.

(Applies to the filter being used outside the refrigerator.) Then, determine the distance between the filter and the refrigerator and required hose lengths from the filter to the refrigerator water inlet.

Water filter must be held upright as shown in the figure. It is important to properly attach the filter to water inlet and water outlet ports.

After attaching the filter, do not use first 3-4 glasses of water.

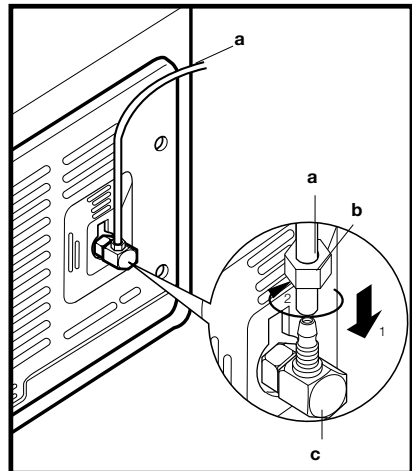
### Connection of the Water Pipe to the Refrigerator

1. After installing the union onto the water pipe, insert the water pipe to the refrigerator inlet valve by pressing downwards firmly.

2. Fix union as seen in the opposite figure, by squeezing by hand on the refrigerator inlet valve.

(a- Water Pipe, b-Union, c-Valve)

**i** Note 1: You should not need to tighten the union with a tool to achieve water tight assembly. In case of a leak use a spanner or a pair of pliers to tighten the union.

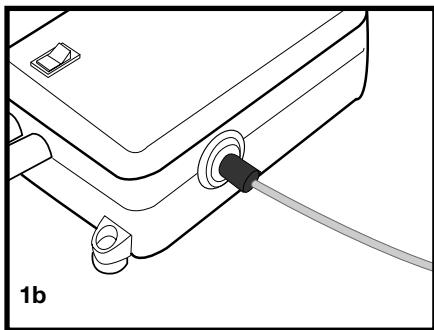
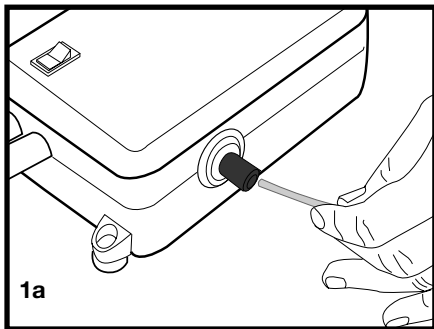


## Connection of Water Hose to the Jug

### (in some models)

To connect water to the refrigerator from a jug, a pump is needed. Follow the instructions below after connecting one end of the water pipe coming out of the pump to the refrigerator as described on the previous page.

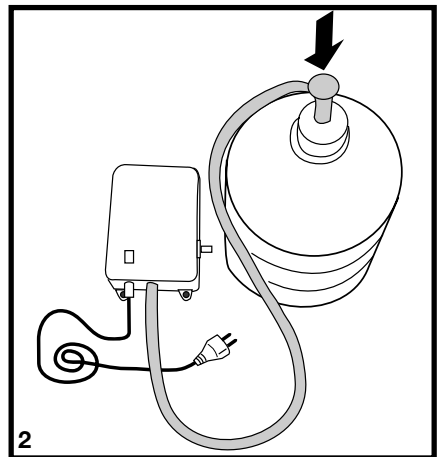
1. Finish the connection by pushing the other end of the water pipe into the water pipe inlet of the pump as shown in the figure.



2. Put and fix the pump hose into the jug as shown in the figure.
3. After completing the connection, plug in and run the pump.

To provide an efficient operation of the pump, wait for 2-3 minutes after starting the pump.

- i** You may refer to the user manual of the pump while making the water connection.
- i** There is no need to use water filter in case a jug is used.
- i** Pump must be used when jug will be used.



## Connection of the Water Pipe to the Cold Water Mains Line

### (in some models)

If you want to use your refrigerator by connecting it to the cold water mains line,

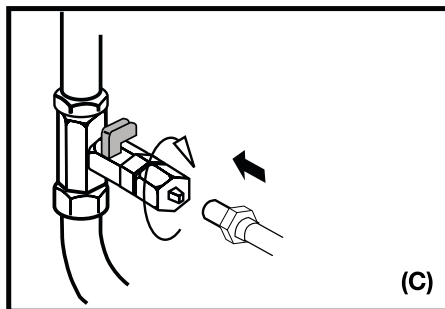
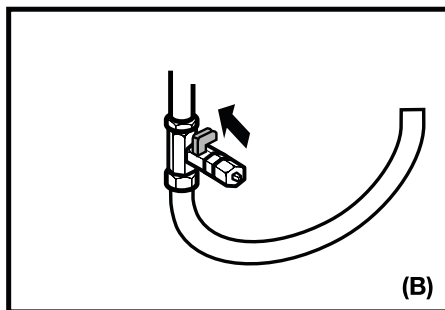
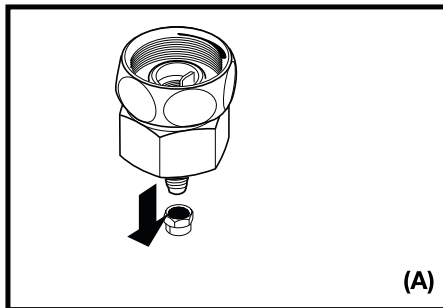
you will have to connect a standard 1/2" valve connection fitting to the cold water supply in your house. In case this valve is not present or in case you are not sure, consult a qualified plumber.

1. Separate the union from the tap adaptor. (Figure A)
2. Install the tap adaptor to 1/2" valve fitting as shown in the figure. (Figure B)
3. After inserting the water pipe to the union, install it to the tap adaptor and insert to the tap as shown in the figure. (Figure C)
4. Tighten the union manually. In case of a leak use a spanner or a pair of pliers to tighten the union.

**⚠ Caution:** Secure the water pipe to suitable points by means of the pipe clips supplied to avoid any damage or displacement or accidental disconnection.

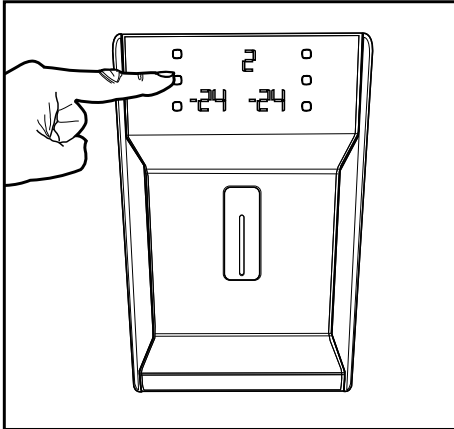
**⚠ Caution:** After turning on the water valve, make sure that there is no leakage at both connection points of the water pipe. In case of a leak, turn off the valve immediately and tighten all joints again using a spanner or a pair of pliers.

**⚠ Caution:** Make sure that standard 1/2" valve fitting fed by cold mains water supply is available and is turned off fully.

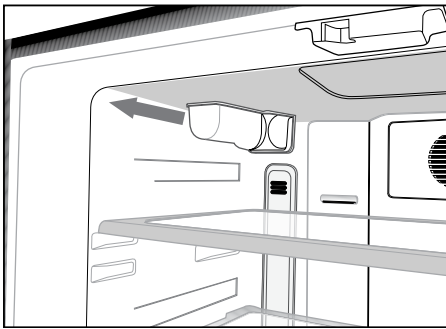


To fit the water filter follow the instructions below referring to figures supplied:

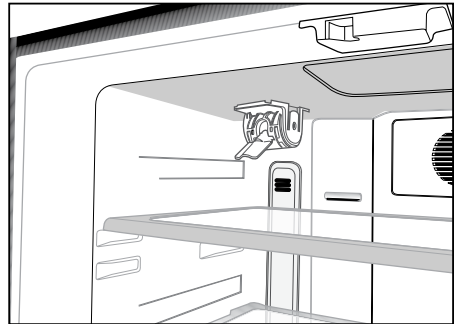
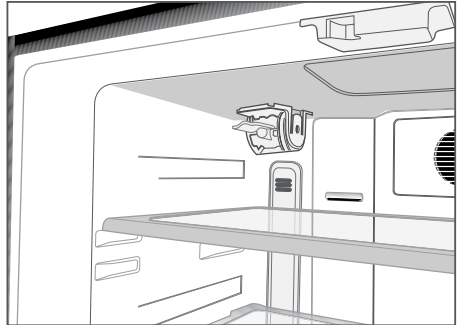
1. Press ice cancel button on the display.



2. Remove the filter cover in the fridge compartment by pulling it forward.



3. Take out the water filter by-pass cover by rotating it downwards.



**⚠ Caution:** Make sure that the “Ice off” mode is active before taking out the by-pass cover.

Note: It is normal that a few drops of water drip after the cover has been taken out.

4. Remove the lid on top of the water filter to place it as shown in the figure and turn upwards to lock it.
5. Press ice cancel button on the display again to exit from this mode.

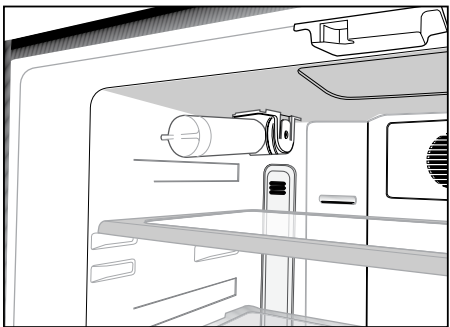
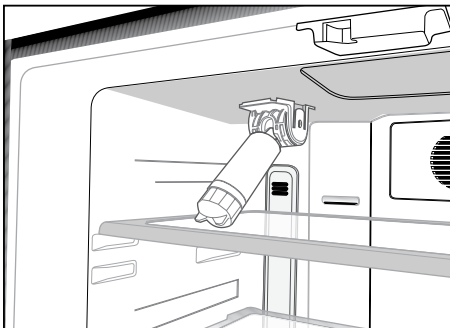
Water filter should be replaced every 6 months.

If you want to have the filter change time calculated automatically and receive a warning at the end of usage time, please read "Calculating the Filter Usage Time Automatically" section.

The water filter must be removed as shown in the figure when it is going to be replaced or when it will no longer be used and by-pass cover must be attached. It must be made sure that Ice Off mode is active before taking it out.

**⚠ Caution:** Water filter cleans some foreign particles in the water. It does not purify water from microorganisms.

**⚠ Caution:** Ice Off button must always be pressed during replacement of the water filter or installing the by-pass cover.



## Prior to first use of Water Dispenser

- i** Water mains pressure must not be below 1 bar.
- i** Water mains pressure must not be above 8 bars.
- i** Pumps must be used in case the supply water pressure drops below 1 bar or if a jug is going to be used.
- i** Water system of the refrigerator must be connected to the cold water line. It must not be connected to hot water line.
- i** No water may be obtained in the initial operation of the refrigerator. This is caused by the air in the system. To discharge air from the system, press Dispenser latch for periods of 1 minute until water comes from the Dispenser. Water flow may be irregular in the beginning. Irregular water flow will be normalized after the air in the system is discharged.
- i** At the initial startup of the refrigerator approx. 12 hours must pass before cold water can be obtained.
- i** Water mains pressure must be between 1-8 bars for the operation of Ice/Water Dispenser smoothly. For this, check that 1 glass of water (100 cc) can be filled in 10 seconds.
- i** The first 10 glasses of water should not be consumed.
- i** Approximately the first 30 cubes of ice to be obtained from the Ice Dispenser must not be used.
- i** Always use the water filter when a jug is not being used.



## 4 Preparation

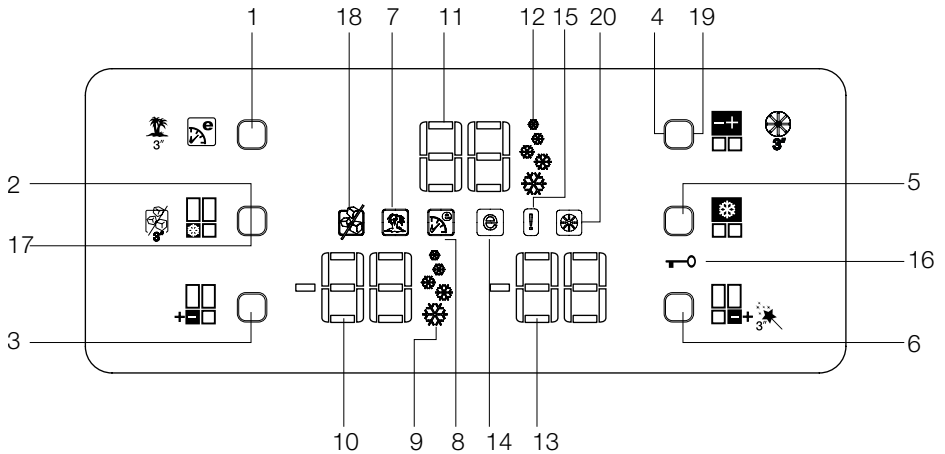
---

- i** Your refrigerator should be installed at least 30 cm away from heat sources such as hobs, ovens, central heater and stoves and at least 5 cm away from electrical ovens and should not be located under direct sunlight.
- i** The ambient temperature of the room where you install your refrigerator should at least be 10°C. Operating your refrigerator under cooler conditions than this is not recommended with regard to its efficiency.
- i** Please make sure that the interior of your refrigerator is cleaned thoroughly.
- i** If two refrigerators are to be installed side by side, there should be at least 2 cm distance between them.
- i** When you operate your refrigerator for the first time, please observe the following instructions during the initial six hours.
  - The door should not be opened frequently.
  - It must be operated empty without any food in it.
  - Do not unplug your refrigerator. If a power failure occurs out of your control, please see the warnings in the “Recommended solutions for the problems” section.
- i** Original packaging and foam materials should be kept for future transportations or moving.

## 5 Using your refrigerator

### Indicator Panel

This touch-control indicator panel allows you to set the temperature without opening the door of your refrigerator. Just touch the relevant button with your finger to set the temperature.



1. Eco Extra/Vacation Button
2. Fast Freeze Button
3. Freezer Compartment Temperature Setting Button
4. Fridge Compartment Temperature Setting Button
5. Quick Cool Button
6. Flexi Zone Compartment Temperature Setting Button
7. Vacation Function Indicator
8. Eco Extra Function Indicator
9. Quick Freeze Function Indicator
10. Freezer Compartment Temperature Indicator
11. Fridge Compartment Temperature Indicator
12. Quick Cool Function Indicator
13. Flexi Zone Storage Compartment Temperature Indicator
14. Economy Mode Indicator
15. Error Status Indicator
16. Key Lock Indicator
17. Ice Cancel Button
18. Ice Off indicator
19. Cancel Filter Change Warning Button
20. Filter Change Warning Indicator

### **1. Eco Extra/Vacation Button**

Press this button briefly to activate the Eco Extra function. Press and hold this button for 3 sec. to activate the Vacation function. Press this button again to deactivate the selected function.

### **2. Fast Freeze Button**

Press this button briefly to activate the Fast Freeze function. Press this button again to deactivate the selected function.

### **3. Freezer Compartment Temperature Setting Button**

Press this button to set the temperature of the freezer compartment to -18, -20, -22, -24, -18... respectively. Press this button to set the desired temperature for the Freezer Compartment.

### **4. Fridge Compartment Temperature Setting Button**

Press this button to set the temperature of the fridge compartment to 8, 6, 4, 2, 8... respectively. Press this button to set the desired temperature for the Fridge Compartment.

### **5. Quick Cool Button**

Press this button briefly to activate the Quick Cool function. Press this button again to deactivate the selected function.

### **6. Flexi Zone Compartment Temperature Setting Button**

You can set the Flexi Zone Compartment either as a Freezer or a Cooler.

Press and hold this button for a long time (3 sec) to set the Flexi Zone Compartment as a Freezer or a Cooler. This compartment is set as a Freezer Compartment at factory.

If the Flexi Zone Compartment is set as a Freezer, then the temperature of the Flexi Zone Compartment will change as -18, -20, -22, -24, -18... respectively each time you press this button. If the Flexi Zone Compartment is set as a Fridge, then the temperature of the Flexi Zone Compartment will change as 10, 8, 6, 4, 2, 0, -6, ... respectively each time you press this button.

### **7. Vacation Function Indicator**

Indicates that the vacation function is active. If this function is active, "- -" appears on the indicator of the fridge compartment and no cooling is performed in the fridge compartment. Other compartments will be cooled in accordance with the temperature set for them.

Press the relevant button again to deactivate this function.

### **8. Eco Extra Function Indicator**

It indicates that the Eco-Extra function is active. If this function is active, your refrigerator will automatically detect the least usage periods and energy-efficient cooling will be performed during those times. Economy indicator will be active while energy-efficient cooling is performed.

Press the relevant button again to deactivate this function.

### **9. Quick Freeze Function Indicator**

It indicates that the Fast Freeze function is active. Use this function when you place fresh food into the freezer compartment or when you need ice. When this function is active, your refrigerator will run for a certain period of time.

Press the relevant button again to deactivate this function.

### **10. Freezer Compartment Temperature Indicator**

It indicates the temperature set for Freezer Compartment.

### **11. Fridge Compartment Temperature Indicator**

Indicates the temperature set for Fridge Compartment.

### **12. Quick Cool Function Indicator**

Indicates that the Quick Cool function is active. Use this function when you place fresh food into the fridge compartment or when you need to cool your food quickly. When this function is active, your refrigerator will run for 2 hours without stopping.

Press the relevant button again to deactivate this function.

### **13. Flexi Zone Storage Compartment Temperature Indicator**

It indicates the temperature set for Flexi Zone compartment.

### **14. Economy Mode Indicator**

Indicates that the refrigerator is running in energy-efficient mode. Freezer Compartment temperature

This indicator will be active if the function is set to -18 or the energy efficient cooling is being performed due to Eco-Extra function.

### **15. Error Status Indicator**

If your refrigerator does not cool adequately or if there is a sensor failure, this indicator will be activated. When this indicator is active, Freezer Compartment Temperature indicator will display "E" and Fridge Compartment Temperature Indicator will display numbers such as "1,2,3...". These numbers on the indicator provides information about the error to the service personnel.

### **16. Key Lock Indicator**

Use this function if you do not want your refrigerator temperature setting changed. Press Quick Cool Button and Flexi Zone Compartment Temperature Setting Button simultaneously for a long time (3 sec) to activate this feature.

Press the relevant buttons again to deactivate this function.

### **17. Ice Cancel Button**

To stop ice formation, ice cancel button is pressed for 3 seconds. When ice cancel is selected, no water will be sent to the ice box. Despite this, some ice may be leftover in the ice box which may be taken from there. To restart ice formation, ice cancel button has to be pressed for 3 seconds.

## **18. Ice Cancel Indicator**

If you do not want to get ice from the refrigerator, you need to use this function. You may use this function by pressing the ice cancel button for 3 seconds.

## **19. Cancel Filter Change Warning Button**

Filter of your refrigerator must be replaced every 6 months. Your refrigerator calculates this time automatically and the filter change warning indicator illuminates when the filter usage time has elapsed. Press Cancel filter change warning button for 3 seconds to allow the refrigerator to calculate the new filter time automatically after changing the filter.

## **20. Cancel Filter Change Warning Indicator**

When the filter usage time has elapsed, filter change warning indicator starts to illuminate.

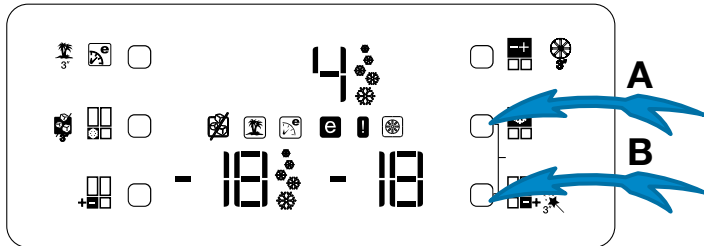
## **Door Open Alarm:**

In case of leaving any of the Fridge Compartment or Flexi Zone Compartment doors open minimum for 1 minute, audible Door Open Alarm will be activated and heard. Just press any button on the indicator or close the open door to silence the alarm.

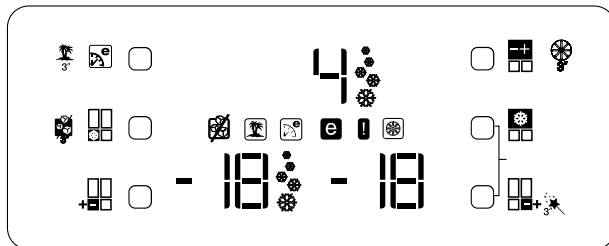
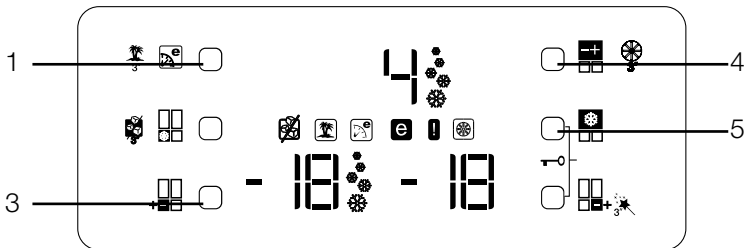
# Things to do to have the filter usage time calculated automatically

(For products connected to the mains water line and equipped with filter)

1- After plugging the refrigerator in, press A and B buttons together to activate the key lock.



2- Then press Eco-Extra (1), Fridge Compartment Temperature Setting (4), Quick Cool (5) and Freezer Compartment Temperature Setting (3) buttons respectively.



If button configuration is pressed in the correct order, key lock symbol will go off, buzzer will be activated shortly, and Filter change warning indicator illuminates. Press cancel filter change warning button (Item 19 in display descriptions) after changing the filter to have the filter usage time calculated automatically.

**ⓘ** If the filter usage time is being calculated automatically, filter change warning indicator will illuminate in a few seconds after the product is plugged in.

**ⓘ Automatic filter usage time calculation is not active ex factory. It must be activated in products equipped with a filter.**

**ⓘ Repeat the same procedure in products whose automatic filter usage time calculation is activated in order to deactivate the filter usage time calculation.**

## Egg tray

You can install the egg holder to the desired door or body shelf.

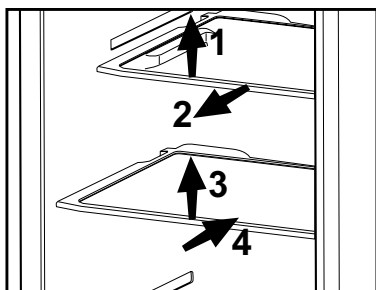
Never store the egg holder in the freezer compartment

## Sliding Body Shelves

Sliding body shelves can be pulled by slightly lifting up from the front and moved back and forth. They come to a stop point when pulled towards front to allow you reach the foods placed at the back of the shelf; when it is pulled after slightly lifted upwards at the second stop point, the body shelf will be released.

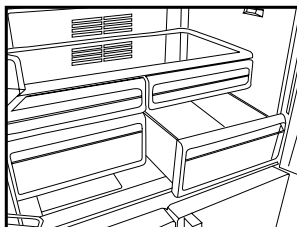
The shelf should be hold tightly from the bottom as well in order to prevent it from tipping over. The body shelf is placed on the rails at the sides of the refrigerator body by bringing it to one lower or one upper level.

The body shelf should be pushed backwards to seat it completely.



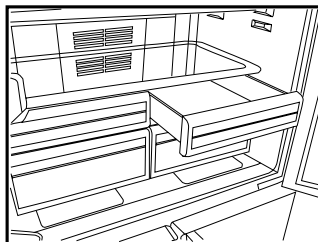
## Crisper

Crisper of your refrigerator is designed specially to keep your vegetables freshly without losing their humidity. For this purpose, cool air circulation occurs around the crisper in general. Remove the door shelves that align with the crisper before removing the crispers. You can remove the crispers as illustrated in the figure.



## Chiller compartment

Chiller compartments enable the foods to be frozen become ready for freezing. You can also use these compartments to store your food at a temperature a few degrees below the fridge compartment. You can increase the inner volume of your refrigerator by removing any of the chiller compartments. To do this, pull the compartment towards yourself; the compartment will lean against the stopper and stop. This compartment will be released when you lift it about 1 cm and pull it towards yourself.



## Movable Middle Section

Movable middle section is intended to prevent the cold air inside your refrigerator from escaping outside.

1- Sealing is provided when the gaskets on the door presses on the surface of the movable middle section while the fridge compartment doors are closed.

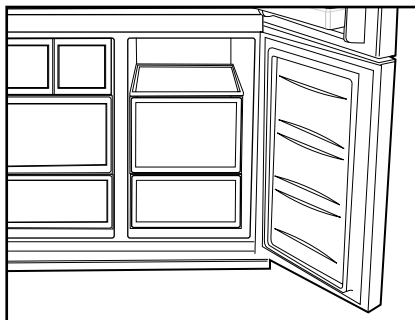
2- Another reason that your refrigerator is equipped with a movable middle section is that it increases the net volume of the fridge compartment. Standard middle sections occupy some non-usable volume in the refrigerator.

3- Movable middle section is closed when the left door of the fridge compartment is closed.

4- It must not be opened manually. It moves under the guidance of the plastic part on the body while the door is closed.

## Flexi Zone Storage Compartment

The Flexi Zone Storage Compartment of your refrigerator may be used in any desired mode by adjusting it to fridge (2/4/6/8 °C) or freezer (-18/-20/-22/-24) temperatures. You can keep the compartment in the desired temperature with the Flexi Zone Storage Compartment Temperature Setting Button. The temperature of the Flexi Zone Storage Compartment may be set to 0 and 10 degrees in addition to the fridge compartment temperatures and to -6 degrees in addition to the freezer compartment temperatures. 0 degree is used to store the deli products longer, and -6 degrees is used to keep the meats up to 2 weeks in an easily cuttable condition.



**i** The feature of switching to a Fridge or Freezer compartment is provided by a cooling element located in the closed section (Compressor Compartment) behind the refrigerator. During operation of this element, sounds similar to the sound of seconds heard from an analog clock may be heard. This is normal and is not fault cause.

## Blue light

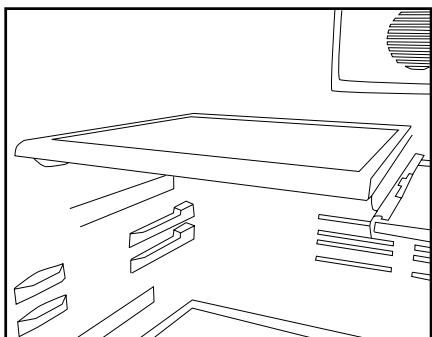
Foodstuff stored in the crispers that are enlightened with a blue light continue their photosynthesis by means of the wavelength effect of blue light and thus, preserve their freshness and increase their vitamin content.





## Sliding Body Shelves With Rear Hangers

Sliding body shelves with rear hangers can be moved back and forth. Height of these shelves can be adjusted by removing and then installing them to upper or lower positions. Raise the shelf up slightly and pull towards yourself to remove it.

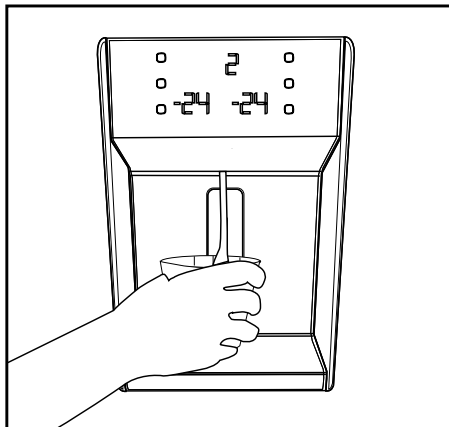


## Using the water spring

### Warnings

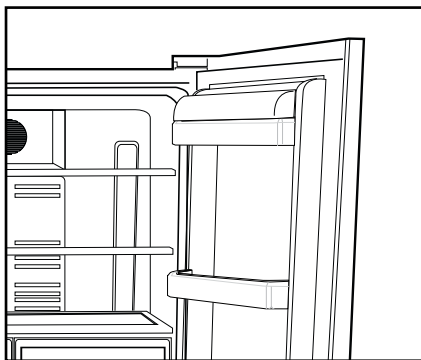
It is normal for the first few glasses of water taken from the dispenser to be warm.

In cases where the water dispenser has not been used frequently, sufficient amount of water must be drained from the dispenser to get fresh water.



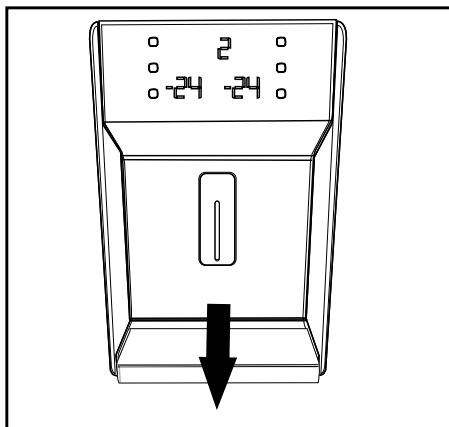
## Butter & Cheese Section

You can store food such as butter, cheese, and margarine in this section which has a lid.



## Spillage Tray

Water drops that drip during use, accumulates in the spillage tray. You can remove spillage tray by pulling it to yourself or pressing on its edge (depending on the model). You can remove the water with a sponge or a soft cloth.



## Minibar

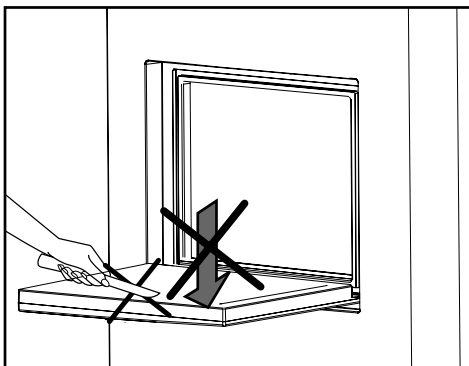
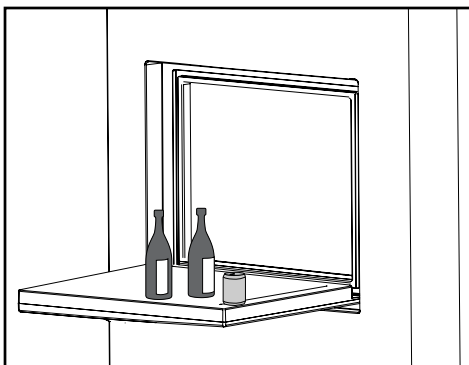
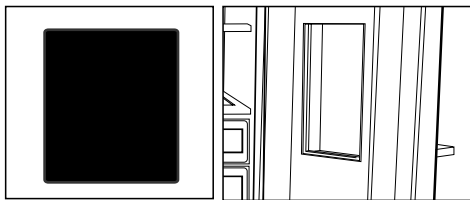
Minibar door provides you extra comfort when using your refrigerator. The door shelf in the refrigerator can be accessed without opening the refrigerator door; thanks to this feature, you can easily pick from the refrigerator the foods and drinks which you frequently consume. Since you do not have to open the refrigerator door frequently, you will have decreased the power consumption of refrigerator.

To open the minibar door, press by your hand on the minibar and pull back to open.

When the door of minibar is open, you may use the inner face of the door as a table on which you may put your bottles and glasses for a short time as shown in the figure.

**⚠ Caution:** Never do things that may put pressure on the door such as sitting on, climbing up or hanging to the table and do not place heavy objects on it. This may cause damage on the refrigerator or personal injuries.

**⚠ Caution:** Never perform cutting on the Minibar door and be careful that the door is not damaged by pointed objects.



## 6 Cleaning and care

---

- ⚠ Never use gasoline, benzene or similar substances for cleaning purposes.
- ⚠ We recommend that you unplug the appliance before cleaning.
- 🔧 Never use any sharp abrasive instrument, soap, household cleaner, detergent and wax polish for cleaning.
- 🔧 Use lukewarm water to clean the cabinet of your refrigerator and wipe it dry.
- 🔧 Use a damp cloth wrung out in a solution of one teaspoon of bicarbonate of soda to one pint of water to clean the interior and wipe it dry.
- ⚠ Make sure that no water enters the lamp housing and other electrical items.
- ⚠ If your refrigerator is not going to be used for a long period of time, unplug the power cable, remove all food, clean it and leave the door ajar.
- 🔧 Check door seals regularly to ensure they are clean and free from food particles.
- ⚠ To remove door racks, remove all the contents and then simply push the door rack upwards from the base.

### Protection of plastic surfaces

- 🔧 Do not put the liquid oils or oil-cooked meals in your refrigerator in unsealed containers as they damage the plastic surfaces of your refrigerator. In case of spilling or smearing oil on the plastic surfaces, clean and rinse the relevant part of the surface at once with warm water.

## 7 Recommended solutions for the problems

Please review this list before calling the service. It might save you time and money. This list includes frequent complaints that are not arising from defective workmanship or material usage. Some of the features described here may not exist in your product.

The refrigerator does not operate.
<ul style="list-style-type: none"><li>• Is the refrigerator properly plugged in? Insert the plug to the wall socket.</li><li>• Is the fuse of the socket which your refrigerator is connected to or the main fuse blown out? Check the fuse.</li></ul>
Condensation on the side wall of the fridge compartment (MULTIZONE, COOL CONTROL and FLEXI ZONE).
<ul style="list-style-type: none"><li>• Very cold ambient conditions. Frequent opening and closing of the door. Highly humid ambient conditions. Storage of food containing liquid in open containers. Leaving the door ajar. Switching the thermostat to a colder degree.</li><li>• Decreasing the time the door left open or using it less frequently.</li><li>• Covering the food stored in open containers with a suitable material.</li><li>• Wipe the condensation using a dry cloth and check if it persists.</li></ul>
Compressor is not running
<ul style="list-style-type: none"><li>• Protective thermic of the compressor will blow out during sudden power failures or plug-out plug-ins as the refrigerant pressure in the cooling system of the refrigerator has not been balanced yet. Your refrigerator will start running approximately after 6 minutes. Please call the service if the refrigerator does not startup at the end of this period.</li><li>• The fridge is in defrost cycle. This is normal for a full-automatically defrosting refrigerator. Defrosting cycle occurs periodically.</li><li>• Your refrigerator is not plugged into the socket. Make sure that the plug is properly fit into the socket.</li><li>• Are the temperature adjustments correctly made?</li><li>• Power might be cut off.</li></ul>

The fridge is running frequently or for a long time.

- Your new product may be wider than the previous one. This is quite normal. Large refrigerators operate for a longer period of time.
- The ambient room temperature may be high. This is quite normal.
- The refrigerator might have been plugged in recently or might have been loaded with food. Cooling down of the refrigerator completely may last for a couple of hours longer.
- Large amounts of hot food might have been put in the refrigerator recently. Hot food causes longer running of the refrigerator until they reach the safe storage temperature.
- Doors might have been opened frequently or left ajar for a long time. The warm air that has entered into the refrigerator causes the refrigerator to run for longer periods. Open the doors less frequently.
- Freezer or fridge compartment door might have been left ajar. Check if the doors are tightly closed.
- The refrigerator is adjusted to a very low temperature. Adjust the refrigerator temperature to a warmer degree and wait until the temperature is achieved.
- Door seal of the fridge or freezer may be soiled, worn out, broken or not properly seated. Clean or replace the seal. Damaged/broken seal causes the refrigerator to run for a longer period of time in order to maintain the current temperature.

Freezer temperature is very low while the fridge temperature is sufficient.

- The freezer temperature is adjusted to a very low temperature. Adjust the freezer temperature to a warmer degree and check.

Fridge temperature is very low while the freezer temperature is sufficient.

- The fridge temperature might have been adjusted to a very low temperature. Adjust the fridge temperature to a warmer degree and check.

Food kept in the fridge compartment drawers are freezing.

- The fridge temperature might have been adjusted to a very low temperature. Adjust the fridge temperature to a warmer degree and check.

Temperature in the fridge or freezer is very high.

- The fridge temperature might have been adjusted to a very high degree. Fridge adjustment has an effect on the temperature of the freezer. Change the temperature of the fridge or freezer until the fridge or freezer temperature reaches to a sufficient level.
- Doors might have been opened frequently or left ajar for a long time; open them less frequently.
- Door might have been left ajar; close the door completely.
- Large amount of hot food might have been put in the refrigerator recently. Wait until the fridge or freezer reaches the desired temperature.
- The refrigerator might have been plugged in recently. Cooling down of the refrigerator completely takes time.

The operation noise increases when the refrigerator is running.
<ul style="list-style-type: none"> <li>• The operating performance of the refrigerator may change due to the changes in the ambient temperature. It is normal and not a fault.</li> </ul>
Vibrations or noise.
<ul style="list-style-type: none"> <li>• The floor is not even or it is weak. The refrigerator rocks when moved slowly. Make sure that the floor is strong enough to carry the refrigerator, and level.</li> <li>• The noise may be caused by the items put onto the refrigerator. Items on top of the refrigerator should be removed.</li> </ul>
There are noises coming from the refrigerator like liquid spilling or spraying.
<ul style="list-style-type: none"> <li>• Liquid and gas flows happen in accordance with the operating principles of your refrigerator. It is normal and not a fault.</li> </ul>
There is a noise like wind blowing.
<ul style="list-style-type: none"> <li>• Fans are used in order to cool the refrigerator. It is normal and not a fault.</li> </ul>
Condensation on the inner walls of refrigerator.
<ul style="list-style-type: none"> <li>• Hot and humid weather increases icing and condensation. It is normal and not a fault.</li> <li>• Doors might have been left ajar; make sure that the doors are closed fully.</li> <li>• Doors might have been opened frequently or left ajar for a long time; open them less frequently.</li> </ul>
Humidity occurs on the outside of the refrigerator or between the doors.
<ul style="list-style-type: none"> <li>• There might be humidity in the air; this is quite normal in humid weather. When the humidity is less, condensation will disappear.</li> </ul>
Bad odor inside the refrigerator.
<ul style="list-style-type: none"> <li>• Inside of the refrigerator must be cleaned. Clean the inside of the refrigerator with a sponge, lukewarm water or carbonated water.</li> <li>• Some containers or package materials might cause the smell. Use a different container or different brand packaging material.</li> </ul>
The door is not closing.
<ul style="list-style-type: none"> <li>• Food packages may prevent the door's closing. Replace the packages that are obstructing the door.</li> <li>• The refrigerator is not completely upright on the floor and rocking when slightly moved. Adjust the elevation screws.</li> <li>• The floor is not level or strong. Make sure that the floor is level and capable to carry the refrigerator.</li> </ul>
Crispers are stuck.
<ul style="list-style-type: none"> <li>• The food might be touching the ceiling of the drawer. Rearrange food in the drawer.</li> </ul>

## קרא מדריך זה, תחילה!

לקוח יקר,

אנו מקווים שמוצר זה, שיצר במפעלים מודרניים ונבדק במסגרת נוהלי בקרת האיכות המחמירים ביותר, ישמש אותך ביעילות.




לשם כך, מומלץ לקרוא בעיון רב את כל המדריך של המוצר לפני שתשתמש בו ולשמור אותו בהישג יד לעת הצורך.

## מדריך זה

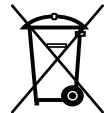
- יעזור לך להשתמש במכשיר באופן מהיר ובטוח.
- קרא את המדריך לפני התקנת המוצר והפעלתו.
- פעל בהתאם להוראות, במיוחד להוראות הבטיחות.
- החזק את המדריך במקום נגיש, ייתכן שתזדקק לו מאוחר יותר.
- יתרה מכך, קרא גם את המסמכים האחרים המצורפים למוצר.
- שים לב, מדריך זה עשוי להיות תקף גם לגבי דגמים אחרים.

## הסמלים ותיאוריהם

מדריך הוראות זה מכיל את הסמלים הבאים:

- מידע חשוב או עצות שימוש יעילות. 
- אזהרה מפני מצבים המהווים סכנת חיים או סכנה לרכוש. 
- אזהרה מפני מתח חשמלי. 

מיחזור

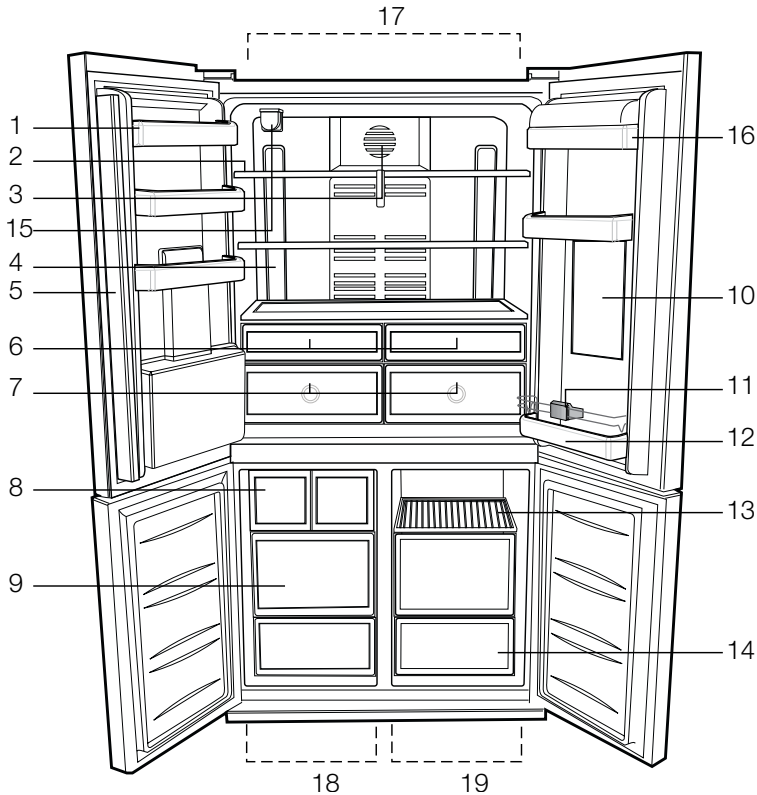


על מוצר זה מתנוסס סמל המיון הסלקטיבי לפסולת מכשירים חשמליים ואלקטרוניים (WEEE).  
כלומר, יש לטפל במוצר זה בהתאם להנחיה האירופית EC/2002/96, אשר לפיה יש למחזר או לפנות את המוצר, כך שהשפעתו על איכות הסביבה תהיה מזערית.  
לקבלת פרטים נוספים, פנה לרשויות המקומיות או האזוריות הקרובות לאזור מגוריך.

מוצר חשמל שאינם כלולים בתהליך המיון הסלקטיבי מהווים סכנה לאיכות הסביבה ולבריאות האדם, הואיל והם מכילים חומרים מסוכנים.

<b>17</b>	<b>4 הכנה</b>	<b>4</b>	<b>1 המקרר</b>
<b>18</b>	<b>5 אופן השימוש במקרר</b>	<b>5</b>	<b>2 אזהרות בטיחות חשובות</b>
18	לוח מחוונים	5	השימוש המיועד
21	התראת דלת פתוחה:	5	בטיחות כללית
	פעולות שיש לבצע כדי שזמן השימוש במסנן	7	בטיחות ילדים
22	יחושב אוטומטית	7	אזהרה מפני חומצת HCA
23	מגש ביצים	7	פעולות שיש לבצע לצורך
23	הזזת מדפי גוף המקרר	7	חיסכון באנרגיה
23	מגירת ירקות		
23	תא קירור באפס מעלות	<b>8</b>	<b>3 התקנה</b>
24	חלק אמצעי ניד		נקודות שיש לקחת בחשבון לפני הובלת
24	תא אחסון רב-תכליתי	8	המקרר מחדש
24	אור כחול	8	לפני הפעלת המקרר
	הזזת מדפי גוף המקרר בעזרת מתלים	8	חיבור לחשמל
25	אחוריים	9	השלכת האריזה לאשפה
25	מדף לחמאה ולגבינה	9	השלכת המקרר הישן לאשפה
25	שימוש במתקן המים	9	הצבה והתקנה
25	מגש גלישת מים	10	כוונון ייצוב ביחס לרצפה
26	מיני בר	10	כוונון הרווח בין הדלתות העליונות
<b>27</b>	<b>6 ניקוי וטיפול</b>	12	התקן מסנן המים
27	הגנה על משטחי פלסטיק	12	חיבור צינור המים למקרר
		13	חיבור צינור המים למכל
		14	חיבור צינור המים לצנרת המים הקרים
<b>28</b>	<b>7 פתרונות מומלצים לבעיות</b>	16	לפני השימוש הראשון במתקן המים





- |    |                           |     |
|----|---------------------------|-----|
| 1  | מדפי דלת תא הקירור        | -1  |
| 2  | מדפי הזכוכית של תא הקירור | -2  |
| 3  | מכסה המפזר                | -3  |
| 4  | עדשת התאורה הפנימית       | -4  |
| 5  | חלק אמצעי נייד            | -5  |
| 6  | תא קירור באפס מעלות       | -6  |
| 7  | מגירת ירקות               | -7  |
| 8  | מתקן קוביות קרח           | -8  |
| 9  | תאי אחסון למזון קפוא      | -9  |
| 10 | מיני בר                   | -10 |
| 11 | מתקן לאחסון בקבוקים       | -11 |
| 12 | מדף לבקבוקים              | -12 |
| 13 | מדפי תא אחסון מזון        | -13 |
| 14 | תאי אחסון מזון            | -14 |
| 15 | מסנן מים                  | -15 |
| 16 | מדף לחמאה ולגבינה         | -16 |
| 17 | תא הקירור                 | -17 |
| 18 | תא ההקפאה                 | -18 |
| 19 | אזור רב-תכליתי            | -19 |

Ⓢ האוורים המופיעים במדריך הוראות זה הם איוורים כלליים וייתכן שלא יתאימו בדיוק למוצר שברשותך. אם החלקים המוצגים במדריך אינם כלולים במוצר שרכשת, הם בוודאי תקפים לדגמים אחרים.

\* אין להשתמש בחלקים שונים של המקרר, כמו הדלת והמגירה, כאמצעי תמיכה או כמדרגה. אתה עלול לגרום להתהפכות המוצר או להסב נזק לחלקים ממנו.  
אין להשתמש במכשירים חשמליים בתוך המקרר.  
אין לגרום נזק למערכת הקירור באמצעות מכשירי קידוח או חיתוך בעת זרימת חומרי הקירור. חומר הקירור, שעלול לדלוף כאשר נוצר נקר בצינורות הגז של המאייד, במארץ הצינור או במשטחי הציפוי, עלול לגרום לגירוי בעור ולפגיעה בעיניים.  
אין לכסות או לחסום בחומר כלשהו את פתחי האוויר שבמקרר.  
תיקונים למוצרים החשמליים יבצעו אך ורק אנשי מקצוע מוסמכים. תיקונים המתבצעים על ידי אנשים בלתי מוסמכים עלולים להעמיד את המשתמש בסכנה.  
במקרה של תקלה בחשמל או במהלך פעולות תחזוקה או תיקונים, נתק את המקרר מהחשמל על ידי כיבוי הנתיך המתאים או על ידי הוצאת כבל המקרר משקע החשמל.  
בעת הוצאת התקע מהשקע אין למשוך אותו מהכבל.  
הנח את המשקאות צמודים זה לזה בצורה אנכית ודאג לרמת אטימות גבוהה יותר.  
אין להחזיק במקרר פריטים או מוצרים דליקים המכילים גזים דליקים (כמו תרסיסים) כמו גם חומרי נפץ.

- עיין במידע הבא. אם לא תפעל בהתאם להוראות, ייתכן שייגרם נזק גופני או נזק חומרי. אם לא תפעל בהתאם להוראות, ההתחייבות לאחריות ולאמינות לא תהיה תקפה.
- אורך חיי השימוש של היחידה שרכשת הוא 10 שנים. זהו פרק הזמן הנדרש לפעולת חלקי החילוף של היחידה כמתואר.

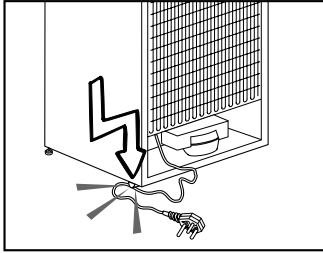
### השימוש המיועד

- מוצר זה נועד לשימוש ביתי.
- אין להשתמש בו מחוץ לבית. אין זה מתאים להשתמש במקרר בחוץ, גם אם המקום מקורה.

### בטיחות כללית

- אם ברצונך להיפטר מהמוצר או להשליך אותו לפסולת, מומלץ להיוועץ בנציג שירות מורשה כדי לדעת איזה מידע דרוש ומיהם הגורמים המורשים.
- היוועץ בנציג השירות המורשה לגבי כל השאלות והבעיות הקשורות למקרר. אין לבצע או לאפשר למישהו אחר לבצע פעולות התערבות במקרר מבלי להודיע לנציג שירות מורשה.
- אין לאכול גלידה וקוביות קרח מייד לאחר הוצאתם מתא ההקפאה! (עלולות להיווצר בפיץ כוויית).
- אין להכניס לתא ההקפאה בקבוקי משקה או פחיות משקה. הם עלולים להתפוצץ.
- אין לגעת בידוך במזון קפוא; הוא עלול להידבק אליהן.
- אין להשתמש באדים או בחומרי ניקוי עם אדים בתהליכי הניקוי וההפשרה של המקרר. האדים עלולים לבוא במגע עם החלקים החשמליים ולגרום לקצר או להתחשמלות.

במקרים בעלי בקרה מכנית (תרמוסטט), המתן 5 דקות לפני שתחבר שוב את התקע לשקע החשמל, אם הוא לא היה מחובר. יש למסור מדריך הפעלה זה לבעלים החדש של המוצר בעת העברת המוצר למישהו אחר.



אין לגרום נזק לכבל החשמל ולתקע בעת העברת המקרר ממקום למקום. למניעת סכנת שריפה, אין לגרום לפיתול הכבל או להניחו מתחת לחפצים כבדים. אין לגעת בתקע בידיים רטובות בעת ניתוק המכשיר מהחשמל.

אין לחבר את המוצר לחשמל אם בית הקיבול שלו רופף.

אין להתיז מים ישירות על החלקים החיצוניים או הפנימיים של המוצר מסיבות בטיחותיות. אין להתיז בקרבת המוצר תרסיסים דליקים המופעלים בלחץ, כדי למנוע סכנת שריפה או התפוצצות.

אין להניח מעל המוצר מכילים נוזלים. שפיכת מים על רכיב חשמלי עלול לגרום להתחשמלות או להוות סכנת שריפה.

אין לאחסן במקרר מזון בכמות שהיא מעבר לקיבולת שלו. הוא עלול ליפול בעת פתיחת הדלת ולגרום פציעה או נזק. בעיות דומות עלולות להתרחש בעת הנחת חפצים מעל המקרר.

אין להחזיק במקרר מוצרים אשר נדרשת להם בקרת טמפרטורה מדויקת (תרכיבי חיסון, תרופות רגישות לחום, חומרים מדעיים, וכו')

- אין להשתמש בהתקנים מכניים או באמצעים אחרים שאינם מומלצים על ידי היצרן להאצת תהליך ההפשרה.
- מכשיר זה לא נועד לשימוש על ידי אנשים או ילדים בעלי יכולת פיזית ירודה או בעלי לקויות חישתיות או שכליות או חסרי ניסיון או ידע הולמים, אלא אם כן הם משתמשים במכשיר תחת השגחתו או לפי הוראתו של אדם האחראי לבטיחותם.
- אין להפעיל מקרר פגום. אם יש לך ספק, היוועץ בנציג השירות.
- בטיחות החשמל במקרר שברשותך תהיה מובטחת רק אם מערכת ההארקה בביתך תעמוד בתקנים הדרושים.
- חשיפת המוצר לגשם, שלג, שמש ורוח מסוכנת בכל הנוגע לבטיחות בחשמל.
- אם קיימת בעיה בכבל החשמל או בתקע, על נציג שירות מורשה להחליפם כדי למנוע תקלות.
- אין לחבר את המקרר לשקע החשמל במהלך ההתקנה. בפעולה זו קיימת סכנת חיים והיא עלולה לגרום לפציעה קשה.
- השימוש הייעודי של המוצר הוא לשמר מזון; אין להשתמש בו למטרות אחרות.
- תווית הנתונים המכילה את המפרטים הטכניים של המוצר נמצאת בחלקו השמאלי הפנימי.
- מסוכן לחבר את המוצר למערכות חשמל לחיסכון באנרגיה, מכיוון שהן עלולות לגרום נזק למוצר.
- אם מותקנת במקרר נורה כחולה, יש להביט בה באמצעות מכשירים אופטיים.

## פעולות שיש לבצע לצורך חיסכון באנרגיה

- אין להשאיר את דלתות המקרר פתוחות לזמן ממושך.
- אין להכניס למקרר מזון או משקאות חמים.
- אין להעמיס את המקרר יתר על המידה כדי לא להפריע בזרימת האוויר בתוכו.
- אין להציב את המקרר כשהוא חשוף לשמש ישירה או בקרבת מכשירים הפולטים חום, כמו תנורים, מדחי כלים או רדיאטורים.
- הקפד לאחסן את המזון במיכלים סגורים.
- ניתן להגיע למילוי מרבי של תא המקפיא של המקרר אם מסירים את המדף או את המגירה שלו. ערך צריכת האנרגיה המוצהרת של המקרר נקבע כאשר המדף או המגירה של תא ההקפאה הוסרו וכשהוא מכיל כמות מרבית של מזון. אין כל סכנה אם משתמשים במדף או במגירה בהתאם לצורות ולגדלים של המזון שיש להקפיא.

- יש לנתק את המקרר מהחשמל אם אין כוונה להשתמש בו לאורך זמן. כל בעיה בבידוד הכבלים עלולה לגרום לשריפה.
- יש לנקות לכלוך ואבק מקצה תקע החשמל, כדי למנוע שריפה.
- המקרר עלול לזוז אם רגליות כווננו האיזון אינן ניצבות היטב על הרצפה.
- אם למקרר יש ידית של הדלת, אין למשוך את המקרר מהידית, מכיוון שהיא עלולה להתנתק ממקומה.
- יש להקפיד שלא להכניס ידיים ורגליים לתוך המקרר, מכיוון שהן יכולות להיתפס בין החלקים הניידים שלו.

### בטיחות ילדים

- אם יש מנעול על הדלת, יש להרחיק את המפתח מהישג ידם של ילדים.
- יש להשגיח על ילדים כדי לוודא שהם אינם משחקים במכשיר.

## אזהרה מפני חומצת HCA

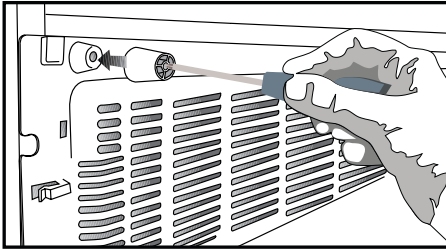
### אם מותקנת במקרר מערכת קירור המכילה R600a:

- גזים אלה דליקים. לכן הקפד שלא לגרום מזק למערכת הקירור ולצנרת הקירור במהלך השימוש וההובלה. במקרה של גרימת מזק, יש להרחיק את המוצר ממקורות אש פוטנציאליים, שעלולים להביא להתלקחותו. כמו כן, יש לאוורר את החדר שבו מוצב המקרר.

### אם מותקנת במקרר מערכת קירור המכילה R134a, התעלם מהאזהרה.

תוכל לראות את הגז המשמש לייצור המוצר שלך בתווית הנתונים הנמצאת בחלקו הפנימי משמאל.

אין להשליך את המוצר לאש.



① זכור שהיצרן לא יישא באחריות כלשהי אם לא תציית להוראות המופיעות במדריך זה.

## נקודות שיש לקחת בחשבון לפני הובלת המקרר מחדש

1. יש לרוקן ולנקות את המקרר לפני ההובלה.  
 2. לפני האריזה, יש להדק למקומם במקרר את המדפים, האבזרים הנלווים, מגירת הירקות וכו' באמצעות סרט הדבקה למניעת טלטולים מיותרים.

3. יש להדק את האריזה באמצעות סרטים עבים וחבלים חזקים ולציית לכללי ההובלה המודפסים על האריזה.

## ① זכור תמיד... ..

כל חומר ממוחזר הוא מקור הנחוץ לטבע ולמשאבים הלאומיים.

אם ברצונך לתרום למיחזור חומרי האריזה, תוכל לקבל מידע נוסף מגורמי איכות הסביבה או מהרשות המקומית.

## לפני הפעלת המקרר

לפני שתחיל להשתמש במקרר, בדוק את הנקודות הבאות:

1. האם פנים המקרר יבש והאוויר יכול לנוע בחופשיות בחלקו האחורי?

2. הכנס את 2 טריזי הפלסטיק למכסה האוורור האחורי, כפי שמודגם באיור הבא. לשם כך, הסר את הברגים מהמוצר והשתמש בברגים שסופקו באותו נרתיק.

טריזי פלסטיק יספקו את המרחק הדרוש בין המקרר לבין הקיר כדי לאפשר זרימת אוויר.

3. נקה את פנים המקרר לפי ההמלצות המופיעות בפרק "תחזוקה וניקוי".

4. חבר את המקרר אל שקע החשמל. כאשר הדלת נפתחת נדלקת הנורה הפנימית המתאימה.

5. נשמע רעש כשהמדחס מתחיל לפעול.

הנוזלים והגזים האטומים במערכת הקירור עשויים גם הם להשמיע רעש גם אם המדחס אינו פועל; זוהי תופעה רגילה.

6. ייתכן שהקצוות הקדמיים של המקרר יהיו חמים למגע. זוהי תופעה רגילה. אזורים אלה נועדו להיות חמים כדי למנוע התעבות.

## חיבור לחשמל

חבר את המקרר לשקע מוארק המוגן על ידי נתיך בעל קיבולת הולמת.

חשוב:

⚠ על החיבור להתבצע בהתאם לתקנות הארציות.

⚠ על תקע כבל החשמל להיות נגיש בקלות לאחר ההתקנה.

⚠ המתח והנתיך המותר להגנה על המקרר מצוינים בסעיף "מפרטים טכניים".

⚠️ אם דלת הכניסה לחדר המיועד להתקנת המקרר אינה רחבה במידה מספקת למעבר המקרר, פנה לנציג השירות המורשה כדי להסיר את דלתות המקרר ולהעביר את המקרר מהצד דרך הדלת

1. הצב את המקרר במקום נוח לשימוש.
2. הרחק את המקרר ממקורות חום, מקומות חמים ומקומות החשופים לשמש ישירה.
3. חייבת להיות זרימת אוויר מספקת סביב המקרר כדי שהמקרר יפעל ביעילות. אם המקרר אינו מוצב בגומחה בקיר, יש לשמור על מרחק של 5 ס"מ לפחות מהתקרה ו-5 ס"מ לפחות מהקיר.
- אם על הרצפה פרוס שטיח, על המקרר להיות מוגבה מהרצפה ב-2.5 ס"מ.
4. הצב את המקרר על משטח רצפה מאוזן כדי למנוע זעזועים.
5. אין להציב את המקרר בחדר שבו הטמפרטורה נמוכה מ-10 מעלות צלזיוס.

⚠️ על המתח המצוין להיות שווה למתח החשמל. ⚠️ אין להשתמש בכבלים מאריכים וברבי שקעים לשם חיבור.

⚠️ כבל חשמל פגום יוחלף על ידי חשמלאי מוסמך.

⚠️ אין להשתמש במכשיר לפני שיתוקן! קיימת סכנת התחשמלות!

## השלכת האריזה לאשפה

⚠️ חומרי האריזה עלולים להיות מסוכנים לילדים. שמור את חומרי האריזה הרחק מהישג ידם של ילדים או השלך אותם על ידי סיווגם בהתאם להוראות בדבר פסולת. אין להשליך אותם ביחד עם פסולת ביתית רגילה. אריזת המקרר עשויה מחומרים מתמחזרים.

## השלכת המקרר הישן לאשפה

השלך את המקרר הישן שלך מבלי לגרום נזק כלשהו לסביבה.

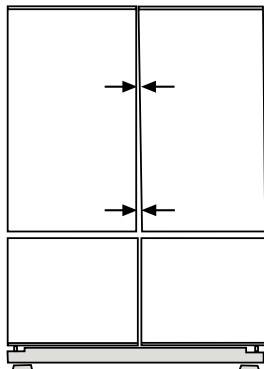
⚠️ תוכל להיוועץ בסוכן המורשה שלך או לפנות למרכז לאיסוף אשפה בעירייה לגבי השלכת המקרר שלך לאשפה.

⚠️ לפני השלכת המקרר לאשפה, הוצא את התקע משקע החשמל; אם קיימות נעילות כלשהן בדלת, נטרל אותן כדי להגן על ילדים מפני סכנה כלשהי.

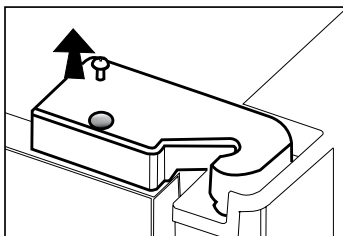
## הצבה והתקנה

⚠️ זהירות: אין לחבר את המקרר לשקע החשמל במהלך ההתקנה. בפעולה זו קיימת סכנת חיים והיא עלולה לגרום לפציעה קשה.

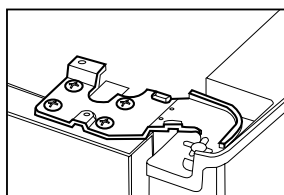
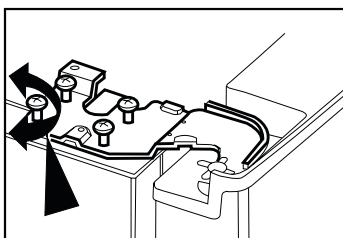
## כונן הרווח בין הדלתות העליונות



1 ניתן לכונן את הרווח בין דלתות תא הקירור כפי שמודגם באיורים. בעת כוננון גובה הדלת, על מדפי הדלת להיות ריקים.

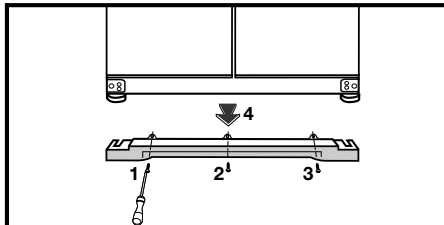


2 הסר בעזרת מברג את הבורג של מכסה הציר העליון של הדלת שברצונך לכונן.

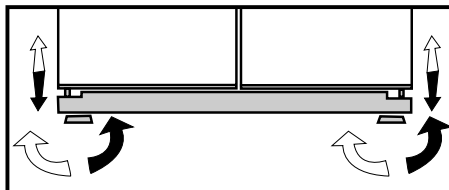


## כוננון ייצוב ביחס לרצפה

⚠ אם המקרר אינו מייצב;  
⚠ ראשית, נתק את המוצר מהחשמל. יש לנתק את המוצר מהחשמל בעת כוננון הייצוב. קיימת סכנת התחשמלות!



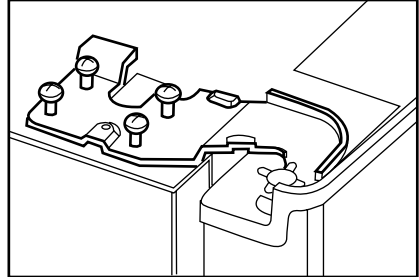
1- יש להסיר את מכסה המאוורר על ידי שחרור הברגים כפי שמודגם באיור לפני ביצוע הפעולה. ניתן לייצב אותו על ידי סיבוב הרגליות הקדמיות שלו כפי שמודגם באיור. הפינה שבה נמצאת הרגלית מונמכת כאשר מסובבים בכיוון החץ השחור ומוגבהת כאשר מסובבים אותה בכיוון ההפוך. לשם כך, בקש ממישהו שיעזור לך להרים מעט את המקרר.



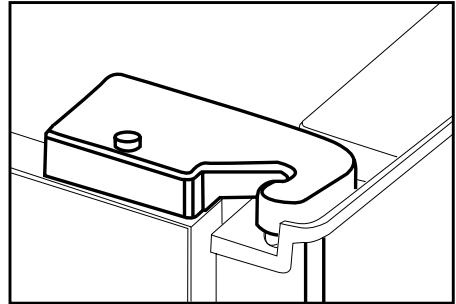
2. לאחר שהושג האיזון, החזר את מכסה המאוורר למקומו והדק את הברגים.

3. הסר את הברגים המהדקים את החלק התחתון של מכסה המאוורר בעזרת מברג פיליפס.

① כוונן את הדלת בצורה נכונה כרצונך על ידי שחרור קל של הברגים.



② קבע את הדלת שכווננת על ידי הידוק הברגים בלי לשנות את מיקום הדלת.



③ החזר את מכסה הציר למקומו וקבע אותו בעזרת הבורג.



## התקן מסנן המים

(בחלק מהדגמים)

ניתן לחבר למקרר שני מקורות מים שונים  
לאספקת מים: מים מצנרת המים הקרים  
ומים ממכל.

### דרישות התקנה

יש להשתמש במשאבה אם משתמשים במים ממכל.

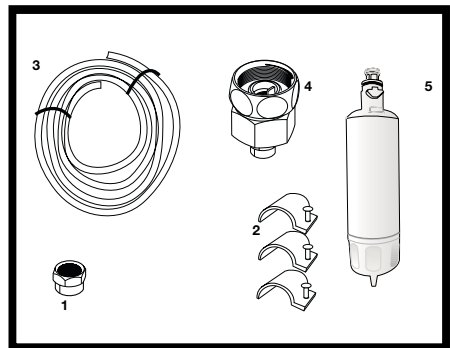
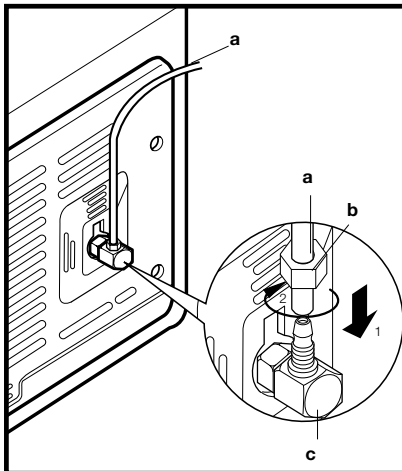
ודא שהחלקים המצוינים להלן יסופקו ביחד עם המכשיר.

1. מחבר לחיבור צינור המים לחלקו האחורי של המכשיר. (אם אינו מתאים, השג אותו ממוקד השירות המורשה הקרוב ביותר למקום מגוריך.)
2. 2 חלקים של הדקי צינורות (אם יידרשו להידוק צינור המים)  
הערה: מאחר שהחלקים הבאים אינם דרושים לשימוש עם מכל, ייתכן שהם לא יימצאו באריזת המוצר שרכשת.
3. צינור מים באורך 5 מטרים (קוטר  $\frac{1}{4}$  אינץ')
4. שסתום המים הקרים של צינור המים הראשי (מתאם ברז)
5. מסנן מים או מסנן שניתן לחבר באופן חיצוני, שיש להתקין על תפסי הידוק בתוך תא המקרר.

יש לקבוע תחילה היכן ימוקם המסנן החיצוני שיש להתקין. (חל על המסנן המשמש מחוץ למקרר.) לאחר מכן, קבע את המרחק בין המסנן לבין המקרר ואת אורך הצינור הנמתח מהמסנן אל כניסת המים למקרר.  
את מסנן המים יש להציב בצורה אנכית, כפי שמודגם באיור. חשוב לחבר בצורה נכונה את המסנן לנקודת כניסת המים ולנקודת יציאת המים.  
לאחר חיבור המסנן, אין להשתמש ב-3-4 כוסות המים הראשונות.

### חיבור צינור המים למקרר

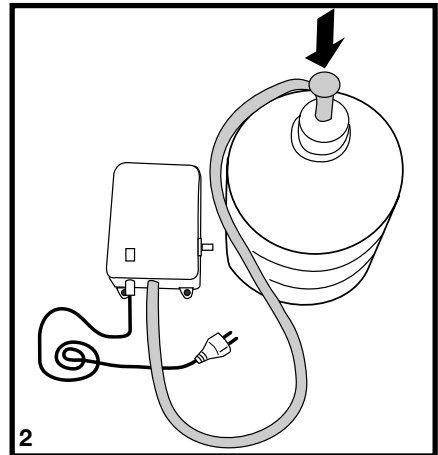
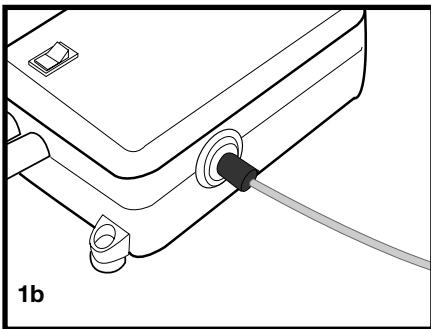
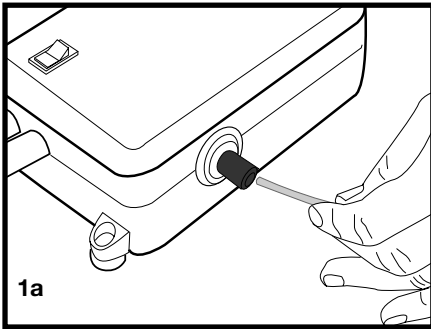
1. לאחר התקנת המחבר על צינור המים, הכנס את צינור המים לשסתום כניסת המקרר בלחיצה חזקה כלפי מטה.
2. קבע את המחבר כפי שמודגם באיור שממול בלחיצה ביד על שסתום כניסת המקרר.  
(א- צינור מים, ב- מחבר, ג- שסתום)
3. הערה 1: אין צורך להדק את המחבר באמצעות כלי כלשהו כדי לקבל הרכבה אטימה למים. אם מתרחשת נזילה, השתמש במפתח ברגים או צבת כדי להדק את המחבר.



2. הנח את צינור המשאבה וקבע אותו אל המכל, כפי שמודגם באיור.
3. עם השלמת החיבור, חבר את המשאבה לחשמל והפעל אותה. לפעולה יעילה של המשאבה, המתן 2-3 דקות לאחר הפעלת המשאבה.
- ⓐ בעת חיבור המים, תוכל לעיין במדריך למשתמש של המשאבה.
- ⓑ אין צורך להשתמש במסנן מים אם נעשה שימוש במכל.
- ⓐ יש להשתמש במשאבה אם ייעשה שימוש במכל.

## חיבור צינור המים למכל (בחלק מהדגמים)

1. השלם את החיבור על ידי דחיפת הקצה השני של צינור המים אל כניסת צינור המים של המשאבה, כפי שמודגם באיור.



## חיבור צינור המים לצנרת המים הקרים

(בחלק מהדגמים)

אם ברצונך להשתמש במקרר שלך על ידי חיבורו לצנרת המים הקרים,

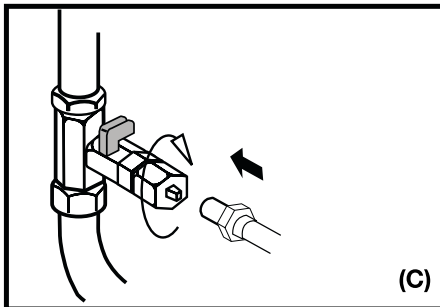
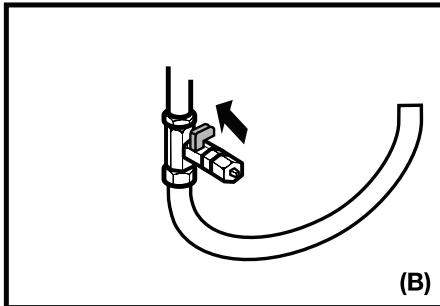
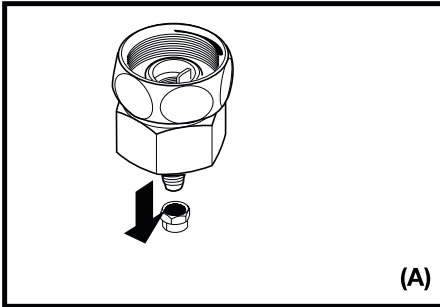
יהיה עליך לחבר אל ברז המים הקרים שבמערכת אספקת המים בביתך מתאם חיבור עם שסתום חצי אינץ' רגיל. אם שסתום כזה אינו קיים או אם אינך בטוח לגביו, היוועץ עם שרברב מוסמך.

1. הפרד את המחבר ממתאם הברז. (איור א)
2. התקן את מתאם הברז למתאם עם שסתום חצי אינץ', כפי שמודגם באיור. (איור ב)
3. לאחר הכנסת צינור המים למחבר, התקן אותו למתאם הברז והכנס אותו לברז כפי שמודגם באיור. (איור ג)
4. הדק את המחבר ידנית. אם מתרחשת נזילה, השתמש במפתח ברגים או צבת כדי להדק את המחבר.

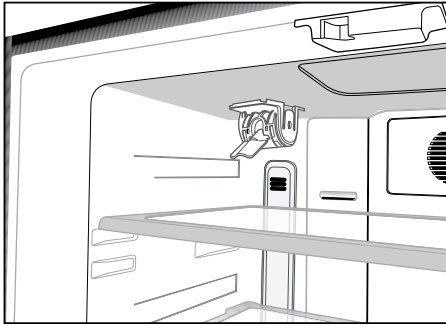
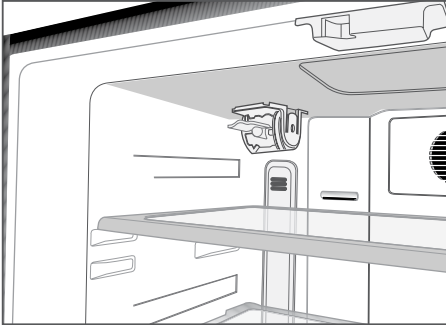
⚠ זהירות: הדק את צינור המים לנקודות מתאימות באמצעות מהדקי צינורות המצורפים למארז, כדי למנוע נזק או תזוזה מהמקום או ניתוק בלתי צפוי.

⚠ זהירות: לאחר פתיחת שסתום המים, ודא שאין נזילה בשתי נקודות החיבור של צינור המים. במקרה של נזילה, סגור מייד את השסתום והדק שוב את החיבורים בעזרת מפתח ברגים או צבת.

⚠ זהירות: ודא שמתאם שסתום 1/2 אינץ' רגיל המוזן על ידי צנרת המים הקרים קיים וסגור לחלוטין.

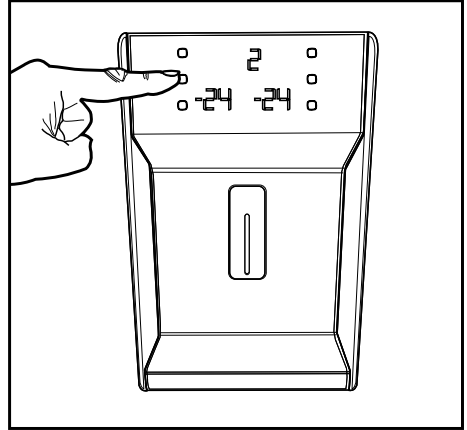


3. הוצא את מכסה עוקף מסנן המים על ידי סיבובו כלפי מטה.

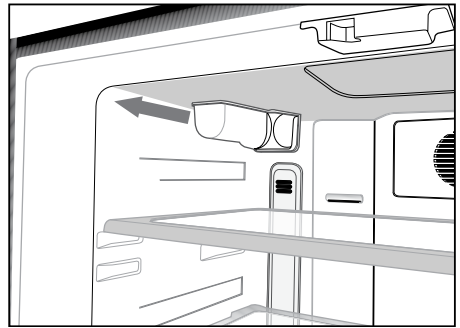


כדי להתקין את מסנן המים פעל בהתאם להוראות שלהלן המתייחסות לאיורים שהובאו לעיל:

1. לחץ על לחצן ביטול יצירת קרח שבתצוגה.



2. הסר את מכסה המסנן בתא הקירור על ידי משיכתו קדימה.



⚠ זהירות: ודא שמצב "ללא קרח" פעיל לפני הוצאת מכסה עוקף המסנן.

הערה: לאחר הוצאת המכסה כמה טיפות מים יכולות לטפטף החוצה.

4. הסר את המכסה שבראש מסנן המים והנח אותו כפי שמודגם באיור, וסובב אותו כלפי מעלה כדי לנעול אותו.

5. לחץ שוב על לחצן ביטול יצירת הקרח שבתצוגה כדי לצאת ממצב זה.

יש להחליף את מסנן המים כל 6 חודשים.

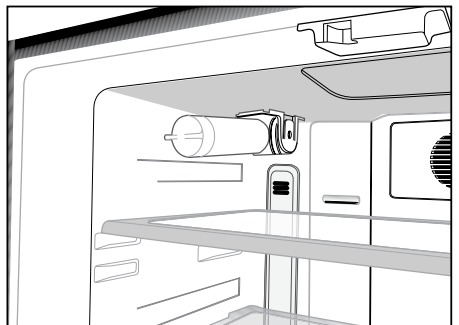
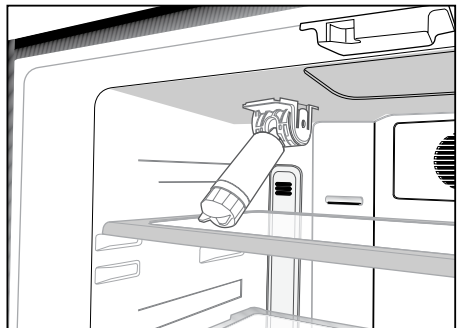
אם ברצונך שזמן החלפת המסנן יחושב אוטומטית ושתקבל התראה עם תום זמן השימוש, קרא את הפרק "חיישוב אוטומטי של זמן השימוש במסנן".

## לפני השימוש הראשון במתקן המים

- 1 אסור שלחץ המים בצינור הראשי יירד מתחת לבר אחד.
- 2 אסור שלחץ המים בצינור הראשי יהיה גבוה מ-8 ברים.
- 3 יש להשתמש במשאבות למקרה שבו לחץ המים בצינור הראשי יירד מתחת לבר אחד, אם יש כוונה להשתמש במכל.
- 4 מערכת המים של המקרר חייבת להיות מחוברת לצינור המים הקרים. אין לחבר אותה לצינור המים החמים.
- 5 בהפעלה הראשונה של המקרר לא יופיעו מים. בשל האוויר הנמצא במערכת. כדי לשחרר אוויר מהמערכת לחץ על בריח המתקן למשך פרקי זמן של דקה אחת עד שיגיעו מים מהמתקן. תיתכן זרימת מים בלתי סדירה בהתחלה. זרימת מים בלתי סדירה תסתדר לאחר שחרור האוויר מהמערכת.
- 6 בהפעלה הראשונה של המקרר יש להמתין כ-12 שעות עד להופעת מים קרים.
- 7 לחץ המים בצינור הראשי חייב להיות בין בר אחד ל-8 ברים כדי שמתקן הקרח/מים יפעל בצורה חלקה. לשם כך, ודא שניתן למלא כוס מים אחת (100 מ"ל) ב-10 שניות.
- 8 אין לשתות את 10 כוסות המים הראשונות.
- 9 אין להשתמש ב-30 קוביות הקרח הראשונות שיגיעו ממתקן הקרח.
- 10 השתמש תמיד במסנן המים אם אינך משתמש במכל.

יש להסיר את מסנן המים כפי שמודגם באיור כאשר עומדים להחליף אותו או כאשר הוא יוצא מכלל שימוש ולחבר אליו מכסה עוקף מסנן. לפני הוצאת המסנן יש לוודא שמצב 'ללא קרח' פעיל.

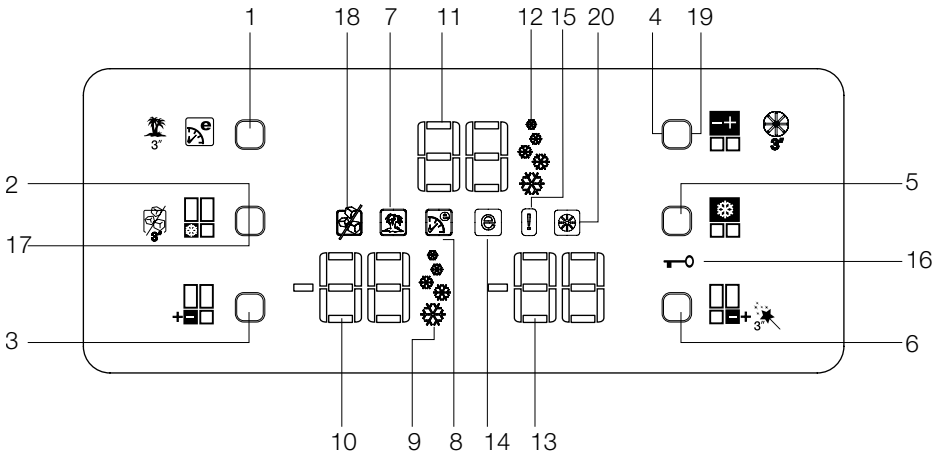
- 1 זהירות: מסנן המים מנקה כמה מהחלקיקים הזרים שנמצאים במים. הוא אינו מטהר את המים מפני מיקרואורגניזמים.
- 2 זהירות: יש ללחוץ על הלחצן ללא קרח לאורך כל תהליך החלפת מסנן המים או התקנת מכסה עוקף המסנן.



- יש להתקין את המקרר במרחק של לפחות 30 ס"מ ממקור חום, כמו כיריים, תנורים, חימום מרכזי ושל לפחות 5 ס"מ מתנורים חשמליים. כמו כן, אין להציבו כשהוא חשוף לשמש ישירה.
- טמפרטורת החדר שבו יותקן המקרר חייבת להיות לפחות 10 מעלות צלזיוס. לא מומלץ להפעיל את המקרר בטמפרטורה נמוכה יותר, שכן יעילות פעולתו עלולה להיפגע. ודא שפנים המקרר נוקה ביסודיות.
- אם מתקינים שני מקררים זה לצד זה, יש להקפיד על מרחק של לפחות 2 ס"מ ביניהם. בעת הפעלת המקרר בפעם הראשונה, יש לציית להוראות הבאות במהלך שש השעות הראשונות.
- אין לפתוח את הדלת לעתים קרובות.
  - המקרר חייב לפעול ריק ללא כל מזון בתוכו.
  - אין לנתק את המקרר מהחשמל. אם אירעה תקלה בחשמל שאינה בשליטתך, קרא את האזהרות בסעיף "פתרונות מומלצים לבעיות".
- יש לשמור את האריזה המקורית ואת חומר הריפוד לשימוש עתידי במקרה של הובלה או מעבר דירה.

## לוח מחוונים

לוח מחוונים זה עם לחצני מגע מאפשר לקבוע את הטמפרטורה מבלי לפתוח את דלת המקרר. רק גע באצבע בלחצן הרלוונטי כדי לקבוע את הטמפרטורה.



- |   |   |
|---|---|
| 11. מחוון טמפרטורת תא הקירור            | 1. לחצן Eco Extra (חיסכון נוסף)/ Vacation (חופשה) |
| 12. מחוון פונקציית הקירור המהיר         | 2. לחצן הקפאה מהירה                               |
| 13. מחוון טמפרטורת תא האחסון הרב-תכליתי | 3. לחצן הגדרת הטמפרטורה בתא ההקפאה                |
| 14. מחוון מצב חיסכון                    | 4. לחצן הגדרת הטמפרטורה בתא הקירור                |
| 15. מחוון מצב שגיאה                     | 5. לחצן קירור מהיר                                |
| 16. מחוון נעילת מקשים                   | 6. לחצן הגדרת הטמפרטורה בתא הרב-תכליתי            |
| 17. לחצן ביטול יצירת קרח                | 7. מחוון פונקציית החופשה                          |
| 18. מחוון ללא קרח                       | 8. מחוון פונקציית החיסכון הנוסף                   |
| 19. לחצן ביטול התראה להחלפת מסנן        | 9. מחוון פונקציית ההקפאה המהירה                   |
| 20. מחוון התראה להחלפת מסנן             | 10. מחוון טמפרטורת תא ההקפאה                      |

## 1. לחצן Eco Extra (חיסכון נוסף)/

### Vacation (חופשה)

לחץ על לחצן זה במהירות כדי להפעיל את פונקציית החיסכון הנוסף. לחץ על לחצן זה והחזק אותו לחוץ במשך 3 שניות כדי להפעיל את פונקציית החופשה. לחץ על לחצן זה שוב כדי לבטל את הפעלת הפונקציה שנבחרה.

## 2. לחצן הקפאה מהירה

לחץ על לחצן זה במהירות כדי להפעיל את פונקציית ההקפאה המהירה. לחץ על לחצן זה שוב כדי לבטל את הפעלת הפונקציה שנבחרה.

## 3. לחצן הגדרת הטמפרטורה בתא ההקפאה

לחץ על לחצן זה כדי להגדיר את טמפרטורת תא ההקפאה ל-18, -20, -22 ו-24... בהתאמה. לחץ על לחצן זה כדי לקבוע את הטמפרטורה הרצויה בתא ההקפאה.

## 4. לחצן הגדרת הטמפרטורה בתא הקירור

לחץ על לחצן זה כדי להגדיר את טמפרטורת תא הקירור ל-8, 6, 4, 2 ו-8... בהתאמה. לחץ על לחצן זה כדי לקבוע את הטמפרטורה הרצויה בתא הקירור.

## 5. לחצן קירור מהיר

לחץ על לחצן זה במהירות כדי להפעיל את פונקציית הקירור המהיר. לחץ על לחצן זה שוב כדי לבטל את הפעלת הפונקציה שנבחרה.

## 6. לחצן הגדרת הטמפרטורה בתא הרב-

### תכליתי

תוכל להגדיר את התא הרב-תכליתי כמקפיא או כמקרר. לחץ על לחצן זה והחזק אותו לחוץ במשך פרק זמן ממושך (3 שניות) כדי להגדיר את התא הרב-תכליתי כמקפיא או כמקרר. תא זה הוגדר על ידי היצרן כתא הקפאה.

אם התא הרב-תכליתי מוגדר כמקפיא, אזי טמפרטורת התא הרב-תכליתי תוחלף ל-18, -20, -22, -24, -18... בהתאמה בכל פעם שאתה לוחץ על הלחצן. אם התא הרב-תכליתי מוגדר כמקרר, אזי טמפרטורת התא הרב-תכליתי תוחלף ל-10, 8, 6, 4, 2, 0, -6... בהתאמה בכל פעם שאתה לוחץ על הלחצן.

## 7. מחוון פונקציית החופשה

מציין שפונקציית החופשה פעילה. אם פונקציה זו פעילה, הכיתוב "-" יופיע במחווון תא הקירור ולא יבוצע קירור בתא הקירור. התאים האחרים יקוררו בהתאם לטמפרטורה שנקבעה עבורם.

לחץ על הלחצן הרלוונטי שוב כדי לבטל את הפונקציה הזאת.

## 8. מחוון פונקציית החיסכון הנוסף

מציין שפונקציית החיסכון הנוסף פעילה. אם פונקציה זו פעילה, המקרר יאתר אוטומטית את פרקי הזמן שבו נעשה שימוש מזערי במקרר ובאותם פרקי זמן יבוצע קירור יעיל בצריכת החשמל. מחוון חיסכון יהיה פעיל בעת ביצוע קירור יעיל בצריכת חשמל.

לחץ על הלחצן הרלוונטי שוב כדי לבטל את הפונקציה הזאת.



**9. מחוון פונקציית ההקפאה המהירה.**  
מציין שפונקציית ההקפאה המהירה פעילה. השתמש בפונקציה זו בעת הנחת מזון טרי בתא ההקפאה או כאשר אתה צריך קרח. כאשר פונקציה זו פעילה, המקרר יפעל במשך פרק זמן מסוים.

לחץ על הלחצן הרלוונטי שוב כדי לבטל את הפונקציה הזאת.

**10. מחוון טמפרטורת תא ההקפאה**  
הוא מציין את הטמפרטורה שנקבעה לתא ההקפאה.

**11. מחוון טמפרטורת תא הקירור**  
מציין את הטמפרטורה שנקבעה לתא הקירור.

**12. מחוון פונקציית הקירור המהיר**  
מציין שפונקציית הקירור המהיר פעילה. השתמש בפונקציה זו בעת הנחת מזון טרי בתא הקירור או כאשר אתה צריך לקרר את האוכל שלך במהירות. כאשר פונקציה זו פעילה, המקרר יפעל במשך 2 שעות ללא הפסקה.

לחץ על הלחצן הרלוונטי שוב כדי לבטל את הפונקציה הזאת.

**13. מחוון טמפרטורת תא האחסון הרב-תכליתי**  
מציין את הטמפרטורה שנקבעה לתא הרב-תכליתי.

**14. מחוון מצב חיסכון**  
מציין שהמקרר פועל במצב של יעילות בצריכת החשמל. טמפרטורת תא ההקפאה מחוון זה יהיה פעיל אם הפונקציה נקבעה ל-18 או שמבוצע קירור יעיל מבחינת צריכת החשמל בזכות פונקציית החיסכון הנוסף.

**15. מחוון מצב שגיאה**  
אם המקרר אינו מקרר במידה מספקת או קיימת תקלה בחיישן, מחוון זה יופעל. כאשר מחוון זה פעיל, במחוון טמפרטורת תא ההקפאה תוצג האות "E" ובמחוון טמפרטורת תא הקירור יוצגו מספרים כמו "1,2,3...". מספרים אלה במחוון מספקים מידע על השגיאה לאנשי השירות.

**16. מחוון נעילת מקשים**  
השתמש בפונקציה זו אם אינך רוצה שהגדרת טמפרטורת המקרר תשונה. לחץ בו זמנית על לחצן הקירור המהיר ועל לחצן הגדרת הטמפרטורה של התא הרב-תכליתי במשך פרק זמן ממושך (3 שניות) כדי להפעיל תכונה זו.

לחץ על הלחצנים הרלוונטיים שוב כדי לבטל את הפונקציה הזאת.

**17. לחצן ביטול יצירת קרח**  
לעצירת תהליך יצירת הקרח, יש ללחוץ על לחצן ביטול יצירת הקרח במשך 3 שניות. כאשר בוחרים בביטול יצירת קרח, לא יעברו מים לתיבת הקרח. למרות זאת, ייתכן שישאר מעט קרח בתיבת הקרח, אשר ניתן להוציא משם. להפעלת תהליך יצירת הקרח מחדש, יש ללחוץ על לחצן ביטול יצירת הקרח במשך 3 שניות.

### **18. מחוון ביטול יצירת קרח**

אם אינך רוצה לקבל קרח מהמקרר, עליך להשתמש בפונקציה זו. תוכל להשתמש בפונקציה זו בלחיצה על לחצן ביטול יצירת הקרח במשך 3 שניות.

### **19. לחצן ביטול התראה להחלפת מסנן**

את המסנן במקרר יש להחליף פעם ב-6 חודשים. המקרר מחשב פרק זמן זה אוטומטית ומחוון ההתראה להחלפת המסנן יאיר עם חלוף זמן השימוש במסנן. לחץ על הלחצן ביטול ההתראה להחלפת מסנן במשך 3 שניות כדי לאפשר למקרר לחשב אוטומטית את זמן המסנן החדש לאחר החלפת המסנן.

### **20. מחוון ביטול התראה להחלפת מסנן**

עם חלוף זמן השימוש במסנן, מחוון ההתראה להחלפת מסנן מתחיל להאיר.

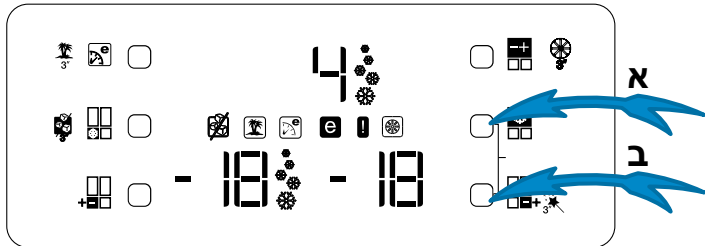
## **התראת דלת פתוחה:**

אם דלת תא הקירור או דלת התא הרב-תכליתי נשארות פתוחות במשך דקה אחת לפחות, יופעל ויישמע צליל התראת דלת פתוחה. לחץ על לחצן כלשהו במחוון או סגור את הדלת הפתוחה כדי להשתיק את צליל ההתראה.

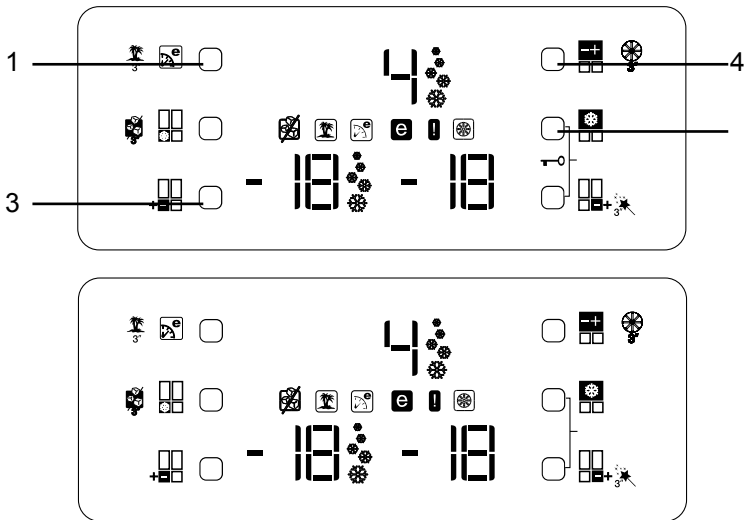
## פעולות שיש לבצע כדי שזמן השימוש במסנן יחושב אוטומטית

(למוצרים המחוברים לצינור המים הראשי ומצוידים במסנן)

1- לאחר חיבור המקרר לחשמל, לחץ בו זמנית על הלחצנים 'א' ו'ב' כדי להפעיל את נעילת המקשים.



2- לאחר מכן, לחץ על הלחצנים חיסכון נוסף (1), הגדרת הטמפרטורה בתא הקירור (4), קירור מהיר (5) והגדרת הטמפרטורה של תא ההקפאה (3) בהתאמה.



אם הלחצנים יילחצו בסדר הנכון, סמל נעילת המקשים יכבה, הזמזום יופעל ותוך זמן קצר ומחווון ההתראה לחלפת מסנן יאיר. לחץ על הלחצן ביטול ההתראה להחלפת מסנן (פריט 19 בתיאורי התצוגה) לאחר החלפת המסנן, כדי לאפשר חישוב אוטומטי של זמן השימוש במסנן החדש. ❶ אם זמן השימוש במסנן מחושב אוטומטית, מחווון ההתראה להחלפת מסנן יאיר מספר שניות לאחר חיבור המוצר לחשמל.

❶ חישוב אוטומטי של זמן השימוש במסנן אינו פעיל עם יציאת המקרר מהמפעל. יש להפעילו במקרים המצוידים במסנן.

❶ חזור על אותן פעולות במוצרים שבהם החישוב האוטומטי של זמן השימוש במסנן מופעל, כדי לבטל את הפעלת חישוב זמן השימוש במסנן.

## מגש ביצים

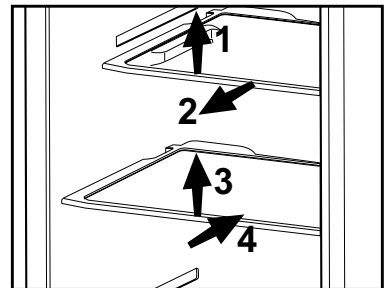
ניתן להתקין את המתקן לאחסון ביצים בדלת הרצויה במדף הרצוי בגוף המקרר. אין להתקין את המתקן לאחסון ביצים בתא ההקפאה.

## הזזת מדפי גוף המקרר

את מדפי גוף המקרר ניתן למשוך על ידי הרמתם מעט מקדימה ולהזיזם קדימה ואחורה. הם מגיעים לנקודת עצירה כאשר מושכים אותם קדימה כדי לאפשר לך להגיע למזון המונח בחלקו האחורי של המדף; כאשר מושכים את המדף לאחור הרמה קלה בנקודת העצירה השנייה, מדף גוף המקרר ייצא ממקומו.

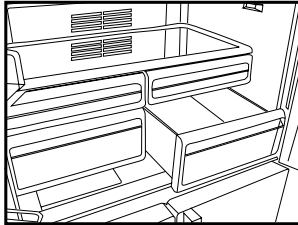
יש להחזיק את המדף היטב גם מתחתיתו כדי למנוע את התהפכותו. מדף גוף המקרר יוצב על המעקות שבצדי גוף המקרר על ידי הנמכתו או הגבהתו ברמה אחת.

יש לדחוף את מדף גוף המקרר כלפי חלקו האחורי של המקרר כדי שיתקבע במקומו לחלוטין.



## מגירת ירקות

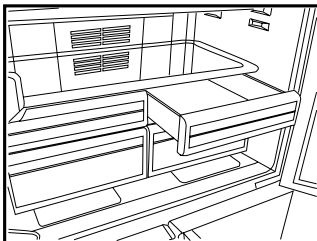
מגירת הירקות במקרר נועדה באופן מיוחד לשמור על הירקות טריים מבלי שיאבדו את הלחות שבהם. לשם כך, באופן כללי מתרחשת זרימת אוויר קר סביב מגירת הירקות. לפני הסרת מגירות הירקות, הסר את מדפי הדלת המיושרים לפי מגירות הירקות. ניתן להסיר את מגירות הירקות כפי שמודגם באיור.



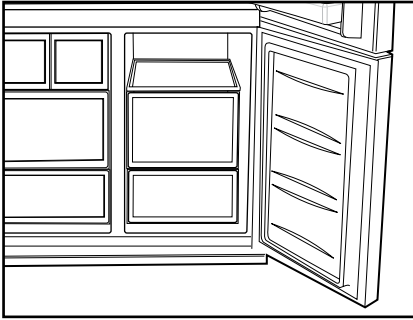
## תא קירור באפס מעלות

תאי הקירור באפס מעלות מאפשרים למזון המיועד להקפאה להיות מוכן להקפאה. תוכל גם להשתמש בתאים אלה לאחסון המזון שלך בטמפרטורה של מספר מעלות מתחת לטמפרטורה של תא הקירור.

תוכל להגדיל את הנפח הפנימי של המקרר שלך על ידי הסרת תאי הקירור באפס מעלות. לשם כך, משוך את התא לעברך; התא יישען על המגופה ויעצור. תא זה ישוחרר אם תרים אותו לגובה של כס"מ אחד ותמשוך אותו לעברך.



## חלק אמצעי נייד



**i** תכונת המעבר לתא הקירור או לתא ההקפאה מובטחת באמצעות גוף הקירור הממוקם בחלק הסגור (תא המדחס) שמאחורי המקרר. במהלך הפעלת גוף זה, ניתן לשמוע צלילים הדומים לצליל השניות הנשמע בשעון אנלוגי. זוהי תופעה רגילה ולא מדובר בתקלה.

החלק האמצעי הנייד נועד למנוע את בריחת האוויר הקר מתוך המקרר החוצה.

1- מובטח איטום כאשר אוטמי הדלת לוחצים על המשטח של החלק האמצעי הנייד בזמן שדלתות תא הקירור סגורות.

2- סיבה נוספת לכך שהמקרר מצויד בחלק אמצעי נייד היא הגדלת נפח תא הקירור. חלקים אמצעיים רגילים תופסים במקרר נפח שלא ניתן לניצול.

3- החלק האמצעי הנייד סגור אם הדלת השמאלית של תא הקירור סגורה.

4- אין לפתוח אותו ידנית. הוא נע לפי תנועת החלק הפלסטי שבגוף המקרר בזמן שהדלת סגורה.

## אור כחול

מצרכי מזון המאוחסנים במגירת הירקות המוארת באור כחול ממשיכים את תהליך הפוטוסינתזה שלהם בהשפעת אורך הגל של הצבע הכחול ובאמצעותם הם שומרים על טריות ומגדילים את תכולת הוויטמינים שלהם.



## תא אחסון רב-תכליתי

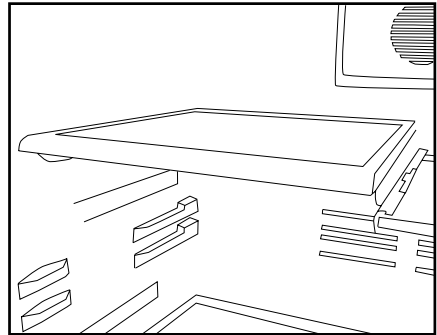
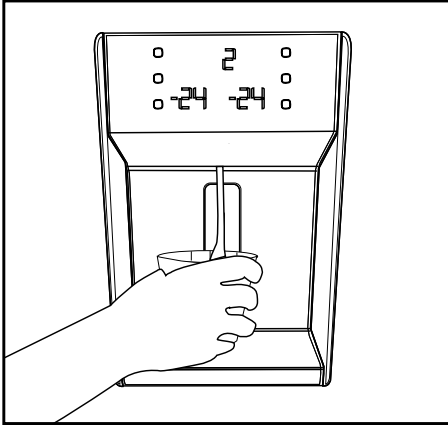
בתא האחסון הרב-תכליתי שבמקרר ניתן להשתמש בכל מצב רצוי על ידי כווננו לטמפרטורות מקרר (2/4/6/8 °C) או מקפוא (18/-20/-22/-24). תוכל לשמור את התא בטמפרטורה הרצויה באמצעות לחצן הגדרת הטמפרטורה של תא האחסון הרב-תכליתי.

את הטמפרטורה בתא האחסון הרב-תכליתי ניתן לקבוע ל-0 ול-10 מעלות בנוסף לטמפרטורות של תא הקירור ול-6 מעלות בנוסף לטמפרטורות תא ההקפאה. 0 מעלות משמשות לאחסון מעדנים לפרק זמן ממושך יותר, ו-6 מעלות משמשות לשמירת סוגי בשר שונים עד שבועיים בתנאים שניתן לחתוך אותם בקלות.

## שימוש במתקן המים אזהרות מגש גלישת מים

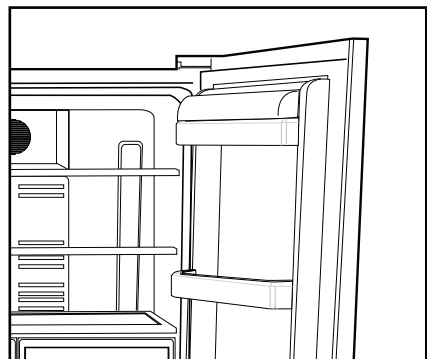
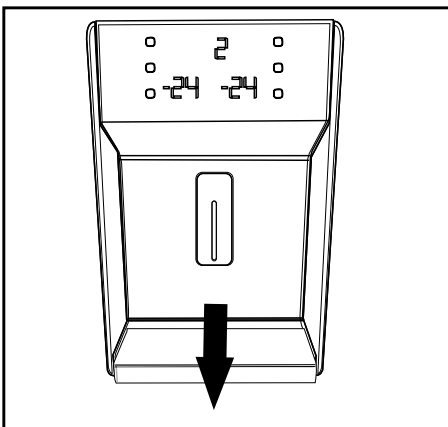
## הזזת מדפי גוף המקרר בעזרת מתלים אחוריים

את מדפי גוף המקרר ניתן להזיז קדימה ואחורה בעזרת מתלים אחוריים. ניתן לכוונן את גובה המדפים האלה על ידי הסרתם והרכבתם שוב במקומות גבוהים או נמוכים יותר. הגבה את המדף מעט ומשוך אותו לעברך כדי להסירו.



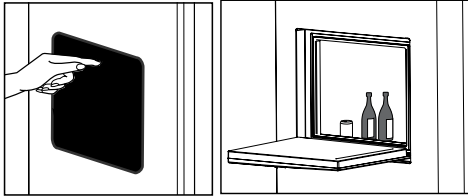
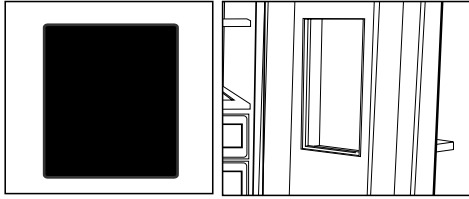
## מדף לחמאה ולגבינה

ניתן לאחסן מזון כמו חמאה, גבינה צהובה ומרגרינה במדף זה שיש לו מכסה.



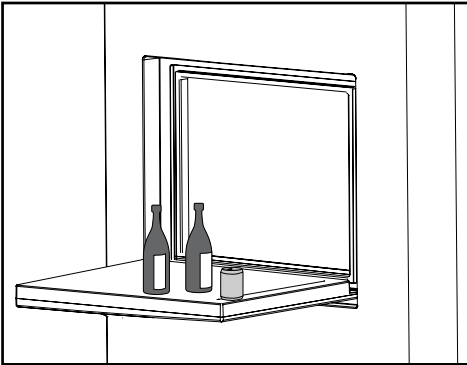
## מיני בר

דלת המיני בר מבטיחה נוחות נוספת בעת השימוש במקרר. ניתן להגיע אל מדף הדלת במקרר מבלי לפתוח את דלת המקרר; בזכות תכונה זו תוכל להוציא בקלות מהמקרר את המזון והמשקאות שאתה צורך בתדירות גבוהה. מאחר שאינך חייב לפתוח את דלת המקרר בתדירות גבוהה, צריכת החשמל של המקרר תרד.

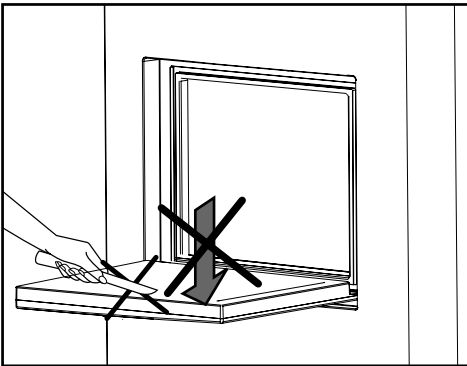


לפתיחת דלת המיני בר, לחץ בידך על המיני בר ומשוך אותו חזרה כדי לפתוח אותו.

כאשר דלת המיני בר פתוחה, תוכל להשתמש במשטח הפנימי של הדלת כשולחן שבו תוכל להניח את הבקבוקים והכוסות לפרק זמן קצר כפי שמודגם באיור.



⚠️ זהירות: אין לעשות דבר שעלול להפעיל לחץ על הדלת, כמו לשבת עליה, לטפס עליה, להיתלות על השולחן ואין להניח עליה חפצים כבדים, כדי לא לגרום נזק למקרר או נזק גופני. ⚠️ זהירות: אין לבצע חיתוכים על דלת המיני בר ויש להיזהר שלא לגרום נזק לדלת באמצעות חפצים חדים.



## הגנה על משטחי פלסטיק

① אין להניח במקרר שמן נוזלי או ארוחות שבושלו בשמן במיכלים בלתי אטומים, מכיוון שהם עלולים לגרום נזק למשטחי הפלסטיק שבמקרר. אם נשפך או נמרח שמן על משטחי הפלסטיק, נקה ושטוף מייד את החלק המתאים של המשטח במים חמים.

- ⚠ אין להשתמש בבנזין, בבנזן או בחומרים דומים למטרות ניקוי.
- ⚠ מומלץ לנתק את המקרר מהחשמל לפני הניקוי.
- ① אין להשתמש במכשירים חדים או בחומרי ניקוי הגורמים לשריטות, בסבון, בתכשירי ניקוי לבית, בחומרי ניקוי שונים ובחומרי הברקה עם שעווה.
- ① השתמש במים פושרים לניקוי החלק החיצוני של המקרר ונגב אותו.
- ① השתמש במטלית לחה וסחוטת, שנטבלה בתמיסת סודה לשתייה ביחס של כפית אחת של סודה לכחצי ליטר מים, כדי לנקות את החלק הפנימי של המכשיר ולנגבו.
- ⚠ ודא שלא חודרים מים לתושבת הנורה ולפריטים חשמליים אחרים.
- ⚠ אם אין כוונה להשתמש במכשיר לתקופה ארוכה, כבה אותו, הסר ממנו את כל המזון, נקה אותו והשאיר את הדלת פתוחה במקצת.
- ① בדוק בקביעות את אטמי הדלת כדי לוודא שהם נקיים ושלא נדבקו אליהם חלקיקי מזון.
- ⚠ להסרת מגש מהדלת, רוקן את תכולתו ודחוף את מגש הדלת כלפי מעלה מבסיסו.



שנ רשימה זו לפני שתקרא לנציג שירות. היא עשויה לחסוך לך זמן וכסף. רשימה זו כוללת תלונות נפוצות שאינן נובעות מפגמים בייצור המקרר או משימוש לקוי בחומרים. ייתכן שכמה מהתכונות המתוארות כאן לא יהיו קיימות במוצר שלך.

<b>המקרר אינו פועל.</b>
<ul style="list-style-type: none"> <li>• האם המקרר מחובר לחשמל כראוי? הכנס את התקע לשקע החשמל.</li> <li>• האם הנת"ך של השקע שאליו מחובר המקרר או הנת"ך הראשי נשרפו? בדוק את הנת"ך.</li> </ul>
<b>התעבות בדופן הצדית של תא הקירור (אזור רב-תכליתי, בקרת קור ואזור גמיש).</b>
<ul style="list-style-type: none"> <li>• תנאי סביבה קרים מאוד. פתיחות וסגירות תכופות של הדלת. לחות גבוהה בסביבת החדר. אחסון מזון המכיל נוזלים במכלים פתוחים. השארת הדלת פתוחה במקצת. כיוון התרמוסטט לדרגה קרה יותר.</li> <li>• קיצור הזמן שבו הדלת תישאר פתוחה או שימוש בדלת לעתים רחוקות יותר.</li> <li>• כיסוי המזון המאוחסן במכלים הפתוחים בחומר מתאים.</li> <li>• נגב את הלחות המתעבה בעזרת מטלית לחה ובדוק התופעה נמשכת.</li> </ul>
<b>המדחס אינו פועל</b>
<ul style="list-style-type: none"> <li>• מערכת ההגנה התרמית של המדחס תכבה במהלך תקלות פתאומיות בחשמל או כאשר מוציאים את שקע החשמל ומכניסים אותו חזרה למקומו, מאחר שלחץ חומרי הקירור במערכת הקירור של המקרר לא הספיקו להתאזן. המקרר יתחיל לפעול כעבור כ-6 דקות. אם המקרר אינו מתחיל לפעול עם תום פרק זמן זה, קרא לנציג שירות.</li> <li>• המקרר נמצא במצב הפשרה. תופעה זו היא רגילה במקרר בעל יכולת הפשרה אוטומטית מלאה. מצב ההפשרה מתרחש מפעם לפעם.</li> <li>• המקרר אינו מחובר לחשמל. ודא שהתקע הוכנס כראוי לשקע.</li> <li>• האם התבצעו כונוני הטמפרטורה בצורה נכונה?</li> <li>• ייתכן שיש הפסקת חשמל.</li> </ul>

<p><b>המקרה פועל לעתים תכופות או לפרק זמן ממושך.</b></p> <ul style="list-style-type: none"> <li>• ייתכן שהמקרה החדש רחב יותר מהמקרה הקודם. זוהי תופעה רגילה. מקררים גדולים פועלים במשך תקופה ארוכה יותר.</li> <li>• טמפרטורת החדר עלולה להיות גבוהה. זוהי תופעה רגילה.</li> <li>• ייתכן שהמקרה חובר לאחרונה לחשמל או שהועמס בו מזון. קירור המקרה לחלוטין עשוי להימשך כשעתיים.</li> <li>• ייתכן שהונחו לאחרונה במקרה כמויות גדולות של מזון חם. מזון חם גורם להתארכות פעולת המקרה עד שהוא מגיע לטמפרטורת האחסון הבטוחה.</li> <li>• ייתכן שהדלתות נפתחות לעתים תכופות או שנשארו פתוחות מעט משך זמן רב. האוויר החם שנכנס למקרר גורם למקרר לפעול פרקי זמן ממושכים יותר. פתח את הדלתות לעתים רחוקות יותר.</li> <li>• ייתכן שדלת תא ההקפאה או דלת תא הקירור נשארו פתוחות מעט. בדוק אם הדלתות סגורות הרמטית.</li> <li>• המקרה מכוון לדרגת קור נמוכה מאוד. כוון את טמפרטורת המקרה לדרגה גבוהה יותר והמתן עד שתושג הטמפרטורה הרצויה.</li> <li>• ייתכן שאטם דלת המקרה או דלת המקפיא מלוכלך, שחוק, קרוע או שזז ממקומו. נקה או החלף את האטם. אטם פגום/שבור גורם למקרר לפעול זמן ממושך יותר כדי לשמור על הטמפרטורה הנוכחית.</li> </ul>
<p><b>טמפרטורת המקפיא נמוכה מאוד ואילו טמפרטורת המקרה מספקת.</b></p> <ul style="list-style-type: none"> <li>• טמפרטורת המקפיא מכווננת לדרגת קור נמוכה מאוד. כוון את טמפרטורת המקפיא לרמה גבוהה יותר ובדוק.</li> </ul>
<p><b>טמפרטורת המקרה נמוכה מאוד ואילו טמפרטורת המקפיא מספקת.</b></p> <ul style="list-style-type: none"> <li>• ייתכן שטמפרטורת המקרה מכווננת לדרגת קור נמוכה מאוד. כוון את טמפרטורת המקרה לרמה גבוהה יותר ובדוק.</li> </ul>
<p><b>המזון המאוחסן במגירות תא הקירור קופא.</b></p> <ul style="list-style-type: none"> <li>• ייתכן שטמפרטורת המקרה מכווננת לדרגת קור נמוכה מאוד. כוון את טמפרטורת המקרה לרמה גבוהה יותר ובדוק.</li> </ul>
<p><b>הטמפרטורה במקרה או במקפיא גבוהה מאוד.</b></p> <ul style="list-style-type: none"> <li>• ייתכן שטמפרטורת המקרה מכווננת לדרגת קור גבוהה מאוד. כוון המקרה משפיע על טמפרטורת המקפיא. שנה את טמפרטורת המקרה או המקפיא עד שהיא תגיע לדרגה מספקת.</li> <li>• ייתכן שהדלתות נפתחות לעתים תכופות או שנשארו פתוחות מעט משך זמן רב. אל תפתח אותן לעתים קרובות.</li> <li>• ייתכן שהדלת נשארה פתוחה מעט; סגור אותה לחלוטין.</li> <li>• ייתכן שהונחה לאחרונה במקרה כמות גדולה של מזון חם. המתן עד שמהקרה או המקפיא יגיעו לטמפרטורה הרצויה.</li> <li>• ייתכן שהמקרה חובר לאחרונה לחשמל. קירור המקרה לחלוטין נמשך לאורך זמן.</li> </ul>

רעש פעולת המקרר מוגבר כאשר המקרר פועל.
<ul style="list-style-type: none"> <li>ביצועי הפעלת המקרר עשויים להשתנות עקב השינויים בטמפרטורת הסביבה. זוהי תופעה רגילה; אין כאן תקלה.</li> </ul>
רטט או רעש
<ul style="list-style-type: none"> <li>הרצפה אינה ישרה או שהיא חלשה. המקרר מתנענע כאשר מזיזים אותו לאט. ודא שהרצפה חזקה במידה מספקת המסוגלת לשאת את משקל המקרר; כמו כן, ודא שהיא ישרה.</li> <li>ייתכן שמקור הרעש הוא בפריטים המונחים על המקרר. יש להסיר חפצים המונחים על גג המקרר.</li> </ul>
נשמעים רעשים, המגיעים מתוך המקרר, הדומים לשפיכת נוזלים או התזתם.
<ul style="list-style-type: none"> <li>זרימת נוזלים וגז מתרחשת בהתאם לעקרונות ההפעלה של המקרר. זוהי תופעה רגילה; אין כאן תקלה.</li> </ul>
נשמע רעש הדומה למשב רוח.
<ul style="list-style-type: none"> <li>משתמשים במאווררים כדי לאפשר למקרר להתקרר. זוהי תופעה רגילה; אין כאן תקלה.</li> </ul>
התעבות בדפנות הפנימיות של המקרר.
<ul style="list-style-type: none"> <li>מזג אוויר חם ולח מגביר את הצטברות הקרח ואת ההתעבות. זוהי תופעה רגילה; אין כאן תקלה.</li> <li>ייתכן שהדלתות נשארו פתוחות מעט; ודא שהדלתות סגורות לחלוטין.</li> <li>ייתכן שהדלתות נפתחות לעתים תכופות או שנשארו פתוחות מעט משך זמן רב. אל תפתח אותן לעתים קרובות.</li> </ul>
לחות מצטברת בחלקו החיצוני של המקרר או בין הדלתות.
<ul style="list-style-type: none"> <li>ייתכן שקיימת לחות באוויר; זוהי תופעה די רגילה במזג אוויר לח. כאשר הלחות יורדת ההתעבות נעלמת.</li> </ul>
ריח רע במקרר.
<ul style="list-style-type: none"> <li>יש לנקות את המקרר מבפנים. נקה את פנים המקרר בספוגית, מים פושרים או מי סודה.</li> <li>ייתכן שחלק מהמכלים או מחומרי האריזה גורמים לריח. השתמש במכל אחר או בחומרי אריזה של יצרן אחר.</li> </ul>
הדלת אינה נסגרת.
<ul style="list-style-type: none"> <li>אריזות המזון עלולות למנוע את סגירת הדלת. שנה את מקומן של האריזות שמפריעות לסגור את הדלת.</li> <li>המקרר אינו ניצב על הרצפה בצורה אנכית לגמרי והוא מתנענע בכל פעם שמזיזים אותו מעט. כוונן את בורגי ההגבהה.</li> <li>הרצפה אינה ישרה או חזקה. ודא שהרצפה ישרה ומסוגלת לשאת את משקל המקרר.</li> </ul>
המגירות לירקות נתקעות.
<ul style="list-style-type: none"> <li>ייתכן שהמזון נוגע בתקרת המגירה. ארגן מחדש את המזון במגירה.</li> </ul>

48 8945 0000/AA  
EN-HE

## Free Manuals Download Website

<http://myh66.com>

<http://usermanuals.us>

<http://www.somanuals.com>

<http://www.4manuals.cc>

<http://www.manual-lib.com>

<http://www.404manual.com>

<http://www.luxmanual.com>

<http://aubethermostatmanual.com>

Golf course search by state

<http://golfingnear.com>

Email search by domain

<http://emailbydomain.com>

Auto manuals search

<http://auto.somanuals.com>

TV manuals search

<http://tv.somanuals.com>