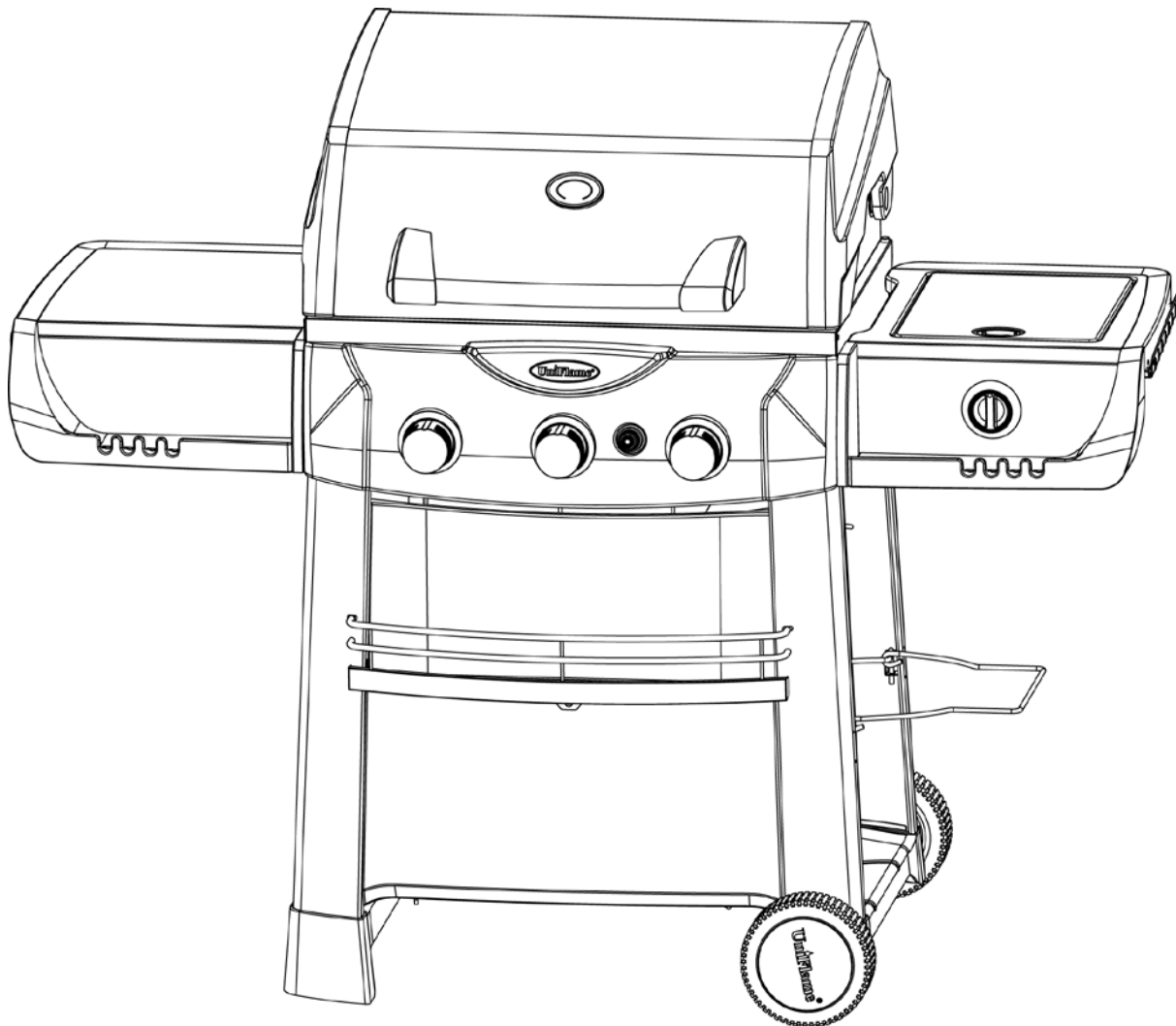


Outdoor LP Gas Barbecue Grill

Model No. GBC831WB



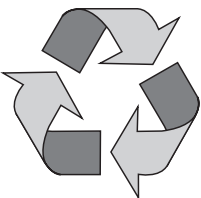
WARNING
FOR YOUR SAFETY:

For Outdoor Use Only
(outside any enclosure)

WARNING
FOR YOUR SAFETY:

1. Improper installation, adjustment, alteration, service or maintenance can cause injury or property damage.
2. Read the installation, operation, and maintenance instructions thoroughly before installing or servicing this equipment.
3. Failure to follow these instructions could result in fire or explosion, which could cause property damage, personal injury, or death.

Save these instructions for future reference. If you are assembling this unit for someone else, give this manual to him or her to read and save for future reference.



Made from 70% Bagasse
(Environmentally Friendly Sugar
Cane Pulp By-product)



Table of Contents	
Important Safeguards	Page 2
Exploded View & Hardware	3
Assembly Instructions	4
Instalilling LP Gas Tank	8
Insert LP Gas Tank	8
Secure LP Gas Tank	8
Connect LP Gas Tank	8
Operating Instructions	9
Checking for Leaks	9
Operating Main Burners	9
Operating Side Burner	9
Cleaning and Care	10
Product Registration	10
Limited Warranty	11
Troubleshooting	12

The use and installation of this product must conform to local codes. In absence of local codes, use the *National Fuel Gas Code, ANSI Z223.1/NFPA 54, CAN/CGA-B149.1, Natural Gas and Propane Installation Code.*

California Proposition 65: Chemicals known to the State of California to cause cancer, birth defects, or other reproductive harm are created by the combustion of propane.

Manufactured in China for:
Blue Rhino Global Sourcing, Inc
Winston-Salem, NC USA
1.800.762.1142, www.bluerhino.com

© 2007 Blue Rhino Global Sourcing, Inc. All Rights Reserved
UniFlame® is a Registered Trademark of Blue Rhino Global Sourcing, Inc.. All Rights Reserved.


DANGER

If you smell gas -

1. Shut off gas to appliance.
2. Extinguish any open flame.
3. Open lid.
4. If odor continues, keep away from the appliance and immediately call your gas supplier or your fire department.


**WARNING
FOR YOUR SAFETY**

1. Do not store or use gasoline or other flammable liquids or vapors in the vicinity of this or any other appliance.
2. An LP cylinder not connected for use shall not be stored in the vicinity of this or any other appliance.

▲ DANGER: Failure to follow the dangers, warning and cautions in this manual may result in serious bodily injury or death, or in a fire or an explosion causing damage to property.

▲ WARNING:

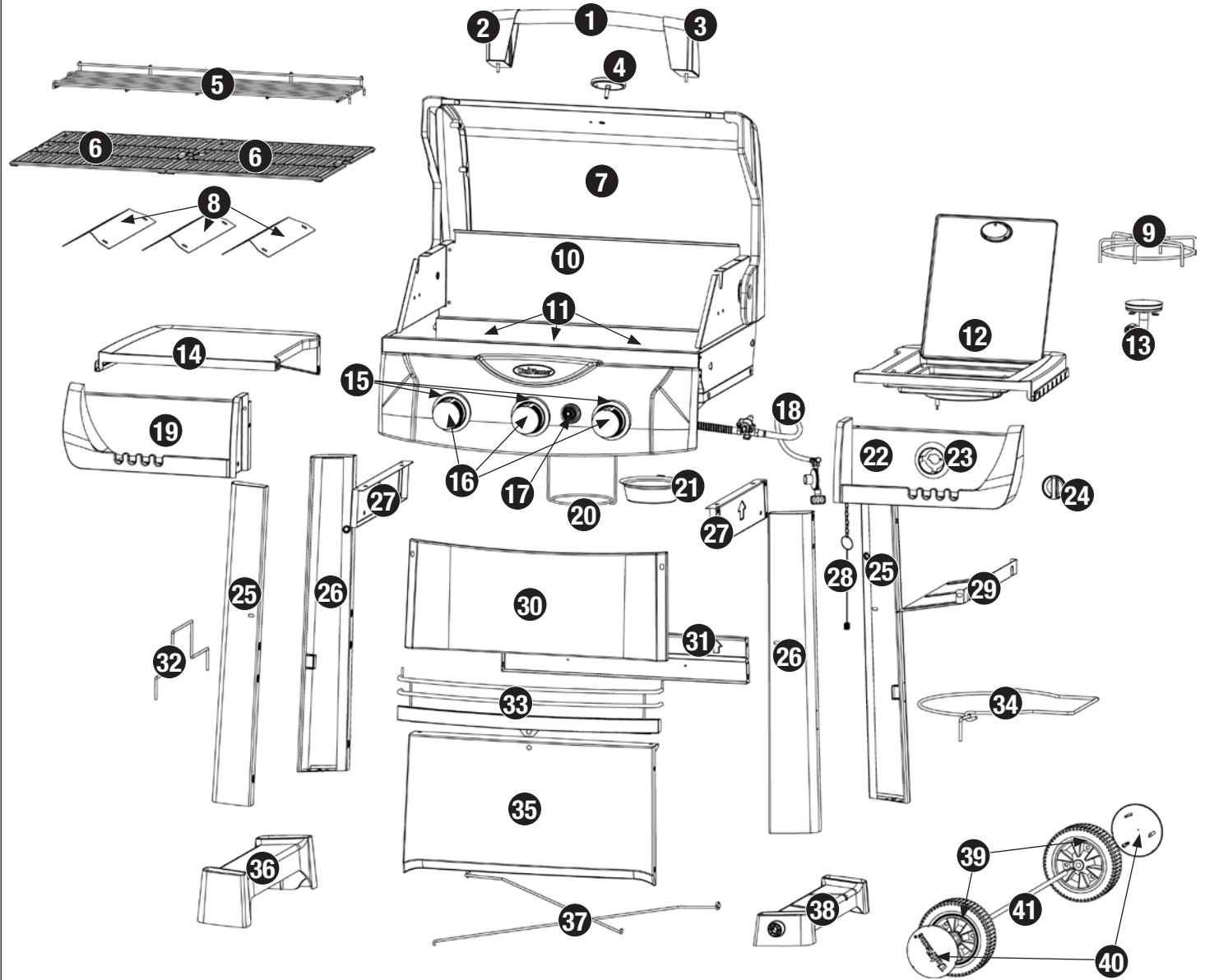
- ▲ This grill is for outdoor use only, and shall not be used in a building, garage, or any other enclosed area.
- ▲ Do NOT operate, light or use this appliance within 8 feet of walls, structures or buildings.
- ▲ This grill is NOT for commercial use.
- ▲ This grill is for use with liquid propane (LP) gas only. The conversion to or attempted use of natural gas in this LP gas grill is dangerous and will void your warranty.
- ▲ LP gas Characteristics:
 - a. LP gas is flammable and hazardous if handled improperly. Become aware of the characteristics before using any LP gas product.
 - b. LP gas is explosive under pressure, heavier than air, and settles and pools in low areas.
 - c. LP gas in its natural state has no odor. For your safety, an odorant is added that smells like rotten cabbage.
 - d. Contact with LP gas can cause freeze burns to skin.
- ▲ LP gas tank needed to operate. Only tanks marked "propane" may be used.
- ▲ The LP gas supply tank must be constructed and marked in accordance with the *Specifications for LP gas Cylinders of the U.S. Department of Transportation (DOT) or the National Standard of Canada, CAN/CSA-B339, Cylinders, Spheres and Tubes for the Transportation of Dangerous Goods; and Commission.*
- ▲ LP gas tank must be arranged for vapor withdrawal.
- ▲ The LP gas tank must have a listed overfilling prevention device (OPD).
- ▲ Only use 20-pound cylinders equipped with a cylinder connection device compatible with the connection for outdoor cooking appliances.
- ▲ The LP gas tank must have a tank collar to protect the tank valve.
- ▲ Never use an LP gas tank with a damaged body, valve, collar, or footing.
- ▲ Dented or rusted LP gas tanks may be hazardous and should be checked by your LP gas supplier prior to use.
- ▲ The LP gas tank should not be dropped or handled roughly.
- ▲ Tanks must be stored outdoors out of the reach of children and must not be stored in a building, garage, or any other enclosed area. Your tank must never be stored where temperatures can reach over 125°F.
- ▲ Never keep a filled LP gas tank in a hot car or car trunk. Heat will cause the gas pressure to increase, which may open the relief valve and allow gas to escape.
- ▲ Place dust cap on cylinder valve outlet whenever the cylinder is not in use. Only install the type of dust cap on the cylinder valve outlet that is provided with the cylinder valve. Other types of caps or plugs may result in leakage of propane.
- ▲ Do not store a spare LP gas tank under or near this appliance.
- ▲ Never fill the tank beyond 80 percent full.
- ▲ A fire causing, serious injury or damage to property may occur if the above is not followed exactly.
- ▲ Never attempt to attach this grill to the self-contained LP gas system of a camper trailer, motor home, or house.
- ▲ The use of alcohol, or prescription or non-prescription drugs may impair the consumer's ability to properly assemble or safely operate the appliance.
- ▲ Never use charcoal, lighter fluid, lava rocks, gasoline, kerosene, or alcohol with this product.
- ▲ Your grill has been checked at all factory connections for leaks. Recheck all connections as described in the "Operating Instructions" section of the manual, as movement in shipping can loosen connections.
- ▲ Check for leaks even if your unit was assembled for you by someone else.
- ▲ Do not operate if gas leak is present. Gas leaks may cause a fire or explosion.
- ▲ You must follow all leak-checking procedures before operating. To prevent fire or explosion hazard when testing for a leak:
 - a. Always perform leak test before lighting the grill and each time the tank is connected for use.
 - b. No smoking. Do not use or permit sources of ignition in the area while conducting a leak test.
 - c. Conduct the leak test outdoors in a well-ventilated area.
 - d. Do not use matches, lighters, or a flame to check for leaks.
 - e. Do not use grill until any and all leaks are corrected. If you are unable to stop a leak, disconnect the LP gas supply. Call a gas appliance serviceman or your local LP gas supplier.
- ▲ Do not store or use gasoline or other flammable liquids or vapors within 25 feet (7.62 m) of this appliance.
- ▲ Do not use in an explosive atmosphere. Keep grill area clear and free from combustible materials, gasoline and other flammable vapors and liquids.
- ▲ Minimum clearance from sides and back of unit to combustible construction, 21 inches from side and 21 inches from back. Do not use this appliance under overhead combustible surfaces.
- ▲ It is essential to keep the grill's valve compartment, burners, and circulating air passages clean. Inspect grill before each use.
- ▲ Do not alter grill in any manner.
- ▲ Do not use the grill unless it is COMPLETELY assembled and all parts are securely fastened and tightened.
- ▲ This grill should be thoroughly cleaned and inspected on a regular basis. Clean and inspect the hose before each use of the appliance. If there is evidence of abrasion, wear, cuts, or leaks, the hose must be replaced prior to the appliance being put into operation.
- ▲ Use only the regulator and hose assembly provided. The replacement regulator and hose assembly shall be that specified by the manufacturer.
- ▲ Use only Blue Rhino Global Sourcing, Inc. factory authorized parts. The use of any part that is not factory authorized can be dangerous. This will also void your warranty.
- ▲ Do not use this appliance without reading "Operating Instructions" in this manual.
- ▲ Do not touch metal parts of grill until it has completely cooled (about 45 min.) to avoid burns, unless you are wearing protective gear (pot holders, gloves, BBQ mittens, etc.).
- ▲ When cooking, fire extinguishing materials shall be readily accessible. In the event of an oil grease fire, do not attempt to extinguish with water. Use type BC dry chemical fire extinguisher or smother with dirt, sand or baking soda.
- ▲ Do not install or use in or on boats or recreational vehicles.
- ▲ Do not use grill in high winds.
- ▲ Never lean over the grill when lighting.
- ▲ Do not leave a lit grill unattended, especially keep children and pets away from grill at all times.
- ▲ Do not attempt to move grill when in use. Allow the grill to cool before moving or storing.
- ▲ Storage of grill indoors is permissible only if the tank is disconnected, removed from the grill and properly stored outdoors.
- ▲ Always open grill lid carefully and slowly as heat and steam trapped within grill can severely burn you.
- ▲ Do not attempt to disconnect the gas regulator from the tank or any gas fitting while the grill is in use.
- ▲ Always place your grill on a hard non-combustible, level surface. An asphalt or blacktop surface may not be acceptable for this purpose.
- ▲ Move gas hoses as far away as possible from hot surfaces and dripping hot grease.
- ▲ Keep all electrical cords away from a hot grill.
- ▲ Do not use grill for indoor cooking or heating. TOXIC fumes can accumulate and cause asphyxiation.
- ▲ After a period of storage and/or nonuse, check for leaks, burner obstructions and inspect for any abrasion, wear, cuts to the hose.
- ▲ Failure to open lid while igniting the grill's burners, or not waiting 5 minutes to allow the gas to clear if the grill does not light, may result in an explosive flame-up.
- ▲ If grill is not in use, the gas must be turned off at the supply tank.
- ▲ Never operate grill without heat plates installed.
- ▲ Always use a meat thermometer to ensure food is cooked to a safe temperature.
- ▲ Please use protective gloves when assembling this product.
- ▲ Do not force parts together as this can result in personal injury or damage to the product.
- ▲ Never cover entire cooking area with aluminum foil.
- ▲ Deaths, serious injury or damage to property may occur if the above is not followed exactly.

Contact 1.800.762.1142 for assistance. Do not return to place of purchase.

Parts List

1	Lid Handle Bar	55-08-115
2	Left Lid Handle Support	55-08-116
3	Right Lid Handle Support	55-08-117
4	Temperature Gauge	55-15-207
5	Warming Rack	55-08-118
6	Cooking Grid (2)	55-08-119
7	Lid	55-08-120
8	Heat Plate (3)	55-08-121
9	Side Burner Grid	55-15-199
10	Grill Body Assembly	55-08-122
11	Main Burner (3)	55-07-371
12	Right Side Shelf	55-08-123
13	Side Burner	55-08-124
14	Left Side Shelf	55-08-125
15	Main Burner Control Knob Support (3)	55-08-126
16	Main Burner Control Knob (3)	55-08-127
17	Igniter Button	55-07-387
18	Regulator/Hose Assembly	55-08-128
19	Left Side Shelf Front Panel	55-08-129
20	Grease Cup Support	55-07-379
21	Grease Cup	55-08-130
22	Right Side Shelf Front Panel	55-08-131
23	Side Burner Control Knob Support	55-08-132
24	Side Burner Control Knob	55-08-133
25	Leg A (2)	55-08-134
26	Leg B (2)	55-08-135
27	Cart Frame Support (2)	55-08-136
28	Lighting Rod	55-07-396
29	LP Gas Tank Heat Plate	55-08-137
30	Top Front Panel	55-08-138
31	Rear Cart Frame Support	55-08-139
32	Cart Frame Support Wire A	55-08-140
33	Front Condiment Basket	55-08-141

Exploded View

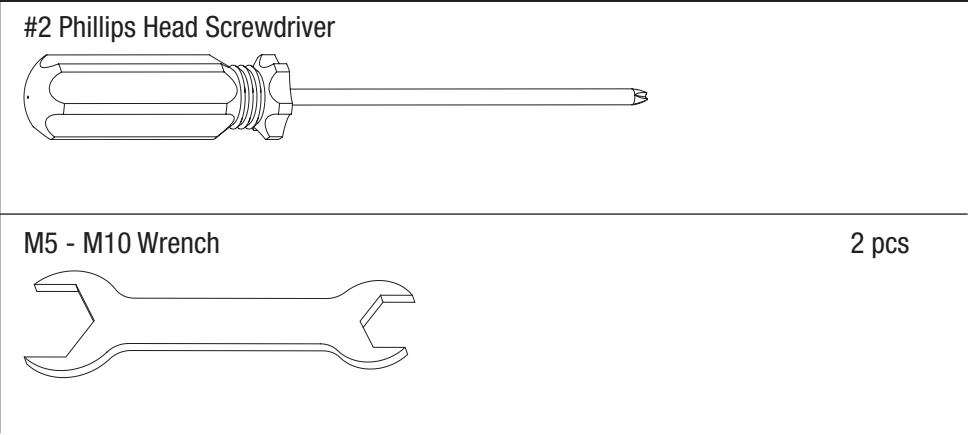


34	LP Gas Tank Retainer Wire	55-08-142
35	Bottom Front Panel	55-08-143
36	Left Foot Assembly	55-08-144
37	Cart Frame Support Wire B (2)	55-08-145
38	Right Foot Assembly	55-08-146
39	Wheel (2)	55-15-211
40	Hub Cap (2)	55-15-170
41	Axle	55-08-147

Hardware

A	Screw	M4x10 Nickel Plated Phillips Truss Head	4 pcs
B	Screw	M6x16 Nickel Plated Phillips Truss Head	46 pcs
C	Screw	M6x25 Nickel Plated Phillips Truss Head	2 pcs
D	Nut	M5 Zinc Plated	4 pcs
E	Nut	M10 Zinc Plated	2 pcs
F	Wing Nut	M6 Steel	6 pcs
G	Washer	ø6.4 Nickel Plated	20 pcs
H	Lock Washer	ø6.4 Nickel Plated	18 pcs
I	AA Battery		1 pc

Tools Required for Assembly (Included)



Assembly Instructions

1 DO NOT RETURN PRODUCT TO STORE.

For assistance call **1.800.762.1142** toll free. Please have your owner's manual and serial number available for reference.

Note: The serial number can be found on the back of the cart assembly.

For Easiest Assembly:

- To avoid losing any small components or hardware, assemble your product on a hard level surface that does not have cracks or openings.
- Clear an area large enough to layout all components and hardware.
- When applicable, tighten all hardware connections by hand first. Once the step is completed go back and fully tighten all hardware.
- Follow all steps in order to properly assemble your product.

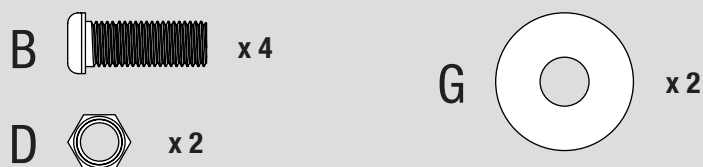
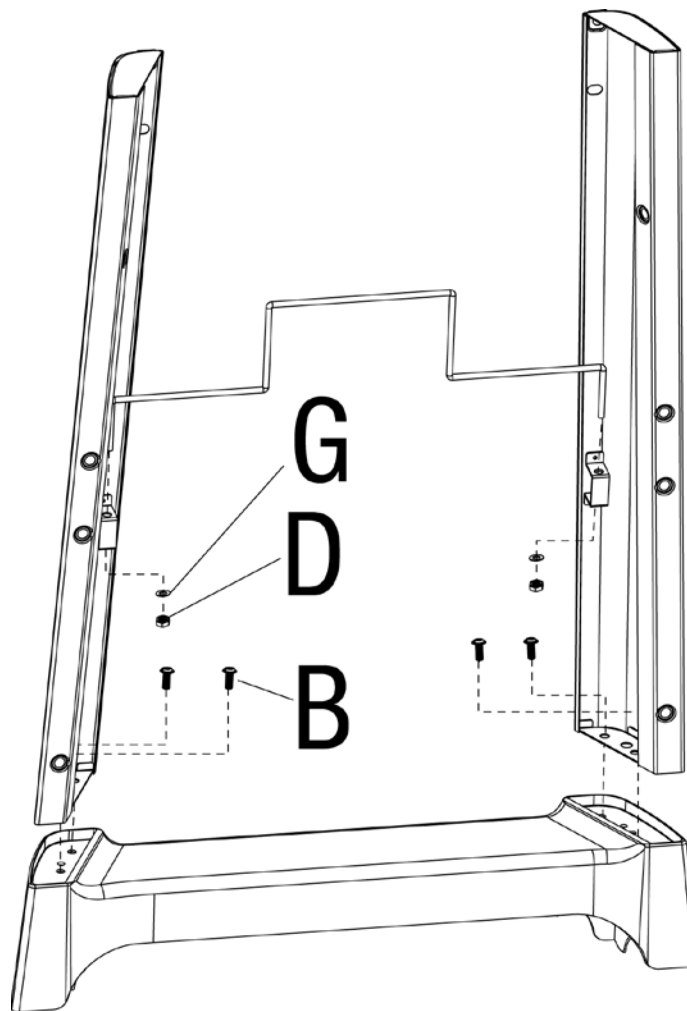
To complete assembly you will need:

- (1) Leak Detection Solution (Instructions on how to make solution are included in the "Operating Instructions" section of this manual)
- (1) Precision Filled LP Gas Grill Tank with Acme Type 1 external threaded valve connection (4-5 gallon size)

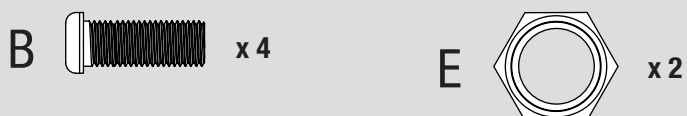
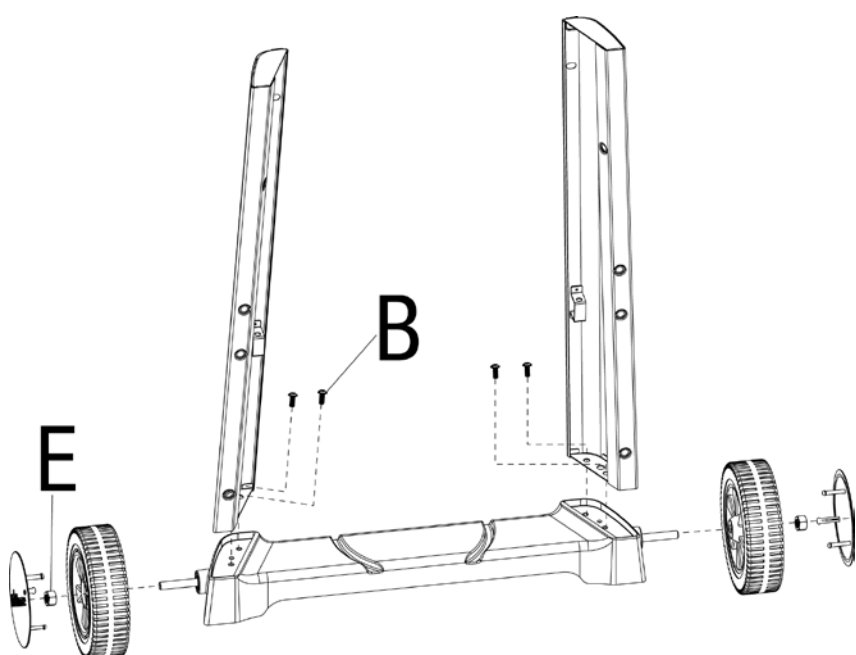
Note: You must follow all steps to properly assemble the grill.

Typical assembly: approximately 1 (one) hour.

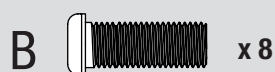
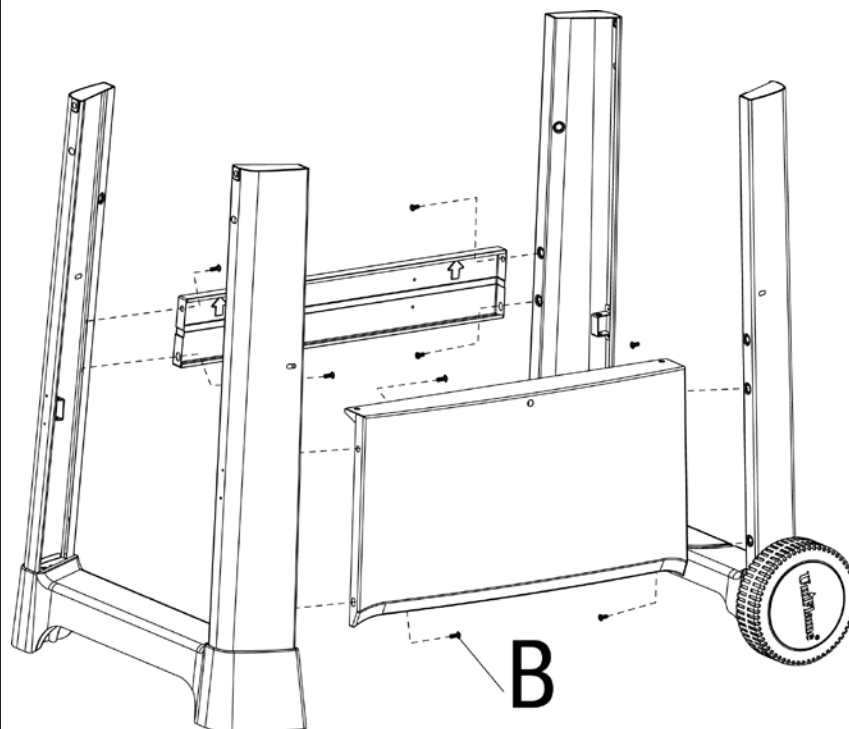
2 Assemble Left Cart Frame



3 Assemble Right Cart Frame



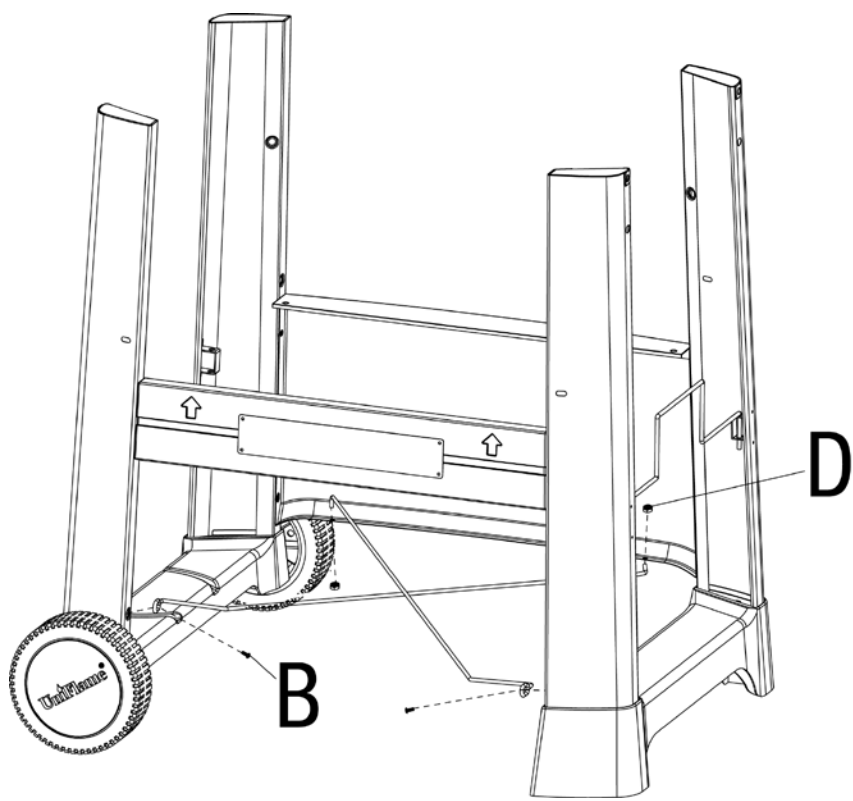
4 Assemble Cart

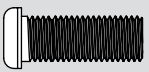



Contact 1.800.762.1142 for assistance. Do not return to place of purchase.

5

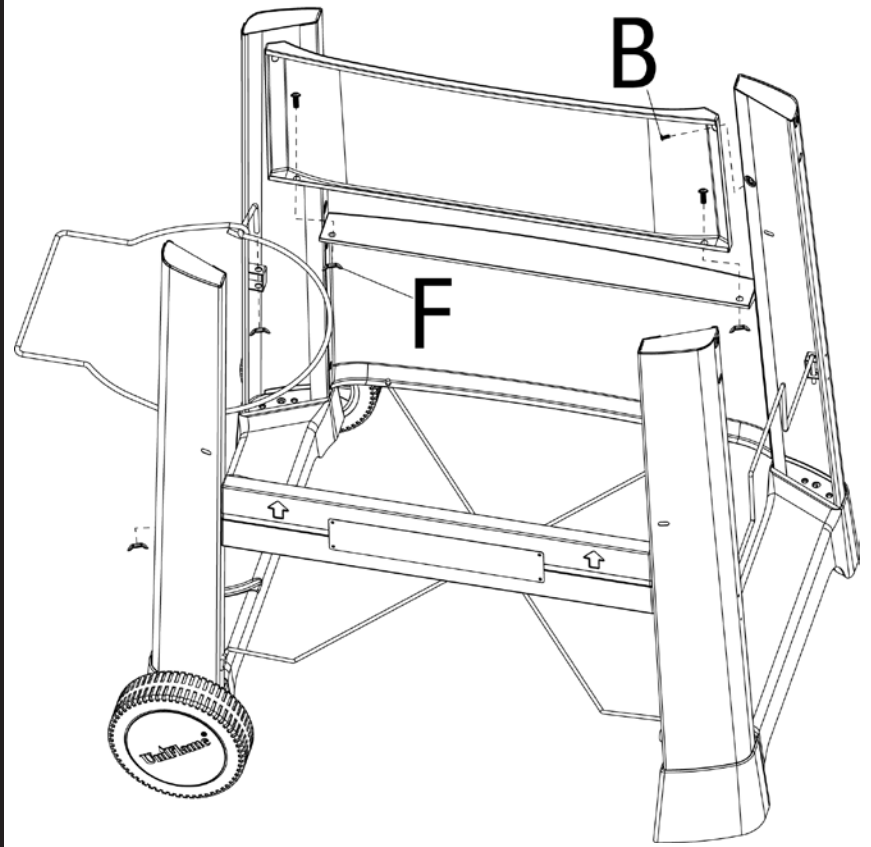
Attach Cart Frame Support Wires



B  x 2 D  x 2

6

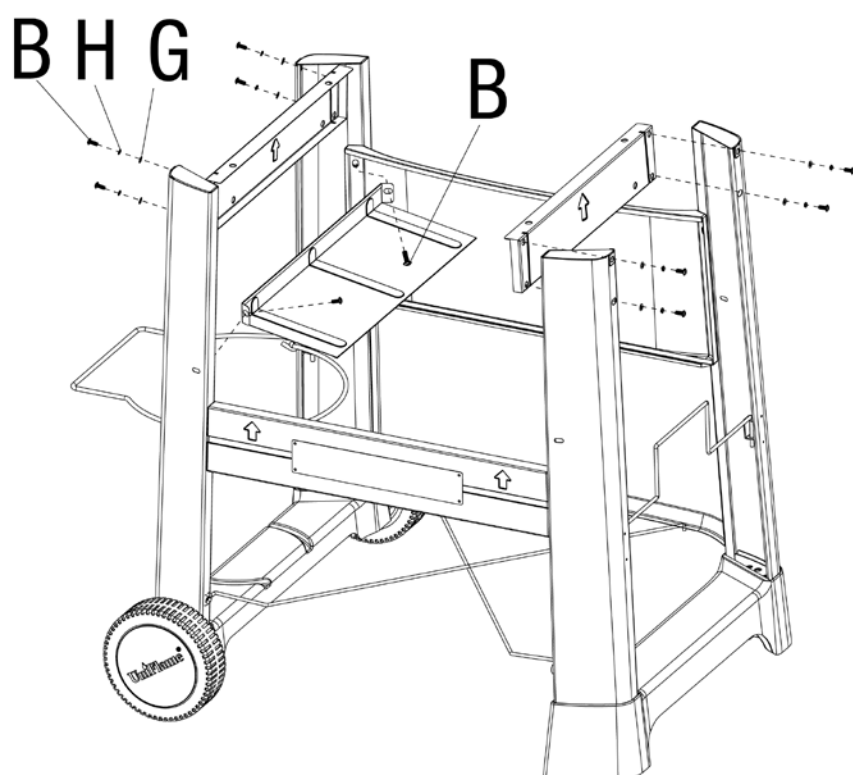
Attach Top Front Panel and LP Gas Tank Retainer Wire



B  x 3 F  x 4

7

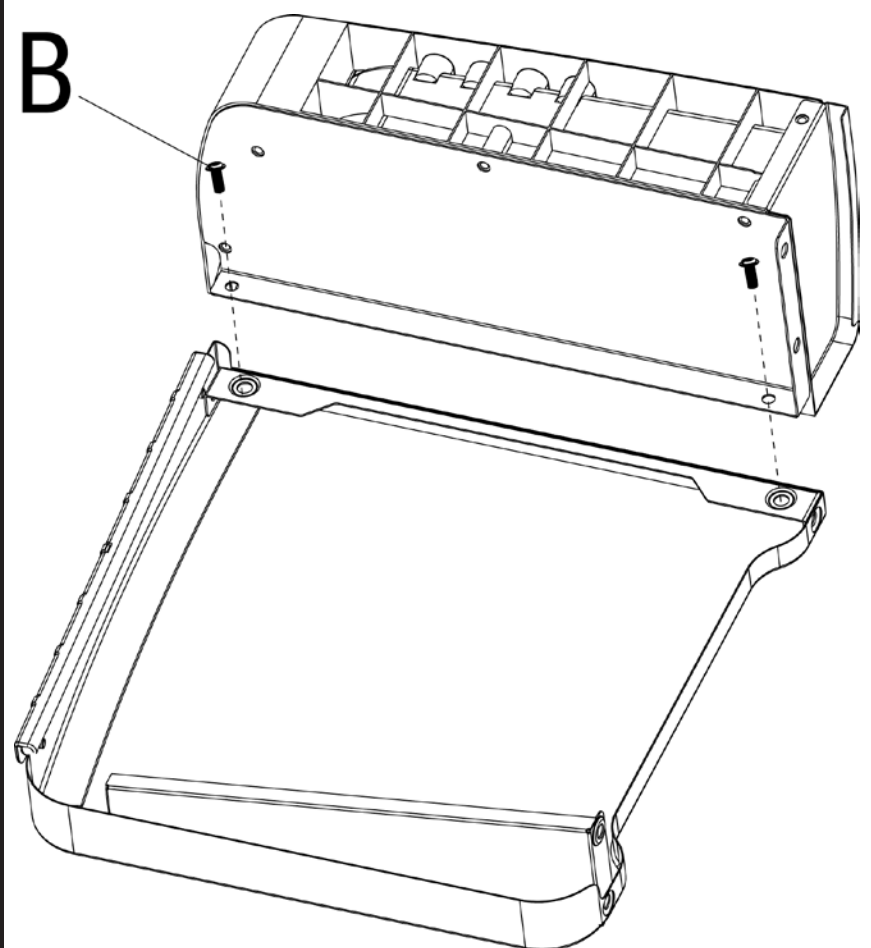
Attach Cart Frame Supports and LP Gas Tank Heat Plate

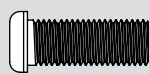


B  x 10 G  x 8
H  x 8

8

Assemble Left Side Shelf

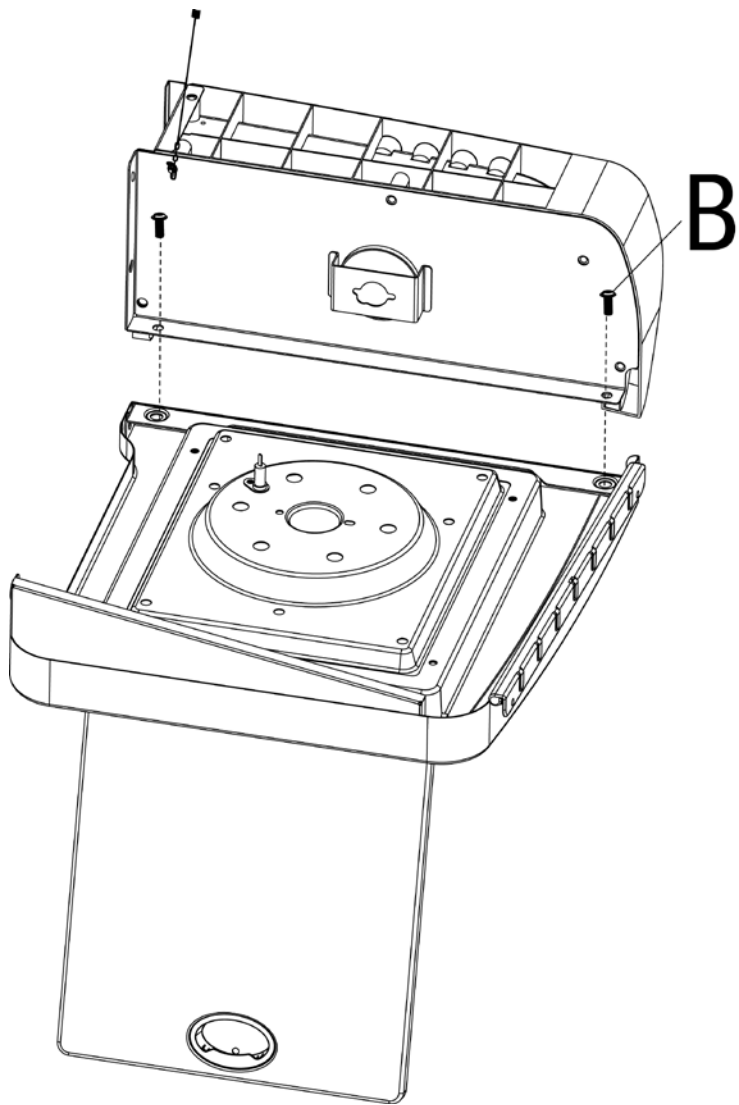


B  x 2

Assembly Instructions (continued)

9

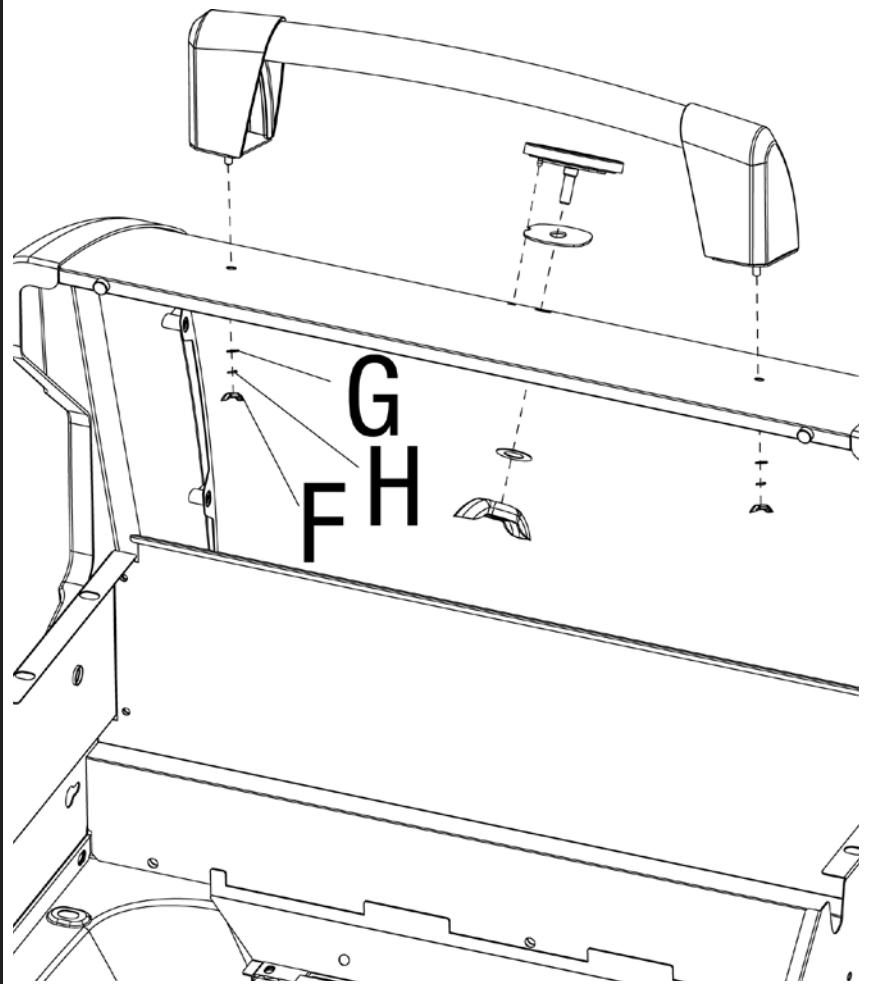
Assemble Right Side Shelf



B x 2

10

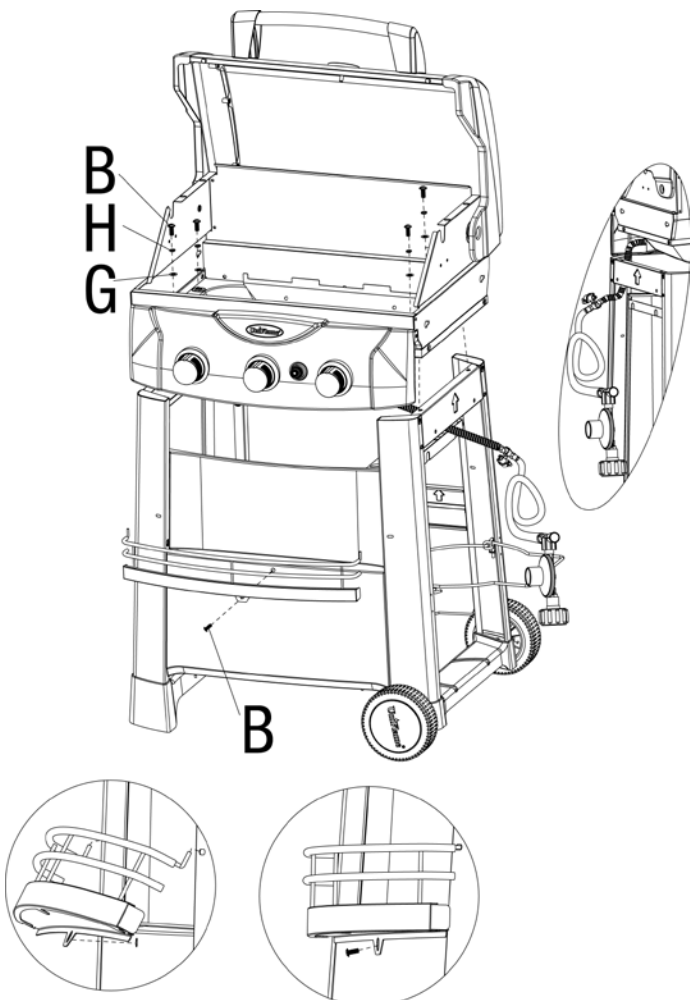
Attach Lid Handle Assembly and Temperature Gauge



F x 2 **G** x 2
H x 2

11

Attach Grill Body and Front Condiment Basket

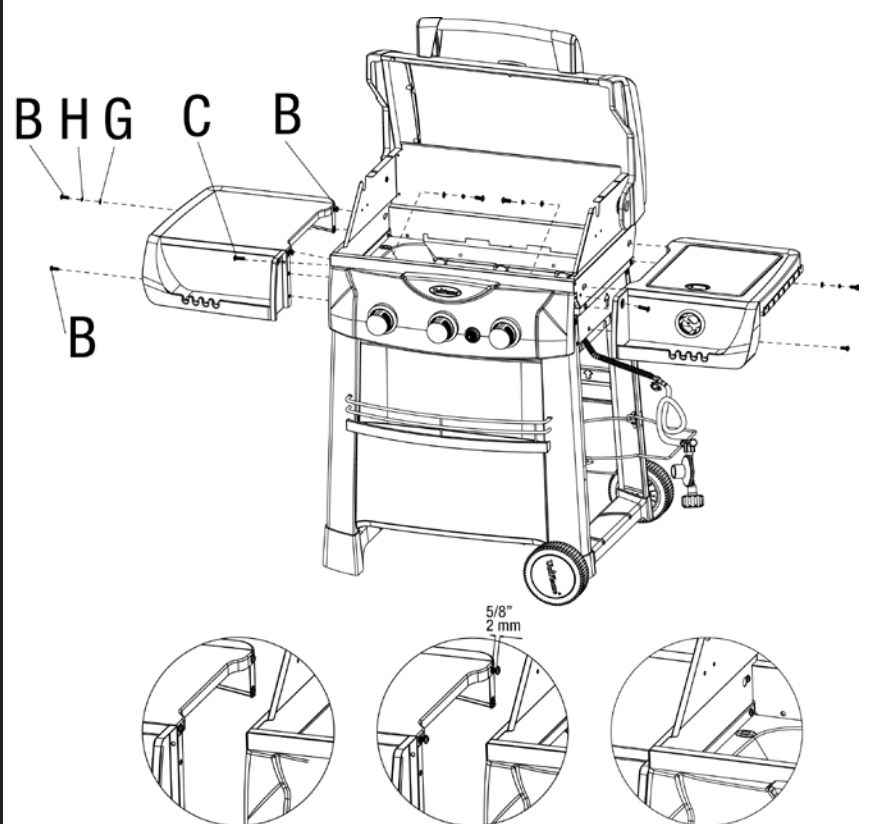


B x 5 **G** x 4
H x 4

12

Attach Side Shelves

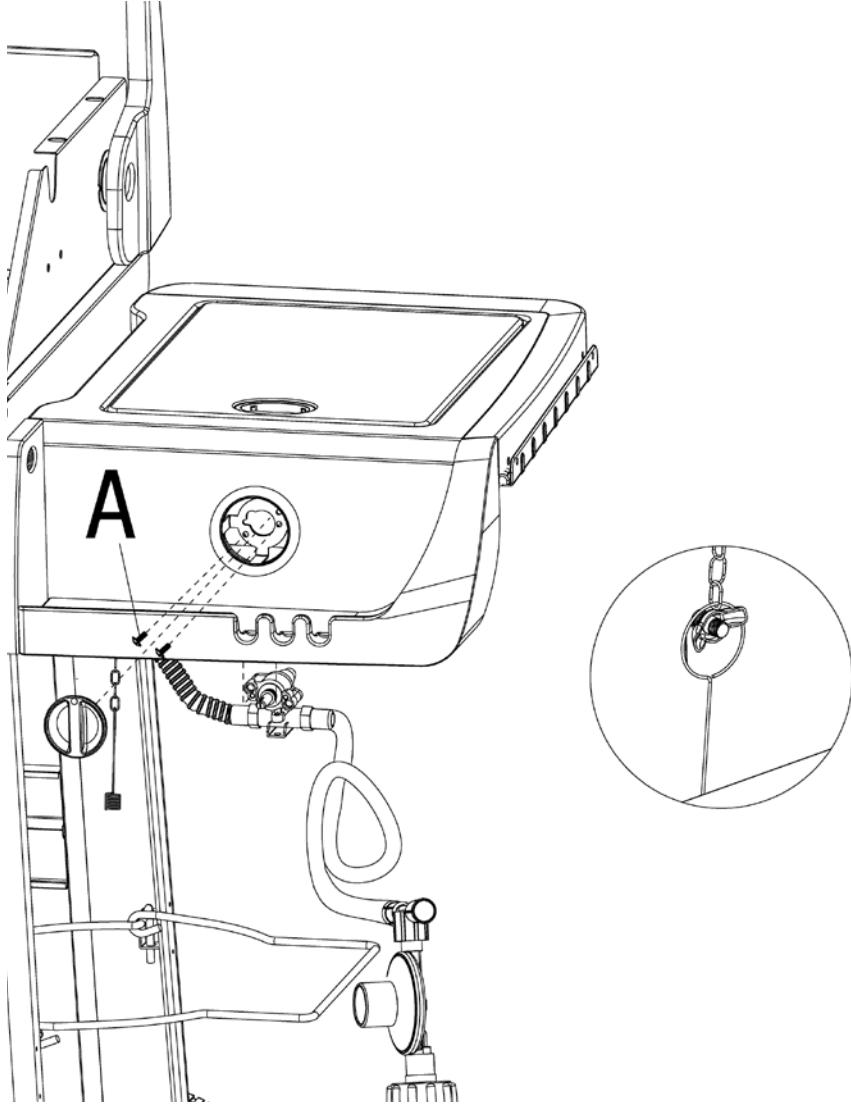
Note: Leave 5/8" (8 mm) of bolt threads exposed. Do not fully tighten until end of step.



B x 6 **H** x 4
C x 2 **G** x 4

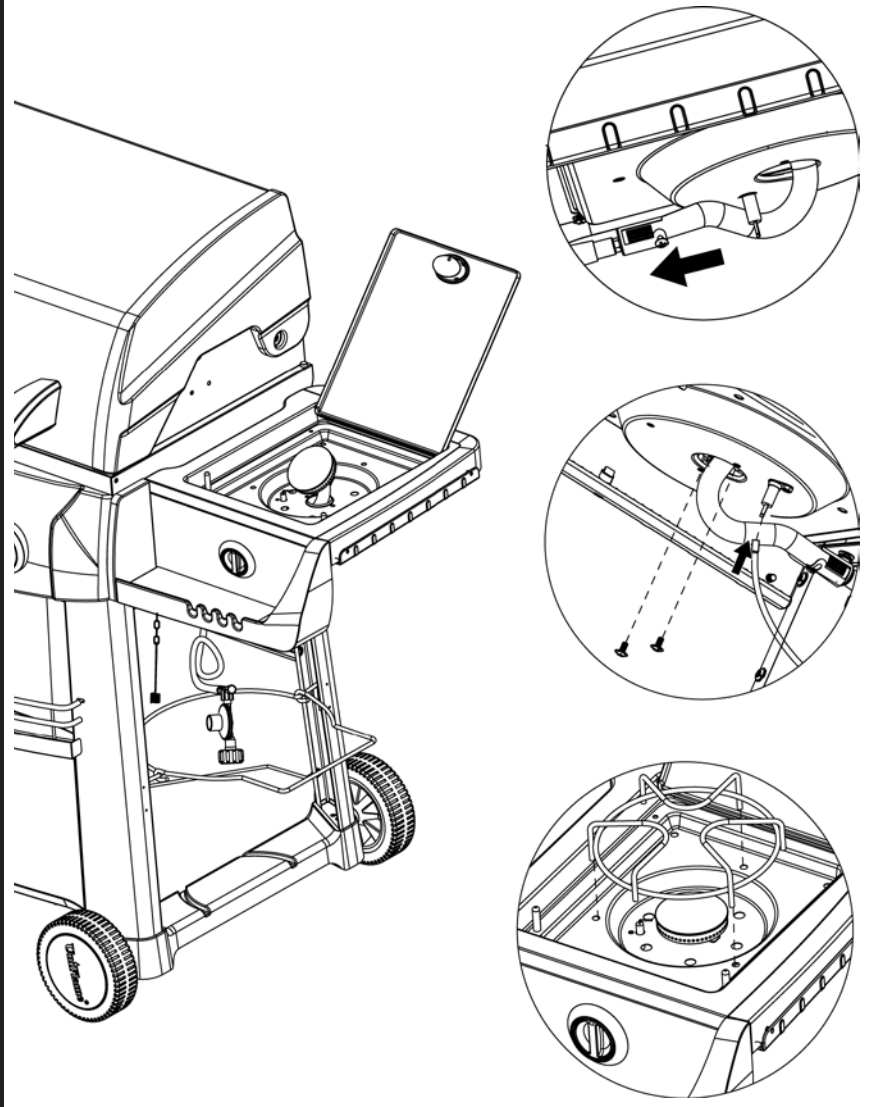
Contact 1.800.762.1142 for assistance. Do not return to place of purchase.

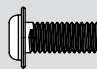
13 Attach Side Burner Valve and Side Burner Control Knob



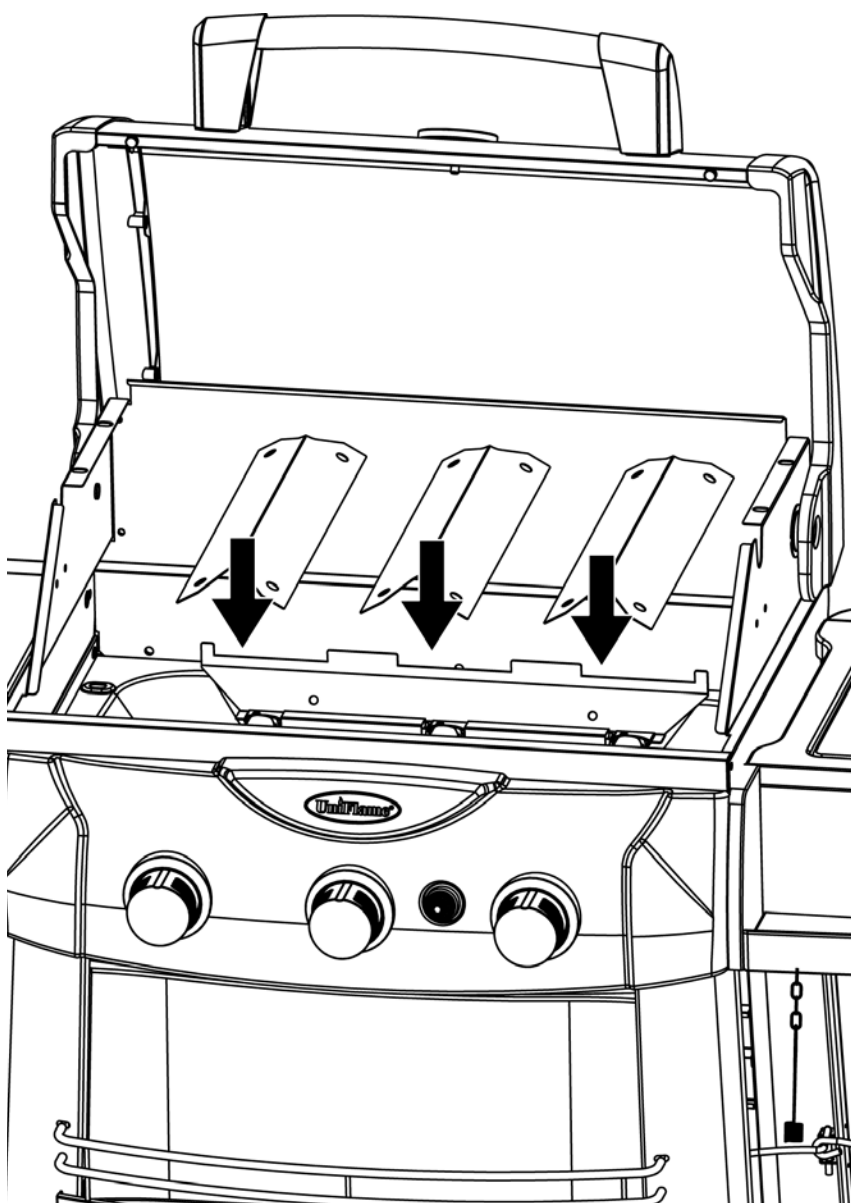
A  x 2

14 Attach Side Burner and Side Burner Grid

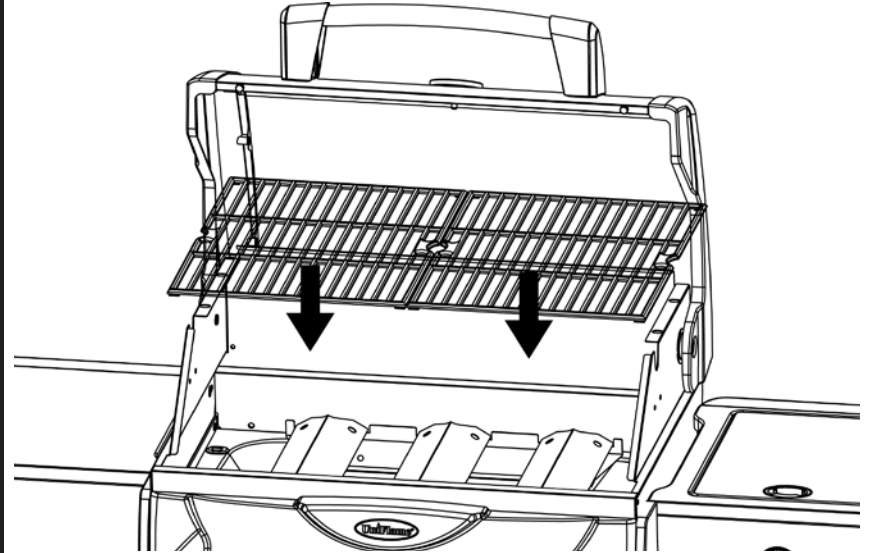


A  x 2

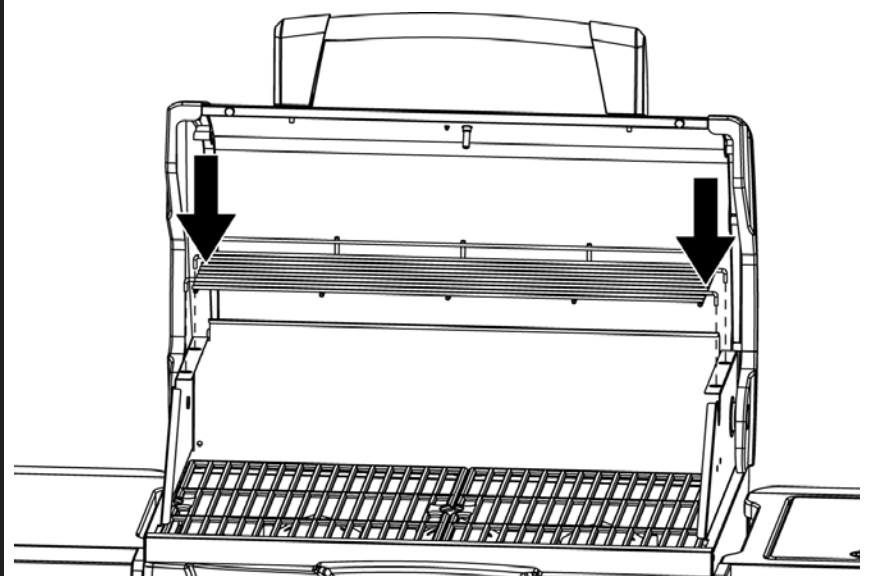
15 Insert Heat Plates



16 Insert Cooking Grids



Insert Warming Rack



Assembly Instructions (continued)

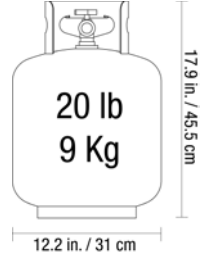
17 Attach Grease Cup and Grease Cup Support

18 Insert Battery

Installing LP Gas Tank

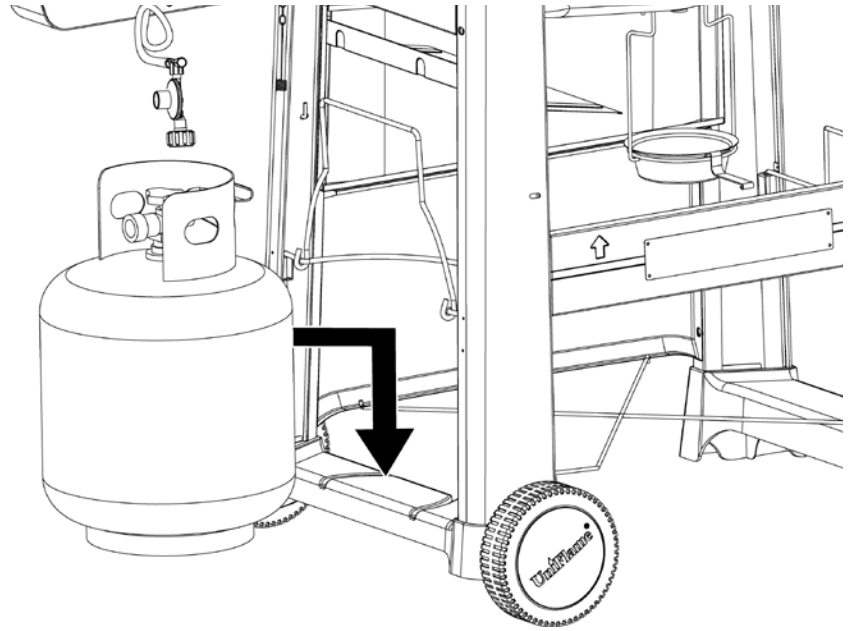
To operate you will need (1) precision-filled standard grill LP gas tank (20#) with external valve threads.

Note: An empty standard grill LP gas tank weighs approximately 18 lbs. A precision-filled standard grill LP gas tank should weigh no more than 38 lbs.



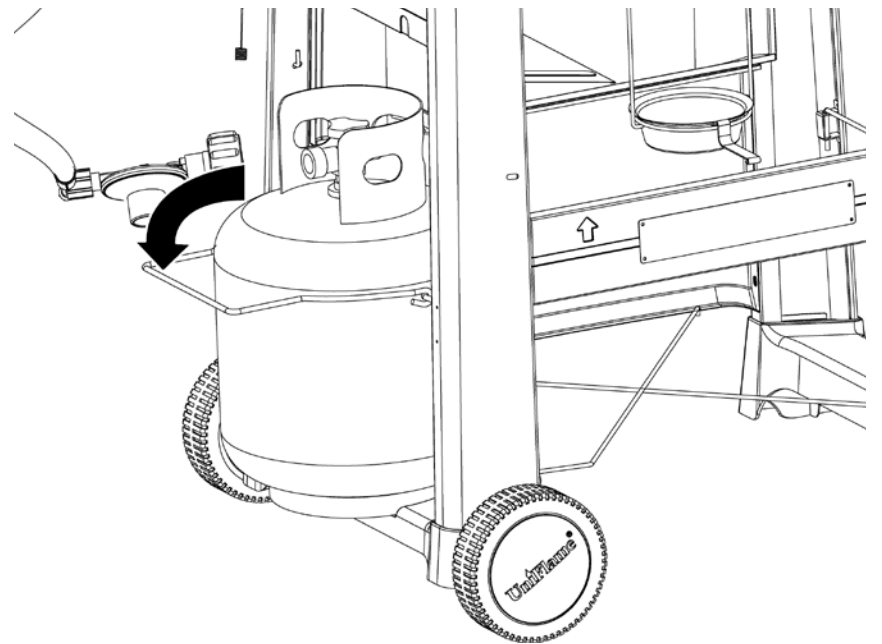
Insert LP Gas Tank

Place precision filled LP gas tank upright into grove so the tank valve is facing the gas line connection



Secure LP Gas Tank

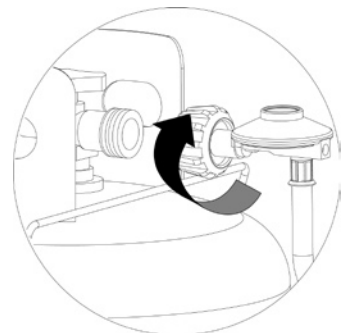
Secure tank by sliding tank retainer wire over shoulder of LP gas tank.



Connect LP Gas Tank

Before connecting, be sure that there is no debris caught in the head of the LP gas tank, head of the regulator valve or in the head of the burner and burner ports.

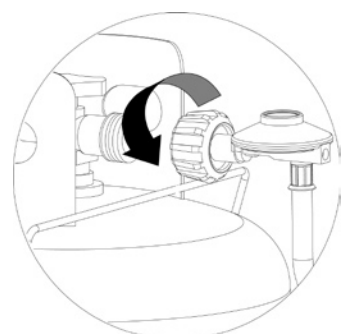
Connect gas line to tank by turning knob clockwise until it stops.



Disconnect LP Gas Tank

Before disconnecting make sure the LP gas tank valve is "OFF".

Disconnect gas line from LP gas tank by turning knob counterclockwise until it is loose.



Need a tank of gas? Try tank exchange service. It's easy, fast, safe, and available at tens of thousands of conveniently located retail outlets nationwide. You can purchase a new full tank or exchange your empty for a precision filled one.

Operating Instructions

Checking for Leaks

Burner Connections

1. Make sure the regulator valve and hose connections are securely fastened to the burner and the tank.

If your unit was assembled for you, visually check the connection between the burner venturi pipe and orifice. Make sure the burner venturi pipe fits over the orifice.

⚠ WARNING: Failure to inspect this connection or follow these instructions could cause a fire or an explosion which can cause death, serious bodily injury, or damage to property.

2. Please refer to diagram for proper installation. (Figure 1 and 2)
3. If the burner pipe does not rest flush to the orifice, please contact 1.800.762.1142 for assistance.

Tank/Gas Line Connection

1. Make 2-3 oz. of leak solution by mixing one part liquid dishwashing soap with three parts water.
2. Make sure control knobs are "OFF". (Figure 3)
3. Turn LP gas tank "ON" at valve.
4. Spoon leak check solution at all "X" locations (Figure 4)
 - a. If any bubbles appear turn LP gas tank "OFF", reconnect and re-test.
 - b. If you continue to see bubbles after several attempts, turn LP gas tank "OFF" and disconnect LP gas tank and contact 1.800.762.1142 for assistance.
 - c. If no bubbles appear after one minute turn tank "OFF", wipe away solution and proceed.

Operating Main Burners

First Use

1. Make sure all labels, packaging and protective films have been removed from the grill.
2. Remove manufacturing oils before cooking on this grill for the first time, by operating the grill for at least 15 minutes on "HIGH" with the lid closed. This will "heat clean" the internal parts and dissipate odors.

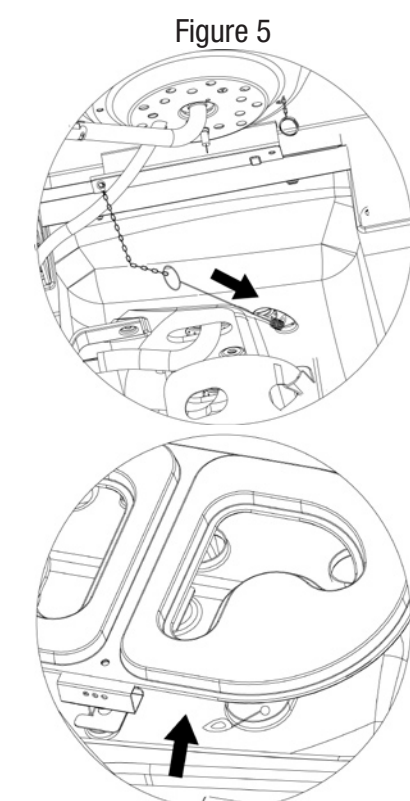
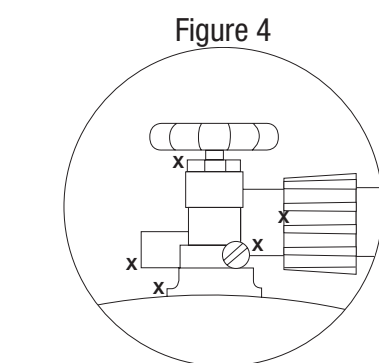
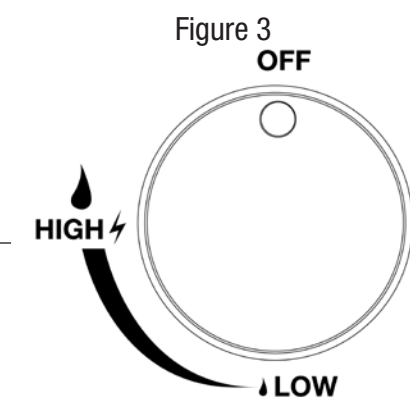
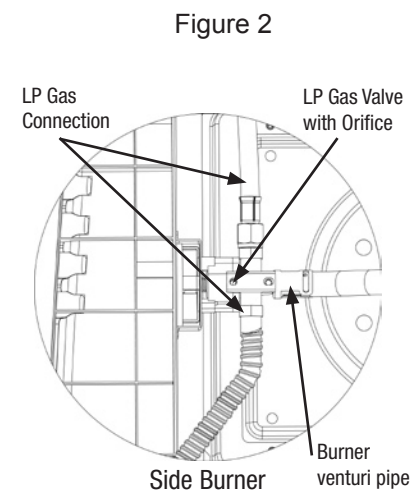
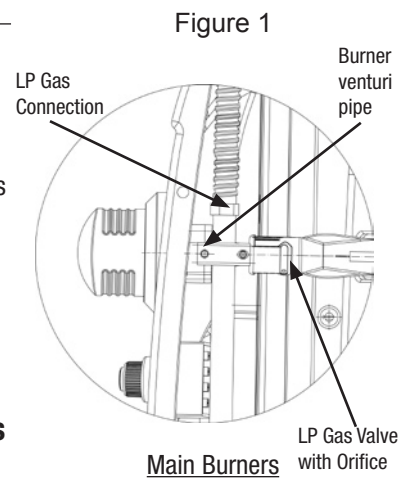
Lighting

1. Open lid. **Attempting to light the burner with the lid closed may cause an explosion!**
2. Make sure there are no obstructions of airflow to the burners. Spiders and insects can nest within and clog the burner / venturi tube at the orifice. A clogged burner tube can lead to a fire beneath the appliance.
3. All control knobs must be in the "OFF" position. (Figure 3)
4. Turn ON gas at LP gas tank.
5. Push and turn control knob counterclockwise to "HIGH".
6. Press the electronic igniter button and hold for 5 seconds to light burner.
7. If ignition does not occur in 5 seconds, turn burner control knob "OFF", wait 5 minutes, and repeat lighting procedure.
8. If igniter does not light burner, use a lit match secured with the lighting rod provided to light burners manually. Access the burners through the cooking grid and heat plates. Position the lit match near side of the burner. (Figure 5)

Important: Always use the lighting rod provided when lighting burners with a match.

9. After lighting, observe the burner flame, make sure all burner ports are lit and flame height matches illustration. (Figure 6)

⚠ Caution: If burner flame goes out during operation, immediately turn the gas "OFF" and open lid to let the gas clear for about 5 minutes before re-lighting.



Turning Off

1. Turn gas OFF at LP gas tank.
2. Turn all control knobs clockwise to the "OFF" position.

Direct Cooking

Cooking directly over hot burners. Ideal for searing in juices and grilling food requiring less than 25 minutes of grilling time, such as steaks, hamburgers, hot dogs, chicken parts, vegetables and fruit.

1. Open lid and ignite the desired amount of burners per lighting instructions in owner's manual.
2. Close lid and preheat grill on "HIGH".
3. Wear protective gloves and use long handle tongs to place food onto cooking grids above the lit burners.
4. Adjust controls to desired temperature.
5. With lid open or closed, cook until desired internal food temperatures are achieved.
6. Turn grill OFF by first closing the valve on the propane tank. Burn off remaining gas in lines by waiting 15 seconds then turn all burner controls to the OFF position. A "poof" sound is normal as the last of the LP gas is burned.

Indirect Cooking

Not cooking directly over hot burners. Ideal for slow cooking and foods requiring more than 25 minutes such as most roasts, loins, chops, whole chickens, turkey, fish and baked goods.

1. Open lid and ignite the desired amount of burners per lighting instructions in owner's manual.
2. Close lid and preheat grill on "HIGH".
3. Wear protective gloves and use long handle tongs to place food onto cooking grids above the un-lit burners.
4. Adjust controls to desired temperature.
5. With lid closed, cook until desired internal food temperatures are achieved.
6. Turn grill OFF by first closing the valve on the propane tank. Burn off remaining gas in lines by waiting 15 seconds then turn all burner controls to the "OFF" position. A "poof" sound is normal as the last of the LP gas is burned.

For more tips on indirect cooking please see "Tips for Better Cookouts and Longer Grill Life"

Tips for Better Cookouts and Longer Grill Life

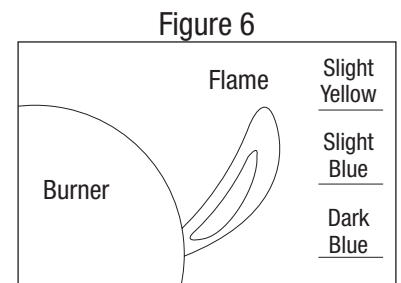
1. For food safety tips visit: http://www.fsis.usda.gov/Fact_Sheets/Barbecue_Food_Safety/
2. Use the upper cooking grid (warming rack) for keeping cooked food warm, toasting breads or cooking delicate foods in aluminum foil pouches.
3. Use the side burner of this appliance like a normal kitchen range for boiling, sautéing or frying.
4. To keep food from sticking to the grids, spray or coat with cooking oil before lighting.
5. To reduce flare-up keep grill clean, use lean cuts of meat (or trim fat) and avoid cooking on very high temperatures.
6. Place delicate foods like fish and vegetables in aluminum foil pouches and indirect cook or place on upper cooking levels (warming rack).
7. To avoid losing natural juices, use long handled tongs or spatulas instead of forks and turn foods over just once during cooking.
8. When direct cooking adjust your burners to different levels so foods can be prepared to different internal temperatures in the same time frame.
9. When indirect cooking roasts and larger cuts of meat, place meat onto a roasting rack inside a heavy gauge metal pan. Place pan over the un-lit burners.
10. Try water pans to reduce flare-ups and cook juicier meats. Before starting grill remove cooking grids and place a heavy duty shallow pan directly on heat plates. Fill half way with water, fruit juices or other flavored liquids. Replace cooking grids and position food over the loaded pan.
11. Enhance food flavors by using wood chips in smoker boxes or aluminum foil pouches. Follow the wood manufacturer's instructions.
12. Rotisseries, grill baskets, vertical poultry holders and other accessories can enhance your experiences, reduce cooking times and aid in clean-up.
13. Clean cooking grids and racks after every use with a quality grill brush designed for your grid material. Wear protective gloves and gently remove the build-up while grids are hot.
14. After every use, allow grill to cool. Then protect clean cooking grids with a light coat of cooking oil, empty grease pan, wipe outside surfaces with a suitable kitchen cleaner and protect surfaces with a quality cover that properly fits your grill.
15. Visit websites like www.bluerhino.com, watch barbecue themed TV shows or purchase related barbecue cookbooks to learn more interesting tips like –
A gas grill is ideal for reheating leftover pizza. Set burners on low and place pizza slices directly on preheated cooking grid. Close lid and cook until cheese starts to bubble.

Operating Side Burner

NOTE: Side burner can be used while main burners are operating.
Never use side burner as a grill.

Lighting

1. Open lid. **Attempting to light the burner with the lid closed may cause an explosion!**
2. Make sure there are no obstructions of airflow to the burner. Spiders and insects can nest within and clog the burner / venturi tube at the orifice. A clogged burner tube can lead to a fire beneath the appliance.



Operating Instructions (continued)

- Control knob must be in the "OFF" position. (Figure 7)
- Turn ON gas at LP gas tank.
- Push and turn control knob counterclockwise to "HIGH".
- Press the electronic igniter button and hold for 5 seconds to light burner.
- If ignition does not occur in 5 seconds, turn burner control knob "OFF", wait 5 minutes, and repeat lighting procedure.
- If igniter does not light burner, use a lit match secured with the lighting rod provided to light burners manually. Position the lit match near side of the burner. (Figure 8)

Important: Always use the lighting rod provided when lighting burners with a match.

- After lighting, please observe the burner flame, make sure all burner ports are lit and flame height matches illustration. (Figure 9)

CAUTION: If burner flame goes out during operation, immediately turn the gas "OFF" and open lid to let the gas clear for about 5 minutes before re-lighting.

Turning Off

- Turn gas OFF at LP gas tank.
- Turn control knob clockwise to the "OFF" position.

Note: A "poof" sound is normal as the last of the LP gas is burned.

Cooking

- Light burner.
- Set burner to desired temperature
- Place pan on center of grid.
- Cook and adjust temperature as needed.

Cleaning and Care

CAUTION:

- All cleaning and maintenance should be done when grill is cool and with the fuel supply disconnected.
- DO NOT clean any grill part in a self cleaning oven. The extreme heat will damage the finish.

Notices

- This grill should be thoroughly cleaned and inspected on a regular basis.
- Abrasive cleaners will damage this product.
- Never use oven cleaner to clean any part of grill.
- Do not clean any grill part in a self cleaning oven. The extreme heat will damage the finish.

Before Each Use:

- Keep the grill area clean and free from any combustible materials, gasoline, and other flammable vapors and liquids.
- Do not obstruct the flow of the combustion of LP and the ventilation air.
- Keep the ventilation opening(s) of the LP gas tank area free and clear from debris.
- Visually check the burner flames, to make sure your grill is working properly.
- See sections below for proper cleaning instructions.
- Check and clean the burner/venturi tubes for insects and insect nests. A clogged tube can lead to a fire beneath the grill.

Cleaning Surfaces

- Wipe surfaces clean with mild dishwashing detergent or baking soda.
- For stubborn surfaces use a citrus based degreaser and a nylon scrubbing brush.
- Rinse clean with water.

Figure 7
OFF

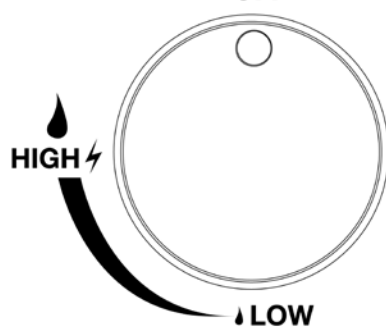


Figure 8

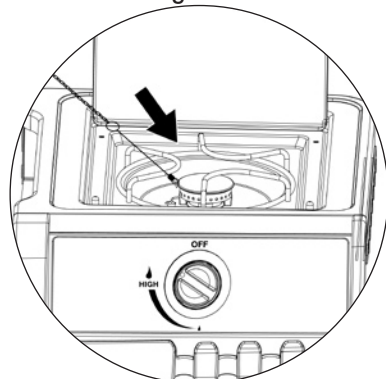
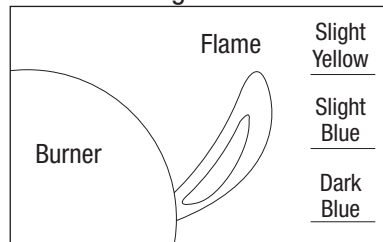


Figure 9



Cleaning and Care (continued)

Cleaning Main Burner

- Turn gas "OFF" at the control knobs and LP gas tank.
- Remove cooking grid and heat plates.
- Remove burner by removing the fasteners securing the burner to the grill bottom.
- Lift burner up and away from gas valve orifice.
- Disconnect wire from spark electrode.
- Clean inlet (venturi) of burner with small bottle brush or compressed air.
- Remove all food residue and dirt on burner surface.
- Clean any clogged ports with a stiff wire (such as an opened paper clip)
- Inspect burner for any damage (cracks or holes). If damage is found, replace with new burner.
- Reinstall burner, check to insure that gas valve orifice is correctly positioned inside burner inlet (venturi). Also check position of spark electrode.
- Replace heat plate and cooking grid.
- Perform leak test.

Cleaning Side Burner

- Turn gas "OFF" at the control knobs and LP gas tank.
- Remove side burner grid.
- Remove burner by removing the screws securing the burner to the side shelf.
- Lift burner up and away from gas valve orifice.
- Clean inlet (venturi) of burner with small bottle brush or compressed air.
- Remove all food residue and dirt on burner surface.
- Clean any clogged ports with a stiff wire (such as an opened paper clip)
- Inspect burner for any damage (cracks or holes). If damage is found, replace with new burner.
- Reinstall burner, check to insure that gas valve orifice is correctly positioned inside burner inlet (venturi). Also check position of spark electrode.
- Replace cooking grid.
- Perform leak test.

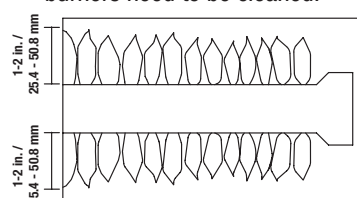
Product Registration

For faster warranty service, please register your product immediately at www.bluerhino.com or call 1.800.762.1142.

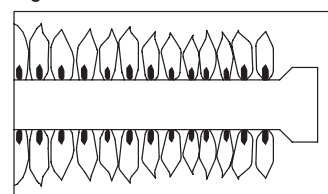
Figure 10

Burner Flame Conditions

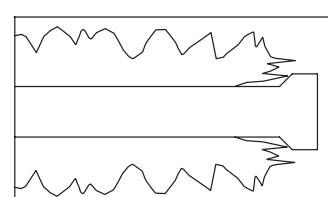
Use this chart check to see if your burners need to be cleaned.



Normal: Soft blue flames with yellow tips between 1 in. - 2 in. high.



Needs Cleaning: Noisy with hard blue flames.



Has to be cleaned: Wavy with yellow flames.

Limited Warranty

Blue Rhino Global Sourcing, Inc ("Vendor") warrants to the original retail purchaser of this product, and to no other person, that if this product is assembled and operated in accordance with the printed instructions accompanying it, then for a period of one (1) year from the date of purchase, all parts in such product shall be free from defects in material and workmanship. Vendor may require reasonable proof of your date of purchase. Therefore, you should retain your sales slip or invoice. This Limited Warranty shall be limited to the repair or replacement of parts, which prove defective under normal use and service and which Vendor shall determine in its reasonable discretion upon examination to be defective. Before returning any parts, you should contact Vendor's Customer Service Department using the contact information listed below. If Vendor confirms, after examination, a defect covered by this Limited Warranty in any returned part, and if Vendor approves the claim, Vendor will replace such defective part without charge. If you return defective parts, transportation charges must be prepaid by you. Vendor will return replacement parts to the original retail purchaser, freight or postage prepaid.

This Limited Warranty does not cover any failures or operating difficulties due to accident, abuse, misuse, alteration, misapplication, improper installation or improper maintenance or service by you or any third party, or failure to perform normal and routine maintenance on the product as set out in this owner's manual. In addition, the Limited Warranty does not cover damage to the finish, such as scratches, dents, discoloration, rust or other weather damage, after purchase.

This Limited Warranty is in lieu of all other express warranties. Vendor disclaims all warranties for products that are purchased from sellers other than authorized retailers or distributors, including the warranty of merchantability or the warranty of fitness for a particular purpose. VENDOR ALSO DISCLAIMS AND ANY ALL IMPLIED WARRANTIES, INCLUDING WITHOUT LIMITATION THE IMPLIED WARRANTIES OF MERCHANTABILITY AND FITNESS FOR A PARTICULAR PURPOSE. VENDOR SHALL NO LIABILITY TO PURCHASER OR ANY THIRD PARTY FOR ANY SPECIAL, INDIRECT, PUNITIVE, INCIDENTAL, OR CONSEQUENTIAL DAMAGES. Vendor further disclaims any implied or express warranty of, and assumes no responsibility for, defects in workmanship caused by third parties.

This Limited Warranty gives the purchaser specific legal rights; a purchaser may have other rights depending upon where he or she lives. Some jurisdictions do not allow the exclusion or limitation of special, incidental or consequential damages, or limitations on how long a warranty lasts, so the above exclusion and limitations may not apply to everyone.

Vendor does not authorize any person or company to assume for it any other obligation or liability in connection with the sale, installation, use, removal, return, or replacement of its equipment, and no such representations are binding on Vendor.

Blue Rhino Global Sourcing, Inc
Winston-Salem, North Carolina 27105 USA
1.800.762.1142



Troubleshooting

Problem	Possible Cause	Prevention/Cure
Burner will not light using ignitor	Wires or electrode covered with cooking residue.	Clean wire and/or electrode with rubbing alcohol.
	Electrode and burners are wet.	Wipe dry with cloth.
	Electrode cracked or broken - sparks at crack.	Replace electrode.
	Wire loose or disconnected.	Reconnect wire or replace electrode/wire assembly
	Wire is shorting (sparking) between ignitor and electrode.	Replace ignitor wire/electrode assembly
	Bad ignitor.	Replace ignitor
Burner will not light with match	No gas flow.	Check if LP gas tank is empty. If LP gas tank is not empty, refer to "Sudden drop in gas flow (reduced flame height). If empty, replace or refill.
	Coupling nut and regulator not fully connected.	Turning the coupling nut about one-half to three quarters additional turn until solid stop. Tighten by hand only-do not use tools.
	Obstruction of gas flow.	Clear burner tubes. Check for bent or kinked hose.
	Disengagement of burner to valve.	Reengage burner and valve.
	Spider webs or insect nest in venturi.	Clean venturi.
	Burner ports clogged or blocked.	Clean burner ports.
Sudden drop in gas flow or reduced flame height	Out of gas.	Replace or refill LP gas tank
	Excess flow safety device may have been activated.	Turn off knobs, wait 30 seconds and light grill. If flames are still too low Reset the excessive flow safety device by turning off knobs and LP gas tank valve. Disconnect regulator. Turn burner control knobs to HIGH. Wait 1 minute. Turn burner control knobs off. Reconnect regulator and leak check connections. Turn LP gas tank valve on slowly, wait 30 seconds and then light grill.
Irregular flame pattern, flame does not run the full length of burner.	Burner ports are clogged or blocked.	Clean burner ports.
Flame is yellow or orange.	New burner may have residual manufacturing oils.	Burn grill for 15 minutes with the lid closed
	Spider webs or insect nest in venturi	Clean venturi.
	Food residue, grease or seasoning salt on burner.	Clean burner.
	Poor alignment of valve to burner venturi.	Assure burner venturi is properly engaged with valve
Flame blow out	High or gusting winds	Turn front of grill to face wind or increase flame height to "HIGH" setting
	Low on LP Gas	Replace or refill LP gas tank
	Excess flow valve tripped	Refer to "Sudden drop in gas flow"
Flare-up	Grease buildup.	Clean grill.
	Excess fat in meat.	Trim fat from meat before grilling.
	Excessive cooking temperature.	Adjust (lower) temperature accordingly.
Persistent grease fire.	Grease trapped by food buildup around burner system	Turn knobs to "OFF". Turn gas off at LP gas tank. Leave lid in closed position and let fire burn out. After grill cools, remove and clean all parts.
Flashback (fire in burner tube(s))	Burner and/or burner tubes are blocked	Clean burner and/or burner tubes
Inside of lid is peeling-like paint peeling	The lid is stainless steel, not paint.	Baked on grease buildup has turned to carbon and is flaking off. Clean thoroughly.

For more assistance please visit us online at www.bluerhino.com or call 1.800.762.1142 for immediate assistance.

Contact 1.800.762.1142 for assistance. Do not return to place of purchase.



Si necesita ayuda llame al 1.800.762.1142. No vuelva al lugar de compra.

Si necesita ayuda llame al 1.800.762.1142. No vuelva al lugar de compra.



Resolución de problemas

Problema	Causa posible	Prevención/solución
El quemador no se enciende utilizando el encendedor.	Cables o electrodos cubiertos con restos de alimentos. Los electrodos y los quemadores están mojados. Electrodo agrietado o roto; chispas en las gretas. Cable suelto o desconectado. El cable tiene un cortocircuito (chispeo) entre el encendedor y el electrodo.	Limpie el cable y/o electrodo con alcohol isopropílico. Sequelo con un paño. Sustituya el electrodo. Vuelva a conectar el cable o sustituya el conjunto electrodo/cable. Sustituya el conjunto cable del encendedor/electrodo.
El quemador no se enciende con una cerilla.	No hay flujo de gas. La tuerca de acoplamiento no está conectada por completo. Obstrucción del flujo de gas. Desacoplamiento del quemador a la válvula. Telarañas o nidos de insectos en el venturi. Bocas del quemador atascadas u obstruidas.	Compruebe si el tanque de propano líquido está vacío. Si el tanque de propano líquido no está vacío, consulte la sección "Caida repentina del flujo de gas" (tamaño de llama insuficiente). Si está vacío, sustitúyalo o vuelva a llenarlo. Gire la tuerca de acoplamiento entre media vuelta y tres cuartos de vuelta hasta que haga tope con firmeza. Apriete únicamente a mano, sin utilizar ninguna herramienta. Limpie los tubos del quemador. Verifique que la manguera no esté torcida o doblada. Vuelva a conectar el quemador y la válvula. Limpie el tubo de venturi. Limpie las bocas del quemador.
Caida repentina del flujo de gas o altura de la llama insuficiente.	Sin gas. Puede que se haya activado el dispositivo de seguridad de exceso de flujo. Gire las perillas a la posición "OFF" (apagado), espere 30 segundos y encienda la parrilla. Si las llamas continúan siendo demasiado bajas reinicie el dispositivo de seguridad de flujo excesivo girando las perillas a la posición "OFF" y la válvula del tanque de propano líquido. Desconecte el regulador. Gire las perillas de control del quemador a la posición "HIGH" (alto). Espere 1 minuto. Gire las perillas de control del quemador a la posición "OFF". Vuelva a conectar las conexiones del regulador y del dispositivo de comprobación de fugas. Abra lentamente la válvula del tanque de propano líquido, espere 30 segundos y, a continuación, encienda la parrilla.	Compruebe si hay gas en el tanque de propano líquido. Gire las perillas a la posición "OFF" (apagado), espere 30 segundos y encienda la parrilla. Si las llamas continúan siendo demasiado bajas reinicie el dispositivo de seguridad de flujo excesivo girando las perillas a la posición "OFF" y la válvula del tanque de propano líquido. Desconecte el regulador. Gire las perillas de control del quemador a la posición "HIGH" (alto). Espere 1 minuto. Gire las perillas de control del quemador a la posición "OFF". Vuelva a conectar las conexiones del regulador y del dispositivo de comprobación de fugas. Abra lentamente la válvula del tanque de propano líquido, espere 30 segundos y, a continuación, encienda la parrilla.
Falta de uniformidad en la llama, la llama no cubre toda la longitud del quemador.	Las bocas del quemador están atascadas u obstruidas. Puede que el nuevo quemador tenga aceites residuales del proceso de fabricación.	Limpie las bocas del quemador.
La llama es de color amarillo o naranja.	Telarañas o nidos de insectos en el venturi. Restos de alimentos, grasa o sal para condimentar en el quemador. Alineación incorrecta entre la válvula y el quemador de venturi.	Limpie el venturi. Limpie el quemador. Asegúrese de que el quemador de venturi está conectado adecuadamente a la válvula.
La llama se apaga.	Vientos fuertes o racheados. Gire el frente de la parrilla de cara al viento o aumente la altura de la llama a la graduación "HIGH" (alto).	Sustituya el tanque o vuelva a llenarlo. Consulte la sección "Caida repentina del flujo de gas".
Fogonazo.	Formaciones de grasa. Carne con exceso de grasa. Si está utilizando una temperatura excesiva para cocinar.	Limpie la parrilla. Retire la grasa de la carne antes de ponerla en la parrilla. Ajuste (baje) la temperatura según corresponda.
La grasa provoca un fuego persistente	Grasa atascada por la acumulación de comida alrededor del sistema de quemadores	Gire las perillas a la posición "OFF" (apagado). Cierre el gas del tanque de propano líquido. Deje la tapa cerrada y deje que el fuego se consuma. Una vez se haya enfriado la parrilla, quite y limpie todas las piezas.
Centileos (hay fuego en ellos) tubos del quemador).	El quemador y/o juegos de quemadores están bloqueados.	Limpie el quemador y/o los tubos del quemador.
El interior de la tapa se está pelando; igual que cuando se pela la pintura.	La tapa es de acero inoxidable, no pintada.	La acumulación de grasa se ha convertido en carbón y se está desmenuzando. Limpíela completamente.

Para ayuda más detallada, sírvase visítanos en www.bluerhino.com o llámanos al 1.800.762.142 para ayudarle inmediatamente.

Si necesita ayuda llame al 1.800.762.1142. No vuelva al lugar de compra.

Limpieza y cuidado (continuación)

Limpieza del quemador lateral

1. Cierre el gas en las perillas de control y en el tanque de propano líquido.
2. Remueva la parrilla del quemador lateral.
3. Remueva el quemador, quitando los dos tornillos que aseguran el quemador en la repisa lateral.
4. Saque el quemador, levantándolo y alejándolo del orificio de la válvula de gas.
5. Limpie la entrada del quemador (venturi) usando un cepillo pequeño de limpiar botellas o un chorro de aire comprimido.
6. Remueva todo residuo de comida o desperdicio que haya quedado en la superficie del quemador.
7. Limpie los puertos que se encuentren obstruidos, usando un alambre firme (tal como un sujetapapeles abierto).
8. Inspeccione el quemador para verificar si tiene daños (grietas o perforaciones). Si encuentra daños, sustitúyalo con un nuevo quemador.
9. Vuelva a instalar el quemador, verificando que los orificios de la válvula de gas quedan colocados correctamente dentro de la entrada del quemador (venturi). También verifique la posición del electrodo de chispa.
10. Vuelva a colocar la parrilla de cocción.
11. Haga una prueba de fugas.

Registro del producto

Para beneficiar del servicio de garantía más rápidamente, sírvase registrar su unidad inmediatamente visitando nuestro sitio Internet www.bluehino.com o llamando al 1.800.762.1142.

Garantía limitada

Blue Rhino Global Sourcing, Inc (el "fabricante") provee al comprador minorista de este producto, y a ninguna otra persona, la garantía siguiente. Si el producto se ensambla y opera de acuerdo con las instrucciones impresas que lo acompañan se garantiza que todas las partes del mismo no presentarán defectos de materiales ni de mano de obra de acuerdo a las siguientes estipulaciones: dos (2) años a partir de la fecha de compra para los quemadores y un (1) año a partir de la fecha de compra para todas las piezas restantes. El fabricante podrá requerir prueba razonable de la fecha de compra. Por lo tanto, usted debe conservar el recibo de venta o la factura. Esta Garantía Limitada estará limitada a la reparación o reemplazo de las piezas que resulten defectuosas en condiciones de servicio y uso normal y las que un examen indique, a satisfacción del fabricante, que están defectuosas. Antes de devolver cualquier pieza, comuníquese con el Departamento de Servicio al Cliente (Customer Service Department) del fabricante. Si el fabricante confirma el defecto y aprueba el reclamo, el fabricante decidirá reemplazar tales partes sin costo alguno. Si se le pide que devuelva las partes defectuosas, los costos de transporte deberán ser pagados. El fabricante devolverá las partes al cliente con costo de transporte o envío prepagados.

Esta garantía limitada no cubre fallas o dificultades de operación debidas a accidente, abuso, mal uso, alteración, empuje en usos inapropiados, instalación defectuosa o mantenimiento o servicio inapropiado o falla en la realización de mantenimiento normal y rutinario como se prescribe en este manual del usuario. Además, la garantía limitada no cubre daños al terminado de la unidad, tales como rasguños, abolladuras, descoloridos, oxidaciones y otros daños causados por la intemperie después de la compra de la unidad.

Esta garantía limitada reemplaza cualquier otra garantía. El fabricante no asume ninguna responsabilidad por garantías de productos vendidos por quienes no sean distribuidores o vendedores al detal autorizados. Esta exención de responsabilidad incluye cualquier garantía de comerciabilidad o la garantía de aptitud para un propósito en particular. EL FABRICANTE NO SE HACE RESPONSABLE POR NINGUNA GARANTIA IMPLICITA INCLUYENDO, SIN LIMITACIONES, LAS GARANTIAS IMPLICITAS DE COMERCIABILIDAD Y ADAPTABILIDAD A UN PROPOSITO PARTICULAR. EL FABRICANTE NO ASUME RESPONSABILIDAD ANTE EL COMPRADOR O ANTE CUALQUIER TERCERA PERSONA POR DAÑOS ESPECIALES, INDIRECTOS, PUNITIVOS, INCIDENTALES O CONSECUENCIALES. El fabricante, además, no asume responsabilidad por garantías implícitas o expresas por defectos de mano de obra causados por terceras personas. Esta garantía limitada le da al comprador derechos legales específicos y el comprador puede tener otros derechos según el lugar donde el comprador o la compradora residan. Ciertas jurisdicciones no permiten limitaciones en cuanto a la duración de una garantía implícita, de manera que esta limitación puede no ser aplicable a usted.

El fabricante no autoriza a ninguna persona o compañía para asumir por el fabricante cualquier otra obligación o responsabilidad relacionada con la venta, instalación, uso, remoción, devolución o reemplazo de este equipo y cualquier representación de esta naturaleza no obliga al fabricante.

Blue Rhino Sourcing, Inc
Winston-Salem, North Carolina 27105, EE.UU.

(800)-762-1142

Instrucciones de operación (continuación)

9. Cuando por cocción indirecta prepare asados y porciones grandes de carne, coloque la carne en una parrilla de asar dentro de una olla de metal grueso. Coloque la olla sobre los quemadores apagados.

10. Ensaye el uso de ollas con agua para reducir la combustión de grasa y cocer carnes muy jugosas. Antes de encender la unidad remueva las parrillas de cocción y coloque una olla pandita, para trabajo pesado, directamente sobre las placas de calor. Llene la olla hasta la mitad con agua, jugos de fruta u otros líquidos para dar sabor. Vuelva a colocar las parrillas de cocción y ponga los alimentos en la parrilla sobre la olla con líquido.
11. Realice el sabor de los alimentos usando astillas de madera en cajas metálicas para humear o bolsitas de papel de aluminio. Siga las instrucciones del fabricante de las astillas de madera para esta operación.
12. Las canastas de asar, asadores, sostenes verticales para la carne de ave y otros accesorios pueden hacer más agradable su experiencia, reducir el tiempo de cocción y facilitar la labor de limpieza.
13. Limpie las parrillas de cocción y las rejillas después de cada uso con un cepillo de calidad diseñado para el material de su parrilla. Use guantes de protección y remueva con cuidado la acumulación de residuos en las parrillas mientras estas están todavía calientes.
14. Después de cada uso deje que la parrilla se enfríe. Luego proteja las parrillas de cocción ya limpias con una ligera capa de aceite de cocina, vacíe la bandeja de la grasa, limpie las superficies exteriores con un limpiador de cocina apropiado y proteja las superficies con una cubierta de calidad que se acomode apropiadamente su unidad.
15. Visite páginas de Internet - tales como www.bluerhino.com - vea programas de televisión relacionados con la cocción de asados a la parrilla o compre libros de cocina relacionados con este tema para obtener interesantes sugerencias tales como:

Una parrilla a gas es ideal para volver a calentar una porción de pizza. Gradúe los quemadores a nivel bajo y coloque las secciones de pizza directamente en la parrilla de cocción, previamente calentada. Cierre la tapa y continúe el proceso de cocción hasta que el queso principie a hacer burbujas.

Operación del quemador lateral

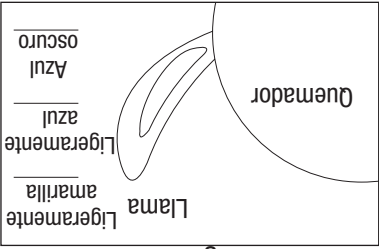
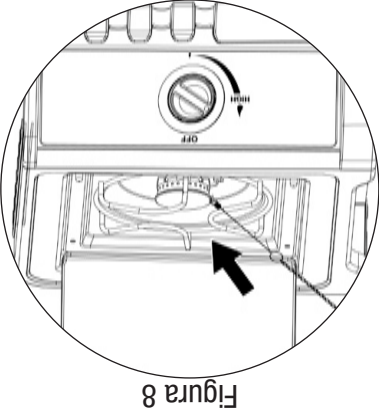
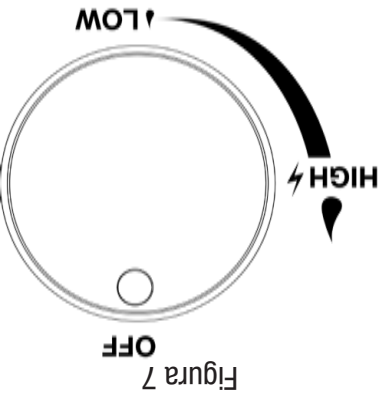
NOTA: Se puede usar el quemador lateral si los quemadores principales están encendidos. Nunca use el quemador lateral como parrilla.

Encendido

1. Abra la tapa. **Si intenta encender el quemador con la tapa cerrada puede provocar una explosión!**
2. Asegúrese de que no hay nada que obstruya el flujo de aire en la unidad de gas. Arañas y otros insectos pueden formar sus nidos dentro y obstruir los orificios del quemador/tubo de venturi. Un tubo de quemador obstruido puede provocar un incendio debajo del aparato.
3. La perilla de control tiene que estar en la posición "OFF" (apagado). Vea la Figura 7.
4. Abra el gas (ON) desde el tanque de propano líquido.
5. Optimiza y gire la perilla de control en el sentido contrario a las manecillas del reloj para situarlo en la posición "HIGH" (alto).
6. Optimiza la perilla del encendedor electrónico y manténgala así por 5 segundos para que el encendedor encienda el quemador.
7. Si el quemador no se enciende en 5 segundos, gire la perilla de control a "OFF" (apagado), espere 5 minutos y repita el procedimiento de encendido.
8. En caso de que el encendedor no encienda el quemador, use una cerilla encendida colocada en la vara de encendido que se acompaña para encender los quemadores manualmente. Acerque la llama de la cerilla al lado del quemador (vea Figura 8).
- Importante: Use siempre la vara de encendido que se incluye, cuando desee encender los quemadores con una cerilla.
9. Después de encender el quemador observe su llama y asegúrese de que todos los orificios estén encendidos y que la altura de la llama corresponda a la del diagrama (vea Figura 9).

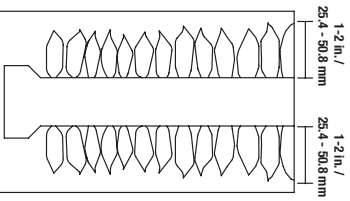
PRECAUCIÓN: Si la llama del quemador se apaga durante el funcionamiento, cierre el gas ("OFF") inmediatamente y abra la tapa antes de volver a encenderlo.

1. Cierre (OFF) el gas en el tanque de propano líquido.
2. Gire la perilla de control en la dirección de las manecillas del reloj a la posición "OFF" (apagado).
- Nota: El ruido de "puff" es normal cuando el residuo de gas propano líquido en la línea se ha extinguido.



AVISOS

1. Esta parrilla debe limpiarse y verificarse completamente de manera regular.
2. No use productos de limpieza abrasivos pues dañarán este aparato.
3. No utilice nunca productos limpiadores para limpiar cualquier pieza de la parrilla.
4. Nunca use ninguna pieza de esta parrilla en un horno de limpieza automática. El calor extremo dañará el terminado.



Cada vez que vaya a usar la unidad:

1. Mantenga el rededor de la unidad limpio y libre de materiales combustibles, gasolina, y otros líquidos y vapores inflamables.
2. No obstruya el flujo de aire de combustión del propano líquido ni el aire de ventilación.
3. Mantenga la abertura o aberturas de la zona del tanque de gas propano líquido abiertas y libres de basura.
4. Visualmente examine la llama del quemador para estar seguro de que la parrilla está funcionando adecuadamente.
5. Vea las instrucciones de limpieza más adelante para verificar que las observe apropiadamente.
6. Examine y limpie el quemador y los tubos del venturi de insectos y nidos de insectos. Un tubo atascado puede llevar a un incendio debajo de la parrilla.

Limpieza de las superficies

1. Limpie las superficies con un detergente suave de lavado de platos o con soda de hornear. En superficies de limpieza difícil, use un desengrasador a base de cítricos y un cepillo de nylon.
3. Enjuague las superficies con agua limpia.

Limpieza del quemador principal

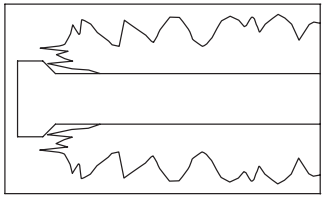
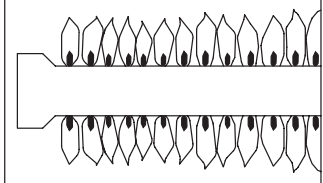
1. Cierre el gas en las perillas de control y en el tanque de propano líquido.
2. Remueva las parrillas de cocción y las placas de calentamiento.
3. Remueva el quemador, quitando los tres ganchos que aseguran el quemador al fondo de la parrilla.
4. Saque el quemador, levantándolo y alejándolo del orificio de la válvula de gas.
5. Desconecte el alambre del electrodo que produce la chispa.
6. Limpie la entrada (venturi) del quemador usando un cepillo pequeño de limpiar botellas o un chorro de aire comprimido.
7. Remueva todo residuo de comida o desperdicio que haya quedado en la superficie del quemador.
8. Limpie puertos que se encuentren obstruidos, usando un alambre firme (tal como un sujetapapeles abierto).
9. Inspeccione el quemador para verificar si tiene daños (grietas o perforaciones). Si encuentra daños, sustitúyalo con un nuevo quemador.
10. Vuelva a instalar el quemador, verificando que los orificios de la válvula de gas quedan colocados correctamente dentro de la entrada del quemador (venturi). También verifique la posición del electrodo de chispa.
11. Vuelva a colocar la placa de calentamiento y la parrilla de cocción.
12. Haga una prueba de fugas.

Limpieza y cuidado

1. Encienda el quemador.
2. Gradúe el quemador al nivel deseado.
3. Coloque la olla en el centro de la parrilla.
4. Deje cocer los alimentos y ajuste la temperatura si es necesario.

Condiciones de la llama en los quemadores

Normal: Llama de color azul pálido con puntas amarillas de 2,5 a 5 cm de altura



Debe limpiarse: La llama es amarilla y ondulante.

Necesita limpieza: Hace ruido y la llama es de un azul vivo.

Comprobar si hay fugas

1. Asegúrese de conectar adecuadamente la válvula del regulador al quemador y al tanque. Si alguien armó la unidad para usted, verifique visualmente la conexión entre el tubo del quemador y el orificio. Asegúrese de que el tubo del quemador encaja sobre el orificio.
- ADVERTENCIA: El no inspeccionar esta conexión o seguir debidamente estas instrucciones puede causar incendio o explosión ocasionando muerte, graves lesiones o daños a la propiedad.**
2. Por favor, consulte el diagrama para llevar a cabo correctamente la instalación (Figuras 1 y 2).
3. Si el tubo del quemador no queda a ras con el orificio, por favor llame al 1.800.762.1142.

Conexión de la línea de gas y del tanque

1. Prepare unos 80 ml de solución para comprobar si hay fugas mezclando una parte de jabón líquido para lavar platos y tres partes de agua.
2. Asegúrese de que las perillas de control están en la posición "OFF" (apagado). Vea la Figura 3.
3. Abra el gas (ON) desde la válvula del tanque.
4. Aplique con una cuchara la solución de verificación de escapes en todas las ubicaciones marcadas con "X" (vea la Figura 4).

- a. Si en cualquier punto aparecen burbujas, cierre la válvula del tanque (OFF), vuelva a conectar la maniguera y verifique nuevamente.
- b. Si las burbujas continúan apareciendo después de varios ensayos, desconecte la fuente de propano y llame al teléfono 1.800.762.1142 para notificar el defecto.
- c. Si no aparecen burbujas por un lapso de un minuto, cierre (OFF) la válvula del tanque de gas y limpie la solución para continuar el proceso.

Operación de los quemadores principales:

Uso por primera vez

1. Verifique que todos los empaques, etiquetas y envolturas de protección han sido removidos de la parrilla.
2. Remueva todo aceite de fabricación que encuentre en la unidad antes de usar la parrilla por primera vez, encendiendo la parrilla por lo menos por 15 minutos en la graduación "HIGH" (alto), con la tapa cerrada. Esto realizará una "limpieza por calor" en las piezas internas de la unidad y hará que los olores se disipen.

Encendido

1. Abra la tapa. **¡Si intenta encender el quemador con la tapa cerrada puede provocar una explosión!**

2. Asegúrese de que no hay nada que obstruya el flujo de aire en la unidad de gas. Arañas y otros insectos pueden formar sus nidos dentro y obstruir los orificios del quemador/tubo de venturi. Un tubo de quemador obstruido puede provocar un incendio debajo del aparato.
3. Todas las perillas tienen que estar en la posición "OFF" (apagado). Vea la Figura 3.
4. Abra (ON) el gas desde el tanque.
5. Oprima y gire la perilla de control en el sentido contrario a las manecillas del reloj para situarlo en la posición "HIGH" (alto).
6. Oprima la perilla del encendedor electrónico y manténgala así por 5 segundos para que encienda el quemador.

7. Si el quemador no se enciende en 5 segundos, gire la perilla de control a "OFF" (apagado), espere 5 minutos y repita el procedimiento de encendido.

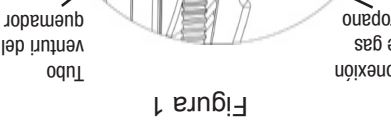


Figura 1

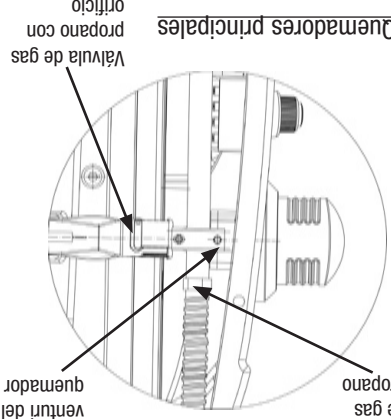


Figura 2

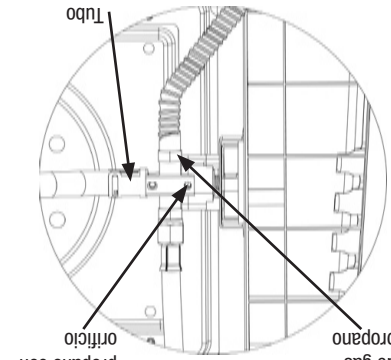


Figura 3

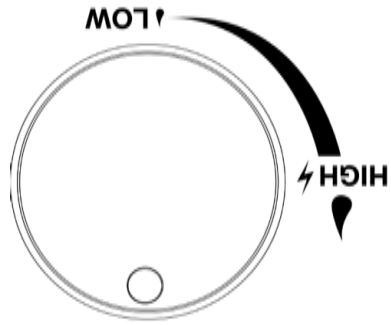


Figura 4

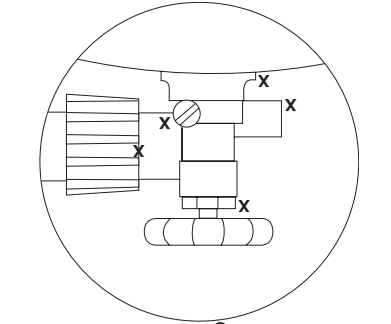
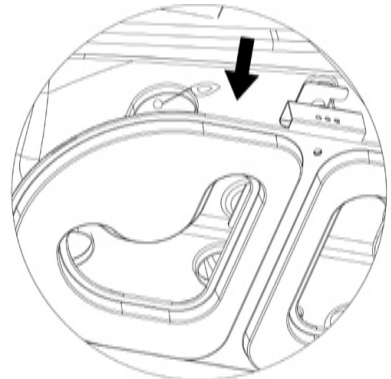
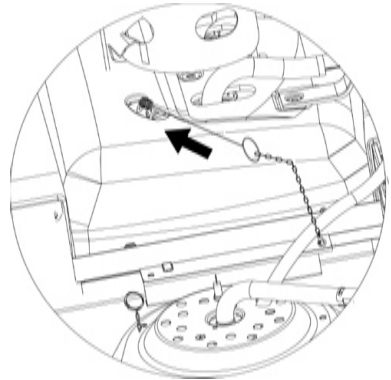


Figura 5



8. En caso de que el encendedor no encienda el quemador, use una cerilla encendida colocada en la varilla de encendido que se acompaña para encender los quemadores manualmente. Gane acceso a los quemadores por el espacio entre la rejilla de cocción y las placas de calentamiento. Acerque la llama de la cerilla al lado del quemador (vea Figura 5).

Importante: Use siempre la vara de encendido que se incluye, cuando desee encender los quemadores con una cerilla.

9. Después de encender el quemador observe su llama y asegúrese de que todos los orificios estén encendidos y que la altura de la llama corresponda a la del diagrama (vea Figura 6).

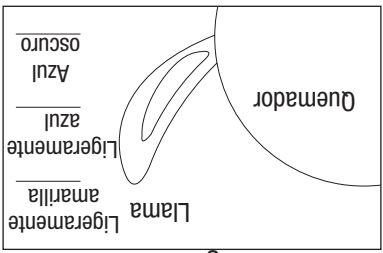


Figura 6

PRECAUCIÓN: Si la llama del quemador se apaga durante el funcionamiento, cierre el gas ("OFF") inmediatamente y abra la tapa durante 5 minutos para dejar que la zona quede despejada de gas antes de volver a encenderlo.

Apagado:

1. Cierre el gas (OFF) en el tanque de propano líquido.
2. Gire todas las perillas de control en la dirección de las manecillas del reloj a la posición "OFF" (apagado).

Cocción directa

Cocción directa sobre los quemadores calientes. Ideal para chamuscar los jugos y para cocer alimentos que requieran menos de 25 minutos de asado, tales como bistec, hamburguesas, perros calientes, porciones de aves, legumbres y frutas.

1. Abra la tapa y encienda los quemadores siguiendo las instrucciones de encendido del manual del usuario.
2. Cierre la tapa y haga un calentamiento previo de la parrilla en la graduación "HIGH" (alto).
3. Use guantes de protección y tenacillas de mango largo para colocar los alimentos en las parrillas de cocción sobre los quemadores encendidos.
4. Ajuste los controles a la temperatura deseada.
5. Con la tapa abierta o cerrada haga la cocción de los alimentos hasta que la temperatura interna del alimento se haya alcanzado.
6. Apague la parrilla (OFF) cerrando primero la válvula del tanque de propano. Deje que se extinga el gas que queda en las líneas, esperando 15 segundos antes de girar los controles del quemador a la posición "OFF" (apagado). El ruido de "pur" es normal cuando el residuo de gas propano licuado en la línea se ha extinguido.

Cocción indirecta

En este proceso la cocción no se hace directamente sobre las brujetas encendidas. Es ideal para cocer alimentos de lento cocimiento que requieran más de 25 minutos, tales como: asados, lomos, chuletas, pollos enteros, pavos, pescados y alimentos horneados.

1. Abra la tapa y encienda los quemadores siguiendo las instrucciones de encendido del manual del usuario.
2. Cierre la tapa y haga un calentamiento previo de la parrilla en la graduación "HIGH" (alto).
3. Use guantes de protección y tenacillas de mango largo para colocar los alimentos en las parrillas de cocción sobre los quemadores apagados.
4. Ajuste los controles a la temperatura deseada.
5. Con la tapa abierta o cerrada haga la cocción de los alimentos hasta que la temperatura interna del alimento se haya alcanzado.
6. Apague la parrilla (OFF) cerrando primero la válvula del tanque de propano. Deje que se extinga el gas que queda en las líneas, esperando 15 segundos antes de girar los controles del quemador a la posición "OFF" (apagado). El ruido de "pur" es normal cuando el residuo de gas propano licuado en la línea se ha extinguido.

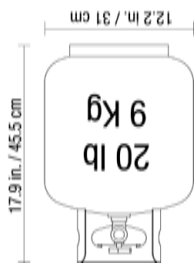
Sugerencias para una mejor preparación de los alimentos y una vida útil más larga de la parrilla

1. Para sugerencias de seguridad visite: http://www.fs.is.usda.gov/Fact_Sheets/Barbecue_Food_Safety/index.asp

2. Use la parrilla de cocción de arriba (rejilla de calentamiento) para mantener calientes los alimentos ya cocidos, pan tostado, o para cocer alimentos delicados en bolsitas de papel de aluminio.
3. Use el quemador lateral de esta unidad como se usa el elemento calórico normal de una cocina para hervir, freír o saltear.
4. Para evitar que los alimentos se peguen en las parrillas, aplique una capa de aceite de cocina a las parrillas antes de encender la unidad.
5. Para reducir el encendido de la grasa, mantenga la parrilla limpia, use cortes de carne sin grasa (o remueva el exceso de grasa) y evite cocerla a temperaturas demastada altas.
6. Coloque alimentos delicados tales como pescado y legumbres en bolsitas de papel de aluminio y coloque las bolsitas en el nivel superior de cocción (rejilla de calentamiento).
7. Para evitar la pérdida de jugos naturales, use tenacillas de mango largo o espátulas, en lugar de tenedores, y volteé el alimento solamente una vez durante el proceso de cocción.
8. Cuando haga cocción directa, ajuste los quemadores a diferentes niveles de manera que los alimentos puedan prepararse a sus respectivas temperaturas internas durante el mismo lapso de tiempo.



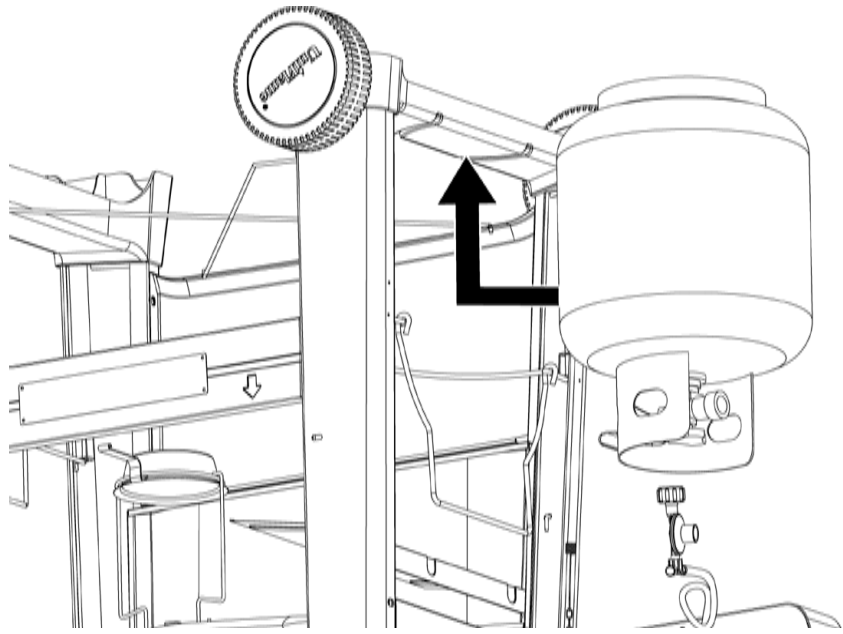
Instalación del tanque de gas propano líquido



Para operar la parrilla usted necesitará un (1) tanque de gas propano líquido de 20 libras (9 kg), para parrilla estándar, llenado con precisión y con rosca para la conexión de la válvula externa.

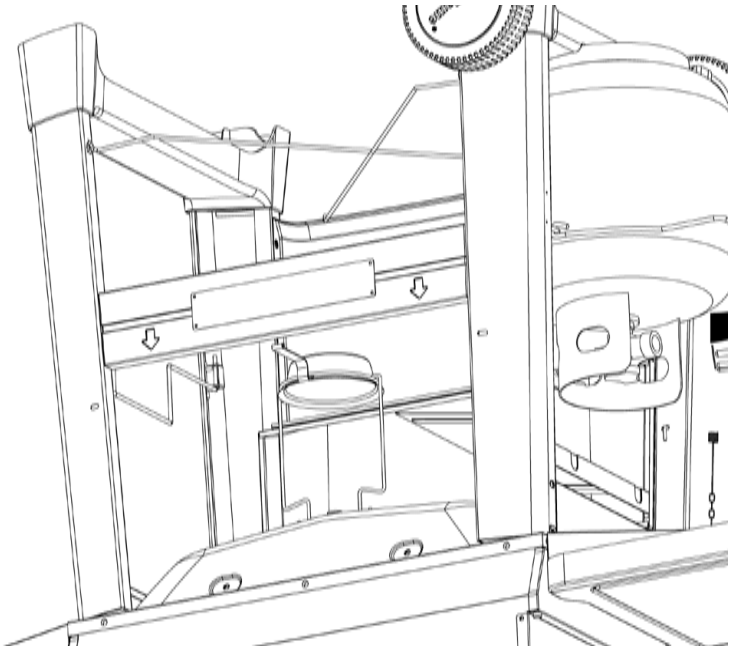
Nota: Un tanque estándar vacío de gas propano líquido para parrilla pesa aproximadamente 18 libras (8,1 kg). Un tanque estándar de gas propano líquido para parrilla llenado con precisión no debe pesar más de 38 libras (17,2 kg).

Coloque un tanque de propano, llenado con precisión, en la ranura del conjunto de soporte de las patas de manera que la válvula del tanque quede orientada hacia la línea de conexión de la línea de gas.



Inserte el tanque de propano

Asegure el tanque de propano
Asegure el tanque pasando el alambre de retención del tanque por sobre el hombro del tanque de propano.



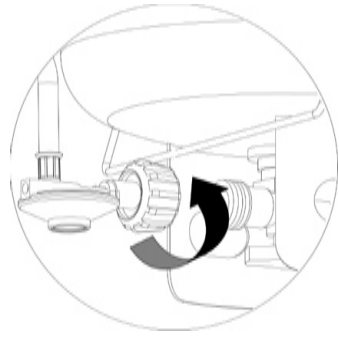
Conecte el tanque de propano

Antes de conectar el tanque, asegúrese de que tanto la cabeza del mismo como la del regulador y los orificios/puertos del quemador, están libres de cualquier suciedad. Conecte la línea de gas al tanque girando la perilla en la dirección de las manecillas de reloj hasta su límite.



Desconecte el tanque de propano

Antes de desconectar el tanque, asegúrese de que la válvula del tanque de gas propano líquido está en la posición "OFF" (apagado). Desconecte la línea de gas al tanque girando la perilla en la dirección contraria a las manecillas de reloj hasta que esté floja.

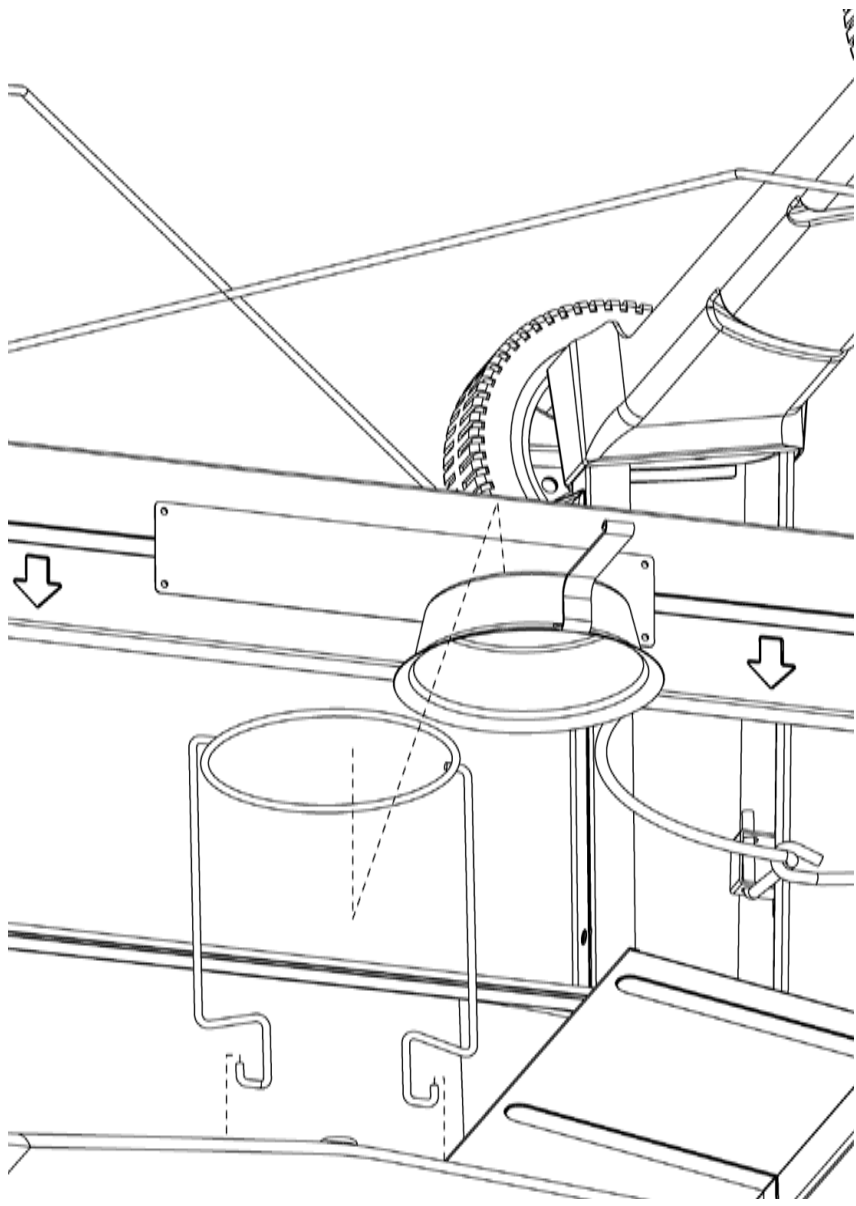


? Necesita un tanque de gas? Pruebe nuestro servicio de intercambio de tanques. Es sencillo, rápido, seguro y está disponible en decenas de miles de puestos de venta a lo largo de todo el país. Puede comprar un nuevo tanque lleno o cambiar su tanque vacío por un lleno.



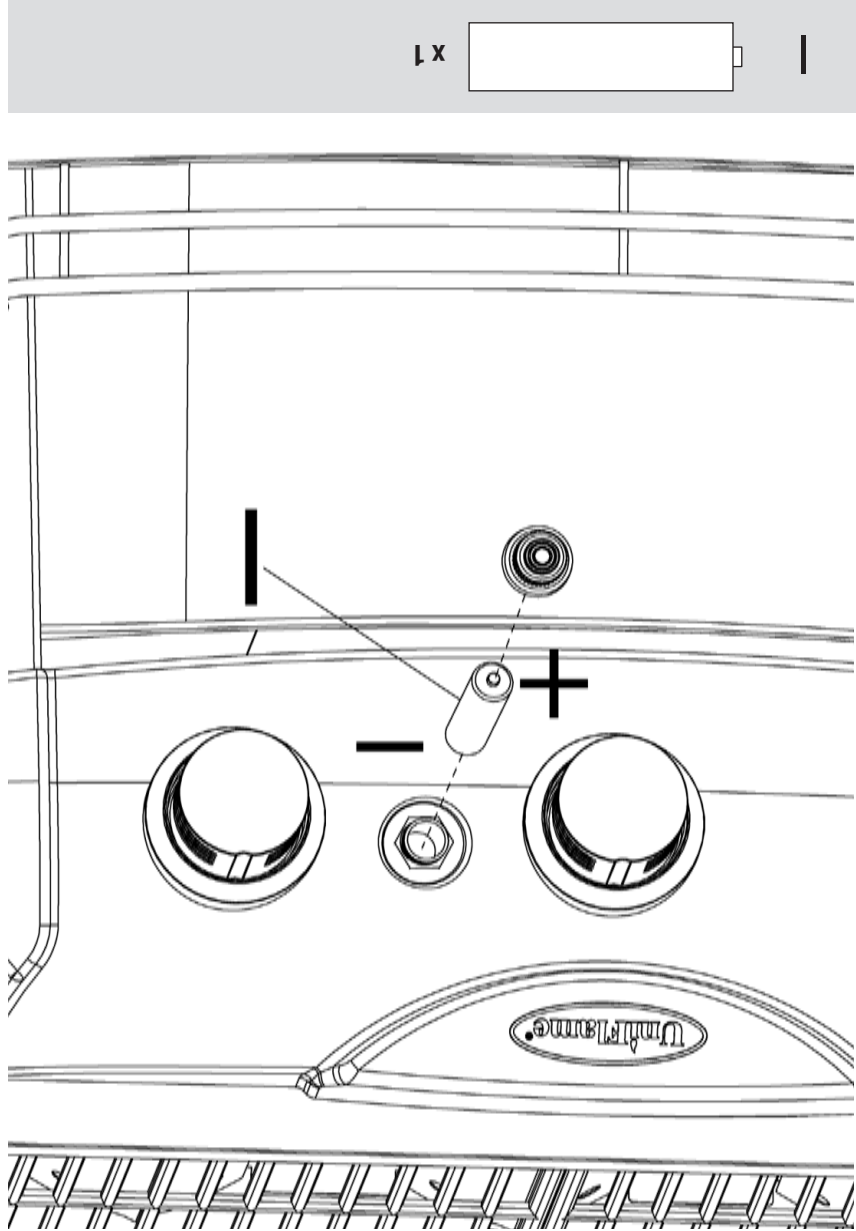
17

Fije la taza para la grasa y el soporte de la taza para la grasa

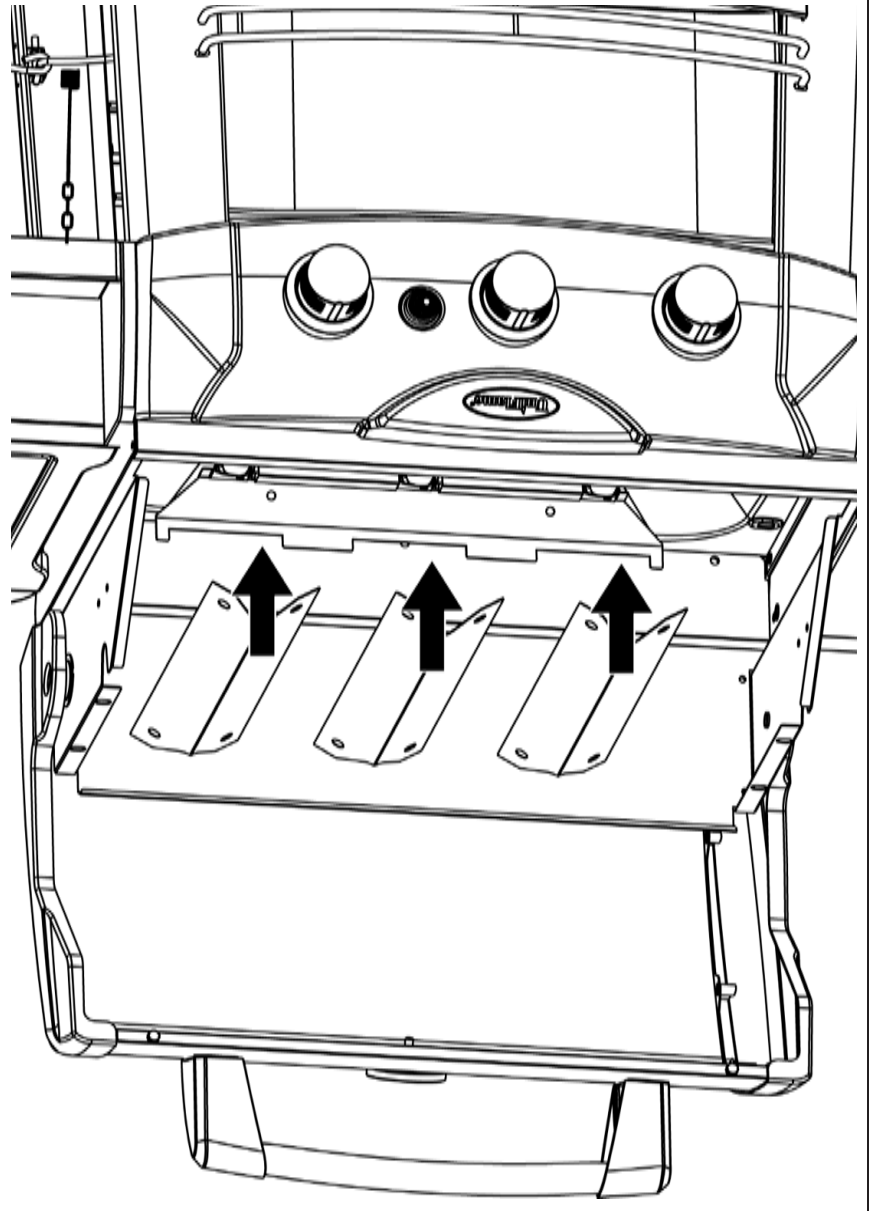
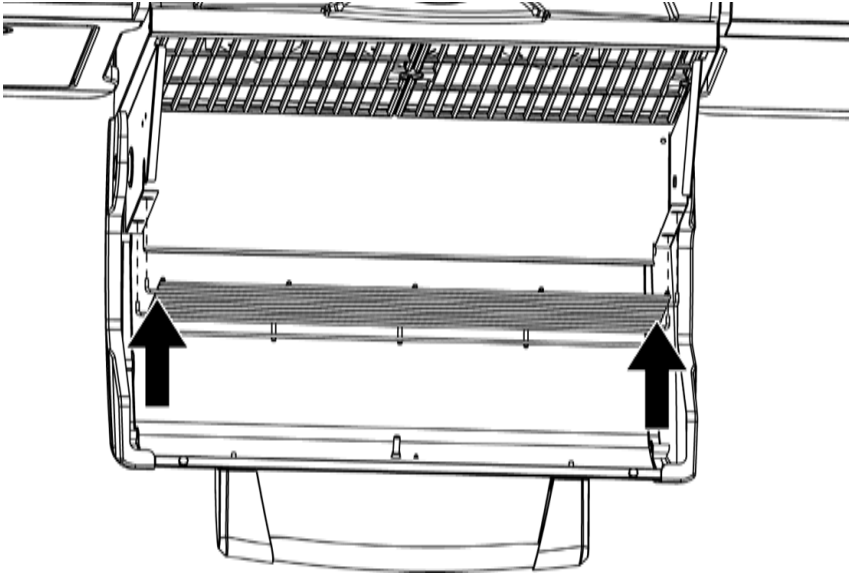


18

Inserte la pila

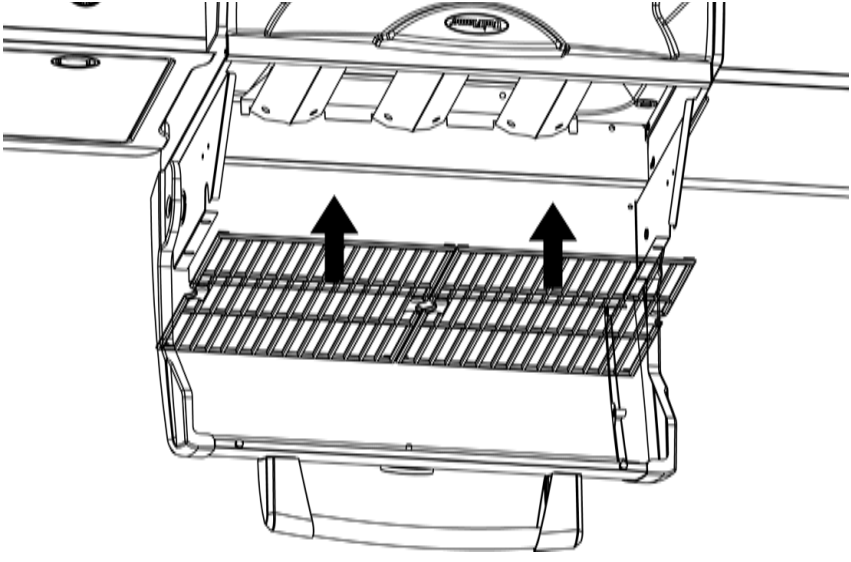


1 x



Coloque la rejilla de calentamiento

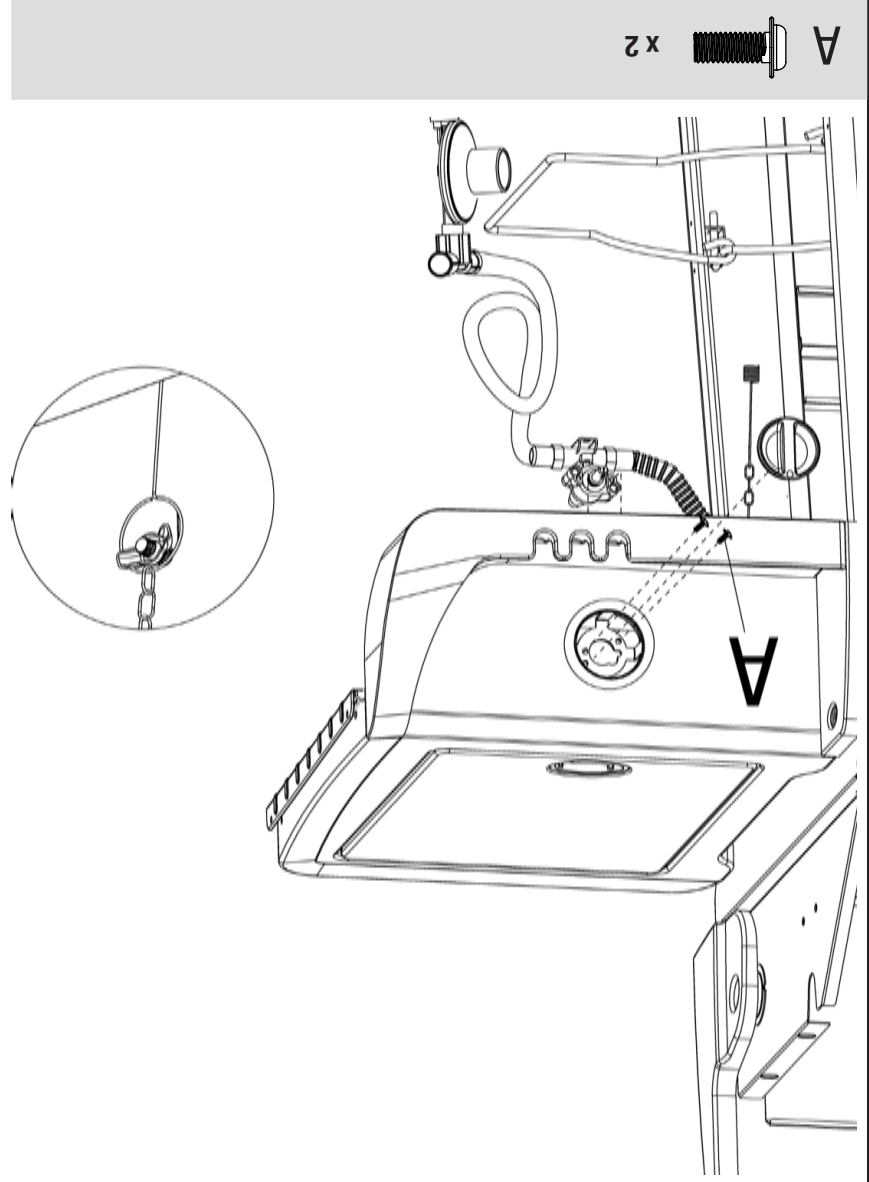
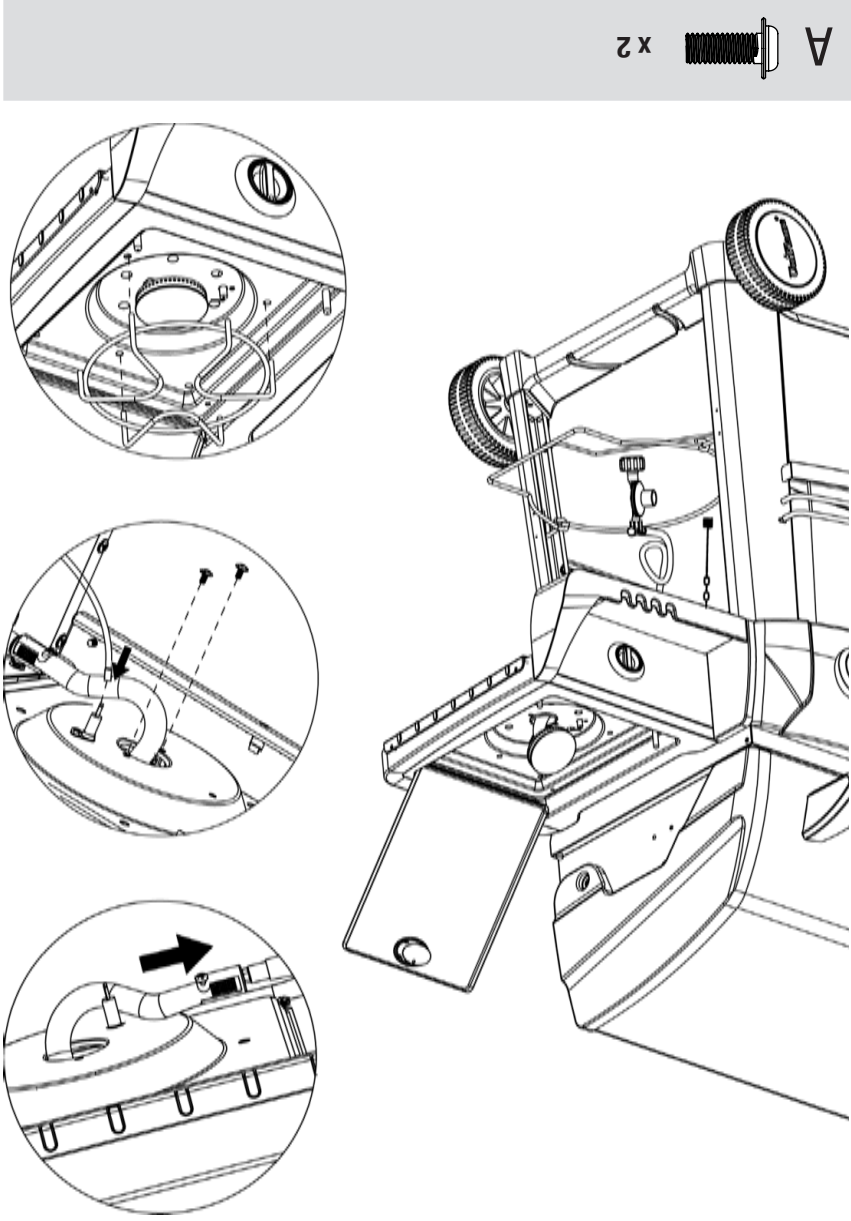
Coloque las placas de calor



16

15

Coloque las parrillas de cocción



Fije el quemador lateral y la rejilla del quemador lateral

Fije la perilla de control del quemador lateral y el soporte de la perilla de control

14

13



9

Arme la repisa derecha

B x 2

11

Fije el cuerpo de la parrilla

B x 5
G x 4

10

Fije la manija de la tapa y el registro de temperatura

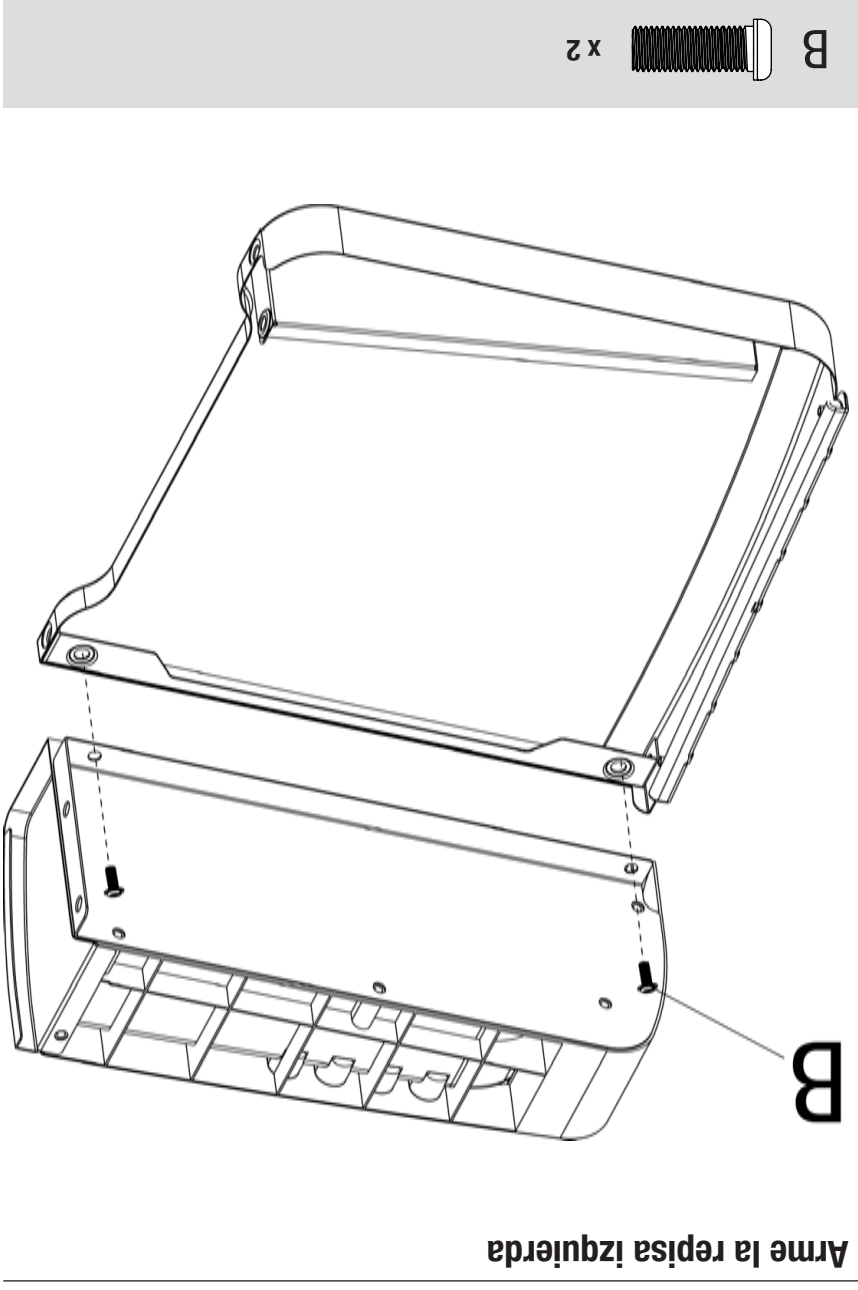
F x 2
H x 2
G x 2

12

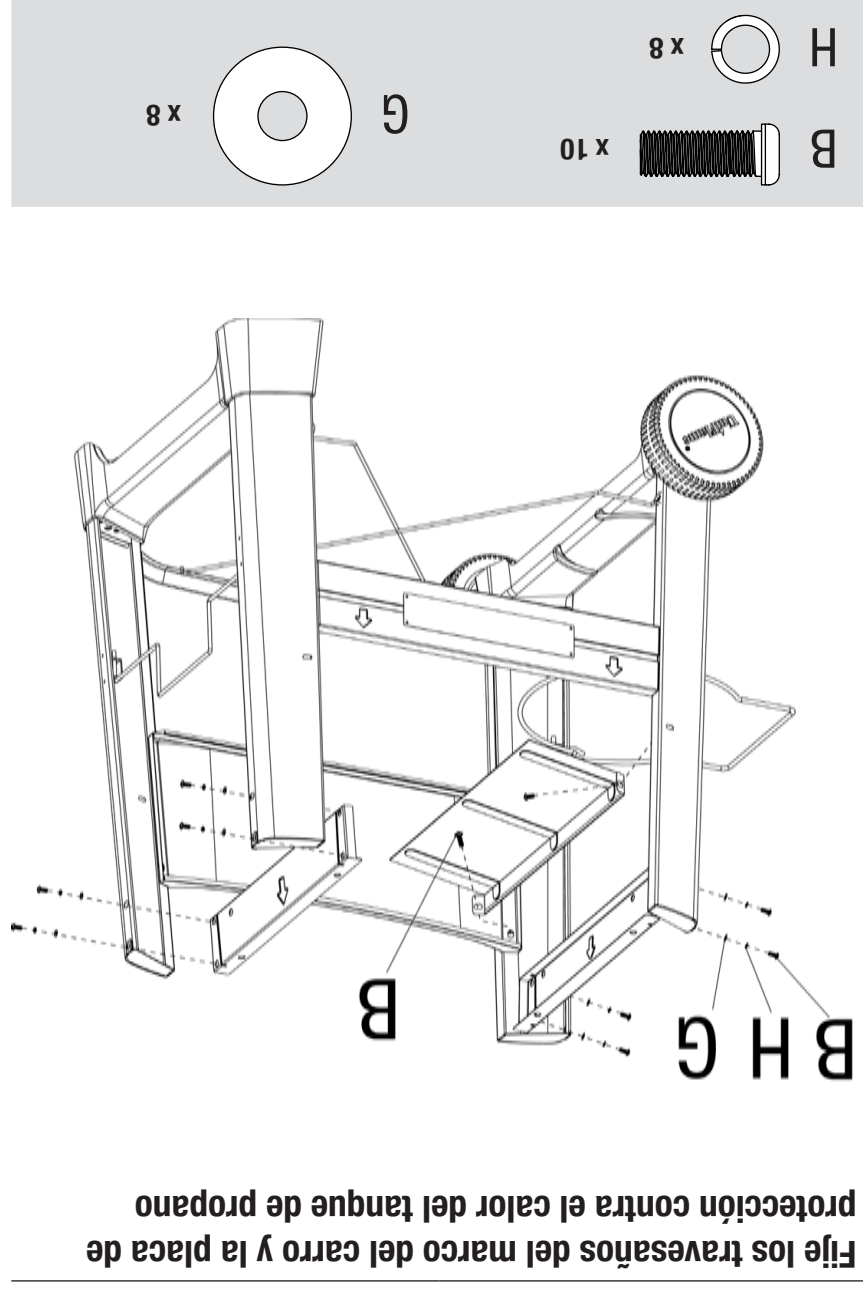
Instale el conjunto de la repisa izquierda

Note: Deje expuesto un segmento de la rosca del perno de unos 8 mm. No apriete completamente los pernos antes de terminar el paso.

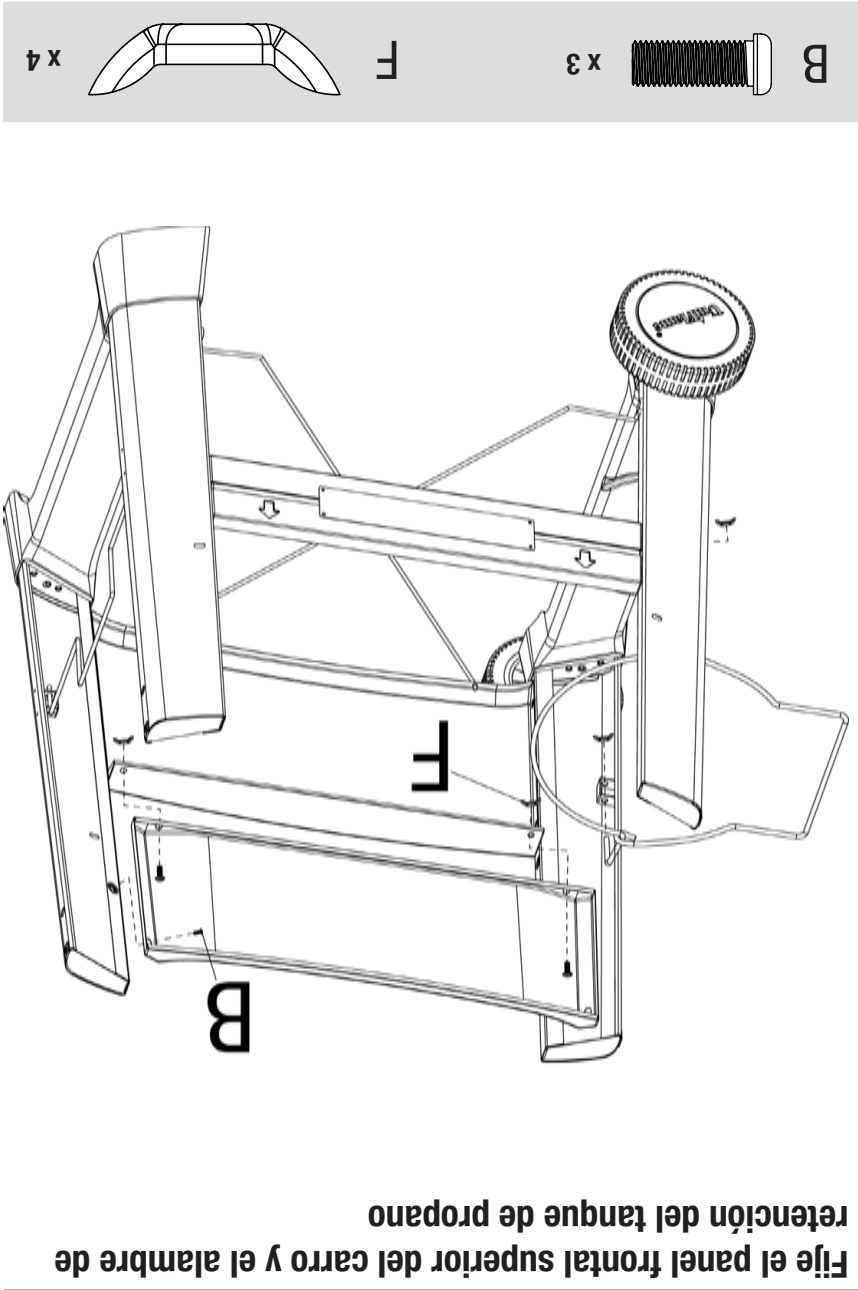
B x 6
G x 4
H x 4
C x 2



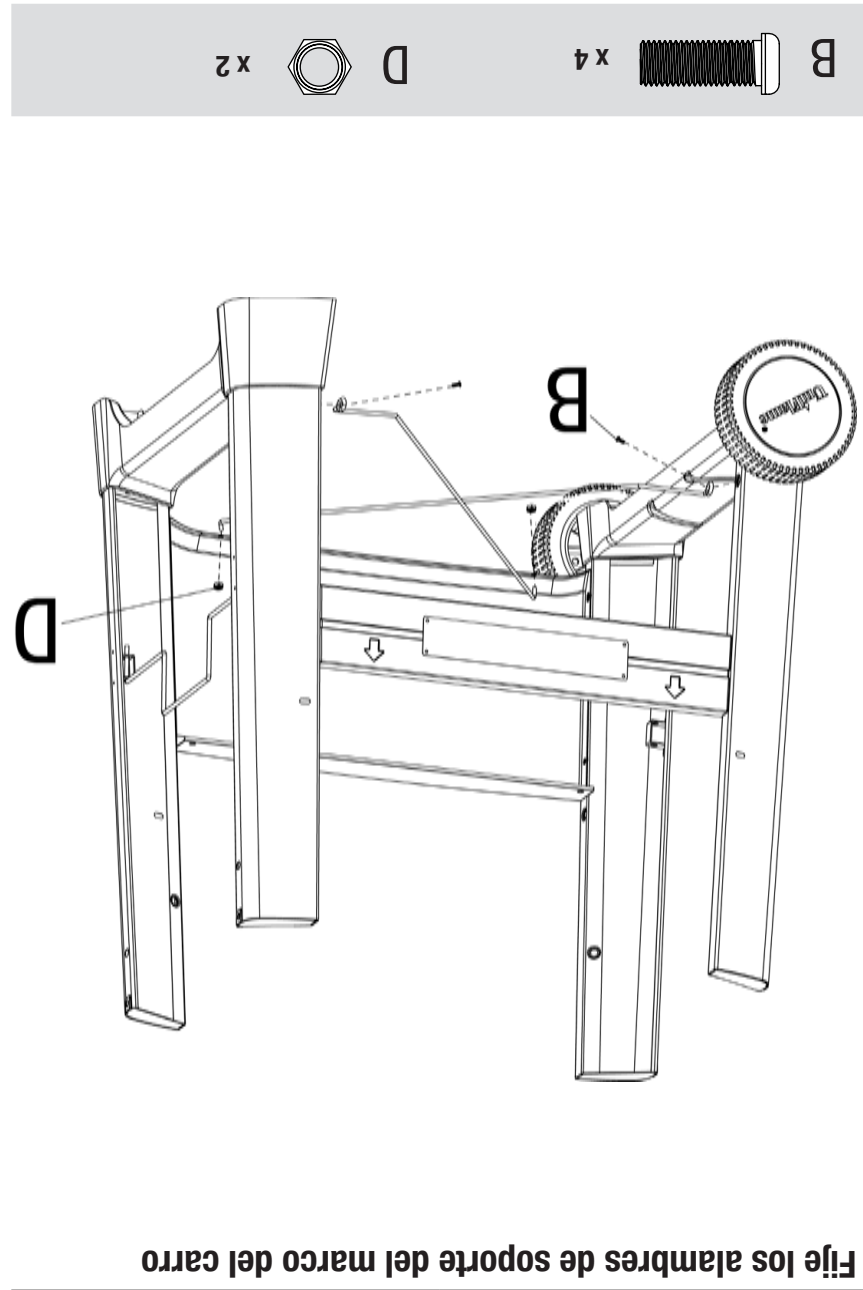
8



7



6



5



1 NO DEVUELVA EL PRODUCTO AL LUGAR DE COMPRA.

Si necesita ayuda llame, sin cargo, al 1.800.762.1142. Por favor tenga a mano su manual y el número de serie de la unidad, para referencia.

Nota: El número de serie se encuentra en la parte trasera del carro.

Para facilitar el armado:

- Evite la pérdida de componentes pequeños o elementos de ferreteria, armando el producto en un lugar de piso plano sin aberturas ni hendijas.

- Despeje un área suficientemente grande para disponer todos los componentes y los elementos de ferreteria.

- Cuando sea del caso, apriete a mano, en un principio, las conexiones de ferreteria. Una vez que ha terminado el paso, apriete completamente todos los elementos de ferreteria.

- Siga todos los pasos en el orden indicado para armar

debidamente esta unidad.

Para terminar el armado de la unidad necesitará:

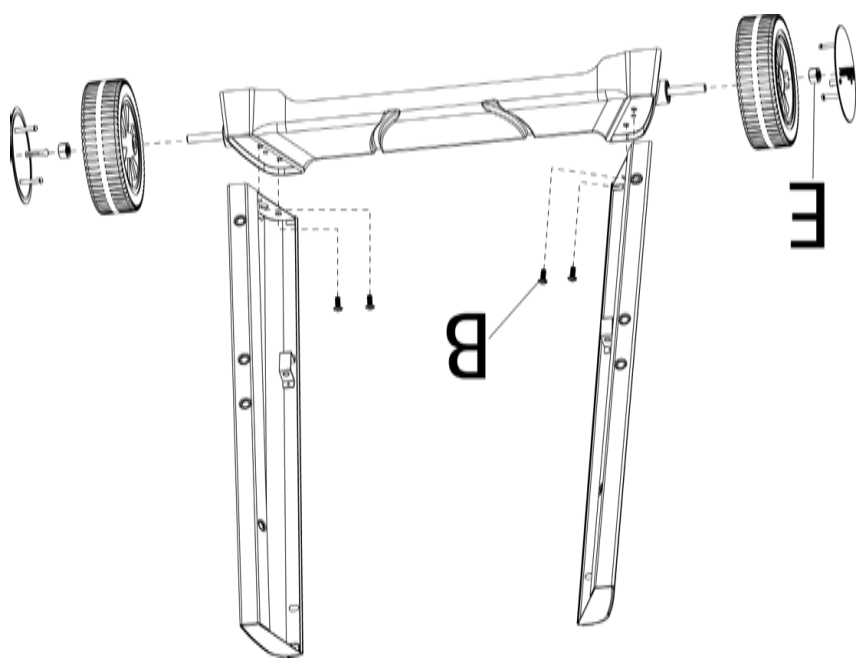
- (1) solución para detección de fugas. Las instrucciones sobre cómo preparar esta solución se encuentran en la sección "Instrucciones de operación".

- (1) un tanque de gas propano líquido (de 15 a 19 litros), para parrilla, llenado con precisión y con rosca externa Acme Tipo 1 para conexión de válvula.

Nota: Es importante que siga en forma apropiada todos los pasos de armado de la parrilla.

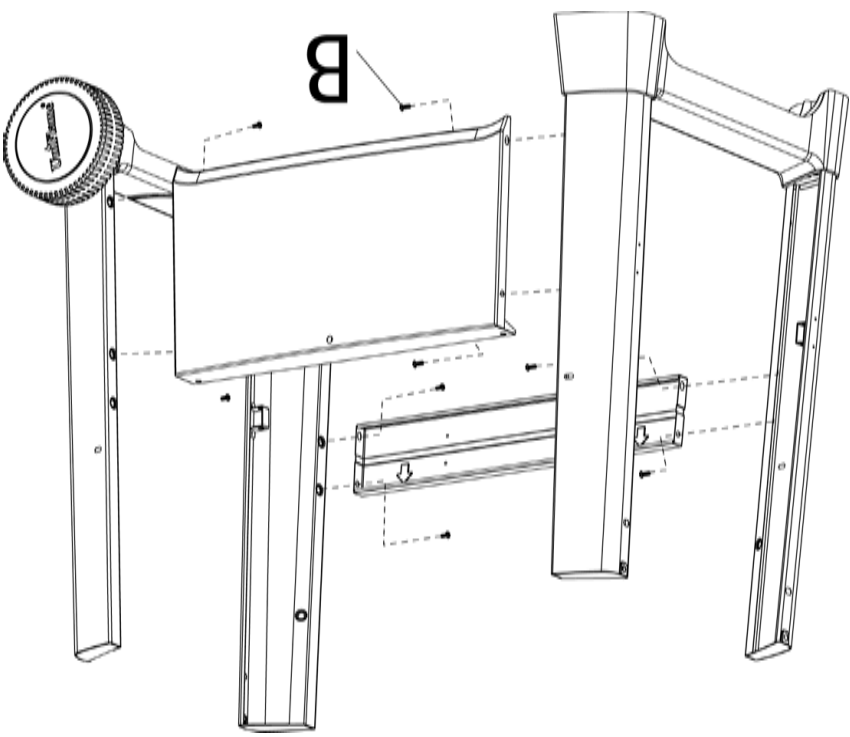
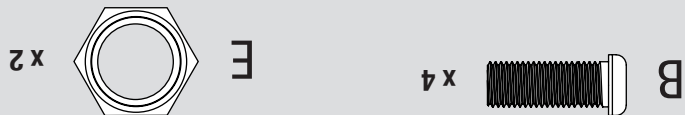
Tiempo de armado estimado: una (1) hora

1



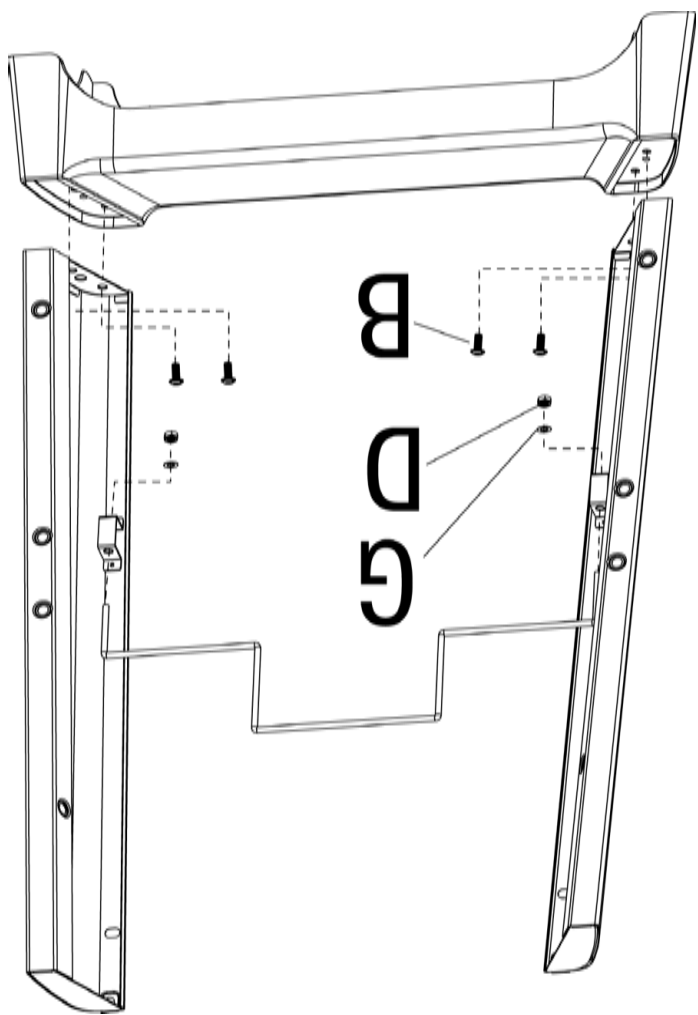
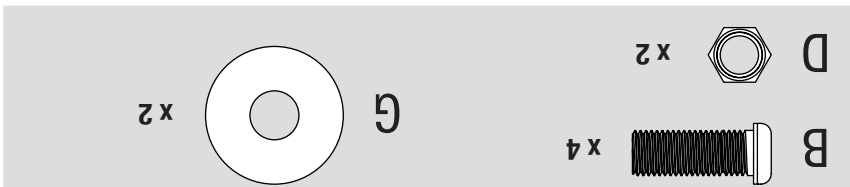
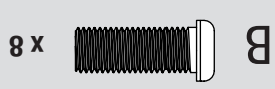
Arme el marco derecho del carro

3



Arme el carro

4



Arme el marco izquierdo del carro

2

Si necesita ayuda llame al 1.800.762.1142. No vuelva al lugar de compra.

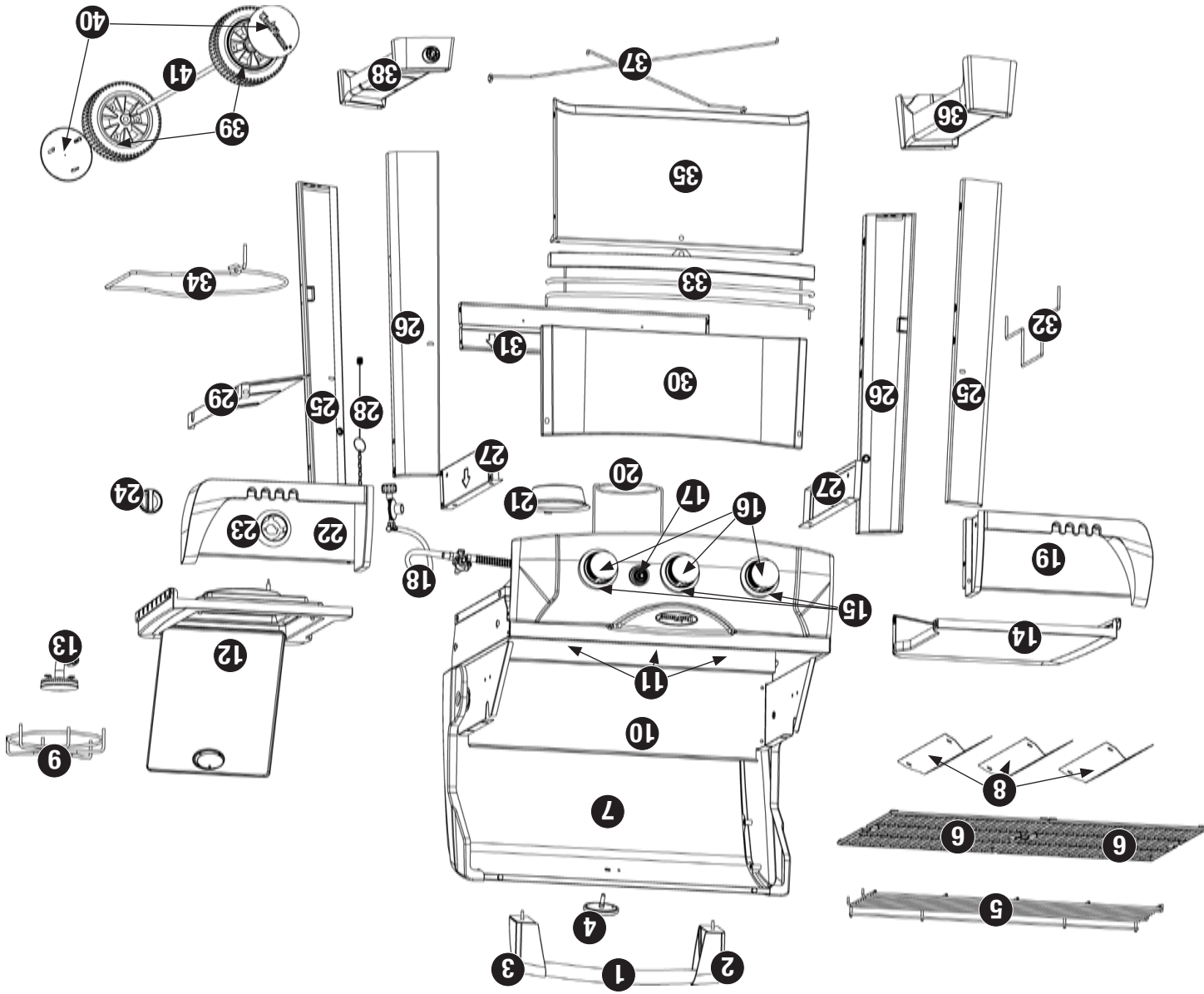
Lista de piezas

1	Manija de la tapa	55-08-115
2	Soporte izquierdo de la manija de la tapa	55-08-116
3	Soporte derecho de la manija de la tapa	55-08-117
4	Registro de temperatura	55-15-207
5	Rejilla de calentamiento	55-08-118
6	Parrilla de cocción (2)	55-08-119
7	Tapa	55-08-120
8	Placa de calor (3)	55-08-121
9	Rejilla del quemador lateral	55-15-199
10	Cuerpo de la parrilla	55-08-122
11	Quemador principal (3)	55-07-371
12	Repisa derecha	55-08-123
13	Quemador lateral	55-08-124
14	Repisa izquierda	55-08-125
15	Soporte de la perilla de control del quemador principal (3)	55-08-126
16	Perilla de control del quemador principal (3)	55-08-127
17	Botón del encendedor	55-07-387
18	Conjunto de regulador y manguera	55-08-128
19	Panel frontal de la repisa izquierda	55-08-129
20	Soporte de la taza para la grasa	55-07-379
21	Taza para la grasa	55-08-130
22	Panel frontal de la repisa derecha	55-08-131
23	Soporte de la perilla de control del quemador lateral	55-08-132
24	Perilla de control del quemador lateral	55-08-133
25	Pata A (2)	55-08-134
26	Pata B (2)	55-08-135
27	Travesaño del marco del carro (2)	55-08-136
28	Vara de encendido	55-07-396
29	Placa de protección contra el calor para el tanque de propano	55-08-137
30	Panel frontal superior del carro	55-08-138

Elementos de ferretería

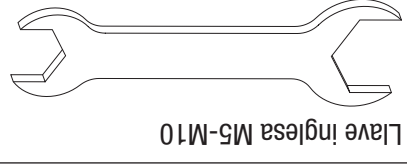
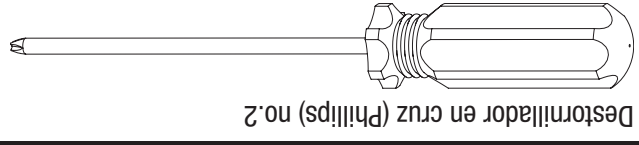
A	Tornillo	Phillips de cabeza abombada, níquelado, M4x10	4 pzs
B	Tornillo	Phillips de cabeza abombada, níquelado, M6x16	46 pzs
C	Tornillo	Phillips de cabeza abombada, níquelado, M6x25	2 pzs
D	Tuerca	Galvanizada, M5	4 pzs
E	Tuerca	Galvanizada, M10	2 pzs
F	Tuerca de mariposa	Acero, M6	6 pzs
G	Arandela	Níquelada, ø6,4	20 pzs
H	Arandela de cierre	Níquelada, ø6,4	18 pzs
I	Pila AA		1 pz

Diagrama de explosión



31	Soporte trasero del marco del carro	55-08-139
32	Alambre A de soporte del marco del carro	55-08-140
33	Canasta frontal para condimentos	55-08-141
34	Alambre de retención del tanque de propano	55-08-142
35	Panel frontal inferior del carro	55-08-143
36	Conjunto de soporte de patas izquierdas	55-08-144
37	Alambre B de soporte del marco del carro (2)	55-08-145
38	Conjunto de soporte de patas derechas	55-08-146
39	Rueda (2)	55-15-211
40	Tapacubo (2)	55-15-170
41	Eje	55-08-147

Herramientas necesarias para el armado (incluidas)



2 pzs



⚠
PARA SU SEGURIDAD:
ADVERTENCIA

1. No guarde o use gasolina u otros líquidos o vapores inflamables en la vecindad de esta unidad o de cualquier otro aparato.
2. Un tanque de propano líquido que no esté conectado para su uso no se debe almacenar cerca de éste o cualquier otro aparato.

⚠
PELIGRO

Si huele a gas -

1. Cierre la entrada de gas al aparato.
2. Apague cualquier llama activa.
3. Abra la tapa.
4. Si el olor persiste, llame inmediatamente a su proveedor de gas o al departamento de bomberos.

⚠ PELIGRO: El no seguir los avisos de peligro, las advertencias y las precauciones, puede ocasionar un incendio o una explosión, con sus consecuentes daños a la propiedad, lesiones personales y hasta accidentes fatales.

⚠ ADVERTENCIA:

Esta parrilla es para ser usada al aire libre únicamente y no debe usarse en un edificio, garaje o cualquier otra área cerrada.
 NO opere, encienda o use esta unidad a menos de 2,43 m de paredes estructuras o edificaciones.
 Esta parrilla de gas NO ha sido diseñada para uso comercial.

Esta parrilla utiliza únicamente gas de propano líquido como combustible. El convertir o tratar de convertir esta parrilla de gas propano líquido para ser usada con gas natural es peligroso e invalida la garantía de la unidad.
 Características del propano líquido (PL):
 a. El propano es inflamable y resulta peligroso si se manipula inadecuadamente. Antes de utilizar cualquier producto que emplee propano líquido, estudie detenidamente sus características.
 b. El propano es un gas explosivo bajo presión, más denso que el aire y se asienta en pozos en zonas bajas.
 c. En su estado natural, el propano no tiene ningún olor. Para su seguridad, se añade una esencia odorífera que huele a col podrida.
 d. El contacto directo con el propano líquido puede causar quemaduras frias en la piel.

Se requiere un tanque de gas propano para hacer funcionar este aparato. Únicamente tanques marcados "Propano" pueden usarse en esta unidad. El tanque de gas propano líquido (PL) debe estar fabricado y comercializado según las Especificaciones para tanques de gas PL del Departamento de Transporte (DOT) de EE.UU. o del Estándar nacional de Canadá, CAN/CSA-B339 sobre tanques, esteras y tubos para el transporte de mercancías peligrosas; y la comisión.

Verifique que el tanque de gas cuenta con mecanismo de extracción de vapor.
 El tanque de gas propano líquido debe tener un dispositivo que evite el sobrellenado del tanque (OPD).
 Utilice únicamente tanques de gas de 20 libras (9 kg) que tienen un dispositivo de conexión compatible con aparatos de cocción al aire libre. No utilice nunca un tanque de propano líquido si el cuerpo no tiene collar para proteger la válvula.
 No utilice nunca un tanque de propano líquido si el cuerpo, la válvula, el collar o el anillo inferior presentan algún daño.
 Los tanques de propano líquido abollados u oxidados pueden ser peligrosos y deberían ser revisados por su proveedor de gas PL antes de utilizarlos. No deje caer el tanque de gas propano líquido ni lo maneje bruscamente. Los tanques deben almacenarse en exteriores, en un lugar al aire libre siempre fuera del alcance de los niños y nunca en un garaje, edificio o espacio cerrado. Nunca almacene tanques de gas en un lugar en el que la temperatura supere los 125°F (51,5°C).
 No ponga nunca un tanque de gas propano lleno en un carro o camioneta calientes. El calor podría hacer que la presión del gas aumentase, lo que abriría la válvula de seguridad y haría que se escapase el gas.
 Ponga la tapa contra el polvo en la válvula de salida del tanque cuando no lo esté usando. Únicamente use la tapa contra el polvo que viene con la válvula del tanque. Otros tipos de tapones o tapas pueden crear fugas del propano.

Nunca guarde un tanque adicional de propano debajo o cerca de esta parrilla.
 Nunca llene el tanque más allá de 80% de su capacidad.
 El no seguir exactamente las instrucciones dadas arriba puede producir un incendio con daños a la propiedad, lesiones serias y hasta fatales.
 No intente acoplar esta parrilla al sistema de propano de un campero, de una casa móvil o de su propia casa.
 El uso de bebidas alcohólicas, medicamentos o drogas de farmacia puede afectar la habilidad del usuario para armar debidamente u operar en forma segura este aparato.
 No use nunca carbón de leña, líquido para encendedor, rocas de lava, gasolina, queroseno o alcohol con este aparato.
 Todas las conexiones de gas de su parrilla han sido verificadas en fábrica en cuanto a fugas de gas. Sin embargo, pruebe la integridad de todas las conexiones ya que el movimiento en transporte puede aflojar algunas de ellas.
 Verifique que no haya fugas aun si el aparato ha sido armado por otra persona.
 No opere la unidad si hay una fuga de gas. Las fugas de gas pueden provocar un fuego o una explosión.
 Antes de operar esta unidad, debe observar todos los procedimientos para verificar que no hay fugas de gas. Para evitar cualquier riesgo de fuego o de explosión al comprobar si hay fugas:

a. Compruebe siempre si hay fugas antes de encender la parrilla, cada vez que el tanque de gas está conectado.
 b. No fume. No use o permita fuentes de ignición en el área al comprobar si hay fugas.
 c. Siempre compruebe si hay fugas en exteriores donde hay una buena ventilación.
 d. No use cerillas o fósforos, encendedores o una llama para comprobar si hay fugas.

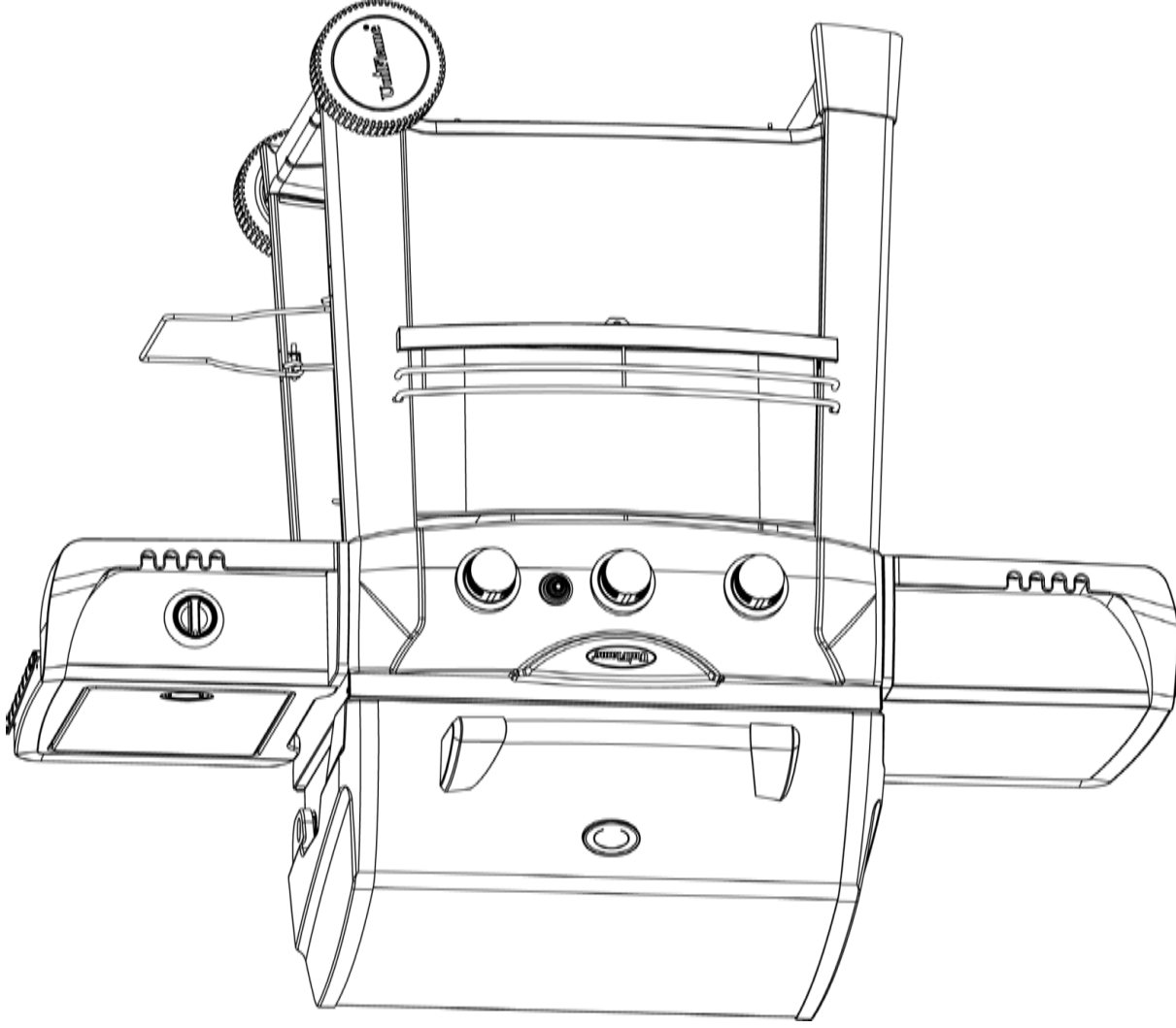
Esta parrilla hasta que todas la fugas hayan sido reparadas. Si no puede parar una fuga, desconecte el tanque de propano. Llame a un técnico o a su proveedor de propano local.
 No guarde o use gasolina u otros líquidos o vapores inflamables a menos de 7,62 m (25 pies) de esta unidad.
 No utilice el equipo en una atmósfera explosiva. Mantenga la zona de la parrilla libre de materiales combustibles, gasolina y cualquier otro vapor o líquido inflamable.
 La distancia mínima de la unidad a cualquier material o construcción combustible debe ser de por lo menos 53 cm por los costados y 53 cm por el respaldo. No coloque esta unidad debajo de aleros de materiales combustibles.
 Es fundamental mantener limpio el compartimiento de la válvula de la parrilla, los quemadores y los conductos de aire circulante. Inspeccione la parrilla antes de cada uso.
 No altere la parrilla de ninguna forma.
 No utilice la parrilla a menos que esté COMPLETAMENTE montada y que todas las piezas estén bien fijadas y apretadas.
 Esta parrilla de gas debe limpiarse y verificarse completamente de manera regular. Limpie y revise la manguera antes de cada uso del aparato. Si detecta alguna señal de abrasión, desgaste, cortes o fugas, deberá sustituir la manguera antes poner en marcha el aparato.
 Utilice únicamente el regulador y el conjunto de manguera incluido. El regulador de repuesto y el conjunto de manguera de repuesto serán los especificados por el fabricante.
 Use únicamente piezas autorizadas de fábrica de Blue Rhino Global Sourcing, Inc. El uso de cualquier pieza no autorizada de fábrica puede ser peligroso.
 No encienda esta unidad sin haber leído las instrucciones de "Encendido" que se encuentran en este manual.
 No toque las piezas de metal de la parrilla hasta que no se haya enfriado completamente (alrededor de 45 minutos) para evitar quemaduras, a menos que usted tenga puestos elementos de protección tales como guantes o almohadilla para las ollas, guantes de barbacoa, etc.
 Cuando esté cocinado, tenga fácilmente accesibles los elementos para extinguir un incendio. En caso de que la sustancia de freír se incendie no trate de extinguir el fuego con agua. Use un extinguidor de material químico seco tipo BC o ahogue el fuego con tierra, arena o soda de hornear.
 NO instalar o utilizar en embarcaciones o vehículos de recreo.
 No utilice la parrilla si hace mucho viento.
 Nunca se apoye sobre la parrilla cuando la está encendiendo.
 No deje una parrilla encendida sin vigilancia, especialmente, mantenga los niños y las mascotas lejos de la parrilla en todo momento.
 No intente mover la parrilla mientras esté encendida. Deje que la parrilla se enfríe antes de moverla o guardarla.
 El almacenamiento del aparato en un espacio cerrado sólo está permitido si el tanque está desconectado, desmontado del aparato y guardado al aire libre.

Abra siempre la tapa de la parrilla en forma cuidadosa y lentamente, pues el calor y el vapor que hay dentro de la parrilla pueden ocasionarle severas quemaduras.
 No trate de desconectar el regulador de gas del tanque, o cualquier otro accesorio de la línea de gas, mientras esté usando la parrilla.
 Coloque siempre la parrilla sobre una superficie firme y nivelada, alejada de productos combustibles. Una superficie de asfalto o de pavimento puede que no sea adecuada para este propósito.
 Retire las mangueras de gas lo más lejos posible de las superficies calientes y de las zonas donde gotee grasa caliente.
 Mantenga todos los cables eléctricos lejos de una parrilla caliente. Los gases TOXICOS pueden acumularse y provocar la asfixia.
 Después de un periodo de almacenamiento o de falta de uso de la unidad, verifique que no haya fugas u obstrucciones en el quemador e inspeccione la manguera para detectar zonas gastadas o cortes en ella.
 El no abrir la tapa cuando se están encendiendo los quemadores de la parrilla, o el no esperar cinco minutos para permitir que el gas salga de la parrilla cuando el gas no se ha encendido, puede provocar una llamarada explosiva.
 Si la parrilla no se está usando, el gas debe cerrarse en el tanque de suministro.

Nunca opere la parrilla antes de haber instalado las placas de calor. Use siempre un termómetro para carne para asegurar que la comida ha quedado cocida a la temperatura apropiada.
 Por favor, use guantes de protección cuando esté armando este producto. No trate de forzar las piezas juntas pues esto puede ocasionar lesiones o dañar el producto.
 El no seguir exactamente las instrucciones dadas arriba puede producir daños a la propiedad, lesiones serias y hasta fatales.

Parrilla de gas propano para exteriores

Modelo no. GBC831WB



ADVERTENCIA
PARA SU SEGURIDAD:



Solamente para uso en exteriores
(fuera de cualquier recinto)

1. Una instalación, ajuste, alteración, reparación o mantenimiento inadecuados pueden causar lesiones o daños a la propiedad.

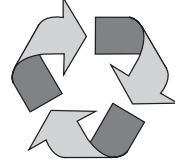
2. Lea atentamente las instrucciones de instalación, funcionamiento y mantenimiento del equipo antes de instalarlo, ponerlo en marcha o darle servicio.

3. El no seguir estas instrucciones puede ocasionar un incendio o una explosión, con sus consecuentes daños a la propiedad, lesiones personales y hasta accidentes fatales.



ADVERTENCIA
PARA SU SEGURIDAD:

Conservar estas instrucciones para futuras consultas. Si está montando esta unidad para otra persona, entéguele este manual para futuras consultas.



Hecho con 70% de bagazo de caña de azúcar respetuoso del medio ambiente)



Fabricado en China para:
Blue Rhino Global Sourcing, Inc.
Winston-Salem, NC EE.UU.
1.800.762.1142, www.bluerhino.com

© 2007 Blue Rhino Global Sourcing, Inc. Todos los derechos reservados.
UniFlame® es una marca registrada de Blue Rhino Global Sourcing, Inc. Todos los derechos reservados.

GBC831WB-OM-103 ES

Índice

Salvaguardias importantes	2
Diagrama de explosión y elementos de ferretería	3
Instrucciones de armado	4
Instalación del tanque de gas propano líquido (PL)	10
Inserte el tanque de propano	10
Asegure el tanque de propano	10
Conecte el tanque de propano	10
Instrucciones de operación	10
Comprobar si hay fugas	10
Operación de los quemadores principales	10
Operación del quemador lateral	11
Limpeza y cuidado	12
Registro del producto	12
Garantía limitada	12
Resolución de problemas	13

El uso e instalación de este producto ha de realizarse de acuerdo con los códigos locales. Si no existen códigos locales, use las normas siguientes: *Código Nacional para Gas y Combustibles, ANSI Z223.1/NFPA 54, CAN/CGA-B149.1, Código de Instalación de Propano y Gas Natural.*

Proposición 65 de California: La combustión del propano crea productos químicos considerados por el Estado de California como causantes de cáncer, malformaciones congénitas u otros daños reproductivos.

Free Manuals Download Website

<http://myh66.com>

<http://usermanuals.us>

<http://www.somanuals.com>

<http://www.4manuals.cc>

<http://www.manual-lib.com>

<http://www.404manual.com>

<http://www.luxmanual.com>

<http://aubethermostatmanual.com>

Golf course search by state

<http://golfingnear.com>

Email search by domain

<http://emailbydomain.com>

Auto manuals search

<http://auto.somanuals.com>

TV manuals search

<http://tv.somanuals.com>