



CALL-IN SWITCH

Model CA19

Description

The Bogen Model CA19 is a momentary, rocker-type call switch designed for use with Bogen Multicom 2000[®] Communication Systems. The CA19 will facilitate single-push call-in on the same station and wiring as the Bogen enhanced staff stations (MCESS or MCWESS) set to Level 4, 5, or 6. The CA19 requires just two conductors back to the system head-end. The CA19 may also be used for staff stations set to Levels 1, 2, or 3. Any station using the CA19 must have an associated speaker.

Note

Requires special version Multicom Software V6.3 (MCPCA25W63).

Operation

When pushed once and released, the CA19 will send two square wave-pulses simulating the telephone going off-hook and on-hook twice. This will establish a logged call into the designated administrative station. The switch may also be used to initiate an emergency call if pressed twice with a one-second interval between presses.

Note

The CA19 will operate only when the associated staff or enhanced staff handset in is the on-hook position.

Installation

The CA19 is designed for flush-mounted installation in a single-gang box. The figure below illustrates the proper wiring connections. **Important:** The shield must not be grounded at any point other than the system head-end.

Caution

Observe color coding. The red wire connects to the station annunciator point while the black wire connects to the station ground point.

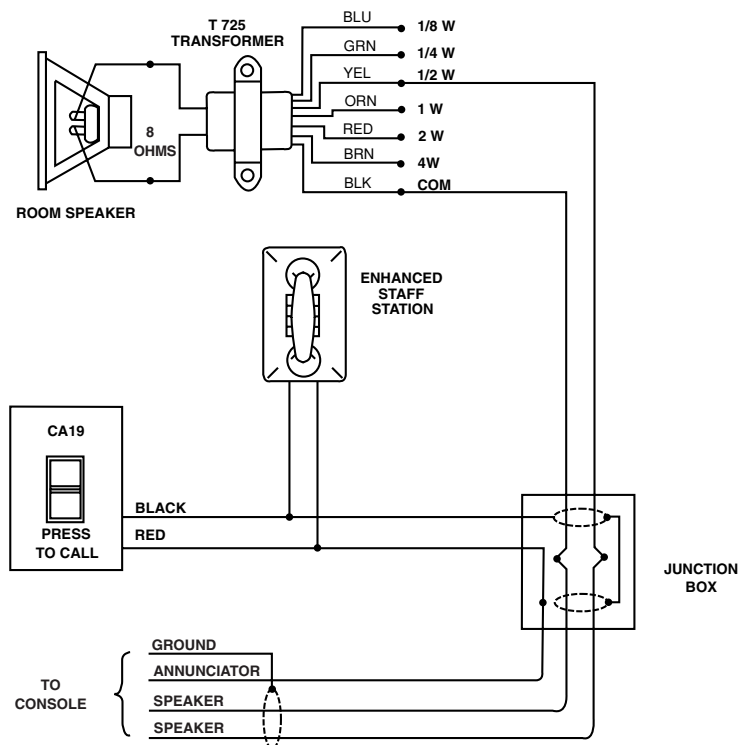


FIGURE - MODEL CA19, CONNECTING DIAGRAM

Free Manuals Download Website

<http://myh66.com>

<http://usermanuals.us>

<http://www.somanuals.com>

<http://www.4manuals.cc>

<http://www.manual-lib.com>

<http://www.404manual.com>

<http://www.luxmanual.com>

<http://aubethermostatmanual.com>

Golf course search by state

<http://golfingnear.com>

Email search by domain

<http://emailbydomain.com>

Auto manuals search

<http://auto.somanuals.com>

TV manuals search

<http://tv.somanuals.com>