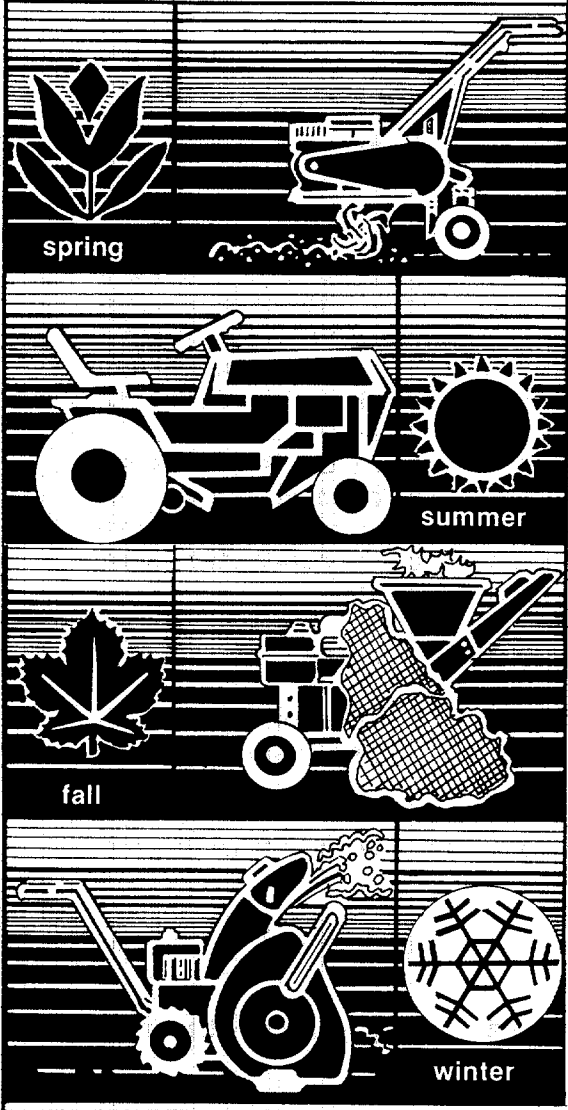


OWNER'S GUIDE

OUTDOOR POWER EQUIPMENT
for all seasons



**20"
ELECTRIC
ROTARY
MOWER**

**Model Numbers
185-070-000
18070S
82-0629**

**Important:
Read Safety Rules and
Instructions Carefully**

Thank you for purchasing
an American-built product.

INDEX

Safe Operation Practices	3	Maintenance	9
Assembly	5	Off-Season Storage	9
Controls	6	Illustrated Parts	10
Operation	7	Repair Parts List	11
Lubrication	9	Parts Information	Back Cover



Instructions given with this symbol are for personal safety. Be sure to follow them.

LIMITED WARRANTY

For one year from the date of original retail purchase, MTD PRODUCTS INC will either repair or replace, at its option, free of charge, F.O.B. factory or authorized service firm, any part or parts found to be defective in material or workmanship. Transportation charges for the movement of any power equipment unit or attachment are the responsibility of the purchaser. Transportation charges for any parts submitted for replacement under this warranty must be paid by the purchaser unless such return is requested by MTD PRODUCTS INC.

This warranty will not apply to any part which has become inoperative due to misuse, excessive use, accident, neglect, improper maintenance, alterations, or unless the unit has been operated and maintained in accordance with the instructions furnished. This warranty does not apply to the engine, motor, battery, battery charger or component parts thereof. Please refer to the applicable manufacturer's warranty on these items.

This warranty will not apply where the unit has been used commercially.

Warranty service is available through your local authorized service dealer or distributor. If you do not know the dealer or distributor in your area, please write to the Customer Service Department of MTD.

The return of a complete unit will not be accepted by the factory unless prior written permission has been extended by MTD.

This warranty gives you specific legal rights. You may also have other rights which vary from state to state.



WARNING

To reduce the potential for any injury, comply with the following safety instructions. Failure to comply with the instructions may result in personal injury.

SAFE OPERATION PRACTICES FOR WALK-BEHIND ELECTRIC MOWERS

TRAINING

1. Read this owner's manual carefully in its entirety before attempting to assemble or operate this machine. Be completely familiar with the controls and the proper use of this machine before operating it. Keep this manual in a safe place for future and regular reference and for ordering replacement parts.
2. Your rotary mower is a precision piece of power equipment, not a plaything. Therefore, exercise extreme caution at all times.
3. Never allow children to operate a power mower. Only persons well acquainted with these rules of safe operation should be allowed to use your mower.
4. No one should operate this unit while intoxicated or while taking medication that impairs the senses or reactions.
5. Keep the area of operation clear of all persons, particularly small children and pets. Stop motor when they are in the vicinity of your mower. Although the area of operation should be completely cleared of foreign objects, an object may have been overlooked and could be accidentally thrown by the mower in any direction and cause serious personal injury to the operator or any others allowed in the area.

PREPARATION

1. Thoroughly inspect the area where the equipment is to be used. Remove all stones, sticks, wire, bones and other foreign objects which could be picked up and thrown by the mower in any direction and cause serious personal injury to the operator or any others allowed in the area.
2. Do not operate equipment when barefoot or wearing open sandals. Always wear substantial footwear. Use of rubber gloves and footwear is recommended when working outdoors.
3. Do not wear loose fitting clothing or jewelry. They can get caught in moving parts.
4. To prevent electric shock, do not operate this machine in damp or wet locations or in rain.
5. Disengage the self-propelled mechanism or drive clutch on units so equipped before starting the engine.
6. The blade control switch is a safety device. Never attempt to bypass its operation. Doing so makes the safety device inoperative and may result in personal injury through contact with the rotating blade.
7. Never attempt to make a wheel or cutting height adjustment while the motor is running.
8. Mow only in daylight or in good artificial light.
9. Never operate the equipment in wet grass. Always be sure of your footing. A slip and fall

can cause serious personal injury. Keep a firm hold on the handle and walk, never run.

10. Warning—To prevent electric shock, use only with an extension cord suitable for outdoor use. Extension cord is available from your dealer. Order part number 780-0364.
11. Extension Cord—To prevent disconnection of extension cord from mower during operation, be sure to use the cord restraint provided. Replacement cord restraints are available through your dealer.

OPERATION

1. Avoid unintentional starting. Don't carry plugged-in lawn mower with finger on switch. Be sure switch is **off** when plugged in.
2. Don't abuse cord—never carry lawn mower by cord or yank it to disconnect from receptacle. Keep cord from heat, oil, and sharp edges.
3. Do not put hands or feet near or under rotating parts. Keep clear of the discharge opening at all times as the rotating blade can cause injury.
4. Stop the blade when crossing gravel drives, walks or roads.
5. After striking a foreign object, stop the motor, unplug power cord, and thoroughly inspect the mower for any damage. Repair the damage before restarting and operating the mower.
6. If the equipment should start to vibrate abnormally, stop the motor and check immediately for the cause. Vibration is generally a warning of trouble.
7. Shut the motor off and wait until the blade comes to a complete stop before removing the grass catcher or unclogging the chute. The cutting blade continues to rotate for a few seconds after the motor is shut off. Never place any part of the body in the blade area until you are sure the blade has stopped rotating.
8. Before cleaning, repairing or inspecting, make certain the blade and all moving parts have stopped. Always disconnect electric mower from power supply before cleaning, repairing or adjusting.
9. Don't force lawn mower. It will do the job better and safer at the rate for which it was designed. Do not use lawn mower for any job except that for which it is intended.
10. Mow across the face of slopes, never up-and-down. Exercise extreme caution when changing direction on slopes. Do not mow excessively steep slopes. Always be sure of your footing. A slip and fall can cause serious personal injury.
11. Never operate mower without proper guards, plates or other safety protective devices in place.

SAFE OPERATION PRACTICES (Continued)

MAINTENANCE AND STORAGE

1. Check the blade and motor mounting bolts at frequent intervals for proper tightness.
2. Keep all nuts, bolts, and screws tight to be sure the equipment is in safe working condition.
3. Keep blade sharp.
4. Use identical replacement parts only. Repair or replace damaged cord.
5. To reduce fire hazard, keep the motor free of grass, leaves, or excessive grease.
6. Check the grass catcher bag frequently for wear or deterioration. For safety protection, replace only with new bag meeting original equipment specifications.
7. Store idle lawn mower indoors when not in use. Lawn mower should be stored indoors in dry, high or locked-up place, out of reach of children.
8. Maintain lawn mower with care. Keep cutting edges sharp and clean for best and safest performance. Follow instructions for lubricating and changing accessories.



NOTE

The use of any accessory on this Rotary Mower other than those shown in this manual is **not** recommended.

GRASS CATCHER Model 065 is available as optional equipment for the mower shown in this manual.



WARNING

1. DO NOT operate the mower without the entire grass catcher or chute deflector in place.
2. DO NOT operate the mower without the protective shield on the rear of the deck in place.



NOTE

Under normal usage bag material is subject to wear and should be checked periodically. Be sure any replacement bag complies with the mower manufacturer's recommendations.

For replacement bags, use only factory authorized replacement bag No. 764-0217.

ASSEMBLY INSTRUCTIONS



NOTE

Reference to right or left hand side of the mower is observed from the operating position.

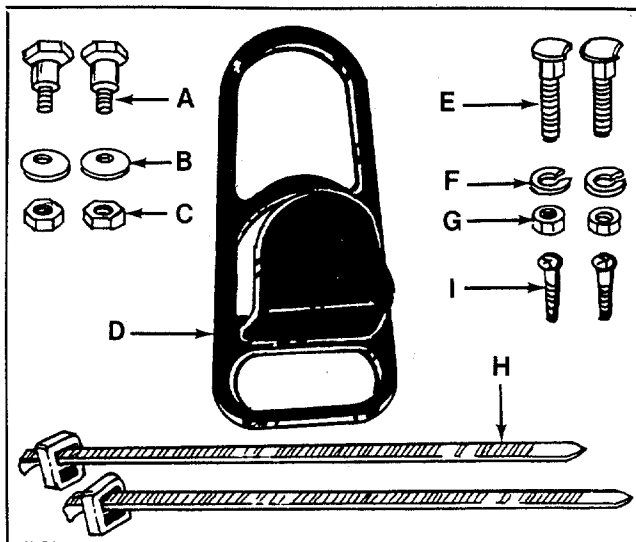


FIGURE 1.

← CONTENTS OF HARDWARE PACK: (See figure 1)

- A (2) Shoulder Bolts
- B (2) Belleville Washers 5/16" I.D.
- C (2) Hex Lock Nuts 5/16-18 Thread
- D (1) Cord Restraint
- E (2) Curved Carriage Bolts
- F (2) Lock Washers 5/16" I.D.
- G (2) Hex Nuts 5/16-18 Thread
- H (2) Cable Ties
- I (2) Self-Tapping Screws
- J (1) Plastic Plug (Not Shown)

1. Remove lawn mower and loose parts from carton. Make certain all parts and literature have been removed from the carton before the carton is discarded.
2. Extend the control cord and place on the floor. Be careful not to bend or kink control cord.

LOWER HANDLE INSTALLATION

Line up the upper slotted hole in lower handle with the mounting hole on deck. Place shoulder bolt (A) through lower handle and deck. See figure 2. Place belleville washer (B) on the shoulder bolt, with the cupped side of the washer against the deck. Secure with hex lock nut (C).

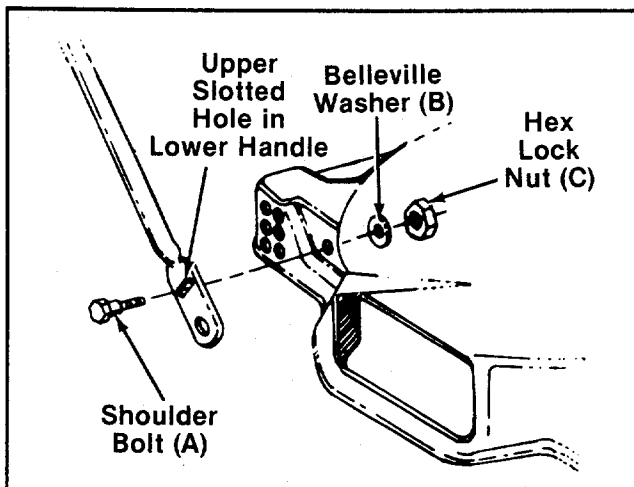


FIGURE 2.



NOTE

It may be necessary to bend the ends of the lower handle inward slightly to obtain a tight fit against the deck.

UPPER HANDLE INSTALLATION

1. Place the cord restraint (D) onto the upper handle. See figure 3.
2. Place the upper handle in position over the lower handle. The two holes for the motor/blade control must be on the right hand side of the handle. Secure the upper handle using the curved head bolts (E), lock washers (F) and hex nuts (G) as shown in figure 3. Make sure the cord restraint is on the right side of the handle.

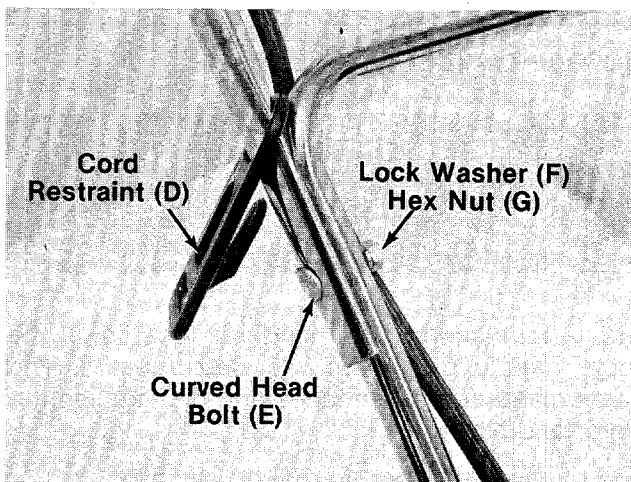


FIGURE 3.

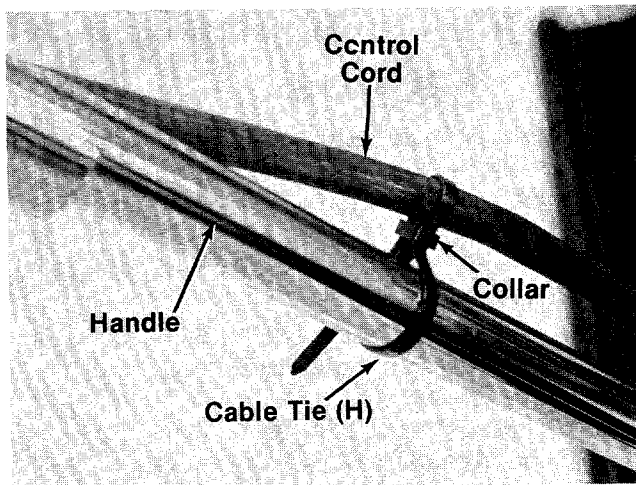


FIGURE 4.

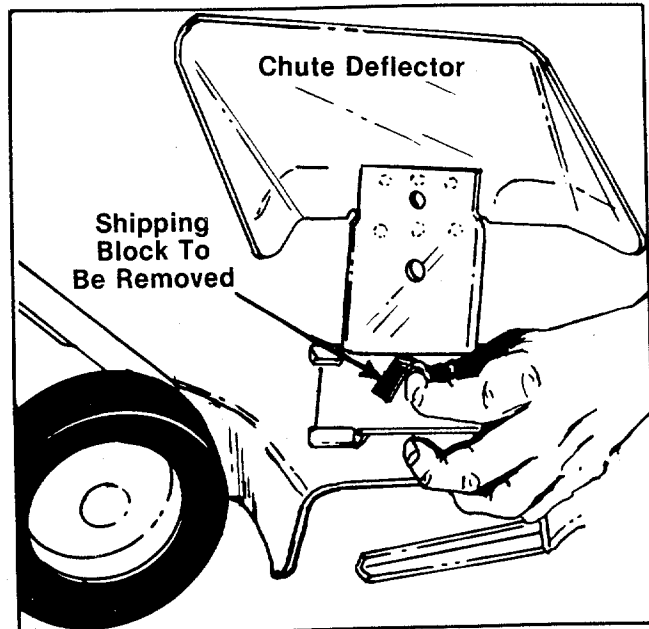


FIGURE 5.

3. Attach the motor/blade control to the upper handle as follows:

Spread the hinged sides of the control housing and place in position on the right hand side of the handle. See figure 6, below. The posts inside the hinged parts on the housing must go into the two holes in the handle.

Secure motor/blade control housing to the handle with two self-tapping screws (I).

4. The cable ties act as insulators between the handle and the control cord. Secure the control cord to upper and lower handles with cable ties (H) as follows. See figure 4.

A. Loop the cable tie (smooth side out) around the handle and feed the end of the cable tie back into the same slot in the collar.

B. Loop the remainder of the cable tie (smooth side out) around the control cord and feed the end of the cable tie through the open slot in the collar.

C. Cut off excess ends of cable ties.

FINAL CHECK

Press the plastic plug (J) into the hole in the top rear of deck. Refer to illustration on page 10, reference number 52.

Check all nuts and bolts for correct tightness.



CAUTION

Please note that the chute deflector on your mower is in an upright position. It is held in the position by a shipping block. This block is used for shipping purposes only. It must be removed and discarded before your mower is put into operation. See figure 5.

CONTROLS

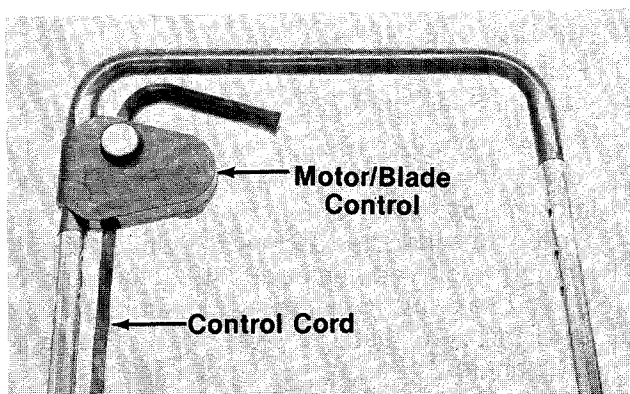


FIGURE 6.

MOTOR/BLADE CONTROL

WARNING

THIS CONTROL MECHANISM IS A SAFETY DEVICE. NEVER ATTEMPT TO BYPASS ITS OPERATIONS

The motor/blade control handle is located on the upper handle of the mower. See figure 6. The motor/blade control engages and disengages the motor and blade.

To engage the motor and blade, push the button and hold, then squeeze the motor/blade control handle against the upper handle.

NOTE

The button in the center of the motor/blade control is a release mechanism. Be certain to push the button and hold it in until the motor/blade control is squeezed against upper handle. Failure to follow these instructions will result in damage to the motor/blade control.

To stop the motor and blade, release the motor/blade control handle.



The blade will be rotating whenever the motor is running.

The control cord is double insulated.



To reduce the risk of electric shock, do not expose the control to water. Replace damaged cord immediately.

ELECTRIC POWER SOURCE

Any convenient 110-120 volt 60 cycle A.C. outlet or receptacle may be used for your source of power. This outlet may be located either out of doors or indoors. If an inside receptacle is used, the extension cord can be taken out either through the doorway or a window. To avoid blowing fuses, pick an outlet that is not overloaded. Your mower will operate satisfactorily on a circuit that is fused for 15 amperes. Do not use oversize fuses without consulting your power company.

The outlet on the mower for the power source is located on the back side of the motor/blade control. See figure 7.

NOTE

The outlet on the mower is polarized and the extension cord will fit into it one way only. Forcing the plug will cause damage to the receptacle.

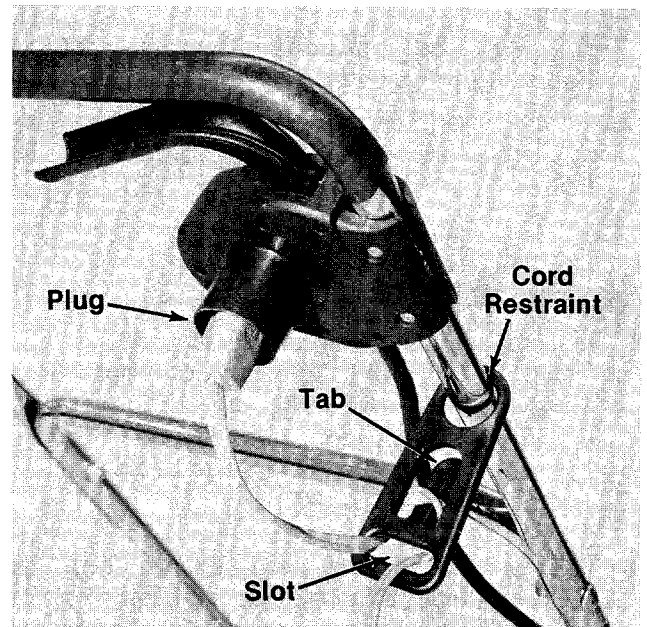


FIGURE 7.

OPERATION



FIGURE 8.

Keep hands and feet away from the chute area on cutting deck. See figure 8.

NOTE

The wheels on your unit are set in a low cutting height position for shipping purposes. For best results, raise the cutting position until it is determined which height is best for your lawn. See cutting height adjustment.

BEFORE STARTING

1. Read all the instructions carefully before operating the mower.
2. Attach extension cord (not provided with unit), to the power source and the motor/blade control.



To prevent electric shock, use only with a 100 foot long extension cord having No. 16. AWG conductors, suitable for outdoor use. Extension cord is available from your dealer. Order Part No. 780-0364.

3. Form a small loop in the extension cord. Slip the loop through the slot on the bottom of the cord restraint, and up over the tab, to prevent disconnection from the motor/blade control during operation. Keep the cord restraint as close to the motor/blade control as possible. See figure 7.

TO START MOTOR AND ENGAGE BLADE

Standing behind the unit, push the button and hold it in, and then squeeze the motor/blade control handle and hold it against the upper handle as shown in figure 9.

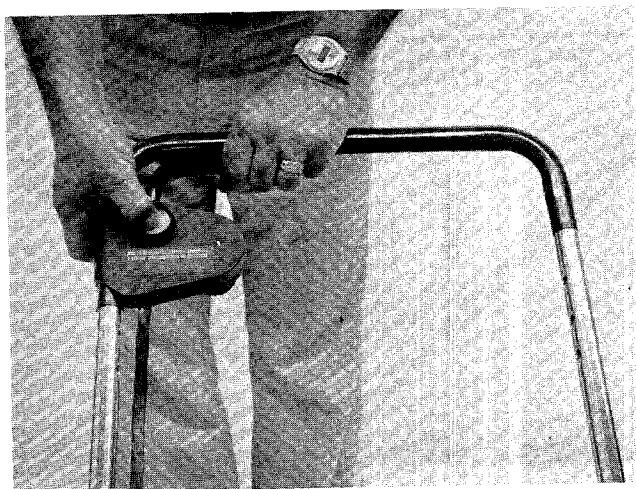


FIGURE 9.

TO STOP MOTOR AND BLADE

1. Release the motor/blade control handle to stop the engine and blade.



The blade continues to rotate for a few seconds after the motor is shut off.

2. Disconnect the power source to prevent accidental starting while equipment is unattended.

USING YOUR ROTARY MOWER

Be sure that lawn is clear of stones, sticks, wire, or other objects which could damage lawn mower or engine. Such objects could be accidentally thrown by the mower in any direction and cause serious personal injury to the operator and others.

To prevent electric shock, do not operate the mower in damp or wet locations.

Begin mowing at the point nearest the electrical outlet, keeping the cord close to the outlet and out of the way of the mower. Cut grass moving away from the outlet so that the cord lies in the cut portion of the lawn. Be sure that the clippings are discharged on the cut portion of the lawn.

To cut heavy grass, reduce walking speed to allow more effective cut and distribution of the clippings. For best results, cut off one-third or less of the total length of the grass. Lawn should be cut in the fall as long as there is growth.

➔ IMPORTANT

If you strike a foreign object, stop the motor. Disconnect the power source, thoroughly inspect the mower for any damage, and repair the damage before restarting and operating the mower. Extensive vibration of the mower during operation is an indication of damage. The unit should be promptly inspected and repaired.

CUTTING HEIGHT ADJUSTMENT



Do not at any time make any adjustment to lawn mower without first stopping motor and disconnecting the power source.

Adjustment may be made by removing and moving axle bolts to desired position. Cutting heights will be raised as axle bolts are moved to a lower hole and lowered as axle bolts are moved to a higher hole in the deck. All axle bolts must be mounted in the same relative position. Belleville washers must be assembled on the inside and outside of the deck so that the cupped side of the washers are against the deck. The larger belleville washer should be assembled on the inside of the deck, except when lowest cutting position (highest hole in the deck) is used. The spacers must be assembled between the rear wheels and the belleville washers. Refer to illustration on page 10.

LUBRICATION



WARNING

Always stop engine and disconnect the power source before cleaning, lubricating or doing any kind of work on lawn mower.

Chute Deflector—The torsion spring and pivot point should be lubricated periodically with light oil to prevent any rust or binding. Deflector must work freely.

Wheels—Wheels require no lubrication. However, if the wheels are removed for any reason, lubricate the surface of the axle bolt and the inner surface of the wheel with light oil. A 4 oz. plastic bottle of light oil lubricant is available. Order part number 737-0170. Engine oil may also be used.

MAINTENANCE

CUTTING BLADE

A. Removal for Sharpening or Replacement



WARNING

Be sure to disconnect the power source before working on the cutting blade to prevent accidental motor starting.

Remove the large bolt and two Belleville washers which holds the blade and adapter to the engine crankshaft. Remove the blade and adapter from the crankshaft.

If the blade or blade adapter needs replacing, remove the two small bolts, lock washers and nuts which hold the blade to the adapter.



CAUTION

Periodically inspect the blade adapter for cracks, especially if you strike a foreign object. Replace when necessary.

B. Sharpening

Remove the cutting blade by following the directions of the preceding section.

When sharpening the blade, follow the original angle of grind as a guide. It is **extremely important** that each cutting edge receives an equal amount of grinding to prevent an unbalanced blade. An unbalanced blade will cause excessive vibration when rotating at high speeds, may cause damage

to the mower and could break, causing personal injury.

It is recommended that the blade always be removed from the adapter for the best test of balance. The blade can be tested by balancing it on a round shaft screwdriver. Remove metal from the heavy side until it balances evenly.

C. Reassembly

Before reassembling the blade and the blade adapter to the unit, lubricate the engine crankshaft and the inner surface of the blade adapter with light oil. Lubricating the bolt holes, bolts and inner surface of the nuts with light oil is also recommended. A 4 oz. plastic bottle of light oil lubricant is available. Order part number 737-0170. Engine oil may also be used.

When replacing the blade, be sure to install the blade with the side of the blade marked "Bottom" (or with part number) facing the ground when the mower is in the operating position.

Blade Mounting Torque

5/16" Dia. Bolt 150 in. lb. min., 250 in. lb. max.

To insure safe operation of your unit, **all** nuts and bolts must be checked periodically for correct tightness.

DECK

The underside of mower deck should be cleaned after each period of use as grass clippings, leaves, dirt and other matter will accumulate. This accumulation of grass clippings, etc., is undesirable as it will invite rust and corrosion and may cause an uneven discharge of grass clippings at the next cutting.

Disconnect the power source. Tilt the mower forward or on its side and scrape clean with a suitable tool.



WARNING

To reduce the risk of electric shock, do not expose to water.

OFF-SEASON STORAGE

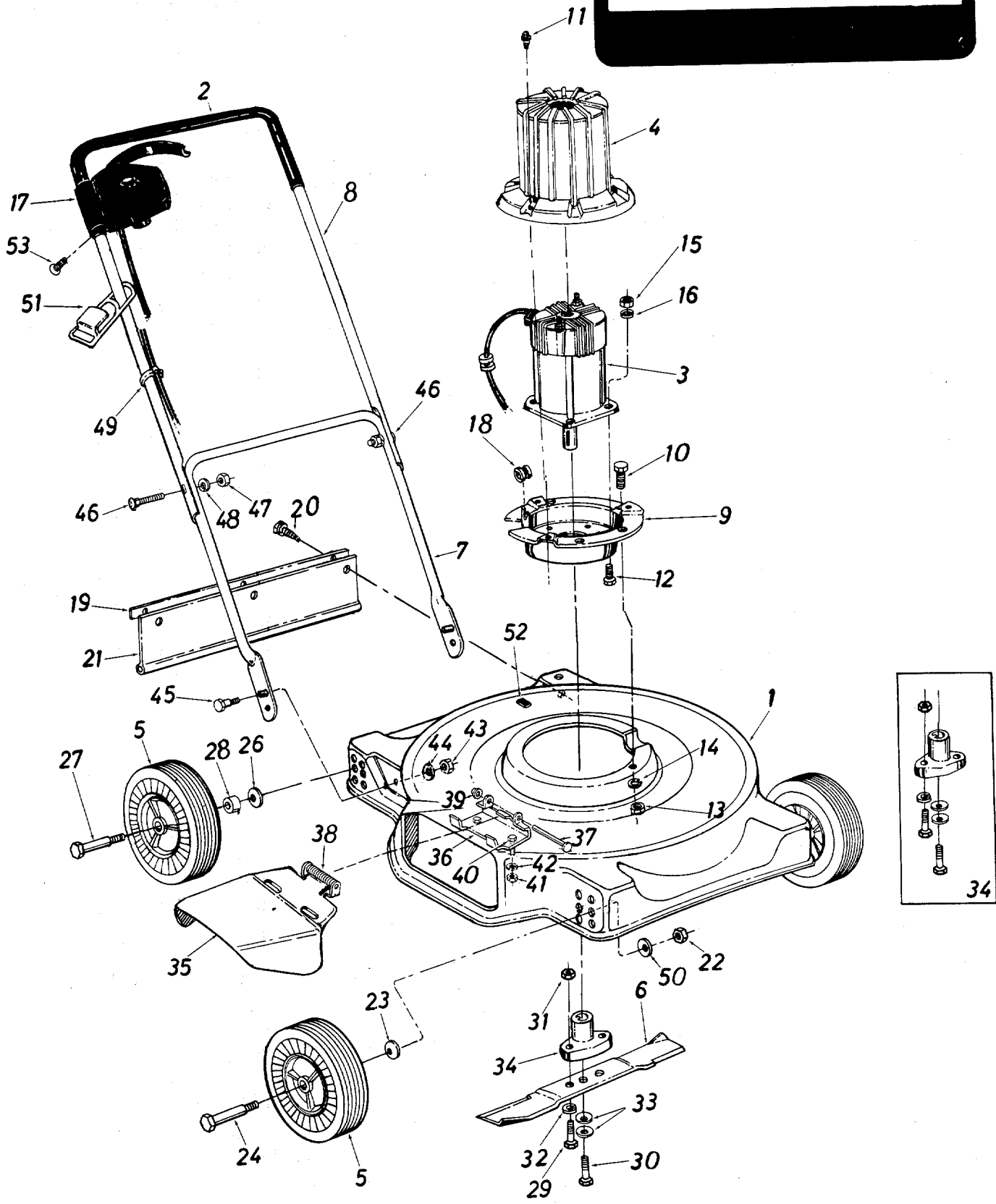
The following steps should be taken to prepare lawn mower for storage.

1. Clean and lubricate mower thoroughly as described in the lubrication instructions.
2. Coat mower's cutting blade with chassis grease to prevent rusting.
3. Store mower indoors in a dry, high or locked-up area, out of reach of children.

Model 070 Electric

Meets CPSC Blade Safety Requirements

Lot/Model	Mfg. Date



Model 070 Electric

PARTS LIST FOR MODEL 070 ELECTRIC ROTARY MOWER

REF. NO.	PART NO.	COLOR CODE	DESCRIPTION	NEW PART	REF. NO.	PART NO.	COLOR CODE	DESCRIPTION	NEW PART
1	15866		20" Deck Ass'y.		28	750-0515		Spacer .511" I.D. x .70" O.D. x .38" Lg.	
2	718-0145		Grip		29	710-0888		Hex Bolt 5/16-24 x 1.00" Lg. (Grade 5)	
3	—		120V Electric Motor Briggs & Stratton 101120		30	710-0157		Hex Bolt 5/16-24 x .75" Lg.	
4	731-0655		Motor Shroud		31	712-0123		Hex Nut 5/16-24 Thd.*	
5	734-0840		Wheel Ass'y. Comp. 7 x 1.50		32	736-0119		L-Wash. 5/16" I.D.*	
6	742-0123		20" Blade		33	736-0242		Bell-Wash. .345" I.D. x .88" O.D.	
7	749-0373		Lower Handle		34	753-0351		Blade Adapter Kit	
8	749-0571		Upper Handle		35	15870		Chute Deflector Ass'y. Comp.	
9	15549		Drive Housing Brkt.—L.H.		36	11130		Deflector Hinge Plate	
10	710-0253		Hex Bolt 3/8-16 x 1.00" Lg.*		37	711-0555		Hinge Pin	
11	710-0901		Hex Wash. Hd. "F" Tap Scr. #10-32 x .314" Lg.	N	38	732-0253		Torsion Spring	
12	710-0597		Hex Bolt 1/4-20 x 1.00" Lg.*		39	726-0106		Push On Flange Nut	
13	712-0798		Hex Nut 3/8-16 Thd.*		40	710-0289		Hex Bolt 1/4-20 x .50" Lg.*	
14	736-0169		L-Wash. 3/8" I.D.*		41	712-0287		Hex Nut 1/4-20 Thd.*	
15	712-0798		Hex Nut 1/4-20 Thd.*		42	736-0329		L-Wash. 1/4" I.D.*	
16	736-0329		L-Wash. 1/4" I.D.*		43	712-0267		Hex Nut 5/16-18 Thd.*	
17	725-0898		Control w/Cord		44	736-0242		Bell-Wash. .345" I.D. x .88" O.D.	
18	725-0908		Cord Restraint		45	738-0296		Shld. Bolt .437" Dia. x .268" Lg.	
19	14836		Retaining Strip		46	710-0671		Curved Hd. Carr. Bolt 5/16-18 x 1.38" Lg.	
20	710-0776		Hex Wash. Hd. AB-Tap Scr. 1/4 x .62" Lg.		47	712-0267		Hex Nut 5/16-18 Thd.*	
21	731-0575		Rear Flap Ass'y. 4.65 x 17.2" Lg.		48	736-0119		L-Wash. 5/16" I.D.*	
22	712-0798		Hex Nut 3/8-16 Thd.*		49	726-0223		Cable Tie	
23	736-0105		Bell-Wash. .400" I.D. x .88" O.D.		50	736-0331		Bell-Wash. .39" I.D. x 1.13" O.D.	
24	738-0213		Shld. Bolt .498" Dia. x 1.450" Lg.		51	725-0899		Restraint	
25	712-0798		Hex Nut 3/8-16 Thd.*		52	731-0564		Plastic Plug	
26	736-0105		Bell-Wash. .400" I.D. x .88" O.D.		53	710-0725		Truss Mach. AB-Tap Scr.	
27	738-0509		Shld. Bolt .498" Dia. x 1.830" Lg.						

*For faster service obtain standard nuts, bolts and washers locally. If these items cannot be obtained locally, order by part number and size as shown on parts list.



NOTE

Specifications subject to change without notice or obligation.

NOTE: The motor is not under warranty by the mower manufacturer... If repairs or service is needed on the motor, please contact your nearest Briggs and Stratton authorized engine service outlet. Check the "Yellow Pages" of your telephone book under "Engines—Gasoline."

Find It Fast
In The
Yellow Pages



VOLTS	AMPS	AT RPM	WATTS
120	8.0	3200	1000

Model 070 Electric

PARTS LIST FOR MODEL 070 ELECTRIC ROTARY MOWER

REF. NO.	PART NO.	COLOR CODE	DESCRIPTION	NEW PART	REF. NO.	PART NO.	COLOR CODE	DESCRIPTION	NEW PART
1	15866		20" Deck Ass'y.		28	750-0515		Spacer .511" I.D. x .70" O.D. x .38" Lg.	
2	718-0145		Grip		29	710-0888		Hex Bolt 5/16-24 x 1.00" Lg. (Grade 5)	
3	—		120V Electric Motor Briggs & Stratton 101120		30	710-0157		Hex Bolt 5/16-24 x .75" Lg.	
4	731-0655		Motor Shroud		31	712-0123		Hex Nut 5/16-24 Thd.*	
5	734-0840		Wheel Ass'y. Comp. 7 x 1.50		32	736-0119		L-Wash. 5/16" I.D.*	
6	742-0123		20" Blade		33	736-0242		Bell-Wash. .345" I.D. x .88" O.D.	
7	749-0373		Lower Handle		34	753-0351		Blade Adapter Kit	
8	749-0571		Upper Handle		35	15870		Chute Deflector Ass'y. Comp.	
9	15549		Drive Housing Brkt.—L.H.		36	11130		Deflector Hinge Plate	
10	710-0253		Hex Bolt 3/8-16 x 1.00" Lg.*		37	711-0555		Hinge Pin	
11	710-0901		Hex Wash. Hd. "F" Tap Scr. #10-32 x .314" Lg.	N	38	732-0253		Torsion Spring	
12	710-0597		Hex Bolt 1/4-20 x 1.00" Lg.*		39	726-0106		Push On Flange Nut	
13	712-0798		Hex Nut 3/8-16 Thd.*		40	710-0289		Hex Bolt 1/4-20 x .50" Lg.*	
14	736-0169		L-Wash. 3/8" I.D.*		41	712-0287		Hex Nut 1/4-20 Thd.*	
15	712-0798		Hex Nut 1/4-20 Thd.*		42	736-0329		L-Wash. 1/4" I.D.*	
16	736-0329		L-Wash. 1/4" I.D.*		43	712-0267		Hex Nut 5/16-18 Thd.*	
17	725-0898		Control w/Cord		44	736-0242		Bell-Wash. .345" I.D. x .88" O.D.	
18	725-0908		Cord Restraint		45	738-0296		Shld. Bolt .437" Dia. x .268" Lg.	
19	14836		Retaining Strip		46	710-0671		Curved Hd. Carr. Bolt 5/16-18 x 1.38" Lg.	
20	710-0776		Hex Wash. Hd. AB-Tap Scr. 1/4 x .62" Lg.		47	712-0267		Hex Nut 5/16-18 Thd.*	
21	731-0575		Rear Flap Ass'y. 4.65 x 17.2" Lg.		48	736-0119		L-Wash. 5/16" I.D.*	
22	712-0798		Hex Nut 3/8-16 Thd.*		49	726-0223		Cable Tie	
23	736-0105		Bell-Wash. .400" I.D. x .88" O.D.		50	736-0331		Bell-Wash. .39" I.D. x 1.13" O.D.	
24	738-0213		Shld. Bolt .498" Dia. x 1.450" Lg.		51	725-0899		Restraint	
25	712-0798		Hex Nut 3/8-16 Thd.*		52	731-0564		Plastic Plug	
26	736-0105		Bell-Wash. .400" I.D. x .88" O.D.		53	710-0725		Truss Mach. AB-Tap Scr.	
27	738-0509		Shld. Bolt .498" Dia. x 1.830" Lg.						

*For faster service obtain standard nuts, bolts and washers locally. If these items cannot be obtained locally, order by part number and size as shown on parts list.



NOTE

Specifications subject to change without notice or obligation.

NOTE: The motor is not under warranty by the mower manufacturer... If repairs or service is needed on the motor, please contact your nearest Briggs and Stratton authorized engine service outlet. Check the "Yellow Pages" of your telephone book under "Engines—Gasoline."

Find It Fast
In The
Yellow Pages



VOLTS	AMPS	AT RPM	WATTS
120	8.0	3200	1000

PARTS INFORMATION

POWER EQUIPMENT PARTS AND SERVICE

Parts and service are available through the authorized service firms listed below. All orders should specify the model number of your unit, part numbers, description of parts and the quantity of each part required.

BRIGGS AND STRATTON, TECUMSEH AND PEERLESS PARTS AND SERVICE

Briggs & Stratton, Tecumseh and Peerless parts and service should be handled by your nearest authorized engine service firm. Check the yellow pages of your telephone directory under the listing **Engines—Gasoline**, Briggs & Stratton or Tecumseh Lauson.

NOTE: If any parts are found to be missing or defective upon assembly of this unit, write to advise the factory so that immediate replacement can be made.

ALABAMA	BIRMINGHAM	CARROLL
Auto Electric & Carburetor Co.	2625 4th Ave. S. 35233	Box 366, 71 High St. 43112
ARKANSAS	NORTH LITTLE ROCK	CLEVELAND
Sutton's Lawn Mower Shop	5301 Roundtop Drive	7900 Lorain Ave. 44102
	Box 368, Rt. 4 72117	WADSWORTH
CALIFORNIA	PORTERVILLE	687 Seville Rd. 44281
Billious	75 North D Street 93257	YOUNGSTOWN
COLORADO	DENVER	1301 Logan Ave.
Spitzer Industrial Products Co.	6601 N.	Box 929 44501
	Washington St. 80229	MUSKOGEE
FLORIDA	JACKSONVILLE	605 S. Cherokee 74401
Radco Distributors	4909 Victor St.	PORTLAND
	Box 5459 32207	8216 N. Denver Ave. 97217
	HALEAH	HARRISBURG
Small Eng. Dist.	7995 W. 26th Court 33016	4021 N. 6th St. 17110
GEORGIA	EAST POINT	PHILADELPHIA
East Point Cycle & Key Inc.	2834 Church St. 30344	5222-24 N. Fifth St. 19120
ILLINOIS	LYONS	PITTSBURGH
Keen Edge Co.	8615 Ogden Ave. 60534	11125 Frankstown Rd. 15235
INDIANA	ELKHART	PUNXSUTAWNEY
Parts & Sales Inc.	2101 Industrial Pkwy. 46516	R.D. 2 15767
IOWA	DUBUQUE	SCRANTON
Power Lawn & Garden Equip.	2551 J.F. Kennedy 52001	1133-35 Wyoming Ave. 18509
LOUISIANA	NEW ORLEANS	KNOXVILLE
Suhren Engine Co.	8330 Earhart Blvd. 70118	2000 Western Ave. 37921
MARYLAND	TAKOMA PARK	MEMPHIS
Center Supply Co.	6867 New Hampshire	3035-43 Bellbrook 38116
	Ave. 20912	DALLAS
MASSACHUSETTS	SPRINGFIELD	423 E. Jefferson 75203
Morton B. Collins Co.	300 Birnie Ave. 01107	FORT WORTH
MICHIGAN	LANSING	6733 Baker Blvd.
Lorenz Service Co.	2500 S. Pennsylvania 48910	Hwy. 10 76118
	MOUNT CLEMENS	HOUSTON
Power Equipment Dist.	340 Hubbard 48043	2409 Commerce St. 77003
MINNESOTA	HOPKINS	SAN ANTONIO
Hance Distributing Inc.	420 Excelsior Ave. W. 55343	8610 Botts Lane
MISSISSIPPI	BILOXI	P.O. Box 17867 78217
Biloxi Sales & Service, Inc.	506 Caillavet St. 39533	BOUNTIFUL
MISSOURI	KANSAS CITY	485 N 500 W. 84010
Automotive Equip. Service	3117 Holmes St. 64109	ASHLAND
	ST. JOSEPH	101 Cedar Ridge Dr. 23005
Ross-Frazier Supply Co.	8th and Monterey 64503	SEATTLE
	ST. LOUIS	1410 14th Ave. 98122
Henzler, Inc.	2015 Lemay Ferry Rd. 63125	CHILTON
NEW JERSEY	BELLMAWR	444 N. Madison St. 53014
Lawnmower Parts Inc.	717 Creek Rd. 08030	NORTH CAROLINA
NEW MEXICO	ALBUQUERQUE	Smith Hardware Co. 27530
Spitzer Eng. & Parts Co.	1023 Third Ave. N.W. 87103	GREENSBORO
NEW YORK	CARTHAGE	335 N. Green 27402
Gamble Dist., Inc.	West End Ave. 13619	

WARRANTY PARTS AND SERVICE POLICY

(0484)

The purpose of warranty is to protect the customer from defects in workmanship and materials, defects which are NOT detected at the time of manufacture. It does not provide for the unlimited and unrestricted replacement of parts. Use and maintenance are the responsibility of the customer. The manufacturer cannot assume responsibility for conditions over which it has no control. Simply put, if it's the manufacturer's fault, it's the manufacturer's responsibility; if it's the customer's fault, it's the customer's responsibility.

CLAIMS AGAINST THE MANUFACTURER'S WARRANTY INCLUDES:

1. Replacement of Missing Parts on new equipment.
2. Replacement of Defective Parts within the warranty period.
3. Repair of Defects within the warranty period.

All claims MUST be substantiated with the following information:

1. Model Number of unit involved.
2. Date unit was purchased or first put into service.
3. Date of failure.
4. Nature of failure.

MTD PRODUCTS INC • P.O. BOX 36900 • CLEVELAND, OHIO 44136

Free Manuals Download Website

<http://myh66.com>

<http://usermanuals.us>

<http://www.somanuals.com>

<http://www.4manuals.cc>

<http://www.manual-lib.com>

<http://www.404manual.com>

<http://www.luxmanual.com>

<http://aubethermostatmanual.com>

Golf course search by state

<http://golfingnear.com>

Email search by domain

<http://emailbydomain.com>

Auto manuals search

<http://auto.somanuals.com>

TV manuals search

<http://tv.somanuals.com>