

Installation Manual
Guide d'installation
Manual de instalación

Built-In Ovens



**Models: HBL33, HBN33, HBL34, HBN34, HBL35, HBN35, HBL54, HBN54,
HBL56, HBN56, HBL57, HBL8550, HBL8650, HBL8750**



Table of Contents

Safety	1
Important Safety Instructions	1
Preparation	3
Before you Begin	3
Tools and Parts Needed	3
Parts Included	3
27" Appliances	3
General Information	3
30" Appliances	7
Removing Packaging	11
For Convection Microwave Combination Units	11
Preparing Oven	11
Installation	12
Electrical Installation	12
Oven Installation	14
Testing Operation	15
Service	16
Before Calling Service	16

This Bosch Appliance is made by
BSH Home Appliances Corporation
5551 McFadden Ave.
Huntington Beach, CA 92649

Questions?

1-800-944-2904

www.boschappliances.com

We look forward to hearing from you!

Safety

	Important Safety Instructions
	READ AND SAVE THESE INSTRUCTIONS

WARNING:

If the information in this manual is not followed exactly, fire or shock may result causing property damage or personal injury.

WARNING:

Do not repair or replace any part of the appliance unless specifically recommended in the manuals. Improper installation, service or maintenance can cause injury or property damage. Refer to this manual for guidance. All other servicing should be done by a qualified technician.

Appliance Handling Safety

Do not lift appliance by door handle. Remove the door for easier handling and installation. See instructions in Use and Care Manual.

Unit is heavy and requires at least two people or proper equipment to move.

Hidden surfaces may have sharp edges. Use caution when reaching behind or under appliance.

Safety Codes and Standards

This appliance complies with one or more of the following Standards:

- UL 858, The Standard for the Safety of Household Electric Ranges
- UL 923, The Standard for the Safety of Microwave Cooking Appliances
- UL 507, The Standard for the Safety of Electric Fans
- ANSI Z21.1, The American National Standard for Household Cooking Gas Appliances
- CAN/CSA-C22.2 No. 113-M1984 Fans and Ventilators
- CAN/CSA-C22.2 No. 61-M89 Household Cooking Ranges

It is the responsibility of the owner and the installer to determine if additional requirements and/or standards apply to specific installations.

Electric Safety

Before you plug in an electrical cord, be sure all controls are in the OFF position.

If required by the National Electrical Code (or Canadian Electrical Code), this appliance must be installed on a separate branch circuit.

Installer - show the owner the location of the circuit breaker or fuse. Mark it for easy reference.

Important - Save these instructions for the local electrical inspector's use.

Before installing, turn power OFF at the service panel. Lock service panel to prevent power from being turned ON accidentally.

Refer to data plate for more information. See "*Data Plate*" under "*Service*" for data plate location.



Important Safety Instructions

READ AND SAVE THESE INSTRUCTIONS

Be sure your appliance is properly installed and grounded by a qualified technician. Installation, electrical connections and grounding must comply with all applicable codes.

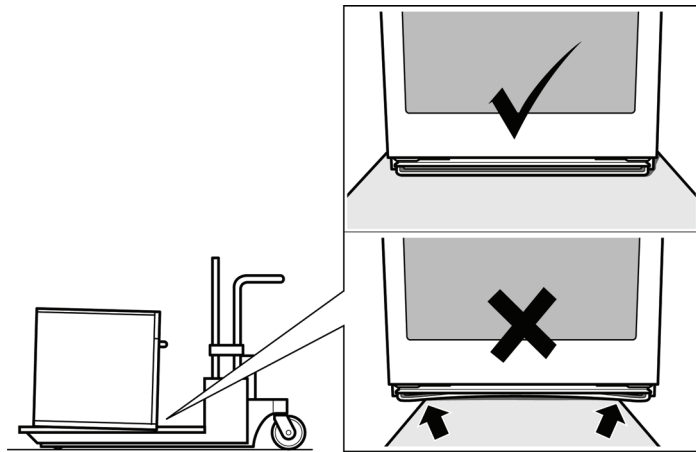
Related Equipment Safety

Remove all tape and packaging before using the appliance. Destroy the packaging after unpacking the appliance. Never allow children to play with packaging material.

Never modify or alter the construction of the appliance. For example, do not remove leveling legs, panels, wire covers or anti-tip brackets/screws.

Transport

To avoid damage to the oven vent, use the transport method shown in the picture below.



Preparation

Before you Begin

- Tools and Parts Needed
- Phillips head screwdriver
 - Measuring tape
 - Drill with bit (1/8")

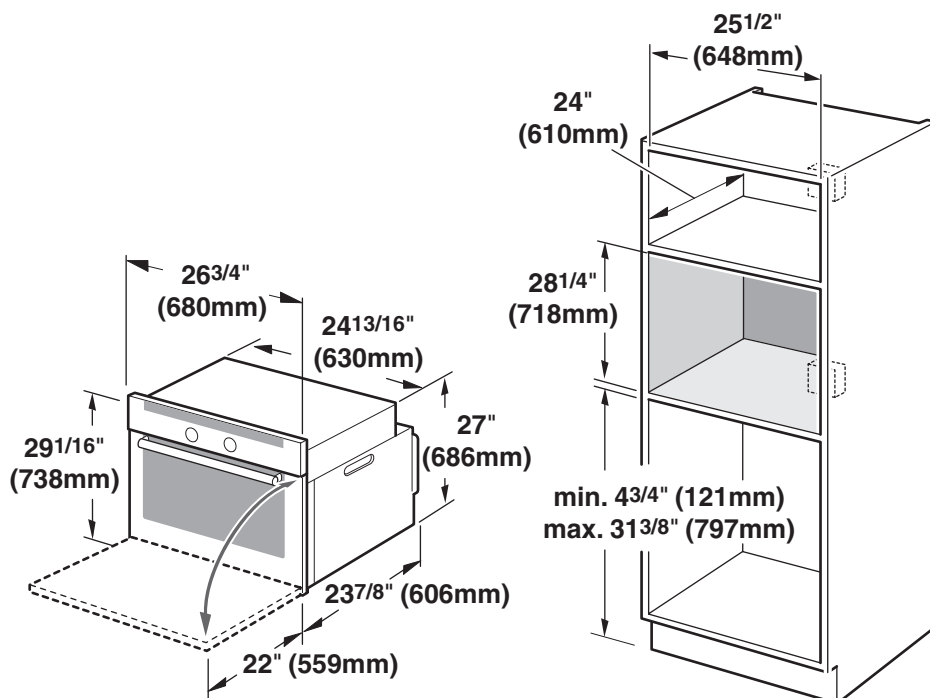
- Parts Included
- Phillips head screws (6)

27" Appliances

General Information

Power Requirements The outlet must be properly grounded in accordance with all applicable codes.

Dimensions for 27" Wall-Mounted Units



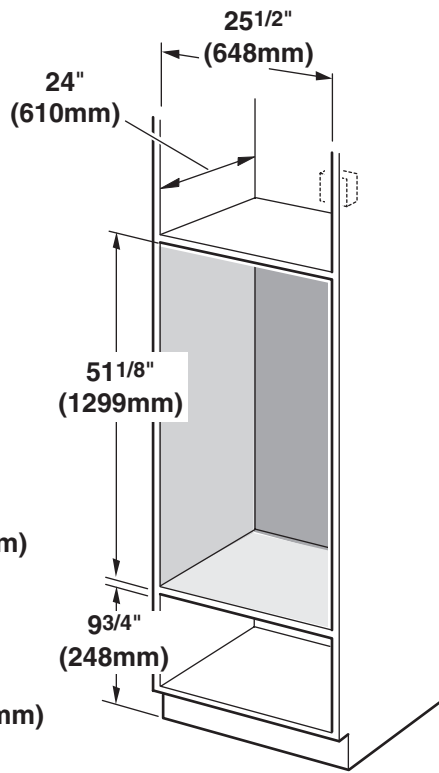
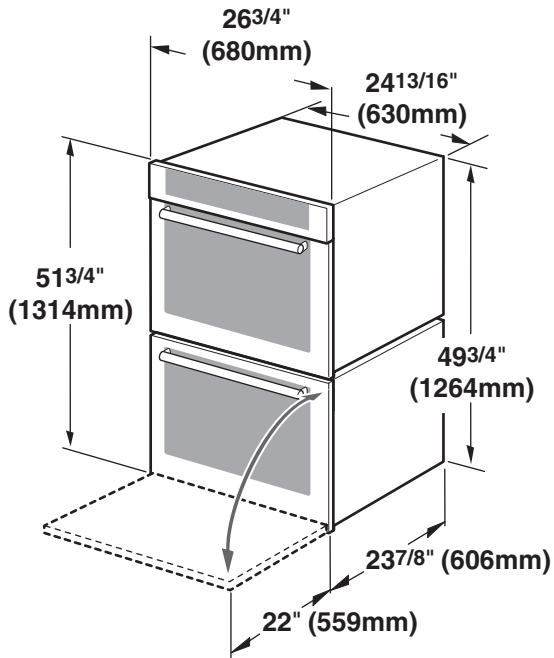
Single Oven 27"

It is good practice, when oven is installed at the end of a cabinet run, adjacent to a perpendicular wall or cabinet door, to allow at least 1/4" space between the side of the oven and the wall/door.

For oven support, install 2x4's extending front to back flush with the bottom and the side of the opening. The supporting base must be well secured to the floor/cabinet and level.

Note: The conduit box must be installed either above or below the unit. If the conduit box is installed below the unit, a 2" diameter hole or space is required between the back wall and the right rear of the 2x4 supports.

The cabinet base must be flat and capable of supporting a weight of at least 210 lbs (95 kg).



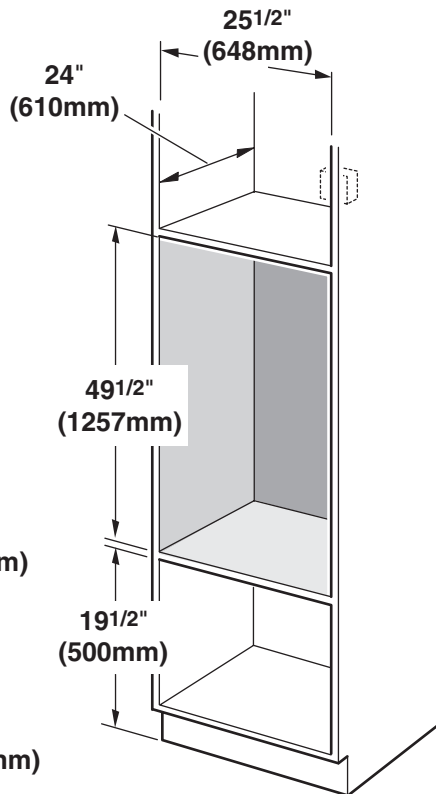
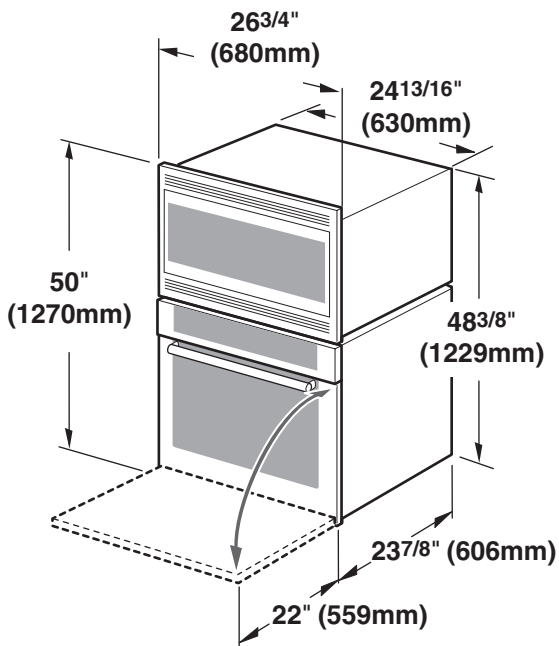
Double Oven 27"

It is good practice, when oven is installed at the end of a cabinet run, adjacent to a perpendicular wall or cabinet door, to allow at least 1/4" space between the side of the oven and the wall/door.

For oven support, install 2x4's extending front to back flush with the bottom and the side of the opening. The supporting base must be well secured to the floor/cabinet and level.

Note: The conduit box must be located above the unit to facilitate connecting and servicing.

The cabinet base must be flat and capable of supporting a weight of at least 355 lbs (161 kg).



Combo Oven with Microwave 27"

It is good practice, when oven is installed at the end of a cabinet run, adjacent to a perpendicular wall or cabinet door, to allow at least 1/4" space between the side of the oven and the wall/door.

For oven support, install 2x4's extending front to back flush with the bottom and the side of the opening. The supporting base must be well secured to the floor/cabinet and level.

Note: The conduit box must be located above the unit to facilitate connecting and servicing.

The cabinet base must be flat and capable of supporting a weight of at least 330 lbs (150 kg).

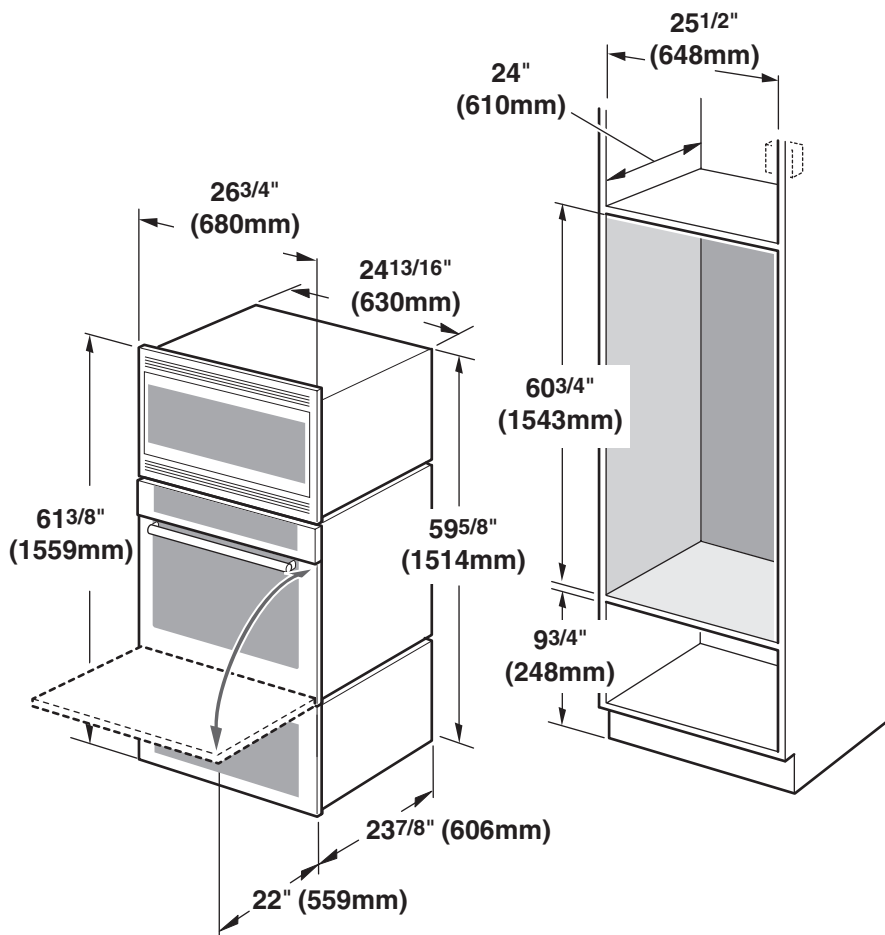
Combo Oven with Microwave and Warming Drawer 27"

It is good practice, when oven is installed at the end of a cabinet run, adjacent to a perpendicular wall or cabinet door, to allow at least 1/4" space between the side of the oven and the wall/door.

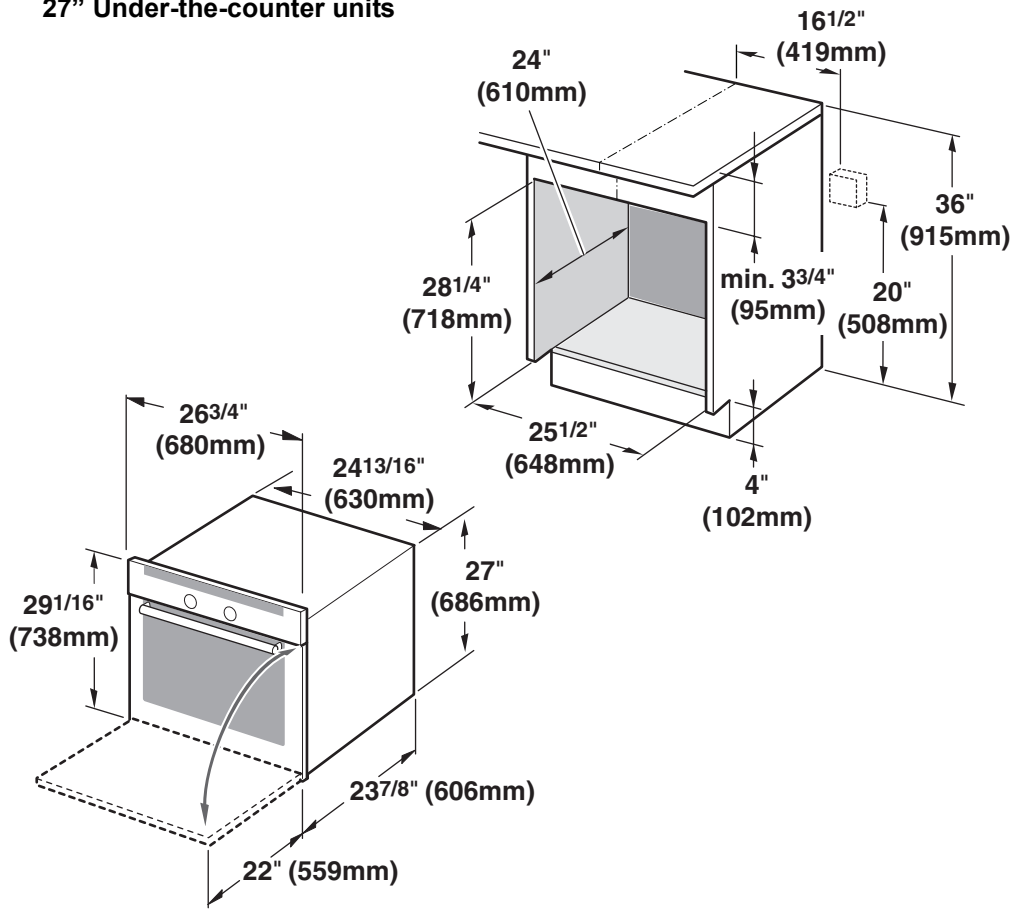
For oven support, install 2x4's extending front to back flush with the bottom and the side of the opening. The supporting base must be well secured to the floor/cabinet and level.

Note: The conduit box must be located above the unit to facilitate connecting and servicing.

The cabinet base must be flat and capable of supporting a weight of at least 370 lbs (168 kg).

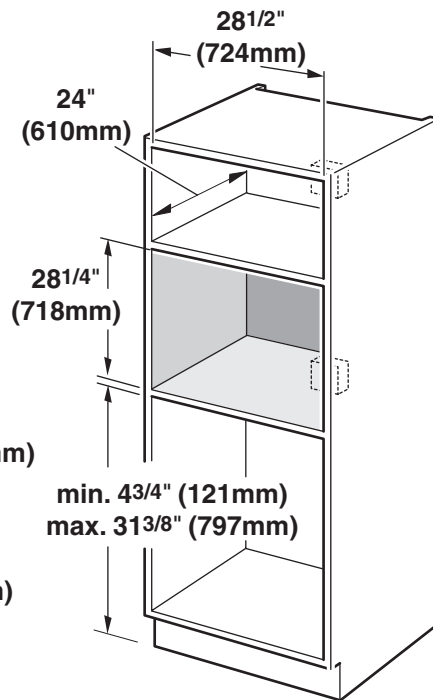
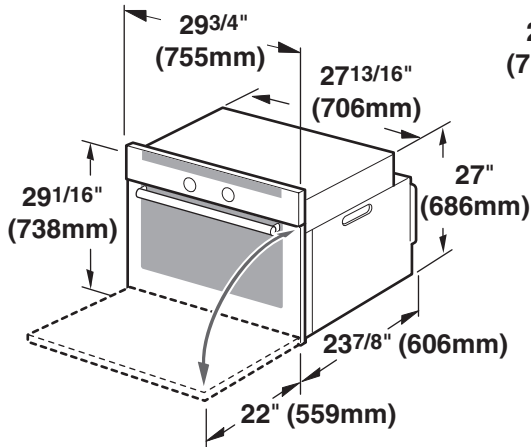


27" Under-the-counter units



30" Appliances

Dimensions for 30" Wall-Mounted Units



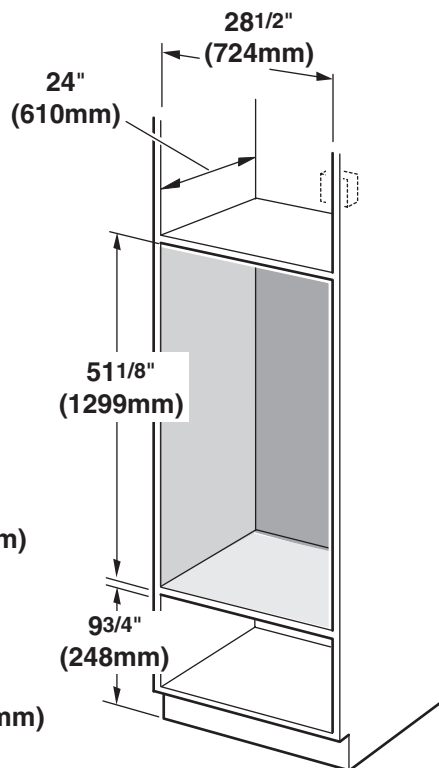
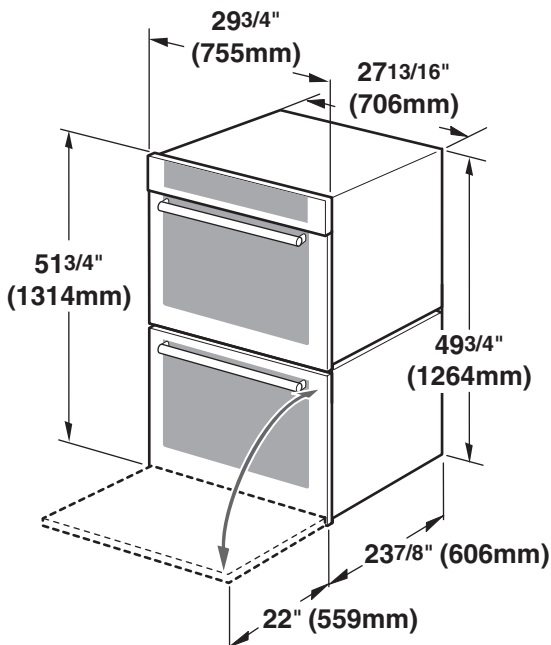
Single Oven 30"

It is good practice, when oven is installed at the end of a cabinet run, adjacent to a perpendicular wall or cabinet door, to allow at least 1/4" space between the side of the oven and the wall/door.

For oven support, install 2x4's extending front to back flush with the bottom and the side of the opening. The supporting base must be well secured to the floor/cabinet and level.

Note: The conduit box must be installed either above or below the unit. If the conduit box is installed below the unit, a 2" diameter hole or space is required between the back wall and the right rear of the 2x4 supports.

The cabinet base must be flat and capable of supporting a weight of at least 190 lbs (86 kg).



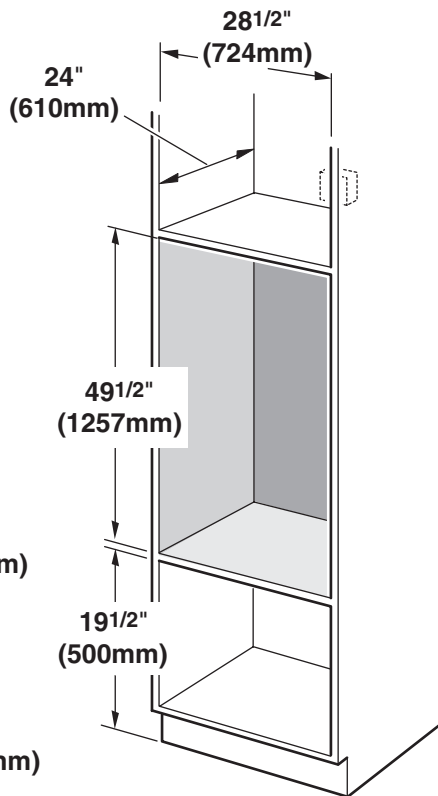
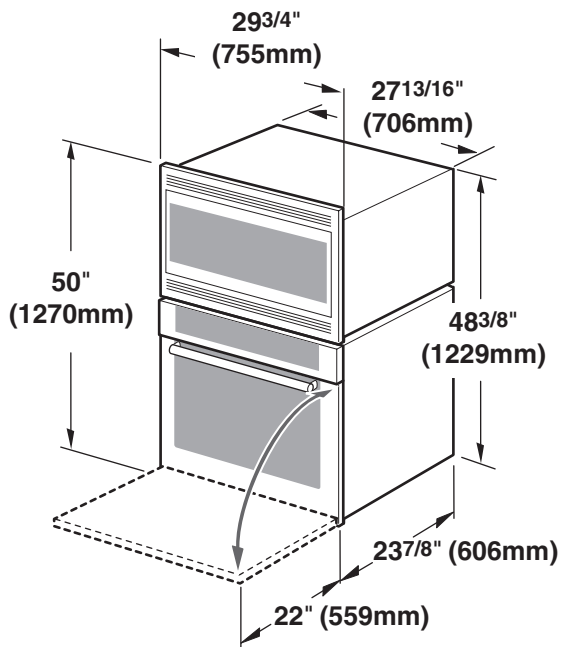
Double Oven 30"

It is good practice, when oven is installed at the end of a cabinet run, adjacent to a perpendicular wall or cabinet door, to allow at least 1/4" space between the side of the oven and the wall/door.

For oven support, install 2x4's extending front to back flush with the bottom and the side of the opening. The supporting base must be well secured to the floor/cabinet and level.

Note: The conduit box must be located above the unit to facilitate connecting and servicing.

The cabinet base must be flat and capable of supporting a weight of at least 330 lbs (150 kg).



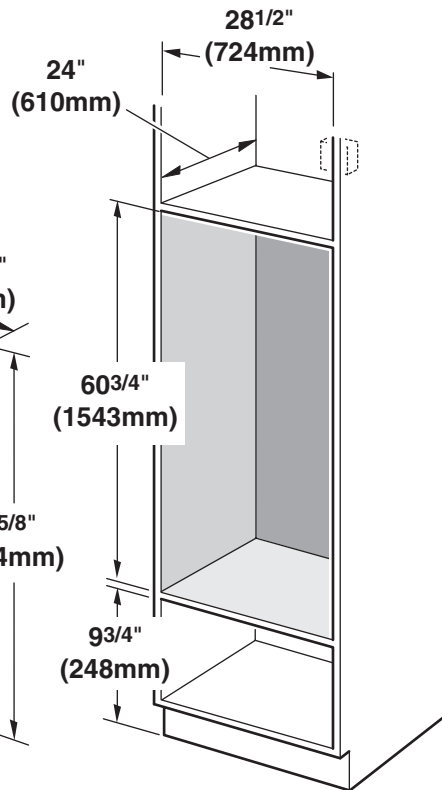
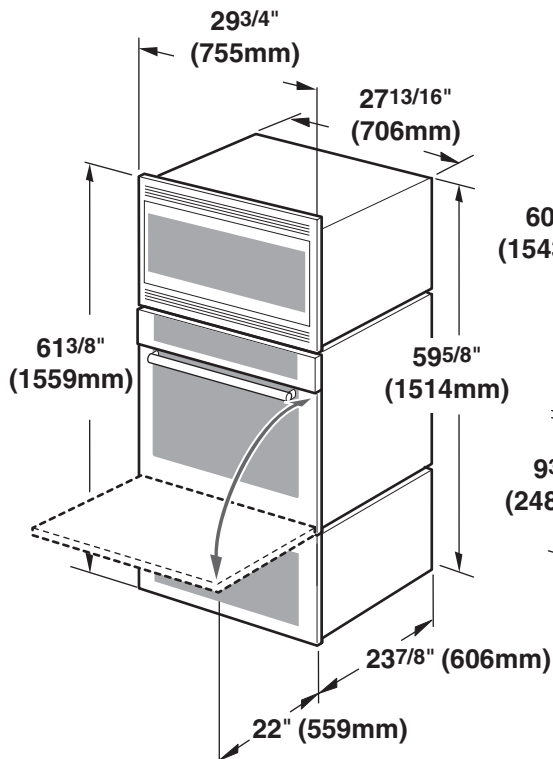
Combo Oven with Microwave 30"

It is good practice, when oven is installed at the end of a cabinet run, adjacent to a perpendicular wall or cabinet door, to allow at least 1/4" space between the side of the oven and the wall/door.

For oven support, install 2x4's extending front to back flush with the bottom and the side of the opening. The supporting base must be well secured to the floor/cabinet and level.

Note: The conduit box must be located above the unit to facilitate connecting and servicing.

The cabinet base must be flat and capable of supporting a weight of at least 290 lbs (132 kg).



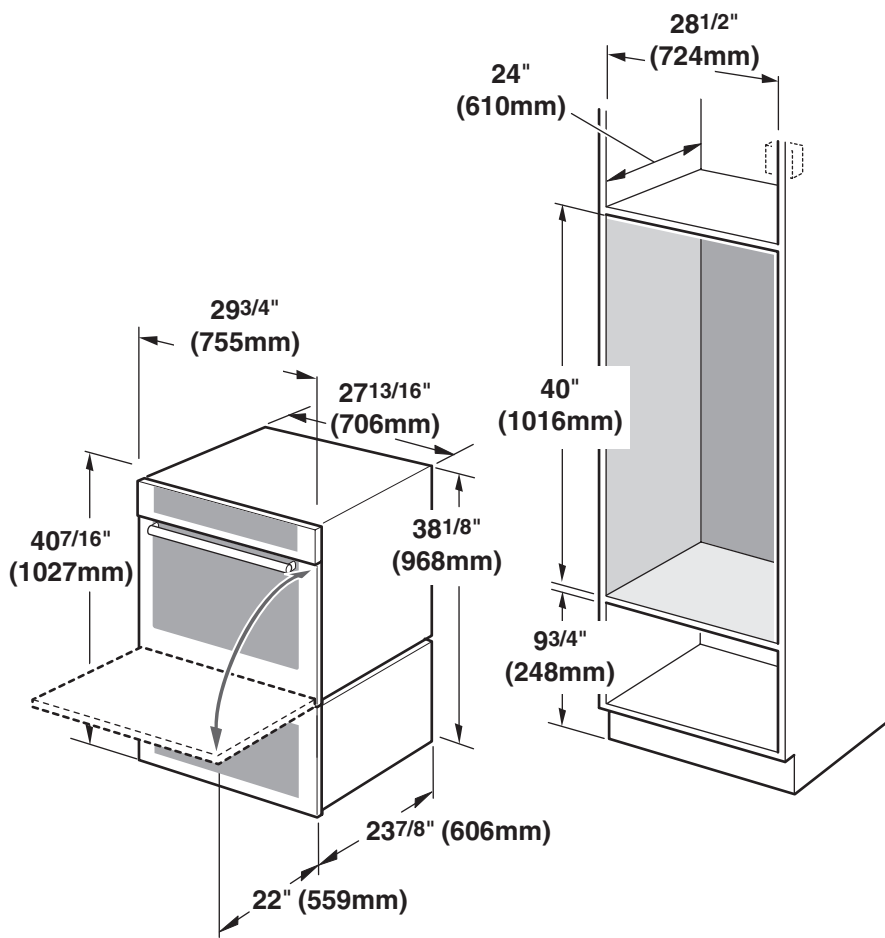
Combo Oven with Microwave and Warming Drawer 30"

It is good practice, when oven is installed at the end of a cabinet run, adjacent to a perpendicular wall or cabinet door, to allow at least 1/4" space between the side of the oven and the wall/door.

For oven support, install 2x4's extending front to back flush with the bottom and the side of the opening. The supporting base must be well secured to the floor/cabinet and level.

Note: The conduit box must be located above the unit to facilitate connecting and servicing.

The cabinet base must be flat and capable of supporting a weight of at least 310 lbs (141 kg).



Combo Oven with Warming Drawer 30"

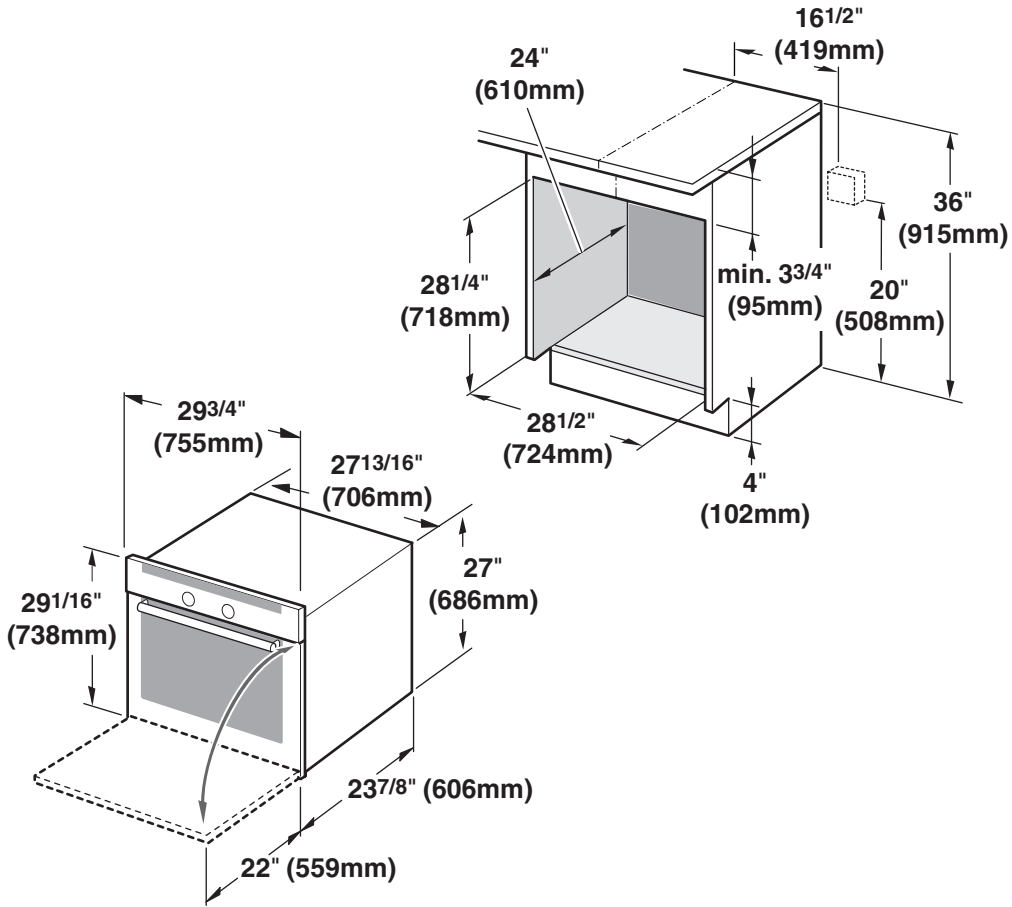
It is good practice, when oven is installed at the end of a cabinet run, adjacent to a perpendicular wall or cabinet door, to allow at least 1/4" space between the side of the oven and the wall/door.

For oven support, install 2x4's extending front to back flush with the bottom and the side of the opening. The supporting base must be well secured to the floor/cabinet and level.

Note: The conduit box must be located above the unit to facilitate connecting and servicing.

The cabinet base must be flat and capable of supporting a weight of at least 290 lbs (132 kg).

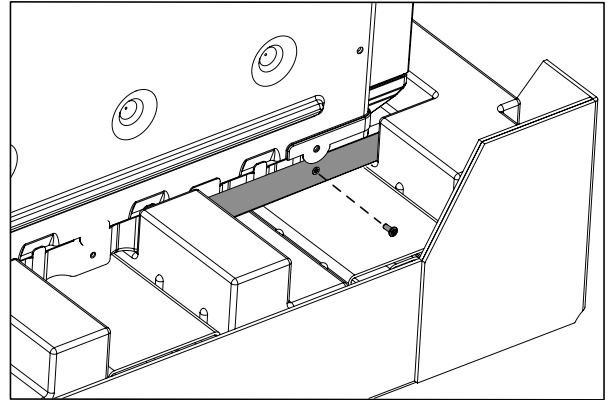
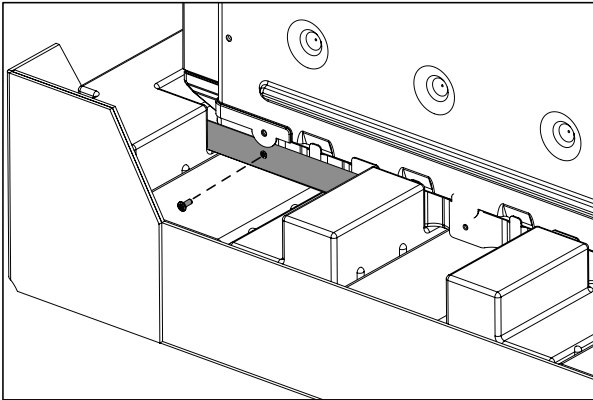
30" Under-the-counter-Units



Removing Packaging

- Cut foil wrap in the area of corner posts.
- Remove foil completely.
- Remove top cardboard.
- Remove all top and side cardboard and Styrofoam braces.
- Place oven in front of cabinets where it is to be installed.
- Unscrew unit from Left and Right Brackets as show in “Left and Right Packaging Bracket Removal.”

Left and Right Packaging Bracket Removal

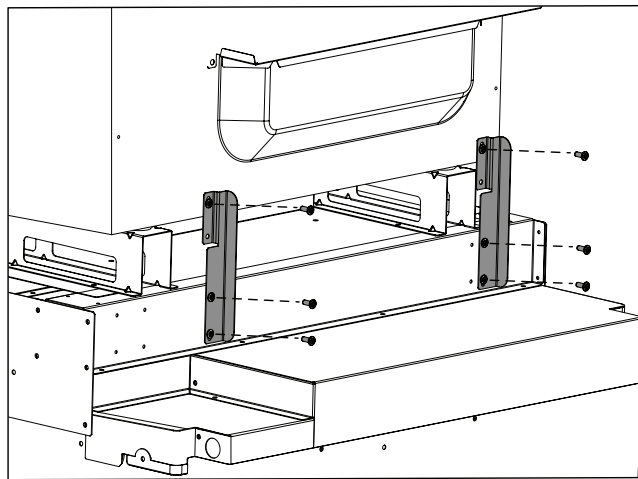


Note: Bracket remains in packaging base. Unit should stay in packaging base plate until ready to be lifted into cabinet cutout.

For Convection Microwave Combination Units

Remove 2 rear support Convection Microwave Shipping Brackets prior to installation as shown in “Convection Microwave Shipping Bracket Removal.”

Convection Microwave Shipping Bracket Removal (for Convection Microwave Combination Units Only)



Preparing Oven

Place oven in front of cabinets where it is to be installed. Rest it on a jack or other sturdy support so that it is in line with the cabinet cutout.

Installation

Electrical Installation

All model ovens on the front cover are dual rated, designed to be connected to either 208/240V AC, 60 Hz, 4 wire, single-phase power supply.

Model	Circuit Required	
	208V, 60 Hz	240V, 60 Hz
HBN33, HBL33	25 AMP	30 AMP
HBN34, HBL34, HBN54, HBL54 HBL85	30 AMP	30 AMP
HBN35, HBL35, HBN56, HBL56, HBL57, HBL8650, HBL8750	40 or 50 Amp circuit. Refer to local electrical codes for de-rating requirements.	

The electrical supply should be a 4-wire single-phase AC. Install a suitable conduit box (not furnished).

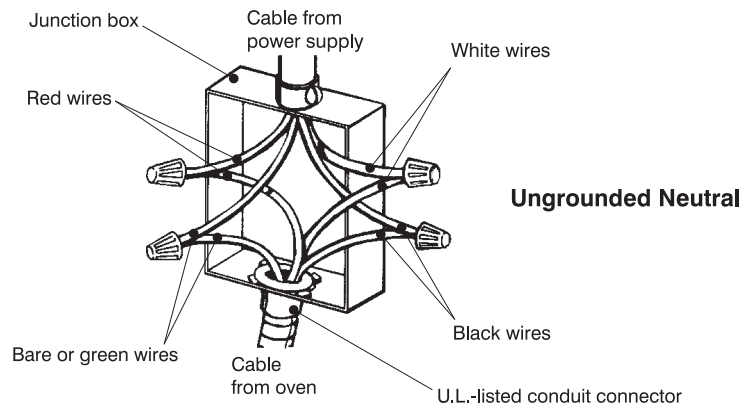
Important: Local Codes may vary, installation, electrical connections and grounding must comply with all applicable local codes.

If local codes permit grounding through the electrical supply neutral, connect both the white neutral wire and the bare ground wire from the oven to the white neutral electrical supply wire.

Electrical Connection

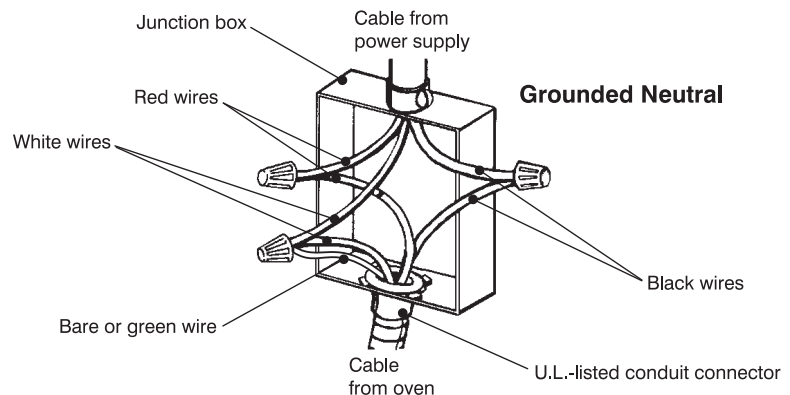
The four-wire connection is preferred, but where local codes permit, the three wire connection is also acceptable.

Four-wire Connection



- Connect the red oven wire to the red electrical supply wire (hot wire).
- Connect the black oven wire to the black electrical supply wire (hot wire).
- Connect the white neutral oven wire to the white neutral (not bare ground) electrical supply wire.
- Connect the bare ground oven wire to the bare ground electrical supply wire.

Three-wire Connection



- Connect red wire from oven to red wire in junction box.
- Connect black wire from oven to black wire in junction box.
- Connect both green ground wire and white wire from oven to white (or gray) neutral wire in junction box.

The conduit cable, where connected at the oven, swivels. Rotate conduit cable upward (or downward) and direct through hole prepared in cabinet to attach to J-Box.

To maintain serviceability, the flex conduit must not be shortened and should be routed to permit temporary removal of the oven.

Oven Installation

Note: Before installing the oven be sure to verify the cabinet dimensions and electrical connections.

Removing the Oven Door

For ease of installation, some oven doors may be removed to reduce the weight of the oven by 30 lbs (14 kg) per door, before installing into the cabinet. See “To remove the oven door.”

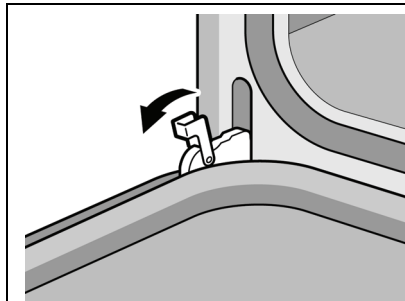


CAUTION:

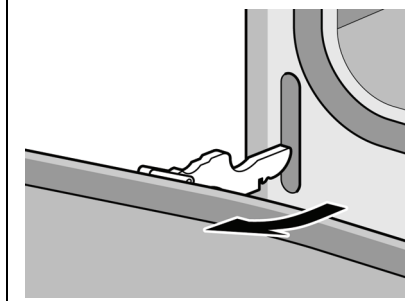
When removing the door:

- Make sure oven is cool and power to the oven has been turned off before removing the door. Failure to do so could result in electrical shock or burns.
- The oven door is heavy and fragile. Use both hands to remove the oven door. The door front is glass. Handle carefully to avoid breaking.
- Grasp only the sides of the oven door. Do not grasp the handle as it may swing in your hand and cause damage or injury.
- Failure to grasp the oven door firmly and properly could result in personal injury or product damage.
- To avoid injury from hinge bracket snapping closed, be sure that both levers are securely in place before removing the door. Also, do not force door open or closed - the hinge could be damaged and injury could result.

To remove the oven door:



1. Be sure to read the above CAUTION before attempting to remove the door.
2. Open the door completely.
3. Flip levers on hinges toward you.

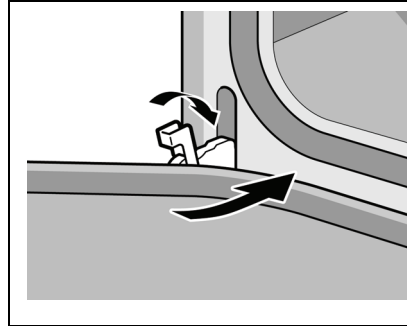


4. Close door carefully until it stops. It will be about half way closed.
5. Holding the door firmly on both sides using both hands, pull the door up and out of the hinge slots. Hold firmly; the door is heavy.
6. Place the door in a convenient and stable location for cleaning.

Installing the Oven

1. Lift or slide unit into cabinet cutout. Do not lift appliance by door handle.
2. Push straight in until oven trim is flush with cabinet wall, being careful not to crimp flexible conduit between oven and cabinet back wall. The oven should be straight and level, not crooked.
3. Install supplied screws through tap holes in trim. (2 screws for single ovens, 4 screws for double/combo ovens)

To replace the oven door:



1. Holding the door firmly in both hands, place hinges in hinge slots.
2. Open door all the way to expose hinges and slots.
3. Push lever down and away from you until flush with the bracket.
4. Close and open door slowly to be sure it is correctly and securely in place. Door must be straight, not crooked.

Testing Operation

1. Turn on power at the breaker.
2. Check power at junction box using a volt meter.
For 240 V installation, the reading between the red and black wires (line to line) should be 220 to 240 volts.
For 208 V installation, the reading between the red and black wires (line to line) should be 190 to 208 volts.
3. Test the oven mode.
Select the **BAKE** mode. See the Use and Care Manual for detailed operation instructions.
4. Verify that the oven light comes on and the oven begins to preheat.
5. Test the door lock.
Set the **SELF CLEAN** mode. Confirm that the door locks when the lock icon appears in the display.
6. If installing a double oven, test the second oven as well.
7. If any of the tests do not result as explained above, contact Thermador service for assistance. Otherwise, the installation is complete at this time.

Service

Before Calling Service

See Use and Care Manual for troubleshooting information. Refer to the Warranty in the Use an Care Manual.

To reach a service representative, see the contact information at the front of the manual. Please be prepared with the information printed on your product data plate when calling.

Data Plate

The data plate shows the model and serial number. Refer to the data plate on the appliance when requesting service. The data plate is located on the underside of the control panel:

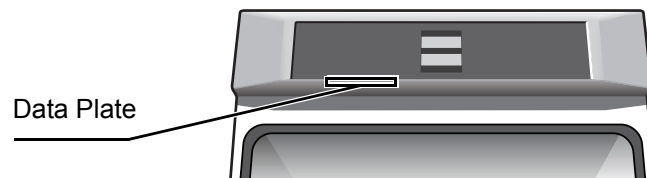


Table des matières

Sécurité	1
Consignes de sécurité importantes	1
Préparation	3
Avant de commencer	3
Outils et pièces nécessaires	3
Pièces incluses	3
Appareils électroménagers de 27 po	3
Informations générales	3
Appareils électroménagers de 30 po	7
Pour enlever l'emballage	11
Pour les fours combinés de micro-ondes et convection	11
Installation	12
Installation électrique	12
Raccordement électrique	13
Installation du four	14
Test de contrôle	15
Dépannage	16
Avant d'appeler le service de dépannage	16

Cet appareil électroménager de Bosch est fait par
BSH Home Appliances Corporation
5551 McFadden Ave.
Huntington Beach, CA 92649

Questions ?

1-800-944-2904

www.boschappliances.com

Nous attendons de vos nouvelles !

Sécurité



Consignes de sécurité importantes

LIRE ET CONSERVER CES CONSIGNES

AVERTISSEMENT:

si les informations de ce manuel ne sont pas suivies à la lettre, un incendie ou un choc électrique peuvent se produire et sont susceptibles de causer des dommages matériels ou des lésions corporelles.

AVERTISSEMENT:

ne pas réparer ni remplacer des pièces de l'appareil à moins que cela ne soit expressément recommandé dans le manuel. Toute installation, réparation ou maintenance inadéquate peut entraîner des blessures ou des dommages matériels. Consulter ce manuel pour obtenir des conseils sur la façon de procéder. Tous les travaux d'entretien doivent être confiés à un technicien qualifié.

Sécurité de manipulation de l'appareil

Ne pas soulever l'appareil par la poignée de la porte. Enlever la porte pour faciliter la manipulation et l'installation de l'appareil. Voir les instructions du Manuel d'utilisation et d'entretien.

Cet appareil est lourd et il faut au moins deux personnes ou l'équipement approprié pour le déplacer.

Les surfaces cachées peuvent comporter des arêtes vives. Faites attention en étendant le bras derrière l'appareil ou en dessous.

Codes et normes de sécurité

Cet appareil est conforme à une ou plusieurs des normes suivantes :

- UL 858, Norme pour la sécurité des cuisinières électriques domestiques
- UL 923, Norme pour la sécurité des appareils de cuisson à micro-ondes
- UL 507, Norme pour la sécurité des ventilateurs électriques
- ANSI Z21.1, Norme nationale américaine pour les appareils de cuisson à gaz domestiques
- CAN/CSA-C22.2 No. 113-M1984, Ventilateurs et soufflantes
- CAN/CSA-C22.2 No. 61-M89, Cuisinières pour usage ménager

Il incombe au propriétaire et à l'installateur de déterminer si des exigences et/ou normes additionnelles s'appliquent pour des installations spécifiques.

Sécurité électrique

Avant de brancher le cordon électrique, vérifier que toutes les commandes sont dans la position "OFF" (Arrêt).

S'il y a lieu, conformément au Code national de l'électricité (ou au Code canadien de l'électricité), cet appareil doit être installé sur un circuit de dérivation séparé.

Installateur - indiquer au propriétaire l'emplacement du disjoncteur ou du fusible. Identifier sa position pour pouvoir le retrouver facilement plus tard.



Consignes de sécurité importantes

LIRE ET CONSERVER CES CONSIGNES

Important - Conserver ces instructions pour l'usage de l'inspecteur local en électricité.

Avant l'installation, couper le courant au panneau de service. Verrouiller le panneau de service pour éviter que le courant ne soit accidentellement rétabli.

Pour plus d'informations, se reporter à la plaque signalétique. Pour connaître l'emplacement de la plaque signalétique, voir "Plaque signalétique" sous "Entretien".

S'assurer que l'appareil est adéquatement installé et mis à la terre par un technicien qualifié. L'installation, les connexions électriques et la mise à la terre doivent être conformes à tous les codes applicables.

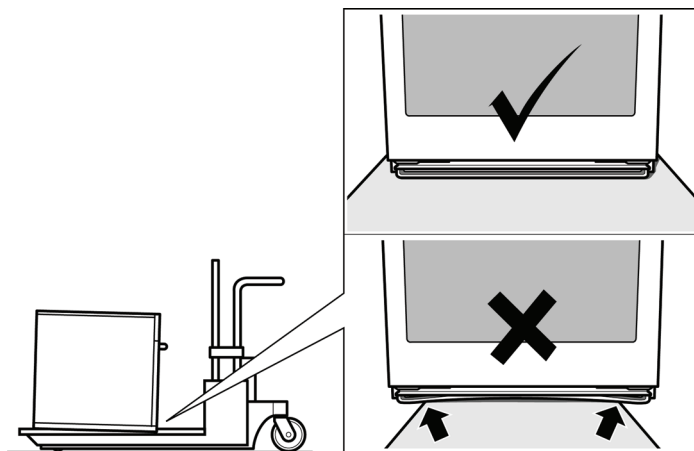
Sécurité apparentée concernant l'équipement

Retirer le ruban adhésif et l'emballage avant d'utiliser l'appareil. Détruire l'emballage après avoir déballé l'appareil. Ne jamais laisser les enfants jouer avec les matériaux de conditionnement.

Ne jamais modifier ni altérer la configuration de l'appareil. Par exemple, ne pas retirer les pieds de nivellement, les panneaux, les couvercles de câblage ou les fixations/vis antibasculement.

Transport

Pour éviter tout dommage à l'évent du four, utiliser la méthode de transport illustrée ci-dessous.



Préparation

Avant de commencer

Outils et pièces nécessaires

- Tournevis à tête Phillips
- Ruban à mesurer
- Perceuse avec foret (1/8 po)

Pièces incluses

- Vis cruciformes (6)

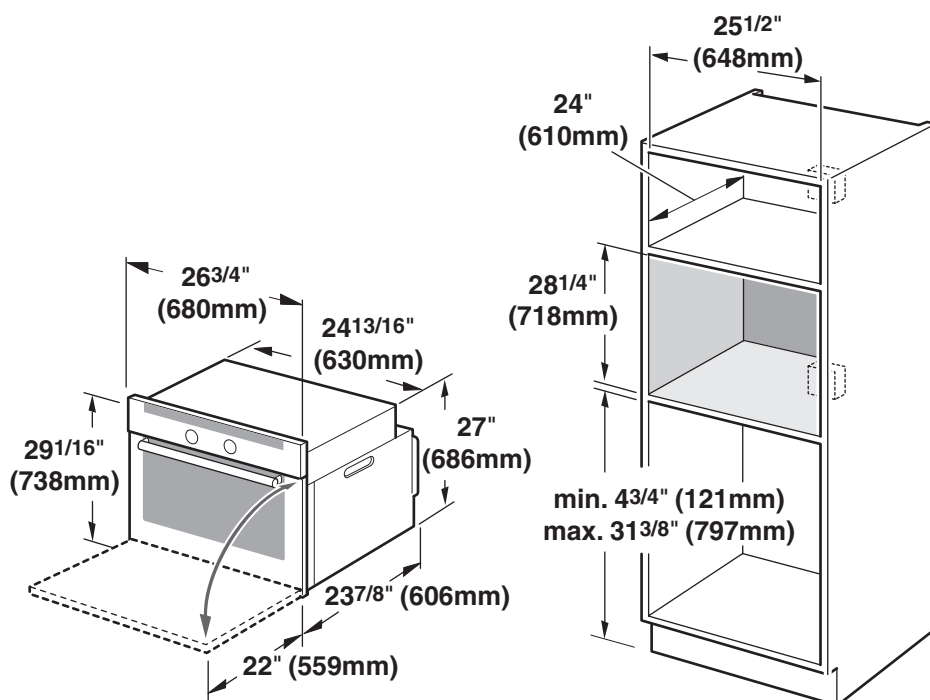
Appareils électroménagers de 27 po

Informations générales

Exigences électriques

La prise doit être correctement reliée à la terre selon tous les codes applicables.

Dimensions pour les appareils muraux de 27 po



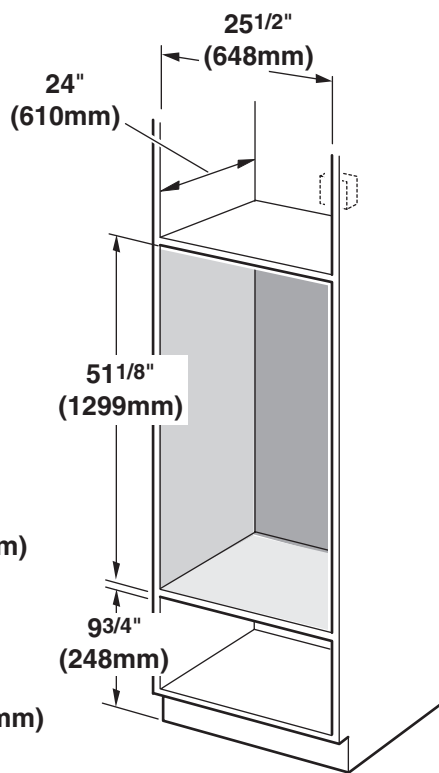
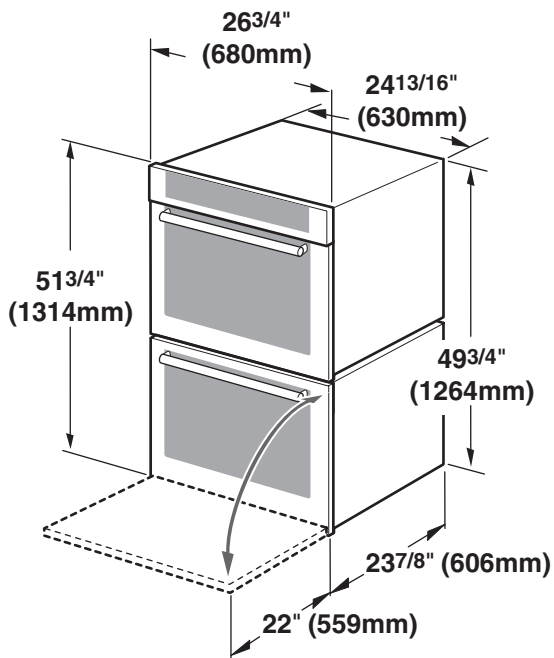
Four unique de 27 po

Lorsque le four est installé à l'extrémité d'une série de placards, adjacent à un mur perpendiculaire ou à une porte de placard, il est recommandé de laisser au moins 1/4 po (0,6 cm) d'espace entre la paroi du four et le mur ou la porte.

Pour le soutien du four, installer des montants de 2 pouces sur 4 qui s'étendent de l'avant à l'arrière et viennent affleurer le fond et le côté de l'ouverture. Le socle de soutien doit être bien fixé au plancher ou au coffret et être de niveau.

Remarque : la boîte de connexions doit être installée soit au-dessus, soit au-dessous de l'appareil. Si la boîte de connexions est installée sous l'appareil, un espace ou une ouverture de 2 po (5,8 cm) de diamètre est requis entre le mur arrière et la partie arrière droite des montants de support de 2 pouces sur 4.

Le socle du coffret doit être plate et apte à soutenir un poids d'au moins 210 lb (95 kg).



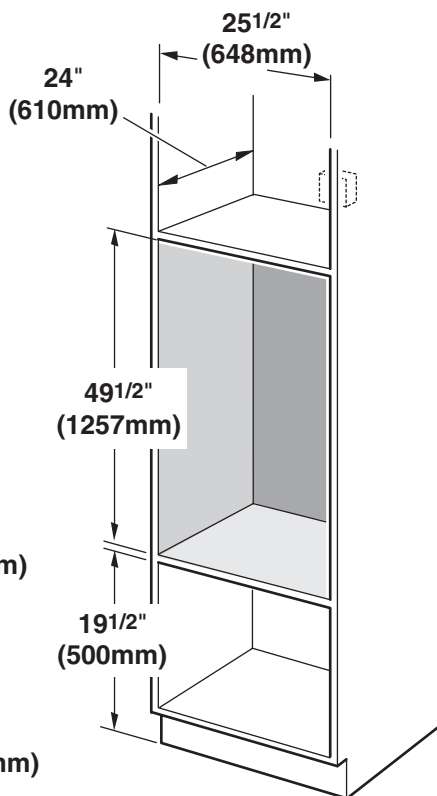
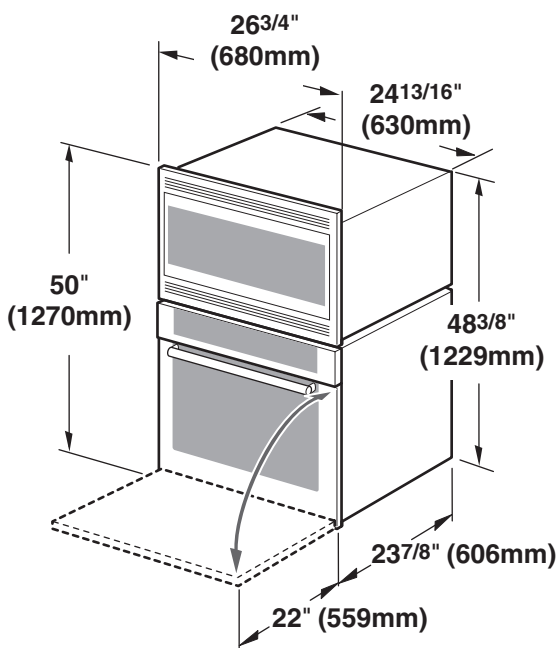
Fours doubles de 27 po

Lorsque le four est installé à l'extrémité d'une série de placards, adjacent à un mur perpendiculaire ou à une porte de placard, il est recommandé de laisser au moins 1/4 po (0,6 cm) d'espace entre la paroi du four et le mur ou la porte.

Pour le soutien du four, installer des montants de 2 pouces sur 4 qui s'étendent de l'avant à l'arrière et viennent affleurer le fond et le côté de l'ouverture. Le socle de soutien doit être bien fixé au plancher ou au coffret et être de niveau.

Remarque : la boîte de connexions doit être située au-dessus de l'appareil pour faciliter les branchements et l'entretien.

Le socle du coffret doit être plate et apte à soutenir un poids d'au moins 355 lb (161 kg).



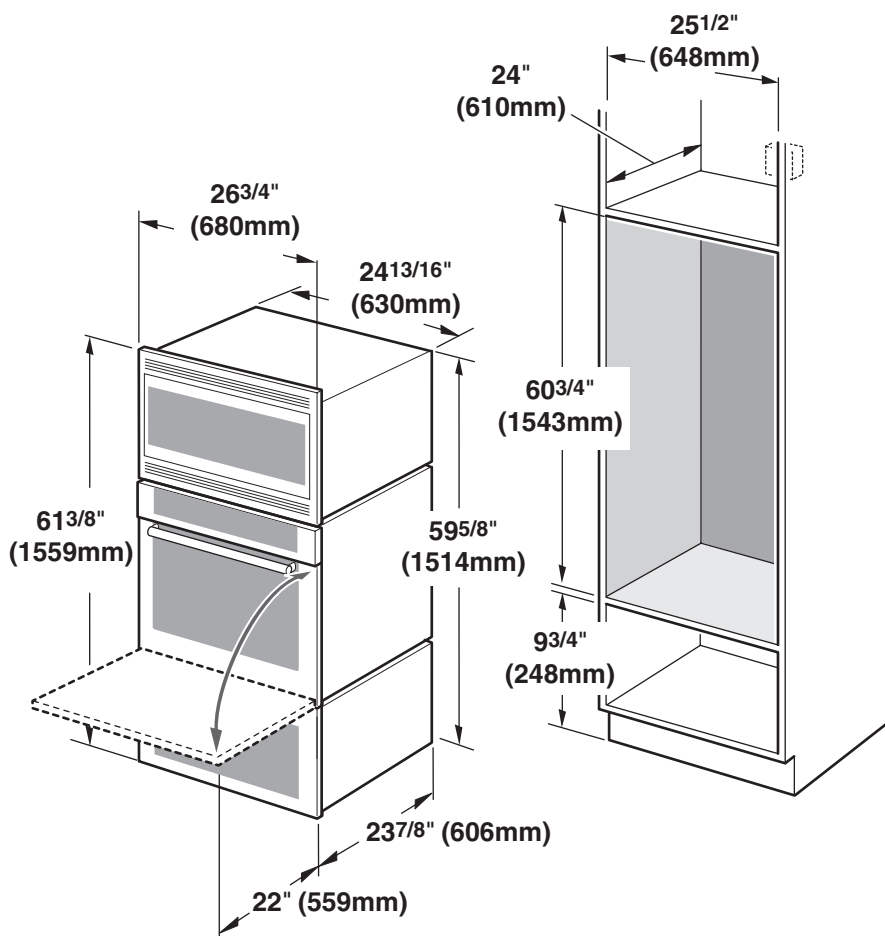
Four combiné avec micro-ondes de 27 po

Lorsque le four est installé à l'extrémité d'une série de placards, adjacent à un mur perpendiculaire ou à une porte de placard, il est recommandé de laisser au moins 1/4 po (0,6 cm) d'espace entre la paroi du four et le mur ou la porte.

Pour le soutien du four, installer des montants de 2 pouces sur 4 qui s'étendent de l'avant à l'arrière et viennent affleurer le fond et le côté de l'ouverture. Le socle de soutien doit être bien fixé au plancher ou au coffret et être de niveau.

Remarque : la boîte de connexions doit être située au-dessus de l'appareil pour faciliter les branchements et l'entretien.

Le socle du coffret doit être plate et apte à soutenir un poids d'au moins 330 lb (150 kg).



Four combiné avec micro-ondes et tiroir-réchaud de 27 po

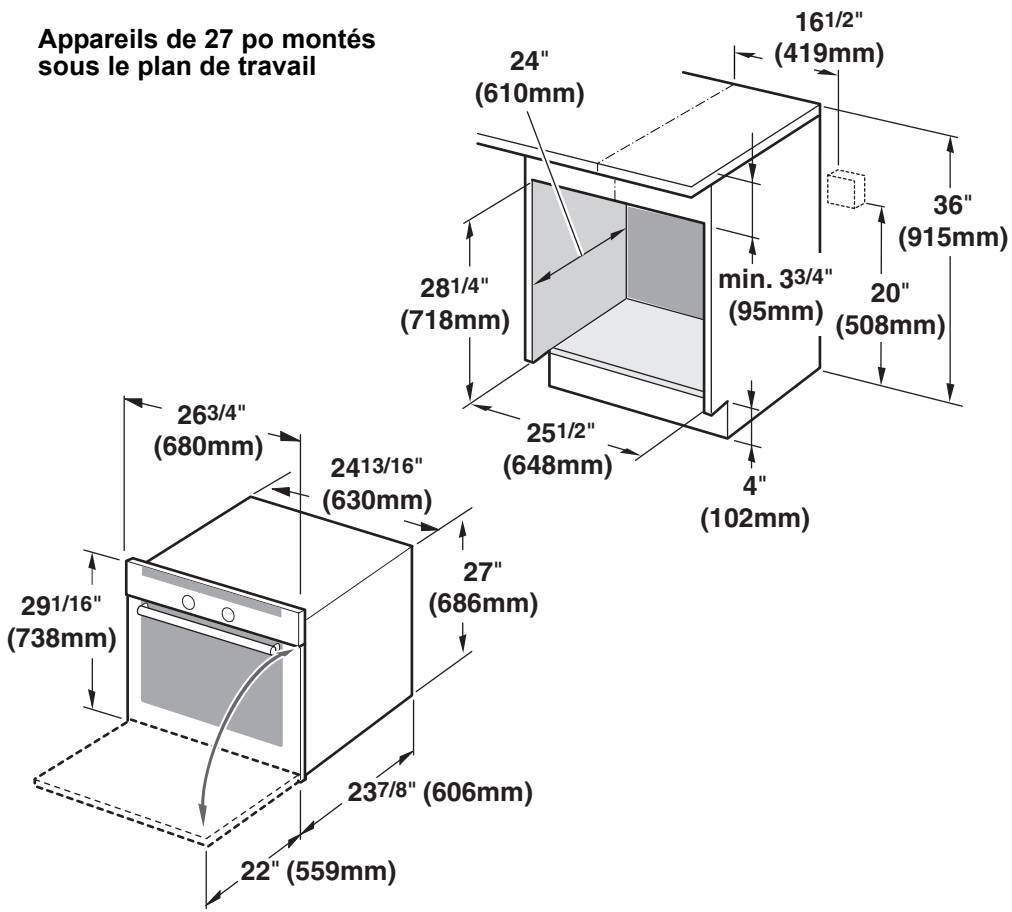
Lorsque le four est installé à l'extrémité d'une série de placards, adjacent à un mur perpendiculaire ou à une porte de placard, il est recommandé de laisser au moins 1/4 po (0,6 cm) d'espace entre la paroi du four et le mur ou la porte.

Pour le soutien du four, installer des montants de 2 pouces sur 4 qui s'étendent de l'avant à l'arrière et viennent affleurer le fond et le côté de l'ouverture. Le socle de soutien doit être bien fixé au plancher ou au coffret et être de niveau.

Remarque : la boîte de connexions doit être située au-dessus de l'appareil pour faciliter les branchements et l'entretien.

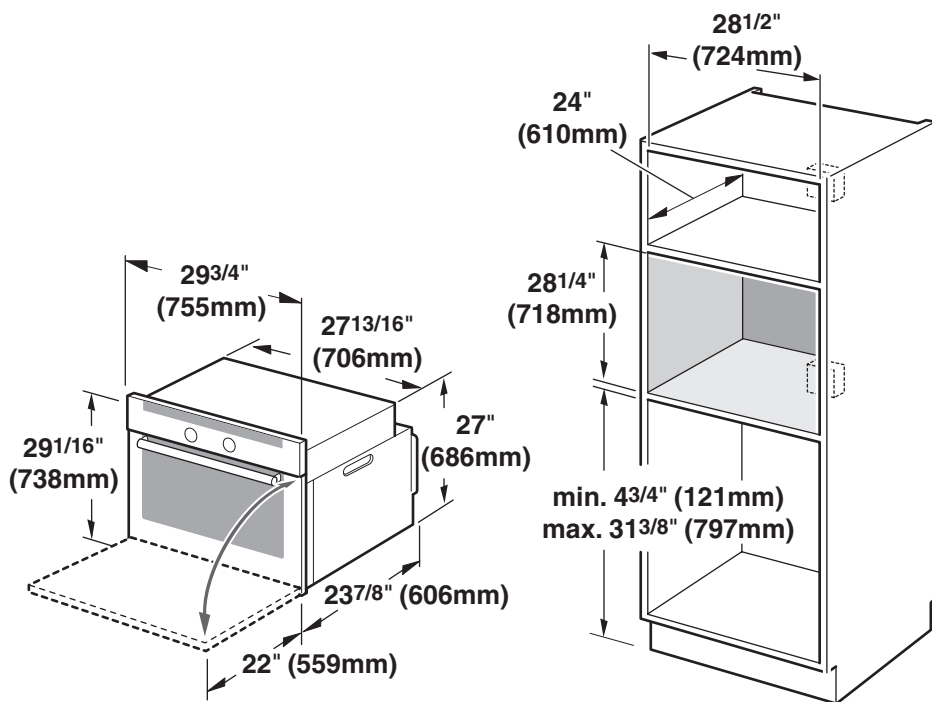
Le socle du coffret doit être plate et apte à soutenir un poids d'au moins 370 lb (168 kg).

Appareils de 27 po montés
sous le plan de travail



Appareils électroménagers de 30 po

Dimensions pour les appareils muraux de 30 po



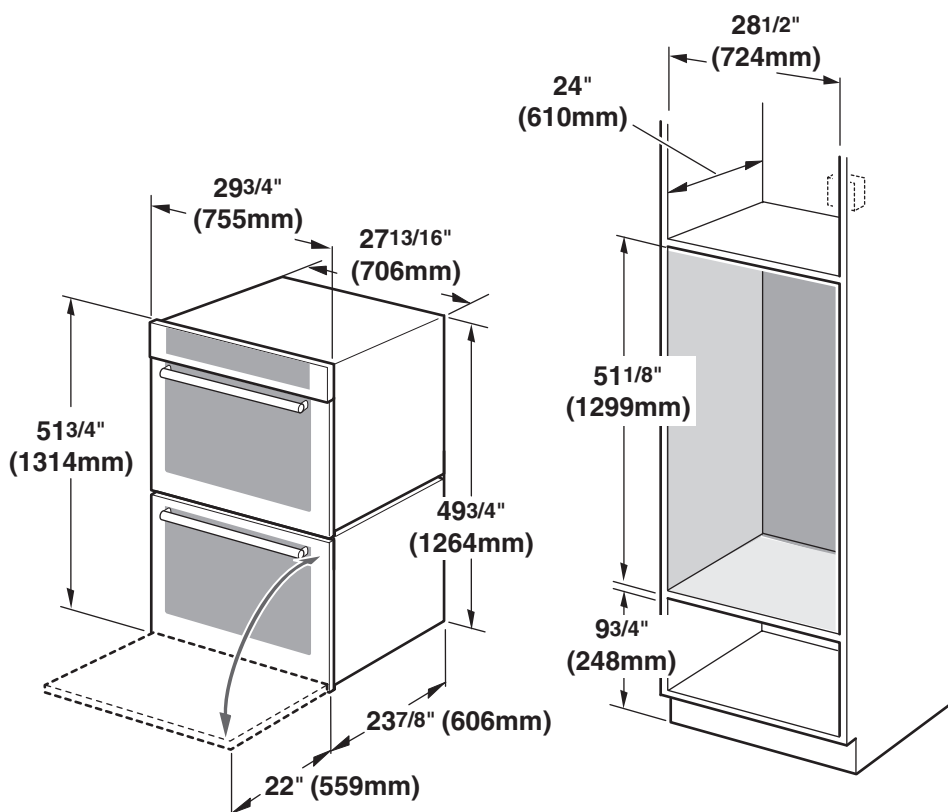
Four unique de 30 po

Lorsque le four est installé à l'extrémité d'une série de placards, adjacent à un mur perpendiculaire ou à une porte de placard, il est recommandé de laisser au moins 1/4 po (0,6 cm) d'espace entre la paroi du four et le mur ou la porte.

Pour le soutien du four, installer des montants de 2 pouces sur 4 qui s'étendent de l'avant à l'arrière et viennent affleurer le fond et le côté de l'ouverture. Le socle de soutien doit être bien fixé au plancher ou au coffret et être de niveau.

Remarque : la boîte de connexions doit être installée soit au-dessus, soit au-dessous de l'appareil. Si la boîte de connexions est installée sous l'appareil, un espace ou une ouverture de 2 po (5,8 cm) de diamètre est requis entre le mur arrière et la partie arrière droite des montants de support de 2 pouces sur 4.

Le socle du coffret doit être plate et apte à soutenir un poids d'au moins 190 lb (86 kg).



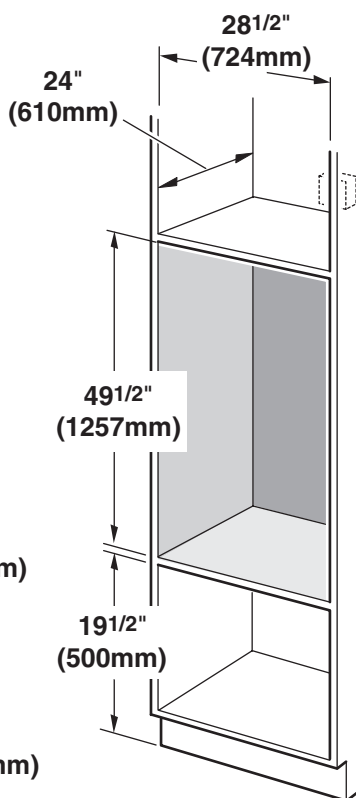
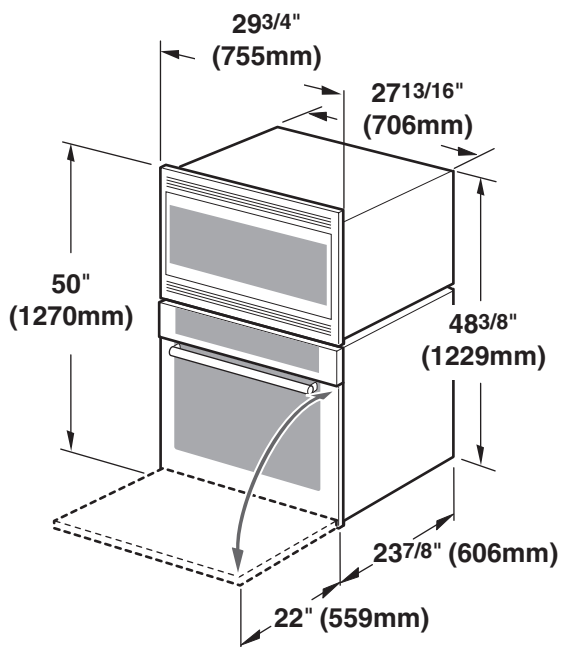
Fours doubles de 30 po

Lorsque le four est installé à l'extrémité d'une série de placards, adjacent à un mur perpendiculaire ou à une porte de placard, il est recommandé de laisser au moins 1/4 po (0,6 cm) d'espace entre la paroi du four et le mur ou la porte.

Pour le soutien du four, installer des montants de 2 pouces sur 4 qui s'étendent de l'avant à l'arrière et viennent affleurer le fond et le côté de l'ouverture. Le socle de soutien doit être bien fixé au plancher ou au coffret et être de niveau.

Remarque : la boîte de connexions doit être située au-dessus de l'appareil pour faciliter les branchements et l'entretien.

Le socle du coffret doit être plate et apte à soutenir un poids d'au moins 330 lb (150 kg).



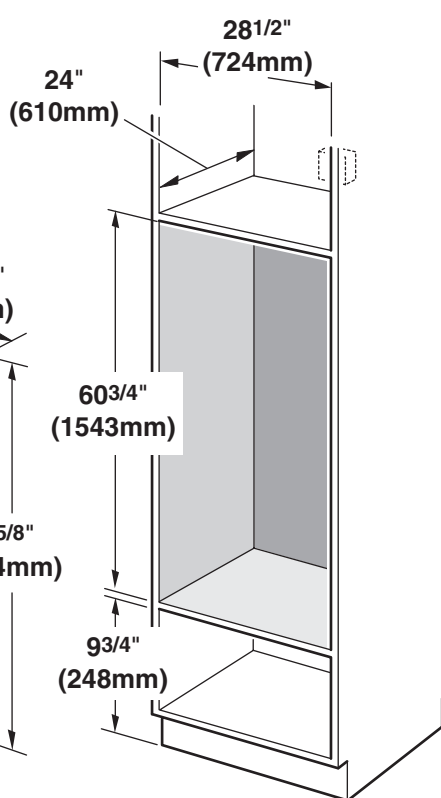
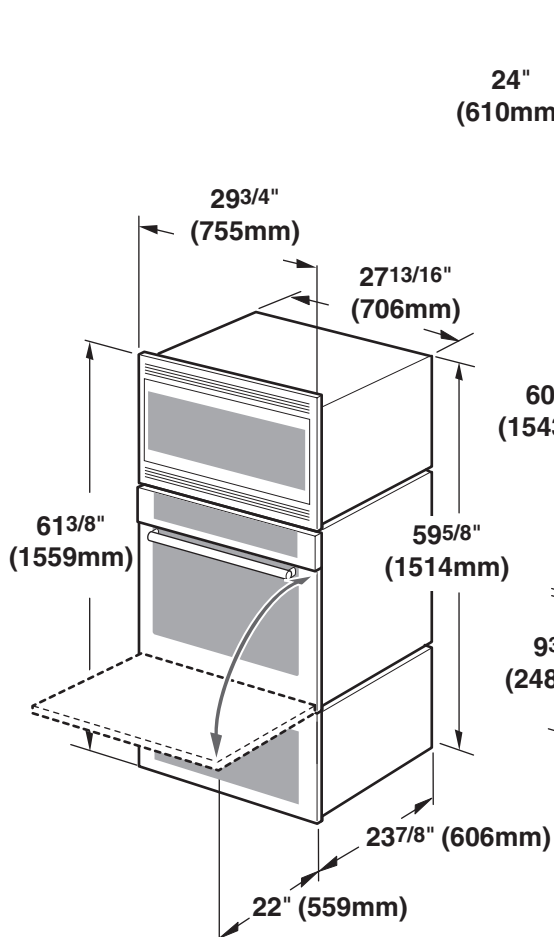
Four combiné avec micro-ondes de 30 po

Lorsque le four est installé à l'extrémité d'une série de placards, adjacent à un mur perpendiculaire ou à une porte de placard, il est recommandé de laisser au moins 1/4 po (0,6 cm) d'espace entre la paroi du four et le mur ou la porte.

Pour le soutien du four, installer des montants de 2 pouces sur 4 qui s'étendent de l'avant à l'arrière et viennent affleurer le fond et le côté de l'ouverture. Le socle de soutien doit être bien fixé au plancher ou au coffret et être de niveau.

Remarque : la boîte de connexions doit être située au-dessus de l'appareil pour faciliter les branchements et l'entretien.

Le socle du coffret doit être plate et apte à soutenir un poids d'au moins 290 lb (132 kg).



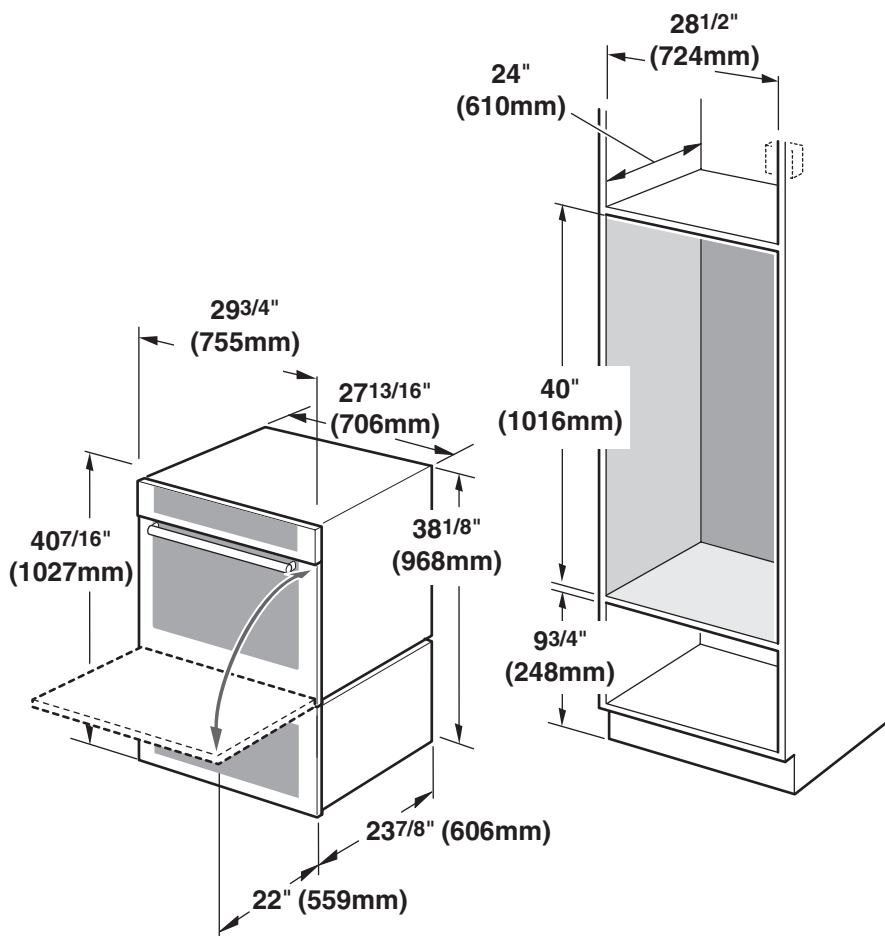
Four combiné avec micro-ondes et tiroir-réchaud d 30 po (76,2 cm)

Lorsque le four est installé à l'extrémité d'une série de placards, adjacent à un mur perpendiculaire ou à une porte de placard, il est recommandé de laisser au moins 1/4 po (0,6 cm) d'espace entre la paroi du four et le mur ou la porte.

Pour le soutien du four, installer des montants de 2 pouces sur 4 qui s'étendent de l'avant à l'arrière et viennent affleurer le fond et le côté de l'ouverture. Le socle de soutien doit être bien fixé au plancher ou au coffret et être de niveau.

Remarque : la boîte de connexions doit être située au-dessus de l'appareil pour faciliter les branchements et l'entretien.

Le socle du coffret doit être plate et apte à soutenir un poids d'au moins 310 lb (141 kg).



Four combiné avec tiroir-réchaud de 30 po

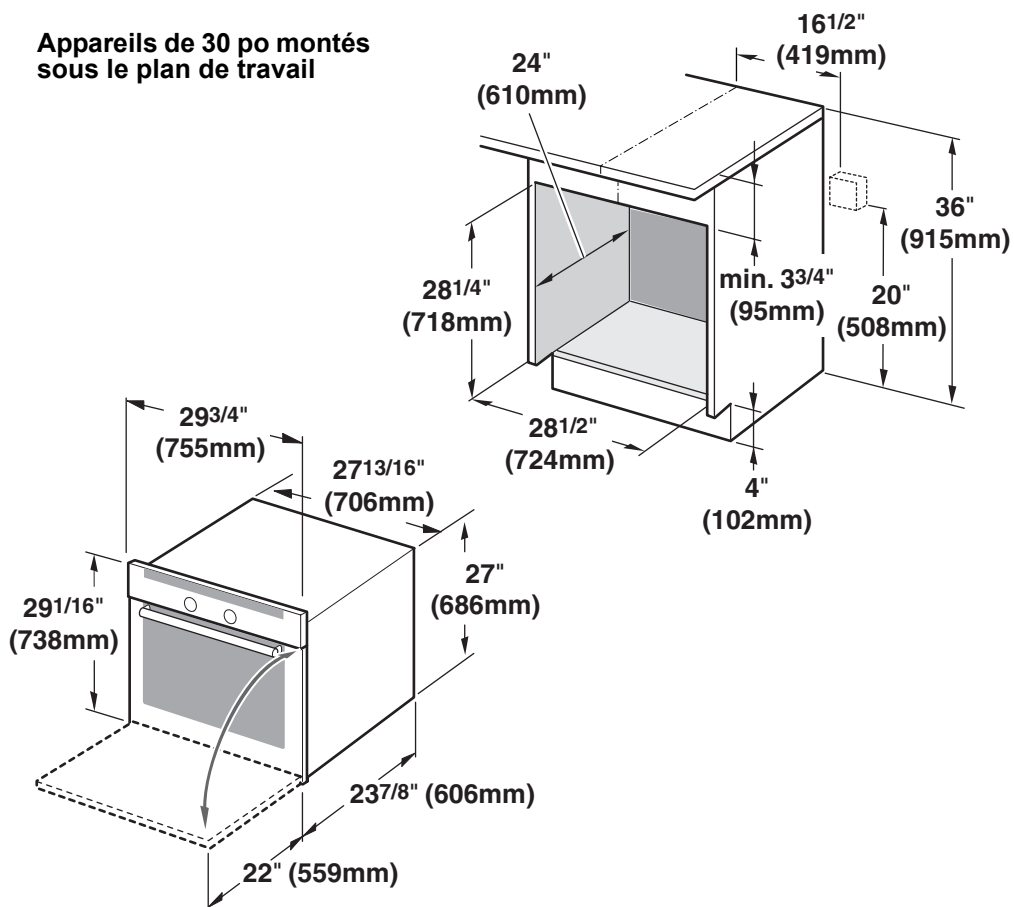
Lorsque le four est installé à l'extrémité d'une série de placards, adjacent à un mur perpendiculaire ou à une porte de placard, il est recommandé de laisser au moins 1/4 po (0,6 cm) d'espace entre la paroi du four et le mur ou la porte.

Pour le soutien du four, installer des montants de 2 pouces sur 4 qui s'étendent de l'avant à l'arrière et viennent affleurer le fond et le côté de l'ouverture. Le socle de soutien doit être bien fixé au plancher ou au coffret et être de niveau.

Remarque : la boîte de connexions doit être située au-dessus de l'appareil pour faciliter les branchements et l'entretien.

Le socle du coffret doit être plate et apte à soutenir un poids d'au moins 290 lb (132 kg).

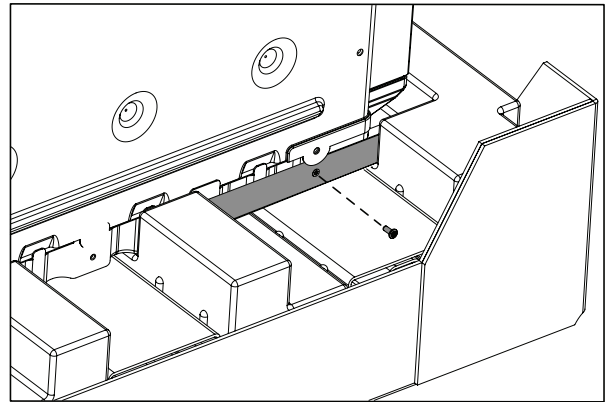
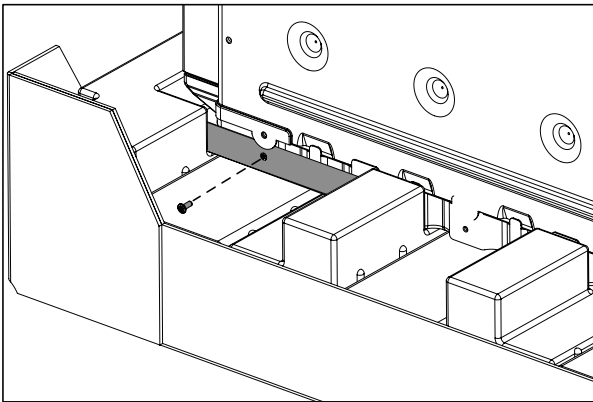
Appareils de 30 po montés
sous le plan de travail



Pour enlever l'emballage

- Coupez l'emballage d'aluminium près des tiges de coin.
- Enlevez complètement l'aluminium.
- Enlevez le carton de la partie supérieure.
- Enlevez tous les cartons du dessus et des côtés de même que les attaches de polystyrène.
- Placez le four en face de l'endroit où il sera installé.
- Dévissez les supports de gauche et de droite de l'appareil, tel qu'indiqué sur la « Comment enlever les supports de gauche et de droite de l'emballage. »

Comment enlever les supports de gauche et de droite de l'emballage

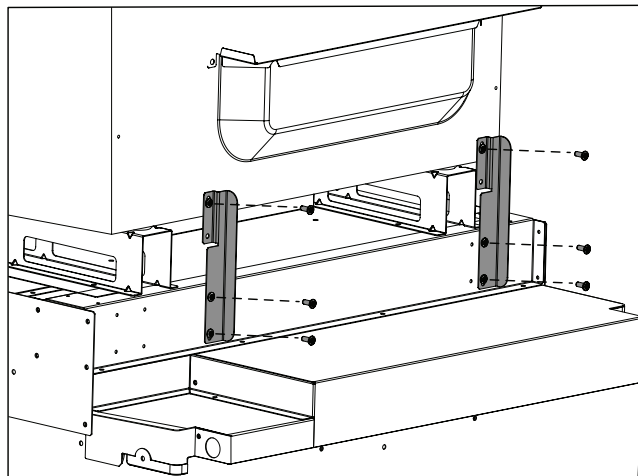


Remarques : Les supports demeurent sur la base de l'emballage. L'appareil devrait rester sur la plaque de fond de l'emballage jusqu'à ce qu'il soit prêt à être soulevé vers l'endroit qui lui est destiné.

Pour les fours combinés de micro-ondes et convection

Enlevez les 2 supports d'expédition du four à micro-ondes/convection avant l'installation, tel qu'indiqué sur la « Comment enlever les supports d'expédition du four à micro-ondes/convection. »

Comment enlever les supports d'expédition du four à micro-ondes/convection (pour les appareils combinés de micro-ondes)



Préparation du four

Placer le four devant l'armoire où il est installé. Le déposer sur un support robuste afin qu'il soit aligné avec la découpe de l'armoire.

Installation

Installation électrique

Tous les modèles de four figurant sur la couverture avant ont deux caractéristiques assignées et sont conçus pour être branchés sur une source d'alimentation électrique monophasée, à 4 fils, de 60 Hz, 208 ou 240 V.C.A.

Modèle	Circuit requis	
	208V, 60 Hz	240V, 60 Hz
HBN33, HBL33	25 AMP	30 AMP
HBN34, HBL34, HBN54, HBL54 HBL85	30 AMP	30 AMP
HBN35, HBL35, HBN56, HBL56, HBL57, HBL8650, HBL8750	circuit de 40 ou 50 Amp. Se reporter aux codes de l'électricité locaux pour connaître les exigences de déclassement.	

L'appareil doit être alimenté en courant alternatif monophasé à 4 fils. Installer une boîte de connexions appropriée (non fournie).

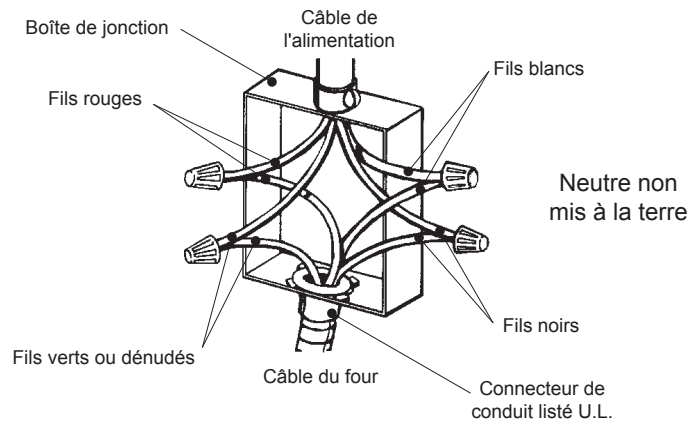
Important : les codes locaux peuvent différer. L'installation, les branchements électriques et la mise à la terre doivent être conformes à tous les codes locaux applicables.

Si les codes locaux autorisent une mise à la terre par un fil électrique neutre, brancher le fil neutre blanc et le fil de terre nu du four au fil d'alimentation électrique neutre blanc.

Raccordement électrique

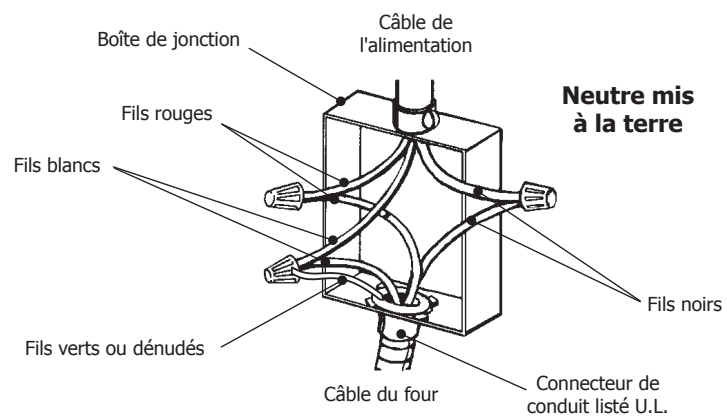
La connexion de circuit terminal à 4 fils est recommandée, mais là où les codes le permettent, la connexion à 3 fils est acceptable.

Connexion à quatre fils



- Brancher le fil rouge du four au fil d'alimentation électrique rouge (fil chaud).
- Brancher le fil noir du four au fil d'alimentation électrique noir (fil chaud).
- Brancher le fil neutre blanc du four au fil neutre blanc de l'alimentation électrique (pas le fil de terre nu).
- Brancher le fil de terre nu du four au fil de terre nu de l'alimentation électrique.

Connexion à trois fils



- Brancher le fil rouge du four sur le fil rouge de la boîte de jonction.
- Brancher le fil noir du four sur le fil noir.
- Brancher les fils blanc et de mise à la terre vert sur le fil neutre blanc (ou gris) dans la boîte de jonction.

Le conduit de câbles pivote à son point de raccordement au four. Tournez-le vers le haut (ou vers le bas) et passez-le directement dans l'orifice aménagé dans le coffret pour le brancher à la boîte de jonction.

Pour faciliter l'entretien et la réparation, le câble flexible ne doit pas être raccourci et doit être acheminé de façon à permettre la dépose temporaire du four.

Installation du four

Remarque : Avant d'installer le four, prendre soin de vérifier la dimension du coffret et les raccordements électriques.

Retrait de la porte du four

Pour faciliter l'installation, certaines portes de four peuvent être démontées pour réduire le poids du four de 30 lb (14 kg) pour chaque porte, avant l'installation à l'intérieur du coffret. Voir les instructions ci-dessous.

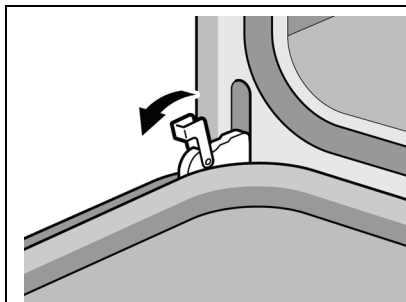


ATTENTION :

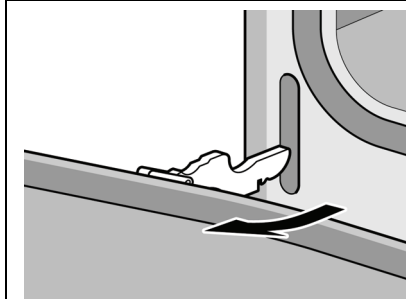
Lors du retrait de la porte :

- Avant d'enlever la porte, s'assurer que le four est froid et que le courant qui l'alimente a été coupé. Le non respect de cette précaution pourrait entraîner un choc électrique ou des brûlures.
- La porte du four est lourde et fragile. Utiliser les deux mains pour l'enlever. Le devant est en verre. Manipuler avec précautions pour éviter les cassures.
- Saisir uniquement les côtés de la porte. Ne pas prendre la poignée, car elle peut osciller dans la main et causer des dommages ou des blessures.
- Si la porte du four n'est pas saisie fermement et correctement, il y a un risque de lésion corporelle ou de dommage au produit.
- Pour éviter toute blessure causée par l'enclenchement soudain du support charnière, s'assurer que les deux leviers sont bien enclenchés avant d'enlever la porte. En outre, ne pas forcer la porte pour l'ouvrir ou la fermer car la charnière risque de s'abîmer et vous pourriez vous blesser.

Retrait de la porte du four :



1. S'assurer de lire l'encart "ATTENTION" ci-dessus avant de tenter de démonter la porte.
2. Ouvrir la porte complètement.
3. Basculer les leviers des charnières vers soi.

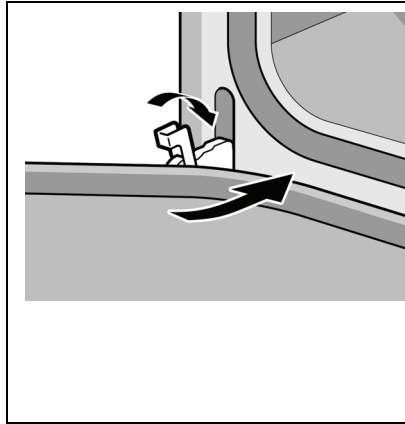


1. Fermer la porte doucement jusqu'à ce qu'elle se bloque. Elle se ferme environ à mi-chemin.
2. Tenir fermement la porte par les côtés avec les deux mains, tirer tout droit vers le haut hors des fentes de charnières et la sortir. Maintenir fermement, la porte est lourde.
3. Placer la porte dans un endroit pratique et stable pour le nettoyage.

Installation du four

1. Faites glisser l'appareil à l'endroit prévu de l'installation. Ne soulevez pas l'appareil par la poignée de la porte.
2. Le pousser droit jusqu'à ce qu'il soit à égalité avec le mur de l'armoire en faisant attention à ne pas coincer le conduit flexible entre le four et la paroi arrière de l'armoire. Le four doit être droit et non croché.
3. Fixez les vis fournies à travers les trous de mise en perce de la bordure. (2 vis pour les fours simples, 4 vis pour les fours doubles/combos)

Installation de la porte du four :



1. Tenir fermement la porte avec les deux mains. Placer les charnières dans les fentes.
2. Ouvrir la porte complètement pour exposer charnières et fentes.
3. Pousser le levier vers le bas et loin de soi jusqu'à ce qu'il vienne affleurer l'attache.
4. Fermer et ouvrir la porte lentement pour s'assurer qu'elle est correctement et solidement installée. Elle doit être droite et ne pas dévier.

Test de contrôle

1. Mettre l'alimentation en circuit au coupe-circuit.
2. Vérifier l'alimentation à la boîte de jonction à l'aide d'un voltmètre.
Pour le 240 V, la lecture entre les fils rouge et noir (ligne à ligne) doit être de 220 à 240 volts.
Pour le 208 V, la lecture entre les fils rouge et noir (ligne à ligne) doit être de 190 à 208 volts.
3. Vérifier le mode four.
Choisir le mode **BAKE** (four). Voir les instructions de fonctionnement dans le guide d'utilisation et d'entretien.
4. Vérifier si l'éclairage du four s'allume et que le four commence à préchauffer.
5. Vérifier le verrouillage de porte.
Régler au mode **SELF CLEAN** (autonettoyage). S'assurer que la porte se verrouille lorsque l'icône figure à l'affichage.
6. Pour un four double, vérifier le second four.
7. Si les vérifications ne donnent pas les résultats escomptés, communiquer avec le service Thermador pour de l'aide. Autrement, l'installation est complétée.

Dépannage

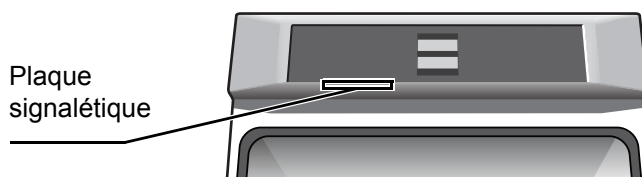
Avant d'appeler le service de dépannage

Pour des informations sur le dépannage, se reporter au Manuel d'utilisation et d'entretien. Consulter la garantie figurant dans le Manuel d'utilisation et d'entretien.

Pour contacter un technicien de dépannage, voir les coordonnées sur la couverture avant du manuel. Lorsque vous téléphonez, soyez prêt à fournir les informations imprimées sur la plaque signalétique de votre produit.

Plaque signalétique

La plaque signalétique comporte le numéro de modèle et le numéro de série. Se reporter à la plaque signalétique de l'appareil électroménager pour faire une demande de dépannage. La plaque signalétique se trouve sur la partie inférieure du tableau de commande :



Contenidos

Seguridad	1
Instrucciones de seguridad importantes	1
Instalación	3
Antes de empezar	3
Herramientas y piezas necesarias	3
Piezas incluidas	3
Electrodomésticos de 27"	3
Información general	3
Electrodomésticos de 30"	7
Quitar el embalaje	11
Para los hornos combinados de microondas y convección	11
Instalación	13
Instalación eléctrica	13
Instalar el horno	15
Probar el equipo	16
Servicio	17
Antes de llamar al servicio	17

Este electrodomestico de Bosch es hecho por
BSH Home Appliances Corporation
5551 McFadden Ave.
Huntington Beach, CA 92649

¿Preguntas?

1-800-944-2904

www.boschappliances.com

¡Esperamos oír de usted!

Seguridad



Instrucciones de seguridad importantes

LEA Y CONSERVE ESTAS INSTRUCCIONES

ADVERTENCIA:

Si no sigue la información de este manual exactamente, se puede ocasionar un incendio o una descarga eléctrica que puede causar daños materiales o lesiones personales.

ADVERTENCIA:

No repare ni cambie ninguna parte del electrodoméstico, a menos que se recomiende específicamente en los manuales. La instalación, servicio técnico o mantenimiento incorrectos pueden causar lesiones o daños materiales. Consulte este manual para su orientación. Cualquier otro tipo de reparación debe ser realizada por un técnico calificado.

Seguridad con el manejo del electrodoméstico

No levante el electrodoméstico tomándolo del asa de la puerta. Retire la puerta para facilitar la manipulación y la instalación. Consulte las instrucciones en el Manual de uso y cuidado.

La unidad es pesada y se requieren al menos dos personas o un equipo adecuado para trasladarla.

Las superficies ocultas pueden tener bordes filosos. Proceda con cuidado al intentar tomar el electrodoméstico por la parte trasera o desde abajo.

Códigos y normas de seguridad

Este electrodoméstico cumple con una o más de las siguientes normas:

- UL 858, Norma de seguridad para estufas eléctricas de uso doméstico (Standard for the Safety of Household Electric Ranges)
- UL 923, Norma de seguridad para electrodomésticos de cocción por microondas (Standard for the Safety of Microwave Cooking Appliances)
- UL 507, Norma de seguridad para ventiladores eléctricos (Standard for the Safety of Electric Fans)
- ANSI Z21.1, Norma nacional estadounidense para electrodomésticos a gas para cocinar de uso doméstico (American National Standard for Household Cooking Gas Appliances)
- CAN/CSA-C22.2 N.º 113-M1984, Ventiladores (Fans and Ventilators)
- CAN/CSA-C22.2 N.º 61-M89, Estufas de uso doméstico (Household Cooking Ranges)

Es responsabilidad del propietario y el instalador determinar si se aplican otros requisitos y/o normas en instalaciones específicas.

Seguridad con la electricidad

Antes de enchufar un cable eléctrico, asegúrese de que todos los controles estén en posición OFF (Apagado).

Si el Código Nacional Eléctrico (o el Código Eléctrico Canadiense) así lo requiere, este electrodoméstico debe instalarse en un circuito derivado por separado.



Instrucciones de seguridad importantes

LEA Y CONSERVE ESTAS INSTRUCCIONES

Instalador: muestre al propietario la ubicación del disyuntor o el fusible. Márquela para recordarla más fácilmente.

Importante: conserve estas instrucciones para uso del inspector de electricidad local.

Antes de realizar la instalación, apague el suministro eléctrico en el panel de servicio. Trabe el panel de servicio para impedir que se encienda accidentalmente el suministro eléctrico.

Para obtener más información, consulte la placa de datos. Para conocer la ubicación de la placa de datos, consulte la sección "Placa de datos" debajo de "Servicio técnico".

Asegúrese de que el electrodoméstico sea correctamente instalado y conectado a tierra por un técnico calificado. La instalación, las conexiones eléctricas y la conexión a tierra deben cumplir con todos los códigos correspondientes.

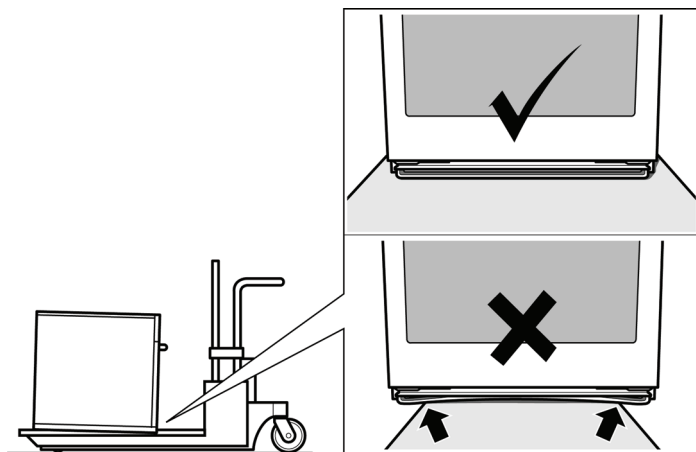
Seguridad de los equipos relacionados

Retire toda la cinta y el embalaje antes de usar el electrodoméstico. Destruya el embalaje después de desembalar el electrodoméstico. Nunca deje que los niños jueguen con el material de embalaje.

Nunca modifique ni altere la construcción del electrodoméstico. Por ejemplo, no retire las patas niveladoras, paneles, cubiertas para cables ni soportes/tornillos antivuelco.

Transporte

Para evitar el daño a la abertura del horno, utiliza el método del transporte mostrado en el dibujo abajo.



Instalación

Antes de empezar

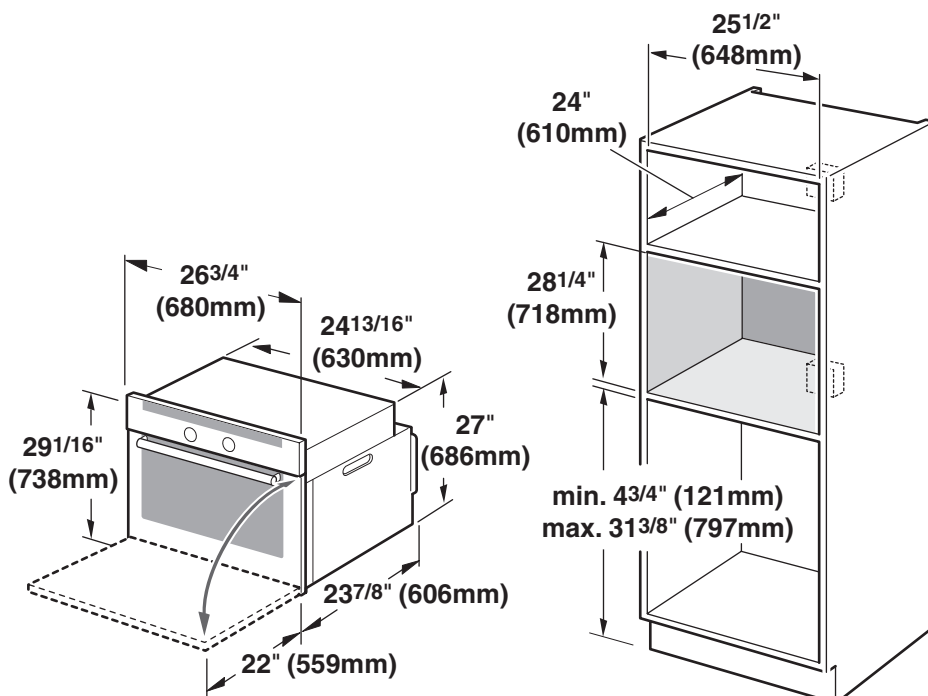
- Herramientas y piezas necesarias
- Destornillador con cabeza Phillips
 - Cinta métrica
 - Taladro con broca (1/8")
- Piezas incluidas
- Tornillos con cabeza Phillips (6)

Electrodomésticos de 27"

Información general

Requisitos de electricidad La toma de corriente debe tener la conexión a tierra adecuada de conformidad con todos los códigos correspondientes.

Dimensiones para unidades montadas a la pared de 27"



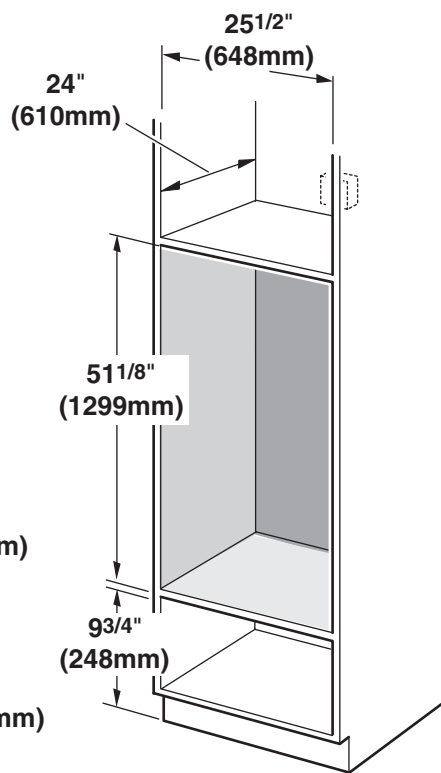
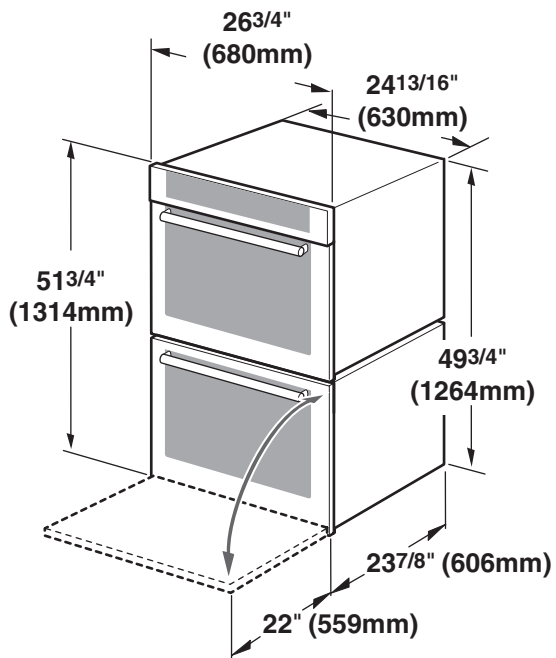
Horno individual de 27"

Cuando el horno está instalado al final de un gabinete, junto a una pared perpendicular o a una puerta del gabinete, se aconseja dejar un espacio de al menos 1/4" entre el costado del horno y la pared/puerta.

Para un mejor apoyo del horno, instale tablas de madera de 2 x 4 de adelante hacia atrás, que estén niveladas con la parte inferior y lateral de la abertura. La base de apoyo debe estar bien asegurada al piso/gabinete y nivelada.

Nota: La caja de conductos debe instalarse encima o debajo de la unidad. Si la caja de conductos se instala debajo de la unidad, se debe dejar un orificio o espacio de 2" de diámetro entre la pared trasera y la parte posterior derecha de los soportes de 2 x 4.

La base del gabinete debe ser plana y capaz de sostener un peso de por lo menos 210 lb (95 kg).



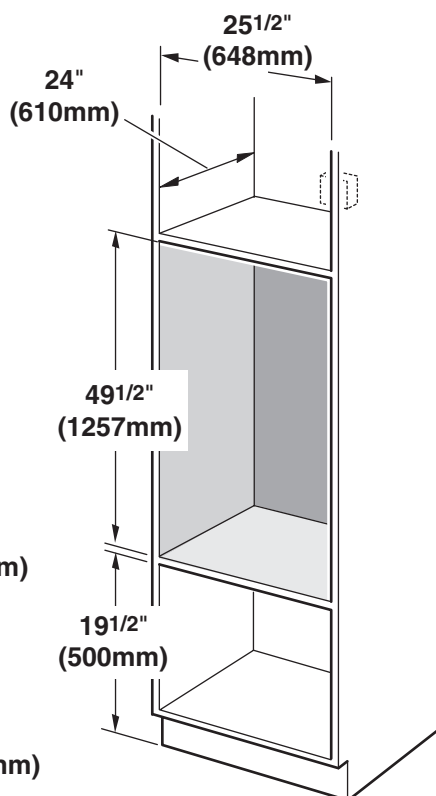
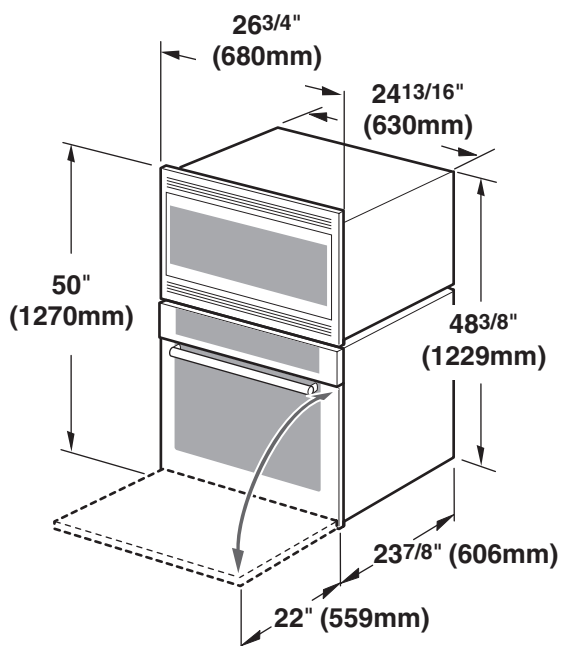
Hornos dobles de 27"

Cuando el horno está instalado al final de un gabinete, junto a una pared perpendicular o a una puerta del gabinete, se aconseja dejar un espacio de al menos 1/4" entre el costado del horno y la pared/puerta.

Para un mejor apoyo del horno, instale tablas de madera de 2 x 4 de adelante hacia atrás, que estén niveladas con la parte inferior y lateral de la abertura. La base de apoyo debe estar bien asegurada al piso/gabinete y nivelada.

Nota: La caja de conductos debe estar ubicada sobre la unidad para facilitar la conexión y el servicio técnico.

La base del gabinete debe ser plana y capaz de sostener un peso de por lo menos 355 lb (161 kg).



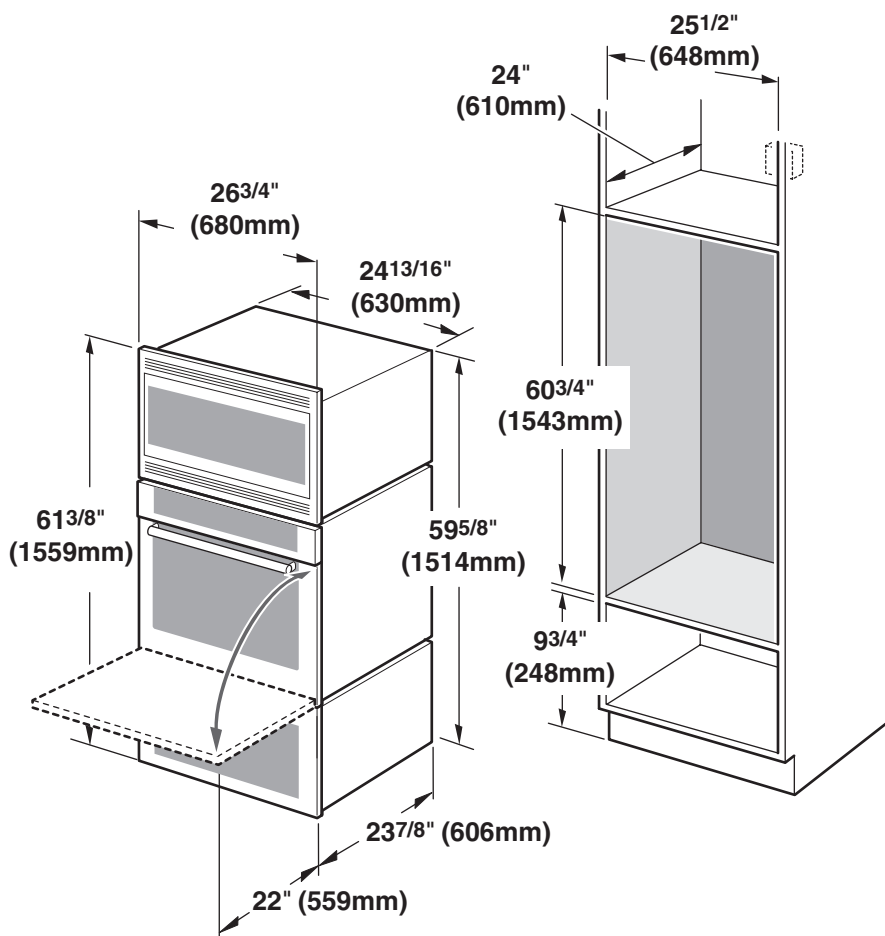
Horno combinado con microondas de 27"

Cuando el horno está instalado al final de un gabinete, junto a una pared perpendicular o a una puerta del gabinete, se aconseja dejar un espacio de al menos 1/4" entre el costado del horno y la pared/puerta.

Para un mejor apoyo del horno, instale tablas de madera de 2 x 4 de adelante hacia atrás, que estén niveladas con la parte inferior y lateral de la abertura. La base de apoyo debe estar bien asegurada al piso/gabinete y nivelada.

Nota: La caja de conductos debe estar ubicada sobre la unidad para facilitar la conexión y el servicio técnico.

La base del gabinete debe ser plana y capaz de sostener un peso de por



Horno combinado con microondas y cajón calentador de 27"

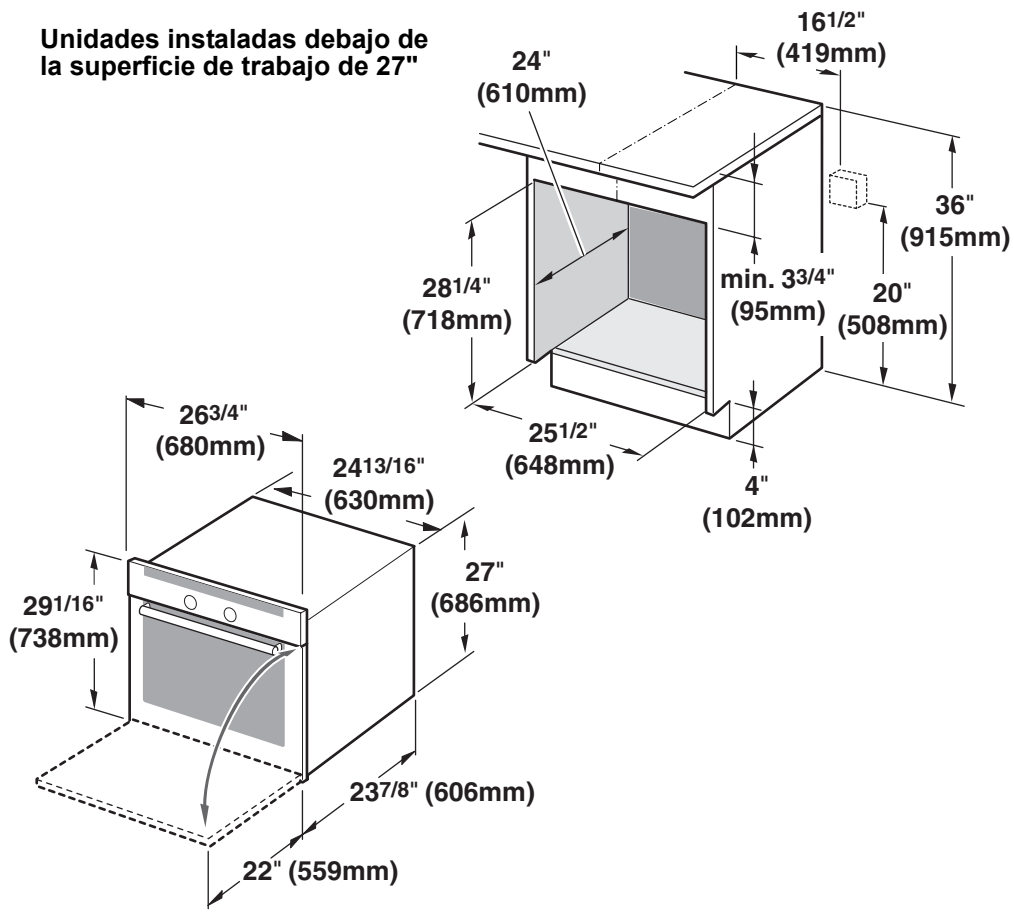
Cuando el horno está instalado al final de un gabinete, junto a una pared perpendicular o a una puerta del gabinete, se aconseja dejar un espacio de al menos 1/4" entre el costado del horno y la pared/puerta.

Para un mejor apoyo del horno, instale tablas de madera de 2 x 4 de adelante hacia atrás, que estén niveladas con la parte inferior y lateral de la abertura. La base de apoyo debe estar bien asegurada al piso/gabinete y nivelada.

Nota: La caja de conductos debe estar ubicada sobre la unidad para facilitar la conexión y el servicio técnico.

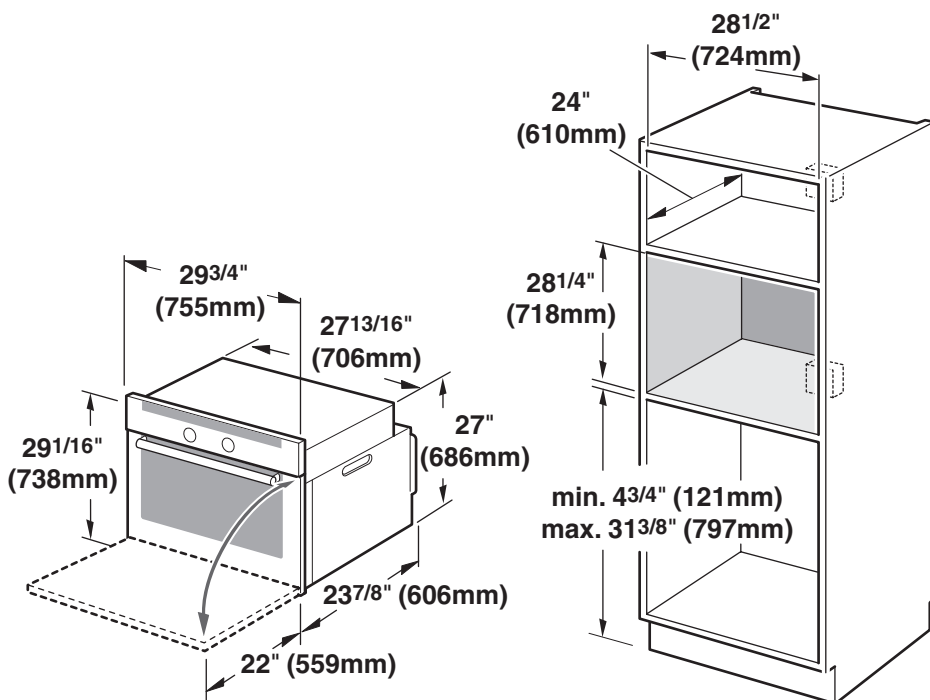
La base del gabinete debe ser plana y capaz de sostener un peso de por lo menos 370 lb (168 kg).

Unidades instaladas debajo de la superficie de trabajo de 27"



Electrodomésticos de 30"

Dimensiones para unidades montadas a la pared de 30"



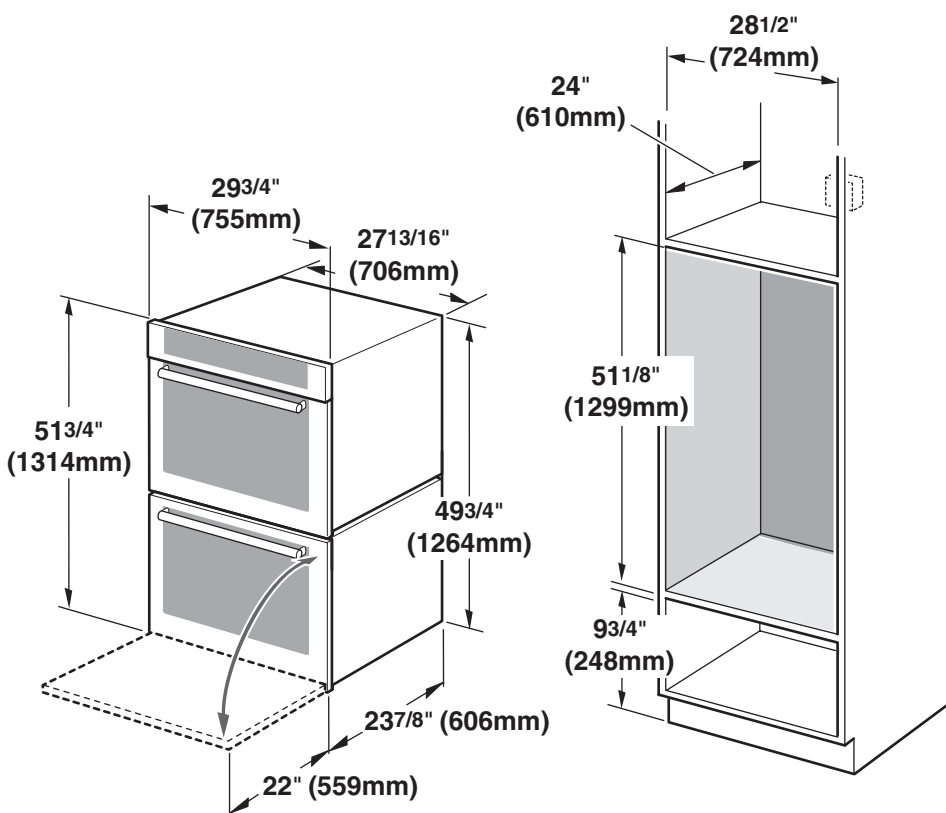
Horno individual de 30"

Cuando el horno está instalado al final de un gabinete, junto a una pared perpendicular o a una puerta del gabinete, se aconseja dejar un espacio de al menos 1/4" entre el costado del horno y la pared/puerta.

Para un mejor apoyo del horno, instale tablas de madera de 2 x 4 de adelante hacia atrás, que estén niveladas con la parte inferior y lateral de la abertura. La base de apoyo debe estar bien asegurada al piso/gabinete y nivelada.

Nota: La caja de conductos debe instalarse encima o debajo de la unidad. Si la caja de conductos se instala debajo de la unidad, se debe dejar un orificio o espacio de 2" de diámetro entre la pared trasera y la parte posterior derecha de los soportes de 2 x 4.

La base del gabinete debe ser plana y capaz de sostener un peso de por lo menos 190 lb (86 kg).



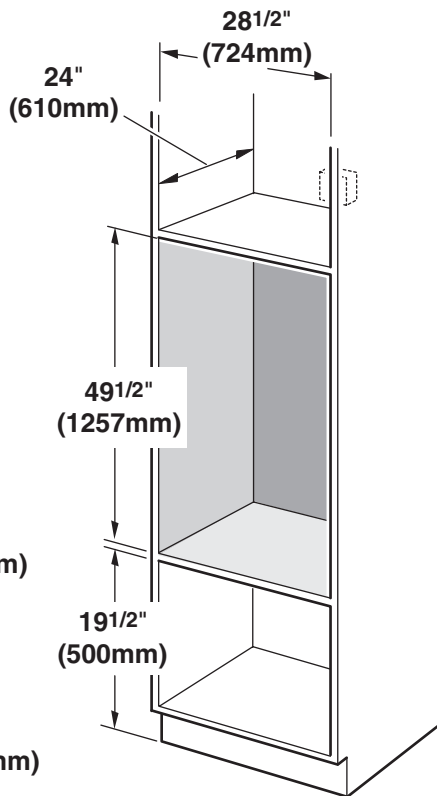
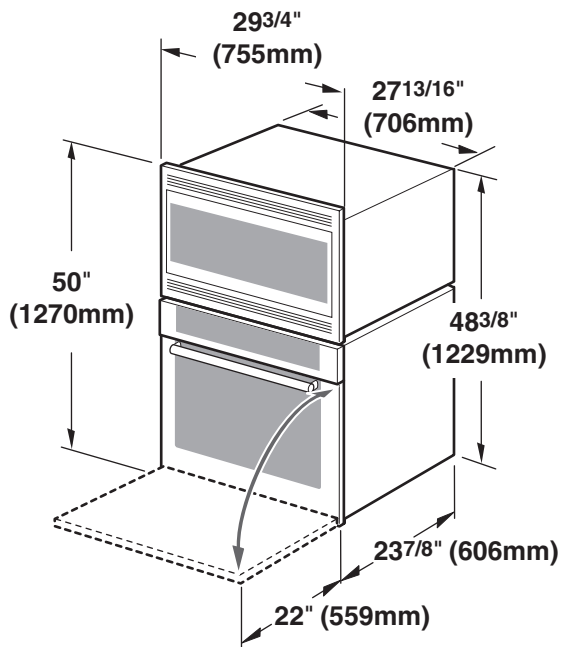
Hornos dobles de 30"

Cuando el horno está instalado al final de un gabinete, junto a una pared perpendicular o a una puerta del gabinete, se aconseja dejar un espacio de al menos 1/4" entre el costado del horno y la pared/puerta.

Para un mejor apoyo del horno, instale tablas de madera de 2 x 4 de adelante hacia atrás, que estén niveladas con la parte inferior y lateral de la abertura. La base de apoyo debe estar bien asegurada al piso/gabinete y nivelada.

Nota: La caja de conductos debe estar ubicada sobre la unidad para facilitar la conexión y el servicio técnico.

La base del gabinete debe ser plana y capaz de sostener un peso de por lo menos 330 lb (150 kg).



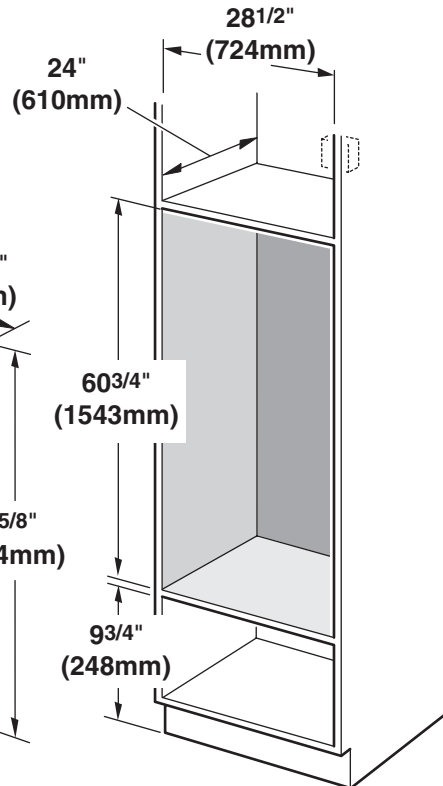
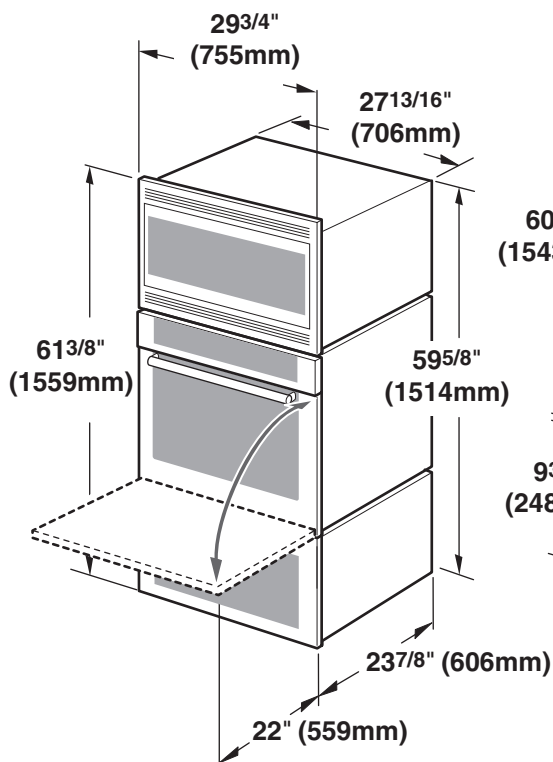
Horno combinado con microondas de 30"

Cuando el horno está instalado al final de un gabinete, junto a una pared perpendicular o a una puerta del gabinete, se aconseja dejar un espacio de al menos 1/4" entre el costado del horno y la pared/puerta.

Para un mejor apoyo del horno, instale tablas de madera de 2 x 4 de adelante hacia atrás, que estén niveladas con la parte inferior y lateral de la abertura. La base de apoyo debe estar bien asegurada al piso/gabinete y nivelada.

Nota: La caja de conductos debe estar ubicada sobre la unidad para facilitar la conexión y el servicio técnico.

La base del gabinete debe ser plana y capaz de sostener un peso



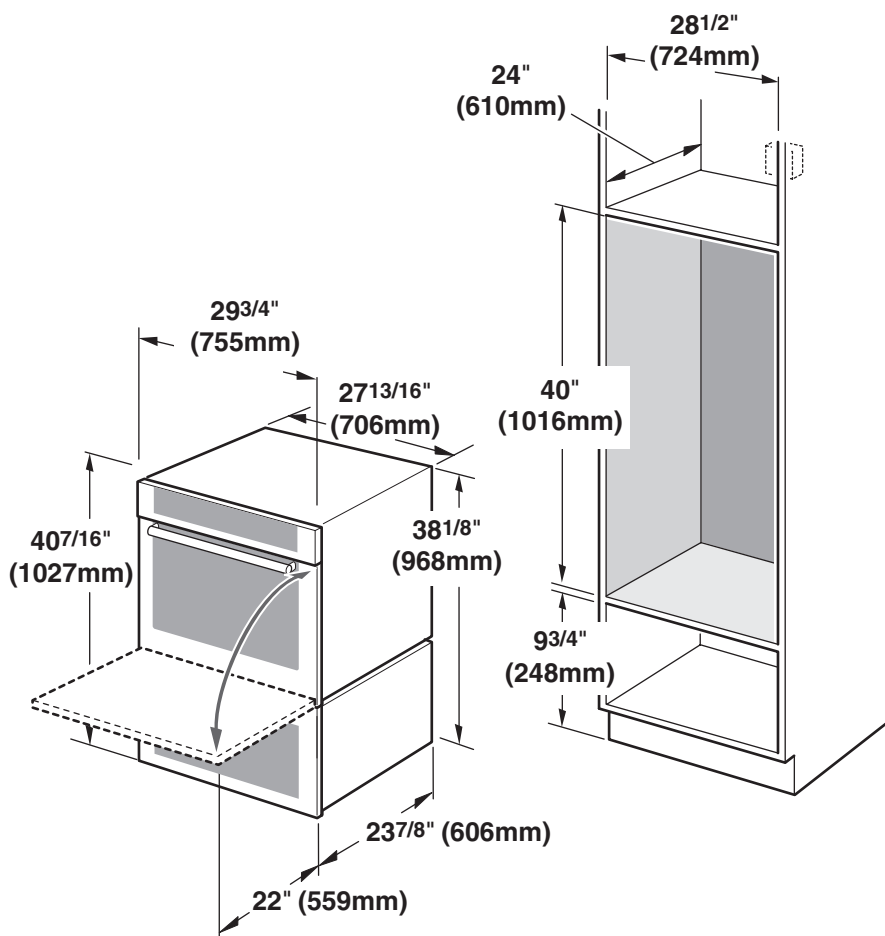
Horno combinado con microondas y cajón calentador de 30"

Cuando el horno está instalado al final de un gabinete, junto a una pared perpendicular o a una puerta del gabinete, se aconseja dejar un espacio de al menos 1/4" entre el costado del horno y la pared/puerta.

Para un mejor apoyo del horno, instale tablas de madera de 2 x 4 de adelante hacia atrás, que estén niveladas con la parte inferior y lateral de la abertura. La base de apoyo debe estar bien asegurada al piso/gabinete y nivelada.

Nota: La caja de conductos debe estar ubicada sobre la unidad para facilitar la conexión y el servicio técnico.

La base del gabinete debe ser plana y capaz de sostener un peso de por lo menos 310 lb (141 kg).



Horno combinado con cajón calentador de 30"

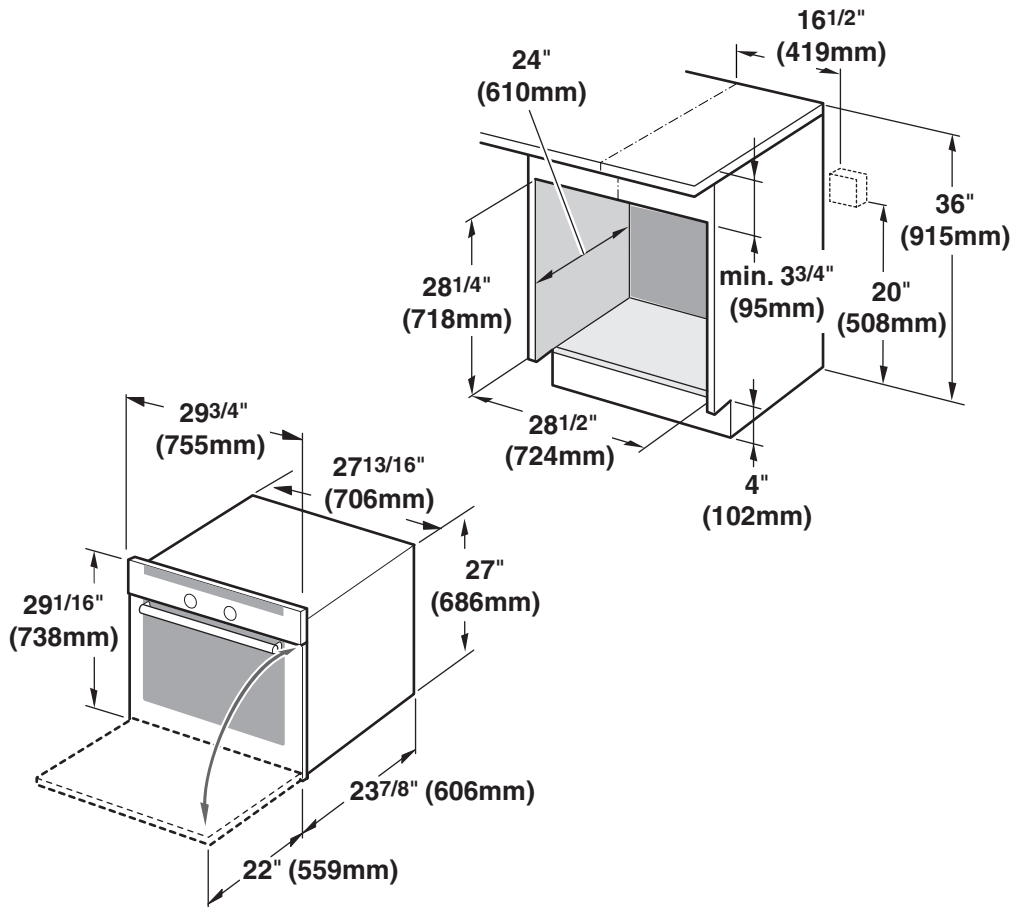
Cuando el horno está instalado al final de un gabinete, junto a una pared perpendicular o a una puerta del gabinete, se aconseja dejar un espacio de al menos 1/4" entre el costado del horno y la pared/puerta.

Para un mejor apoyo del horno, instale tablas de madera de 2 x 4 de adelante hacia atrás, que estén niveladas con la parte inferior y lateral de la abertura. La base de apoyo debe estar bien asegurada al piso/gabinete y nivelada.

Nota: La caja de conductos debe estar ubicada sobre la unidad para facilitar la conexión y el servicio técnico.

La base del gabinete debe ser plana y capaz de sostener un peso de por lo menos 290 lb (132 kg).

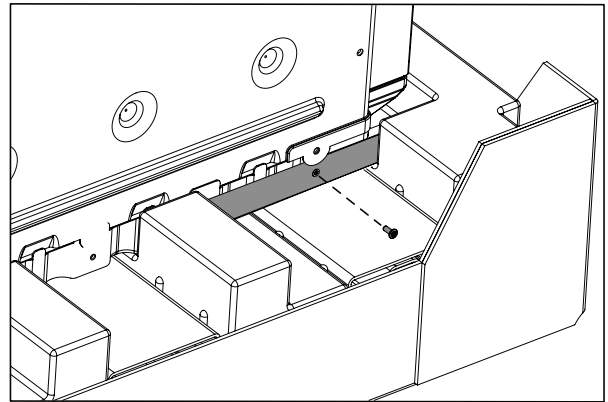
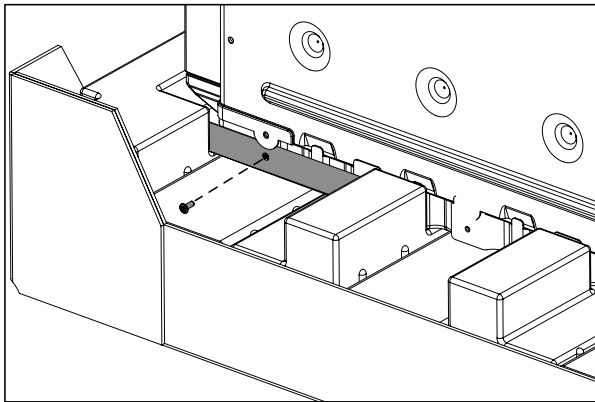
Unidades instaladas debajo de la superficie de trabajo de 30"



Quitar el embalaje

- Corte el embalaje de aluminio cerca de las esquinas.
- Quite completamente el aluminio.
- Quite el cartón superior.
- Quite todos los cartones superiores y laterales así como las grapas de poliestreño.
- Coloque el horno delante del sitio en que se instalará.
- Destornille los tirantes de izquierda et derecha del embalaje, como se enseña en la Figura 1: Como quitar los tirantes de izquierda y derecha del embalaje.

Como quitar los tirantes de izquierda y derecha del embalaje

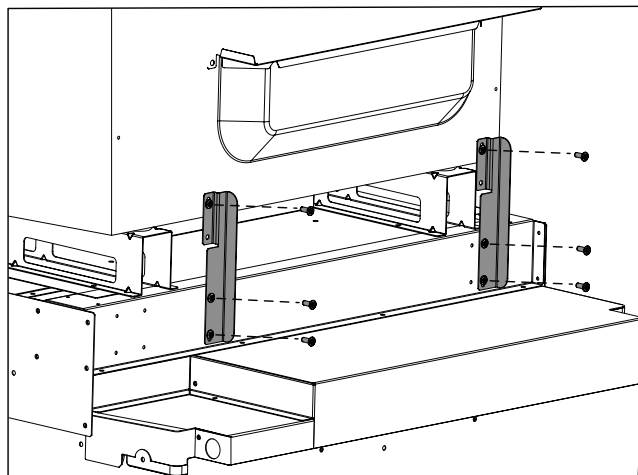


Nota: Los tirantes se quedan en la base del embalaje. El equipo debe quedarse en la base del embalaje hasta levantarlo hacia el sitio en que se instalará.

Para los hornos combinados de microondas y convección

Quite los dos tirantes de transporte del micro-ondas combinado antes de instalarlo como se enseña en “Como quitar los tirantes de transporte del horno microondas y convección.”

Como quitar los tirantes de transporte del horno microondas y convección (para los equipos combinados de microondas y convección)



Preparación del horno

Coloque el horno enfrente de los gabinetes donde se debe instalar. Descanse el horno sobre un gato u otro soporte robusto para que quede alineado con el recorte para el gabinete.

Instalación

Instalación eléctrica

Todos los modelos de hornos que se detallan en la portada tienen capacidad nominal doble y están diseñados para conectarse a una fuente de alimentación eléctrica monofásica, de 4 hilos, 208/240 V CA, 60 Hz.

Modelo	Circuito requerido	
	208 V, 60 Hz	240 V, 60 Hz
HBN33, HBL33	25 AMP	30 AMP
HBN34, HBL34, HBN54, HBL54 HBL85	30 AMP	30 AMP
HBN35, HBL35, HBN56, HBL56, HBL57, HBL8650, HBL8750	Circuito de 40 ó 50 amperios. Consulte los requisitos de reducción de capacidad nominal de potencia en los códigos de electricidad locales.	

El suministro eléctrico debe ser de CA monofásica, de 4 hilos. Instale una caja de conductos adecuada (no viene incluida).

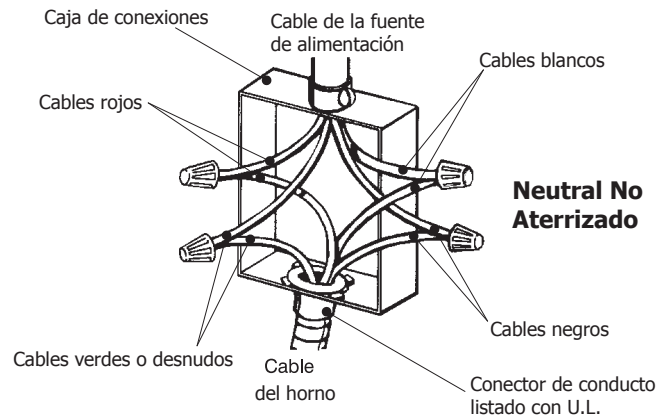
Importante: Los códigos locales pueden variar. La instalación, las conexiones eléctricas y la conexión a tierra deben cumplir con todos los códigos locales correspondientes.

Si los códigos locales permiten hacer la conexión a tierra a través del cable neutro del suministro eléctrico, conecte el cable neutro blanco y el cable de conexión a tierra desnudo del horno al cable neutro blanco del suministro eléctrico.

Conexión eléctrica

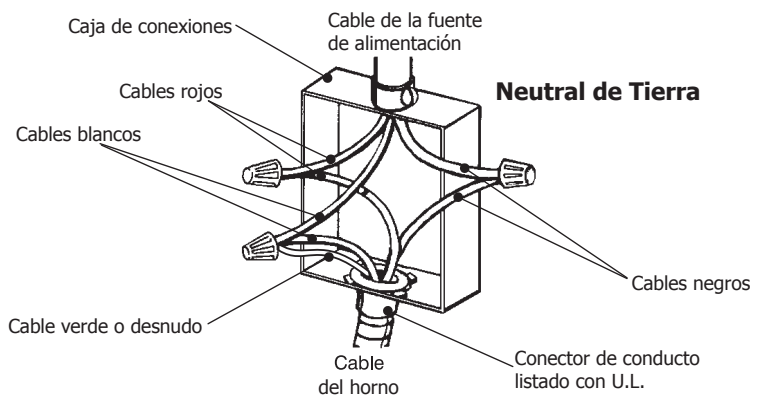
La conexión del circuito con cuatro hilos es preferible pero donde los códigos locales lo permiten, se acepta también una conexión con tres hilos.

Conexión a cuatro cables



- Conecte el cable rojo del horno al cable rojo del suministro eléctrico (cable con corriente).
- Conecte el cable negro del horno al cable negro del suministro eléctrico (cable con corriente).
- Conecte el cable neutro blanco del horno al cable neutro blanco (no el de conexión a tierra desnudo) del suministro eléctrico.
- Conecte el cable de conexión a tierra desnudo del horno al cable de conexión a tierra desnudo del suministro eléctrico.

Conexión a tres cables



- Conecte el cable rojo del horno al cable rojo en la caja de conexiones.
- Conecte el cable negro del horno al cable negro en la caja de conexiones.
- Conecte ambos cables verde y blanco del horno al cable blanco (o gris) neutral en la caja de conexiones.

El cable de conducto, donde está conectado al horno, gira. Gire el cable de conducto hacia arriba (o hacia abajo) e introdúzcalo en el orificio preparado en el gabinete para conectarlo a la caja de empalme.

Para mantener las condiciones que permitan realizar un buen servicio técnico, el conducto flexible no debe acortarse y debe enrutarse para que se pueda sacar temporalmente el horno.

Instalar el horno

Nota: Antes de instalar el horno, asegúrese de verificar las dimensiones del gabinete y las conexiones eléctricas.

Retirar la puerta del horno

Para facilitar la instalación, las puertas de algunos hornos se pueden retirar para reducir el peso del horno 30 lb (14 kg) por puerta, antes de instalarlo en el gabinete. Consulte las instrucciones que figuran a continuación.

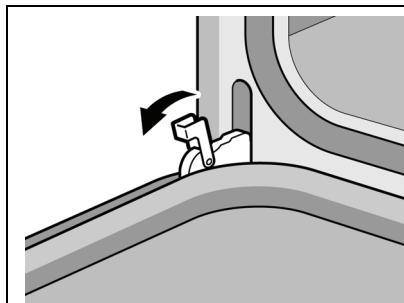


PRECAUCIÓN:

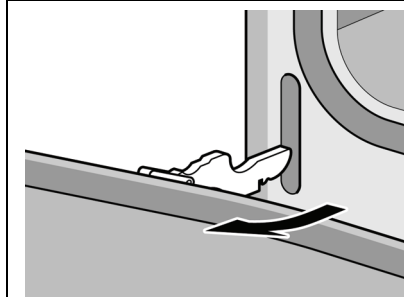
Al retirar la puerta del horno:

- Asegúrese de que el horno esté frío y de que la alimentación eléctrica esté apagada antes de retirar la puerta. No hacerlo puede ocasionar una descarga eléctrica o quemaduras.
- La puerta del horno es pesada y frágil. Use las dos manos para retirar la puerta del horno. El frente de la puerta es de vidrio. Manipúlela con cuidado para que no se rompa.
- Tome la puerta del horno solamente por los costados. No la tome del asa, porque puede deslizarse de la mano y causar daños o lesiones.
- No tomar la puerta del horno con firmeza y correctamente podría ocasionar lesiones personales o daños al producto.
- Para evitar lesiones cuando se cierra la bisagra, asegúrese de que ambas palancas estén firmemente en su lugar antes de retirar la puerta. Tampoco abra ni cierre la puerta forzándola; la bisagra se puede dañar y ocasionar lesiones.

Para retirar la puerta del horno:



1. Asegúrese de leer la PRECAUCIÓN anterior antes de intentar retirar la puerta.
2. Abra la puerta por completo.
3. Lleve las palancas de las bisagras hacia usted.



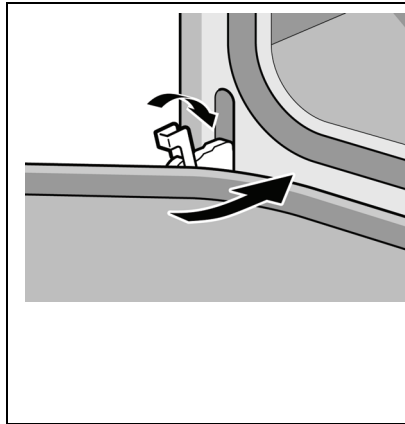
1. Cierre la puerta con cuidado hasta que se detenga. Se cerrará hasta la mitad aproximadamente.
2. Sujetando la puerta firmemente de ambos lados, con las dos manos, jale la puerta hacia arriba y sáquela de las ranuras de las bisagras. Sujétela con firmeza; la puerta es pesada.
3. Coloque la puerta en un lugar práctico y estable para limpiarla.

Instalar el horno

Para facilitar la instalación, las puertas de algunos hornos se pueden retirar para reducir el peso del horno 30 lb (14 kg) por puerta, antes de instalarlo en el gabinete. Ver la sección « Para quitar la puerta del horno » en el manual de instalación.

1. Instale el equipo hacia el lugar en que se instalará. No sujete el equipo por la palanca de la puerta.
2. Empuje el horno hacia atrás hasta que el borde quede al ras con la pared del gabinete. Tenga cuidado para no doblar el conducto flexible entre el horno y la pared trasera del gabinete. El horno debe quedar en posición recta, no torcida.
3. Instale los tornillos proporcionados a través de los agujeros preperforados del adorno. (2 tornillos para los hornos simples, 4 tornillos para los hornos dobles/combos)

Para reemplazar la puerta del horno:



1. Sujetando la puerta firmemente con las dos manos, coloque las bisagras en las ranuras de las bisagras.
2. Abra la puerta al máximo para que se vean las bisagras y las ranuras.
3. Empuje la palanca hacia abajo y aléjela de usted hasta que esté alineada con el soporte.
4. Cierre y abra la puerta despacio para asegurarse de que está correcta y firmemente colocada. La puerta debe estar derecha, no torcida.

Probar el equipo

1. Prenda la corriente en el interruptor.
2. Revise la corriente en la caja de conexiones con un voltímetro.
Para una instalación de 240V, la lectura entre los cables rojos y negros (línea a línea) debe ser 220 a 240 voltios.
Para una instalación de 208V, la lectura entre los cables rojos y negros (línea a línea) debe ser 190 a 208 voltios.
3. Verifique el modo del horno.
Seleccione el modo **BAKE** (Hornear). Consulte el manual de uso y cuidado para instrucciones detalladas de la operación.
4. Verifique el que se prendan las luces del horno y que comience a calentarse.
5. Compruebe el bloqueo de la puerta.
Seleccione el modo **SELF CLEAN** (Autolimpieza). Confirma que se bloquea la puerta cuando aparece el icono de bloqueo en la pantalla.
6. Cuando instala un doble horno, aplique la misma prueba también al otro horno.
7. Si alguna de las pruebas no resulta como se describe arriba, contacte al servicio de Thermador para recibir ayuda. De otro modo la instalación ya terminó en este momento.

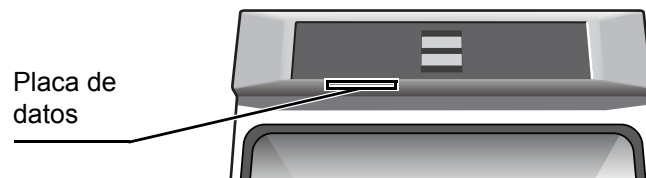
Servicio

Antes de llamar al servicio Para obtener información sobre resolución de problemas, consulte el Manual de uso y cuidado. Consulte la garantía en el Manual de uso y cuidado.

Para consultar a un representante de servicio técnico, remítase a la información de contacto que aparece en el frente del manual. Cuando llame, tenga a la mano la información impresa en la placa de datos de su producto.

Placa de datos

La placa de datos muestra el modelo y el número de serie. Al solicitar servicio técnico, consulte la placa de datos del electrodoméstico. La placa de datos se encuentra en la parte inferior del panel de control:





BOSCH
Invented for life

5551 McFadden Avenue, Huntington Beach, CA 92649 • 800-944-2904 • www.boschappliances.com
9000182532 • 5V0AND • Rev. B • 04/07 © BSH Home Appliances Corporation, 2007 • All rights reserved
Litho in USA

Free Manuals Download Website

<http://myh66.com>

<http://usermanuals.us>

<http://www.somanuals.com>

<http://www.4manuals.cc>

<http://www.manual-lib.com>

<http://www.404manual.com>

<http://www.luxmanual.com>

<http://aubethermostatmanual.com>

Golf course search by state

<http://golfingnear.com>

Email search by domain

<http://emailbydomain.com>

Auto manuals search

<http://auto.somanuals.com>

TV manuals search

<http://tv.somanuals.com>