

**GBH 2-22 S
GBH 2-22 E
GBH 2-22 RE
PROFESSIONAL**

BOSCH
Ideas that work.



Operating instructions

操作指南

操作指南

사용 설명서

หนังสือคู่มือการใช้งาน

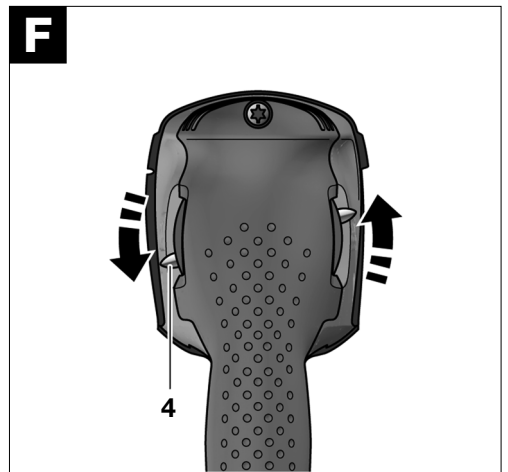
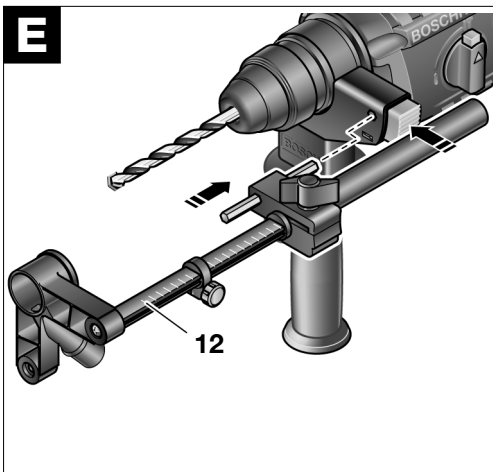
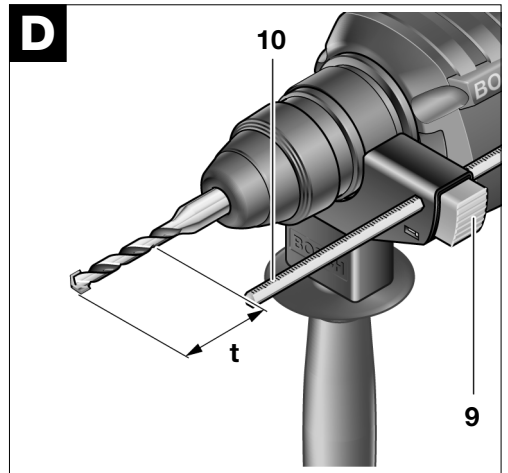
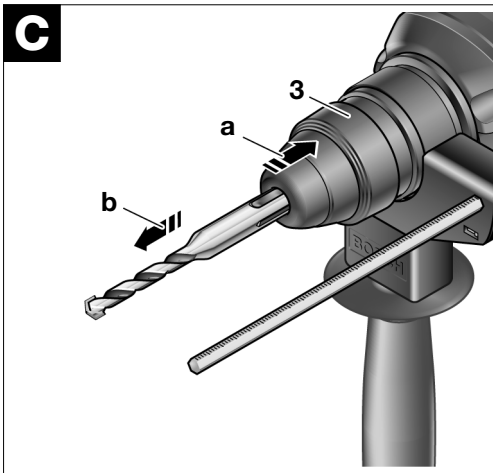
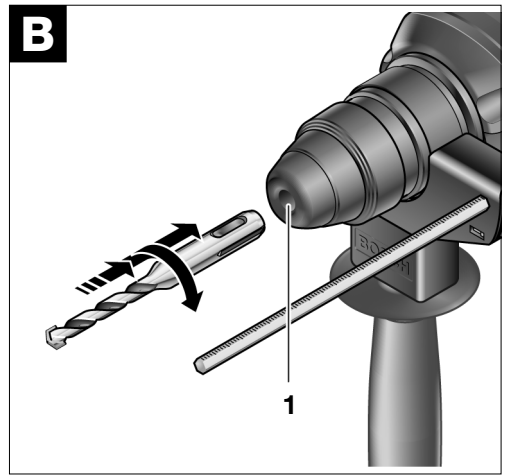
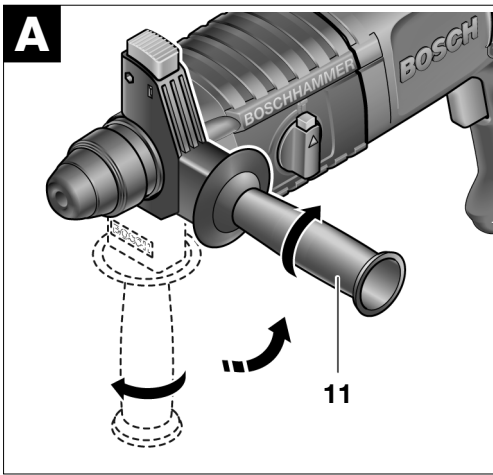
**Petunjuk-Petunjuk
untuk Penggunaan**

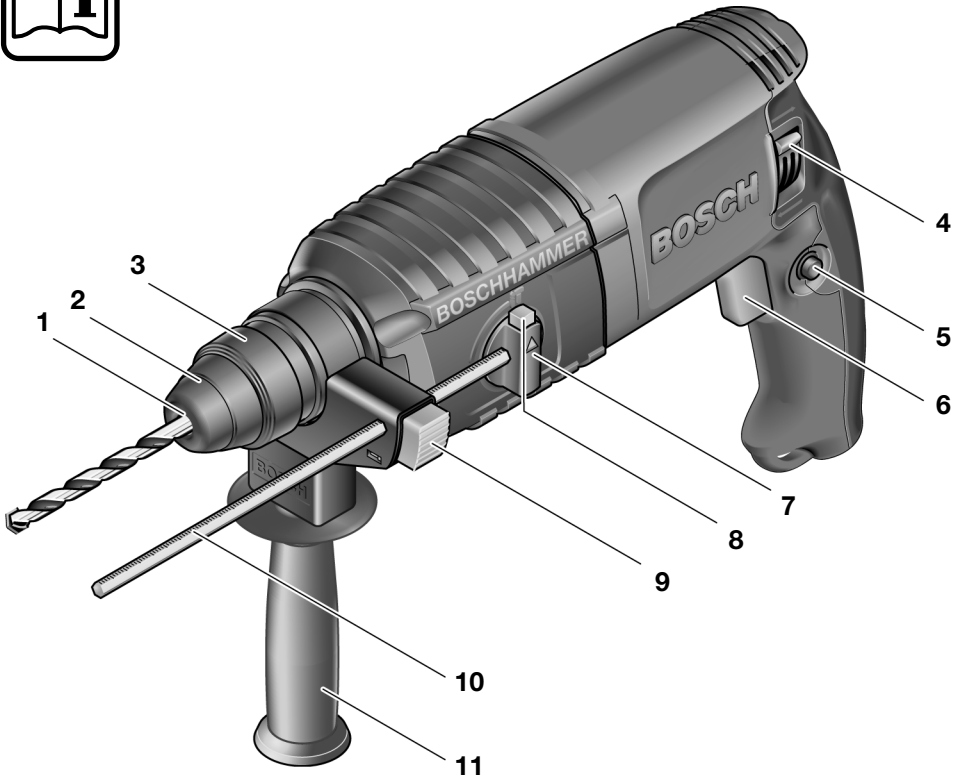
Hướng dẫn sử dụng

كراسة الاستعمال

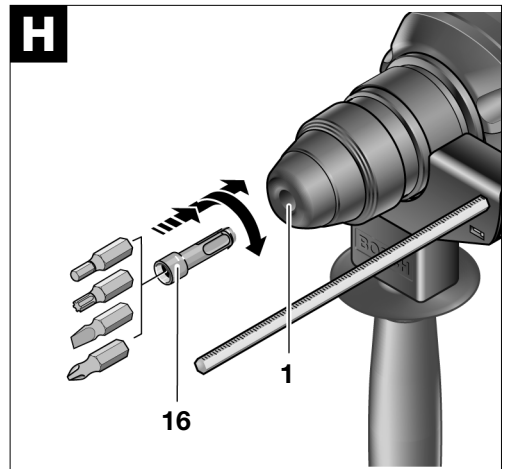
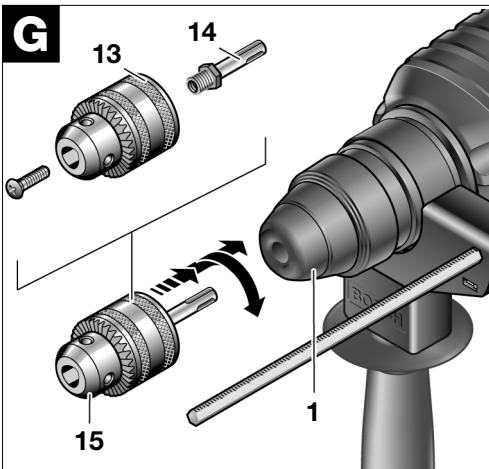
راهنمای دستگاه







**GBH 2-22 RE
PROFESSIONAL**



1 SPECIFIC SAFETY RULES

FOR DRILL HAMMERS



Working safely with this machine is possible only when the operating and safety information are read completely and the instructions contained therein are strictly followed.

In addition, the general safety notes in the enclosed booklet must be observed.

Before using for the first time, ask for a practical demonstration.



To prevent damage to hearing, wear hearing protection.

Wear safety glasses.

For long hair, wear hair protection. Work only with close-fitting clothes.

Dust produced while working can be detrimental to health, inflammable or explosive. Suitable protection measures are required.

Examples: Some dusts are considered to be carcinogenic. Use suitable dust/chip extraction and wear a dust protection mask.

Light metal dust can burn or explode. Always keep the work place clean since material mixtures are especially dangerous.

If the cable is damaged or cut through while working, do not touch the cable but immediately pull the power plug. Never use the machine with a damaged cable.

Connect machines that are used in the open via a residual current device (RCD) with an actuating current of 30 mA maximum. Do not operate the machine in rain or moisture.

Always direct the cable to the rear away from the machine.

Use suitable detectors to find hidden utility lines or call the local utility company for assistance. Contact with electric lines can lead to fire or electrical shock. Damaging a gas line can result in an explosion. Penetrating a water pipe will cause property damage or an electrical shock.

Operate the machine only with the auxiliary handle **11**.

Secure the work piece. A work piece held with clamping devices or in a vise is more secure than when held by hand.

Place the machine on the nut/screw only when switched off.

Be careful when screwing in long screws; danger of sliding off.

When working, always hold the machine firmly with both hands and provide for a secure stance.

Always switch the machine off and wait until it has come to a standstill before placing it down.

Never allow children to use the machine.

Bosch is able to ensure perfect functioning of the machine only if the original accessories intended for it are used.

Overload Clutch

If the drill bit becomes jammed or caught, the drive to the drill spindle is interrupted. Because of the forces that occur as a result, **always hold the machine securely with both hands and take a firm stance.**

2 FUNCTION

Product Specifications

| Percussion drill | GBH 2-22 S PROFESSIONAL | GBH 2-22 E PROFESSIONAL | GBH 2-22 RE PROFESSIONAL |
|---|----------------------------|----------------------------|-----------------------------|
| Order number | 0 611 250 0.. | 0 611 250 6.. | 0 611 250 7.. |
| Speed control | – | ● | ● |
| Right/Left rotation | – | – | ● |
| Rated input power [W] | 620 | 620 | 620 |
| Power output [W] | 280 | 280 | 280 |
| Impact rate [per min] | 4400 | 0 ... 4400 | 0 ... 4400 |
| Impact energy per stroke [J] | 2.2 | 2.2 | 2.2 |
| Nominal speed | | | |
| Right rotation [RPM] | 1000 | 0 ... 1000 | 0 ... 1000 |
| Left rotation [RPM] | – | – | 0 ... 1000 |
| Tool holder SDS-plus | ● | ● | ● |
| Spindle collar diameter [mm] | 43 (Euro-Standard) | 43 (Euro-Standard) | 43 (Euro-Standard) |
| Maximum drill diameter: | | | |
| Masonry (core drill) [mm] | 68 | 68 | 68 |
| Concrete [mm] | 22 | 22 | 22 |
| Wood [mm] | 30 | 30 | 30 |
| Steel [mm] | 13 | 13 | 13 |
| Weight (without accessories) approx. [kg] | 2.3 | 2.3 | 2.3 |
| Degree of protection | □ / II | □ / II | □ / II |

Please take note of the order number of your machine since the trade name of the individual machines can vary.

Noise/Vibration Information

Measured values determined according to EN 50 144.

The A-weighted noise levels of the tool are typically:

Sound pressure level: 90 dB(A);

Sound power level: 103 dB(A).

Wear ear protection!

The weighted acceleration is typically 12 m/s².

Intended Use

The machine is intended for hammer drilling in concrete, brick and stone. It is likewise suitable for drilling without impact in wood, metal, ceramic and plastic. Machines with electronic control and right/left rotation are also suitable for screw driving and thread cutting.

Product Elements

The numbering of the product elements refers to the illustration on the fold-out page.

- 1 Tool holder (SDS-plus)
- 2 Dust protection cap
- 3 Locking sleeve
- 4 Right/Left rotation switch
- 5 Locking button
- 6 On/off switch
- 7 Operating mode selection switch
- 8 Unlocking button
- 9 Button on the auxiliary handle
- 10 Depth stop
- 11 Auxiliary handle
- 12 Dust extraction attachment*
- 13 Drill chuck*
- 14 Drill chuck adapter shaft*
- 15 Assembled drill chuck*
- 16 Universal holder for screwdriver bits*

* Not all the accessories illustrated or described are included in standard delivery.

3 OPERATING INSTRUCTIONS

Before Use

Auxiliary Handle (see Fig. A)

Operate the machine only with the auxiliary handle 11.

By rotating the auxiliary handle **11** to a comfortable position, a fatigue-free and therefore safe working position can be achieved.

Loosen the auxiliary handle **11** by turning counter clockwise and swing it to the desired position. Then retighten the auxiliary handle **11** by turning in the clockwise direction.

Selection of Tools

For hammer drilling and chiseling (only with the accessory MV 200), SDS-plus tools are necessary that are inserted into the SDS drill chuck of the machine (see *SDS-Plus Tools*).

For drilling in steel or wood, driving screws and cutting threads, tools without SDS-plus (e.g., drills with cylindrical shafts) are used. For these tools, a special drill chuck is required (see *Working with Tools without SDS-Plus*).

Take care when changing tools that the dust protection cap 2 is not damaged.

SDS-plus Tools

The SDS-plus tool is designed to be freely movable. This causes eccentricity when the machine is not loaded. However, the drill automatically centers itself during operation. This does not affect drilling precision.

Inserting a SDS-Plus Tool (see Fig. B)

Clean the tool before inserting and lightly grease the insertion end.

Insert the tool with a twisting motion into the tool holder **1** until it locks.

The tool locks itself. Check the locking by pulling on the tool.

Removing SDS-Plus Tools (see Fig. C)

Pull the locking sleeve **3** to the rear (a), hold it in this position and remove the tool from the tool holder (b).

Setting the Drilling Depth (see Fig. D)

With the depth stop **10**, the maximum drilling depth **t** can be set.

Press the button **9** of the auxiliary handle and insert the depth stop into the auxiliary handle **11** so that the grooved side of the depth stop points downward.

Insert the SDS-plus tool to the stop into the tool holder **1**. Otherwise, the freedom of motion of the SDS tool can lead to an incorrect setting of the drilling depth. Pull out the depth stop so far that the distance between the drill tip and the tip of the depth stop corresponds to the desired drilling depth **t**.

Dust Extraction with the Vacuuming Attachment (Accessory)

For vacuuming dust, a dust extraction attachment (accessory) is required. While drilling, the dust extraction attachment springs back so that the vacuuming head is always held against the drilled surface.

Press the button **9** of the auxiliary handle and remove the depth stop **10**. Press the button **9** again and insert the dust extraction attachment from the front into the auxiliary handle **11** (see Fig. E).

The maximum drilling depth **t** can also be set with the dust extraction attachment mounted. For this purpose, place the machine without switching on firmly against the area to be drilled so that the drill rests on the surface. Read the value from the scale of the dust extraction attachment and add the desired drilling depth **t** to this value.

Loosen the knurled screw on the depth stop of the dust extraction attachment and slide the depth stop to the calculated value. Then retighten the knurled screw of the depth stop.

Connect a vacuum hose (19 mm Ø, accessory) to the opening of the dust extraction attachment.

The vacuum cleaner (e.g., GAS ...) must be suitable for the material to be worked.

When vacuuming dry dust that is especially detrimental to health or carcinogenic, use a special vacuum cleaner.

Putting into Operation

Always use the correct supply voltage!

The voltage of the power source must agree with the value given on the nameplate of the machine. Machines designated for 230 V can also be operated with 220 V.

Set the Operating Mode

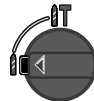
With the operating mode selector switch **7**, select the operating mode of the machine.

Change the operating mode only when the machine is switched off! Otherwise, the machine can be damaged.

To change the operating mode, press the locking button **8** and turn the operating mode selector switch **7** to the desired position until it can be heard to latch.



For hammer drilling in concrete or stone and for chiseling.



For drilling in steel or wood, for driving screws and cutting threads.

Setting the Direction of Rotation (GBH 2-22 RE)

With the right/left rotation switch **4**, the rotational direction of the machine can be changed (see Fig. **F**).

Right rotation: Turn the right/left rotation switch **4** on both sides to position **←**.

Left rotation: Turn the right/left rotation switch **4** on both sides to position **→**.

Switching On/Off

To **switch on** the machine, press the on/off switch **6**.

To **lock on**, press the on/off switch **6** and lock by pushing the locking button **5**.

To **switch off**, release the on/off switch **6**. When locked, first press the on/off switch **6** and then release.

Setting the Speed (GBH 2-22 E/GBH 2-22 RE)

By increasing or decreasing the pressure on the on/off switch **6**, the speed of the switched-on machine can be continuously regulated.

Reduced speed of the machine facilitates the starting of holes (e.g., on smooth surfaces such as tiles), prevents the slipping of the drill and the splintering of the drilled hole.

Recommended Speed Ranges:

- High speed for hammer drilling in concrete or stone as well as for chiseling
- High speed for drilling in steel
- Medium speed for drilling in wood
- Low speed for driving screws and cutting threads.

Working Instructions

Chiseling

For chiseling, a SDS-plus chiseling attachment MV 200 (accessory) is required that is placed on the tool holder.

Working with Tools without SDS-Plus

Do not use tools without SDS-plus for hammer drilling! Tools without SDS-plus and their holder (e.g., drill chuck) would be damaged by hammer drilling.

When working with tool without SDS-plus, set the operating mode selector switch **7** to position **⊥**.

Drilling

To work with tools without SDS-plus (e.g., drills with cylindrical shafts), a suitable drill chuck must be used.

Screw the SDS-plus adapter shaft **14** (accessory) into a ring-gear or quick clamping drill chuck **13** (see Fig. **G**).

Clean the adapter shaft and lightly grease the insertion end before inserting.

Insert the shaft of the assembled drill chuck **15** with a twisting motion into the tool holder **1** until it can be heard to lock (see Fig. **G**).

The adapter shaft locks itself. Check the locking by pulling on the drill chuck.

To remove the drill chuck **15**, pull the locking sleeve **3** to the rear, hold in this position and remove the drill chuck from the tool holder.

Screw driving

To use screwdriver bits, a universal holder with SDS-plus shaft **16** (accessory) is required.

Clean the adapter shaft and lightly grease the insertion end before inserting.

Insert the universal holder **16** with a twisting motion into the tool holder **1** until it locks (see Fig. **H**).

The universal holder locks itself. Check the locking by pulling on the universal holder.

Insert a screwdriver bit into the universal holder.

To remove the universal holder **16**, pull the locking sleeve **3** to the rear, hold it in this position and remove the universal holder from the tool holder.

4 MAINTENANCE AND SERVICE

Maintenance

Before any work on the machine itself, pull the power plug.

For safe and efficient working, always keep the machine and the ventilation slots clean.

Clean the tool holder after each use.

Replacing the Dust Cap

Replace the dust protection cap **2** without delay if it is damaged. A damaged dust protection cap can allow dust to penetrate into the tool holder and lead to malfunctions.

Have the replacement of the dust protection cap performed by a customer service agent.

Should the tool fail in spite of careful manufacturing and testing procedures, have the repairs performed by an authorized customer service location for Bosch electro-tools.

For inquiries and spare parts ordering, please include the 10-digit order number on the nameplate of the tool.

Service

In case of a claim, repair or purchase of replacement parts as well as in case of queries or other problems, please contact your local dealer or Bosch representative.

People's Republic of China

Shanghai

C. Melchers Ltd.
13/FI, East Ocean Centre
588 Yan 'an Road (East)
Shanghai 200001
☎ +86 (0)21/635 28848
Fax +86 (0)21/635 13138

Guangzhou

C. Melchers Ltd.
Room 1108, T.P. Plaza
9/109 Liu Hua Road
Guangzhou 510010
☎ +86 (0)20/866 68700
Fax +86 (0)21/866 77845

Beijing

C. Melchers Ltd.
Beijing Representatives
Room 503-504 Beijing Tower
No. 10 Chang 'an Avenue (East)
Beijing 100006
☎ +86 (0)10/6525 7775
Fax +86 (0)10/6512 3505

Hongkong

C. Melchers Ltd.
1210 Shun Tak Centre, West-Tower
200 Connaught Road, Central
Hongkong
☎ +852 25/469069
Fax +852 25/487914
www.bosch.com.cn

Indonesia

P. T. Multi Tehaka
Karang Anyar Permai Block B-24
Jl. Karang Anyar No. 55
Jakarta Pusat 10740
Indonesia
☎ +62 (0)21/659 5222 (5 lines)
Fax +62 (0)21/659 5252 - 3
sales@bosch.co.id
www.bosch.co.id

Philippines

Robert Bosch, Inc.
Zuellig Building
Sen. Gil Puyat Avenue
Makati City 1200, Metro Manila
Philippines
☎ +63 (0)2/817 3231
www.bosch.com.ph

Malaysia

Robert Bosch (SEA.) Pte. Ltd.
No. 8a, Jalan 13/6
Selangor Darul Ehsan
Petaling Jaya 46200, Malaysia
☎ +60 (0)3/7958 3000
Fax (EW Dept.) +60 (0)3/7958 3838
www.bosch.com.sg

Thailand

Robert Bosch Ltd.
Liberty Square Building
No. 287, 11 Floor
Silom Road, Bangrak
Bangkok 10500
☎ +66 (0)2/631 1879-1888 (10 lines)
Fax +66 (0)2/238 4783
Robert Bosch Ltd., P. O. Box 2054
Bangkok 10501, Thailand
Bosch Service – Training Centre
2869-2869/1 Soi Ban Kluay
Rama IV Road (near old Paknam Railway)
Prakanong District
10110 Bangkok, Thailand
☎ +66 (0)2/671 7800-4
Fax +66 (0)2/249 4296
Fax +66 (0)2/249 5299

Singapore

Robert Bosch (SEA.) Pte. Ltd.
38 C Jalan Pemimpin
Singapore 915701, Republic of Singapore
☎ +65 350-5494
Fax +65 350-5327
www.bosch.com.sg

Vietnam

Ho Chi Minh City
Robert Bosch (SEA) Pte Ltd
Resident Representative Office HCMC
Tacasin Business Centre, 2nd Floor
243-243B Hoang Van Thu P.1
Tan Binh District, Vietnam
☎ +84 8/847 87 64
Fax +84 8/847 83 28

Australia

Robert Bosch Australia L.t.d.
RBAU/SPT2
1555 Centre Road
P.O. Box 66 Clayton
AUS-3168 Clayton/Victoria
☎ 1 800 804 777
Fax 1 800 819 520
CustomerSupportSPT@au.bosch.com
www.bosch.com.au

Disposal

Tool, accessories and packaging should be sorted for environment-friendly recycling.

These instructions are printed on recycled paper manufactured without chlorine.

The plastic components are labeled for categorized recycling.

Specifications subject to change without notice.

1 针对机器之安全指示

针对锤钻



唯有详细阅读使用手册及安全指示，并确实依照指示操作机器，才可确保您的工作安全。另外也必须确实遵循附带手册上的一般性安全指示。首次使用之前，先请专人实际示范操作。



请戴上耳罩以免听力受损。

请戴上护目镜。

蓄长发者必须在工作时戴上发罩。工作时必须穿著合适贴身之工作服。

工作时产生之废尘可能具有易燃性，爆炸性或有害健康。故操作机器时必须采行相关之保护措施。

例如加工某些特定材料所产生之尘埃有致癌之危险，因此作业时必须安装有关之合格吸尘装置并配戴防尘面罩。

轻金属尘容易著火或引起爆炸。工作场所必须经常保持清洁，因为不同之工作尘混合后容易产生化学反应，十分危险。

如果电源电线在工作中受损或断裂，勿触摸电线，马上拔出插头。勿使用电线受损之机器。

在户外使用机器时，请用有最大 30 mA 释放电流的剩余电流操作装置。不可在雨中或潮湿的场所使用本机器。

工作时请将电线放置於机器的后端。

使用合适的侦测机器，以便找出隐藏管线的位置。或者也可以就地向有关单位索取相关资料。钻透电线会引起火灾并遭受电击。损坏瓦斯管会引起爆炸。如果水管受损不仅会导致相当大的财物损失，甚至还有触电的危险。

操作机器时务必使用辅助把手 11。

固定好工件。使用固定装置或老虎钳能够更安全、稳固地夹牢工件。

将机器套入螺母 / 螺丝之前，先检查是否已经关闭机器。

转入长螺杆时必须分外小心，长螺杆容易折断。

工作时须以双手握紧机器，并确保立足稳固。

工作告一段落时必须先关闭机器，并等待机器完全静止之后才可放下机器。

勿让儿童操作本机器。

请使用机器之原厂配件，唯有如此 Bosch 才能向您提供功能保证。

超荷离合装置

如果钻头卡住了，传向心轴的动力会自动中断。此时会产生非常大的震动力，因此操作机器时务必要以双手握好机身，并且要确保立足稳固。

2 功能解说

机器规格

| 电动锤钻 | GBH 2-22 S PROFESSIONAL | GBH 2-22 E PROFESSIONAL | GBH 2-22 RE PROFESSIONAL |
|----------------|----------------------------|----------------------------|-----------------------------|
| 订购号码 | 0 611 250 0.. | 0 611 250 6.. | 0 611 250 7.. |
| 转速控制装置 | — | ● | ● |
| 正 / 逆转开关 | — | — | ● |
| 输入功率 [瓦] | 620 | 620 | 620 |
| 输出功率 [瓦] | 280 | 280 | 280 |
| 敲击次数 [次 / 分] | 4400 | 0 ... 4400 | 0 ... 4400 |
| 单一-敲击强度 [焦耳] | 2,2 | 2,2 | 2,2 |
| 额定转速 | | | |
| 正转 [次 / 分] | 1000 | 0 ... 1000 | 0 ... 1000 |
| 逆转 [次 / 分] | — | — | 0 ... 1000 |
| 夹头 SDS-plus | ● | ● | ● |
| 主轴颈直径 [毫米] | 43 (欧洲标准) | 43 (欧洲标准) | 43 (欧洲标准) |
| 钻孔直径 (最大): | | | |
| 砖墙 (空心钻头) [毫米] | 68 | 68 | 68 |
| 混凝土 [毫米] | 22 | 22 | 22 |
| 木材 [毫米] | 30 | 30 | 30 |
| 钢 [毫米] | 13 | 13 | 13 |
| 重量 (不含配件) [千克] | 2,3 | 2,3 | 2,3 |
| 绝缘等级 | 回 / II | 回 / II | 回 / II |

请记住机器的订购号码，因为机器在销售市场上没有统一的商品名称。

噪音 / 振动值

以下的噪音值乃根据 EN 50 144 的规定所测得。

本机器的噪音分贝 A 值为:

音压值 90 dB(A);

音量值 103 dB(A)。

请配戴耳罩!

加速度值为 12 米 / 秒²。

正确地使用机器

本机器可在混凝土，砖墙及石材上进行震动钻作业。另外也可以使用本机器在木材，金属，陶质材料及塑胶上钻孔（无震动功能之正常钻）。配备了电子调节装置及正 / 逆转开关之机器，也可转入 / 转出螺丝或钻螺纹。

机件

各机件解说之前都列有号码，此号码乃与折叠页上机器图之编号一致。

- 1 夹头 (SDS-plus)
- 2 防尘套管
- 3 锁紧套筒
- 4 正 - 逆转开关
- 5 锁定钮
- 6 起停开关
- 7 功能选换开关
- 8 解锁钮
- 9 辅助把手按键
- 10 深度尺
- 11 辅助把手
- 12 吸气管架 *
- 13 钻头夹头 *
- 14 四沟接杆 *
- 15 安装完毕的夹头 *
- 16 针对螺丝起子头的通用连杆 *

* 一般情况下交付的货品，不一定附有图示或说文中提及的附件。

3 操作

正式操作之前

辅助把手 (参考插图 A)

操作机器时务必使用辅助把手 11。

可以根据需要移动辅助把手 11 的位置, 以确保工作安全和提高工作的舒适性。

朝著逆时针转向转松辅助把手 11, 接著再将把手转动到需要的位置。设定好后再朝著顺时针转向收紧把手 11。

选用工具

进行震动钻与凿击 (务必使用配件 MV 200) 时一定要使用 SDS-plus 工具, 因为此时必须把工具安装在 SDS 夹头上 (参考 "SDS-plus 工具")。

在钢材或木材上钻孔时, 进行旋转螺丝或钻螺纹时则要使用无 SDS-plus 的钻头 (例如带圆柱柄的钻头), 此类钻头必须和特殊的夹头配合使用 (参考 "使用无 SDS-plus 钻头作业")。

更换工具时要小心, 不要损坏了防尘套管 2。

SDS-plus 钻头

由於系统设计上的缘故, SDS-plus 工具能自由转动。因此在不负载状态下, 工具会作偏心旋转。只要一开始钻孔, 工具即会自动定心。因此上述现象并不会影响钻孔之准确度。

安装 SDS-plus 工具 (参考插图 B)

安装工具之前必须先清洁工具, 而且要在插柄上抹少许润滑脂。

把工具转入工具夹头 1 中至工具确实卡住为止。

此时工具会自动锁定, 但是仍要抽拉工具检查是否已经正确锁牢。

拆卸 SDS-plus 工具 (参考插图 C)

向后插拉锁紧套筒 3 (a), 握紧套筒并同时从工具夹头中取出工具 (b)。

调整钻孔深度 (参考插图 D)

使用深度尺 10 可以设定钻孔深度 t。

按住辅助把手上的按键 9, 接著把深度尺插入辅助把手 11 中, 有助纹槽的一面必须朝下。

把 SDS-plus 工具推入工具夹头 1 中至无法继续推入为止。如果未将 SDS 工具推到底, 可能会影响设定深度的准确性。

向外抽拉深度尺, 让钻头尖端与深度尺尖端之间的距离与需要的钻孔深度 t 一致。

使用吸气管架吸尘 (配件)

可以使用吸气管架 (配件) 吸集工作中产生的粉尘。钻孔时吸气管架会向后收缩, 所以吸气管架的头总是会紧贴著加工材料表面。

按住辅助把手上的按键 9 接著拔出深度尺 10, 再度按住按键 9, 并且把吸气管架从机器前端插入辅助把手 11 中 (参考插图 E)。

装上吸气管架之后也可以设定机器的钻孔深度。首先把钻头紧紧地顶在加工材料的表面 (尚且不可开动机器), 接著记下此时吸气管架深度尺上的刻度, 下一个步骤便是把需要得钻孔深度 t 加上此时吸气管架深度尺上的刻度。

转松吸气管架深度尺上的螺丝, 接著把深度尺推移到运算好的刻度值上, 再度收紧深度尺上的螺丝。

在吸气管架的排尘孔安装吸尘软管 (直径 19 毫米, 配件)。

必须根据加工材料选择合适的吸尘器 (例如 GAS...)。使用特殊的吸尘装置吸集可能致癌的乾燥粉尘。

机器之操作

注意电源电压!

电源的电压必须与机器型牌上所提供的规格一致。标明 230 V 的机器也可以连接 220 V 的电压。

设定操作功能

使用功能切换开关 7, 可以选择不同的操作功能。

必须先关闭机器之后才能够切换功能! 否则会损坏机器。

变换功能时先按下解锁钮 8, 接著转动功能切换开关 7 (变换功能时必须能够清楚地听到开关的咬合声响) 以选择适合的操作功能。




在混凝土或石头上进行震动钻以及进行凿击




在钢材或木材上钻孔, 旋转螺丝以及钻螺纹

调整机器之转向 (GBH 2-22 RE)

使用正逆转开关 **4** 可以改变钻头的旋转方向 (参考插图 **F**)。

正转: 把正逆转开关 **4** 调整在此符号上 。

逆转: 把正逆转开关 **4** 调整在此符号上 。

起停开关

开动机器, 按住起停开关 **6**。

锁定起停开关, 先按住起停开关 **6** 然后再使用锁定钮 **5** 固定开关。

关闭机器, 放开起停开关 **6**。如果起停开关 **6** 被锁定了, 则需先按下开关然后再松开。

调整转速 (GBH 2-22 E/GBH 2-22 RE)

随著在起停开关 **6** 上加压或减压, 可以无段式地提高或降低转速。

低段转速可以帮助机器起钻 (例如在瓷砖等平滑的表面上起钻), 不仅可以防止钻头走滑, 也可以防止钻孔破裂。

建议性的转速设定:

- 高转速, 适用于在混凝土或石头上进行震动钻以及进行凿击时
- 高转速, 适用于在钢材上钻孔时
- 中转速, 适用于在木材上钻孔时
- 低转速, 适用于旋转螺丝和钻螺纹时

操作时之注意事项

凿击

进行凿击时必须在工具夹头安装 SDS-plus 凿刀辅助安装零件 MV 200 (配件)。

使用无 SDS-plus 的钻头作业

进行震动钻时不可以使用无 SDS-plus 的钻头! 如果使用无 SDS-plus 的钻头进行震动钻会损坏钻头和机器夹头。

使用无 SDS-plus 的钻头作业时, 必须把功能选择开关 **7** 调整在此符号上 。

钻孔

必须先先在机器上安装合适的夹头之后, 才能使用无 SDS-plus 的钻头 (例如有圆柱柄的钻头) 作业。

把 SDS-plus 四沟接杆 **14** (配件) 转入齿环夹头或快速夹头 **13** 中 (参考插图 **G**)。

安装之前必须先清洁四沟接杆, 而且要在插入端抹少许润滑油。

把已经装上了四沟接杆的辅助夹头 **15** 转入工具夹头 **1** 中至正确卡牢为止 (参考插图 **G**)。

此时四沟接杆会被锁定, 但是仍要抽拉辅助夹头, 检查是否已经正确锁牢。

拆卸辅助夹头 **15** 时, 要先把锁紧套筒 **3** 向后抽拉并将它握紧, 然后再从工具夹头上取出辅助夹头。

转入螺丝

使用螺丝起子头之前, 必须先安装有 SDS-plus 柄的通用连杆 **16** (配件)。

安装之前必须先清洁四沟接杆, 而且要在插入端抹少许润滑油。

把通用连杆 **16** 转入工具夹头 **1** 中至连杆卡牢了为止 (参考插图 **H**)。

此时通用连杆会自动锁定, 但是仍要抽拉通用连杆, 检查是否已经正确锁牢。

把螺丝起子头装入通用连杆中。

拆卸通用连杆 **16** 时, 先把锁紧套筒 **3** 向后抽拉并握紧套筒, 接著再从工具夹头上取出通用连杆。

4 维护与服务

维护

对机器做任何换修的工作之前, 一定要先拔出插头。

机器及通气孔必须经常保持清洁, 以提高工作品质与工作安全。

每次使用机器之后都要清洁工具夹头。

更换防尘套管

如果防尘套管 **2** 损坏了必须马上更换。如果继续使用已经损坏的防尘套管, 可能会让灰尘渗入工具夹头中进而影响运作。

更换防尘套管的工作必须交给顾客维修中心执行。

虽然本公司所生产的机器都经过严密的品质检查, 但如仍有故障, 可将机器送交 Bosch 电动工具公司授权的顾客服务处修理。

查询及订购零、配件时, 务必提供标示在机器型牌上之 10 位数订购号码。

服务

有关保证, 维修或更换零件事宜, 请向合格的分销查询。

请见附页

中国 北京

美最时洋行

中国北京东长安街 10 号长安大厦

503-504 房间

电话: +86 (0)10/6525 7775

传真: +86 (0)10/6512 3505

邮政编码: 100006

上海

美最时洋行

中国上海延安东路 588 号

东海商业中心 13 楼

电话: +86 (0)21/635 28848

传真: +86 (0)21/635 13138

邮政编码: 200001

广州

美最时洋行

中国广州流花路 109 号之 9

达宝广场 1108 室

电话: +86 (0)20/8666 8700

传真: +86 (0)20/8667 7845

邮政编码: 510010

香港

美最时 (香港) 有限公司

香港中环干诺道中 200 号信德中心 1210 室

电话: +852 2546 9069

传真: +852 2548 7914

www.bosch.com.cn

马来西亚

罗柏博世 (东南亚) 私人有限公司

马来西亚雪兰莪八打灵再也

13 区 6 路 8 号 A 邮区 46200

电话: 总机 +60 (0)3/7958 3000

传真: +60 (0)3/7958 3838 (电动工具部)

www.bosch.com.sg

新加坡

新加坡 罗柏博世 (东南亚)

私人有限公司

38 C 号

惹兰柏民宾

新加坡 915701

电话: +65 350 5494

传真: +65 350 5327

www.bosch.com.sg

处理废弃物

为了响应环保, 对于坏损的机器, 配件及包装材料必须详细加以分类处理, 以利回收。

本说明书是由不含氯的再生纸印制而成。

为了助于分类回收, 各塑胶部位都做有标号。

保留修改权

1 針對機器之安全指示

針對鏈鑽



唯有詳細閱讀使用手冊及安全指示，並確實依照指示來操作機器，才可確保您的工作安全。

另外也必須確實遵循附帶手冊上的一般性安全指示。

首次使用之前，先請專人實際示範操作。



請戴上耳罩以免聽力受損。

請戴上護目鏡。

蓄長髮者必須在工作時戴上髮罩。工作時必須穿著合適貼身之工作服。

工作時產生之廢塵可能具有易燃性，爆炸性或有害健康。故操作機器時必須採行相關之保護措施。

例如加工某些特定材料所產生之塵埃有致癌之危險，因此作業時必須安裝有關之合格吸塵裝置並配戴防塵面罩。

輕金屬塵容易著火或引起爆炸。工作場所必須經常保持清潔，因為不同之工作塵混合後容易產生化學反應，十分危險。

如果電源電線在工作中受損或斷裂，勿觸摸電線，馬上拔出插頭。勿使用電線受損之機器。

在戶外使用機器時，請用有最大 30 mA 釋放電流的剩餘電流操作裝置。不可以雨中或潮濕的場所使用本機器。

工作時請將電線放置於機器的後端。

使用合適的偵測機器，以便找出隱藏管線的位置。或者也可以就地向有關單位索取相關資料。鑽透電線會引起火災並遭受電擊。損壞瓦斯管會引起爆炸。如果水管受損不僅會導致相當大的財物損失，甚至還有觸電的危險。

操作機器時務必使用輔助把手 **11**。

固定好工件。使用固定裝置或老虎鉗能夠更安全、穩固地夾牢工件。

將機器套入螺母/螺絲之前，先檢查是否已經關閉機器。

轉入長螺桿時必須分外小心，長螺桿容易折斷。

工作時須以雙手握緊機器，並要確保立足穩固。

工作告一段落時必須先關閉機器，並等待機器完全停止之後才可放下機器。

勿讓兒童操作本機器。

請使用機器之原廠配件，唯有如此Bosch才能向您提供功能保證。

超荷離合裝置

如果鑽頭卡住了，傳向心軸的動力會自動中斷。此時會產生非常大的震動力，因此操作機器時務必要以雙手握好機身，並且要確保立足穩固。

2 功能解說

機器規格

| 電動鏈鑽 | GBH 2-22 S PROFESSIONAL | GBH 2-22 E PROFESSIONAL | GBH 2-22 RE PROFESSIONAL |
|----------------|----------------------------|----------------------------|-----------------------------|
| 訂購號碼 | 0 611 250 0.. | 0 611 250 6.. | 0 611 250 7.. |
| 轉速控制裝置 | – | ● | ● |
| 正/逆轉開 | – | – | ● |
| 輸入功率 [瓦] | 620 | 620 | 620 |
| 輸出功率 [瓦] | 280 | 280 | 280 |
| 敲擊次數 [次/分] | 4400 | 0 ... 4400 | 0 ... 4400 |
| 單一敲擊強度 [焦耳] | 2,2 | 2,2 | 2,2 |
| 額定轉速 | | | |
| 正轉 [次/分] | 1000 | 0 ... 1000 | 0 ... 1000 |
| 逆轉 [次/分] | – | – | 0 ... 1000 |
| 夾頭 SDS-plus | ● | ● | ● |
| 主軸頸直徑 [毫米] | 43 (歐洲標準) | 43 (歐洲標準) | 43 (歐洲標準) |
| 鑽孔直徑 (最大) : | | | |
| 磚牆 (空心鑽頭) [毫米] | 68 | 68 | 68 |
| 混凝土 [毫米] | 22 | 22 | 22 |
| 木材 [毫米] | 30 | 30 | 30 |
| 鋼 [毫米] | 13 | 13 | 13 |
| 重量 (不含配件) [千克] | 2,3 | 2,3 | 2,3 |
| 絕緣等級 | □ / II | □ / II | □ / II |

請記住機器的訂購號碼，因為機器在銷售市場上沒有統一的商品名稱。

噪音 / 振動值

以下的噪音值乃根據 EN 50 144 的規定所測得。

本機器的噪音分貝A值為：

音壓值 90 dB(A)；

音量值 103 dB(A)。

請配戴耳罩！

加速度值為 12米 / 秒²。

正確地使用機器

本機器可在混凝土，磚牆及石材上進行震動鑽作業。另外也可以使用本機器在木材，金屬，陶質材料及塑膠上鑽孔（無震動功能之正常鑽）。

配備了電子調節裝置及正/逆轉開關之機，也可轉入/轉出螺絲或鑽螺紋

機件

各機件解說之前都列有號碼，此號碼乃與折疊頁上機器圖之編號一致。

- 1 夾頭 (SDS-plus)
- 2 防塵套管
- 3 鎖緊套筒
- 4 正 - 逆轉開關
- 5 鎖定鈕
- 6 起停開關
- 7 功能選換開關
- 8 解鎖鈕
- 9 輔助把手按鍵
- 10 深度尺
- 11 輔助把手
- 12 吸氣管架 *
- 13 鑽頭夾頭 *
- 14 四溝接桿 *
- 15 安裝完畢的夾頭 *
- 16 針對螺絲起子頭的通用連桿 *

* 一般情況下交付的貨品，不一定附有圖示或說文中提及的附件。

3 操作

正式操作之前

輔助把手 (參考插圖 A)

操作機器時務必使用輔助把手 11。

可以根據需要移動輔助把手 11 的位置，以確保工作安全和提高工作的舒適性。

朝著逆時針轉向轉鬆輔助把手 11，接著再將把手轉動到需要的位置。設定好後再朝著順時針轉向收緊把手 11。

選用工具

進行震動鑽與鑿擊 (務必使用配件 MV 200) 時一定要使用 SDS-plus 工具，因為此時必須把工具安裝在 SDS 夾頭上 (參考 "SDS-plus 工具")。

在鋼材或木材上鑽孔時，進行旋轉螺絲或鑽螺紋時則要使用無 SDS-plus 的鑽頭 (例如帶圓柱柄的鑽頭)，此類鑽頭必須和特殊的夾頭配合使用 (參考 "使用無 SDS-plus 鑽頭作業")。

更換工具時要小心，不要損壞了防塵套管 2。

SDS-plus 鑽頭

由於系統設計上的緣故，SDS-plus 工具能自由轉動。因此在不負載狀態下，工具會作偏心旋轉。只要一開始鑽孔，工具即會自動定心。因此上述現象並不會影響鑽孔之準確度。

安裝 SDS-plus 工具 (參考插圖 B)

安裝工具之前必須先清潔工具，而且要在插柄上塗抹少許潤滑脂。

把工具轉入工具夾頭 1 中至工具確實卡住為止。

此時工具會自動鎖定，但是仍要抽拉工具檢查是否已經正確鎖牢。

拆卸 SDS-plus 工具 (參考插圖 C)

向後抽拉鎖緊套筒 3 (a)，握緊套筒並同時從工具夾頭中取出工具 (b)。

調整鑽孔深度 (參考插圖 D)

使用深度尺 10 可以設定鑽孔深度 t。

按住輔助把手上的按鍵 9，接著把深度尺插入輔助把手 11 中，有肋紋槽的一面必須朝下。

把 SDS-plus 工具推入工具夾頭 1 中至無法繼續推入為止。如果未將 SDS 工具推到底，可能會影響設定深度的準確性。

向外抽拉深度尺，讓鑽頭尖端與深度尺尖端之間的距離與需要的鑽孔深度 t 一致。

使用吸氣管架吸塵 (配件)

可以使用吸氣管架 (配件) 吸集中產生的廢塵。鑽孔時吸氣管架會向後收縮，所以吸氣管架的頭總是會緊貼著加工材料表面。

按住輔助把手上的按鍵 9 接著拔出深度尺 10。再度按住按鍵 9，並且把吸氣管架從機器前端插入輔助把手 11 中 (參考插圖 E)。

裝上吸氣管架之後也可以設定機器的鑽孔深度。首先把鑽頭緊緊地頂在加工材料的表面 (尚且不可開動機器)，接著記下此時吸氣管架深度尺上的刻度，下一個步驟便是把需要得鑽孔深度 t 加上此時吸氣管架深度尺上的刻度。

轉鬆吸氣管架深度尺上的螺絲，接著把深度尺推移到運算好的刻度值上，再度收緊深度尺上的螺絲。

在吸氣管架的排塵孔安裝吸塵軟管 (直徑 19 毫米，配件)。

必須根據加工材料選擇合適的吸塵器 (例如 GAS...)。使用特殊的吸塵裝置吸集可能致癌的乾燥廢塵。

機器之操作

注意電源電壓！

電源的電壓必須與機器型牌上所提供的規格一致。標明 230 V 的機器也可以連接 220 V 的電壓。

設定操作功能

使用功能選換開關 7，可以選擇不同的操作功能。

必須先關閉機器之後才能夠選換功能！否則會損壞機器。

變換功能時先按下解鎖鈕 8，接著轉動功能選換開關 7 (轉換功能時必須能夠清楚地聽到開關的咬合聲響) 以選擇適合的操作功能。



在混凝土或石頭上進行震動鑽以及進行鑿擊



在鋼材或木材上鑽孔，旋轉螺絲以及鑽螺紋

調整機器之轉向 (GBH 2-22 RE)

使用正逆轉開關 4 可以改變鑽頭的旋轉方向 (參考插圖 F)。

正轉：把正逆轉開關 4 調整在此符號上 ←。

逆轉：把正逆轉開關 4 調整在此符號上 →。

起停開關

開動機器，按住起停開關 6。

鎖定起停開關，先按住起停開關 6 然後再使用鎖定鈕 5 固定開關。

關閉機器，放開起停開關 6。如果起停開關 6 被鎖定了，則需先按下開關然後再放鬆開關。

調整轉速 (GBH 2-22 E/GBH 2-22 RE)

隨著在起停開關 **6** 上加壓或減壓，可以無段式地提高或降低轉速。

低段轉速可以幫助機器起鑽（例如在瓷磚等平滑的表面上起鑽），不僅可以防止鑽頭走滑，也可以防止鑽孔破裂。

建議性的轉速設定：

- 高轉速，適用於在混凝土或石頭上進行震動鑽以及進行鑿擊時
- 高轉速，適用於在鋼材上鑽孔時
- 中轉速，適用於在木材上鑽孔時
- 低轉速，適用於旋轉螺絲和鑽螺紋時

操作時之注意事項

鑿擊

進行鑿擊時必須在工具夾頭安裝 SDS-plus 鑿刀輔助安裝零件 MV 200（配件）。

使用無 SDS-plus 的鑽頭作業

進行震動鑽時不可以使用無 SDS-plus 的鑽頭！ 如果使用無 SDS-plus 的鑽頭進行震動鑽會損壞鑽頭和機器夾頭。

使用無 SDS-plus 的鑽頭作業時，必須把功能選換開關 **7** 調整在此符號上 β 。

鑽孔

必須先在機器上安裝合適的夾頭之後，才能使用無 SDS-plus 的鑽頭（例如有圓柱柄的鑽頭）作業。

把 SDS-plus 四溝接桿 **14**（配件）轉入齒環夾頭或快速夾頭 **13** 中（參考插圖 **G**）。

安裝之前必須先清潔四溝接桿，而且要在插入端塗抹少許潤滑脂。

把已經裝上了四溝接桿的輔助夾頭 **15** 轉入工具夾頭 **1** 中至正確卡牢為止（參考插圖 **G**）。

此時四溝接桿會被鎖定，但是仍要抽拉輔助夾頭，檢查是否已經正確鎖牢。

拆卸輔助夾頭 **15** 時，要先把鎖緊套筒 **3** 向後抽拉並將它握緊，然後再從工具夾頭上取出輔助夾頭。

轉入螺絲

使用螺絲起子頭之前，必須先安裝有 SDS-plus 柄的通用連桿 **16**（配件）。

安裝之前必須先清潔四溝接桿，而且要在插入端塗抹少許潤滑脂。

把通用連桿 **16** 轉入工具夾頭 **1** 中至連桿卡牢了為止（參考插圖 **H**）。

此時通用連桿會自動鎖定，但是仍要抽拉通用連桿，檢查是否已經正確鎖牢。

把螺絲起子頭裝入通用連桿中。

拆卸通用連桿 **16** 時，先把鎖緊套筒 **3** 向後抽拉並握緊套筒，接著再從工具夾頭上取出通用連桿。

4 維護與服務

維護

對機器做任何換修的工作之前，一定要先拔出插頭。機器及通氣孔必須經常保持清潔，以提高工作品質與工作安全。

每次使用機器之後都要清潔工具夾頭。

更換防塵套管

如果防塵套管 **2** 損壞了必須馬上更換。如果繼續使用已經壞損的防塵套管，可能會讓灰塵滲入工具夾頭中進而影響運作。

更換防塵套管的工作必須交給顧客維修中心執行。

雖然本公司所生產的機器都經過嚴密的品質檢查，但仍如有缺障，可將機器送交 Bosch 電動工具公司授權的顧客服務處修理。

查問及訂購零、配件時，務必提供標示在機器型牌上之 10 位數訂購號碼。

服務

有關保證，維修或更換零件事宜，請向合資格的分銷商查詢。

台灣

德商美最時貿易股份有限公司

台灣分公司

台北市 10454 林森北路 380 號金石大樓 9 樓

電話：..... +886 2/2551 3264-9

傳真：..... +886 2/2551 3260

E-Mail: boschinfo@melchers.com.tw

處理廢棄物

為了響應環保，對於壞損的機器，配件及包裝材料必須詳細加以分類處理，以利回收。

本說明書是由不含氯的再生紙印製而成。

為了助於分類回收，各塑膠部位都做有標號。

保留修改權

1 기기 특유의 안전수칙

헤머 드릴용



안전한 작업을 하기 위해서는 사용 설명서와 안전 사항을 상세히 읽고 명시된 지시 사항을 반드시 지켜야 합니다.

또한 별도로 첨부된 자료에 나와 있는 일반 안전 지시 사항을 준수해야 합니다. 처음 사용하기 전에 사용법을 실제로 보여 주도록 판매점에 요구하십시오.



청각장애를 예방하기 위해 귀마개를 착용해야 합니다.

보호안경을 착용하십시오.

머리가 긴 경우 머리망을 착용하십시오. 몸에 꼭 맞는 복장으로 작업하십시오.

작업시 발생하는 분진은 건강에 유해하거나 가연성 혹은 폭발성일 수 있으므로 적당한 안전 조치가 필요합니다.

실례 : 어떤 분진은 발암성으로 간주됩니다. 알맞은 분진 / 톱밥 제거장치를 사용하고 분진 마스크를 사용하십시오.

경금속 분진은 발화하거나 폭발할 수 있습니다. 작업소재 혼합물이 특히 위험하므로 작업장을 항상 깨끗이 하십시오.

작업중 전원 코드가 손상되거나 절단된 경우, 코드를 만지지 말고 즉시 전원 플러그를 빼십시오. 절대로 전원 코드가 손상된 기기를 사용해서는 안됩니다.

실외에서 기기를 사용할 경우, 단속전류가 최대 30 mA 인 전류 차단 안전 스위치 (RCD) 가 설치된 전원 에 연결하십시오. 비 또는 습기가 많은 곳에서는 기기를 사용하지 마십시오.

코드는 항상 기기의 뒤쪽으로 향하게 놓으십시오.

보이지 않는 배관설비를 확인하려면 적당한 탐지기를 사용하거나 담당 에너지 공급회사에 문의하십시오. 전선에 접하게 되면 화재나 전기 충격을 야기할 수 있습니다. 가스관을 손상시키면 폭발 위험이 있습니다. 수도관을 파손하게 되면 재산 피해를 유발하거나 전기 충격을 야기할 수 있습니다.

기기 작동 시 항상 보조 손잡이 11 을 장착하여 사용하십시오.

작업물을 잘 고정하십시오. 고정장치나 기계 바이스에 끼워서 작업하면 손으로 잡는 것보다 더 안전합니다.

스위치가 꺼진 상태에서만 기기를 너트 / 나사에 대십시오.

긴 스크류를 조일 때 미끄러질 위험이 있으므로 주의하십시오.

항상 기기를 반드시 두 손으로 잡고 평형을 이룬 안전한 자세로 작업하십시오.

기기를 내려놓을 때에는 항상 스위치를 끄고 기기가 완전히 멈추었는지를 확인하십시오.

절대로 어린이가 사용해서는 안됩니다.

보쉬사는 본 기기용 보쉬 순정 액세서리 및 부품을 사용한 기기의 경우에만 그 완벽한 기능을 보장합니다.

과부하 클러치

드릴 비트가 꽂 끼거나 박힌 경우 드릴 스펀들의 작동이 자동으로 중단됩니다. 이때 생기는 충격에 대비해서 기기를 반드시 두 손으로 잡고 평형을 이룬 자세로 작업해야 합니다.

2 기능 설명

기계 사양

| 헤머 드릴 | GBH 2-22 S PROFESSIONAL | GBH 2-22 E PROFESSIONAL | GBH 2-22 RE PROFESSIONAL |
|--------------------------------|----------------------------|----------------------------|-----------------------------|
| 주문번호 | 0 611 250 0.. | 0 611 250 6.. | 0 611 250 7.. |
| 속도 조절 | - | ● | ● |
| 역회전 | - | - | ● |
| 정격 소비전력 [W] | 620 | 620 | 620 |
| 출력 [W] | 280 | 280 | 280 |
| 타격률 [rpm] | 4400 | 0 ... 4400 | 0 ... 4400 |
| 스트로크당 타격 에너지 [J] | 2.2 | 2.2 | 2.2 |
| 정격 속도 우회전 [rpm] | 1000 | 0 ... 1000 | 0 ... 1000 |
| 좌회전 [rpm] | - | - | 0 ... 1000 |
| 툴 홀더 SDS-plus | ● | ● | ● |
| 스핀들 넥 직경 [mm] | 43 (유로 기준) | 43 (유로 기준) | 43 (유로 기준) |
| 드릴 직경 (최대): 벽돌 (코어 드릴) [mm] | 68 | 68 | 68 |
| 콘크리트 [mm] | 22 | 22 | 22 |
| 목재 [mm] | 30 | 30 | 30 |
| 철재 [mm] | 13 | 13 | 13 |
| 중량 (액세서리 제외) 약 [kg] | 2.3 | 2.3 | 2.3 |
| 안전 등급 | II / II | II / II | II / II |

귀하 기기의 주문 번호를 확인하십시오. 각 기기의 명칭이 시중에서 상이하게 사용될 수 있습니다.

소음 / 진동에 관한 정보

측정치는 EN 50 144 규정에 따라 측정된 것입니다. A 등급으로 평가된 기기의 소음 레벨은 일반적으로 다음과 같습니다.

음압 레벨 90 dB(A)
음출력 레벨 103 dB(A)

귀마개를 착용하십시오!

측정된 표준 가중가속은 12 m/s² 입니다.

규정에 따른 사용

본 기기는 콘크리트, 벽돌, 석재 등에 헤머드릴 작업을 하는데 적합합니다. 또한 목재, 금속, 세라믹, 플라스틱에 타격이 필요 없는 단순 드릴 작업에도 적합합니다.

전자제어장치와 역회전 스위치가 있는 기종은 스크류 작업과 나사산 절삭 작업에도 사용할 수 있습니다.

제품의 주요 명칭

제품의 주요 명칭에 표기하고 있는 번호는 접힌 면에 나와 있는 도면을 참고로 하십시오.

- 1 툴 홀더 (SDS-plus)
- 2 먼지막이 캡
- 3 잠금 슬라이브
- 4 역회전 스위치
- 5 연속 작동 스위치
- 6 전원 스위치
- 7 작동모드 선택 스위치
- 8 잠금 해제 버튼
- 9 보조 손잡이 버튼
- 10 깊이 조절자
- 11 보조 손잡이
- 12 진공 흡입 장치 *
- 13 드릴 척 *
- 14 드릴 척 어댑터 샤프트 *
- 15 조립된 드릴 척 *
- 16 스크류 드라이버 비트용 유니버설 홀더 *

* 도면이나 설명서에 있는 액세서리 중 일부는 표준 공급부품에 속하지 않습니다.

3 기계 사용방법

사용 전 준비

보조 손잡이 (그림 A 참조)

기기 작동 시 항상 보조 손잡이 11을 장착하여 사용하십시오.

작업자가 피로하지 않고 안전한 자세로 작업할 수 있도록 보조 손잡이 11을 원하는 위치에 돌려 조립할 수 있습니다.

보조 손잡이 11을 시계 반대 방향으로 돌려 푼 다음, 원하는 위치에 맞춥니다. 그리고 나서 보조 손잡이 11을 다시 시계 방향으로 돌려 세계 조입니다.

비트 선택

해머 드릴작업이나 치즐링작업 (별도 구매가능한 MV 200 사용 필수)을 하려면 기기의 SDS 드릴 척에 맞는 SDS-plus 비트가 필요합니다 ('SDS-plus 비트' 참조).

철재나 목재에 드릴작업을 하거나 스크류작업 혹은 나사산 절삭작업을 할 때에는 SDS-plus가 아닌 비트 (실린더 샤프트가 있는 드릴의 경우)를 사용해야 합니다. 이러한 비트를 사용하려면 특수한 드릴 척이 필요합니다 ('SDS-plus가 아닌 비트의 작업' 참조).

비트를 교환할 때 먼지막이 캡 2가 손상되지 않도록 주의하십시오.

SDS-plus 비트

시스템상 SDS-plus 비트는 충분히 움직일 수 있어야 합니다. 그래서 공전상태에서 편심 현상이 생기지만 드릴작업 시에는 다시 저절로 중심을 잡습니다. 이는 작업의 정확성에 어떠한 영향도 미치지 않습니다.

SDS-plus 비트 장착하기 (그림 B 참조)

비트를 끼우기 전에 깨끗이 닦고 삽입되는 부분에 윤활유를 조금 바릅니다.

비트가 걸리는 소리가 날 때까지 툴 홀더 1에 돌리면서 밀어 끼웁니다.

비트는 자동으로 잠깁니다. 비트를 당겨보아 제대로 잠겼는지 확인하십시오.

SDS-plus 비트 탈착하기 (그림 C 참조)

잠금 슬리브 3을 뒤로 당기고 (a), 이 상태를 유지한 채 비트를 툴 홀더에서 빼면 됩니다 (b).

천공 깊이 조절하기 (그림 D 참조)

깊이 조절자 10으로 최대 천공 깊이 t를 결정할 수 있습니다.

보조 손잡이 버튼 9를 누른 상태로 깊이 조절자를 보조 손잡이 11에 끼웁니다.

SDS-plus 비트를 툴 홀더 1의 끝까지 밀어 넣습니다. 그렇지 않으면, SDS 비트가 움직이면서 천공 깊이를 정확하게 세팅 할 수 없게 됩니다.

비트의 앞면과 깊이 조절자의 앞면의 간격이 원하는 천공 깊이 t가 될 때까지 깊이 조절자를 앞으로 당깁니다.

진공 흡입 장치를 사용한 분진 제거 (액세서리)

분진을 흡입 처리하려면 진공 흡입 장치 (별도 구매)가 필요합니다. 드릴작업을 할 때 진공 흡입 장치가 뒤로 밀려서 진공 흡입 장치의 헤드가 드릴하는 표면에 항상 밀접하게 유지됩니다.

보조 손잡이 버튼 9를 누른 상태로 깊이 조절자 10을 빼냅니다. 버튼 9를 다시 누르고 진공 흡입 장치를 보조 손잡이 11 안으로 앞에서부터 끼웁니다 (그림 E 참조).

진공 흡입 장치를 조립한 상태에서도 최대한의 천공 깊이 t를 세팅할 수 있습니다. 기기의 스위치를 켜지 말고 기기를 작업 표면에 닿도록 세게 누릅니다. 이때 진공 흡수 장치 눈금자의 수치를 읽은 다음, 이 값에다 원하는 천공 깊이 t를 더합니다.

진공 흡입 장치의 깊이 조절자에 있는 널링 나사를 풀고 깊이 조절자를 계산한 수치까지 밀어 맞춥니다. 그리고 나서 깊이 조절자의 널링 나사를 다시 세게 조입니다.

흡입 호스 (직경 Ø 19 mm, 별도 구매)를 진공 흡입 장치의 입구 부위에 연결하십시오.

가스 등을 처리하는 진공 청소기는 작업하는 소재와 적합해야 합니다.

특히 건강에 유해한 발암성의 건조한 분진을 처리해야 할 때는 특수한 청소기를 사용해야 합니다.

기계 시동

공급 배전 전압에 주의!

공급되는 전원의 전압은 제품의 명판에 표기된 전압과 동일해야 합니다.

230V 용 제품은 220V 전원에 사용할 수 있습니다.

작동 모드 설정하기

작동 모드 선택 스위치 7로 기기의 작동 모드를 선택하십시오.

기기가 정지된 상태에서만 작동 모드를 변경하십시오! 그렇지 않으면 기기가 손상될 수 있습니다.

작동 모드를 바꾸려면 잠금 해제 버튼 8을 누르고 작동 모드 선택 스위치 7이 분명히 걸리는 소리가 날 때까지 원하는 위치로 돌립니다.



콘크리트나 석재에 해머 드릴작업을 하거나 치즐링작업을 할 때.



철재나 목재에 드릴작업을 하거나, 스크류작업 또는 나사산 절삭작업을 할 때.

회전방향 선택하기 (GBH 2-22 RE)

역회전 스위치 4로 기기의 회전 방향을 바꿀 수가 있습니다 (그림 F 참조).

우회전 : 역회전 스위치 4를 양쪽 모두 ← 위치로 돌립니다.

좌회전 : 역회전 스위치 4를 양쪽 모두 → 위치로 돌립니다.

스위치 작동

기기를 **시동**하려면 전원 스위치 6을 누릅니다.

기기를 **연속 작동**하려면 전원 스위치 6을 누른 상태로 연속 작동 스위치 5를 눌러 고정합니다.

기기의 **스위치를 끄려면** 전원 스위치 6을 놓습니다. 연속 작동할 경우 전원 스위치 6을 먼저 눌렀다가 다시 놓습니다.

속도 조절하기 (GBH 2-22 E/GBH 2-22 RE)

전원 스위치 6에 가하는 압력이 강하고 약함에 따라 시동 중에 기기의 속도를 무단으로 조절할 수 있습니다.

기기의 속도를 낮추어 작업하면 타일 등 매끄러운 표면에 드릴작업을 용이하게 할 수 있으며 시공할 때 드릴이 미끄러지는 것과 드릴 구멍에 파편이 생기는 것을 방지합니다.

추천 속도 범위 :

- 고속 범위 : 콘크리트나 석재에 해머 드릴작업을 하거나 치즐링작업을 할 때 ,
- 고속 범위 : 철재에 드릴작업을 할 때 ,
- 중속 범위 : 목재에 드릴작업을 할 때 ,
- 저속 범위 : 스크류작업 또는 나사산 절삭작업을 할 때 .

사용 방법

치즐링작업

치즐링작업을 하려면 톨 홀더에 끼우는 SDS-plus 치즐 부착 장치 MV 200(별도 구매)가 필요합니다.

SDS-plus 가 아닌 비트로 작업하기

SDS-plus 가 아닌 비트는 절대로 해머 드릴작업을 하는 데 사용해서는 안됩니다! SDS-plus 가 아닌 비트와 드릴 척과 같은 톨 홀더는 해머 드릴작업으로 인해 손상될 수 있습니다.

SDS-plus 가 아닌 비트로 작업할 때는 작동 모드 선택 스위치 7을 0 위치로 돌립니다.

일반 드릴작업

실린더 샤프트가 있는 드릴과 같이 SDS-plus 가 아닌 비트로 작업하려면, 적당한 드릴 척을 사용해야 합니다.

SDS-plus 어댑터 14 (별도 구매)를 링 기어나 키레스 척 13에 끼워 돌리십시오 (그림 G 참조).

어댑터 샤프트를 끼우기 전에 깨끗이 닦고 끼워지는 끝 부분에 윤활유를 조금 바릅니다.

어댑터 샤프트와 함께 조립된 드릴 척 15를 잠기는 소리가 날 때까지 톨 홀더 1에 돌리면서 끼웁니다 (그림 G 참조).

어댑터 샤프트는 자동으로 잠깁니다. 드릴 척을 당겨보아 제대로 잠겼는지 확인하십시오.

드릴 척 15를 빼려면 잠금 슬리브 3을 뒤로 당기고, 이 상태를 유지한 채 드릴 척을 톨 홀더에서 빼면 됩니다.

스크류작업

스크류 드라이버 비트를 사용하려면 SDS-plus 어댑터 샤프트가 있는 유니버설 비트 홀더 (별도 구매) 16이 필요합니다.

어댑터 샤프트를 끼우기 전에 깨끗이 닦고 끼워지는 끝 부분에 윤활유를 조금 바릅니다.

유니버설 비트 홀더 16을 잠기는 소리가 날 때까지 톨 홀더 1에 돌리면서 끼웁니다 (그림 H 참조).

유니버설 비트 홀더는 자동으로 잠깁니다. 유니버설 비트 홀더를 당겨보아 제대로 잠겼는지 확인하십시오.

스크류 드라이버 비트 한 개를 유니버설 비트 홀더에 끼웁니다.

유니버설 비트 홀더를 빼려면 잠금 슬리브 3을 뒤로 당기고, 이 상태를 유지한 채 유니버설 비트 홀더 16을 톨 홀더에서 빼면 됩니다.

4 보수 정비와 서비스

보수 정비

기기에 작업하기 전에 반드시 콘센트에서 전원 플러그를 빼십시오 .

안전한 작업을 위해 기기와 환기구를 항상 깨끗이 유지해야 합니다 .

툴 홀더를 사용한 후 매번 깨끗이 닦으십시오 .

먼지막이 캡 교환하기

손상된 먼지막이 캡 **2** 는 곧바로 교환하십시오 . 먼지막이 캡이 손상된 경우 툴 홀더에 분진이 들어가 기능에 장애가 생길 수 있습니다 .

먼지막이 캡의 교환은 고객 서비스 센터에 맡기십시오 .

세심한 제작과 검사에도 불구하고 기기가 불량한 경우가 있다면 , 보수 지정 서비스 센터에 수리를 의뢰하십시오 .

의문사항이 있거나 스페어 부품을 주문할 때 , 반드시 제품의 타입표시 판에 적힌 10 자리의 주문 번호를 알려 주십시오 .

서비스

한국로버트보쉬기전주식회사
Robert Bosch Korea Mechanics and Electronics Ltd.

전동공구 사업부

서울시 중구 장충동 1 가 31-7, 봉우빌딩 2 층
서울중앙우체국 사서함 3698

전화 : +82 (0)2/2270-9140

팩스 : +82 (0)2/2270-9008

고객지원본부

서울시 성동구 상왕십리 14-19, 오정빌딩 201 호

전화 : +82 (0)2/2270-9080/9081/9082

팩스 : +82 (0)2/2292-2985

E-Mail: Bosch-pt.hotline@kr.bosch.com

Internet: www.bosch.co.kr

처리

기기 , 액세서리 및 포장 등은 환경보호에 맞게 재생하십시오 .

이 사용 설명서는 염소를 사용하지 않고 재생한 용지에 인쇄되었습니다 .

올바른 분리 재생을 위해서 플라스틱 부품은 표시를 했습니다 .

위 사항은 사전예고 없이 변경될 수도 있습니다 .

1 ข้อเสนอแนะเพื่อความปลอดภัย สำหรับอุปกรณ์นี้โดยเฉพาะ

สำหรับส่วนเจาะกระแทก



ท่านสามารถใช้เครื่องนี้ทำงานได้โดยปราศจากอันตราย หากท่านได้อ่านคู่มือการใช้และข้อเสนอแนะเรื่องความปลอดภัยโดยละเอียดถี่ถ้วน และทำตามอย่างเคร่งครัดเท่านั้น นอกจากนี้แล้ว ท่านจะต้องปฏิบัติตามคำชี้แจงเพื่อความปลอดภัยโดยทั่วไป ที่อยู่ในสมุดที่แนบมาด้วย

ขอให้ดูการสาริตการใช้เครื่องมือก่อนเริ่มใช้เครื่องมือเป็นครั้งแรก



เพื่อป้องกันไม่ให้เกิดอันตรายต่อประสาทการรับเสียงของท่าน โปรดใช้หูประกอบป้องกันเสียงเสมอ

โปรดสวมแว่นตานิรภัย

ถ้าหมยว โปรดสวมหมวกคลุมผม และสวมเสื้อกระชับตัวในขณะที่ทำงานเท่านั้น

ฝุ่นละอองที่เกิดขึ้นขณะทำงานอาจเป็นอันตรายต่อสุขภาพ, ติดไฟ หรือระเบิดได้ ดังนั้น จึงจำเป็นต้องเตรียมมาตรการป้องกันที่เหมาะสมไว้ให้พร้อม

เช่น ฝุ่นละอองบางประเภท จัดเป็นตัวเร่งให้เกิดโรคมะเร็งได้ ดังนั้น จึงต้องใช้อุปกรณ์ดูดฝุ่น/ผงซีลียที่ที่เหมาะสมและสวมหน้ากากปิดปากและจมูก

ฝุ่นโลหะเบา อาจติดไฟและระเบิดได้ ดังนั้น จึงควรรักษาบริเวณที่ทำงานให้สะอาดอยู่เสมอ เนื่องจากการผสมตัวของวัสดุต่างชนิดกันจะอันตรายเป็นพิเศษ

หากสายไฟชำรุดหรือขาดขณะทำงาน อย่าแตะต้องสายไฟ ให้ดึงสายไฟออกจากเบ้าเสียบหลักทันที อย่าใช้เครื่องมือที่มีสายไฟชำรุดโดยเด็ดขาด

เครื่องที่นำไปใช้งานในที่กลางแจ้ง จะต้องต่อเข้ากับระบบไฟฟ้าที่ติดตั้งสวิตช์ป้องกันกระแสผิดและบกพร่อง (FI) ที่มีกระแสแยกหน้าสัมผัสสูงสุด 30 mA ไว้ด้วย อย่าใช้เครื่องในขณะที่ฝนตกหรือในที่เปียกและ

ให้เอาสายไฟไว้ด้านหลังของเครื่องเสมอ

ใช้เครื่องตรวจหาที่เหมาะสม เพื่อสำรวจหาสายไฟฟ้าและสายทองส่งต่างๆ ที่ฝังซ่อนอยู่ หรือเรียกพนักงานของหน่วยงานการไฟฟ้าและการประปาในท้องถิ่นมาช่วยจัดการในเรื่องนี้ ถ้าสัมผัสกับสายไฟฟ้า อาจทำให้เกิดเพลิงไหม้ หรือ ถูกไฟฟ้าช็อคได้ หากทำให้ท่อแก๊สชำรุด อาจเกิดการระเบิดได้ ถ้าเจาะเข้าไปในท่อน้ำประปา อาจทำให้เกิดความเสียหายแก่ตัวลู่ของ และอาจถูกไฟฟ้าช็อคได้

ขอให้ใช้เครื่องของท่านพร้อมกับด้ามจับเสริม 11 เท่านั้น

ยึดวัสดุให้แน่น วัสดุใช้งานที่ใช้แคล้มหรือเครื่องยึดชิ้นงานยึดไว้ จะอยู่กับที่ได้มั่นคงแน่นอนดีกว่าใช้มือจับยึดไว้

นำเครื่องมือจ่อเข้ากับ น็อต/สลักเกลียว ขณะที่เครื่องปิดอยู่เท่านั้น

ระวัง ในการขันสลักเกลียวขนาดยาว อาจลื่นไถลได้

ขณะปฏิบัติงาน ต้องจับเครื่องให้กระชับแน่นด้วยมือทั้งสองเสมอ และต้องมีจุดยืนทำงานที่มั่นคงปลอดภัย

ก่อนที่จะวางเครื่องลงทุกครั้ง จะต้องปิดเครื่องและรอ จนกว่าเครื่องจะหยุดนิ่ง

อย่าอนุญาตให้เด็กใช้เครื่องนี้เป็นอันขาด

บ๊อช จะรับประกันการทำงานอย่างไร้ที่ติของเครื่องได้ ก็ต่อเมื่อใช้อุปกรณ์อะไหล่ของแท้ของ บ๊อช ที่จัดไว้ให้กับเครื่องนี้ โดยเฉพาะเท่านั้น

คลังท้อโอเวอร์โหลด

ถ้าอุปกรณ์เครื่องมือเจาะ ติดขัดหรือติดแน่น แรงขับเคลื่อนที่ส่งไปยังคอกแกนเพลลาจะถูกตัด และจะเกิดแรงสะบัดขึ้น ด้วยเหตุนี้ จึงต้องจับเครื่องให้กระชับแน่นไว้ด้วยมือทั้งสองข้าง และมีจุดยืนที่มั่นคง

2 คำอธิบายการทำงานของเครื่อง

รายละเอียดเกี่ยวกับเครื่อง

| ส่วนเจาะกระแทก | | GBH 2-22 S PROFESSIONAL | GBH 2-22 E PROFESSIONAL | GBH 2-22 RE PROFESSIONAL |
|----------------------------------|-----------------------|----------------------------|----------------------------|-----------------------------|
| หมายเลขสั่งสินค้า | | 0 611 250 0.. | 0 611 250 6.. | 0 611 250 7.. |
| การควบคุมความเร็วรอบหมุน | | – | ● | ● |
| การปรับหมุน ขวา/ซ้าย | | – | – | ● |
| กำลังไฟฟ้าเข้า | [วัตต์] | 620 | 620 | 620 |
| กำลังใช้งาน | [วัตต์] | 280 | 280 | 280 |
| อัตราการกระแทก | [นาที ⁻¹] | 4400 | 0 ... 4400 | 0 ... 4400 |
| ความแรงกระแทกต่อครั้ง | [จูล] | 2,2 | 2,2 | 2,2 |
| อัตราความเร็ว | | | | |
| หมุนไปทางขวา | [นาที ⁻¹] | 1000 | 0 ... 1000 | 0 ... 1000 |
| หมุนไปทางซ้าย | [นาที ⁻¹] | – | – | 0 ... 1000 |
| หัวรับส่วน SDS-plus | | ● | ● | ● |
| Ø คอแกน | [มม] | 43 (มาตรฐานยุโรป) | 43 (มาตรฐานยุโรป) | 43 (มาตรฐานยุโรป) |
| เส้นผ่าศูนย์กลางรูเจาะ (สูงสุด): | | | | |
| ผนังอิฐปูน (หัวเจาะวงแหวนกลวง) | [มม] | 68 | 68 | 68 |
| คอนกรีต | [มม] | 22 | 22 | 22 |
| ไม้ | [มม] | 30 | 30 | 30 |
| เหล็กกล้า | [มม] | 13 | 13 | 13 |
| น้ำหนัก (ไม่มีอุปกรณ์) ประมาณ | [กก] | 2,3 | 2,3 | 2,3 |
| ระดับความปลอดภัย | | ☐ / II | ☐ / II | ☐ / II |

ขอให้ท่านดูหมายเลขของเครื่องมือของท่าน คำเรียกทางการค้าของเครื่องมือแต่ละชนิดอาจแตกต่างกันไปได้

ข้อมูลเกี่ยวกับเสียงและการสั่นตัว

ค่าที่วัดนี้ กำหนดตาม EN 50 144

ค่า A ของระดับเสียงที่เกิดจากการทำงานตามปกติคือ

ระดับคลื่นแอมพลิจูดของเสียง 90 เดซิเบล(A);

ระดับกระแสคลื่นของเสียง 103 เดซิเบล(A)

ต้องใช้เครื่องประกอบหูป้องกันเสียง

อัตราการเร่งความเร็วที่นำมาวัดค่านี้ ตามปกติเท่ากับ 12 m/s²

ลักษณะการใช้งานของเครื่อง

เครื่องมือนี้ออกแบบมาเพื่อใช้ในการตอกเจาะรู คอนกรีต, อิฐ, และหินธรรมชาติ อีกทั้งยังเหมาะที่จะใช้ในการเจาะรูกับไม้, โลหะ, กระจก และพลาสติก โดยไม่ตอก เครื่องมือนี้มีระบบบังคับควบคุมอิเล็กทรอนิกส์ และการปรับ หมุน ขวา/ซ้าย ดังนั้น จึงเหมาะสำหรับ การขันตะปูควง และ การตัดเกลียว

ส่วนประกอบเครื่อง

หมายเลขส่วนประกอบของเครื่อง เป็นหมายเลขที่ปรากฏในภาพแสดงตัวเครื่องในหน้าแผ่นพับที่กางออกได้นี้

- 1 หัวรับสว่าน (SDS-plus)
- 2 ฝาครอบกันฝุ่น
- 3 ปลอกหุ้มล้อย
- 4 สวิตช์ ปรอททิศทางการหมุน ซ้าย-ขวา
- 5 ปุ่มล้อย
- 6 สวิตช์ เบ็ด-บิต
- 7 ปุ่มเลือก ประเภทการปฏิบัติงาน

- 8 ปุ่มปลดล้อย
 - 9 ปุ่ม ที่ ด้ามจับเสริม
 - 10 ก้านกำหนดความลึก
 - 11 ด้ามจับเสริม
 - 12 หัวดูดฝุ่น Saugfix*
 - 13 จำปาจับดอกสว่าน*
 - 14 ก้านจำปาจับดอกสว่าน*
 - 15 จำปาจับดอกสว่าน ที่ประกอบเข้ากันแล้ว*
 - 16 ตัวยึดเอนกประสงค์ สำหรับ หัวไขควง*
- * อุปกรณ์ประกอบบางส่วนในภาพประกอบหรือในคำอธิบาย ไม่รวมอยู่ในการจัดส่งพร้อมเครื่องนี้

3 การปฏิบัติงาน

ก่อนใช้เครื่อง

ด้ามจับเสริม (ดูรูป A)

ขอให้ใช้เครื่องของท่านพร้อมด้ามจับเสริม **11** เท่านั้น ท่านสามารถโยก ด้ามจับเสริม **11** ไปมาได้ตามใจชอบ เพื่อจับเครื่องทำงานได้อย่างมั่นคงปลอดภัย และเมื่อยล้าน้อย คลาย ด้ามจับเสริม **11** ออกไปทางทิศทวนเข็มนาฬิกา แล้วโยกไปยังตำแหน่งที่ต้องการ หลังจากนั้น หมุน ด้ามจับเสริม **11** กลับไปทางทิศตามเข็มนาฬิกาให้ติดแน่นเข้าที่ดังเดิม

การเลือกอุปกรณ์เครื่องมือ

ในการเจาะกระแทกและดอกสกิด (ใช้กับอุปกรณ์ประกอบ MV 200 เท่านั้น) จำเป็นต้องใช้อุปกรณ์เครื่องมือระบบ SDS plus ซึ่งเสียบใส่ลงไปในการจำปาจับดอกสว่านระบบ SDS (โปรดดู *อุปกรณ์เครื่องมือ SDS plus*)

ในการเจาะรูเหล็กกล้าหรือไม้, ในการไขควง และตัดเกลียว จะใช้อุปกรณ์เครื่องมือที่ไม่มีระบบ SDS plus (เช่น ดอกสว่าน ก้านกลม เป็นต้น) สำหรับอุปกรณ์หัวเครื่องมือเหล่านี้ ท่านจำเป็นต้องใช้จำปาจับดอกสว่านพิเศษ (โปรดดู *การทำงานกับ อุปกรณ์หัวเครื่องมือที่ไม่มีระบบ SDS plus*)

ในการเปลี่ยนอุปกรณ์หัวเครื่องมือ โปรดระวัง อย่าทำให้ ฝาครอบกันฝุ่น **2** ชำรุด

อุปกรณ์เครื่องมือ ระบบ SDS plus

อุปกรณ์เครื่องมือระบบ SDS plus ตามคุณลักษณะของระบบ จะต้องเคลื่อนไหวได้อย่างเสรี ในขณะที่เครื่องเดินอยู่โดยไม่ใช้งาน จะมีการหมุนออกตามแนวรัศมี ซึ่งเมื่อทำการเจาะ ก็จะเข้าหาศูนย์กลางเองโดยอัตโนมัติ การเคลื่อนไหวนี้ไม่ทำให้รูเจาะเสียความเที่ยงตรง

การใส่ อุปกรณ์หัวเครื่องมือ SDS plus (ดูรูป B)

ก่อนใส่ โปรดทำความสะอาดอุปกรณ์หัวเครื่องมือให้หมดจด และทาน้ำมันปลายก้านด้านที่เสียบลงไปบางๆ หมุนดันอุปกรณ์หัวเครื่องมือลงไปใน หัวรับสว่าน **1** จนกระทั่ง ขบลิ้ม

หัวเครื่องมือจะล็อกเข้าที่ลงไปโดยอัตโนมัติ ทดสอบว่าล็อกติดแน่นหรือไม่ ด้วยการดึงที่หัวเครื่องมือ

การถอด อุปกรณ์หัวเครื่องมือ SDS plus (ดูรูป C)

ดึง ปลอกหุ้มล้อย **3** ไปทางด้านหลัง (a), ยึดตัวปลอกไว้ให้อยู่ในตำแหน่งนี้ แล้วปลดหัวเครื่องมือออกจากหัวรับสว่าน (b).

การปรับตั้งความลึกของการเจาะ (ดูรูป D)

จะกำหนด ความลึกสูงสุดของการเจาะ **t** ได้ ด้วยการใช้
ก้านกำหนดความลึก **10**

กด ปุ่ม **9** ของ ด้ามจับเสริม แล้วใส่ ก้านกำหนดความลึก ลง
ไปในด้ามจับเสริม **11** นี้ โดยให้ด้านที่เป็นร่องของก้านกำหนด
ความลึกหันลงข้างล่าง

ดัน หัวเครื่องมือ SDS plus เข้าไปใน หัวรับส่วน **1** จนสุด
มีฉนวนแล้ว การเคลื่อนตัวของหัวเครื่องมือ SDS อาจทำให้
การตั้งขนาดความลึกของการเจาะผิดพลาดไปได้
ดึงก้านกำหนดความลึกให้ยื่นออกมา จนกระทั่งได้ระยะห่าง
ระหว่างปลายดอกสว่าน กับ ปลายก้านกำหนดความลึก เท่ากับ
ขนาดความลึกของการเจาะ **t** ตามต้องการ

การดูดฝุ่น ด้วย Saugfix (อุปกรณ์ประกอบ)

ในการดูดฝุ่นจำเป็นต้องใช้ Saugfix (อุปกรณ์ประกอบ) ในขณะที่
เจาะ ด้วย Saugfix จะสปริงตัวกลับไป ดังนั้น หัวดูดฝุ่น Saugfix
จึงถูกจับข้อให้ชิดอยู่กับพื้นที่เสมอ

กด ปุ่ม **9** ของ ด้ามจับเสริม แล้วดึง ก้านกำหนดความลึก **10**
ออก กด ปุ่ม **9** ลงไปใหม่ แล้วใส่ตัว Saugfix ลงไปในด้ามจับ
เสริม **11** ทางด้านหน้า (ดูรูป E)

ท่านสามารถกำหนดความลึกการเจาะสูงสุด **t** ขณะที่ตัว
Saugfix ประกอบติดตั้งอยู่กับเครื่องได้เช่นกัน ด้วยการจ่อ
เครื่องที่ไม่เปิดทำงานให้ชิดแน่นกับพื้นที่ที่จะเจาะ จนกระทั่ง
ดอกสว่านเข้าไปจดกับพื้นที่นี้ อ่านคำวัดที่บรรทัดของ Saugfix
แล้วบวก ความลึกการเจาะ **t** ตามต้องการ เพิ่มเข้าไป

คลาย สลักปุ่ม ที่ ก้านกำหนดความลึก ของตัว Saugfix ออก
และดันก้านกำหนดความลึกไปยังค่าที่คำนวณไว้ แล้วขัน สลัก
ปุ่ม ที่ ก้านกำหนดความลึก ลงไปให้ตึงแน่นอีกครั้ง

ต่อท่อดูด (Ø 19 มม., อุปกรณ์ประกอบ) เส้นหนึ่ง เข้ากับช่อง
ดูด ของ Saugfix

เครื่องดูดฝุ่น (เช่น GAS...) จะต้องเหมาะกับประเภทวัสดุที่ใช้
ทำงาน

ในการดูดฝุ่น โดยเฉพาะอย่างยิ่ง ฝุ่นแห่งที่เป็นอันตรายต่อ
สุขภาพ และ กระตุ้นให้เกิดมะเร็ง จะต้องใช้เครื่องดูดฝุ่นพิเศษ

การใช้เครื่อง

ข้อพึงสังเกตเกี่ยวกับแรงดันไฟฟ้า!

ค่าแรงดันไฟฟ้าของระบบจ่ายกำลังไฟฟ้าจะต้องตรงกับค่าที่ระบุ
ไว้บนแผ่นป้ายพิกัดเครื่อง
เครื่องที่ติดตั้งพิกัดไว้ 230 โวลท์ ก็สามารถใช้ได้กับค่าแรงดัน
ไฟฟ้า 220 โวลท์

การตั้ง ประเภทการปฏิบัติงาน

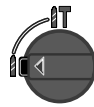
เลือกประเภทการปฏิบัติงานของเครื่อง ด้วย ปุ่มเลือกประเภท
การปฏิบัติงาน **7**

สับเปลี่ยน ประเภทการปฏิบัติงาน ในขณะที่เครื่องปิดอยู่เท่านั้น!
มีฉนวนแล้ว จะทำให้เครื่องเสียหายได้

เมื่อต้องการเปลี่ยนประเภทการปฏิบัติงาน ขอให้กด ปุ่มปลด
ล็อก **8** ออก แล้วหมุน ปุ่มเลือกประเภทการปฏิบัติงาน **7** ไป
ยังตำแหน่งที่ต้องการ จนได้ยินเสียงล็อกเข้าที่



สำหรับการตอกเจาะคอนกรีตหรือหินธรรมชาติ
และสำหรับการเจาะสกัด



สำหรับการเจาะในเหล็กกล้าหรือไม้ สำหรับขัน
ตะปูควงและตัดเกลียว

ปรับตั้ง ทิศทางการหมุน (GBH 2-22 RE)

ท่านสามารถเปลี่ยนทิศทางการหมุนของเครื่องได้ ด้วย สวิตช์
ปรับทิศทางการหมุน ซ้าย-ขวา **4** (ดูรูป F)

หมุนไปทางขวา:

หมุน สวิตช์ ปรับทิศทางการหมุน ซ้าย-ขวา **4** ที่ทั้งสอง
ด้านไปยังตำแหน่ง ←

หมุนไปทางซ้าย:

หมุน สวิตช์ ปรับทิศทางการหมุน ซ้าย-ขวา **4** ที่ทั้งสอง
ด้านไปยังตำแหน่ง →

การเปิด-ปิดเครื่อง

เมื่อจะ **เปิด** เครื่องทำงาน กด สวิตช์ เปิด-ปิด **6**

เมื่อจะ **ล็อก** กด สวิตช์ เปิด-ปิด **6** แล้วตริ่งสวิตช์นี้ไว้
ด้วยการกด ปุ่มล็อก **5**

เมื่อจะ **ปิด** เครื่อง ปลดย่น้อออกจาก สวิตช์ เปิด-ปิด **6**

ถ้าตริ่งเอาไว้ ให้กด สวิตช์ เปิด-ปิด **6** ลงไปก่อน แล้วจึงค่อย
ปลดย่น้อออก

การตั้งความเร็วรอบหมุน (GBH 2-22 E/GBH 2-22 RE)

ด้วยการเพิ่ม หรือผ่อนแรงกดลงบน สวิตช์ เปิด-ปิด **6** จะ
สามารถบังคับควบคุมความเร็วของรอบหมุนในขณะที่เครื่องทำงาน
ได้อย่างต่อเนื่อง

การลดความเร็วรอบหมุนของเครื่อง จะช่วยให้การเริ่มต้นเจาะ
ง่ายขึ้น (เช่น บนผิวเรียบมันอย่างแผ่นกระเบื้องห้องน้ำ เป็นต้น)
ป้องกันการลื่นไถลของดอกสว่าน เมื่อเริ่มเจาะ หรือ การบิน
ร้าวของขอบรูเจาะ

พิสัยระดับความเร็วรอบ ที่ขอแนะนำ คือ:

- รอบความเร็วสูง สำหรับการเจาะตอกคอนกรีต หรือ หิน
ธรรมชาติ รวมทั้งสำหรับการเจาะสกัดด้วย
- รอบความเร็วสูง สำหรับการเจาะรูเหล็กกล้า
- รอบความเร็วปานกลาง สำหรับเจาะไม้
- รอบความเร็วต่ำ สำหรับขันตะปูควง และตัดเกลียว

ข้อแนะนำในการทำงาน

การเจาะสกัด

ในการเจาะสกัด จำเป็นต้องใช้ หัวเจาะสกัดระบบ SDS plus
MV 200 (อุปกรณ์ประกอบ) ที่ใส่ลงไปใน หัวรับสว่าน

การทำงานกับหัวเครื่องมือที่ไม่มีระบบ SDS plus

**อย่าใช้หัวเครื่องมือที่ไม่มีระบบ SDS plus สำหรับการตอก
เจาะ!** หัวเครื่องมือที่ไม่มีระบบ SDS plus และหัวรับดอกของ
ระบบ (เช่น จำปาจับดอกสว่าน) จะเสียหาย เมื่อใช้ตอกเจาะ

ในการทำงานกับหัวเครื่องมือที่ไม่มีระบบ SDS plus หมุน ปุ่ม
เลือกประเภทการปฏิบัติงาน **7** ไปเข้าตำแหน่ง **II**

เจาะ

เพื่อให้หัวเครื่องมือที่ไม่มีระบบ SDS plus (เช่น ดอกสว่านที่มี
ก้านกลม) ใช้ทำงานได้ จะต้องใส่จำปาจับดอกสว่านที่เหมาะสม
ลงไปด้วย

ขัน ก้านจำปาจับดอกสว่าน **14** ระบบ SDS plus (อุปกรณ์
ประกอบ) เข้าไปใน จำปาจับดอกสว่านแบบพื้นเพื่อง หรือแบบ
ขันเร็ว **13** (ดูรูป **G**)

ทำความสะอาดก้านจำปาจับดอกสว่าน ก่อนที่จะนำมาใช้ และ
ทาน้ำมันบาง ๆ ที่ปลายก้านด้านเสียบเข้า

เสียบ จำปาจับดอกสว่าน **15** ที่ประกอบกันเข้ากับก้านจำปาจับ
ดอกสว่าน เข้าไปใน หัวรับสว่าน **1** แล้วค่อย ๆ หมุนลงไปจน
ขบลิ้ม (ดูรูป **G**)

ก้านจำปาจับดอกสว่านจะล็อกติดลงไปเองโดยอัตโนมัติ ลองดึง
ที่ตัวจำปาจับดอกสว่าน เพื่อทดสอบว่าล็อกติดแน่นเข้าที่หรือไม่
เมื่อจะปลด จำปาจับดอกสว่าน **15** ออก ก็ดัน ปลอกหุ้มล็อก **3**
ไปทางด้านหลัง และยึดไว้ให้อยู่ในตำแหน่งนี้ แล้วดึงจำปาจับ
ดอกสว่านออกจากหัวรับสว่าน

ขันตะปูควง

เมื่อจะนำไปใช้กับหัวไขควง ท่านจำเป็นที่จะต้องมี ตัวยึดเอนก
ประสงค์ และ ก้านจำปาจับดอกสว่าน ระบบ SDS plus **16**
(อุปกรณ์ประกอบ)

ทำความสะอาดก้านจำปาจับดอกสว่าน ก่อนที่จะนำมาใช้ และ
ทาน้ำมันบาง ๆ ที่ปลายก้านด้านเสียบเข้า

เสียบ ตัวยึดเอนกประสงค์ **16** เข้าไปใน หัวรับสว่าน **1** แล้ว
ค่อย ๆ หมุนลงไปจนขบลิ้ม (ดูรูป **H**)

ตัวยึดเอนกประสงค์จะล็อกติดลงไปเองโดยอัตโนมัติ ลองดึงที่ตัว
ยึดเอนกประสงค์ดู เพื่อทดสอบว่าล็อกติดแน่นเข้าที่หรือไม่
เสียบหัวไขควงหัวหนึ่งเข้าไปในตัวยึดเอนกประสงค์

เมื่อจะปลด ตัวยึดเอนกประสงค์ **16** ออก ก็ดัน ปลอกหุ้มล็อก **3**
ไปทางด้านหลัง และยึดไว้ให้อยู่ในตำแหน่งนี้ แล้วดึงตัวยึด
เอนกประสงค์ออกจากหัวรับสว่าน

4 การบำรุงรักษาและบริการซ่อมแซม

การบำรุงรักษา

ก่อนปรับแต่งเครื่องต้องดึงปลั๊กไฟหลักออก

เพื่อให้ทำงานได้อย่างถูกต้องและปลอดภัย ต้องทำความสะอาด
สะอาดตัวเครื่องและช่องระบายอากาศอยู่เสมอ

ทำความสะอาดหัวรับสว่านหลังการใช้งานทุกครั้ง

การเปลี่ยน ฝาครอบกันฝุ่น

เปลี่ยน ฝาครอบกันฝุ่น 2 ที่ชำรุด โดยมีรอซ้า มิฉะนั้นแล้ว ฝุ่น
ละอองอาจเล็ดลอดเข้าทางฝาครอบกันฝุ่นที่ชำรุด ไปทำให้
เครื่องทำงานขัดข้องได้

โปรดให้หน่วยบริการลูกค้าเป็นผู้เปลี่ยนฝาครอบกันฝุ่นให้ท่าน

เครื่องมือได้ผ่านการมวិธีการผลิต และตรวจสอบอย่างละเอียด
ถี่ถ้วนมาแล้ว หากเครื่องมือนี้เกิดขัดข้อง โปรดจัดส่งไปยังศูนย์
บริการเครื่องมือไฟฟ้าของ บ็อบ ที่ได้รับมอบอำนาจสิทธิเป็นผู้
ซ่อมแซม

หากท่านมีคำถาม หรือต้องการสั่งอะไหล่ชิ้นส่วน กรุณาแจ้ง
หมายเลข 10 ตำแหน่ง ตามที่ปรากฏอยู่บนแผ่นป้าย
รุ่นของเครื่องมือมาทุกครั้ง

ตู้ไปรษณีย์

บริษัท โรเบิร์ต บ็อบ จำกัด

แผนกเครื่องมือไฟฟ้า

ตู้ ปณ. 20 54

กรุงเทพฯ 10501

ประเทศไทย

ศูนย์บริการซ่อมและฝึกอบรม

ศูนย์บริการซ่อมและฝึกอบรมบ็อบ

2869-2869/1 ซอยบ้านกล้วย

ถนนพระรามที่ 4 (ใกล้ทางรถไฟสายปากน้ำเก่า)

พระโขนง

กรุงเทพฯ 10110

ประเทศไทย

โทรศัพท์ +66 (0)2/671 7800-4

โทรสาร +66 (0)2/249 4296

โทรสาร +66 (0)2/249 5299

บริการซ่อมบำรุง

ในกรณีประกัน ซ่อมแซม หรือซื้อชิ้นส่วนมาเปลี่ยน
กรุณาติดต่อผู้ขายที่ได้รับแต่งตั้งเท่านั้น

ประเทศไทย

สำนักงาน

บริษัท โรเบิร์ต บ็อบ จำกัด

ชั้น 11 ตึกลิเบอร์ตี สแควร์

287 ถนนสีลม

กรุงเทพฯ 10500

โทรศัพท์ +66 (0)2/631 1879-1888 (10 หมายเลข)

โทรสาร +66 (0)2/238 4783

การจัดทิ้ง

เครื่องมือ อุปกรณ์ประกอบ และหีบห่อ ควรจัดแยกตามชนิด
วัสดุ เพื่อนำกลับมาใช้ใหม่ อันจะเป็นการช่วยรักษาสภาพ
แวดล้อม

คู่มือการใช้เครื่องมือนี้ พิมพ์บนกระดาษทำจากวัสดุเก่าที่นำมาใช้
ใหม่ พอกให้ขาวโดยไม่ใช้สารคลอรีน

ชิ้นส่วนที่ทำจากพลาสติกจะระบุประเภทไว้ เพื่อนำไปแยกแยะ
และนำกลับมาใช้ใหม่ได้โดยไม่ปะปนกัน

ขอสงวนสิทธิในการเปลี่ยนแปลง

1 PETUNJUK-PETUNJUK KHUSUS UNTUK PERKAKAS-PERKAKAS TERTENTU

UNTUK MESIN BOR GETARAN



Mesin ini hanya bisa dipakai dengan aman, apabila Anda membaca Petunjuk-petunjuk untuk memakai mesin dan Petunjuk-petunjuk untuk menjaga keamanan secara cermat dan mengikuti semua petunjuk-petunjuk yang ada di dalamnya.

Selain itu Petunjuk-petunjuk umum yang tertera di dalam brosur yang terlampir juga harus ditaati. Sebelum Anda memakai mesin ini untuk pertama kalinya, lihatlah dahulu cara pemakaiannya.



Pakailah pematul telinga untuk melindungi pendengaran.

Pakailah kaca mata pelindung.

Jika rambut Anda panjang, jagalah supaya rambut tidak tersangkut, pakailah jala rambut. Janganlah memakai pakaian yang terlalu longgar jika bekerja dengan mesin ini.

Debu yang terjadi selama mempergunakan mesin dapat berbahaya bagi kesehatan, mudah terbakar atau meledak. Karena itu perlu diambil tindakan untuk perlindungan.

Misalnya: ada macam-macam debu yang dianggap dapat mengakibatkan penyakit kanker. Pergunakanlah penghisapan debu/serbuk yang cocok dan pakailah kedok anti debu.

Debu logam ringan dapat terbakar atau meledak. Karena itu tempat bekerja harus selalu dibersihkan, karena campuran bahan-bahan sangat membahayakan.

Jika selama mempergunakan mesin kabel rusak atau terpotong, janganlah menyentuh kabel, melainkan tariklah steker dari stopkontak. Jangan sekali-kali memakai mesin jika kabelnya rusak.

Mesin-mesin yang digunakan di luar gedung harus disambungkan pada sakelar pelindung terhadap arus penyimpangan (FI) dengan kepekaan maksimal 30 mA. Janganlah menggunakan mesin jika kena hujan atau di tempat yang basah.

Kabel harus selalu di belakang mesin, menjauh dari mesin.

Gunakanlah alat detektor logam yang cocok untuk mencari kabel dan pipa yang tidak terlihat atau hubungi perusahaan pengadaan setempat. Sentuhan dengan kabel-kabel listrik dapat mengakibatkan api dan kontak listrik. Pipa gas yang rusak dapat mengakibatkan ledakan. Pipa air yang rusak mengakibatkan kerusakan barang-barang atau dapat mengakibatkan kontak listrik.

Gunakanlah mesin ini hanya dengan gagang tambahan **11**.

Usahakan supaya benda yang dikerjakan tidak goyang. Benda yang dikerjakan yang ditahan dalam alat pemegang atau bais lebih mantap daripada benda yang dipegang dengan tangan.

Mesin hanya boleh diletakkan pada mur/sekrup dalam keadaan mati.

Hati-hatilah jika menyekrup sekrup yang panjang, dapat meleset.

Selama memakai mesin, peganglah selalu mesin dengan kedua belah tangan dan perhatikanlah bahwa posisi berdiri Anda adalah mantap.

Matikanlah dahulu mesin sebelum meletakkannya dan tunggulah sampai mesin berhenti memutar.

Janganlah sekali-kali mengizinkan anak-anak mempergunakan mesin ini.

Bosch menjamin bahwa mesin ini berjalan dengan mulus, jika hanya dipergunakan aksesoris asli dari Bosch saja.

Kopling pengaman

Jika mata bor terjepit atau tersangkut, maka daya penggerak sumbu utama terhenti. Berhubung dalam hal demikian terjadi momen yang amat besar, **peganglah selalu mesin dengan kedua belah tangan dan usahakan supaya posisi berdiri Anda mantap.**

2 KETERANGAN TENTANG CARA BERFUNGSI

Data teknis

| Mesin bor getaran | GBH 2-22 S PROFESSIONAL | GBH 2-22 E PROFESSIONAL | GBH 2-22 RE PROFESSIONAL |
|--|----------------------------|----------------------------|-----------------------------|
| Nomor model | 0 611 250 0.. | 0 611 250 6.. | 0 611 250 7.. |
| Pengendalian kecepatan putaran | – | ● | ● |
| Putaran ke kanan/kiri | – | – | ● |
| Masukan nominal [W] | 620 | 620 | 620 |
| Daya [W] | 280 | 280 | 280 |
| Banyaknya getaran [min ⁻¹] | 4400 | 0 ... 4400 | 0 ... 4400 |
| Daya tiap-tiap getar [J] | 2,2 | 2,2 | 2,2 |
| Putaran nominal | | | |
| Putaran ke kanan [min ⁻¹] | 1000 | 0 ... 1000 | 0 ... 1000 |
| Putaran ke kiri [min ⁻¹] | – | – | 0 ... 1000 |
| Pegangan alat kerja SDS-plus | ● | ● | ● |
| Ø Leher sumbu [mm] | 43 (norma Euro) | 43 (norma Euro) | 43 (norma Euro) |
| Diameter mata bor (maks.): | | | |
| Tembok (mata bor pipa) [mm] | 68 | 68 | 68 |
| Beton [mm] | 22 | 22 | 22 |
| Kayu [mm] | 30 | 30 | 30 |
| Baja [mm] | 13 | 13 | 13 |
| Berat (tanpa aksesoris) kira-kira [kg] | 2,3 | 2,3 | 2,3 |
| Klasifikasi keamanan | ▣ / II | ▣ / II | ▣ / II |

Perhatikanlah nomor model dari mesin Anda, kadang-kadang nama dagang dari beberapa mesin bisa berlainan.

Keterangan tentang Kebisingan/ Vibrasi

Angka-angka hasil pengukuran dihitung sesuai dengan peraturan EN 50 144.

Nilai kebisingan yang dinilai A dari mesin biasanya: tekanan bunyi 90 dB(A); nilai tenaga bunyi 103 dB(A).

Pakaihailah pemalut telinga!

Percepatan yang dinilai biasanya 12 m/s².

Penggunaan mesin

Mesin ini cocok untuk membor dengan hamering pada beton, batu bata dan batu-batuan. Selain itu mesin juga cocok untuk membor tanpa getaran pada kayu, logam, keramik dan bahan sintetik.

Mesin-mesin dengan pengendalian secara elektronika dan arah putaran ke kanan/kiri juga cocok untuk menyekrup dan mentap.

Bagian-bagian mesin

Nomor-nomor dari bagian-bagian mesin adalah sesuai dengan nomor-nomor pada gambar mesin pada halaman lipatan.

- 1 Pegangan alat kerja (SDS-plus)
- 2 Kap pelindung debu
- 3 Selubung pengunci
- 4 Knop pengatur arah putaran ke kanan/kiri
- 5 Knop pengunci
- 6 Tombol untuk menghidupkan dan mematikan mesin
- 7 Sakelar penukar cara berfungsi
- 8 Knop pelepas kunci
- 9 Tombol pada gagang tambahan
- 10 Pembatas kedalaman lubang
- 11 Gagang tambahan
- 12 Penghisapan „Saugfix“*
- 13 Cekaman mata bor*
- 14 Batang cekaman mata bor*
- 15 Cekaman mata bor yang dirakit*
- 16 Pemegang mata obeng bit*

* Aksesoris yang ada dalam gambar atau yang diterangkan kadang-kadang tidak termasuk dalam mesin yang dijual.

3 PENGGUNAAN

Sebelum menggunakan mesin

Gagang tambahan (lihat gambar A)

Gunakanlah mesin ini hanya dengan gagang tambahan 11.

Gagang tambahan 11 bisa diputar ke semua jurusan sehingga dapat diatur posisi kerja yang mantap dan tidak melelahkan.

Lepaskan gagang tambahan 11 dengan cara memutarnya dalam arah yang berlawanan dengan jalannya jarum jam dan putarkan gagang tambahan ke posisi yang dikehendaki. Setelah itu gagang tambahan 11 dikencangkan dengan cara memutarnya dalam arah jalannya jarum jam.

Memilih alat kerja

Untuk pekerjaan membor dengan hamering dan memahat (hanya dengan aksesoris MV 200) diperlukan alat-alat kerja SDS-plus yang dipasangkan pada cekaman mata bor SDS-plus dari mesin (lihat bab *alat-alat kerja SDS-plus*).

Untuk pekerjaan membor di baja atau kayu, untuk menyekrup dan mantap digunakan alat-alat kerja tanpa SDS-plus (misalnya mata bor dengan gagang berbentuk silinder). Untuk alat-alat kerja ini diperlukan cekaman mata bor khusus (lihat bab *bekerja dengan alat-alat kerja tanpa SDS-plus*).

Pada waktu mengganti alat-alat kerja, jagalah supaya kap pelindung debu 2 tidak menjadi rusak.

Alat-alat kerja SDS-plus

Alat kerja SDS-plus harus dapat bergerak dengan bebas. Hal ini menimbulkan penyimpangan putaran ketika mesin berjalan tanpa beban, yang lalu memusat sendiri ketika mengebor. Hal ini tidak mempengaruhi ketepatan lubang bor.

Memasang alat-alat kerja SDS-plus (lihat gambar E)

Bersihkan alat kerja sebelum memasangnya dan lumasi sedikit ujung pegangnya.

Dorongkan alat kerja ke dalam pegangan alat kerja 1 sambil diputar sampai mengunci.

Alat kerja mengancing sendiri. Periksalah apakah alat kerja sudah terkunci dengan cara menariknya.

Melepaskan alat-alat kerja SDS-plus (lihat gambar C)

Tariklah selubung pengunci 3 ke belakang (a), tahan dalam posisi ini dan keluarkan alat kerja dari pegangan alat kerja (b).

Menyetel kedalaman lubang bor (lihat gambar D)

Dengan pembatas kedalaman lubang 10 bisa disetel kedalaman lubang bor maksimal t.

Tekan tombol 9 pada gagang tambahan dan pasang pembatas kedalaman lubang ke dalam gagang tambahan 11 sedemikian, sehingga sisi yang bergerigi dari pembatas kedalaman lubang menghadap ke bawah.

Dorongkan alat kerja SDS-plus ke dalam pegangan alat kerja 1 sampai batas. Alat kerja SDS yang bergoyang bisa menyebabkan penyeteran kedalaman lubang yang tidak betul.

Tariklah pembatas kedalaman lubang ke luar sedemikian, sehingga jarak antara ujung mata bor dan ujung pembatas kedalaman lubang adalah kedalaman lubang bor t yang diperlukan.

Penghisapan debu dengan „Saugfix“ (Aksesoris)

Untuk penghisapan debu diperlukan sarana „Saugfix“ (aksesoris). Pada waktu pekerjaan membor „Saugfix“ kembali dengan sendirinya, sehingga kepala „Saugfix“ selalu dekat pada permukaan benda yang dikerjakan.

Tekan tombol 9 pada gagang tambahan dan lepaskan pembatas kedalaman lubang 10. Tekan tombol 9 sekali lagi dan pasang Saugfix ke dalam gagang tambahan 11 dari depan (lihat gambar E).

Kedalaman lubang bor maksimal t juga bisa disetel jika Saugfix terpasang. Untuk itu mesin diletakkan pada permukaan benda yang hendak dikerjakan secara mantap, tanpa menghidupkan mesin, sehingga mata bor berada tegak lurus pada permukaan benda yang hendak dikerjakan. Bacalah nilai-nilai pada skala dari Saugfix dan tambahkan pada nilai ini kedalaman lubang bor t yang dikehendaki.

Lepaskan sekrup bergerigi pada pembatas kedalaman lubang dari penghisap „Saugfix“ dan dorongkan pembatas kedalaman lubang sampai nilai yang dihitung. Setelah itu sekrup bergerigi pada pembatas kedalaman lubang dikencangkan kembali.

Sambungkan satu slang penghisapan (Ø 19 mm, aksesoris) pada lubang penghisapan dari „Saugfix“.

Mesin penghisap debu (misalnya GAS...) harus cocok untuk menghisap bahan yang dikerjakan.

Untuk menghisap debu-debu yang sangat merugikan kesehatan, yang dapat mengakibatkan penyakit kanker dan yang kering, harus digunakan mesin penghisap yang khusus.

Cara penggunaan

Perhatikan tegangan listrik!

Tegangan listrik yang tercantum dalam label tipe mesin harus sesuai dengan tegangan jaringan listrik. Jika pada label tipe mesin tercantum 230 V, mesin juga bisa dipakai pada jaringan dengan 220 V.

Menyetel macam fungsi

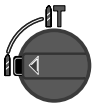
Dengan sakelar penukar cara berfungsi **7** bisa disetelkan macam fungsi dari mesin.

Tukarkan cara berfungsi mesin hanya jika mesin dalam penyetelan mati! Jika tidak, mesin bisa menjadi rusak.

Untuk menukar macam fungsi, tekan knop pelepas kunci **8** dan putarkan sakelar penukar cara berfungsi **7** ke posisi yang dikehendaki hingga jelas terdengar bahwa sakelar terkunci.



Untuk mengebor dengan hamering pada beton atau batu dan untuk memahat.



Untuk mengebor pada baja atau kayu, untuk menyekrup dan mentap.

Menyetel arah putaran (GBH 2-22 RE)

Dengan knop pengatur arah putaran ke kanan/kiri **4** arah putaran dari mesin bisa diganti (lihat gambar **F**).

Putaran ke kanan:

Putarkan knop pengatur arah putaran ke kanan/kiri **4** pada kedua sisi ke posisi **←**.

Putaran ke kiri:

Putarkan knop pengatur arah putaran ke kanan/kiri **4** pada kedua sisi ke posisi **→**.

Cara menghidupkan dan mematikan mesin

Untuk **menghidupkan** mesin, tekan tombol untuk menghidupkan dan mematikan mesin **6**.

Untuk **mengunci** mesin, tekan tombol **6** dan kuncikan dengan cara menekan knop pengunci **5**.

Untuk **mematikan** mesin, lepaskan tombol **6**. Jika tombol **6** terkunci, tekan dahulu tombol ini dan kemudian baru dilepaskan.

Menyetel kecepatan putaran (GBH 2-22 E/GBH 2-22 RE)

Kecepatan putaran bisa disetelkan tanpa tingkatan dengan cara menambah atau mengurangi tekanan pada tombol untuk menghidupkan dan mematikan mesin **6** selama mesin hidup.

Kecepatan putaran yang lebih rendah cocok untuk mulai pemboran (misalnya pada permukaan yang licin seperti tegel), menghindarkan mata bor tergeser pada waktu mulai pemboran atau lubang bor pecah.

Bidang setelan putaran yang dianjurkan:

- kecepatan putaran tinggi untuk mengebor dengan hamering di beton atau batu serta untuk memahat,
- kecepatan putaran tinggi untuk mengebor di baja,
- kecepatan putaran sedang untuk mengebor di kayu,
- kecepatan putaran rendah untuk menyekrup dan mentap.

Petunjuk-petunjuk untuk pemakaian

Memahat

Untuk pekerjaan memahat diperlukan adapter SDS-plus untuk pahat MV 200 (aksesori) yang dipasangkan pada pegangan alat kerja.

Bekerja dengan alat-alat kerja tanpa SDS-plus. Janganlah menggunakan alat-alat kerja tanpa SDS-plus untuk membor dengan hamering! Alat-alat kerja tanpa SDS-plus dan pegangannya (mis. cekaman mata bor) dirusakkan selama membor dengan hamering.

Putarkan sakelar penukar cara berfungsi **7** ke posisi **7** jika bekerja dengan alat-alat kerja tanpa SDS-plus.

Mengebor

Untuk bekerja dengan alat-alat kerja tanpa SDS-plus (misalnya mata bor dengan gagang berbentuk silinder) harus dipasangkan cekaman mata bor yang cocok.

Sekrupkan batang cekaman mata bor SDS-plus **14** (aksesori) dalam satu cekaman mata bor pakai kunci bergigi atau cekaman mata bor yang dikunci dan dibuka dengan tangan (lihat gambar **G**).

Bersihkan batang cekaman mata bor sebelum memasangkannya dan lumasi sedikit ujung pegangannya.

Pasangkan cekaman mata bor yang sudah dirakit **15** dengan batang ke dalam pegangan alat kerja **1** dengan cara memutarnya sampai mengancing (lihat gambar **G**).

Batang cekaman mata bor mengancing sendiri. Periksalah penguncian dengan cara menarik cekaman mata bor.

Untuk melepaskan cekaman mata bor **15**, tarik selubung pengunci **3** ke belakang, tahan selubung dalam posisi ini dan lepaskan cekaman mata bor dari pegangan alat kerja.

Menyekrup

Untuk penggunaan mata obeng bits diperlukan pemegang mata obeng bit dengan batang SDS-plus **16** (aksesori).

Bersihkan batang cekaman mata bor sebelum memasangkannya dan lumasi sedikit ujung pegangannya.

Pasangkan pemegang mata obeng bit **16** dalam pegangan alat kerja **1** dengan cara memutarnya sampai mengancing (lihat gambar **H**).

Pemegang mata obeng bit mengancing sendiri. Periksalah penguncian dengan cara menarik pemegang mata obeng.

Pasangkan satu mata obeng bit dalam pemegang mata obeng.

Untuk melepaskan pemegang mata obeng bit **16**, tarik selubung pengunci **3** ke belakang, tahan selubung dalam posisi ini dan lepaskan pemegang mata obeng dari pegangan alat kerja.

4 RAWATAN DAN SERVIS

Rawatan

Sebelum memulai semua pekerjaan pada mesin, tariklah steker dari stopkontak.

Mesin dan lubang ventilasi harus selalu bersih.

Bersihkan pegangan alat kerja setelah setiap penggunaan.

Mengganti kap pelindung debu

Gantikan segera kap pelindung debu **2** yang rusak. Jika kap pelindung debu rusak, debu bisa masuk ke dalam pegangan alat kerja dan mengakibatkan mesin terganggu fungsinya.

Biarkan kap pelindung debu digantikan oleh satu Service Center Bosch.

Jika pada suatu waktu mesin ini tidak bisa berjalan meskipun mesin telah diproduksi dan diperiksa dengan teliti, maka reparasinya harus dilakukan oleh Service Center perkakas listrik Bosch yang sah.

Jika Anda hendak menanyakan sesuatu atau jika Anda hendak memesan suku cadang, sebutkan selalu nomor model yang terdiri dari 10 angka yang tercantum pada label tipe mesin.

Servis

Hubungilah selalu agen Bosch dalam hal garansi, reparasi dan pembelian suku cadang.

Indonesia

P. T. Multi Tehaka
Karang Anyar Permai Block B-24
Jl. Karang Anyar No. 55
Jakarta Pusat 10740
Indonesia

Tel. +62 (0)21/659 5222 (5 lines)

Fax +62 (0)21/659 5252-3

E-Mail: sales@bosch.co.id

www.bosch.co.id

Cara membuang

Mesin, aksesori dan kemasan sebaiknya didaur ulang sesuai dengan usaha melestarikan alam.

Petunjuk-petunjuk ini dicetak memakai kertas recycling yang diproduksi tanpa chlor.

Untuk memudahkan usaha daur ulang, pada bahan-bahan plastik ada tulisan tentang macam bahannya.

Bisa berubah sewaktu-waktu

1 HƯỚNG DẪN AN TOÀN ĐẶC BIỆT CHO MÁY

ĐỐI VỚI MÁY KHOAN BÚA



Quý vị chỉ có thể sử dụng máy được an toàn khi đọc kỹ các hướng dẫn an toàn và nghiêm chỉnh tuân theo các hướng dẫn nêu trong sách.

Ngoài ra còn phải tuân theo hướng dẫn an toàn chung ghi trong cuốn sách được kèm theo.

Quý vị cần được chỉ dẫn cách dùng trước khi sử dụng máy lần đầu tiên.



Để tránh tai bị hư hại phải mang đồ bảo vệ tai.

Đeo kính bảo vệ an toàn.

Đeo bộ phận bảo vệ tóc nếu tóc dài. Chỉ mặc quần áo bó sát trong lúc làm việc.

Bụi bặm gây ra trong lúc làm việc có thể sẽ làm hại cho sức khỏe, dễ cháy và dễ nổ. Cần phải có biện pháp bảo vệ thích hợp.

Thí dụ: Nhiều loại bụi được xem như là chất gây ra ung thư. Dùng máy/thiết bị hút bụi thích hợp và đeo khẩu trang.

Bụi của kim loại nhẹ có thể cháy hoặc nổ. Luôn luôn giữ gìn nơi làm việc sạch sẽ bởi vì vật liệu hỗn tạp thì đặc biệt nguy hiểm.

Nếu trong khi làm việc mà dây điện bị hư hại hoặc bị đứt ra thì không được sờ vào dây điện mà phải rút ngay phích cắm ra. Tuyệt đối không được sử dụng máy có dây điện bị hư hỏng.

Những máy sử dụng ngoài trời nên cho chạy qua công tắc bảo vệ điện (FI) có mức ngắt điện tối đa là 30 mA. Không sử dụng máy lúc trời mưa hoặc ẩm ướt.

Dây điện phải luôn được cho ra phía sau máy.

Quý vị hãy dùng máy dò thích hợp để tìm những đường dây điện hoặc ống ngầm hoặc quý vị hãy hỏi ý kiến công ty cung cấp địa phương. Chạm vào dây dẫn điện có thể gây ra hỏa hoạn hoặc điện giật. Sự thiệt hại ống dẫn ga có thể gây ra phát nổ. Khoan vào ống dẫn nước sẽ gây ra thiệt hại đồ vật hoặc có thể gây ra điện giật.

Quý vị chỉ sử dụng máy của quý vị bằng tay cầm phụ 11.

Quý vị hãy giữ cho chặt sản phẩm. Dùng thiết bị để giữ căng hoặc mở quạp ê tô để giữ sản phẩm thì chắc chắn hơn là dùng tay quý vị để giữ.

Chỉ đặt máy lên đai ốc/bù lông trong tình trạng tắt máy.

Cẩn thận khi vận bù lông dài, có nguy cơ bị trượt.

Khi làm việc phải giữ máy thật chắc bằng hai tay và phải chú ý đứng sao cho vững.

Luôn luôn tắt máy và chờ đợi cho đến khi máy ngừng hẳn trước khi đặt máy xuống.

Không bao giờ cho phép trẻ em sử dụng máy.

Bosch chỉ có thể đảm bảo được sự hoạt động hoàn hảo của máy nếu máy này sử dụng đồ phụ tùng chính gốc như đã quy định.

Trục quá tải

Nếu máy khoan bị kẹt hoặc bị vướng thì lực dẫn đến trục khoan sẽ bị ngắt. Vì lực mạnh gây ra nên quý vị hãy luôn **luôn cầm chắc máy bằng hai tay và đứng cho vững.**

2 MÔ TẢ CHỨC NĂNG

Mô tả tính năng máy

| Búa khoan | GBH 2-22 S PROFESSIONAL | GBH 2-22 E PROFESSIONAL | GBH 2-22 RE PROFESSIONAL |
|--|------------------------------|------------------------------|------------------------------|
| Mã số đặt hàng | 0 611 250 0.. | 0 611 250 6.. | 0 611 250 7.. |
| Điều chỉnh số vòng quay | – | ● | ● |
| Quay chiều bên phải/quay chiều bên trái | – | – | ● |
| Công suất thu vào [W] | 620 | 620 | 620 |
| Công suất phát ra [W] | 280 | 280 | 280 |
| Số lượng đập [min ⁻¹] | 4400 | 0 ... 4400 | 0 ... 4400 |
| Độ mạnh mỗi cú đập [J] | 2,2 | 2,2 | 2,2 |
| Số vòng quay chỉ định | | | |
| Quay chiều bên phải [min ⁻¹] | 1000 | 0 ... 1000 | 0 ... 1000 |
| Quay chiều bên trái [min ⁻¹] | – | – | 0 ... 1000 |
| Chỗ gắn dụng cụ SDS-plus | ● | ● | ● |
| Cổ xoắn [mm] | 43 (Theo tiêu chuẩn Âu châu) | 43 (Theo tiêu chuẩn Âu châu) | 43 (Theo tiêu chuẩn Âu châu) |
| Đường kính lỗ khoan (tối đa): | | | |
| Tường đá (khoan rỗng) [mm] | 68 | 68 | 68 |
| Bê tông [mm] | 22 | 22 | 22 |
| Gỗ [mm] | 30 | 30 | 30 |
| Thép [mm] | 13 | 13 | 13 |
| Trọng lượng (không kể đồ phụ tùng) khoảng [kg] | 2,3 | 2,3 | 2,3 |
| Cấp độ an toàn | ☐ / II | ☐ / II | ☐ / II |

Yêu cầu quý vị hãy chú ý đến mã số đặt hàng của máy quý vị, tên thương mại của từng loại máy có thể thay đổi.

Thông tin về độ ồn và độ rung

Trị số đo theo tiêu chuẩn EN 50 144.

Độ ồn âm thanh hạng A của máy thông thường là:

Sức ép âm thanh 90 dB(A);

Công suất âm thanh 103 dB(A).

Phải đeo đồ bảo vệ tai!

Độ gia tốc tiêu biểu là 12 m/s².

Sử dụng Quy định

Máy được dùng để khoan búa vào bê tông, gạch ngói và đá tảng. Máy ngoài ra cũng thích hợp để khoan thường vào gỗ, kim loại, đồ sứ và đồ nhựa. Những máy được điều khiển điện tử và có vòng quay phải/trái cũng thích hợp để dùng mở xiết ốc và làm răng cửa đinh ốc.

Chỉ danh chi tiết máy

Việc đánh số của những bộ phận trong máy phù hợp với hình của máy trên trang gập.

- 1 Chỗ gắn dụng cụ (SDS-plus)
- 2 Nắp chống bụi
- 3 Ổ để khóa
- 4 Nút chỉnh chiều quay qua phải-quả trái
- 5 Nút bắt cứng
- 6 Công tắc Mở-Tắt
- 7 Nút chỉnh các chức năng
- 8 Nút mở chốt
- 9 Nút nơi cầm tay cầm phụ
- 10 Nút chỉnh mục độ sâu của mũi khoan
- 11 Tay cầm phụ
- 12 Máy hút nhanh gọn*
- 13 Ổ cặp mũi khoan*
- 14 Cần nối ổ cặp mũi khoan*
- 15 Ổ cặp mũi khoan đã lắp sẵn*
- 16 Cần giữ tổng hợp bộ khóa mở ốc*

* Một số phụ tùng được minh họa hay mô tả không được giao kèm theo máy.

3 SỰ HOẠT ĐỘNG

Kiểm tra trước khi sử dụng máy

Tay cầm phụ (Xem hình A)

Quý vị chỉ sử dụng máy của quý vị bằng tay cầm phụ 11.

Quý vị có thể xoay cán tay cầm phụ 11 theo như ý muốn để có được tư thế làm việc an toàn và ít mệt mỏi.

Quý vị hãy vận lỏng cán tay cầm phụ 11 ngược theo chiều kim đồng hồ và xoay cán này đến vị trí mong muốn. Sau đó quý vị hãy vận chặt trở lại cán tay cầm phụ 11 theo chiều kim đồng hồ.

Chọn lựa công cụ

Để khoan búa và đục đẽo (chỉ dùng với phụ tùng MV 200) quý vị phải dùng công cụ SDS-plus gắn vào ổ cặp mũi khoan-SDS của máy (xem phần công cụ SDS-plus).

Để khoan vào thép hoặc gỗ, để vận ốc và làm răng ốc người ta sử dụng công cụ không có SDS-plus (thí dụ như mũi khoan với trục nối xy-lanh). Quý vị cần một ổ cặp mũi khoan đặc biệt cho những công cụ này (xem phần làm việc với công cụ không có SDS-plus).

Trong lúc thay công cụ quý vị hãy chú ý sao cho nắp chống bụi 2 không bị hư hại.

Dụng cụ SDS-plus

Dụng cụ SDS-plus có thể di chuyển tự do. Do đó khi bật máy lên mà để không sẽ xuất hiện sự lệch hướng theo hình tròn. Khi khoan, độ sai lệch này sẽ tự hướng tâm. Điều này không làm ảnh hưởng gì đến độ chính xác của lỗ khoan.

Gắn công cụ SDS-plus (Xem hình B)

Quý vị hãy làm sạch công cụ trước khi gắn vào máy và quý vị hãy bôi trơn một ít nơi đầu cắm.

Quý vị vừa xoay vừa đẩy công cụ vào nơi ổ chứa dụng cụ 1 cho đến khi nào ăn vào khớp.

Công cụ sẽ tự động khóa lại. Quý vị hãy kiểm tra lại xem đã khóa chưa bằng cách kéo vào dụng cụ.

Tháo công cụ SDS-plus (Xem hình C)

Quý vị hãy kéo ổ khóa 3 về phía sau (a), quý vị hãy giữ nó lại ở vị trí này và lấy công cụ ra khỏi ổ chứa công cụ (b).

Điều chỉnh độ sâu mũi khoan (Xem hình D)

Độ sâu tối đa của mũi khoan t có thể ấn định được bằng cần chỉnh độ sâu 10.

Quý vị hãy nhấn vào nút 9 của cán tay cầm phụ và gắn cần chỉnh độ sâu vào cán tay cầm phụ 11 sao cho mặt có khứa rãnh của cần chỉnh độ sâu quay xuống dưới.

Quý vị hãy đẩy công cụ SDS-plus sát hết cỡ vào ổ chứa công cụ 1. Nếu không thì sự xô dịch của công cụ SDS-plus có thể sẽ khiến cho việc điều chỉnh độ sâu của mũi khoan bị sai lệch.

Quý vị hãy kéo cần chỉnh độ sâu ra phía ngoài để sao cho khoảng cách giữa mũi nhọn của mũi khoan và mũi nhọn của cần chỉnh độ sâu tương đương với độ sâu t mong muốn của lỗ khoan.

Hút bụi bằng máy hút nhanh gọn (Phụ tùng)

Cần phải có một máy hút nhanh gọn (phụ tùng) để hút bụi. Máy hút nhanh gọn sẽ co lại trong lúc khoan và vì thế đầu của máy hút nhanh gọn luôn luôn được giữ nằm sát nơi đáy.

Quý vị hãy nhấn vào nút 9 của cán tay cầm phụ và lấy cần chỉnh độ sâu 10 ra. Quý vị hãy nhấn trở lại vào nút 9 và gắn máy hút nhanh gọn vào cán tay cầm phụ 11 từ phía trước (Xem hình E).

Quý vị cũng có thể ấn định được độ sâu tối đa t của mũi khoan mặc dù đã gắn máy hút nhanh gọn. Trước hết quý vị hãy đặt máy nằm vững chắc trên nền và không mở máy để cho lưới چرا cũng nằm trên nền. Quý vị hãy đọc trị số nơi bảng chia độ của máy hút nhanh gọn và quý vị hãy cộng trị số này với độ sâu của mũi khoan t mong muốn.

Quý vị hãy nói lỏng ốc cạnh có khóa nơi cần chỉnh độ sâu của máy hút nhanh gọn và quý vị hãy đẩy cần chỉnh độ sâu đến trị số đã tính. Sau đó quý vị hãy vận cứng trở lại ốc cạnh có khóa nơi cần chỉnh độ sâu.

Quý vị hãy gắn vòi hút (Ø 19 mm, phụ tùng) vào lỗ hút của máy hút nhanh gọn.

Máy hút bụi (thí dụ như GAS...) phải thích hợp với nguyên liệu được xử lý.

Phải dùng máy hút đặc biệt để hút những bụi khô, đặc biệt nguy hại cho sức khỏe, gây ra ung thư.

Vận hành máy

Phải chú ý đến điện thế.

Điện áp chỉ định ghi trên lắc máy phải phù hợp với điện áp nguồn cung cấp cho máy.

Máy có điện áp 230 v có thể sử dụng nguồn điện 220 v.

Điều chỉnh các chức năng

Quý vị hãy điều chỉnh các chức năng của máy bằng công tắc chỉnh các chức năng 7.

Quý vị chỉ thay đổi chức năng lúc đã tắt máy! Nếu không máy có thể sẽ bị hư hại.

Để thay đổi chức năng quý vị hãy nhấn vào nút mở khóa **8** và vận công tắc chỉnh các chức năng **7** đến vị trí mong muốn cho đến khi nào nghe rõ tiếng đã ăn vào khớp.



Để khoan búa vào Bê tông hoặc vào đá hoặc dùng để đục đẽo.



Để khoan vào thép hoặc gỗ, để vận ốc và làm răng ốc.

Điều chỉnh hướng quay (GBH 2-22 RE)

Quý vị có thể thay đổi hướng quay của máy bằng nút chỉnh chiều quay phải-trái **4** (Xem hình **F**).

Quy chiều bên phải:

Quý vị hãy vận nút chỉnh chiều quay phải-trái **4** ở hai bên đến vị trí **→**.

Quy chiều bên trái:

Quý vị hãy vận nút chỉnh chiều quay phải-trái **4** ở hai bên đến vị trí **←**.

Công tắc bật tắt

Để **mở** máy quý vị hãy nhấn vào công tắc Mở-Tắt **6**.

Để **bắt cứng** lại quý vị hãy nhấn vào công tắc Mở-Tắt **6** và gài cứng nó lại bằng cách nhấn vào nút bắt cứng **5**.

Để **tắt máy** quý vị hãy buông công tắc Mở-Tắt **6** ra. Trong trường hợp gài cứng công tắc Mở-Tắt **6** thì trước hết quý vị hãy nhấn vào nó rồi sau đó hãy buông nó ra.

Chỉnh vòng quay (GBH 2-22 E/GBH 2-22 RE)

Trong lúc máy đang mở, quý vị có thể điều chỉnh được vòng quay của máy một cách liên tục bằng cách tăng thêm hoặc giảm bớt đi sức nhấn vào công tắc Mở-Tắt **6**.

Giảm đi vòng quay của máy sẽ khiến cho dễ dàng trong việc khoan mũi (thí dụ như khoan trên mặt trơn trượt như gạch men), làm giảm đi việc mũi khoan bị trượt đi trong lúc khoan mũi hoặc toác lỗ khoan.

Phạm vi vòng quay khuyến nên sử dụng:

- vòng quay nhanh để khoan búa vào bê tông hoặc đá cũng như để đục đẽo,
- vòng quay nhanh để khoan vào thép,
- vòng quay trung bình để khoan vào gỗ,
- vòng quay chậm để vận ốc và làm răng ốc.

Hướng dẫn hoạt động

Đục đẽo

Để đục đẽo quý vị cần phải gắn vào ổ chứa công cụ một bộ ghá đục cho bộ phận SDS-plus MV 200 (phụ tùng).

Làm việc bằng công cụ không có SDS-plus

Quý vị không sử dụng công cụ không có SDS-plus để khoan búa! Công cụ không có SDS-plus và ổ chứa của nó (thí dụ như ổ cặp mũi khoan) sẽ bị hư hại trong lúc khoan búa.

Khi làm việc bằng công cụ không có SDS-plus quý vị hãy vận công tắc chỉnh các chức năng **7** đến vị trí **↑**.

Khoan

Để có thể làm việc bằng công cụ không có SDS-plus (thí dụ như mũi khoan với trục nối xy-lanh) cần phải dùng một ổ cặp mũi khoan thích hợp.

Quý vị hãy vận trục nối ổ chứa SDS-plus **14** (phụ tùng) vào ổ chứa vòng răng cửa hoặc ổ chứa mũi khoan căng nhanh **13** (Xem hình **G**).

Quý vị hãy làm sạch trục nối ổ chứa trước khi gắn vào máy và quý vị hãy bôi trơn một ít nơi đầu cắm.

Quý vị hãy gắn vào ổ chứa dụng cụ **1** ổ cặp mũi khoan **15** đã được bắt chung với trục nối bằng cách vừa xoay vừa đẩy cho đến khi ăn vào khớp (Xem hình **G**).

Trục nối ổ chứa sẽ tự động khóa lại. Quý vị hãy kiểm tra lại xem đã khóa chưa bằng cách kéo nơi ổ chứa mũi khoan.

Để lấy ra ổ chứa mũi khoan **15** quý vị hãy kéo ổ khóa **3** về phía sau, quý vị hãy giữ nó lại ở vị trí này và lấy ổ chứa mũi khoan ra khỏi ổ chứa công cụ.

Bắt ốc

Để sử dụng bộ khóa mở ốc quý vị cần một cần giữ tổng hợp có trục nối ổ chứa SDS-plus **16** (phụ tùng).

Quý vị hãy làm sạch trục nối ổ chứa trước khi gắn vào máy và quý vị hãy bôi trơn một ít nơi đầu cắm.

Quý vị hãy gắn cần giữ tổng hợp **16** vào ổ chứa dụng cụ **1** bằng cách vừa xoay vừa đẩy cho đến khi ăn vào khớp (Xem hình **H**).

Cần giữ tổng hợp sẽ tự động khóa lại. Quý vị hãy kiểm tra lại xem đã khóa chưa bằng cách kéo cần giữ tổng hợp.

Quý vị hãy cho khóa mở ốc vào cần giữ tổng hợp.

Để lấy ra cần giữ tổng hợp **16** quý vị hãy kéo ổ khóa **3** về phía sau, quý vị hãy giữ nó lại ở vị trí này và lấy cần giữ tổng hợp ra khỏi ổ chứa công cụ.

4 BẢO TRÌ VÀ PHỤC VỤ

Bảo trì

Rút phích cắm ra khỏi ổ cắm trước khi thực hiện bất kỳ công việc gì trên máy.

Để an toàn và vận hành tốt phải thường xuyên chùi sạch máy và các khe thông gió.

Quý vị hãy làm sạch ổ chứa công cụ sau mỗi lần sử dụng.

Thay nắp chống bụi

Quý vị hãy kịp thời thay nắp chống bụi **2** khi nó bị hư hại. Nếu nắp chống bụi bị hư hại thì bụi bặm sẽ lọt được vào trong ổ chứa công cụ và gây nên sự trở ngại hoạt động.

Quý vị hãy để cho trạm phục vụ khách hàng thay nắp chống bụi.

Mặc dù máy đã được chế tạo và kiểm nghiệm nghiêm ngặt, nhưng nếu trong trường hợp máy bị hư hỏng, mọi sửa chữa phải do các nhân viên bảo hành dụng cụ điện của Bosch thực hiện.

Quý vị hãy ghi rõ 10 số của mã số đặt hàng theo như bảng chữ số của máy trong mọi trường hợp giao dịch hay đặt hàng phụ tùng thay thế.

Phục vụ

Văn phòng Đại Diện Thương trú
Cty Robert Bosch (Đông Nam Á)
Trung tâm Thương mại Tecasin, L.2
243-243B Hoàng Văn Thụ, P.1
Q. Tân Bình, Tp. Hồ Chí Minh
Việt Nam

☎ +84 8/847 87 64

Fax +84 8/847 83 28

Phế thải

Máy, phụ tùng và bao bì phải được phân loại để tái sinh vì mục đích bảo vệ môi trường.

Sách hướng dẫn này được in trên giấy tái sinh không dùng chất Clor trong quy trình sản xuất giấy.

Các bộ phận bằng nhựa của máy được dán nhãn để phân hạng tái sinh.

Có thể có thay đổi

4 الصيانة والخدمة

التخلص من المراكم

يجب التخلص من الجهاز والتوابع والغلاف بطريقة منصفة للبيئة عن طريق النفايات القابلة لإعادة التصنيع.

لقد صُنعت هذه الكراسي من الورق المُعاد تصنيعه والخالي من الكلور.

تحمل الأجزاء المصنوعة من اللدائن علامة بذلك لإعادة تصنيع الأنواع النقية.

نحتفظ بحق إدخال التعديلات

الصيانة

اسحب القابس من المقبس قبل إجراء أي تعديل على الجهاز. حافظ دائماً على نظافة الجهاز وشقوق التهوية من أجل الشغل بشكل جيد وأمين.

نظف حاضن العدة بعد كل استعمال.

استبدال غطاء الوقاية من الغبار

استبدل غطاء الوقاية من الغبار 2 في الوقت المناسب إن كان تالفاً. قد يتسرب الغبار إلى داخل حاضن العدة من خلال غطاء الوقاية من الغبار التالف ويؤدي إلى خلل بالتشغيل.

دع مركز خدمة الزبائن يقوم باستبدال غطاء الوقاية من الغبار.

عند حدوث أي خلل بالجهاز بالرغم من أنه قد صنع بعناية فائقة واجتاز اختبارات عديدة، يجب إصلاحه في مركز خدمة وكالة أجهزة بوش الكهربائية.

الرجاء ذكر رقم الطلب ذو المراتب العشر المذكور على لائحة نموذج الجهاز عند الاستشارة أو عند إرسال طلبات قطع الغيار.

الخدمة

الرجاء التوجه إلى التاجر المختص بما يتعلق بأمر الضمان والتصليح وتأمين قطع الغيار.

ضبط أنواع التشغيل

يتم اختيار نوع تشغيل الجهاز بواسطة مفتاح اختيار أنواع التشغيل 7.

غير نوع التشغيل فقط عندما يكون الجهاز مطفأً، وإلا فقد يتم إتلاف الجهاز.

لتغيير نوع التشغيل يضغط على زر فك الإقفال 8 ويبرم مفتاح اختيار أنواع التشغيل 7 إلى المركز المرغوب إلى أن يتعاشق بشكل مسموع.

من أجل التنقيب المرفق بالطرق في الخرسانة أو الصخر ومن أجل النحت.



من أجل التنقيب في الفولاذ أو الخشب، ومن أجل ربط اللوالب وقص أسنان اللولبة.

ضبط اتجاه الدوران (GBH 2-22 RE)

يمكنك أن تغير اتجاه دوران الجهاز بواسطة مفتاح الدوران اليميني/ اليساري 4 (انظر الصورة F).

دوران يميني: ابرم مفتاح الدوران اليميني/ اليساري 4 على الاتجاهين إلى المركز ←.

دوران يساري: ابرم مفتاح الدوران اليميني/ اليساري 4 على الاتجاهين إلى المركز →.

التشغيل والإطفاء

للتشغيل يضغط على مفتاح التشغيل والإطفاء 6. للتثبيت يضغط على مفتاح التشغيل والإطفاء 6 ثم يثبت من خلال الضغط على زر التثبيت 5.

للإطفاء يترك مفتاح التشغيل والإطفاء 6. إن كان مفتاح التشغيل والإطفاء 6 مثبتاً، فاضغط عليه أولاً ثم اتركه بعد ذلك.

ضبط عدد الدوران

(GBH 2-22 RE/GBH 2-22 E)

يمكنك أن تتحكم بعدد دوران الجهاز قيد التشغيل دون تدرج من خلال زيادة أو تخفيض الضغط على مفتاح التشغيل والإطفاء 6.

يسهل عدد دوران مخفض للجهاز بالبدئ بالتنقيب (على السطوح الملساء كالبلاط مثلاً)، ويمنع انزلاق المثقاب أو تشقق فجوة التنقيب عند بدئ التنقيب.

مجالات عدد الدوران التي ينصح بها:

- عدد دوران عالي للتنقيب المرفق بالطرق في الخرسانة أو الصخر وأيضاً للنحت،
- عدد دوران عالي للتنقيب في الفولاذ،
- عدد دوران متوسط للتنقيب في الخشب،
- عدد دوران منخفض لربط اللوالب ولقص أسنان اللولبة.

إرشادات عمل

النحت

من أجل النحت تحتاج إلى مقدمة نحت SDS-plus طراز MV200 (من التوابع) والتي يتم تركيبها على حاضن العدة.

الشغل بعدد دون SDS-plus

لا تستخدم العدد دون SDS-plus من أجل التنقيب المرفق بالطرق؛ يتم إتلاف العدد دون SDS-plus وحاضنها (مثلاً: ظرف المثقاب) أثناء التنقيب المرفق بالطرق.

ابرم مفتاح اختيار أنواع التشغيل 7 إلى المركز 8 عند الشغل بعدد دون SDS-plus.

التنقيب

يجب أن يتم تركيب ظرف مثقاب مناسب من أجل التمكن من العمل بالعدد دون SDS-plus (مثلاً: لقم تنقيب بساق اسطوانية).

ابرم ساق حوضن 14 SDS-plus (من التوابع) في ظرف مثقاب مسنن الطوق أو ظرف مثقاب سريع الشد 13 (انظر الصورة G).

نظف ساق الحوضن قبل التركيب وشحّم نهاية التلقيم قليلاً. ادفع ظرف المثقاب المركب 15 مع ساق الحوضن إلى داخل حاضن العدة 1 بتدويره إلى أن يتعاشق (انظر الصورة G).

تقفل ساق الحوضن من تلقاء نفسها. تفحص إحكام الإقفال من خلال سحب ظرف المثقاب.

من أجل نزع ظرف المثقاب 15 ينبغي أن تسحب لببسة الإقفال 3 إلى الخلف وأن تحكم القبض عليها في هذا الوضع ثم تنزع ظرف المثقاب من حاضن العدة.

ربط اللوالب

لاستخدام لقم ربط اللوالب تحتاج إلى حامل عام مع ساق 16 SDS-plus (من التوابع).

نظف ساق الحوضن قبل التركيب وشحّم نهاية التلقيم قليلاً. ركب الحامل العام 16 في حاضن العدة 1 ببرمه إلى أن يتعاشق (انظر الصورة H).

يقفل الحامل العام من تلقاء نفسه. تفحص إحكام الإقفال من خلال سحب الحامل العام.

ركب لقم ربط اللوالب في الحامل العام.

من أجل نزع الحامل العام 16 ينبغي أن تسحب لببسة الإقفال 3 إلى الخلف وأن تحكم القبض عليها في هذا الوضع ثم تنزع الحامل العام من حاضن العدة.

3 التشغيل

ادفع عدة SDS-plus إلى داخل حاضن العدة 1 حتى المصادمة. وإلا فإن مرونة حركة عدة SDS-plus قد تؤدي إلى ضبط عمق التثقيب بشكل خاطئ. اسحب محدد العمق خارجاً إلى أن يتوافق البعد بين رأس لقمة التثقيب ورأس محدد العمق مع عمق التثقيب المرغوب t.

شفط الغبار مع مثبت الشفط (توابع)

تحتاج لمثبت الشفط (من التوابع) من أجل شفط الغبار. يرتد مثبت الشفط أثناء التثقيب مما يحافظ على بقاء رأس مثبت الشفط دوماً على مقربة من السطح.

اضغط على الزر 9 بالمقبض الإضافي وانزع محدد العمق 10. اضغط على الزر 9 مرة ثانية وركب مثبت الشفط من الأمام في المقبض الإضافي 11 (انظر الصورة E).

يمكنك أن تحدد عمق التثقيب الأقصى t حتى لو كان مثبت الشفط مركباً. لتنفيذ ذلك يتم تركيز الجهاز على السطح بإحكام دون تشغيله بحيث تتلامس لقمة التثقيب مع السطح. اقرأ قيمة المقياس على مقياس مثبت الشفط وأضف عمق التثقيب المرغوب t إلى هذه القيمة.

حلّ اللولب المحرز على محدد العمق بمثبت الشفط وادفع محدد العمق على القيمة المحسوبة. أعد إحكام شدّ اللولب المحرز على محدد العمق بعد ذلك.

صل خرطوم شفط (بقطر 19م، من التوابع) بفتحة الشفط على مثبت الشفط.

يجب أن تكون شافطة الغبار الخوائية (مثلاً: GAS...) ملائمة لاستخدامها مع المادة المراد معالجتها.

ينبغي استعمال شافطة غبار خوائية خاصة عند شفط الأغبرة الجافة المضرة بالصحة بشكل كبير والمسببة للسرطان.

قبل التشغيل

مقبض إضافي (انظر الصورة A)

استخدم جهازك فقط بالمقبض الإضافي 11.

يمكن أرجحة المقبض الإضافي 11 بالشكل المرغوب من أجل التوصل إلى وضعية عمل آمنة وقليلة الإجهاد.

حلّ المقبض الإضافي 11 بعكس اتجاه حركة عقارب الساعة وأرجحه إلى المركز المرغوب. أعد إحكام شدّ المقبض الإضافي 11 بعد ذلك ببرمه باتجاه حركة عقارب الساعة.

اختيار العدد

تحتاج إلى عدد الـ SDS-plus من أجل النحت والتثقيب المرفق بالطرق (مع التوابع 200 MV فقط) والتي يتم تلقيها في ظرف المثقاب SDS بالجهاز (يراجع "عدة SDS-plus").

تستخدم عدد دون SDS-plus (مثلاً: لقم تثقيب بساق اسطوانية) من أجل تثقيب الفولاذ أو الخشب ولأجل ربط اللولب وقص أسنان اللولبة. إنك بحاجة إلى ظرف مثقاب خاص لأجل هذه العدد (يراجع "الشغل بعدد دون SDS-plus").

انتبه إلى عدم إتلاف غطاء الوقاية من الغبار 2 أثناء استبدال العدد.

عدة SDS-plus

لقد صُممت عدة SDS-plus بحيث تكون طليقة الحركة. يؤدي ذلك إلى انحراف دوراني عند الدوران اللاحملي، وهذا الانحراف يتمركز من تلقاء نفسه عند التثقيب. لا يؤثر ذلك على دقة الثقب.

تركيب عدد SDS-plus (انظر الصورة B)

نظف العدة قبل تركيبها وشحّم نهاية التلقيم قليلاً.

ادفع العدة إلى داخل حاضن العدة 1 بتدويرها إلى أن تتعاشق.

تقفل العدة من تلقاء نفسها. تفحص إحكام الإقفال من خلال سحب العدة.

نزع عدد SDS-plus (انظر الصورة C)

اسحب لبيسة الإقفال 3 إلى الخلف (a)، امسكها بهذا الوضع وانزع العدة من حاضن العدة (b).

ضبط عمق التثقيب (انظر الصورة D)

يمكن تحديد عمق التثقيب t الأقصى بواسطة محدد العمق 10. اضغط على الزر 9 بالمقبض الإضافي وركب محدد العمق في المقبض الإضافي 11 بحيث يدل الطرف المحرز لمحدد العمق إلى الأسفل.

التشغيل

انتبه إلى جهد الشبكة الكهربائية.

يجب أن يوافق جهد منبع التيار الكهربائي المعلومات المذكورة على لائحة نموذج الجهاز. يمكن تشغيل الأجهزة المحددة بـ 230 فولت بـ 220 فولت أيضاً.

2 وصف الأداة

مواصفات الجهاز

| GBH 2-22 RE PROFESSIONAL | GBH 2-22 E PROFESSIONAL | GBH 2-22 S PROFESSIONAL | مطرقة تثقيب |
|-----------------------------|----------------------------|----------------------------|------------------------------------|
| 0 611 250 7.. | 0 611 250 6.. | 0 611 250 0.. | رقم الطلب |
| ● | ● | - | التحكم بعدد الدوران |
| ● | - | - | دوران يميني / يساري |
| 620 | 620 | 620 | القدرة المقننية [واط] |
| 280 | 280 | 280 | القدرة المعطاة [واط] |
| 4 440 ... 0 | 4 440 ... 0 | 4 400 | عدد الطرق [دقيقة ⁻¹] |
| 2,2 | 2,2 | 2,2 | قوة الطريقة المفردة [جول] |
| | | | عدد الدوران المقنن |
| 1 000 ... 0 | 1 000 ... 0 | 1 000 | دوران يميني [دقيقة ⁻¹] |
| 1 000 ... 0 | - | - | دوران يساري [دقيقة ⁻¹] |
| ● | ● | ● | حاضن العدة SDS-plus |
| 43 (عيار أوروبي) | 43 (عيار أوروبي) | 43 (عيار أوروبي) | Ø عنق محور الدوران [مم] |
| | | | قطر التثقيب (الأقصى) |
| 68 | 68 | 68 | جدران (لقمة تثقيب مجوفة) [مم] |
| 22 | 22 | 22 | الخرسانة [مم] |
| 30 | 30 | 30 | خشب [مم] |
| 13 | 13 | 13 | فولاذ [مم] |
| 2,3 | 2,3 | 2,3 | الوزن (دون توابع) التقريبي [كغ] |
| □ / II | □ / II | □ / II | فئة الوقاية |

يرجى مراعاة رقم طلب الجهاز، فإن التسميات التجارية لبعض الأجهزة قد تكون مختلفة.

أجزاء الجهاز

يستند ترقيم أجزاء الجهاز إلى صور الجهاز على الصفحة المثنية.

- 1 حاضن العدة (SDS-plus)
- 2 غطاء الوقاية من الغبار
- 3 لببسة الإقفال
- 4 مفتاح الدوران اليميني/اليساري
- 5 زر التثبيت
- 6 مفتاح التشغيل والإطفاء
- 7 مفتاح اختيار أنواع التشغيل
- 8 زر فك الإقفال
- 9 زر على المقبض الإضافي
- 10 محدد العمق
- 11 مقبض إضافي
- 12 مثبت الشفط*
- 13 ظرف المثقاب*
- 14 ساق ظرف المثقاب*
- 15 ظرف المثقاب المركب*
- 16 حامل عام للقمم وربط اللوالب*

* بعض التوابع الموجودة في الرسوم أو في الوصف ليست محتواة في التوريد العادي.

معلومات عن الضجيج والاهتزازات

تم تحديد قيم القياسات حسب EN 50 144.

قيمة مستوى ضجيج الجهاز (نوع A) تكون عادة:

مستوى ضغط الصوت 90 ديسيبل (نوع A)؛

مستوى قدرة الصوت 103 ديسيبل (نوع A).

استعمل واقية للأذنين!

قيمة التسارع تقدر عادة بـ 12 م\ثا².

الاستعمال المخصص

لقد خصص الجهاز للتثقيب المرفق بالطرق في الخرسانة

والطوب والصخور. كما أنه يصلح للتثقيب دون طرق في

الخشب والمعادن والخزف واللدائن.

وتصلح الأجهزة المجهزة بالتحكم الإلكتروني والدوران

اليميني/اليساري أيضاً لربط اللوالب ولقص أسنان اللوالب.

1 تعليمات أمان خاصة بالجهاز

لمطرفة التنقيب

احترس إلى تمرير السلك الكهربائي دائماً إلى خلف الجهاز. استخدم أجهزة التنقيب المناسبة للعثور على خطوط التمديد المخفية أو استعن بشركة الإمداد المحلية. قد يؤدي ملامسة التمديدات الكهربائية إلى اندلاع النار وإلى الصدمات الكهربائية. إتلاف خطوط الغاز قد يؤدي إلى حدوث انفجار. اختراق تمديدات المياه يسبب الضرر المادي أو قد يسبب صدمة كهربائية.

استخدم جهازك فقط بالمقبض الإضافي 11.

أمن قطعة الشغل. إن قطعة شغل مثبتة بتجهيزة شد أو مملزمة تكون قد ثبتت بأمان أكبر مما لو كان قد تم تثبيتها باليد.

ركز الجهاز على الصامولة/ اللولب فقط عندما يكون مطفاً. احترس من خطر الانزلاق عند ربط اللولب الطويلة.

اقبض دائماً على الجهاز أثناء الشغل بواسطة اليدين بإحكام وقف بثبات.

اطفئ الجهاز دائماً قبل وضعه جانباً وانتظر إلى أن يكون الجهاز قد توقف عن الحركة.

لا تسمح للأطفال أبدأ أن يستعملوا الجهاز.

يمكن لشركة بوش أن تضمن أداءً سليماً للجهاز فقط إن تم استعمال التوابع الأصلية المخصصة لهذا الجهاز.

قابض التحميل الزائد

يُفصل التحريك عن محور دوران المثقاب إذا انقمطت أو استعصت عدّة الثقب. اقبض على الجهاز دائماً بكلتا اليدين بإحكام وقف بثبات بسبب القوى الناتجة أثناء ذلك.

يمكنك فقط استعمال هذا الجهاز دون مخاطر إن قرأت كراسة الاستعمال وفقرة التعليمات من أجل سلامتك بشكل كامل ، واتبعت التعليمات التي تتضمنها بدقة. بالإضافة إلى ذلك يجب اتباع إرشادات الأمان العامة المذكورة في الكراسة المرفقة. دع أحداً يرشدك بشكل عملي قبل الاستعمال الأول.



يجب ارتداء واقية للأذنين لتجنب أضرار السمع.

ارتد نظارات واقية.

ارتد واقية للشعر إن كان شعرك طويل. اشتغل فقط مرتدياً الغياب الضيقة.



الأغبرة الناتجة أثناء العمل قد تكون ضارة بالصحة أو قابلة للاشتعال أو للانفجار. اتخاذ إجراءات الأمان المناسبة ضروري. مثلاً: تعتبر بعض الأغبرة مسببة للسرطان. استعمل شافطة ملائمة للغبار/للنشارة وارتد قناع للوقاية من الغبار.

أغبرة الفلزات الخفيفة قد تشتعل أو تنفجر. حافظ دائماً على نظافة مكان الشغل لأن امتزاج المواد خطير للغاية.

لا تلمس السلك الكهربائي إذا أصيب بعطب أثناء الشغل أو إذا قطع بل اسحب القابض من المقبس فوراً. لا تستعمل الجهاز إطلاقاً إذا كان السلك الكهربائي مصاب بخلل.

صل الأجهزة التي تستعمل في الخلاء عبر مفتاح واق من التيار المتخلف (FI) بتيار زبد 30 ميلي أمبير على الأقصى. لا تستخدم الجهاز أثناء هطول الأمطار أو في أجواء مبتلة.

پیچاندن پیچ

نگهدارندهٔ اونیورسال بطور اتومات گیرمیکند. با کشیدن نگهدارنده از جا افتادن آن مطمئن شوید.
یک پیچ گردان (بیت) در نگهدارندهٔ اونیورسال قرار دهید.
برای برداشتن نگهدارندهٔ اونیورسال 16 باید بوش قفل 3 را به عقب کشیده، آنرا در این حالت نگهداشته و نگهدارندهٔ اونیورسال را از ورودی ابزار بردارید.

برای استفاده از سر پیچ ها (بیت ها) باید از نگهدارندهٔ اونیورسال دارای میلهٔ SDS-plus شمارهٔ 16 (وسیلهٔ اضافی) استفاده کنید.

میلهٔ اتصال را قبل از قرار دادن تمیز کرده و ته آنرا کمی چرب کنید.

نگهدارندهٔ اونیورسال سرپیچ ها 16 را با چرخش در ورودی ابزار 1 قرار دهید، بطوریکه جا بیفتد (رجوع شود به تصویر H).

4 سرویس و مراقبت

سرویس

برای استفاده از ضمانت، تعمیر دستگاه و تهیه ابزاریدکی فقط به فروشنده متخصص مراجعه کنید.

سرویس

قبل از هرنوع کاری روی دستگاه دو شاخه را از برق بکشید. دستگاه و شیارهای تهویه را برای انجام کاری خطرومطمئن همیشه تمیزنگهدارید.

ورودی ابزار را بعد از هربار استفاده از دستگاه دوباره تمیز کنید.

تعویض کلاهک ضد غبار

کلاهک ضد غبار 2 را درصورت آسیب دیدن به موقع عوض کنید. اگر کلاهک ضد غبار آسیب دیده باشد، گرد و غبار به ورودی ابزار وارد شده و در کارکرد دستگاه اختلال ایجاد میکند.

دفع زباله

دستگاه، وسایل اضافی و بسته بندی آنرا با روشهای دفع زباله متناسب با محیط زیست از دور خارج کنید.

جزوه ای که در دست دارید، روی کاغذ بدون کلر که محصول تولید می باشد، چاپ شده است.
قطعات پلاستیکی دستگاه برای تولید مجدد مشخص شده اند.

حق هرگونه تغییری محفوظ است

برای تعویض کلاهک ضد غبار به مراکز سرویس و خدمات بعد از فروش مراجعه کنید.

درصورتیکه دستگاه با وجود دقت زیادی که در مراحل تولید و آزمایش صورت گرفته، از کار افتاد، باید برای تعمیر به یکی از تعمیرگاه های مجاز وسایل برقی بوش مراجعه کنید.

درصورتیکه دربارهٔ دستگاه سؤالی داشته باشید، باید حتماً شمارهٔ 10 رقمی سفارش را که روی برچسب دستگاه قید شده است، ذکر کنید.

تنظیم میزان دور موتور
(GBH 2-22 RE/GBH 2-22 E)

با زیاد و کم کردن فشار روی دکمه قطع و وصل 6 میتوان دور دستگاه را در حالت روشن بودن بطور دلخواه تنظیم کرد. راه اندازی دستگاه در دور پایین باعث میشود که مته ها (مثلاً روی سطح های صاف مانند کاشی) سر نخورده و سوراخ ترک بردارد.

اندازه های پیشنهادی برای دور موتور:

- دور بالا برای مته کاری چکشی در بتون و سنگ و همچنین تراشیدن و کوبیدن
- دور بالا برای مته کاری در فولاد
- دور متوسط برای مته کاری در چوب
- دور پایین برای پیچاندن پیچ و پیچ دار کردن مهره

به فشار برق در شبکه توجه کنید.

فشاربرق موجود در شبکه نباید از اندازه های قید شده روی برجسب دستگاه بیشتر باشد. دستگاه هائی که با ۲۳۰ ولت مشخص شده اند، با ۲۲۰ ولت نیز کار میکنند.

انتخاب نوع کار

با دکمه انتخاب نوع کار 7 میتوانید نوع کار دستگاه را انتخاب کنید.

نوع کار دستگاه را فقط موقع خاموش بودن دستگاه انتخاب کنید، چون در غیراینصورت ممکن است دستگاه خراب شود.

برای تغییر نوع کار باید دکمه ضامن 8 را فشار داده و دکمه انتخاب نوع کار 7 را به وضعیت مطلوب قرار دهید، بطوریکه صدای جا افتادن آن شنیده شود.

برای مته کاری چکشی در بتون و سنگ و تراشیدن



برای مته کاری در فولاد و یا چوب، برای پیچاندن پیچ و پیچ دار کردن مهره



راهنمایی های عملی

تراشیدن (کوبیدن)

برای تراشیدن و کوبیدن باید قلم تراش SDS-plus مدل MV 200 (وسیله اضافی) را در ورودی ابزار قرار دهید.

کار با ابزار غیر SDS-plus

از ابزار غیر SDS-plus برای مته کاری چکشی استفاده نکنید. ابزار غیر SDS-plus به ورودی ابزار (مثلاً صفحه نظام) هنگام مته کاری همراه با کوبیدن صدمه خواهند کرد. هنگام کار کردن با ابزار غیر SDS-plus دکمه انتخاب نوع کار 7 را روی حالت **F** قرار دهید.

مته کاری

برای کار کردن با ابزار غیر SDS-plus (مثلاً مته دارای میله استوانه ای) باید از صفحه نظام متناسب با آن استفاده شود.

میله اتصال SDS-plus شماره 14 (وسیله اضافی) را در یک صفحه نظام تاج دندان ای و یا صفحه نظام مته گیر سریع 13 به پیچانید (رجوع شود به تصویر **G**).

میله اتصال را قبل از قرار دادن تمیز کرده و ته آنرا کمی چرب کنید.

صفحه نظام مونتاژ شده 15 را با میله اتصال با چرخش در ورودی ابزار 1 قرار دهید، بطوریکه جا بیفتد (رجوع شود به تصویر **G**).

میله اتصال بطور اتومات قفل میشود. با کشیدن صفحه نظام از جا افتادن آن مطمئن شوید.

برای برداشتن صفحه نظام 15 باید بوش قفل 3 را به عقب کشیده، آنرا در همین حالت نگهداشته و صفحه نظام را از ورودی ابزار خارج کنید.

انتخاب جهت چرخش (GBH 2-22 RE)

با دکمه گردش به راست و چپ 4 میتوانید جهت حرکت دستگاه را تعیین کنید (رجوع شود به تصویر **F**).

حرکت به راست: دکمه گردش به راست و چپ 4 را در هر دو طرف روی حالت **←** قرار دهید.

حرکت به چپ: دکمه گردش به راست و چپ 4 را در هر دو طرف روی حالت **→** قرار دهید.

روشن و خاموش کردن

برای روشن کردن دستگاه دکمه قطع و وصل 6 را فشار دهید.

برای تثبیت دستگاه دکمه قطع و وصل 6 را فشار داده و آنرا با فشار دادن دکمه تثبیت 5 ثابت کنید.

برای خاموش کردن دستگاه دکمه قطع و وصل 6 را رها کنید. اگر دکمه قطع و وصل 6 تثبیت شده باشد اول آنرا فشار داده و دوباره رها کنید.

3 راه اندازی دستگاه

قبل از راه اندازی

تنظیم عمق سوراخ (رجوع شود به تصویر **D**)
به کمک میله تنظیم عمق 10 میتوان حد اکثر عمق سوراخ t را تعیین کرد.

دکمه 9 دستگیره اضافی را فشار داده و میله تنظیم عمق سوراخ را طوری در دستگیره اضافی 11 قرار دهید که طرف کنگره دار میله به سوی پایین باشد.

ابزار SDS-plus را تا نقطه گیر در ورودی ابزار 1 قرار دهید. شل بودن ابزار SDS-plus ممکن است به دقت تعیین عمق سوراخ لطمه وارد کند.

میله تنظیم عمق سوراخ را آندر خارج کنید تا فاصله بین سر مته و سر میله تنظیم عمق با عمق مطلوب سوراخ t مساوی باشد.

مکش گرد و غبار با Saugfix (وسایل اضافی)

برای مکش گرد و غبار به Saugfix (وسیله اضافی) نیاز دارید. موقع مته کاری Saugfix بطور فنی به عقب میروند، بطوریکه سر Saugfix همیشه کاملاً در نزدیکی قطعه کار قرار خواهد گرفت.

دکمه 9 دستگیره اضافی را فشار داده و میله تنظیم عمق سوراخ 10 را خارج کنید. دکمه 9 را دوباره فشار داده و Saugfix را از جلو در دستگیره اضافی 11 قرار دهید (رجوع شود به تصویر **E**).

حداکثر عمق سوراخ t را میتوانید بعد از نصب Saugfix نیز تعیین کنید. برای اینکار دستگاه را بدون روشن کردن بطور محکم روی زمینه و یا قطعه کار قرار دهید، طوریکه مته محکم روی زمینه کار قرار گیرد. اندازه مشاهده شده روی درجه بندی Saugfix را خوانده و اندازه مطلوب عمق سوراخ t را به آن اضافه کنید.

پیچ کنگره دار موجود روی میله تنظیم عمق سوراخ Saugfix را شل کرده و میله تنظیم عمق سوراخ را روی اندازه محاسبه شده بکشید. بعد از آن پیچ کنگره دار میله تنظیم عمق سوراخ را دوباره سفت کنید.

یک لوله مکش (وسیله اضافی با قطر 19 میلیمتر) به ورودی Saugfix متصل کنید.

جاروبرقی (مثلاً مدل ... GAS) باید برای قطعه کار مورد نظر مناسب باشد.

برای مکش گرد و غبارهای خیلی مضر، سرطان زا و خشک باید از دستگاه مکش مخصوص استفاده کنید.

دستگیره اضافی (رجوع شود به تصویر **A**)

از دستگاه فقط همراه با دستگیره اضافی 11 استفاده کنید.

دستگیره اضافی 11 را میتوان بطور دلخواه چرخانده و حالتی مطمئن و راحت برای کار پیدا کرد.

دستگیره اضافی 11 را با چرخش برخلاف جهت عقربه ساعت شل کرده و آنرا به حالت دلخواه درآورید. بعد از آن دستگیره اضافی 11 را با چرخش به سمت راست دوباره سفت کنید.

انتخاب ابزار

برای دریل کاری چکشی و تراشکاری (این کار فقط با وسیله اضافی MV 200 ممکن است) به ابزار نوع SDS-plus نیاز است که میتوان آنها را در ورودی ابزار نوع SDS وارد کرد. (رجوع شود به بخش مربوط به «ابزار SDS-plus»).

برای مته کاری در فلز و چوب، پیچاندن پیچ و پیچ دار کردن مهره باید از ابزار غیر SDS-plus (مثلاً مته دارای میله استوانه ای) استفاده شود. برای استفاده از این ابزار به مته گیر مخصوصی نیاز دارید. (رجوع شود به بخش «طرز کار با ابزار غیر SDS-plus»).

هنگام تعویض ابزار مواظب باشید که کلاهک ضدغبار 2 صدمه نبیند.

ابزار SDS-plus

ابزار مجهز به سیستم SDS-plus دارای حرکت آزاد میباشند. به این دلیل هنگام حرکت دستگاه در حالت خلاص، ابزار از گردش شعاعی خارج میشوند، ولی با شروع مته کاری به دور مرکزی برمیکردند. این مسئله تأثیری روی دقیق بودن مته کاری ندارد.

قرار دادن ابزار SDS-plus (رجوع شود به تصویر **B**)

ابزار را قبل از قرار دادن تمیز کرده و ته ابزار را کمی چرب کنید.

ابزار را با چرخش در ورودی ابزار 1 قرار دهید، بطوری که جا بیفتد.

ابزار خود به خود در دستگاه گیر می کند. با کشیدن ابزار از جا افتادن آن مطمئن شوید.

برداشتن ابزار SDS-plus (رجوع شود به تصویر **C**)

بوش قفل 3 را به سمت عقب بکشید (a)، آنرا در همین وضعیت محکم نگهداشته و ابزار را از ورودی ابزار خارج کنید (b).

2 تشریح عملکرد دستگاه

مشخصات دستگاه

| GBH 2-22 RE PROFESSIONAL | GBH 2-22 E PROFESSIONAL | GBH 2-22 S PROFESSIONAL | دستگاه مته چکشی |
|-----------------------------|----------------------------|----------------------------|---|
| 0 611 250 7.. | 0 611 250 6.. | 0 611 250 0.. | شماره سفارش |
| ● | ● | - | تنظیم دور موتور |
| ● | - | - | دور راست و چپ |
| 620 | 620 | 620 | قدرت اسمی [وات] |
| 280 | 280 | 280 | قدرت خروجی [وات] |
| 4 400 ... 0 | 4 400 ... 0 | 4 400 | تعداد ضربات در دقیقه [دور] |
| 2,2 | 2,2 | 2,2 | قدرت تك ضربه [ژول] |
| 1 000 ... 0 | 1 000 ... 0 | 1 000 | دوراسمی موتور در دقیقه [دور] |
| 1 000 ... 0 | - | - | حرکت به راست |
| ● | ● | ● | حرکت به چپ |
| 43 (نورم اروپا) | 43 (نورم اروپا) | 43 (نورم اروپا) | ورودی ابزار SDS-plus |
| | | | قطر گوی محور [میلیمتر] |
| | | | حداکثر قطر سوراخ دیوار (ابزار با سر توخالی) |
| 68 | 68 | 68 | [میلیمتر] |
| 22 | 22 | 22 | [میلیمتر] |
| 30 | 30 | 30 | [میلیمتر] |
| 13 | 13 | 13 | [میلیمتر] |
| 2,3 | 2,3 | 2,3 | وزن (بدون وسایل اضافی) تقریباً [kg] |
| □ / II | □ / II | □ / II | پایه ایمنی |

لطفاً به شماره سفارش دستگاه توجه کنید. نام تجاری دستگاه ها میتوانند باهم فرق کنند.

اجزاء دستگاه

شماره های اجزاء دستگاه به عکس دستگاه مربوط میشود که روی صفحه تاشده موجود است.

- 1 ورودی ابزار (SDS-plus)
- 2 کلاهک ضد غبار
- 3 بوش قفل
- 4 دکمه گردش به راست و چپ
- 5 دکمه تثبیت
- 6 دکمه قطع و وصل
- 7 دکمه انتخاب نوع کار
- 8 دکمه ضامن
- 9 دکمه موجود روی دستگیره اضافی
- 10 میله تعیین عمق
- 11 دستگیره اضافی
- 12 زاوگ فیکس*
- 13 صفحه نظام*
- 14 میله سه نظام*
- 15 نصب سه نظام*
- 16 نگهدارنده اونیورسال برای بیت های پیچ گوستی*

* وسائلی که در تصویر ویا متن آمده است همیشه به عنوان اجزاء اصلی دستگاه عرضه نمیشود.

اطلاعات لازم درباره صدا و ارتعاش

مقادیر اندازه گیری شده متناسب است با استاندارد EN 50 144.

میزان فشار صوتی دستگاه طبق استاندارد مطابق است با:

سطح فشار صوتی: 90 dB(A)

سطح توان صوتی: 103 dB(A)

از گوستی ایمنی و عایق استفاده کنید.

شتاب اندازه گیری شده مطابق مدل دستگاه عبارت است از 12 m/s².

مشخصات دستگاه

این دستگاه برای دریل کاری چکشی روی بتون، آجر و سنگ مناسب است. همچنین میتوان از آن برای سوراخ کردن بدون ضربه روی چوب، فلزات، سرامیک و مواد پلاستیکی استفاده کرد.

از دستگاه های مجهز به تنظیم الکترونیکی و امکان حرکت به چپ و راست میتوان همچنین برای باز کردن و بستن پیچ و پیچ دار کردن مهره ها نیز استفاده کرد.

1 راهنمایی های ایمنی ویژه برای این دستگاه خاص

برای دریل چکشی

کابل را همیشه از پشت دستگاه رد کنید.
برای پیدا کردن لوله های تأسیسات از دستگاه های فلزیاب مناسب استفاده کنید و یا با مراکز مربوط به خدمات فوق تماس بگیرید. تماس با سیم برق میتواند باعث آتشسوزی و یا ضربه الکتریکی شود. آسیب دیدن لوله گاز میتواند باعث انفجار شده و سوراخ شدن لوله آب خسارت ایجاد کند.
از دستگاه فقط همراه با دستگیره اضافی 11 استفاده کنید.
قطعه کار را محکم کنید. قطعه کار بسته شده به گیره را بهتر از دست میتوان نگه داشت.
دستگاه را فقط در حالت خاموش بودن روی پیچ و یا مهره بگذارید.
موقع پیچاندن پیچ های بلند مواظب خطر لغزش باشید.
هنگام کار دستگاه را با هر دو دست محکم گرفته و جایگاه مطمئنی برای خود انتخاب کنید.
دستگاه را قبل از کنار گذاشتن خاموش کرده و صبر کنید تا از کار به ایستد.
کودکان به هیچوجه اجازه کارکردن با دستگاه را ندارند.
شرکت بوش در صورتی عملکرد صحیح دستگاه را تضمین میکند، که از وسائل اضافی اصل استفاده کنید.

دنده ایمنی
در صورتیکه مته به قطعه گیر کرده و قفل کند، در اینصورت ارتباط مته با محورگرداننده قطع خواهد شد. باتوجه به نیرو هائیکه در این حال ایجاد میشود، باید دستگاه را با هردو دست محکم گرفته و قرارگاه مطمئنی انتخاب کنید.

برای کاربی خطریا این دستگاه دفترچه راهنما وجزوه مقررات ایمنی را بدقت مطالعه کرده و از دستورات آن کاملاً پیروی کنید.

برای اطلاع از سایر راهنمایی های ایمنی به جزوه ضمیمه این دستورالعمل مراجعه کنید.
قبل از کار با دستگاه بطور عملی تعلیم ببینید.

برای جلوگیری از آسیب دیدن گوش، از گوشی ایمنی استفاده کنید.
از عینک ایمنی استفاده کنید.

در صورت داشتن موی بلند، موی سر تان را ببندید. فقط با لباس تنگ کار کنید.

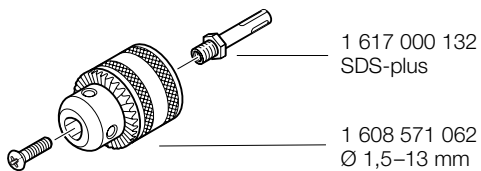
گرد و غبار تولید شده در حین کار ممکن است مضر، قابل احتراق و یا انفجار باشد. تدابیر امنیتی مناسب اتخاذ کنید.
بطور مثال: بعضی از گرد ها سرطان زا می باشد. از وسائل مکش گرد و براده و همچنین ماسک ایمنی استفاده کنید.

گرد فلزات سبک ممکن است آتش گرفته و یا منفجر شود.
محیط کار را تمیز نگهدارید، چون مخلوط شدن مواد خیلی خطرناک می باشد.

در صورتیکه سیم برق در حین کار صدمه دیده و یا پاره شود، از دست زدن به آن خودداری کرده و سیم را فوراً از برق بکشید. از دستگاهی که سیم آن صدمه دیده استفاده نکنید.

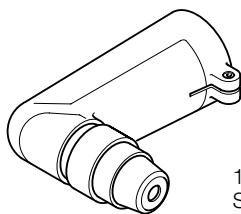
اگر در محیط باز از دستگاه استفاده میکنید، آنرا به پریز حفاظت در مقابل خطای الکتریکی (FI) با قدرت حداکثر 30 میلی آمپر وصل کنید. با دستگاه زیر باران و در رطوبت کار نکنید.



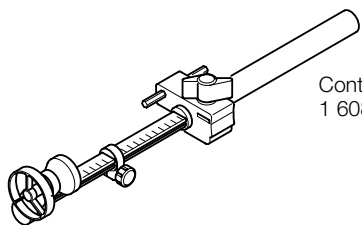


1 617 000 132
SDS-plus

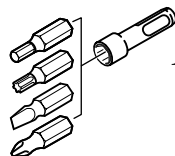
1 608 571 062
Ø 1,5–13 mm



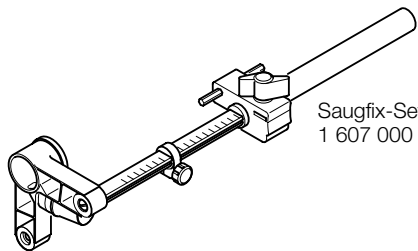
1 618 580 000
SDS-plus



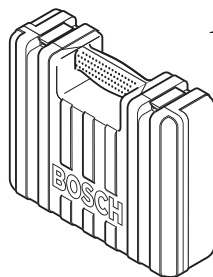
Controller
1 608 190 006



1 617 000 133



Saugfix-Set
1 607 000 173



1 615 438 115



MV 200
2 607 018 296

BOSCH
Ideas that work.



Robert Bosch GmbH
Geschäftsbereich Elektrowerkzeuge
70745 Leinfelden-Echterdingen
www.bosch-pt.com

1 619 929 565 (03.05) T/48
Printed in PRC – Imprimé dans la RP de Chine

Free Manuals Download Website

<http://myh66.com>

<http://usermanuals.us>

<http://www.somanuals.com>

<http://www.4manuals.cc>

<http://www.manual-lib.com>

<http://www.404manual.com>

<http://www.luxmanual.com>

<http://aubethermostatmanual.com>

Golf course search by state

<http://golfingnear.com>

Email search by domain

<http://emailbydomain.com>

Auto manuals search

<http://auto.somanuals.com>

TV manuals search

<http://tv.somanuals.com>