

IMPORTANT:
Read Before Using

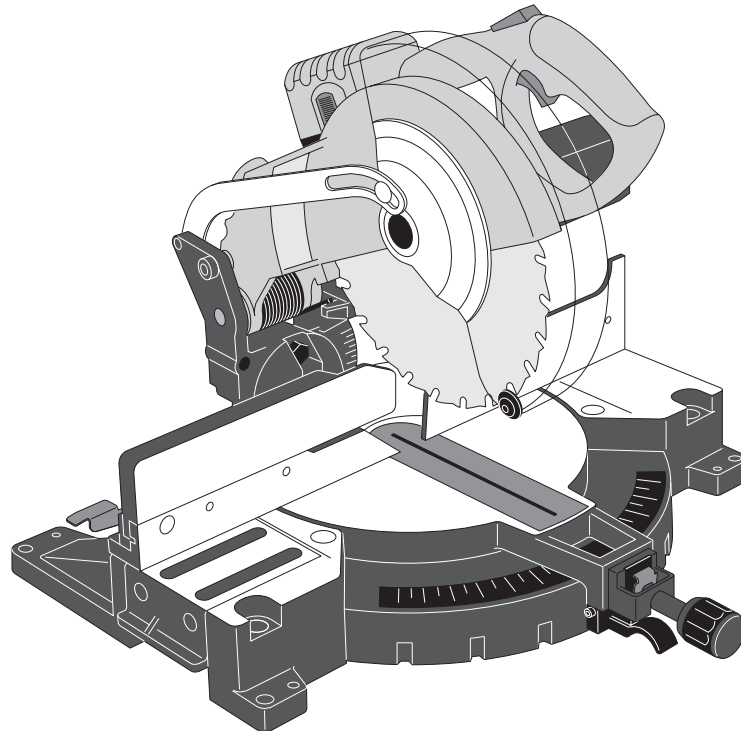
IMPORTANT :
Lire avant usage

IMPORTANTE:
Leer antes de usar



Operating/Safety Instructions
Consignes de fonctionnement/sécurité
Instrucciones de funcionamiento y seguridad

3924-24
3924B-24



BOSCH

Consumer Information
Renseignement des consommateurs
Información para el consumidor

Toll Free Number: **Appel gratuit :** **Número de teléfono gratuito:**
1-877-BOSCH99 (1-877-267-2499) <http://www.boschtools.com>

For English
See page 2

Parlez-vous français?
Voir page 10

¿Habla español?
Ver página 18

Safety



WARNING

“READ ALL INSTRUCTIONS” — Failure to follow the SAFETY RULES identified by BULLET (•) symbol listed BELOW and other safety precautions, may result in serious personal injury.

General Safety Rules For Benchtop Tools

Work Area

- **Keep work area clean and well lit.** Cluttered benches and dark areas invite accidents.
- **Do not operate power tools in explosive atmospheres, such as in the presence of flammable liquids, gases or dust.** Power tools create sparks which may ignite the dust or fumes.
- **Keep bystanders, children and visitors away while operating a power tool.** Distractions can cause you to lose control.
- **Store idle tools out of reach of children and other untrained persons.** Tools are dangerous in the hands of untrained users.
- **Do not leave tool running unattended, turn power off.** Do not leave tool until it comes to a complete stop.
- **MAKE WORKSHOP CHILDPROOF** with padlock, master switches, or by removing starter keys.

Electrical Safety

- **Do not abuse the cord. Never use the cord to carry the tool. Keep cord away from heat, oil, sharp edges, or moving parts. Replace damaged cords immediately.** Damaged cords may create a fire.
- **A battery operated tool with integral batteries or a separate battery pack must be recharged only with the specified charger for the battery.** A charger that may be suitable for one type of battery may create a risk of fire when used with another battery.
- **Use battery operated tool only with specifically designated battery pack.** Use of any other batteries may create a risk of fire.

Personal Safety

- **Stay alert, watch what you are doing, and use common sense when operating a power tool. Do not use tool while tired or under the influence of drugs, alcohol, or medication.** A moment of inattention while operating power tools may result in serious personal injury.
- **Dress properly. Do not wear loose clothing or jewelry. Contain long hair. Keep your hair, clothing and gloves away from moving parts. Loose clothes, jewelry or long hair can be caught in moving parts.**

Roll long sleeves above elbows. Rubber gloves and non-skid footwear are recommended when working outdoors.

- **Avoid accidental starting. Be sure switch is in the locked or off position before inserting battery pack.** Carrying tools with your finger on the switch or inserting the battery pack into a tool with the switch on invites accidents.
- **Remove adjusting keys or wrenches before turning the tool “ON”.** A wrench or a key that is left attached to a rotating part of the tool will be thrown.
- **Do not overreach, keep proper footing and balance at all times.** Proper footing and balance enables better control of the tool in unexpected situations.
- **Do not stand on tool or its stand.** Serious injury may occur if the tool is tipped or if the cutting tool is accidentally contacted. Do not store materials on or near the tool such that it is necessary to stand on the tool or its stand to reach them.
- **Use safety equipment. Always wear safety goggles.** Dust mask, safety shoes, hard hat or hearing protection must be used for appropriate conditions. Everyday eyeglasses only have impact resistant lenses. They are NOT safety glasses.

Tool Use and Care

- **Use clamps or other practical way to secure and support the workpiece to a stable platform.** Holding the work by hand or against your body is unstable. It allows for work to shift, causes binding of the tool and loss of control.
- **Do not force tool. Use the correct tool for your application.** The correct tool will do the job better and safer at the rate for which it is designed. Do not use the tool for purpose not intended - for example; do not use the miter saw for slicing meats.
- **Do not use tool if switch does not turn it “ON” or “OFF”.** Any tool that cannot be controlled with the switch is dangerous.
- **Disconnect battery pack from tool before performing any assembly, adjustments, changing accessories, or storing the tool.** Such preventive safety measures reduce the risk of starting the tool accidentally.
- **Keep cutting tools sharp and clean.** Properly maintained tools, with sharp cutting edges, are less likely to bind and easier to control. When mounting saw blades be certain that the arrow on the blade matches the direction of the arrow marked on the tool and that the teeth are also pointing in the same direction.

“SAVE THESE INSTRUCTIONS”

Safety



WARNING

“READ ALL INSTRUCTIONS” — Failure to follow the SAFETY RULES identified by BULLET (•) symbol listed BELOW and other safety precautions, may result in serious personal injury.

- **Inspect guards before using a tool. Keep guards in place. Check moving parts for binding or any other condition that may affect the normal operation or safety features of the tool. If damaged, have tool serviced before using the tool.** Many accidents are caused by poorly maintained tools.
- **Do not alter or misuse tool.** Any alteration or modification is a misuse and may result in serious personal injury.
- **The use of any other accessories not specified in this manual may create a hazard.** Accessories that may be suitable for one type of tool, may become hazardous when used on an inappropriate tool.
- **Miter saws are intended primarily to cut wood or woodlike products, they cannot be used with abrasive cutoff wheels for cutting ferrous material such as bars, rods, studs, etc. However, if cutting materials like aluminum or other non-ferrous metals, use only saw blades specifically recommended for non-ferrous metal cutting.** Cutting ferrous materials causes excessive sparking and will damage the lower guard and will overload the motor. (NOTE: Robert Bosch Tool Corporation does not offer 10” metal cutting blades.)
- **Inspect your workpiece before cutting. If workpiece is bowed or warped, clamp it with the outside bowed face toward the fence. Always make certain that there is no gap between the workpiece, fence and table along the line of the cut.** Bent or warped workpieces can twist or rock and may cause binding on the spinning saw blade while cutting. Also, make sure there are no nails or foreign objects in the workpiece.

Service

- **Tool service must be performed only by qualified repair personnel.** Service or maintenance performed by unqualified personnel may result in misplacing internal wires and components which could cause serious hazard.
- **When servicing a tool, use only identical replacement parts. Follow instructions in the Maintenance section of this manual.** Use of unauthorized parts or failure to follow Maintenance Instructions may create a hazard.
- **Do not use the saw until the table is clear of all tools, wood scraps, etc., except the workpiece.** Small debris or loose pieces of wood or other objects that contact the revolving blade can be thrown with high speed at the operator.
- **Do not feed workpiece into the blade or cut “freehand” in any way. Workpiece must be stationary and clamped or braced by your hand.** Saw must be fed through the workpiece smoothly and at a rate which will not overload the saw’s motor.

Safety Rules for Miter Saws

- **Use clamps to support workpiece whenever possible. If supporting the workpiece by hand, you must always keep hand outside of “No Hands” area as marked with a symbol on the base. Do not use this saw to cut pieces that are too small to be securely clamped.** Your hand if placed inside the “No Hands” region can easily slip or be pulled into the blade.
- **Do not reach in back of the saw blade behind the fence with either hand to hold down or support the workpiece, remove wood scraps, or for any other reason.** The proximity of the spinning saw blade to your hand may not be obvious and you may be seriously injured.
- **Never cross your hand over intended line of cutting.** Supporting the workpiece “cross handed” i.e. holding the left side of the workpiece with your right hand is very dangerous.
- **Disconnect battery pack from tool before performing any assembly, adjustments, changing accessories, or storing the tool.** Such preventive safety measures reduce the risk of starting the tool accidentally.
- **Cut only one workpiece at a time.** Multiple workpieces cannot be adequately clamped or braced and may bind on the blade or shift during cutting.
- **Be certain the miter saw is mounted or placed on a level, firm work surface before using.** A level and firm work surface reduces the risk of the miter saw becoming unstable.
- **Plan your work. Provide adequate support accessories such as tables, saw horses, table extension, etc. for workpieces wider or longer than the table top (see page 50).** Workpieces longer or wider than the miter saw table can tip if not securely supported. If the cutoff piece or workpiece tips it can lift the lower guard or be thrown by the spinning blade.
- **Do not use another person as a substitute for a table extension or as additional support.** Unstable support for the workpiece can cause the blade to bind or the workpiece to shift during the cutting operation pulling you and the helper into the spinning blade.
- **The cutoff piece must not be jammed against or pressured by any other means against the spinning saw blade.** If confined, i.e. using length stops, it could get wedged against the blade and thrown violently.

“SAVE THESE INSTRUCTIONS”

Safety

WARNING

“READ ALL INSTRUCTIONS” — Failure to follow the SAFETY RULES identified by BULLET (•) symbol listed BELOW and other safety precautions, may result in serious personal injury.

- **Always use a clamp or a fixture designed to properly support round material such as dowel rods, or tubing.** Rods have a tendency to roll while being cut, causing the blade to “bite” and pull the work with your hand into the blade.
- **When cutting irregularly shaped workpieces, plan your work so it will not slip and pinch the blade and be torn from your hand.** A piece of molding, for example, must lie flat or be held by a fixture or jig that will not let it twist, rock or slip while being cut.
- **Let the blade reach full speed before contacting the workpiece.** This will help avoid thrown workpieces.
- **If the workpiece or blade becomes jammed or bogged down, turn miter saw “OFF” by releasing switch. Wait for all moving parts to stop and remove battery pack from tool, then work to free the jammed material.** Continued sawing with jammed workpiece could cause loss of control or damage to compound miter saw.
- **Braking action of the saw causes the saw head to jerk downward. Be ready for this reaction** when making an incomplete cut or when releasing the switch before the head is completely in the down position.
- **After finishing the cut, release the switch, hold the saw arm down and wait for blade to stop before removing work or cutoff piece. If blade does not stop within five (5) seconds, remove battery pack from tool and follow the instructions in the Troubleshooting section. REACHING WITH YOUR HAND UNDER A COASTING BLADE IS DANGEROUS!**
- **Do not allow familiarity gained from frequent use of your miter saw to become commonplace.** Always remember that a careless fraction of a second is sufficient to inflict severe injury.
- **THINK SAFETY! SAFETY IS A COMBINATION OF OPERATOR’S COMMON SENSE, KNOWLEDGE OF THE SAFETY AND OPERATING INSTRUCTIONS AND ALERTNESS AT ALL TIMES WHEN THE MITER SAW IS BEING USED.**

WARNING

Some dust created by power sanding, sawing, grinding, drilling, and other construction activities contains chemicals known to cause cancer, birth defects or other reproductive harm. Some examples of these chemicals are:

- Lead from lead-based paints,
- Crystalline silica from bricks and cement and other masonry products, and
- Arsenic and chromium from chemically treated lumber.

Your risk from these exposures varies, depending on how often you do this type of work. To reduce your exposure to these chemicals: work in a well ventilated area, and work with approved safety equipment, such as those dust masks that are specially designed to filter out microscopic particles.

- **There are additional safety instructions for particular operations of the saw in the operating section. Read the rest of the manual for safe operation.**

“SAVE THESE INSTRUCTIONS”

Safety

⚠ WARNING

"READ ALL INSTRUCTIONS" — Failure to follow the SAFETY RULES identified by BULLET (•) symbol listed BELOW and other safety precautions, may result in serious personal injury.

⚠ WARNING

THE WARNINGS SHOWN BELOW CAN BE FOUND ON YOUR TOOL. THESE WARNINGS ARE ONLY A CONDENSED FORM OF THE MORE DETAILED SAFETY RULES AND PRECAUTIONS THAT APPEAR IN YOUR OWNER'S MANUAL. THEY SERVE AS A REMINDER OF ALL SAFETY RULES NEEDED FOR SAFE OPERATION OF THIS MITER SAW.



DESIGNATED DANGER ZONE. AVOID POSITIONING HANDS, FINGERS OR ARMS IN THE AREA DESIGNATED BY THIS SYMBOL.

⚠ WARNING After turning saw "OFF", always keep saw in down position and wait for blade to stop before removing cutoff pieces, cleaning table, or changing tool settings. • Extend the sliding base and fence when making bevel or compound cuts or table is turned to the left side to avoid contact with guard system. • Clamp workpiece against the base or fence. Never perform any operation freehand.

⚠ WARNING Do not operate saw without guards in place and operating. If guard fails to operate smoothly, stop sawing and service it before proceeding. • Return guard to operating position after changing the blade. • Never place your hand across the projected path of the saw blade. • Do not reach behind, beneath or in front of the blade. Keep hands at a safe distance from the saw blade.

BOSCH

3924 10"(254MM) CORDLESS
COMPOUND MITER SAW

E82443



24V --- n_o 3500/min 0 601 663 439

LISTED
TOOL 37J2

SN:

Made in
Taiwan

Robert Bosch Tool Corp., Mt. Prospect, IL

⚠ WARNING To reduce the risk of injury, user must read and understand the instruction manual.
• Wear eye protection and dust mask. • Use 10 inch diameter saw blade rated at 4300 rpm or greater.
• Remove battery pack before servicing or changing blade. • Use with BAT030, BAT031 battery.

"SAVE THESE INSTRUCTIONS"

Safety



WARNING

“READ ALL INSTRUCTIONS” — Failure to follow the SAFETY RULES identified by BULLET (•) symbol listed BELOW and other safety precautions, may result in serious personal injury.

Battery/Charger

- Before using battery charger, read all instructions and cautionary markings on (1) battery charger, (2) battery pack, and (3) product using battery.
- Use only the charger which accompanied your product or direct replacement as listed in the catalog or this manual. Do not substitute any other charger. Use only Bosch approved chargers with your product. See Functional Description and Specifications.
- Do not disassemble charger or operate the charger if it has received a sharp blow, been dropped or otherwise damaged in any way. Replace damaged cord or plugs immediately. Incorrect reassembly or damage may result in electric shock or fire.
- Do not recharge battery in damp or wet environment. Do not expose charger to rain or snow. If battery case is cracked or otherwise damaged, do not insert into charger. Battery short or fire may result.
- Charge only Bosch approved rechargeable batteries. See Functional Description and Specifications. Other types of batteries may burst causing personal injury and damage.
- Charge battery pack in temperatures above +40 degrees F (4 degrees C) and below +105 degrees F (41 degrees C). Store tool and battery pack in locations where temperatures do not go below 40 degrees F (4 degrees C) or will no exceed 120 degrees F (49 degrees C). Allow battery pack to return to room temperature before attempting to charge. This is important to prevent serious damage to the battery cells.
- Battery leakage may occur under extreme usage or temperature conditions. Avoid contact with skin and eyes. The battery liquid is caustic and could cause chemical burns to tissues. If liquid comes in contact with skin, wash quickly with soap and water, then with lemon juice or vinegar. If the liquid contacts your eyes, flush them with water for a minimum of 10 minutes and seek medical attention.
- Place charger on flat non-flammable surfaces and away from flammable materials when re-charging battery pack. The charger and battery pack heat during charging. Carpeting and other heat insulating surfaces block proper air circulation which may cause overheating of the charger and battery pack. If smoke or melting of the case are observed unplug the charger immediately and do not use the battery pack or charger.
- Use of an attachment not recommended or sold by Bosch may result in a risk of fire, electric shock or injury to persons.

Battery Care



WARNING

When batteries are not in tool or charger, keep them away from metal objects. For example, to protect terminals from shorting DO NOT place batteries in a tool box or pocket with nails, screws, keys, etc. Fire or injury may result.



WARNING

To prevent fire or injury when batteries are not in tool or charger, always place protective cap onto end of battery pack. Protective cap, guards against terminal shorting.

DO NOT PUT BATTERIES INTO FIRE OR EXPOSE TO HIGH HEAT. They may explode.

Battery Disposal



WARNING

Do not attempt to disassemble the battery or remove any component projecting from the battery terminals. Fire or injury may result. Prior to disposal, protect exposed terminals with heavy insulating tape to prevent shorting.

Nickel-Cadmium Batteries

If equipped with a nickel-cadmium battery, the battery must be collected, recycled or disposed of in an environmentally sound manner.



“The EPA certified RBRC Battery Recycling Seal on the nickel-cadmium (Ni-Cd) battery indicates Robert Bosch Tool Corporation is voluntarily participating in an industry program to collect and recycle these batteries at the end of their useful life, when

taken out of service in the United States or Canada. The RBRC program provides a convenient alternative to placing used Ni-Cd batteries into the trash or the municipal waste stream, which may be illegal in your area.

Please call 1-800-8-BATTERY for information on Ni-Cd battery recycling and disposal bans/restrictions in your area, or return your batteries to a Skil/Bosch/Dremel Service Center for recycling. Robert Bosch Tool Corporation’s involvement in this program is part of our commitment to preserving our environment and conserving our natural resources.”

Nickel-Metal Hydride Batteries

If equipped with a nickel-metal hydride battery, the battery can be disposed of in a municipal solid waste stream.

“SAVE THESE INSTRUCTIONS”

Table of Contents

	Page		Page
Safety	2-6	Crown Molding Detent Adjustment (Bevel)	42
General Safety Rules for Benchtop Tools.....	2-3	Installation	44, 46
Safety Rules for Miter Saws	3-5	Mounting Applications.....	46
Battery/Charger	6	Basic Saw Operations	48-54
Battery Care	6	Body and Hand Position	48
Battery Disposal	6	Workpiece Support	50, 52
Table of Contents	7	Switch Activation	52
Electric Brake	7	Detent Override.....	54
Functional Description and Specifications.....	7	Sliding Base/Fence Extension.....	54
Getting to Know your Miter Saw	8-9	Saw Operations	56-72
Assembly	26-32	Miter Cut.....	56
Tools needed for Assembly and Alignment	26	Bevel Cut.....	58
Unpacking and Checking Contents	28	Compound Cuts	60
Installation of Miter Lock Knob.....	28	Base Molding	62
Installation and removal of the Blade	30	Cutting Crown Molding	65
Assembling Dust Elbow and Dust Bag.....	32	Special Cuts	72
Adjustments	34-44	Charging Battery Pack	74
Blade square to Table (90°).....	34	Accessories	76
Blade 45° to Table	36	Extension Cords	76
Blade Square to Fence	38	Maintenance and Lubrication	78, 80
Miter Scale and Vernier Scale Usage	40	Trouble Shooting	82, 84
Miter Scale (Vernier) Indicator Adjustment.....	42		

Electric Brake

Your saw is equipped with an automatic electric brake which is designed to stop the blade from spinning in about five (5) seconds after you release the trigger switch. It is useful when making certain cuts in wood where a coasting blade would result in a wide, imprecise cut.

The electric blade brake of your miter saw has been designed for highest degree of reliability, but unexpected circumstances such as contamination on the commutator and brushes or failure of motor's components can cause the brake not to activate. If this condition occurs, turn the saw "ON" and "OFF" four to five times without contacting the

workpiece. If the tool operates but the brake does not consistently stop the blade in about five (5) seconds, DO NOT use saw and have it serviced immediately.

⚠ WARNING The brake action of this saw is not intended as a safety feature. Remember to let the saw blade come to a complete stop before removing from the workpiece. As always the guard system is your best protection against unintentional contact with a spinning saw blade. NEVER wedge open or defeat the closing action of the lower guard.

Functional Description and Specifications

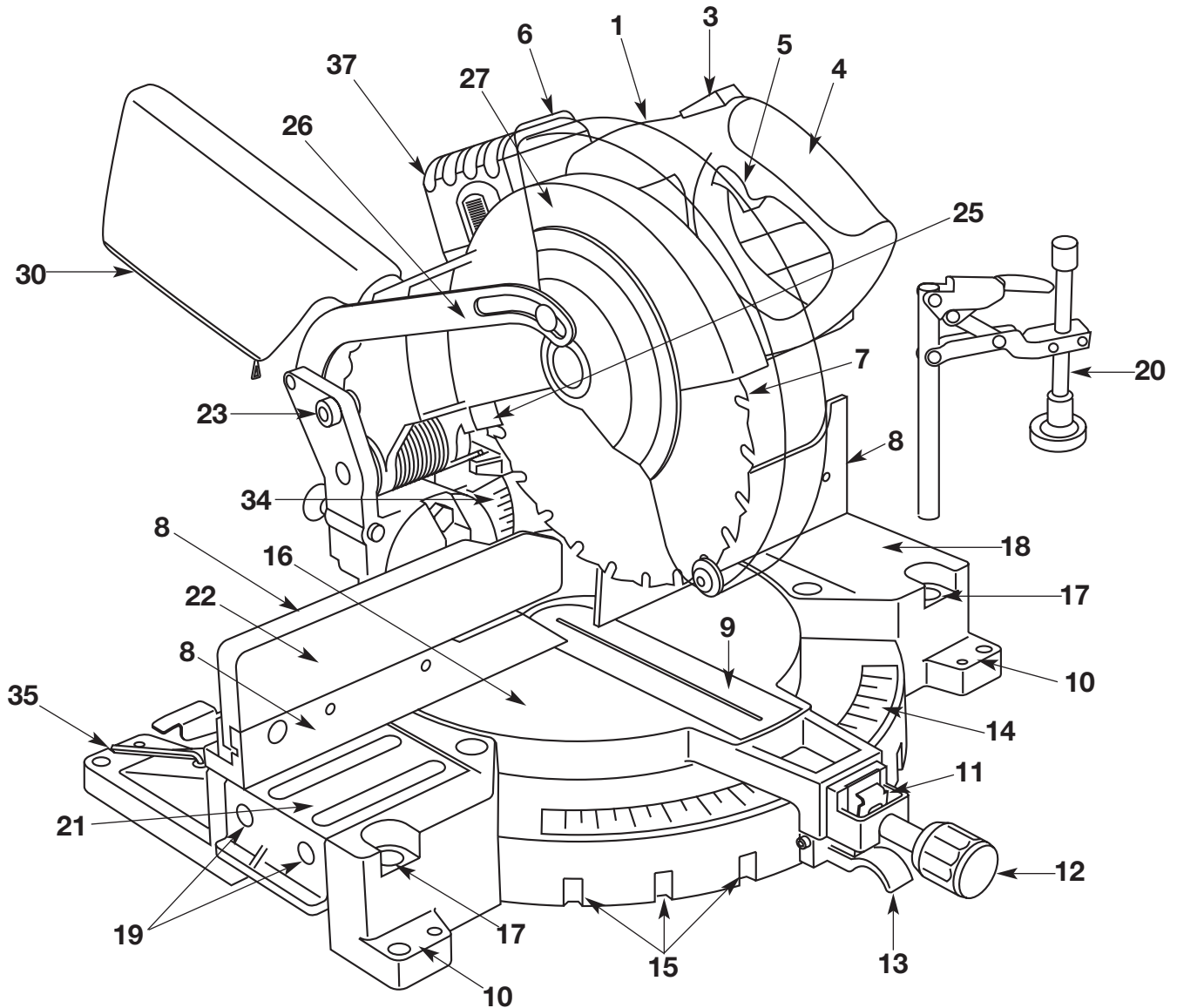
Cordless Miter Saw

Model number	3924-24	3924B-24	Maximum Capacities	
Voltage rating	24 V===	24 V===	Blade	10"
No load speed	n ₀ 3,600/min	n ₀ 3,600/min	Depth of cut at 90°	3-1/2"
Charger	BC004, BC006, & BC016	(Not included with model 3924B-24)	Depth of cut at 45°	2"
Battery pack	BAT030 & BAT031	(Not included with model 3924B-24)		
Amperage rating	2.5 A	Amperage rating	2.5 A	
Voltage rating	120 V ~ 60 Hz	Voltage rating	120 V ~ 60 Hz	
Charge time	1 hr.	Charge time	1 hr.	

BC006 charger requires 12 V DC input

NOTE: ONLY USE CHARGERS LISTED ABOVE

Getting To Know Your Miter Saw



⚠ WARNING Disconnect battery pack from tool before performing any assembly, adjustments, changing accessories, or storing the tool. Such preventive safety measures reduce the risk of starting the tool accidentally.

1. Carrying Handle

This handle is built into the head assembly for transportation.

2. Arbor Lock

Allows the user to keep the blade from rotating while tightening or loosening arbor screw during blade replacement or removal.

3. Safety Switch

The safety switch is designed to prevent accidental starts. The release button must be depressed to activate the power switch.

4. Switch Handle

This handle contains the switch. The blade is lowered into the workpiece by pushing/pulling down on the handle.

5. Power Switch

The power switch used with the safety switch energizes the unit.

6. Lower Blade Guard/Lower Guard Lip

The lower blade guard helps protect your hands from the spinning blade. It retracts as the blade is lowered. Lip can be used to raise the lower guard when guard becomes jammed on a workpiece.

7. Blade

For best performance, use only thin kerf 10" blades with 5/8" arbor hole.

8. Fence

Supports the workpiece. The fence has a cast in scale to make repetitive cuts easy. The fence also has holes which are used to secure an auxiliary fence if desired.

9. Kerf Insert

Minimizes workpiece tear-out.

10. Tool Mounting Pads

The four corners of the saw provide areas to clamp, bolt or nail the saw to a flat work surface.

11. Detent Override

Allows detent action to be locked out allowing for micro adjustments to any miter angle.

12. Miter Lock Knob

The miter lock knob locks the miter saw table at any desired miter angle.

13. Miter Detent Trigger

The trigger engages or releases the table from the detent.

14. Miter Scale

This scale is cast in on the base of the saw. Allows you to read the miter angles easily.

15. Detents

There are nine (9) miter detents for fast and accurate miter cuts of common miter angles.

16. Table

Sits in base, provides workpiece support, rotates for desired miter cuts and rotates the head assembly.

17. Quick Action Clamp Positions

There are six (6) positions around the base for the quick action clamp.

18. Base

Provides working surface to support workpiece.

19. Accessory Extension/Stop Holes

Machined holes that accept the extension/stop accessory.

20. Quick Action Clamp

Provides fast clamping of workpiece.

21. Sliding Base

This provides extra support and clamping area for compound miter cuts.

22. Sliding Fence

Provides maximum height support for the workpiece and slides to left for easy compound cuts.

23. Lock Pin

The compound miter saw is equipped with a lock pin used to lock the head assembly in the lower position.

24. 33.9° Bevel Stop (Crown Molding)

Adjustable stop for quick and accurate 33.9° cuts.

25. Chip Deflector

This protects against large chips from entering the upper guard.

26. Lower Guard Actuation Link

Allows for smooth movement of the lower guard.

27. Upper Blade Guard

Covers upper portion of the blade.

28. Blade Wrench

Used for tightening/loosening blade and adjusting bevel stops. Blade wrench is stored in the handle housing.

29. Bevel Detent Pin (Crown Molding Setting)

Allows you to easily move the head assembly to the bevel angle of 33.9°.

30. Dust Collection Bag

Attaches to the dust port and collects dust to help keep work area clean.

31. Bevel Lock Handle

The bevel lock handle locks the head assembly at a desired bevel angle. Handle ratchets for use in tight spaces.

32. 45° Bevel Stop

Adjustable stop for a quick and accurate 45° bevel index.

33. 0° Bevel Stop

Adjustable stop for a quick and accurate 0° bevel index.

34. Bevel Scale

This scale is cast in on the saw. Allows you to read the bevel angles easily.

35. Hex Wrench (6 mm)

Used to adjust sliding base and fence. Hex wrench is stored in the left rear base.

36. Brush Caps

These caps keep the motor brushes in position and provide easy access for inspecting and replacing brushes.

37. 24 V Battery Pack (Not included with model 3924B-24)

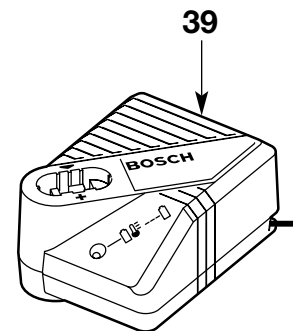
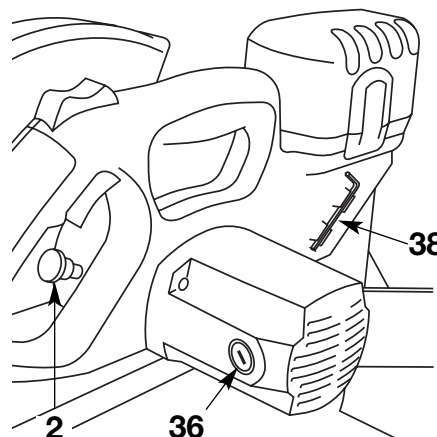
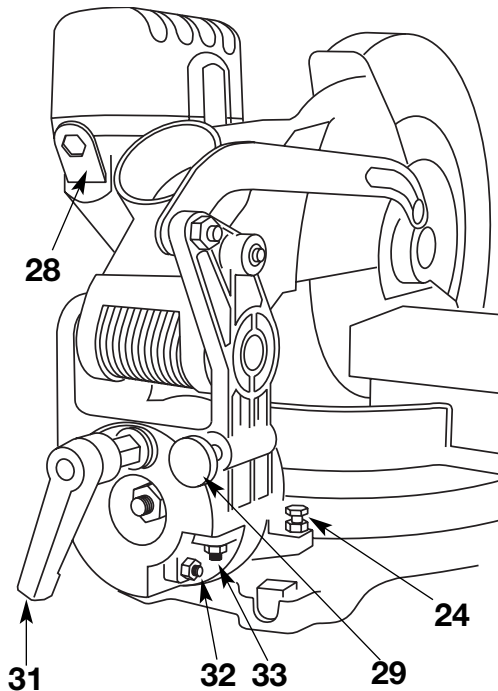
Rechargeable battery pack that power the saw.

38. Hex Wrench (3 mm)

Used to adjust the 0° and 45° bevel stop screws. Hex wrench is stored in the handle.

39. Charger (Not included with model 3924B-24)

Charges the battery pack which powers the tool.



FOR CONTINUATION OF ENGLISH SEE PAGE 26

Sécurité

⚠ AVERTISSEMENT

« LISEZ TOUTES LES INSTRUCTIONS » — L'utilisateur qui négligerait de suivre les CONSIGNES DE SÉCURITÉ précédées d'un point noir (•) ci-dessous et de prendre d'autres précautions élémentaires risquerait de subir de graves blessures.

Consignes générales de sécurité pour les outils d'établi

Zone de travail

- **Gardez la zone de travail propre et bien éclairée.** Les établis encombrés et les endroits sombres invitent les accidents.
- **N'utilisez pas les outils électriques en atmosphères explosives, comme en présence de poussière, de gaz ou de liquides inflammables.** Les outils électriques créent des étincelles qui peuvent enflammer la poussière ou les vapeurs.
- **Gardez les spectateurs, les enfants et les visiteurs à l'écart lorsque vous utilisez un outil électrique.** Les distractions peuvent vous faire perdre le contrôle.
- **Rangez les outils inutilisés hors de portée des enfants et autres personnes sans formation à cet égard.** Les outils sont dangereux entre les mains d'utilisateurs non formés.
- **Ne laissez pas l'outil en marche, sans surveillance, mettez hors tension.** Ne laissez pas l'outil avant qu'il soit à l'arrêt complet.
- **RENDEZ L'ATELIER À L'ÉPREUVE DES ENFANTS** à l'aide de cadenas ou d'interrupteurs principaux, ou en retirant les clés du démarreur.

Sécurité électrique

- **N'abusez pas du cordon. Ne transportez jamais l'outil par le cordon. Tenez le cordon à l'écart de la chaleur, de l'huile, des arêtes vives ou des pièces mobiles. Remplacez les cordons endommagés immédiatement.** Les cordons endommagés peuvent provoquer un incendie.
- **Un outil à pile avec piles incorporées ou bloc-pile distinct doit être rechargé uniquement avec le chargeur indiqué pour la pile.** Un chargeur qui peut être adéquat pour un type de pile peut créer un risque d'incendie lorsqu'il est utilisé avec une autre pile.
- **Utiliser un outil à pile uniquement avec le bloc-pile désigné spécifiquement.** L'emploi de toute autre pile peut créer un risque d'incendie.

Sécurité personnelle

- **Restez alerte, concentrez-vous sur votre travail et faites preuve de jugement. N'utilisez pas un outil électrique si vous êtes fatigué ou sous l'influence de drogues, d'alcool ou de médicaments.** Un instant d'inattention suffit pour entraîner des blessures graves.

- **Portez des vêtements convenables. Ne portez pas de vêtements amples ni de bijoux. Pour les cheveux longs, nous conseillons le port d'un serre-tête. Tenez les cheveux, les vêtements et les gants à l'écart des pièces mobiles. Les vêtements amples, les bijoux ou les cheveux longs risquent de s'accrocher dans les pièces mobiles.** Roulez les manches longues au-dessus du coude. Le port de gants en caoutchouc et de chaussures à semelle antidérapante est recommandé si vous travaillez à l'extérieur.
- **Évitez la mise en marche accidentelle. Assurez-vous que l'interrupteur est en position de blocage ou d'arrêt avant d'insérer le bloc-pile.** Il est dangereux de transporter l'outil avec le doigt sur l'interrupteur ou d'insérer le bloc-pile dans un outil alors que l'interrupteur est en position de marche.
- **Enlevez les clés de réglage et autres clés avant de mettre l'outil en marche.** Une clé qui est laissée fixée à une pièce rotative de l'outil sera projetée.
- **Travaillez avec aplomb et équilibre à tout moment, ce qui aide à mieux contrôler l'outil dans les cas imprévus.**
- **Ne montez pas sur l'outil ni sur son support.** Des blessures graves peuvent être causées en cas de basculement de l'outil ou de contact accidentel avec l'outil de coupe. Ne conservez pas de matériaux sur ou à proximité de l'outil de sorte qu'il soit nécessaire de monter sur l'outil ou son support pour les atteindre.
- **Utilisez l'équipement de sécurité. Portez toujours des lunettes à coques latérales.** Un masque anti-poussière, des chaussures de sécurité, un casque dur ou des protège-oreilles doivent être utilisés si la situation l'exige. Les lunettes de tous les jours comportent uniquement des verres résistant aux chocs. Ce NE SONT PAS des lunettes de sécurité.

Utilisation et entretien de l'outil

- **Utilisez des pinces ou autre façon pratique d'assujettir et de supporter l'ouvrage à une plate-forme stable.** Tenir l'ouvrage à la main ou contre son corps n'assure pas la stabilité voulue. L'ouvrage peut ainsi se déplacer, faire gripper l'outil et vous faire perdre le contrôle de l'outil.
- **Ne forcez pas l'outil. Utilisez l'outil convenant à votre application.** L'outil convenable exécutera le travail plus efficacement et plus sûrement à la vitesse à laquelle il est conçu. N'utilisez pas l'outil à une fin autre que celle à laquelle il est prévu — ainsi, n'utilisez pas la scie à ongles pour trancher les viandes.
- **N'utilisez pas l'outil si l'interrupteur ne le met pas en marche et à l'arrêt.** Tout outil qui ne peut être commandé par l'interrupteur est dangereux.
- **Débranchez le bloc-pile de l'outil avant d'effectuer tout assemblage ou réglage ou de changer les accessoires ou de ranger l'outil.** Ces mesures de sécurité préventives réduisent le risque d'une mise en marche accidentelle.

« CONSERVEZ CES INSTRUCTIONS »

Sécurité

AVERTISSEMENT

« LISEZ TOUTES LES INSTRUCTIONS » — L'utilisateur qui négligerait de suivre les CONSIGNES DE SÉCURITÉ précédées d'un point noir (•) ci-dessous et de prendre d'autres précautions élémentaires risquerait de subir de graves blessures.

- **Gardez les outils de coupe affilés et propres.** Des outils bien entretenus, avec tranchants affilés, sont moins susceptibles de gripper et plus faciles à contrôler. Lorsque vous montez des lames de scie, assurez-vous que la flèche de la lame correspond au sens de la flèche marquée sur l'outil et que les dents pointent également dans le même sens.
- **Inspectez les protecteurs avant d'utiliser un outil. Gardez les protecteurs en place. Vérifiez si les pièces mobiles grippent ou tout autre état pouvant influencer sur le fonctionnement normal ou les fonctions de sécurité de l'outil. Si l'outil est abîmé, faites-le réparer avant de l'utiliser.** Beaucoup d'accidents sont causés par des outils mal entretenus.
- **Ne modifiez pas l'outil et n'en faites pas un usage inapproprié.** Toute altération ou modification constitue un usage inapproprié et peut causer des blessures graves.
- **L'utilisation de tout autre accessoire non précisé dans ce manuel peut créer un danger.** Les accessoires qui peuvent être adéquats pour un type d'outil peuvent devenir dangereux lorsqu'ils sont utilisés sur un outil inapproprié.

Réparation

- **L'outil ne doit être réparé que par des techniciens de réparation qualifiés.** Les réparations ou l'entretien effectués par des personnes non qualifiées peuvent résulter en un positionnement erroné de composants et de fils internes, ce qui peut provoquer des dangers sérieux.
- **N'utilisez que des pièces de rechange identiques pour réparer un outil. Suivez les consignes contenues dans la section Entretien de ce manuel.** L'utilisation de pièces non autorisées ou le non-respect des consignes d'entretien peut être dangereux.

Consignes de sécurité pour les scies à onglet

- **Utilisez des pinces pour supporter l'ouvrage chaque fois que possible. Si vous supportez l'ouvrage à la main, vous devez toujours garder la main à l'extérieur de la zone interdite aux mains, identifiée par un symbole sur la base. N'utilisez pas cette scie pour couper des pièces qui sont trop petites pour être bien assujetties.** Si elle est placée à l'intérieur de la zone interdite aux mains, votre main peut glisser facilement ou être tirée dans la lame.
- **N'insérez pas la main à l'arrière de la lame de scie, derrière le guide, pour tenir ou supporter l'ouvrage, enlever des débris de bois ou toute autre raison.** La proximité de la lame de scie en rotation à votre main peut ne pas être évidente, et vous pourriez être grièvement blessé.
- **Ne passez jamais la main à travers la ligne de coupe prévue.** Il est très dangereux de supporter l'ouvrage à main croisée, à

savoir, en tenant le côté gauche de l'ouvrage avec votre main droite.

- **Débranchez le bloc-pile de l'outil avant d'effectuer tout assemblage ou réglage ou de changer les accessoires ou de ranger l'outil.** Ces mesures de sécurité préventives réduisent le risque d'une mise en marche accidentelle.
- **Les scies à onglet sont destinées principalement à couper le bois ou des produits similaires ; on ne peut les utiliser avec des meules à tronçonner pour couper des matériaux ferreux tels que barres, tiges, poteaux, etc. Cependant, pour couper des matériaux tels que l'aluminium ou autres métaux non ferreux, utilisez uniquement des lames de scie recommandées spécifiquement pour la coupe de métaux non ferreux.** La coupe de matériaux ferreux forme une quantité excessive d'étincelles et abîmera le protecteur inférieur en plus de créer une surcharge sur le moteur. (REMARQUE : Robert Bosch Tool Corporation n'offre pas de lames de 10 po pour couper les métaux.)
- **Inspectez votre ouvrage avant de couper. Si l'ouvrage est cintré ou gondolé, pincez-le avec la face cintrée extérieure dirigée vers le guide. Assurez-vous toujours qu'il n'y a pas d'écartement entre l'ouvrage, le guide et la table le long de la ligne de coupe.** Les ouvrages pliés ou gondolés peuvent se tordre ou culbuter, et peuvent faire gripper la lame de scie en rotation durant la coupe. Assurez-vous également de l'absence de clous ou de corps étrangers dans l'ouvrage.
- **N'utilisez pas la scie tant que la table n'est pas libérée de tous outils, débris de bois, etc, sauf l'ouvrage.** Les petits débris ou pièces détachées de bois ou autres objets venant en contact avec la lame en rotation peuvent être projetés à haute vitesse en direction de l'opérateur.
- **N'introduisez pas l'ouvrage dans la lame et ne coupez d'aucune manière à « main libre ».** L'ouvrage doit être fixe et cramponné ou serré par votre main. La scie doit être insérée à travers l'ouvrage doucement et à une vitesse qui ne surchargera pas le moteur de la scie.
- **Coupez un seul ouvrage à la fois.** Les ouvrages multiples ne peuvent être cramponnés ou serrés adéquatement, et ils peuvent gripper sur la lame ou se déplacer durant la coupe.
- **Assurez-vous que la scie à onglet est montée ou placée sur une surface de travail ferme et à niveau avant de l'utiliser.** Une surface de travail ferme et à niveau réduit le risque d'instabilité de la scie à onglet.
- **Planifiez votre travail. Obtenez des accessoires de support adéquats tels que tables, chevalets de scieur, rallonge de table, etc. pour les ouvrages plus larges ou plus longs que le dessus de la table (voir page 51).** Les ouvrages plus longs ou plus larges que la table de la scie à onglet peuvent basculer s'ils ne sont pas supportés adéquatement. Si la pièce tronçonnée ou l'ouvrage bascule, il peut lever le protecteur inférieur ou être projeté par la lame en rotation.

« CONSERVEZ CES INSTRUCTIONS »

Sécurité

▲ AVERTISSEMENT

« LISEZ TOUTES LES INSTRUCTIONS » — L'utilisateur qui négligerait de suivre les CONSIGNES DE SÉCURITÉ précédées d'un point noir (●) ci-dessous et de prendre d'autres précautions élémentaires risquerait de subir de graves blessures.

- **N'utilisez pas une autre personne en remplacement d'une rallonge de table ou comme support supplémentaire.** Un support instable de l'ouvrage peut faire gripper la lame ou déplacer l'ouvrage durant la coupe, tirant ainsi votre assistant et vous-même dans la lame en rotation.
- **La pièce tronçonnée ne doit pas être bloquée contre la lame de scie en rotation ni être pressée par aucun autre moyen contre celle-ci.** Si elle est captive, en utilisant des butées de longueur, par exemple, elle pourrait être coincée contre la lame et être projetée violemment.
- **Utilisez toujours un serre-joints ou un dispositif conçu de manière à supporter adéquatement les matériaux ronds tels que les goujons ou les tubes.** Les goujons ont tendance à rouler pendant qu'on les coupe, ce qui amène la lame à « mordre » et tire l'ouvrage et votre main dans la lame.
- **En coupant des ouvrages de forme irrégulière, planifiez votre travail de manière à ce que l'ouvrage ne glisse pas et ne vienne pas pincer la lame, pour être ensuite tiré de votre main.** Une pièce de mouleure doit ainsi être posée à plat et être tenue par un dispositif ou une monture qui l'empêchera de tordre, basculer ou glisser pendant la coupe.
- **Laissez la lame atteindre une vitesse maximum avant de la mettre en contact avec l'ouvrage.** Ceci aidera à éviter la projection d'ouvrages.
- **Si l'ouvrage ou la lame se bloque ou se coince, mettez la scie à onglet à l'arrêt en relâchant l'interrupteur. Attendez que toutes les pièces mobiles s'arrêtent et débranchez le bloc-pile de l'outil avant de libérer les matériaux coincés.** Le fait de continuer à scier avec l'ouvrage coincé pourrait entraîner une perte de contrôle ou des dommages à la scie à onglet composée.
- **La tête de scie est secouée vers le bas sous l'effet de l'action de freinage de la scie. Soyez prêt à cette réaction** en pratiquant une coupe incomplète ou en relâchant l'interrupteur avant que la tête ne soit complètement descendue.
- **Après avoir terminé la coupe, relâchez l'interrupteur, tenez le bras de la scie en bas et attendez que la lame s'arrête avant de retirer l'ouvrage ou la pièce tronçonnée. Si la lame ne**

s'arrête pas dans un délai de cinq (5) secondes, débranchez le bloc-pile de l'outil et suivez les consignes apparaissant dans la section Dépannage. IL EST DANGEREUX D'INSÉRER LA MAIN SOUS UNE LAME EN TRAIN DE S'IMMOBILISER.

- **Ne laissez pas la familiarité tirée d'une utilisation fréquente de votre scie à onglet atténuer votre vigilance.** N'oubliez jamais qu'une fraction de seconde d'insouciance suffit à causer des blessures graves.
- **PENSEZ EN TERMES DE SÉCURITÉ. LA SÉCURITÉ EST UNE COMBINAISON DE BON SENS, DE CONNAISSANCE DES CONSIGNES DE SÉCURITÉ ET DE FONCTIONNEMENT, ET DE VIGILANCE CONSTANTE DE LA PART DE L'OPÉRATEUR LORS DE L'UTILISATION DE LA SCIE À ONGLET.**

▲ AVERTISSEMENT

Les travaux à la machine tel que ponçage, sciage, meulage, perçage et autres travaux du bâtiment peuvent créer des poussières contenant des produits chimiques qui sont des causes reconnues de cancer, de malformation congénitale ou d'autres problèmes reproductifs. Ces produits chimiques sont, par exemple :

- Le plomb provenant des peintures à base de plomb,
- Les cristaux de silices provenant des briques et du ciment et d'autres produits de maçonnerie, et
- L'arsenic et le chrome provenant des bois traités chimiquement

Le niveau de risque dû à cette exposition varie avec la fréquence de ces types de travaux. Pour réduire l'exposition à ces produits chimiques, il faut travailler dans un lieu bien ventilé et porter un équipement de sécurité approprié tel que certains masques à poussière conçus spécialement pour filtrer les particules microscopiques.

- **Il existe des consignes de sécurité supplémentaires pour les opérations particulières de la scie dans la section relative au fonctionnement. Lisez le reste du manuel pour une utilisation sûre de la scie.**

« CONSERVEZ CES INSTRUCTIONS »

Sécurité

⚠ AVERTISSEMENT

« LISEZ TOUTES LES INSTRUCTIONS » — L'utilisateur qui négligerait de suivre les CONSIGNES DE SÉCURITÉ précédées d'un point noir (•) ci-dessous et de prendre d'autres précautions élémentaires risquerait de subir de graves blessures.

⚠ AVERTISSEMENT

LES AVERTISSEMENTS CI-APRÈS SE TROUVENT SUR VOTRE OUTIL. CES AVERTISSEMENTS NE SONT QU'UNE FORME CONDENSÉE DES RÈGLES ET PRÉCAUTIONS DE SÉCURITÉ PLUS DÉTAILLÉES QUI APPARAISSENT DANS VOTRE MANUEL. ELLES SERVENT À VOUS RAPPELER TOUTES LES RÈGLES DE SÉCURITÉ NÉCESSAIRES À UNE UTILISATION SÛRE DE CETTE SCIE À ONGLET.



ZONE DÉSIGNÉE DE DANGER. ÉVITER DE PLACER LES MAINS, LES DOIGTS OU LES BRAS DANS LA ZONE DÉSIGNÉE PAR CE SYMBOLE.

⚠ AVERTISSEMENT

N'utilisez pas la scie si des capots manquent ou ne fonctionnent pas. • Si le protecteur ne travaille pas en douceur, cessez de scier et faites réparer l'outil avant de procéder. • Remettez le protecteur à la position de service après avoir changé la lame. • Ne mettez jamais la main en travers de la trajectoire anticipée de la lame de scie. • Ne placez pas les mains derrière, sous ou devant la lame. • Gardez les mains à une distance sûre de la lame de scie. • Après avoir mis la scie en position d'arrêt, maintenez toujours la tête de scie en bas et attendez l'arrêt de la lame avant d'enlever les pièces sciées, de nettoyer la table ou de changer les réglages de l'outil. • Déployez l'embase coulissante et le guide lorsque vous faites des coupes en biseau ou en angle composé ou lorsque la table est tournée vers la gauche afin d'éviter tout contact avec le système de protection. • Serrez l'ouvrage contre la base et le guide. N'effectuez jamais aucune opération à "main libre".

⚠ AVERTISSEMENT

Pour réduire le risque de blessures, l'utilisateur doit lire et comprendre le guide de l'utilisateur. • Portez une protection oculaire et anti-poussière. • Utilisez des lames de diamètre 10 po dont la vitesse nominale est d'au moins 4300 tr/min. • Enlevez le bloc-pile avant d'entretenir la lame ou de la changer. • Utilisez uniquement avec la pile BAT030, BAT031.

⚠ ADVERTENCIA

Para reducir el riesgo de lesiones, el usuario debe leer y entender la guía del usuario. • Use protección de los ojos y máscara antipolvo. • Use hojas de sierra de 10 pulgadas de diámetro con capacidad nominal de 4300 rpm o superior. • Quite el paquete de batería antes de dar servicio a la herramienta o cambiar la hoja. • Usar solamente con la batería BAT030, BAT031.

« CONSERVEZ CES INSTRUCTIONS »

Sécurité

⚠ AVERTISSEMENT

« LISEZ TOUTES LES INSTRUCTIONS » — L'utilisateur qui négligerait de suivre les CONSIGNES DE SÉCURITÉ précédées d'un point noir (•) ci-dessous et de prendre d'autres précautions élémentaires risquerait de subir de graves blessures.

Chargeur de pile

- **Avant d'utiliser le chargeur de pile, lisez toutes les consignes et tous les marquages d'avertissement sur (1) le chargeur de pile, (2) le bloc-pile et (3) le produit utilisant la pile.**
- **N'utilisez que le chargeur qui accompagnait votre produit ou remplacement direct, comme indiqué dans le catalogue ou ce manuel.** Ne substituez aucun autre chargeur. N'utiliser que les chargeurs approuvés par Bosch avec votre produit. Voir Description fonctionnelle et Spécifications.
- **Ne désassemblez pas le chargeur et ne l'utilisez pas s'il a reçu un choc violent, s'il est tombé ou s'il a été endommagé par ailleurs. Remplacez immédiatement les cordons ou les fiches abîmés.** Un remontage incorrect ou des dommages peuvent provoquer un incendie ou des secousses électriques.
- **Ne rechargez pas la pile dans un environnement mouillé ou humide. N'exposez pas le chargeur à la pluie ou la neige. Si le boîtier de la pile est fissuré ou endommagé par ailleurs, ne l'insérez pas dans le chargeur.** Il pourrait y avoir un incendie ou un court-circuit de pile.
- **Ne chargez que des piles rechargeables approuvées par Bosch.** Voir Description fonctionnelle et Spécifications. Les autres types de piles peuvent éclater causant ainsi des blessures et des dommages.
- **Chargez le bloc-pile à des températures de plus de 4 degrés C (+40°F) et de moins de 41 degrés C (+105°F).** Conservez l'outil et le bloc-pile à des endroits où la température ne descend pas sous 4 degrés C ou ne dépasse pas 49 degrés C. Laissez le bloc-pile revenir à la température ambiante avant de tenter de charger. Ceci est important pour prévenir des dommages considérables aux éléments des piles.
- **Il peut y avoir une fuite de pile dans des conditions extrêmes d'utilisation ou de température. Évitez tout contact avec la peau et les yeux.** Le liquide de pile est caustique et pourrait causer des brûlures chimiques aux tissus. Si le liquide vient en contact avec la peau, lavez rapidement à l'eau savonneuse, puis au jus de citron ou au vinaigre. Si le liquide vient en contact avec les yeux, rincez-les à l'eau pendant au moins 10 minutes et sollicitez des soins médicaux.
- **Posez le chargeur sur une surface plate inflammable et à distance de matériaux inflammables lorsqu'on recharge un bloc-piles.** Le chargeur et le bloc-piles s'échauffent pendant la charge. Le coussinet de mousse souple et autres surfaces isolantes empêchent la circulation normale de l'air, ce qui peut provoquer une surchauffe du chargeur et du bloc-piles. S'il y a dégagement de fumée ou si le boîtier fond, débranchez le chargeur immédiatement et n'utilisez ni le chargeur, ni le bloc-piles.
- **L'utilisation d'un accessoire non recommandé ni vendu par Bosch peut causer des risques d'incendie, de chocs électriques ou de lésions corporelles.**

Entretien des piles

⚠ AVERTISSEMENT

Lorsque les piles ne sont pas dans l'outil ou le chargeur, gardez-les à l'écart d'objets métalliques. Ainsi, pour éviter un court-circuitage des bornes, **NE PLACEZ PAS** les piles dans la boîte à outils ou dans la poche avec des clous, des vis, des clés, etc. Ceci peut provoquer un incendie ou des blessures.

⚠ AVERTISSEMENT

Afin d'éviter tout risque d'incendie ou de blessure lorsque les piles ne sont pas dans l'outil ou dans le chargeur, **placez toujours un capuchon de sécurité sur l'extrémité du bloc-piles.** Le capuchon de protection protège contre les courts circuits aux bornes.

NE METTEZ PAS LES PILES AU FEU ET NE LES EXPOSEZ PAS À UNE CHALEUR ÉLEVÉE. Elles peuvent exploser.

Mise au rebut des piles

⚠ AVERTISSEMENT

Ne tentez pas de désassembler le bloc-piles ou d'enlever tout composant faisant saillie des bornes de piles, ce qui peut provoquer un incendie ou des blessures. Avant la mise au rebut, protégez les bornes exposées à l'aide d'un ruban isolant épais pour prévenir le court-circuitage.

Piles nickel-cadmium

Si le produit est équipé d'une pile nickel-cadmium, la pile doit être ramassée, recyclée ou mise au rebut d'une manière qui ne soit pas nocive pour l'environnement.



“Le sceau RBRC de recyclage des piles, homologué par l'EPA (Agence pour la protection de l'environnement des États-Unis), qui se trouve sur les piles au nickel-cadmium (Ni-Cd) indique que Robert Bosch Tool Corporation participe volontairement à un programme industriel de ramassage et de

recyclage de ces piles au terme de leur vie utile, pourvu qu'elles soient mises hors service aux États-Unis ou au Canada. Le programme du RBRC offre une alternative pratique à la mise des piles au Ni-Cd usées au rebut ou au ramassage d'ordures municipal, ce qui pourrait être interdit dans votre région.

Veillez appeler le 1-800-8-BATTERY pour obtenir de plus amples renseignements sur le recyclage des piles au Ni-Cd et sur les restrictions ou interdictions de mise au rebut qui s'appliquent à votre région ou renvoyez vos piles à un Centre de Service Skil/Bosch/Dremel pour recyclage. La participation de Robert Bosch Tool Corporation à ce programme s'insère dans le contexte de notre engagement à préserver notre environnement et à conserver nos ressources naturelles.”

Piles nickel-hydrure de métal

Si le produit est équipé d'une pile nickel-hydrure de métal, la pile peut être mise au rebut dans un flux de déchets solides municipaux.

« **CONSERVEZ CES INSTRUCTIONS** »

Table des matières

	Page		Page
Sécurité	10-14	Réglage de l'indicateur de l'échelle graduée d'onglet (Vernier)	43
Consignes générales de sécurité pour les outils d'établi	10-11	Réglage du cran d'arrêt moulures en couronne (biseau)	43
Consignes de sécurité pour les scies à onglet	11-13	Installation	44-47
Chargeur de pile	14	Applications de montage	47
Entretien des piles	14	Opérations de base de la scie	49-55
Mise au rebut des piles	14	Position du corps et des mains	49
Table des matières	14	Support de l'ouvrage	51-53
Frien électriques	15	Actionnement de l'interrupteur	53
Description fonctionnelle et spécifications	15	Court-circuitage du cran d'arrêt	55
Familiarisez-vous avec votre scie à onglet	16-17	Rallonge de base/guide à glissière	55
Assemblage	26-32	Opérations de la scie	57-72
Outils nécessaires à l'assemblage et à l'alignement	26	Coupe à l'onglet	57
Déballage et vérification du contenu	29	Coupe en biseau	59
Pose du bouton de blocage d'onglet	29	Coupes composées	61
Pose et dépose de la lame	31	Moulures de base	63
Assemblage du coude de poussière et du sac à poussière	33	Coupe de moulures en couronne	65-70
Réglages	35-43	Coupes spéciales	73
Lame d'équerre par rapport à la table (90°)	35	Charge du bloc-pile	75
Lame à 45° par rapport à la table	37	Accessoires	76
Lame d'équerre par rapport au guide	39	Rallonges	76
Utilisation de l'échelle graduée d'onglet et de l'échelle graduée Vernier	40	Remplacement des balais de moteur	78-80
		Dépannage	82-84

Frein électrique

Votre scie est équipée d'un frein électrique automatique qui est conçu de manière à empêcher la lame de tourner environ cinq (5) secondes après que vous ayez relâché la gâchette de commande. Cette particularité est utile pour pratiquer certaines coupes dans le bois alors qu'une lame qui se déplace par inertie entraînerait une coupe large et imprécise.

Le frein électrique de lame de votre scie a été conçu en vue du plus haut niveau de fiabilité, mais il se peut que le frein ne soit pas actionné sous l'effet de circonstances imprévues telles que la contamination sur le commutateur et les balais ou la défaillance des composants du moteur. Dans ce cas, mettez la scie en marche et à l'arrêt quatre ou cinq fois en évitant tout contact entre la scie et le matériau. Si l'outil fonctionne mais le frein n'arrête pas uniformément la lame en environ cinq (5) secondes, N'utilisez PAS la scie et faites-la réparer immédiatement.

L'action de freinage de cette scie n'est pas destinée à servir de mesure de sécurité. N'oubliez pas de laisser la lame de scie s'arrêter complètement avant de la retirer du matériau. Comme toujours, le système de protecteurs constitue la meilleure façon d'éviter le contact accidentel avec une lame de scie qui tourne. Vous ne devez JAMAIS ouvrir en forçant ni empêcher l'action de fermeture du protecteur inférieur.

⚠ AVERTISSEMENT Lorsque les balais atteignent une longueur préalablement établie de service sous l'effet de l'usure normale, ils interrompent le courant électrique à la scie. À mesure que le courant est interrompu, le moteur vient progressivement à l'arrêt, et il ne fonctionne pas tant que les balais ne sont pas remplacés. Les balais DOIVENT être remplacés en ensemble. N'utilisez que les balais « interrupteurs » spéciaux conçus pour cette scie ; d'autres peuvent ne pas fonctionner avec l'action de freinage.

Description fonctionnelle et spécifications

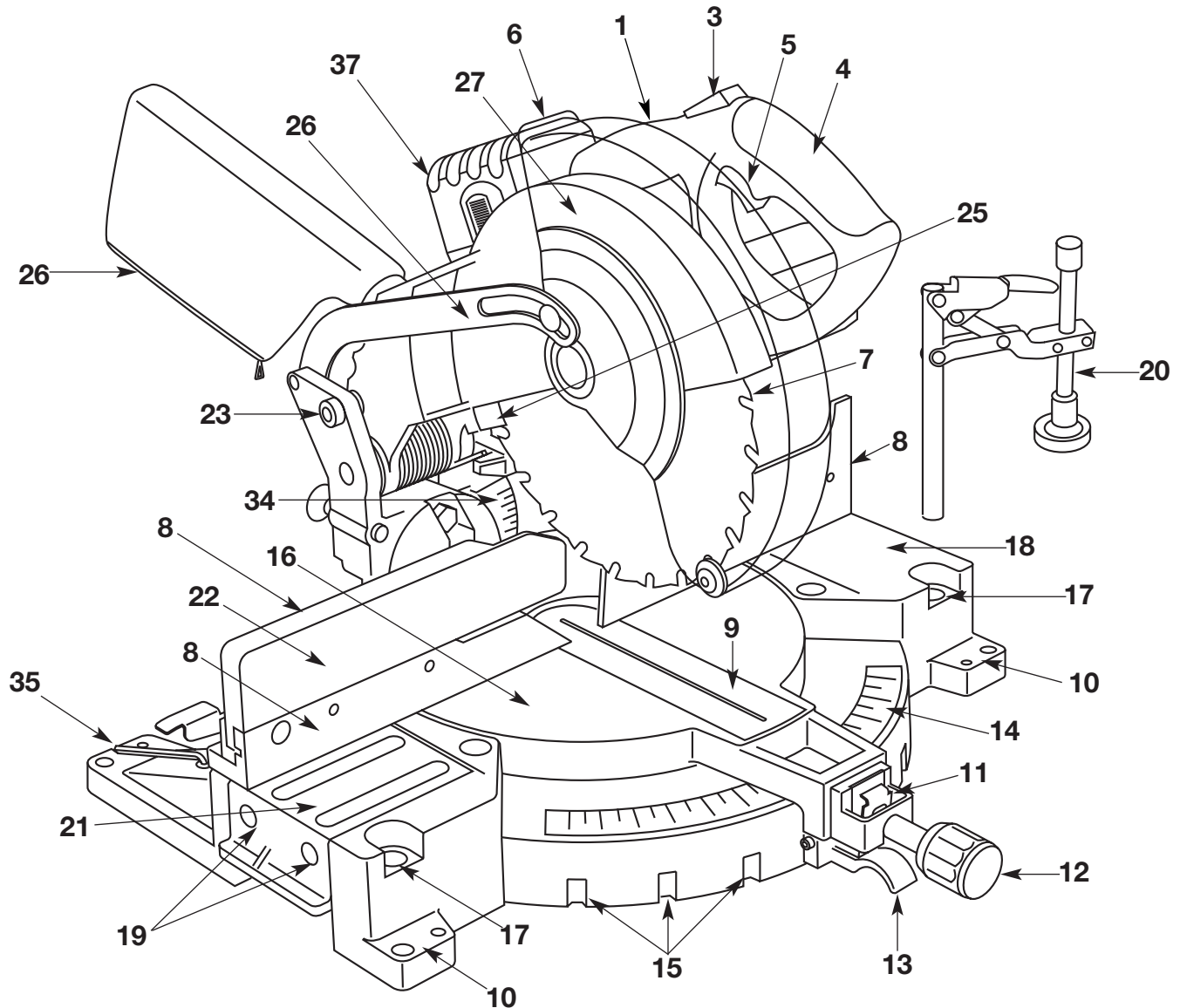
Cordless Miter Saw

Numéro de modèle	3924-24	Numéro de modèle	3924B-24	Capacités maximales	
Tension nominale	24 V ===	Tension nominale	24 V ===	Lame	254 mm
Régime à vide	n ₀ 3,600/min	Régime à vide	n ₀ 3,600/min	Profondeur de coupe à 90°	51 mm
Chargeur	BC004, BC006, et BC016	(Non compris avec le modèle 3924B-24)		Profondeur de coupe à 45°	76 mm
Bloc-pile	BAT030 et BAT031	(Non compris avec le modèle 3924B-24)			
Intensité nominale	2,5 A	Intensité nominale	2,5 A		
Tension nominale	120 V ~ 60 Hz	Tension nominale	120 V ~ 60 Hz		
Temps de Charge	1 hr.	Temps de Charge	1 hr.		

Le chargeur BC006 nécessite une puissance d'alimentation de 12 V CC.

NOTE : N'UTILISER QUE LES CHARGEURS REPERTORIES CI-DESSUS

Familiarisez-vous avec votre scie à onglet



⚠ AVERTISSEMENT Débranchez le bloc-pile de l'outil avant d'effectuer tout assemblage ou réglage ou de changer les accessoires ou de ranger l'outil. Ces mesures de sécurité préventives réduisent le risque d'une mise en marche accidentelle.

1. Poignée de transport

Cette poignée est incorporée dans la tête pour le transport.

2. Blocage d'arbre

Permet à l'utilisateur d'empêcher la lame de tourner tout en serrant ou desserrant la vis de l'arbre durant le remplacement ou la dépose de la lame.

3. Interrupteur de sécurité

L'interrupteur de sécurité est conçu pour éviter les mises en marche accidentelles. Le bouton de déclenchement doit être enfoncé pour activer l'interrupteur d'alimentation.

4. Poignée-interrupteur

Cette poignée contient l'interrupteur. La lame est abaissée dans l'ouvrage en poussant/tirant la poignée vers le bas.

5. Interrupteur d'alimentation

L'interrupteur d'alimentation utilisé avec l'interrupteur de sécurité met l'appareil sous tension.

6. Protecteur inférieur de lame/rebord de protecteur inférieur

Le protecteur inférieur de lame aide à protéger vos mains contre la lame en rotation. Il se rétracte au fur et à mesure que la lame est abaissée. Le rebord peut être utilisé pour lever le protecteur inférieur lorsque le protecteur se coince sur un ouvrage.

7. Lame

Pour la meilleure exécution, utilisez uniquement des lames à voie étroite de 10 po avec un trou d'arbre de 5/8 po.

8. Guide

Supporte l'ouvrage. Le guide possède une échelle graduée incorporée pour faciliter les coupes à répétition. Le guide comporte également des trous qui servent à fixer un guide auxiliaire, si désiré.

9. Insert de trait de scie

Réduit au minimum le déchirement du matériau.

10. Coussinets de montage de l'outil

Les quatre coins de la scie comportent des surfaces permettant de cramponner, boulonner ou clouer la scie à une surface de travail plate.

11. Court-circuitage du cran d'arrêt

Permet d'inhiber le cran d'arrêt et d'ainsi effectuer des microréglages à tout angle d'onglet.

12. Bouton de blocage d'onglet

Le bouton de blocage d'onglet bloque la table de la scie à onglet à tout angle d'onglet désiré.

13. Gâchette de cran d'arrêt d'onglet

La gâchette engage ou libère la table du cran d'arrêt.

14. Échelle graduée d'onglet

Cette échelle est moulée dans la base de la scie. Vous aide à lire les angles d'onglet.

15. Crans d'arrêt

Il existe neuf (9) crans d'arrêt d'onglet en vue de coupes rapides et exactes d'angles courants d'onglet.

16. Table

Repose dans la base, supporte l'ouvrage, tourne pour coupes à onglet désirées et tourne la tête.

17. Positions du serre-joint à action rapide

Six (6) positions derrière le guide pour le serre-joint à action rapide.

18. Base

Assure une surface de travail pour supporter l'ouvrage.

19. Trous pour l'accessoire rallonge/butée

Trous usinés pouvant recevoir l'accessoire rallonge/butée.

20. Serre-joint à action rapide

Permet un cramponnage rapide de l'ouvrage.

21. Base à glissière

Cette base offre un plus grand support et une aire de serrage étendue pour les coupes combinées à onglet.

22. Guide à glissière

Assure un support de hauteur maximum pour l'ouvrage et glisse vers la gauche afin de faciliter les coupes combinées.

23. Cheville de blocage

La scie à onglet composée est pourvue d'une cheville de blocage servant à bloquer la tête en position abaissée.

24. Butée de biseau de 33,9° (moules en couronne)

Butée réglable pour des coupes rapides et précises de 33,9°.

25. Déflecteur de copeaux

Ce déflecteur empêche les gros copeaux de pénétrer dans le protecteur supérieur.

26. Raccord d'actionnement du protecteur inférieur

Permet un mouvement en douceur du protecteur inférieur.

27. Protecteur supérieur de lame

Couvre la partie supérieure de la lame.

28. Clé à lame

Sert à serrer/desserrer la lame et à régler les butées de biseau. La clé à lame est rangée dans le boîtier à poignée.

29. Cheville d'arrêt de biseau (réglage moules en couronne)

Vous permet de déplacer facilement la tête à l'angle de biseau de 33,9°.

30. Sac de ramassage de poussière

Se fixe au raccord d'aspiration et ramasse la poussière pour aider à maintenir la surface de travail propre.

31. Poignée de blocage de biseau

La poignée de blocage de biseau bloque la tête à l'angle de biseau désiré. Cliquets de poignée pour usage dans les espaces restreints.

32. Butée de biseau de 45°

Butée réglable pour un repère rapide et exact de biseau de 45°.

33. Butée de biseau de 0°

Butée réglable pour un repère rapide et exact de biseau de 0°.

34. Échelle graduée de biseau

Cette échelle est moulée dans la scie. Vous aide à lire les angles de biseau.

35. Clé hexagonale (6 mm)

Sert à régler la base coulissante et le guide. La clé hexagonale se range dans la base arrière gauche.

36. Capuchons de balai

Ces capuchons gardent les balais de moteur en place et facilitent l'accès pour inspection et remplacement des balais.

37. Bloc-pile de 24 V (Non compris avec le modèle 3924B-24)

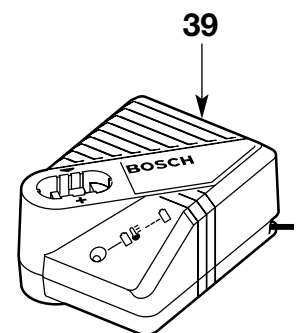
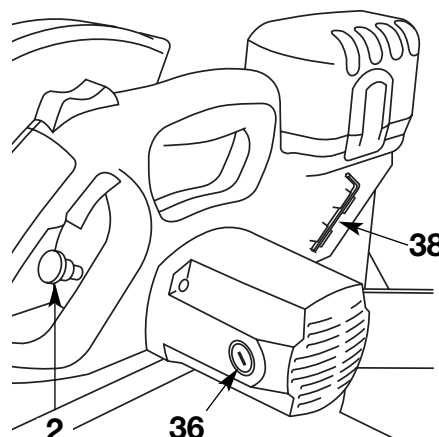
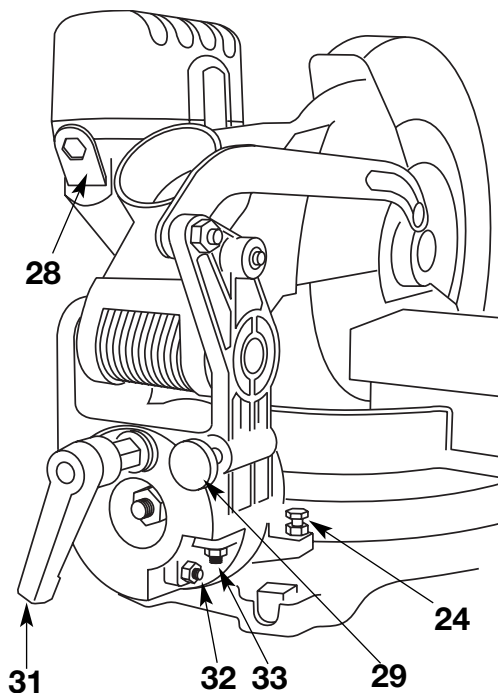
Bloc-pile rechargeable qui alimente la scie.

38. Clé hexagonale (3 mm)

Sert à régler les vis de butée de biseau de 0 et 45°. La clé hexagonale se range dans la poignée.

39. Chargeur (Non compris avec le modèle 3924B-24)

Charge le bloc-pile qui alimente l'outil.



POUR CONTINUATION DU FRANÇAIS, REPORTEZ-VOUS À LA PAGE 26.

Seguridad

⚠️ ADVERTENCIA

“LEA TODAS LAS INSTRUCCIONES”. El incumplimiento de las NORMAS DE SEGURIDAD identificadas por el símbolo del PUNTO NEGRO (•) que se indican A CONTINUACION y otras precauciones de seguridad puede dar lugar a lesiones personales graves.

Normas generales de seguridad para herramientas para tablero de banco

Area de trabajo

- **Mantenga limpia y bien iluminada el área de trabajo.** Los bancos desordenados y las áreas oscuras invitan a que se produzcan accidentes.
- **No utilice herramientas mecánicas en atmósferas explosivas, tales como las existentes en presencia de líquidos, gases o polvos inflamables.** Las herramientas mecánicas generan chispas y éstas pueden dar lugar a la ignición del polvo o los vapores.
- **Mantenga alejadas a las personas que se encuentren presentes, a los niños y a los visitantes mientras esté utilizando una herramienta mecánica.** Las distracciones pueden hacerle perder el control.
- **Guarde las herramientas que no esté usando fuera del alcance de los niños y otras personas no capacitadas.** Las herramientas son peligrosas en las manos de los usuarios no capacitados.
- **No deje desatendida la herramienta en marcha. Apáguela.** No deje la herramienta hasta que se haya detenido por completo.
- **HAGA EL TALLER A PRUEBA DE NIÑOS** con candados, interruptores maestros o quitando las llaves de arranque.

Seguridad eléctrica

- **No abuse del cordón. Nunca use el cordón para llevar la herramienta. Mantenga el cordón alejado del calor, el aceite, los bordes afilados o las piezas móviles. Cambie los cordones dañados inmediatamente.** Los cordones dañados pueden causar un incendio.
- **Una herramienta accionada por baterías que tenga baterías integradas o un paquete de baterías separado se debe recargar solamente con el cargador especificado para la batería.** Un cargador que puede ser adecuado para un tipo de batería puede crear un peligro de incendio cuando se usa con otra batería.
- **Utilice la herramienta accionada por baterías solamente con el paquete de baterías designado específicamente.** El uso de cualquier otra batería puede crear un peligro de incendio.

Seguridad personal

- **Manténgase alerta, fíjese en lo que está haciendo y use el sentido común cuando utilice una herramienta mecánica. No use la herramienta cuando esté cansado o se encuentre bajo la influencia de drogas, alcohol o medicamentos.** Un momento de distracción al utilizar herramientas mecánicas puede dar lugar a lesiones personales graves.

- **Vístase adecuadamente. No se ponga ropa holgada ni joyas. Sujétese el pelo largo. Mantenga el pelo, la ropa y los guantes alejados de las piezas móviles. La ropa holgada, las joyas o el pelo largo pueden quedar atrapados en las piezas móviles.** Súbase las mangas largas por encima de los codos. Se recomiendan guantes de caucho y calzado antideslizante cuando se trabaja a la intemperie.
- **Evite el arranque accidental. Asegúrese de que el interruptor esté en la posición fijada o de apagado antes de introducir el paquete de baterías.** Llevar herramientas con el dedo en el interruptor o introducir el paquete de baterías en una herramienta con el interruptor en la posición de encendido invita a que se produzcan accidentes.
- **Quite las llaves de ajuste o las llaves de tuerca antes de encender la herramienta.** Una llave de tuerca o de ajuste que se deje puesta en una pieza giratoria de la herramienta saldrá despedida.
- **No intente alcanzar demasiado lejos. Mantenga un apoyo de los pies y un equilibrio adecuados en todo momento. El apoyo de los pies y el equilibrio adecuados permiten un mejor control de la herramienta en situaciones inesperadas.**
- **No se suba en la herramienta ni en su base.** Se pueden producir lesiones graves si la herramienta vuelca o si se hace contacto con la herramienta de corte accidentalmente. No guarde materiales sobre ni cerca de la herramienta de tal modo que sea necesario subirse a la herramienta o a su base para alcanzarlos.
- **Utilice equipo de seguridad. Use siempre gafas de seguridad.** Se debe utilizar una máscara antipolvo, calzado de seguridad, casco o protección en los oídos según lo requieran las condiciones. Los lentes de uso diario sólo tienen lentes resistentes a los golpes. NO son gafas de seguridad.

Utilización y cuidado de las herramientas

- **Utilice abrazaderas u otro modo práctico de fijar y soportar la pieza de trabajo en una plataforma estable.** La sujeción de la pieza de trabajo con la mano o contra el cuerpo resulta inestable. Permite que la pieza de trabajo se desplace y cause atasco de la herramienta y pérdida de control.
- **No fuerce la herramienta. Use la herramienta correcta para la aplicación que desea.** La herramienta correcta hará el trabajo mejor y con más seguridad a la capacidad nominal para la que está diseñada. No utilice la herramienta para propósitos para los que no está diseñada. Por ejemplo, no use la sierra para cortar ingletes para trocear metales.
- **No utilice la herramienta si el interruptor no la enciende o apaga.** Cualquier herramienta que no se pueda controlar con el interruptor es peligrosa.
- **Desconecte el paquete de baterías de la herramienta antes de realizar cualquier ensamblaje, ajuste o cambio de accesorios, o de almacenar la herramienta.** Dichas medidas preventivas de seguridad reducen el riesgo de arrancar la herramienta accidentalmente.

“CONSERVE ESTAS INSTRUCCIONES”

Seguridad

⚠ ADVERTENCIA

“LEA TODAS LAS INSTRUCCIONES”. El incumplimiento de las NORMAS DE SEGURIDAD identificadas por el símbolo del PUNTO NEGRO (●) que se indican A CONTINUACION y otras precauciones de seguridad puede dar lugar a lesiones personales graves.

- **Mantenga las herramientas de corte afiladas y limpias.** Es menos probable que las herramientas mantenidas adecuadamente, con bordes de corte afilados, se atasquen, y son más fáciles de controlar. Al montar hojas de sierra, asegúrese de que la flecha de la hoja coincida con el sentido de la flecha marcada en la herramienta y de que los dientes también estén orientados en el mismo sentido.
- **Inspeccione los protectores antes de usar una herramienta. Mantenga los protectores en su sitio. Compruebe si las piezas móviles se atascan o si existe cualquier otra situación que pueda afectar el funcionamiento normal o los dispositivos de seguridad de la herramienta. Si la herramienta se daña, haga que realicen servicio de ajustes y reparaciones antes de usarla.** Muchos accidentes son causados por herramientas mal mantenidas.
- **No altere ni haga uso incorrecto de la herramienta.** Cualquier alteración o modificación constituye un uso incorrecto y puede dar lugar a lesiones personales graves.
- **La utilización de cualquier otro accesorio no especificado en este manual puede constituir un peligro.** Los accesorios que pueden ser adecuados para un tipo de herramienta pueden resultar peligrosos cuando se utilizan en una herramienta inadecuada.

Servicio

- **El servicio de ajustes y reparaciones de una herramienta debe ser realizado únicamente por personal de reparaciones competente.** El servicio o mantenimiento realizado por personal no competente puede tener como resultado una colocación incorrecta de los cables y componentes internos que podría causar un peligro grave.
- **Al realizar servicio de ajustes y reparaciones de una herramienta, utilice únicamente piezas de repuesto idénticas. Siga las instrucciones que figuran en la sección Mantenimiento de este manual.** El uso de piezas no autorizadas o el incumplimiento de las instrucciones de Mantenimiento puede constituir un peligro.

Normas de seguridad para sierras para cortar ingletes

- **Use abrazaderas para soportar la pieza de trabajo siempre que sea posible. Si soporta la pieza de trabajo con la mano, siempre debe mantener la mano fuera del área de “No tocar con la mano” según se marca con un símbolo en la base. No use esta sierra para cortar piezas que sean demasiado pequeñas para fijarlas firmemente con abrazaderas.** Si coloca la mano dentro de la región de “No tocar con la mano”, ésta puede resbalar o experimentar tracción hacia la hoja.
- **No ponga ninguna mano detrás de la hoja de sierra tras el tope-guía para sujetar o soportar la pieza de trabajo, quitar desechos de madera ni por cualquier otra razón.** Puede que la proximidad de la mano a la hoja de sierra que gira no sea obvia, y sin embargo usted puede resultar lesionado gravemente.
- **Nunca atraviese la mano sobre la línea de corte prevista.** Es muy peligroso soportar la pieza de trabajo “con las manos cruzadas”, es decir, sujetando el lado izquierdo de la pieza de trabajo con la mano derecha.
- **Desconecte el paquete de baterías de la herramienta antes de realizar cualquier ensamblaje, ajuste o cambio de accesorios, o de almacenar la herramienta.** Dichas medidas preventivas de seguridad reducen el riesgo de arrancar la herramienta accidentalmente.
- **Las sierras para cortar ingletes están diseñadas principalmente para cortar madera o productos parecidos a la madera y no se pueden usar con ruedas de corte abrasivas para cortar material ferroso tal como barras, varillas, espigas, etc. Sin embargo, si corta materiales como aluminio u otros materiales no ferrosos, utilice únicamente hojas de sierra recomendadas específicamente para el corte de metales no ferrosos.** El corte de materiales ferrosos genera un exceso de chispas, dañará el protector inferior y sobrecargará el motor. (NOTA: Robert Bosch Tool Corporation no ofrece hojas de 10" para cortar metales.)
- **Inspeccione la pieza de trabajo antes de cortar. Si la pieza de trabajo está arqueada o combada, fijela con el lado arqueado exterior orientado hacia el tope-guía. Asegúrese siempre de que no haya espacio libre entre la pieza de trabajo, el tope-guía y la mesa a lo largo de la línea de corte.** Las piezas de trabajo arqueadas o combadas pueden torcerse u oscilar y pueden causar atasco en la hoja de sierra que gira durante el corte. Además, asegúrese de que no haya clavos ni objetos extraños en la pieza de trabajo.
- **No use la sierra hasta que se hayan retirado de la mesa todas las herramientas, desechos de madera, etc., excepto la pieza de trabajo.** Los desperdicios pequeños o las piezas sueltas de madera u otros objetos que hagan contacto con la hoja que gira pueden salir despedidos a alta velocidad hacia el operador.
- **No haga avanzar la pieza de trabajo hacia la hoja ni corte a pulso de ningún modo. La pieza de trabajo debe estar estacionaria y fijada con abrazaderas o sujeta con la mano.** Se debe hacer avanzar la sierra a través de la pieza de trabajo de modo suave y a una velocidad que no sobrecargue el motor de la sierra.
- **Corte únicamente una pieza de trabajo por vez.** No se pueden fijar con abrazaderas ni sujetar de modo adecuado múltiples piezas de trabajo y éstas pueden atascarse en la hoja o desplazarse durante el corte.
- **Asegúrese de que la sierra para cortar ingletes esté montada o colocada sobre una superficie de trabajo nivelada y firme antes de utilizarla.** Una superficie de trabajo nivelada y firme reduce el riesgo de que la sierra para cortar ingletes se vuelva inestable.

“CONSERVE ESTAS INSTRUCCIONES”

Seguridad

⚠️ ADVERTENCIA

“LEA TODAS LAS INSTRUCCIONES”. El incumplimiento de las NORMAS DE SEGURIDAD identificadas por el símbolo del PUNTO NEGRO (●) que se indican A CONTINUACION y otras precauciones de seguridad puede dar lugar a lesiones personales graves.

- **Planifique el trabajo que va a hacer. Proporcione accesorios de soporte adecuados, tales como mesas, caballetes de aserrar, extensiones de mesa, etc., para piezas de trabajo más anchas o más largas que el tablero de la mesa (vea la página 51).** Las piezas de trabajo más largas o más anchas que la mesa de la sierra para cortar ingletes se pueden inclinar si no se soportan adecuadamente. Si la pieza cortada o la pieza de trabajo se inclina, puede hacer subir el protector inferior o salir despedida por acción de la hoja que gira.
- **No use a otra persona como sustituto de una extensión de mesa o como soporte adicional.** Un soporte inestable de la pieza de trabajo puede hacer que la hoja se atasque o que la pieza de trabajo se desplace durante la operación de corte, tirando de usted y del ayudante hacia la hoja que gira.
- **La pieza cortada no debe estar bloqueada contra ningún otro medio ni presionada por ningún otro medio contra la hoja de sierra que gira.** Si se confina, es decir, si se usan topes de longitud, podría quedar acuñada contra la hoja y salir despedida violentamente.
- **Use siempre una abrazadera o un dispositivo de sujeción diseñado para soportar adecuadamente material redondo tal como varillas con espiga o tubos.** Las varillas tienen tendencia a rodar mientras son cortadas, haciendo que la hoja “muera” la pieza de trabajo y tire de ésta, junto con la mano del operador, hacia la hoja.
- **Al cortar piezas de trabajo que tienen forma irregular, planifique su trabajo de modo que la pieza de trabajo no resbale y pellizque la hoja y le sea arrancada de la mano.** Por ejemplo, una pieza de moldura debe estar colocada en posición horizontal o estar sujeta por un dispositivo de sujeción o un posicionador que no permita que la pieza se tuerza, oscile o resbale mientras esté siendo cortada.
- **Deje que la hoja alcance toda su velocidad antes de hacer contacto con la pieza de trabajo.** Esto ayudará a evitar que las piezas de trabajo salgan despedidas.
- **Si la pieza de trabajo o la hoja se atasca o engancha, apague la sierra para cortar ingletes soltando el interruptor. Espere a que todas las piezas móviles se detengan y Desconecte el paquete de baterías de la herramienta.** Luego, suelte el material atascado. El aserrado continuo de una pieza de trabajo atascada podría causar pérdida de control o daños a la sierra para cortar ingletes compuestos.
- **La acción de frenado de la sierra hace que el cabezal de la sierra dé sacudidas hacia abajo. Este preparado para esta**

reacción al hacer un corte incompleto o al soltar el interruptor antes de que el cabezal esté en la posición completamente hacia abajo.

- **Después de terminar el corte, suelte el interruptor, sujete el brazo de la sierra hacia abajo y espere a que la hoja se detenga antes de retirar la pieza de trabajo o la pieza cortada. Si la hoja no se detiene al cabo de cinco (5) segundos, Desconecte el paquete de baterías de la herramienta y siga las instrucciones que figuran en la sección Localización y reparación de averías. ¡ES PELIGROSO PONER LA MANO BAJO UNA HOJA QUE aun GIRA POR INERCIA!**
- **No permita que la familiarización obtenida por el uso frecuente de la sierra para cortar ingletes se vuelva algo habitual.** Recuerde siempre que un descuido de una fracción de segundo es suficiente para causar una lesión grave.
- **¡PIENSE EN LA SEGURIDAD! LA SEGURIDAD ES UNA COMBINACION DE SENTIDO COMUN Y CONOCIMIENTO DE LAS INSTRUCCIONES DE SEGURIDAD Y DE FUNCIONAMIENTO POR PARTE DEL OPERADOR Y DE QUE ESTE PERMANEZCA ALERTA EN TODO MOMENTO MIENTRAS SE ESTA UTILIZANDO LA SIERRA PARA CORTAR INGLETES.**

⚠️ ADVERTENCIA

Cierto polvo generado por el lijado, aserrado, amolado y taladrado mecánicos, y por otras actividades de construcción, contiene agentes químicos que se sabe que causan cáncer, defectos de nacimiento u otros daños sobre la reproducción. Algunos ejemplos de estos agentes químicos son:

- Plomo de pinturas a base de plomo,
- Sílice cristalina de ladrillos y cemento y otros productos de mampostería, y
- Arsénico y cromo de madera tratada químicamente.

Su riesgo por causa de estas exposiciones varía, dependiendo de cuánta frecuencia realice este tipo de trabajo. Para reducir su exposición a estos agentes químicos: trabaje en un área bien ventilada y trabaje con equipo de seguridad aprobado, como por ejemplo máscaras antipolvo que estén diseñadas especialmente para impedir mediante filtración el paso de partículas microscópicas.

- **Hay instrucciones de seguridad adicionales para operaciones específicas de la sierra en la sección de operaciones. Lea el resto del manual para informarse sobre la utilización con seguridad.**

“CONSERVE ESTAS INSTRUCCIONES”

Seguridad

⚠ ADVERTENCIA

“LEA TODAS LAS INSTRUCCIONES”. El incumplimiento de las NORMAS DE SEGURIDAD identificadas por el símbolo del PUNTO NEGRO (●) que se indican A CONTINUACION y otras precauciones de seguridad puede dar lugar a lesiones personales graves.

⚠ ADVERTENCIA

LAS ADVERTENCIAS QUE SE MUESTRAN A CONTINUACION SE PUEDEN ENCONTRAR EN LA HERRAMIENTA. ESTAS ADVERTENCIAS SON SOLAMENTE UNA FORMA CONDENSADA DE LAS NORMAS Y PRECAUCIONES DE SEGURIDAD MAS DETALLADAS QUE APARECEN EN EL MANUAL DEL USUARIO. SIRVEN COMO RECORDATORIO DE TODAS LAS NORMAS DE SEGURIDAD NECESARIAS PARA LA UTILIZACION CON SEGURIDAD DE ESTA SIERRA PARA CORTAR INGLETES.



ZONA DESIGNADA DE PELIGRO. EVITE SITUAR LAS MANOS, LOS DEDOS O LOS BRAZOS EN EL AREA DESIGNADA POR ESTE SIMBOLO.

⚠ ADVERTENCIA No utilice la sierra si ésta no tiene los protectores colocados en su sitio y funcionando. • Si el protector no funciona con seguridad, deje de serrar y realice servicio de ajustes y reparaciones antes de continuar. • Devuelva el protector a la posición de funcionamiento después de cambiar la hoja. • Nunca ponga la mano de manera que atraviese el recorrido proyectado de la hoja de sierra. • No ponga las manos detrás, debajo o delante de la hoja. • Mantenga las manos a una distancia segura de la hoja de sierra. • Después de apagar la sierra, mantenga siempre la cabeza de la sierra en posición hacia abajo y espere a que la hoja se detenga antes de quitar las piezas cortadas, limpiar la mesa o cambiar los ajustes de la herramienta. • Extienda la base deslizante y el tope-guía cuando haga cortes en bisel o compuestos, o cuando la mesa esté girada hacia el lado izquierdo para evitar el contacto con el sistema del protector. • Fije con abrazaderas la pieza de trabajo contra la base y el tope-guía.

⚠ AVERTISSEMENT Pour réduire le risque de blessures, l'utilisateur doit lire et comprendre le guide de l'utilisateur. • Portez une protection oculaire et anti-poussière. • Utilisez des lames de diamètre 10 po dont la vitesse nominale est d'au moins 4300 tr/min. • Enlevez le bloc-pile avant d'entretenir la lame ou de la changer. • Utilisez uniquement avec la pile BAT030, BAT031.

⚠ ADVERTENCIA Para reducir el riesgo de lesiones, el usuario debe leer y entender la guía del usuario. • Use protección de los ojos y máscara antipolvo. • Use hojas de sierra de 10 pulgadas de diámetro con capacidad nominal de 4300 rpm o superior. • Quite el paquete de batería antes de dar servicio a la herramienta o cambiar la hoja. • Usar solamente con la batería BAT030, BAT031.

“CONSERVE ESTAS INSTRUCCIONES”

Seguridad

⚠️ ADVERTENCIA

“LEA TODAS LAS INSTRUCCIONES”. El incumplimiento de las NORMAS DE SEGURIDAD identificadas por el símbolo del PUNTO NEGRO (•) que se indican A CONTINUACION y otras precauciones de seguridad puede dar lugar a lesiones personales graves.

Batería/cargador

- **Antes de utilizar el cargador de baterías, lea todas las instrucciones e indicaciones de precaución que se encuentran en (1) el cargador de baterías, (2) el paquete de baterías y (3) el producto que utiliza baterías.**
- **Utilice solamente el cargador que acompañaba el producto o un reemplazo directo según se indica en el catálogo o en este manual.** No sustituirlo por ningún otro cargador. Utilice únicamente cargadores aprobados Bosch con su producto. Consulte Descripción funcional y especificaciones.
- **No desarme el cargador ni lo haga funcionar si ha recibido un golpe brusco, se ha caído o se ha dañado de cualquier modo. Cambie el cordón o los enchufes dañados inmediatamente.** El reensamblaje incorrecto o los daños pueden ocasionar sacudidas eléctricas o incendio.
- **No recargue la batería en un entorno húmedo o mojado. No exponga el cargador a lluvia ni nieve. Si la caja de baterías está agrietada o dañada de algún otro modo, no la introduzca en el cargador.** Se puede producir un cortocircuito de las baterías o un incendio.
- **Cargue únicamente baterías recargables aprobadas Bosch.** Consulte Descripción funcional y especificaciones. Otros tipos de baterías pueden reventar causando lesiones personales y daños.
- **Cargue el paquete de baterías a temperaturas superiores a +40 grados F (4 grados C) e inferiores a +105 grados F (41 grados C). Guarde la herramienta y el paquete de baterías en lugares donde las temperaturas no bajen de 40 grados F (4 grados C) ni suban de 120 grados F (49 grados C). Deje que el paquete de baterías vuelva a estar a temperatura ambiente antes de intentar cargar.** Esto es importante para evitar daños graves a los elementos de la batería.
- **El uso de un accesorio no recomendado ni vendido por Bosch puede constituir un peligro de incendio, sacudidas eléctricas o lesiones a las personas.**
- **Se puede producir un escape del líquido de las baterías bajo condiciones extremas de uso o de temperatura. Evite el contacto con la piel y los ojos.** El líquido de la batería es cáustico y podría causar quemaduras químicas en los tejidos. Si el líquido entra en contacto con la piel, lávela rápidamente con agua y jabón y luego con jugo de limón o vinagre. Si el líquido entra en contacto con los ojos, enjuáguelos con agua durante un mínimo de 10 minutos y obtenga atención médica.
- **Ponga el cargador sobre superficies planas ininflamables y alejado de materiales inflamables cuando recargue el paquete de baterías.** El cargador y el paquete de baterías se calientan durante el proceso de carga. Las alfombras y otras superficies termoaislantes bloquean la circulación adecuada de aire, lo cual puede causar sobrecalentamiento del cargador y del paquete de baterías. Si observa humo o que la carcasa se está derritiendo, desenchufe inmediatamente el cargador y no utilice el paquete de baterías ni el cargador.
- **El uso de un accesorio no recomendado ni vendido por Bosch puede constituir un peligro de incendio, sacudidas eléctricas o lesiones a las personas.**

Cuidado de las baterías

⚠️ ADVERTENCIA

Cuando las baterías no están en la herramienta o en el cargador, manténgalas alejadas de objetos metálicos. Por ejemplo, para evitar que las terminales hagan cortocircuito, **NO** ponga las baterías en una caja de herramientas o en un bolsillo con clavos, tornillos, llaves, etc. Se pueden producir un incendio o lesiones.

⚠️ ADVERTENCIA

Para evitar incendios o lesiones cuando las baterías no estén en la herramienta o en el cargador, ponga siempre la tapa protectora en el extremo del paquete de baterías. La tapa protectora protege contra el cortocircuitado de los terminales.

NO ARROJE LAS BATERIAS AL FUEGO NI LAS EXPONGA AL CALOR INTENSO. Pueden explotar.

Eliminación de las baterías

⚠️ ADVERTENCIA

No intente desarmar la batería ni quitar ninguno de los componentes que sobresalen de las terminales de la batería. Se pueden producir lesiones o un incendio. Antes de tirarla, proteja las terminales que están al descubierto con cinta adhesiva aislante gruesa para prevenir cortocircuitos.

Baterías de níquel-cadmio

Si este producto está equipado con una batería de níquel-cadmio, dicha batería debe recogerse, reciclarse o eliminarse de manera segura para el medio ambiente.



“El sello de reciclaje de baterías RBRC certificado por la EPA que se encuentra en la batería de níquel-cadmio (Ni-Cd) indica que Robert Bosch Tool Corporation está participando voluntariamente en un programa de la industria para recoger y reciclar estas baterías al final de su vida útil, cuando se

retiran de servicio en los Estados Unidos y Canadá. El programa RBRC proporciona una alternativa conveniente a tirar las baterías de Ni-Cd usadas a la basura o a la corriente municipal de aguas residuales, lo cual quizás sea ilegal en su área.

Tenga la amabilidad de llamar al 1-800-8-BATTERY para obtener información acerca de las prohibiciones/restricciones sobre el reciclaje y la eliminación de baterías de Ni-Cd en su lugar o devuelva las baterías a un Centro de servicio Skil/Bosch/Dremel para reciclarlas. La participación de Robert Bosch Tool Corporation en este programa es parte de nuestro compromiso hacia preservar nuestro medio ambiente y conservar nuestros recursos naturales.”

Baterías de níquel-hidruro metálico

Si este producto está equipado con una batería de níquel-hidruro metálico, dicha batería debe eliminarse en un curso de agua municipal para residuos sólidos.

“CONSERVE ESTAS INSTRUCCIONES”

Indice

	Página		Página
Seguridad	18-22	Ajuste del indicador (Vernier) de la escala de ingletes	43
Normas generales de seguridad para herramientas para tablero de banco	18-19	Ajuste de retén para moldura de techo (bisel)	43
Normas de seguridad para sierras para cortar ingletes	19-21	Instalación	45-47
Batería/cargador	22	Aplicaciones de montaje	47
Cuidado de las baterías	22	Operaciones básicas de la sierra	49-55
Eliminación de las baterías	22	Posición del cuerpo y de las manos	49
Indice	23	Soporte de la pieza de trabajo	51-53
Freno eléctrico	23	Activación del interruptor	53
Descripción funcional y especificaciones	23	Sobrecontrol de retén	55
Familiarización con la sierra para cortar ingletes	24-25	Extensión de la base/tope-guía deslizante	55
Ensamblaje	27-33	Operaciones de la sierra	57-73
Herramientas necesarias para el ensamblaje y la alineación	27	Corte a inglete	57
Desempaquetado y comprobación del contenido	29	Corte en bisel	59
Instalación del pomo de fijación de inglete	29	Cortes compuestos	61
Instalación y remoción de la hoja	31	Moldura de base	63
Ensamblaje del codo para polvo y la bolsa para polvo	33	Corte de moldura de techo	65-71
Ajustes	35-45	Cortes especiales	73
Hoja en ángulo recto con la mesa (90°)	35	Carga del paquete de baterías	75
Hoja a 45° respecto a la mesa	37	Accesorios	77
Hoja en ángulo recto con el tope-guía	39	Cordóns de extensiones	77
Uso de la escala de ingletes y la escala Vernier	41	Mantenimiento y lubricación	79-81
		Localización y reparación de averías	83-85

Freno eléctrico

La sierra está equipada con un freno eléctrico automático que está diseñado para hacer que la hoja deje de girar en unos cinco segundos después que usted suelte el interruptor gatillo. Es útil al hacer ciertos cortes en madera donde una hoja que aún gire por inercia podría producir un corte ancho e impreciso.

El freno eléctrico de la hoja de la sierra ha sido diseñado para proporcionar el más alto grado de confiabilidad, pero circunstancias inesperadas, tales como presencia de contaminación en el conmutador y en las escobillas o avería de los componentes del motor, pueden hacer que el freno no se active. Si se produce esta situación, encienda (posición "ON") y apague (posición "OFF") la sierra cuatro o cinco veces sin entrar en contacto con la pieza de

trabajo. Si la herramienta funciona pero el freno no detiene la hoja cada vez en unos 5 segundos, NO utilice la sierra y haga que se realice servicio de ajustes y reparaciones inmediatamente.

⚠ ADVERTENCIA La acción de frenado de esta sierra no está proyectada como dispositivo de seguridad. Recuerde dejar que la hoja de la sierra se detenga por completo antes de retirarla de la pieza de trabajo. Como siempre, el sistema de protectores constituye la mejor protección para usted contra el contacto no intencional con la hoja de sierra que gira. NUNCA ponga cuñas para mantener abierto el protector inferior ni anule la acción de cierre de dicho protector.

Descripción funcional y especificaciones

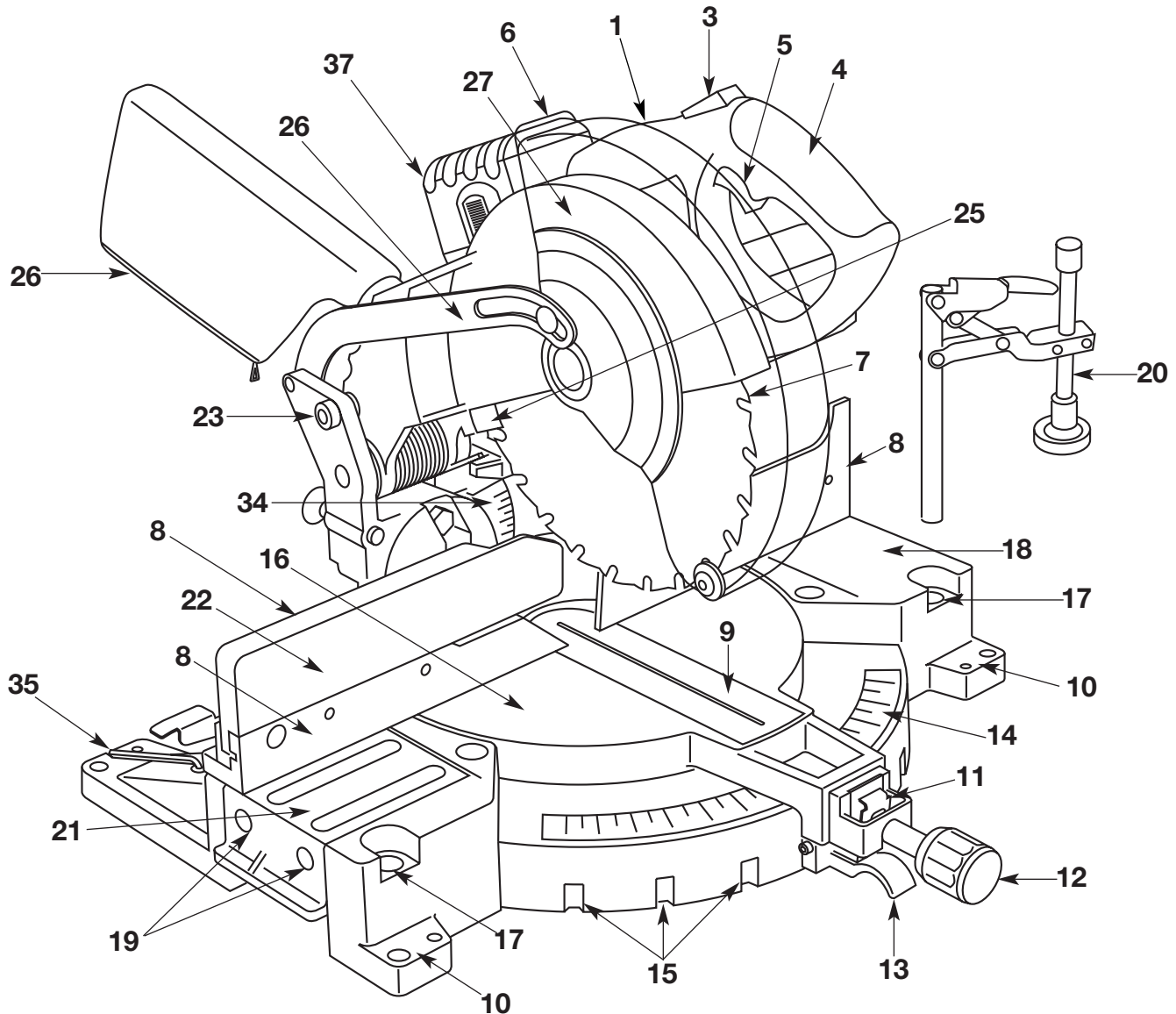
Cordless Miter Saw

Número de modelo	3924-24	Número de modelo	3924B-24	Capacidades máximas	
Tensión nominal	24 V ===	Tensión nominal	24 V ===	Hojal	254 mm
Capacidad sin carga	n ₀ 3,600/min	Capacidad sin carga	n ₀ 3,600/min	Profundidad de corte a 90°	51 mm
Cargador	BC004, BC006, y BC016	(No incluido con el modelo 3924B-24)		Profundidad de corte a 45°	76 mm
Paquete de baterías	BAT030 y BAT031	(No incluido con el modelo 3924B-24)			
Amperaje nominal	2.5 A	Amperaje nominal	2.5 A		
Tensión nominal	120 V ~ 60 Hz	Tensión nominal	120 V ~ 60 Hz		
Tiempo de carga	1 h	Tiempo de carga	1 h		

El cargador BC006 requiere alimentación de 12 V CC

NOTA: UTILICE ÚNICAMENTE LOS CARGADORES INDICADOS ANTERIORMENTE

Familiarización con la sierra para cortar ingletes



⚠ ADVERTENCIA Desconecte el paquete de baterías de la herramienta antes de realizar cualquier ensamblaje, ajuste o cambio de accesorios, o de almacenar la herramienta. Dichas medidas preventivas de seguridad reducen el riesgo de arrancar la herramienta accidentalmente.

1. Mango de transporte

Este mango está incorporado al ensamblaje del cabezal para el transporte.

2. Cierre del eje portaherramienta

Permite al usuario evitar que la hoja gire mientras aprieta o afloja el tornillo del eje portaherramienta al cambiar o quitar la hoja.

3. Interruptor de seguridad

El interruptor de seguridad está diseñado para prevenir los arranques accidentales. Debe oprimirse el botón de liberación para activar el interruptor de encendido.

4. Mango con interruptor

Este mango contiene el interruptor. La hoja se baja hacia la pieza de trabajo empujando/tirando hacia abajo sobre el mango.

5. Interruptor de encendido

El interruptor de encendido utilizado con el interruptor de seguridad activa el suministro de corriente eléctrica a la unidad.

6. Protector inferior de la hoja/reborde del protector inferior

El protector inferior de la hoja ayuda a proteger las manos del operador contra la hoja que gira. Se retrae al bajar la hoja. El reborde se puede usar para subir el protector inferior cuando éste se atasque en una pieza de trabajo.

7. Hoja

Para el mejor funcionamiento, utilice solamente hojas para separación de corte estrecha 10" con agujero para eje portaherramienta de 5/8".

8. Tope-guía

Soporta la pieza de trabajo. El tope-guía tiene una escala fundida para hacer cortes repetitivos fácilmente. El tope-guía también tiene agujeros que se usan para fijar un tope-guía auxiliar si así se desea.

9. Accesorio de inserción para la separación de corte

Minimiza el desgarre de la pieza de trabajo.

10. Plataformas de montaje de la herramienta

Las cuatro esquinas de la sierra proporcionan áreas para fijar con abrazaderas, atornillar o clavar la sierra a una superficie de trabajo plana.

11. Sobrecontrol del retén

Permite anular la acción del retén para facilitar los microajustes a cualquier ángulo de inglete.

12. Pomo de fijación de inglete

El pomo de fijación de inglete fija la mesa de la sierra para cortar ingletes en cualquier ángulo de inglete que se desee.

13. Gatillo del retén de inglete

El gatillo acopla la mesa al retén o la suelta de éste.

14. Escala de ingletes

Esta escala está fundida sobre la base de la sierra. Permite leer los ángulos de inglete fácilmente.

15. Retenes

Hay nueve (9) retenes de inglete para cortes a inglete rápidos y precisos de los ángulos de inglete comunes.

16. Mesa

Está asentada sobre la base, proporciona soporte a la pieza de trabajo, gira para realizar los cortes de inglete deseados y gira el ensamblaje del cabezal.

17. Posiciones de la abrazadera de acción rápida

Existen seis (6) posiciones para la abrazadera de acción rápida alrededor de la base.

18. Base

Proporciona una superficie de trabajo para soportar la pieza de trabajo.

19. Agujeros para el accesorio de extensión/tope

Agujeros hechos a máquina que aceptan el accesorio de extensión/tope.

20. Abrazadera de acción rápida

Proporciona fijación rápida de la pieza de trabajo.

21. Base deslizante

Esta suministra un soporte adicional y un área para la abrazadera en los cortes a inglete compuestos.

22. Tope-guía deslizante

Suministra un soporte de altura máximo a la pieza de trabajo y se desliza hacia la izquierda para facilitar los cortes compuestos.

23. Pasador de fijación

La sierra para cortar ingletes compuestos está equipada con un pasador de fijación que se usa para fijar el ensamblaje del cabezal en la posición inferior.

24. Tope de bisel de 33.9° (molduras de techo)

Tope ajustable para realizar cortes rápidos y precisos a 33.9°.

25. Deflector de virutas

Este deflector evita que las virutas grandes entren en el protector superior.

26. Eslabón de accionamiento del protector inferior

Permite un movimiento suave del protector inferior.

27. Protector superior de la hoja

Cubre la porción superior de la hoja

28. Llave de tuerca para la hoja

Se usa para apretar/aflojar la hoja y ajustar los topes de bisel. La llave de tuerca para la hoja se almacena en la carcasa del mango.

29. Pasador de retén de bisel (ajuste para moldura de techo)

Le permite mover fácilmente el ensamblaje del cabezal hasta el ángulo de bisel de 33.9°.

30. Bolsa de recolección de polvo

Se acopla a la boquilla para polvo y recoge el polvo para ayudar a mantener limpia el área de trabajo.

31. Mango de fijación de bisel

El mango de fijación de bisel fija el ensamblaje del cabezal a un ángulo de bisel deseado. El mango actúa en forma de mecanismo de carraca para uso en espacios reducidos.

32. Tope de bisel de 45°

Tope ajustable para un índice de bisel de 45° rápido y preciso.

33. Tope de bisel de 0°

Tope ajustable para un índice de bisel de 0° rápido y preciso.

34. Escala de biseles

Esta escala está fundida en la sierra. Le permite leer los ángulos de bisel fácilmente.

35. Llave hexagonal (6 mm)

Se utiliza para ajustar la base deslizante y el tope-guía. La llave hexagonal se almacena en la base trasera izquierda.

36. Tapas de las escobillas

Estas tapas mantienen las escobillas del motor en su sitio y facilitan el acceso para inspeccionar y cambiar las escobillas.

37. Paquete de baterías de 24 V (No incluido con el modelo 3924B-24)

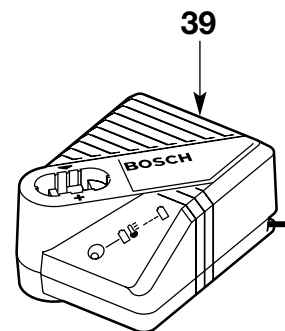
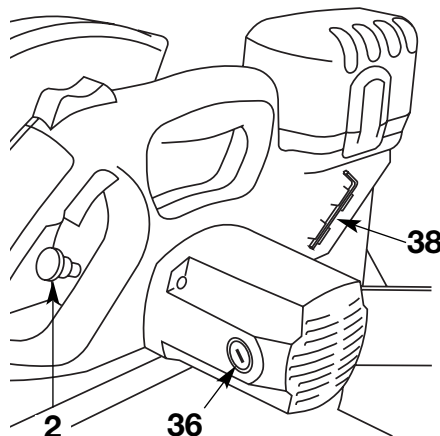
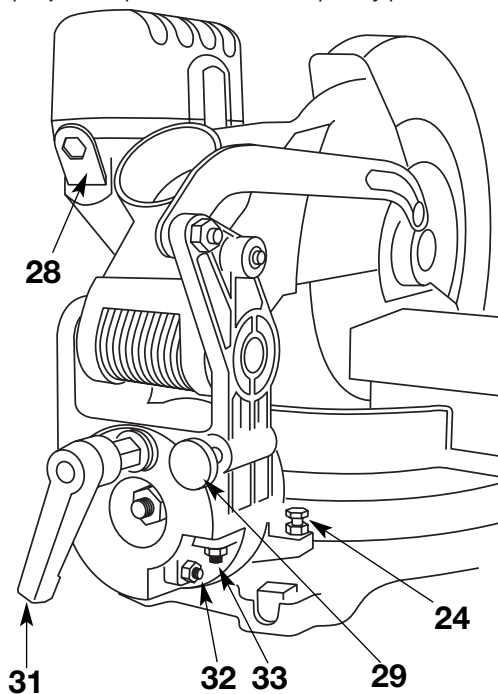
Paquete de baterías recargable que suministra corriente eléctrica a la sierra.

38. Llave hexagonal (3 mm)

Se utiliza para ajustar los tornillos de tope de bisel de 0° y 45°. La llave hexagonal se almacena en el mango.

39. Cargador (No incluido con el modelo 3924B-24)

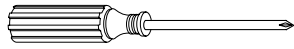
Carga el paquete de baterías que suministra corriente eléctrica a la herramienta.



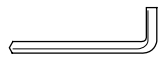
VER CONTINUACIÓN DEL ESPAÑOL EN LA PÁGINA 27

Assembly

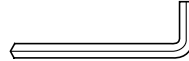
Tools Needed For Assembly And Alignment



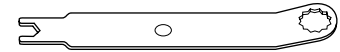
Phillips Screwdriver



Hex "L" Wrench
(supplied) 3mm



Hex "L" Wrench
(supplied) 6mm



Blade Wrench
(supplied)



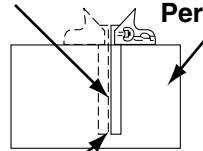
Combination Square

Combination Square Must be True

Draw Light
Line on Board
Along this Edge

Straight Edge of
Board 3/4" Thick
This Edge Must be
Perfectly Straight

Should be no Gap or Overlap
when Square is Flipped Over in
Dotted Position

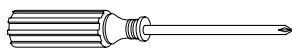


WARNING

Disconnect battery pack from tool before performing any assembly, adjustments, changing accessories, or storing the tool. Such preventive safety measures reduce the risk of starting the tool accidentally.

Assemblage

Outils nécessaires à l'assemblage et à l'alignement



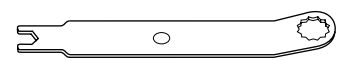
Tournevis à empreinte
cruciforme



Clé hexagonale en L
(fournie) de 3 mm



Clé hexagonale en L
(fournie) de 6 mm



Clé à lame (fournie)



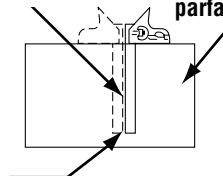
Équerre à combinaison

L'équerre à combinaison doit être vraie.

Tracez une ligne
délicate sur la planche
le long de ce bord.

Bord droit de la planche
3/4 po d'épaisseur
Ce bord doit être
parfaitement droit.

Il ne doit y avoir aucun écartement
ou chevauchement lorsque l'équerre
est renversée à la position en tirets.

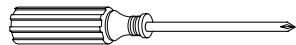


AVERTISSEMENT

Débranchez le bloc-pile de l'outil avant d'effectuer tout assemblage ou réglage ou de changer les accessoires ou de ranger l'outil. Ces mesures de sécurité préventives réduisent le risque d'une mise en marche accidentelle.

Ensamblaje

Herramientas necesarias para el ensamblaje y la alineación



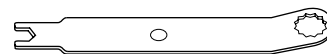
Destornillador Phillips



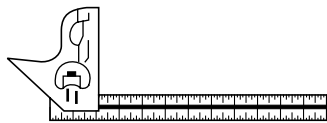
Llave hexagonal en "L"
de 3 mm (suministrada)



Llave hexagonal en "L"
de 6 mm (suministrada)



Llave de tuerca para la hoja
(suministrada)

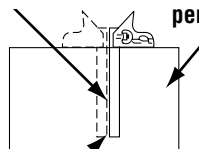


Escuadra de combinación

La escuadra de combinación debe estar alineada

Trace una línea ligera
sobre la tabla a lo
largo de este borde

Borde recto de la tabla
de 3/4" de grosor.
Este borde debe ser
perfectamente recto



No debe haber espacio libre ni superposición
cuando se dé la vuelta a la escuadra sobre
la posición marcada con una línea de puntos



ADVERTENCIA

Desconecte el paquete de baterías de la herramienta antes de realizar cualquier ensamblaje, ajuste o cambio de accesorios, o de almacenar la herramienta. Dichas medidas preventivas de seguridad reducen el riesgo de arrancar la herramienta accidentalmente.

Assembly

Unpacking and Checking Contents

CAUTION Before moving the saw: Lock the miter lock knob in 45° left or right position. Lock bevel lock handle. Lock head assembly in the down position.

Never carry the tool by the power switch handle.

Model 3924 Compound Miter Saw is shipped complete in one box.

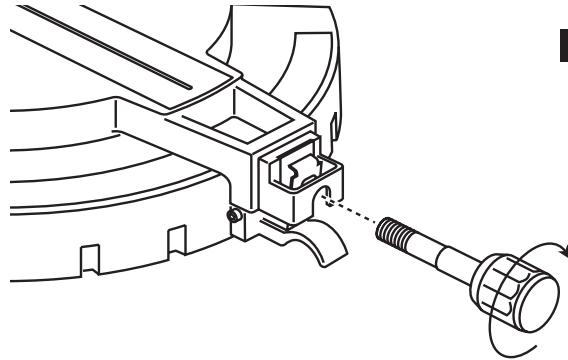
1. Separate all parts from packing materials and check each one with the "Table of Loose Parts" to make sure all items are accounted for before discarding any packing material.
2. Loose parts:
 - Quick Action Clamp - Used to clamp work-pieces.
 - 6 mm Hex Wrench - Stored in the base.
 - 3 mm Hex Wrench - Stored in the handle.
 - Blade Wrench - Stored in the handle.
 - Miter Lock Knob
 - Dust Bag
 - 24 V Battery Pack (Not included with model 3924B-24)
 - Charger (Not included with model 3924B-24)
 - Operating/Safety Instructions

WARNING If any parts are missing, do not turn the switch on until the missing parts are obtained and are installed correctly.

Installation of Miter Lock Knob

1. Locate Miter Lock Knob from Loose Parts.
2. Assemble Miter Lock Knob into front of Table as shown (Figure 1).

Do Not Over Tighten



Assemblage

Ouverture de l'emballage et vérification du contenu

⚠ AVERTISSEMENT Avant de déplacer la scie : bloquez le bouton de blocage de l'onglet à la position gauche ou droite 45°. Bloquez la poignée de blocage de biseau. Bloquez la tête à la position abaissée.

Ne transportez jamais l'outil par la poignée de l'interrupteur d'alimentation.

La scie à onglet composée modèle 3924 est expédiée complète dans une boîte.

1. Séparez toutes les pièces des matériaux d'emballage et vérifiez chacune à l'aide de la « Liste des pièces détachées » pour vous assurer de la présence de toutes les pièces avant de jeter tout matériel d'emballage.
2. Pièces détachées :
 - Serre-joint à action rapide — sert à cramponner l'ouvrage.
 - Clé hexagonale 6 mm — se range dans la base.
 - Clé hexagonale 3 mm — se range dans la poignée.
 - Clé à lame — se range dans la poignée.
 - Bouton de blocage d'onglet
 - Sac à poussière
 - Bloc-pile de 24 V (Non compris avec le modèle 3924B-24)
 - Chargeur (Non compris avec le modèle 3924B-24)
 - Consignes de fonctionnement/sécurité

⚠ AVERTISSEMENT Si des pièces manquent, ne branchez pas le cordon et ne mettez pas l'interrupteur à la position de marche avant d'avoir obtenu les pièces manquantes et de les avoir posées correctement.

Pose du bouton de blocage d'onglet

1. Repérez, dans les pièces détachées, le bouton de blocage d'onglet.
2. Montez le bouton de blocage d'onglet dans la partie frontale de la table illustré (Figure 1).

Ne serrez pas excessivement.

Ensamblaje

Desempaquetado y comprobación del contenido

⚠ PRECAUCION Antes de mover la sierra: Fije el pomo de fijación de inglete en la posición de 45° a la derecha o a la izquierda. Fije el mango de fijación de bisel. Fije el ensamblaje del cabezal en la posición hacia abajo.

Nunca lleve la herramienta por el mango del interruptor de encendido.

La sierra para cortar ingletes compuestos modelo 3924 se empaqueta completa en una caja.

1. Separe todas las piezas de los materiales de empaquetamiento y compruebe cada una usando la "Tabla de piezas sueltas" para asegurarse de que no falte ningún artículo antes de tirar cualquier material de empaquetamiento.
2. Piezas sueltas:
 - Abrazadera de acción rápida: Se usa para fijar las piezas de trabajo.
 - Llave hexagonal 6 mm: Almacenada en la base.
 - Llave hexagonal 3 mm: Almacenada en el mango.
 - Llave de tuerca para la hoja: Almacenada en el mango.
 - Pomo de fijación de inglete
 - Bolsa para polvo
 - Baterías de 24 V (No incluido con el modelo 3924B-24)
 - Cargador (No incluido con el modelo 3924B-24)
 - Instrucciones de funcionamiento y de seguridad

⚠ ADVERTENCIA Si falta alguna pieza, no enchufe el cordón de energía ni encienda el interruptor hasta que las piezas que faltan se obtengan e instalen correctamente.

Instalación del pomo de fijación de inglete

1. Localice el pomo de fijación de inglete entre las piezas sueltas
2. Ensamble el pomo de fijación de inglete en la parte delantera de la mesa muestra en la (Figura 1).

No lo apriete demasiado

Assembly

Removal and Installation of the Blade

⚠ WARNING Disconnect battery pack from tool before performing any assembly, adjustments, changing accessories, or storing the tool. Such preventive safety measures reduce the risk of starting the tool accidentally.

Note: Clean blade of any excess oil before installation.

1. Rotate the lower guard **1** by hand. Loosen, but do not remove, the cover plate screw **2** using a Phillips or straight screwdriver (Figure 2).
2. Rotate the cover plate **3** counterclockwise so the blade bolt **4** is exposed (Figure 2).
3. Press and hold the arbor lock. Use the blade wrench to remove the blade bolt by turning wrench clockwise. NOTE: The blade bolt has a left hand thread.
4. Remove the blade bolt **4**, outer washer **5** and the blade **6**. Inner washer **7** should not be removed (Figure 3).
5. To install the 10" blade, fit blade between the chip deflectors **8** and onto the arbor shaft **9** (Figure 3 & 4). NOTE: Make sure the rotation arrow on the blade matches the clockwise rotation arrow on the lower guard.

⚠ WARNING To avoid injury, do not use a blade larger or smaller than 10" diameter and 5/8" arbor.

6. Replace the outer washer **5** in the proper orientation, and tighten blade bolt **4** finger tight. Press the arbor lock and tighten blade bolt **4** securely, but do not overtighten.
7. Rotate cover plate **3** clockwise to original position. Tighten the screw **2**.

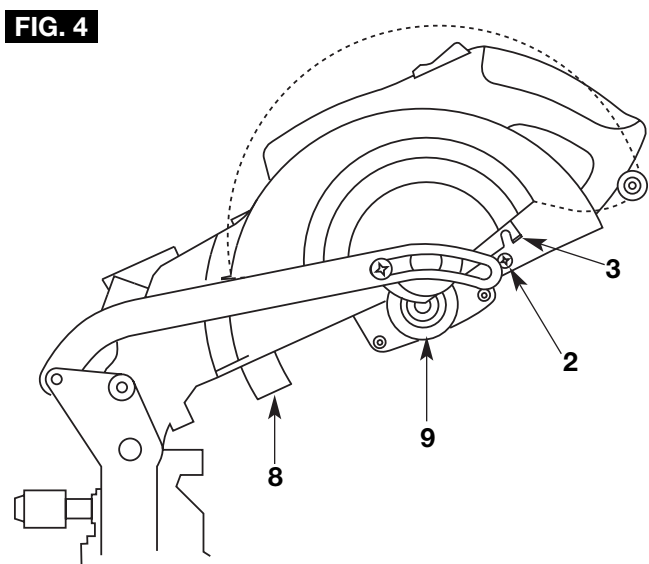
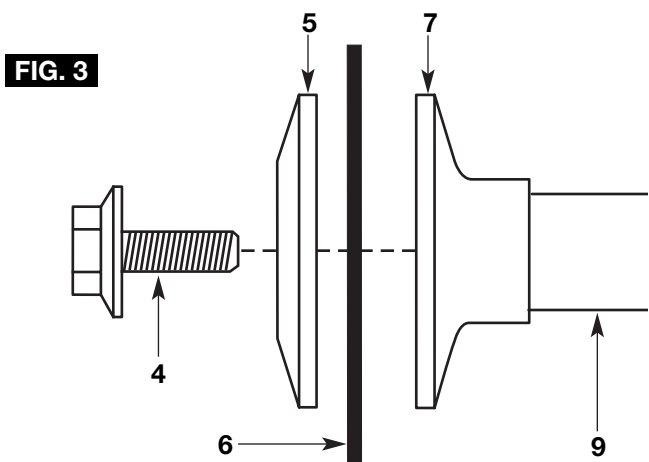
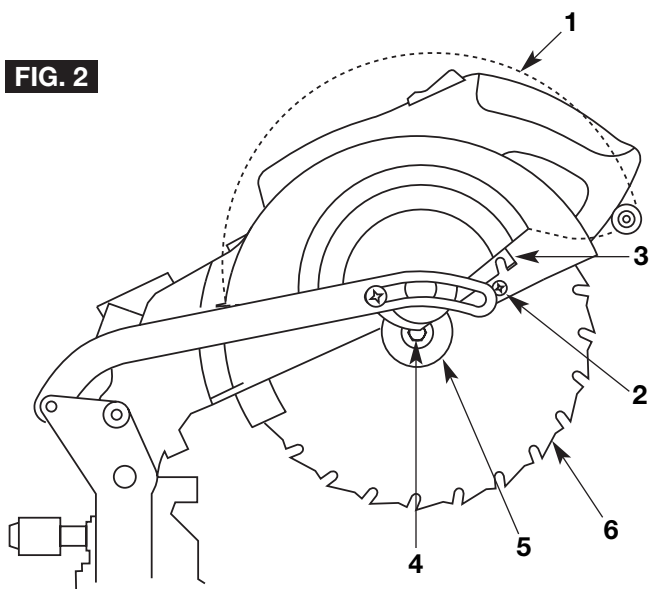
⚠ WARNING Never use saw without cover plate securely in place. Lower guard will not function properly.

8. Be sure the arbor lock is released so the blade turns freely.

⚠ WARNING After installing a new blade, lower the blade into the table slot and check for any contact with the base or turn table structure. If blade contacts table, seek authorized service.

Cutting Kerf Insert

NOTE: New insert needs to be cut initially to provide blade clearance. This should be done by carefully making a straight cut through the insert.



Assemblage

Pose et dépose de la lame

⚠ AVERTISSEMENT Débranchez le bloc-pile de l'outil avant d'effectuer tout assemblage ou réglage ou de changer les accessoires ou de ranger l'outil. Ces mesures de sécurité préventives réduisent le risque d'une mise en marche accidentelle.

Remarque : Enlevez tout excédent d'huile sur la lame avant la pose.

1. Tournez le protecteur inférieur **1** à la main. Desserrez, sans enlever, la vis de la plaque de recouvrement **2** à l'aide d'un tournevis à empreinte cruciforme (Figure 2).
2. Tournez la plaque de recouvrement **3** en sens anti-horaire de manière à exposer la vis de la lame **4** (Figure 2).
3. Appuyez sur le blocage de l'arbre et tenez celui-ci. Utilisez la clé à lame pour déposer la boulon de la lame en tournant la clé en sens horaire. REMARQUE : La boulon de la lame présente un filet gauche.
4. Ôtez le boulon de lame **4**, la rondelle extérieure **5** et la lame **6**. Il n'est pas nécessaire d'ôter la rondelle intérieure **7** (Figure 3).
5. Pour installer la lame de 10 po, insérez la lame entre les déflecteurs de copeaux **8** et sur l'axe de l'arbre **9** (Figures 3 et 4). REMARQUE : Assurez-vous que la flèche de rotation de la lame corresponde à la flèche de rotation en sens horaire sur le capot inférieur.

⚠ AVERTISSEMENT Pour éviter d'éventuelles blessures, n'utilisez pas de lame de plus ou de moins que 10 po de diamètre et arbre de 5/8 po.

6. Remettez la rondelle extérieure **5** en place dans le bon sens, et serrez la vis de lame **4** à la main. Appuyez sur le blocage de l'arbre et serrez la vis de lame **4** fermement, sans serrer excessivement.
7. Tournez la plaque de recouvrement **3** en sens horaire à sa position d'origine. Serrez la vis **2**.

⚠ AVERTISSEMENT N'utilisez jamais la scie sans la plaque de recouvrement solidement en place. Le protecteur inférieur ne fonctionnera pas adéquatement.

8. Assurez-vous que le blocage de l'arbre est relâché de manière à ce que la lame tourne librement.

⚠ AVERTISSEMENT Après avoir posé une nouvelle lame, assurez-vous que la lame ne gêne pas l'insert de table aux positions de biseau de 0 et de 45 degrés. Abaissez la lame dans la fente de la table et vérifiez s'il y a quelquel contact que ce soit avec la base ou la structure de la table tournante. Si la lame vient en contact avec la table, obtenez un service autorisé.

Coupe des inserts de trait de scie

REMARQUE : De nouveaux inserts doivent d'abord être coupés pour assurer un espace libre suffisant autour de la lame. Ceci doit être fait en pratiquant soigneusement une coupe droite à travers l'insert.

Ensamblaje

Instalación y remoción de la hoja

⚠ ADVERTENCIA Desconecte el paquete de baterías de la herramienta antes de realizar cualquier ensamblaje, ajuste o cambio de accesorios, o de almacenar la herramienta. Dichas medidas preventivas de seguridad reducen el riesgo de arrancar la herramienta accidentalmente.

NOTA: Limpie todo el exceso de aceite de la hoja antes de la instalación.

1. Gire el protector inferior **1** a mano. Afloje, pero no quite, el tornillo de la placa de cubierta **2** usando un destornillador Phillips (Figura 2).
2. Gire la placa de cubierta **3** en sentido contrario al de las agujas del reloj para que el tornillo de la hoja **4** quede al descubierto (Figura 2).
3. Oprima y mantenga fijo el cierre del eje portaherramienta. Use la llave de tuerca para la hoja para quitar el perno de la hoja girando la llave de tuerca en el sentido de las agujas del reloj. NOTA: El perno de la hoja es de rosca a izquierdas.
4. Quite el perno de la hoja **4**, la arandela exterior **5** y la hoja **6**. La arandela interior **7** no debe quitarse (Figura 3).
5. Para instalar la hoja de 10", acople la hoja entre los deflectores de virutas **8** y sobre el eje portaherramienta **9** (Figuras 3 y 4). NOTA: Asegúrese de que la flecha de rotación que está en la hoja coincida con la flecha de rotación en el sentido de las agujas del reloj que está en el protector inferior.

⚠ ADVERTENCIA Para evitar lesiones, no use una hoja cuyo diámetro sea superior ni inferior a 10", ni que sea para un eje portaherramienta superior ni inferior a 5/8".

6. Vuelva a colocar la arandela exterior **5** en la orientación adecuada y apriete el tornillo de la hoja **4** con los dedos. Oprima el cierre del eje portaherramienta y apriete el tornillo de la hoja **4** firmemente, pero no lo apriete demasiado.
7. Gire la placa de cubierta **3** en el sentido de las agujas del reloj hasta la posición original. Apriete el tornillo **2**.

⚠ ADVERTENCIA Nunca utilice la sierra sin la placa de cubierta colocada en su sitio firmemente. El protector inferior no funcionará adecuadamente.

8. Asegúrese de que el cierre del eje portaherramienta esté suelto para que la hoja gire libremente.

⚠ ADVERTENCIA Después de instalar una hoja nueva, asegúrese de que la hoja no interfiera con el accesorio de inserción de la mesa en las posiciones de inglete de 0° y 45°. Baje la hoja hasta el interior de la ranura de la mesa y compruebe si hay contacto con la base o la estructura de la mesa giratoria. Si la hoja hace contacto con la mesa, obtenga servicio autorizado.

Corte del accesorio de inserción para la separación de corte

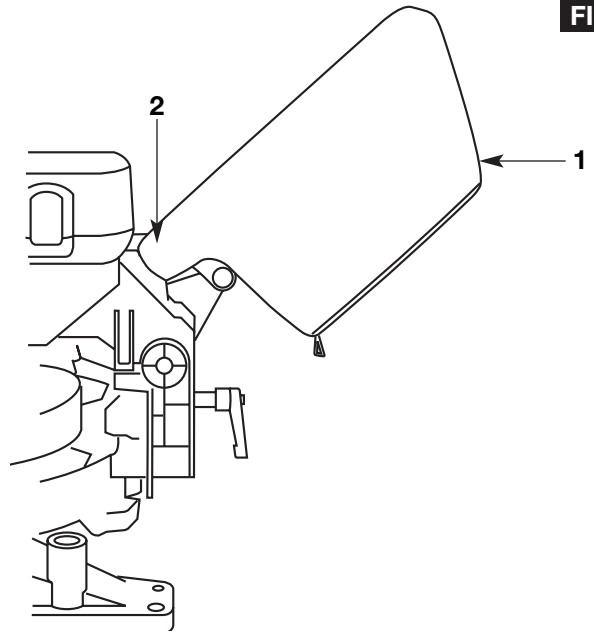
NOTA: Es necesario cortar inicialmente un accesorio de inserción nuevo para proporcionar un espacio libre para la hoja. Esto debe hacerse realizando cuidadosamente un corte recto a través del accesorio de inserción.

Assembly

Assembling Dust Bag

FIG. 5

1. With the miter arm locked in the down position, push the dust bag **1** onto the dust port **2** to collect sawdust. (Figure 5).
2. Position dust bag **1** so that it does not interfere with the tool during the cutting operation for all miter/bevel settings.
3. The dust bag requires emptying when full of sawdust. Empty it frequently and after completion of sawing. Carefully remove dust bag from dust port. Empty dust bag in proper trash bin by unzipping the bag. Zip the bag before installing on the dust port. Be extremely careful of dust disposed, materials in fine particle form may be explosive. Do not throw sawdust on an open fire. Spontaneous combustion, may in time, result from mixture of oil or water with dust particles.



⚠ WARNING When sawing chemically pressure treated lumber, paint that may be lead based, or any other materials that may contain carcinogens, use special precautions. A suitable respirator must be worn by all personnel entering the work area. Work area should be sealed by plastic sheeting and persons not protected should be kept out until work area is thoroughly cleaned.

Assemblage

Assemblage du sac à poussière

1. Une fois le bras d'onglet verrouillé dans la position du bas, poussez le sac à poussière **1** sur le raccord d'aspiration **2** pour ramasser le bran de scie (Figure 5).
2. Placez le sac à poussière **1** de manière à éviter les interférences avec l'outil pendant les sciages pour tous les réglages d'onglet et en biseau.
3. Le sac doit être vidé lorsqu'il est plein de bran de scie. Videz-le souvent et après avoir fini de scier. Ôtez soigneusement le sac à poussière du raccord d'aspiration. Videz le sac à poussière dans une poubelle appropriée en ouvrant la fermeture à glissière du sac. Remontez la fermeture éclair du sac avant de l'installer sur le raccord d'aspiration. Faites particulièrement attention au bran de scie mis au rebut car les fines particules de matières peuvent être explosives. Ne jetez pas de bran de scie dans un feu ouvert. Une combustion spontanée peut parfois résulter d'un mélange d'huile ou d'eau avec des particules de poussière.

⚠ AVERTISSEMENT Redoublez de prudence en sciant du bois traité chimiquement sous pression, de la peinture pouvant être à base de plomb ou tout autre matériau pouvant contenir des agents cancérigènes. Un respirateur adéquat doit être porté par tous les personnes pénétrant dans l'aire de travail. L'aire de travail doit être scellée à l'aide de feuilles en plastique, et les personnes non protégées doivent être maintenues à l'extérieur jusqu'à ce que la zone de travail soit nettoyée à fond.

Ensamblaje

Ensamblaje de la bolsa para polvo

1. Con el brazo de ingletes fijado en la posición hacia abajo, empuje la bolsa para polvo **1** sobre la boquilla para polvo **2** para recoger el serrín (Figura 5).
2. Posicione la bolsa para polvo **1** de manera que no interfiera con la herramienta durante la operación de corte para todas las posiciones de inglete/bisel.
3. Hay que vaciar la bolsa para polvo cuando esté llena de serrín. Vacíela frecuentemente y después de terminar de aserrar. Quite cuidadosamente la bolsa para polvo de la boquilla para polvo. Vacíe la bolsa para polvo en un cubo de basura adecuado abriendo la cremallera de la bolsa. Cierre la cremallera de la bolsa antes de instalarla en la boquilla para polvo. Tenga mucho cuidado con el polvo que se tire, ya que los materiales en forma de partículas finas pueden ser explosivos. No tire el serrín a un fuego abierto. Al cabo del tiempo se puede producir una combustión espontánea como consecuencia de la mezcla de aceite o agua con las partículas de polvo.

⚠ ADVERTENCIA Al aserrar madera tratada químicamente a presión, pintura que pueda estar basada en plomo o cualquier otro material que pueda contener carcinógenos, tome precauciones especiales. Todo el personal que entre en el área de trabajo debe usar un aparato de respiración adecuado. El área de trabajo debe cerrarse con cubiertas colgantes de plástico y debe mantenerse fuera a las personas no protegidas hasta que el área de trabajo esté bien limpia.

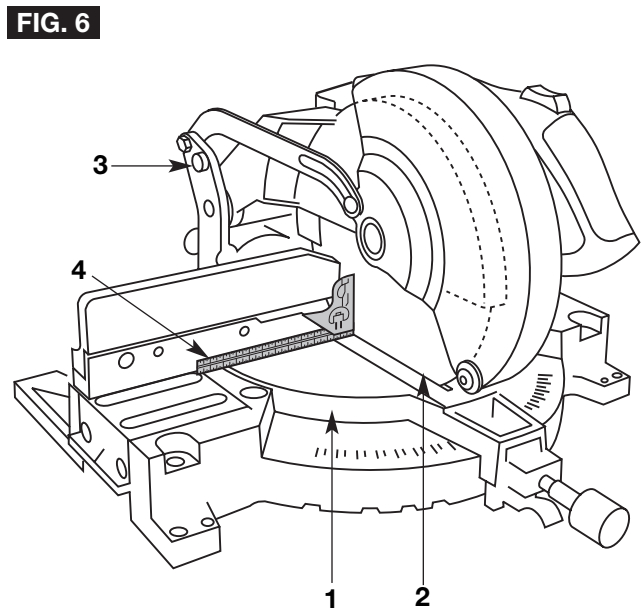
Adjustments

⚠ WARNING Disconnect battery pack from tool before performing any assembly, adjustments, changing accessories, or storing the tool. Such preventive safety measures reduce the risk of starting the tool accidentally.

NOTE: Your compound miter saw was completely adjusted at the factory. However, during shipment, slight misalignment may have occurred. Check the following settings and adjust if necessary prior to using this compound miter saw.

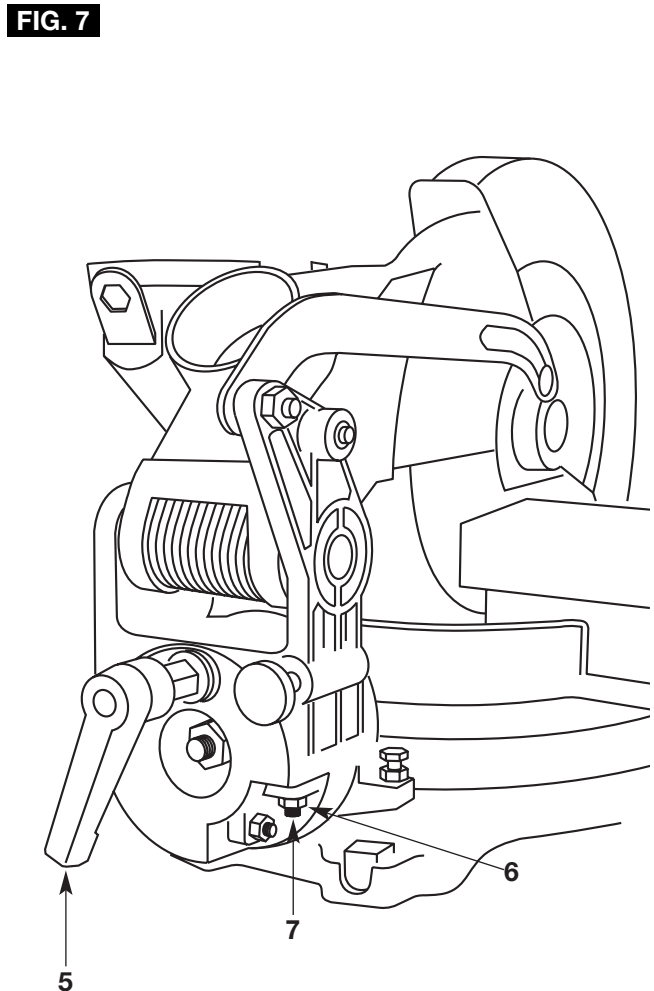
Blade Square to Table (90°)

1. Rotate table **1** to 0° position and lock in place.
2. Lower the blade **2** and engage the lock pin **3**. Use a combination square **4** to check blade squareness to table. Place the square on the table and press it against the blade. If the blade does not contact the full length of the square, (Figure 6) follow the alignment procedure.



90° Blade Alignment

- a. Move sliding fence to proper position. (See Sliding Fence on page 54.)
- b. Loosen bevel lock handle **5**.
- c. Loosen jam nut **6** using blade wrench supplied in the handle, and lower 0° stop screw **7** with the 3 mm hex wrench provided.
- d. Grasp carrying handle, move the head assembly left or right until blade makes contact with the full length of the square.
- e. Tighten bevel lock handle **5**.
- f. Adjust 0° stop screw **7** so that the hex screw head hits the 0° stop at the same time the blade makes contact with the full length of the square. Tighten jam nut **6** (Figure 7).



Réglages

⚠ AVERTISSEMENT Débranchez le bloc-pile de l'outil avant d'effectuer tout assemblage ou réglage ou de changer les accessoires ou de ranger l'outil. Ces mesures de sécurité préventives réduisent le risque d'une mise en marche accidentelle. Remarque : Enlevez tout excédent d'huile sur la lame avant la pose.

REMARQUE : Votre scie à onglet composée a été entièrement réglée à l'usine. Cependant, un léger désalignement peut s'être produit en cours d'expédition. Vérifiez les réglages suivants et ajustez, au besoin, avant d'utiliser cette scie à onglet composée.

Lame d'équerre par rapport à la table (90°)

1. Tournez la table **1** à la position 0° et bloquez en place.
2. Abaissez la lame **2** et engagez la cheville de blocage **3**. Utilisez une équerre à combinaison **4** pour vérifier si la lame est d'équerre par rapport à la table. Placez l'équerre sur la table et pressez-la contre la lame. Si la lame ne vient pas en contact avec toute la longueur de l'équerre (Figure 6), suivez la procédure d'alignement décrite ci-après.

Alignement de la lame à 90°

- a. Déplacez le guide à glissière à la position appropriée. (Voir Guide à glissière à la page 55.)
- b. Desserrez la poignée de blocage de biseau **8**.
- c. Desserrez le contre-écrou **6** à l'aide de la clé à lame fournie dans la poignée, et baissez la vis de butée de 0° **7** avec la clé hexagonale de 3 mm qui vous est fournie.
- d. Saisissez la poignée de transport, déplacez la tête à gauche ou à droite jusqu'à ce que la lame vienne en contact avec toute la longueur de l'équerre.
- e. Serrez la poignée de blocage de biseau **8**.
- f. Réglez la vis de butée de 0° **7** de sorte que la tête de la clé hexagonale touche la butée de 0° en même temps que la lame entre en contact avec toute la longueur de l'équerre. Serrez le contre-écrou **6** (Figure 7).

Ajustes

⚠ ADVERTENCIA Desconecte el paquete de baterías de la herramienta antes de realizar cualquier ensamblaje, ajuste o cambio de accesorios, o de almacenar la herramienta. Dichas medidas preventivas de seguridad reducen el riesgo de arrancar la herramienta accidentalmente.

NOTA: La sierra para cortar ingletes compuestos se ajustó completamente en la fábrica. Sin embargo, puede que durante el transporte se haya producido una ligera desalineación. Compruebe las posiciones siguientes y ajústelas si es necesario antes de usar esta sierra para cortar ingletes compuestos.

Hoja en ángulo recto con la mesa (90°)

1. Gire la mesa **1** hasta la posición de 0° y fíjela en su sitio.
2. Baje la hoja **2** y acople el pasador de fijación **3**. Use una escuadra de combinación **4** para comprobar la perpendicularidad de la hoja respecto a la mesa. Coloque la escuadra sobre la mesa y presiónela contra la hoja. Si la hoja no hace contacto con toda la longitud de la escuadra (Figura 6), siga el procedimiento de alineación.

Alineación de la hoja a 90°

- a. Mueva el tope-guía deslizante a la posición apropiada. (Ver Topes-guía deslizantes en la página 55.)
- b. Afloje el mango de fijación de bisel **8**.
- c. Afloje la contratuerca **6** utilizando la llave de tuerca para la hoja suministrada en el mango, y baje el tornillo de tope de 0° **7** con la llave hexagonal de 3 mm suministrada.
- d. Agarre el mango de transporte y mueva el ensamblaje del cabezal hacia la izquierda o hacia la derecha hasta que la hoja haga contacto con toda la longitud de la escuadra.
- e. Apriete el mango de fijación de bisel **8**.
- f. Ajuste el tornillo de tope de 0° **7** para que la cabeza del tornillo hexagonal golpee el tope de 0° al mismo tiempo que la hoja hace contacto con toda la longitud de la escuadra. Apriete la contratuerca **6** (Figura 7).

Adjustments

Blade 45° To The Table

1. Rotate table **1** to 0° position and lock in place.
2. Move sliding fence to its proper position. (See Sliding Fence on page 54.)
3. Lower head assembly. Lock in place.
4. Loosen bevel lock handle and tilt the head assembly to 45° bevel. The bevel indicator should be on the 45° mark and the 45° bevel stop should be in full contact with the 45° bevel stop screw, and the blade **2** should contact the full length of the combination square **3** (Figure 8).
5. If the blade is not 45° with the table, adjust 45° bevel stop.

45° Blade Alignment

- a. Loosen jam nut **4** using blade wrench supplied in the handle, and lower the 45° bevel stop screw **5** with the 3 mm hex wrench provided.
- b. Grasp carrying handle, move the head assembly left or right until blade makes contact with the full length of the square.
- c. Tighten the bevel lock handle **6**.
- d. Adjust 45° bevel stop screw **5** so that the hex screw head hits the 45° stop at the same time the blade makes contact with the full length of the square. Tighten 45° jam nut **4** (Figure 9).
- e. Check that bevel indicator is pointing to the 45° mark on the bevel scale (see Figure 8). If bevel indicator is not aligned with the 45° mark, first recheck the blade squareness to the table and 0° bevel indicator alignment. Then, repeat the 45° blade alignment and make appropriate adjustments.

FIG. 8

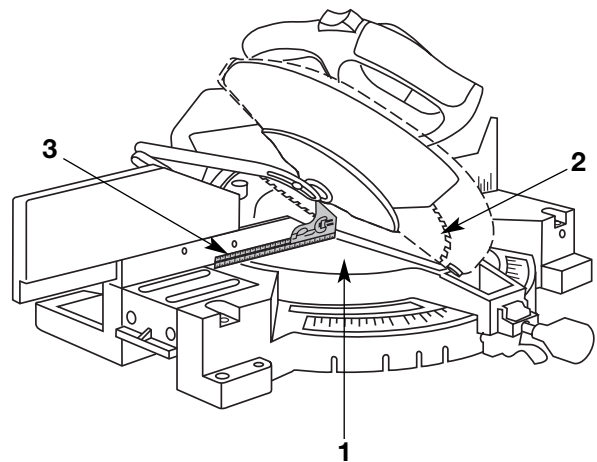
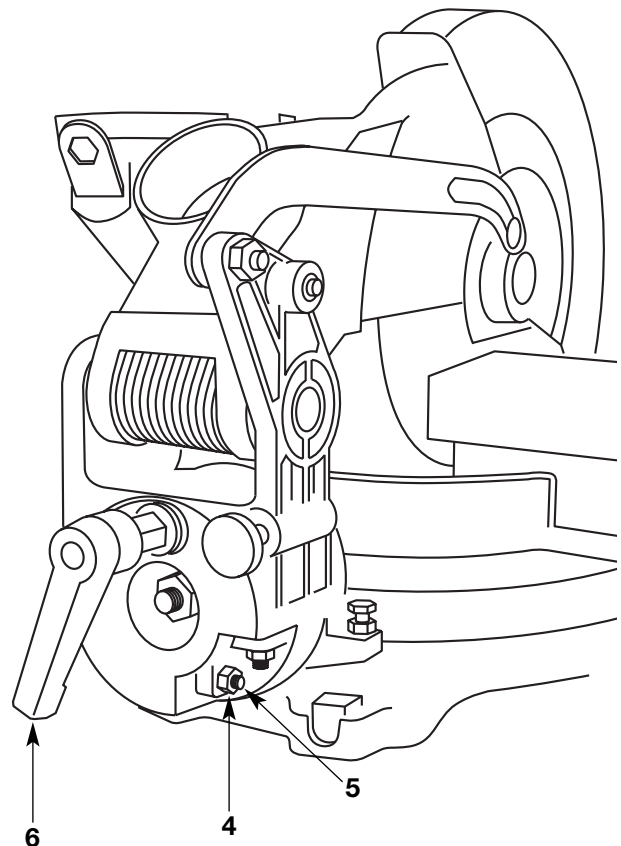


FIG. 9



Réglages

Lame à 45° par rapport à la table

1. Tournez la table **1** à la position 0° et bloquez en place.
2. Déplacez le guide à glissière à sa position appropriée. (Voir Guide à glissière à la page 55.)
3. Abaissez la tête. Bloquez en place.
4. Desserrez la poignée de blocage de biseau et inclinez la tête au biseau de 45°. Vérifiez la butée de biseau 45°. L'indicateur de biseau doit être sur la marque 45°, la butée de biseau 45° doit être entièrement en contact avec la vis d'arrêt de biseau 45°, et la lame **2** doit être en contact avec toute la longueur de l'équerre à combinaison **3** (Figure 8).
5. Si la lame n'est pas à 45° par rapport à la table, ajustez la butée de biseau 45°.

Alignement de la lame à 45°

- a. Desserrez le contre-écrou **4** à l'aide de la clé à lame fournie dans la poignée, et baissez la vis de butée de 45° **5** avec la clé hexagonale de 3 mm qui vous est fournie.
- b. Saisissez la poignée de transport, déplacez la tête à gauche ou à droite jusqu'à ce que la lame vienne en contact avec toute la longueur de l'équerre.
- c. Serrez la poignée de blocage de biseau **6**.
- d. Ajustez la vis d'arrêt de biseau 45° **5** de manière à ce que la tête hexagonale de vis touche la butée 45° au même moment où la lame vient en contact avec toute la longueur de l'équerre. Serrez le contre-écrou 45° **4** (Figure 9).
- e. Assurez-vous que l'indicateur de biseau pointe vers la marque 45° sur l'échelle graduée de biseau (voir Figure 8). Si l'indicateur de biseau n'est pas aligné sur la marque 45°, revérifiez d'abord si la lame est d'équerre par rapport à la table et revérifiez l'alignement de l'indicateur de biseau 0°. Répétez ensuite l'alignement de lame 45° et faites les réglages appropriés.

Ajustes

Hoja a 45° respecto a la mesa

1. Gire la mesa **1** hasta la posición de 0° y fíjala en su sitio.
2. Mueva el tope-guía deslizante hasta su posición apropiada. (Ver Topes-guía deslizantes en la página 55.)
3. Baje el ensamblaje del cabezal. Fíjelo en su sitio.
4. Afloje el mango de fijación de bisel e incline el ensamblaje del cabezal hasta el bisel de 45°. Compruebe el tope de bisel de 45°. El indicador de bisel debe estar en la marca de 45°, el tope de bisel de 45° debe estar en contacto completo con el tornillo de tope de bisel de 45° y la hoja **2** debe hacer contacto con toda la longitud de la escuadra de combinación **3** (Figura 8).
5. Si la hoja no está a 45° respecto a la mesa, ajuste el tope de bisel de 45°.

Alineación de la hoja a 45°

- a. Afloje la contratuerca **4** utilizando la llave de tuerca para la hoja suministrada en el mango y baje el tornillo de tope de bisel de 45° **5** con la llave hexagonal de 3 mm suministrada.
- b. Agarre el mango de transporte y mueva el ensamblaje del cabezal hacia la izquierda o hacia la derecha hasta que la hoja haga contacto con toda la longitud de la escuadra.
- c. Apriete el mango de fijación de bisel **6**.
- d. Ajuste el tornillo de tope de bisel de 45° **5** para que la cabeza del tornillo hexagonal golpee el tope de 45° al mismo tiempo que la hoja hace contacto con toda la longitud de la escuadra. Apriete la contratuerca de 45° **4** (Figura 9).
- e. Compruebe que el indicador de bisel señale hacia la marca de 45° en la escala de biseles (vea la Figura 8). Si el indicador de bisel no está alineado con la marca de 45°, primero vuelva a comprobar la perpendicularidad de la hoja respecto a la mesa y la alineación del indicador de bisel de 0°. Luego, repita la operación para la alineación de la hoja a 45° y haga los ajustes adecuados.

Adjustments

Blade Square to Fence

1. Lower the head assembly and push in the lock pin to lock in the lower position. Make sure table is in 0° detent and tighten miter lock knob. Place a combination square **1** against the fence **2** and next to the blade **3** as illustrated. Locate the square properly so it does not contact the tooth of saw blade. The saw blade should contact the full length of the square (Figure 10).
2. If blade does not contact the square, follow the fence alignment procedure.

Fence Alignment

- a. The head assembly should remain in lowered position.
- b. Loosen the three (3) hex cap screws **4** behind fence **5** using the 6 mm hex wrench provided (Figure 11).
- c. Adjust fence until blade and the fence has full contact with the square.
- d. Tighten hex cap screws.

FIG. 10

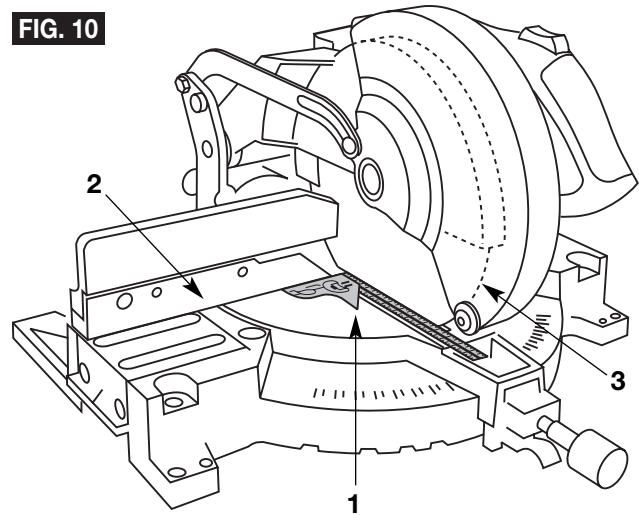
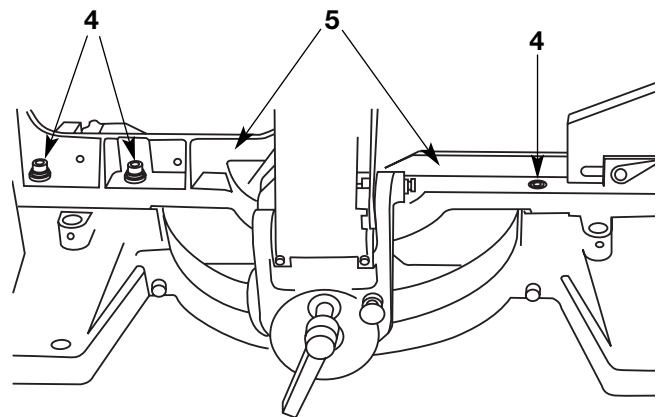


FIG. 11



Réglages

Lame d'équerre par rapport au guide

1. Abaissez la tête et enfoncez la cheville de blocage pour bloquer en position abaissée. Assurez-vous que la table est au cran d'arrêt 0° et serrez le bouton de blocage d'onglet. Placez une équerre à combinaison **1** contre le guide **2** et à côté de la lame **3**, comme illustré. Placez l'équerre adéquatement de manière à ce qu'elle ne vienne pas en contact avec les dents de la lame de scie. La lame de scie doit venir en contact avec toute la longueur de l'équerre (Figure 10).
2. Si la lame ne vient pas en contact avec l'équerre, suivez la procédure d'alignement du guide.

Alignement du guide

- a. La tête doit demeurer abaissée.
- b. Desserrez les trois (3) vis à tête hexagonale **4** derrière le guide **5** à l'aide de la clé hexagonale de 6 mm qui vous est fournie.
- c. Ajustez le guide jusqu'à ce que lame et le guide soient entièrement en contact avec l'équerre.
- d. Serrez les vis à tête hexagonale.

Ajustes

Hoja en ángulo recto con el tope-guía

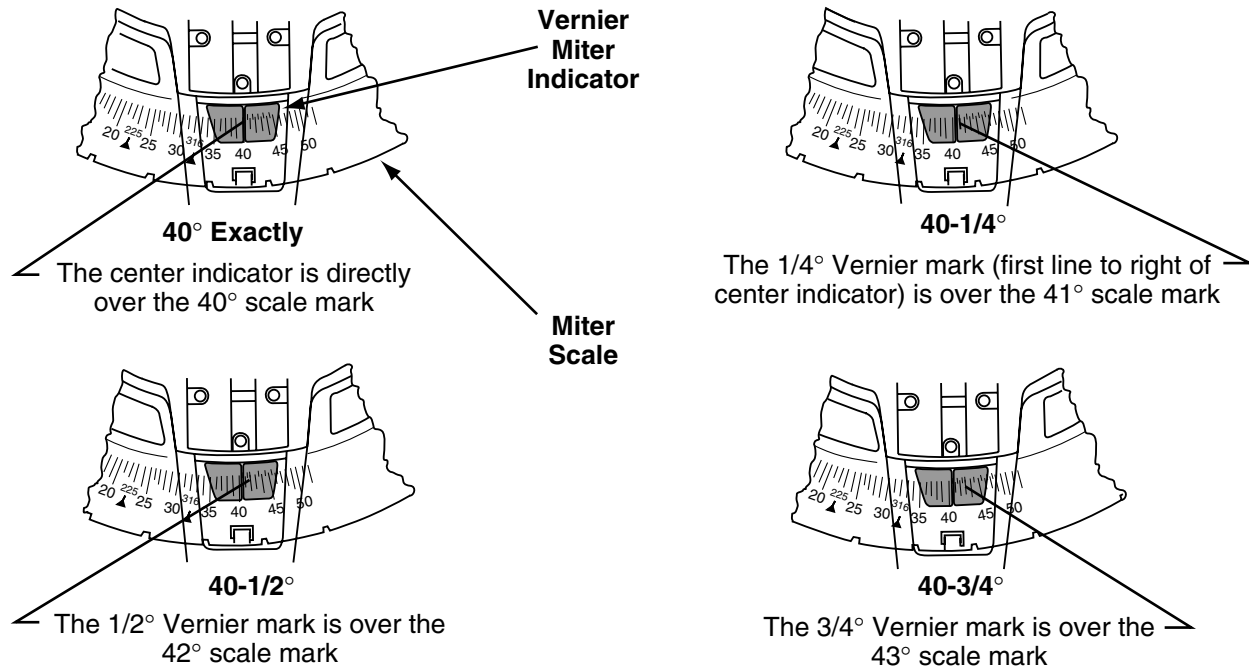
1. Baje el ensamblaje del cabezal y empuje el pasador de fijación para fijarlo en la posición inferior. Asegúrese de que la mesa esté en el retén de 0° y apriete el pomo de fijación de inglete. Coloque una escuadra de combinación **1** contra el tope-guía **2** y junto a la hoja **3** tal como se ilustra. Sitúe la escuadra adecuadamente para que no haga contacto con el diente de la hoja de sierra. La hoja de sierra debe hacer contacto con toda la longitud de la escuadra (Figura 10).
2. Si la hoja no hace contacto con la escuadra, siga el procedimiento de alineación del tope-guía.

Alineación del tope-guía

- a. El ensamblaje del cabezal debe permanecer en la posición bajada.
- b. Afloje los tres (3) tornillos de casquete hexagonales **4** que están detrás del tope-guía **5** utilizando la llave hexagonal de 6 mm suministrada (Figura 11).
- c. Ajuste el tope-guía hasta que la hoja y el tope-guía hagan contacto completo con la escuadra.
- d. Apriete los tornillos de casquete hexagonales.

Miter Scale and Vernier Scale Usage

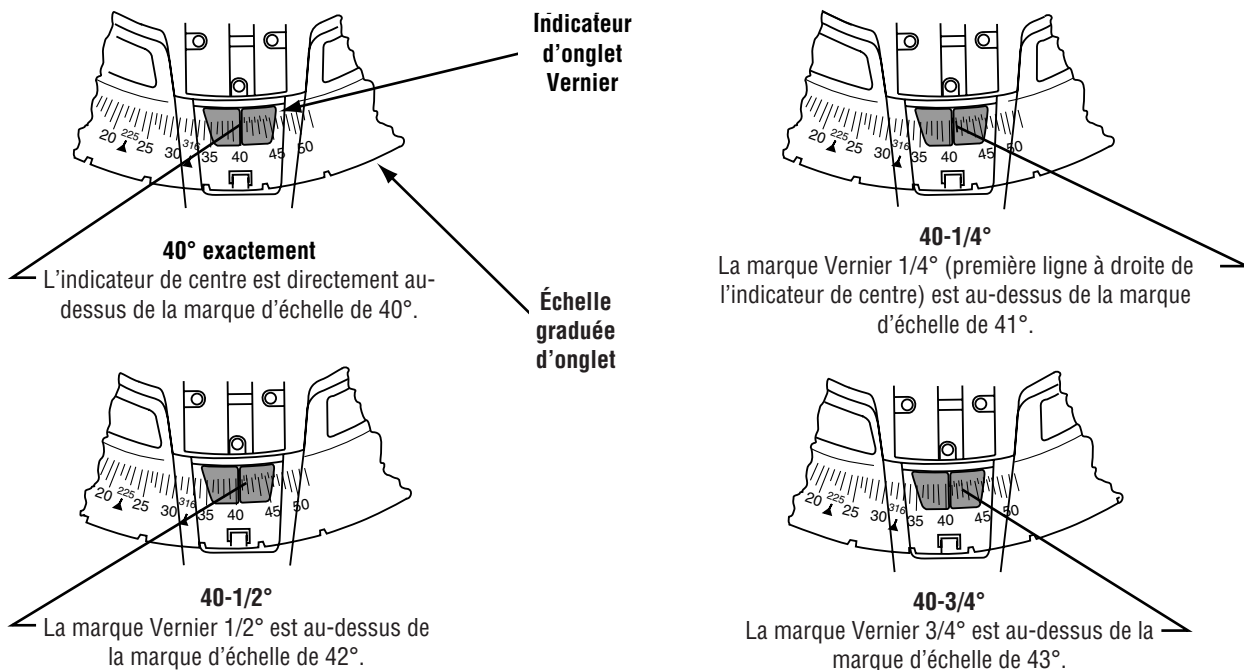
The Vernier miter scale can help you adjust the miter to any 1/4° increment.



Vernier and Miter Scale Usage

Utilisation de l'échelle graduée d'onglet et de l'échelle graduée Vernier

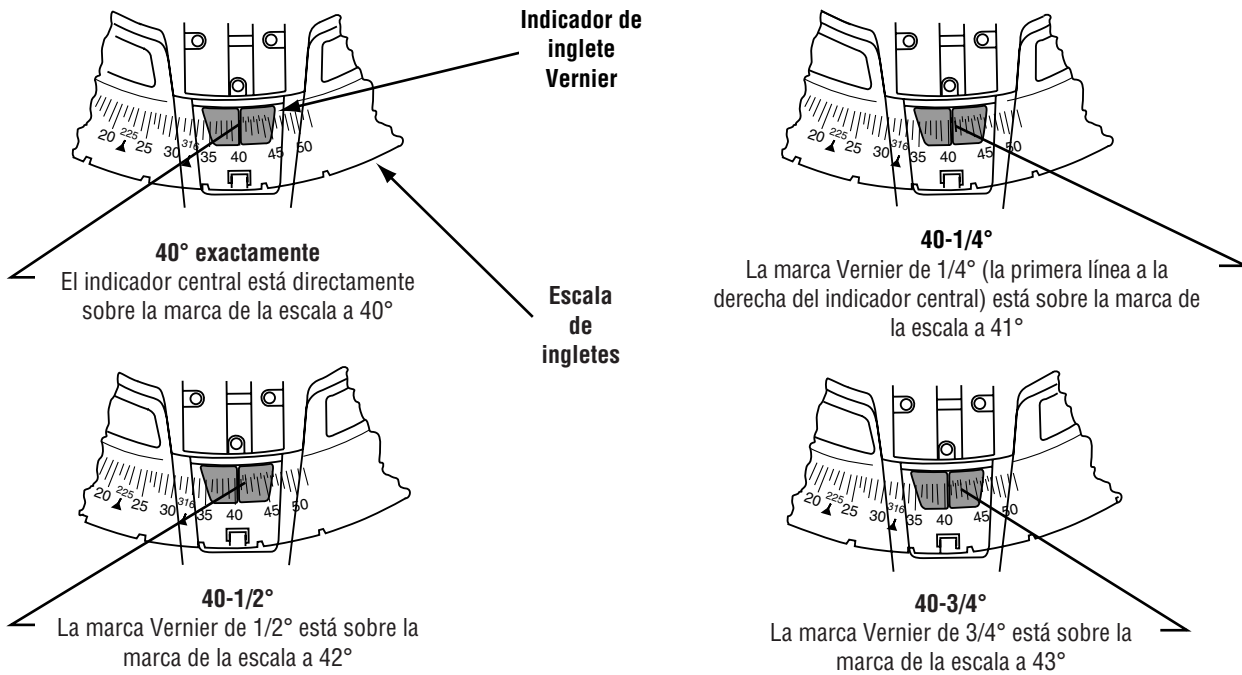
L'échelle graduée d'onglet Vernier peut vous aider à ajuster l'onglet à tout accroissement de 1/4°.



Utilisation de l'échelle graduée Vernier et d'onglet

Uso de la escala de ingletes y la escala Vernier

La escala de ingletes Vernier puede ayudarle a ajustar el inglete en cualquier incremento de $1/4^\circ$.

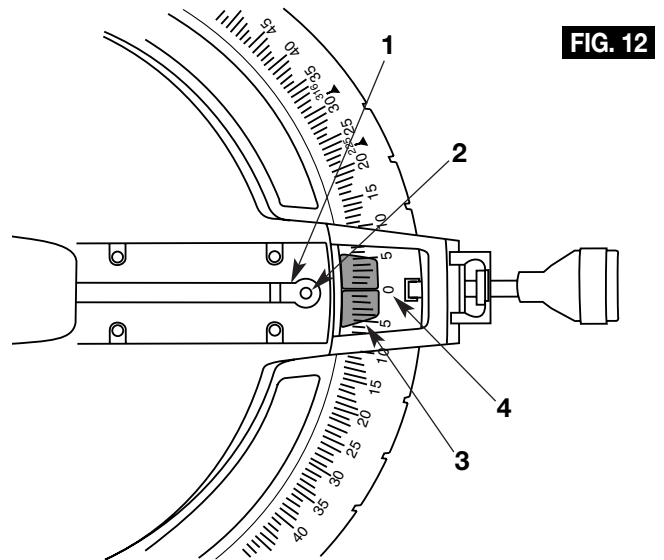


Uso de la escala Vernier y la escala de ingletes

Adjustments

Miter Scale (Vernier) Indicator Adjustment

1. Raise the head assembly to the full-up position.
2. Through the slot 1 in the kerf insert, loosen the Phillips screw 2 that holds the indicator 3 in place (Figure 12).
3. Position the indicator 3 to align with the 0° miter mark 4. Tighten the screw 2.

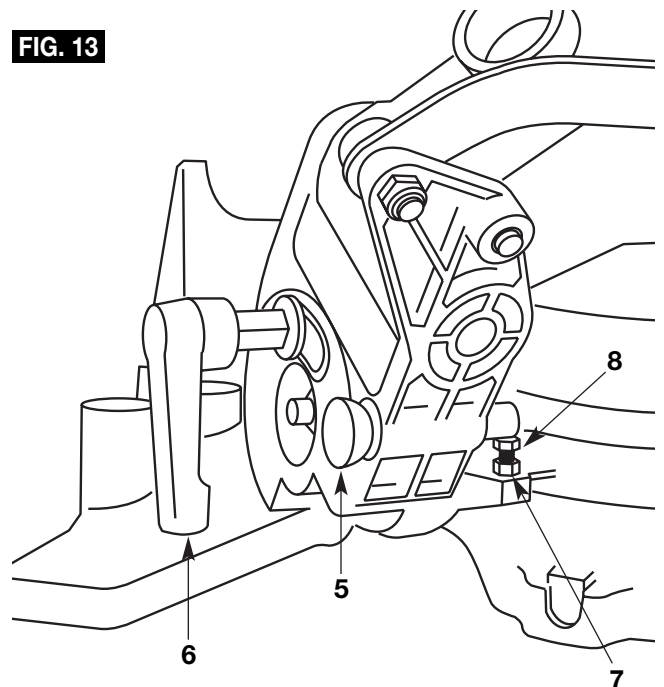


Crown Molding Detent Adjustment (Bevel)

1. Move sliding fence to proper position. (See Sliding Fence on page 54.)
2. Push detent stop pin 5 completely in as shown in (Figure 13).

CAUTION Keep pin in out position for all operations except when cutting crown molding.

3. Loosen bevel lock handle 6. Rotate head assembly until the stop pin 5 rests on top of the crown molding adjustment bolt 8 and the pointer is indicating 33.9° on the bevel scale. Tighten the bevel lock handle 6 (Figure 13).
4. Measure the angle between the blade and the table. If it is not 33.9° follow the procedures for the crown molding detent adjustment.



Crown Molding Detent Adjustment

- a. Loosen jam nut 7 with the wrench provided.
- b. Loosen bevel lock handle 6.
- c. Turn crown molding adjustment bolt 8 with the wrench provided until blade aligns a the square at 33.9°.
- d. Tighten bevel lock handle 6.
- e. Tighten jam nut 7.

Réglages

Réglage de l'indicateur de l'échelle graduée d'onglet (Vernier)

1. Levez la tête jusqu'à sa position entièrement levée.
2. Par le biais de la fente **1** pratiquée dans l'insert d'encoche, desserrez la vis à empreinte cruciforme **2** qui tient l'indicateur **3** en place (Figure 12).
3. Positionnez l'indicateur **3** de manière à ce qu'il s'aligne sur la marque d'onglet 0° **4**. Serrez la vis **2**.

Réglage du cran d'arrêt moulures en couronne (biseau)

1. Déplacez le guide à glissière à la position appropriée. (Voir Guide à glissière à la page 55.)
2. Enfoncez complètement le boulon de butée d'arrêt **5** selon l'illustration de la (Figure 13).

⚠ AVERTISSEMENT Gardez la cheville sortie pour toutes les opérations à l'exception de la coupe de moulures en couronne.

3. Desserrez la poignée de blocage du biseau **6**. Tournez l'ensemble de la tête jusqu'à ce que le boulon de butée repose sur le dessus du boulon de réglage pour moulages en couronne **8** et jusqu'à ce que l'aiguille indique 33,9° sur l'échelle de biseau. Serrez la poignée de blocage de biseau **6** (Figure 13).
4. Mesurez l'angle entre la lame et la table. S'il n'est pas de 33,9°, suivez les procédures de réglage du cran d'arrêt moulures en couronne.

Réglage du cran d'arrêt moulures en couronne

- a. Desserrez le contre-écrou **7** avec la clé fournie.
- b. Desserrez la poignée de blocage de biseau **6**.
- c. Tournez le boulon de réglage pour moulages en couronne **8** avec la clé fournie jusqu'à ce que la lame s'aligne sur l'équerre à 33,9°.
- d. Serrez la poignée de blocage de biseau **6**.
- e. Serrez le contre-écrou **7**.

Ajustes

Ajuste del indicador (Vernier) de la escala de ingletes

1. Suba el ensamblaje del cabezal hasta la posición completamente hacia arriba.
2. A través de la ranura **1** del accesorio de inserción para la separación de corte, afloje el tornillo Phillips **2** que sujeta el indicador **3** en su sitio (Figura 12).
3. Posicione el indicador **3** para alinearlo con la marca de inglete de 0° **4**. Apriete el tornillo **2**.

Ajuste del retén para moldura de techo (bisel)

1. Mueva el tope-guía deslizante a la posición apropiada. (Ver Topes-guía deslizantes en la página 55.)
2. Empuje completamente hacia adentro el pasador de tope de retén **5** de la manera que se muestra en la Figura 13.

⚠ PRECAUCION Mantenga el pasador en la posición hacia afuera para todas las operaciones, excepto al cortar moldura de techo.

3. Afloje el mango de fijación de bisel **6**. Gire el ensamblaje del cabezal hasta que el pasador de tope **5** descansa sobre el perno de ajuste de molduras de techo **8** y el indicador esté señalando 33,9° en la escala de biseles. Apriete el mango de fijación de bisel **6** (Figura 13).
4. Mida el ángulo entre la hoja y la mesa. Si no es de 33,9°, siga los procedimientos para el ajuste del retén para moldura de techo.

Ajuste del retén para moldura de techo

- a. Afloje la contratuerca **7** con la llave de tuerca suministrada.
- b. Afloje el mango de fijación de bisel **6**.
- c. Gire el perno de ajuste de molduras de techo **8** con la llave de tuerca suministrada hasta que la hoja esté alineada en la escuadra a 33,9°.
- d. Apriete el mango de fijación de bisel **6**.
- e. Apriete la contratuerca **7**.

Installation

⚠ WARNING To avoid injury from unexpected saw movement observe the following:

- Disconnect battery pack from tool. Before transporting the saw, rotate head assembly to 45° miter, lock into detent and lock the head assembly in the lowered position.
- To avoid back injury, hold the tool close to your body when lifting. Bend your knees so you can lift with your legs, not your back. Lift by using the cast-in carry handles at each side of the bottom of the base or by the carrying handle.
- Never carry the miter saw by the operational handle.
- Observe the position of the saw. People standing behind it could be injured by thrown debris.
- Place the saw on a firm, level surface where there is plenty of room for handling and properly supporting the workpiece.
- Bolt, nail or clamp the saw to its support.

⚠ CAUTION Be careful not to over drive nail or over torque the bolt. This could crack foot or damage base.

Installation

⚠ AVERTISSEMENT Pour éviter les blessures causées par un mouvement inattendu de la scie, observez les mesures suivantes :

- Débranchez le bloc-pile de l'outil. Avant de transporter la scie, tournez la tête à l'onglet 45°, bloquez dans le cran d'arrêt et bloquez la tête en position abaissée.
- Pour éviter des lésions au dos, tenez l'outil à proximité de votre corps lorsque vous le soulevez. Pliez vos genoux de manière à pouvoir le lever avec les jambes, et non avec le dos. Soulevez en utilisant les poignées moulées sur chaque côté au bas de la base ou en utilisant la poignée de transport.
- Ne transportez jamais la scie à onglet par la poignée opérationnelle.
- Notez la position de la scie. Les personnes se tenant derrière la scie pourraient être blessées par la projection de débris.
- Placez la scie sur une surface ferme et à niveau comportant amplement d'espace pour manier et supporter adéquatement l'ouvrage.
- Boulonnez, clouez ou cramponnez la scie à son support.

⚠ AVERTISSEMENT Veillez à ne pas enfoncer excessivement le clou ou à ne pas serrer excessivement le boulon. Ceci pourrait craquer le pied ou abîmer la base.

Instalación

⚠ ADVERTENCIA Para evitar lesiones debidas a un movimiento inesperado de la sierra, siga las instrucciones siguientes:

- Desconecte el paquete de baterías de la herramienta. Antes de transportar la sierra, gire el ensamblaje del cabezal hasta el inglete de 45°, fíjelo en el retén y fije el ensamblaje del cabezal en la posición bajada.
- Para evitar lesiones en la espalda, sujete la herramienta cerca del cuerpo cuando la levante. Doble las rodillas para poder levantar la herramienta haciendo fuerza con las piernas, no con la espalda. Levante la herramienta usando los mangos de transporte fundidos que se encuentran a los lados de la parte inferior de la base o usando el mango de transporte.
- Nunca lleve la sierra para cortar ingletes por el mango operativo.
- Fíjese en la posición de la sierra. Las personas que se encuentren detrás de ella podrían resultar lesionadas por residuos que salgan despedidos.
- Coloque la sierra sobre una superficie firme y nivelada, donde haya suficiente espacio para manejar y soportar adecuadamente la pieza de trabajo.
- Atornille, clave o fije con abrazaderas la sierra a su soporte.

⚠ PRECAUCION **Tenga cuidado de no clavar demasiado el clavo ni girar demasiado el perno.**
Esto podría agrietar el pie o dañar la base.

Installation

Mounting Applications

Workbench

Mount the saw using either the four bolt holes (7/16") **1** or the four nail holes **2** to the workbench. Check for clearance to the left and right of the saw (Figure 16).

1. Each of the four mounting holes should be bolted securely using 7/16" flat head screws, lock washers, and hex nuts (not included).
2. Locate and mark where the saw is to be mounted.
3. Drill four (4) 7/16" diameter holes through workbench.
4. Place the compound miter saw on the workbench aligning holes in base with holes drilled in workbench. Install screws, lock washers and hex nuts.

Supporting surface where saw is to be mounted should be examined carefully after mounting to insure that no movement can occur during use. If any tipping or walking is noted, secure the workbench or stand before operating the compound miter saw.

Portable Mounting Using Clamps

- If necessary, clamp the compound miter saw to a workbench or table top.
- Place two (2) or more "C" clamps **3** on the clamping areas and secure (Figure 17).

Portable Mounting Using 1x4's

- In order to avoid any twisting of the saw, the saw can be placed over 1x4's mounted on a workbench.
- The cast-in carry handle openings have ribs on the inside that are the same size as a 1x4. Center the miter saw openings over the 1x4 clamped or nailed **4** on a workbench for stability (Figure 18).

NOTE: The board does not slide completely through the opening. The saw must be placed over two (2) boards, one on each side.

FIG. 14

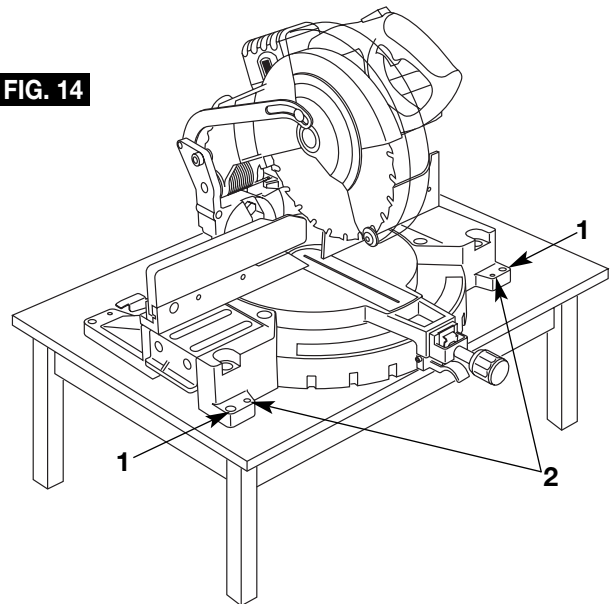


FIG. 15

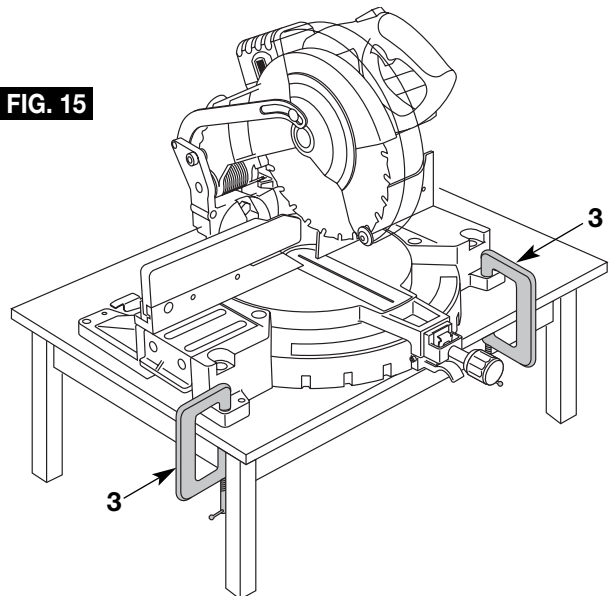
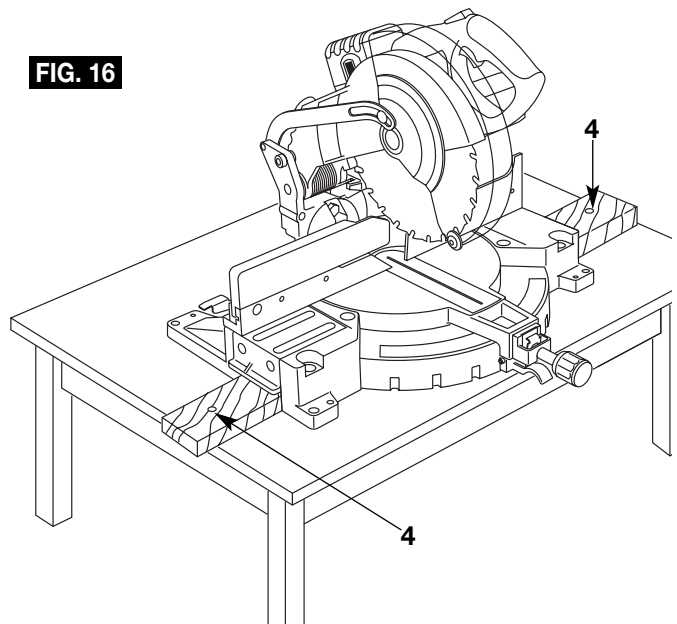


FIG. 16



Installation

Applications de montage

Établi

Montez la scie à l'établi à l'aide des quatre trous de boulon (7/16 po) **1** ou des quatre trous de clou **2**. Assurez-vous d'un dégagement suffisant à gauche et à droite de la scie (Figure 16).

1. Chacun des quatre trous de montage doit être boulonné solidement à l'aide de vis à tête plate de 7/16 po, de rondelles d'arrêt et d'écrous hexagonaux (non fournis).
2. Repérez et marquez l'emplacement du montage de la scie.
3. Percez quatre (4) trous de 7/16 po de diamètre à travers l'établi.
4. Placez la scie à onglet composée sur l'établi en alignant les trous de la base sur ceux percés dans l'établi. Posez des vis, des rondelles d'arrêt et des écrous hexagonaux.

La surface d'appui où la scie doit être montée doit être examinée soigneusement après le montage pour s'assurer qu'il ne pourra y avoir aucun mouvement durant l'usage. En cas de basculement ou d'avance, fixez solidement l'établi ou le support avant d'utiliser la scie à onglet composée.

Montage portatif à l'aide de serre-joints

- Si besoin est, cramponnez la scie à onglet composée à un établi ou à une table.
- Placez au moins deux (2) serre-joints en **C 3** sur les surfaces de cramponnage et fixez solidement (Figure 17).

Montage portatif à l'aide de 1x4

- Pour éviter toute torsion de la scie, la scie peut être placée sur des 1x4 montés sur un établi.
- Les ouvertures des poignées de transport moulées présentent des nervures à l'intérieur de dimensions identiques à celles d'un 1x4. Centrez les ouvertures de la scie à onglet par-dessus le 1x4 cramponné ou cloué **4** sur un établi pour plus de stabilité (Figure 18).

REMARQUE : La planche ne glisse pas entièrement à travers l'ouverture. La scie doit être placée par-dessus deux (2) planches, une de chaque côté.

Instalación

Aplicaciones de montaje

Banco de trabajo

Monte la sierra en el banco de trabajo usando los cuatro agujeros para pernos (7/16") **1** o los cuatro agujeros para clavos **2**. Compruebe que haya espacio libre a la izquierda y a la derecha de la sierra (Figura 16).

1. Cada uno de los cuatro agujeros de montaje debe atornillarse firmemente usando tornillos de cabeza plana de 7/16", arandelas de seguridad y tuercas hexagonales (no se incluyen).
2. Localice y marque donde se va a montar la sierra.
3. Haga cuatro (4) agujeros de 7/16" de diámetro a través del banco de trabajo.
4. Coloque la sierra para cortar ingletes compuestos sobre el banco de trabajo alineando los agujeros de la base con los agujeros hechos en el banco de trabajo. Instale los tornillos, las arandelas de seguridad y las tuercas.

La superficie de soporte donde se va a montar la sierra se debe examinar cuidadosamente después de montarla para asegurarse de que no se pueda producir ningún movimiento durante la utilización. Si se observa alguna inclinación o desplazamiento, fije el banco de trabajo o la base para la herramienta antes de utilizar la sierra para cortar ingletes compuestos.

Montaje portátil usando abrazaderas

- Si es necesario, fije con abrazaderas la sierra para cortar ingletes compuestos a un banco de trabajo o a un tablero de mesa.
- Coloque dos (2) o más abrazaderas en "C" **3** en las áreas de fijación con abrazadera y fijelas (Figura 17).

Montaje portátil usando tablas de 1x4

- Para evitar que la sierra se tuerza, ésta se debe colocar sobre tablas de 1x4 montadas sobre un banco de trabajo.
- Las aberturas del mango de transporte fundido tienen nervaduras en el interior que son del mismo tamaño que una tabla de 1x4. Centre las aberturas de la sierra para cortar ingletes sobre la tabla de 1x4 fijada con abrazaderas o clavada **4** sobre un banco de trabajo para lograr mayor estabilidad (Figura 18).

NOTA: La tabla no se desliza completamente a través de la abertura. La sierra se debe colocar sobre dos (2) tablas, una a cada lado.

Basic Saw Operations

Body and Hand Position

⚠ WARNING Position your body and hands properly to make cutting easier and safer. Observe the following instructions (Figure 17A, B, C, & D).

- **Never place hands near cutting area. Keep hands outside the “No Hands Zone”.** The “No Hands Zone” is defined as the area between marked lines on the left and right side of the Base, including the entire Table and portion of the Fence within these marked lines. This zone is labeled by “No Hands” symbols placed just inside the marked lines on the Base.
- The tool can be activated with either hand, but no matter which hand you use to activate the switch, never cross hands as shown in (Figure 17D).
- Hold workpiece firmly to the fence to prevent movement.
- Keep hands in position until trigger has been released and blade has stopped completely.
- Keep feet firmly on the floor and maintain proper balance.
- Follow the miter arm when mitering left or right. Stand slightly to the side of the saw blade.
- Sight through the lower guard if following a pencil line.
- Before making any cut, with the power off, lower the blade to preview the blade path.

⚠ WARNING The lower guard may not automatically open under certain cutting conditions. If this occurs:

- Typically this may occur when trying to cut workpieces that are near the maximum cutting height capacity. Under these conditions, the workpiece can stop the lower guard movement before the downward motion of the arm could preopen the lower guard. If this occurs:
- Workpiece must be securely clamped. This frees your left hand to raise the guard **1** by the lip **2** just enough to clear the workpiece (Figure 18).
- Start the saw and begin your cut.
- Once you have cleared the position where the lower guard may bind, release the guard and it will continue to raise automatically as you cut.

FIG. 17

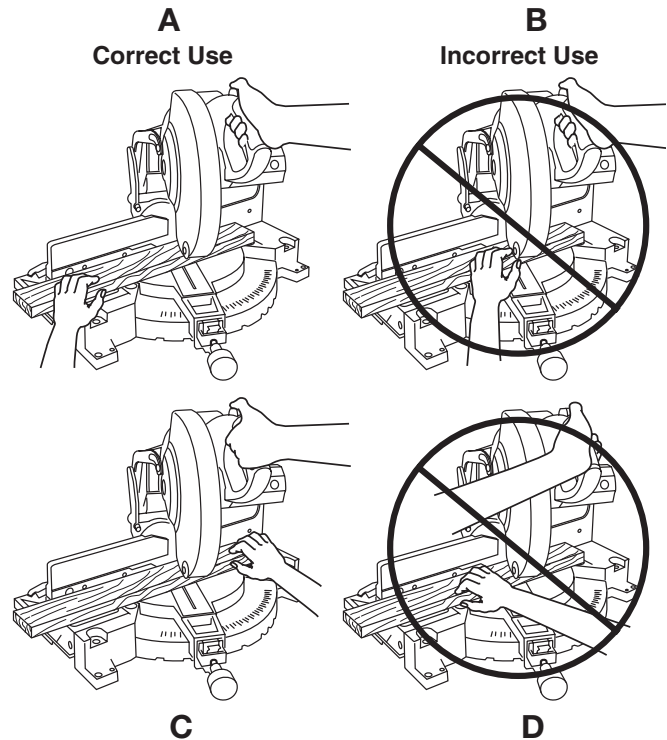
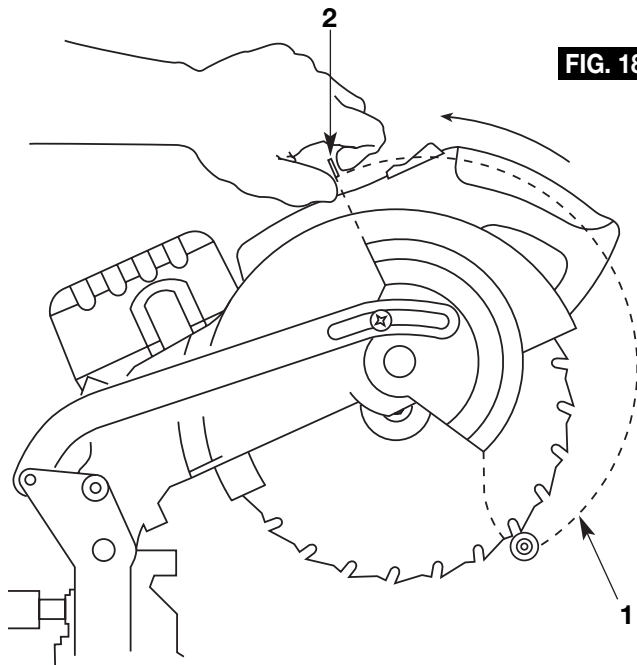


FIG. 18



Opérations de base de la scie

Position du corps et des mains

⚠ AVERTISSEMENT Positionnez votre corps et vos mains adéquatement pour rendre la coupe plus facile et plus sûre. Observez les instructions suivantes (Figure 17, A, B, C, et D).

- **Ne placez jamais les mains à proximité de l'aire de coupe. Gardez les mains à l'extérieur de la zone interdite aux mains.** La zone interdite aux mains se définit comme la zone entre les lignes marquées sur les côtés gauche et droit de la base, y compris toute la table et une partie du guide à l'intérieur de ces lignes marquées. Cette zone est identifiée par les symboles d'interdiction aux mains placés immédiatement à l'intérieur des lignes marquées sur la base.
- L'outil peut être activé avec l'une ou l'autre main, mais quelle que soit la main que vous utilisiez pour activer l'interrupteur, ne croisez jamais les mains selon l'illustration de la Figure 17D.
- Tenez l'ouvrage fermement sur le guide pour empêcher tout mouvement.
- Gardez les mains en place jusqu'à ce que la gâchette ait été relâchée et que la lame se soit complètement arrêtée.
- Gardez les pieds fermement sur le plancher et maintenez un bon équilibre.
- Suivez le bras d'onglet en coupant à gauche ou à droite. Tenez-vous légèrement sur le côté de la lame de scie.
- Regardez à travers le protecteur inférieur si vous suivez une ligne de crayon.
- Avant de pratiquer quelque coupe que ce soit et l'outil étant hors tension, abaissez la lame pour visualiser préalablement le parcours de la lame.

⚠ AVERTISSEMENT Il se peut que le protecteur inférieur ne s'ouvre pas automatiquement dans certaines conditions de coupe. Dans ce cas :

- Ceci peut se produire généralement en tentant de couper des ouvrages qui se rapprochent de la capacité maximum de hauteur de coupe. Dans ces conditions, l'ouvrage peut arrêter le mouvement du protecteur inférieur avant que le mouvement vers le bas du bras ne puisse préouvrir le protecteur inférieur. Dans ce cas :
- L'ouvrage doit être cramponné solidement. Ceci libère votre main gauche pour soulever le protecteur **1** par le rebord **2** suffisamment pour passer à côté de l'ouvrage (Figure 18).
- Mettez la scie en marche et commencez votre coupe.
- Lorsque vous êtes passé à côté de la position où le protecteur inférieur peut gripper, relâchez le protecteur et il continuera à lever automatiquement au fur et à mesure que vous coupez.

Operaciones básicas de la sierra

Posición del cuerpo y de las manos

⚠ ADVERTENCIA Posicione el cuerpo y las manos de modo adecuado para hacer que las operaciones de corte sean más fáciles y seguras. Siga las instrucciones siguientes (Figura 17, A, B, C, y D).

- **Nunca ponga las manos cerca del área de corte. Mantenga las manos fuera de la "Zona de no tocar con la mano".** La "Zona de no tocar con la mano" se define como el área entre las líneas marcadas en el lado izquierdo y en el lado derecho de la base, incluyendo toda la mesa y parte del tope-guía dentro de estas líneas marcadas. Esta zona está rotulada con símbolos de "No tocar con la mano" colocados justo dentro de las líneas marcadas en la base.
- La herramienta puede activarse con cualquier mano, pero independientemente de qué mano use para activar el interruptor, nunca cruce las manos de la manera que se muestra en la Figura 17D.
- Sujete la pieza firmemente al tope-guía para evitar que se mueva.
- Mantenga las manos en su sitio hasta que se haya soltado el gatillo y la hoja se haya detenido completamente.
- Mantenga los pies firmemente en el piso y mantenga un equilibrio adecuado.
- Siga el brazo de inglete al ingletear a la izquierda o a la derecha. Sitúese ligeramente a un lado de la hoja de sierra.
- Mire a través del protector inferior si está siguiendo una línea de lápiz.
- Antes de hacer cualquier corte, con la herramienta apagada, baje la hoja para ver con antelación la trayectoria de la misma.

⚠ ADVERTENCIA Puede que el protector inferior no se abra automáticamente en ciertas condiciones de corte. Si esto sucede:

- Generalmente, esto puede suceder al intentar cortar piezas de trabajo que están cerca de la capacidad de altura de corte máxima. En estas condiciones la pieza de trabajo puede detener el movimiento del protector inferior antes de que el movimiento hacia abajo del brazo pueda preabrir el protector inferior. Si esto sucede:
- La pieza de trabajo debe sujetarse firmemente con abrazaderas. Esto deja libre la mano izquierda para subir el protector **1** por el reborde **2** justo lo suficiente para que no toque la pieza de trabajo (Figura 18).
- Arranque la sierra y comience el corte.
- Una vez que haya despejado la posición donde el protector inferior podría atascarse, suelte el protector y éste continuará subiendo automáticamente a medida que usted corte.

Basic Saw Operations

Workpiece Support

⚠ WARNING Long workpieces have a tendency to tip over unless clamped down and properly supported from underneath.

Clamps

Quick Action Clamp - This clamp easily secures a workpiece in any of six (6) clamp holes around the saw (Figure 19).

- Insert clamp post into clamp hole **1**.
- Adjust screw rod **2** to proper height, if necessary.
- Press down on lever **3** to tighten clamp.
- Move the head assembly to check clearance with clamp.
- Pull up on lever to release clamp.

⚠ WARNING There may be extreme compound cuts where clamp cannot be used. Support with hand outside No Hands Zone. **Do not try to cut short pieces** that cannot be clamped and cause your hand to be in the No Hands Zone.

Conventional Clamps and other hold down devices can be used to hold the workpiece firmly against the table and the fence.

Long Workpiece Support

Blocks - Long pieces need extra support. Boards can be used to create auxiliary support extensions for long workpieces (Figure 20).

Extension and Stock Stop - This attachment (accessory BB1204) allows extra support for the longer workpieces. Refer to the accessory instruction sheet for details (Figure 21). See page 76 for a complete accessory list.

FIG. 19

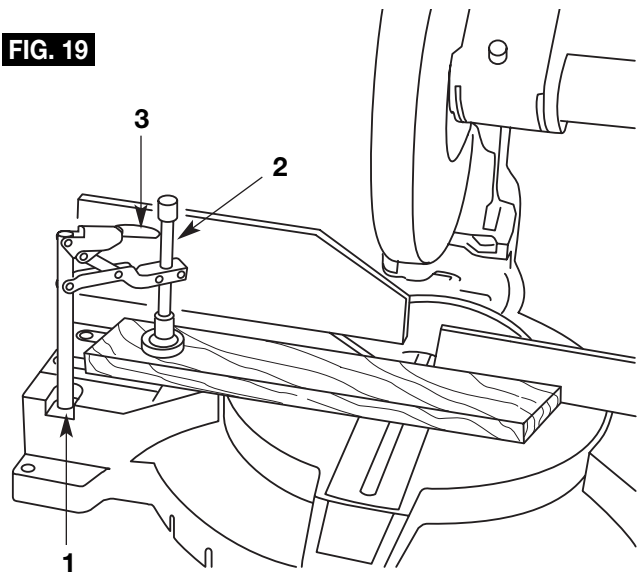


FIG. 20

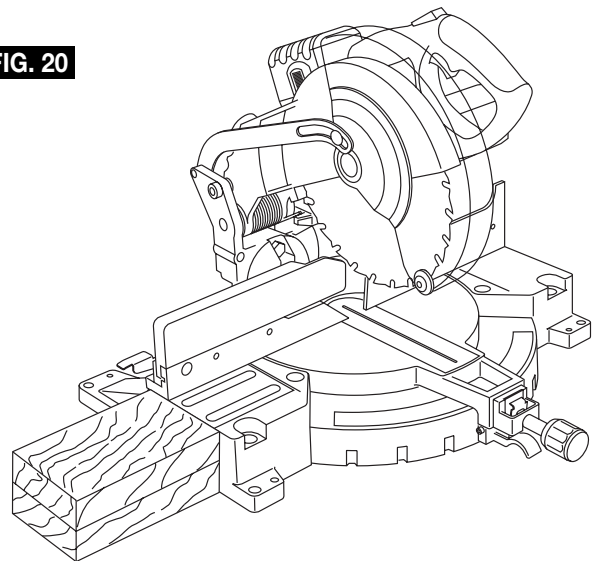
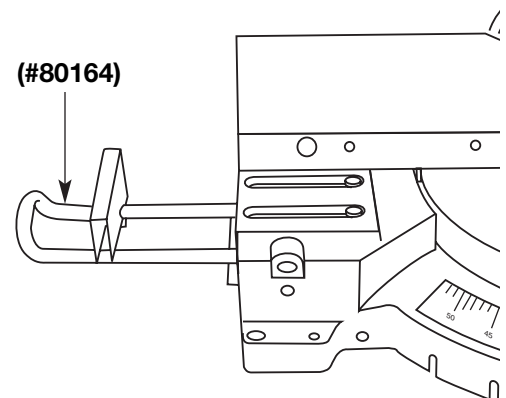


FIG. 21



Opérations de base de la scie

Support de l'ouvrage

⚠ AVERTISSEMENT Les ouvrages longs ont tendance à basculer à moins qu'ils ne soient cramponnés et ne soient dûment supportés par en-dessous.

Serre-joints

Serre-joint à action rapide — Ce serre-joint permet de fixer un ouvrage sans difficulté dans l'un des huit (8) trous de serre-joint autour de la scie (Figure 19).

- Insérez le montant de serre-joint dans le trou de serre-joint **1**.
- Ajustez la tige filetée **2** à la hauteur appropriée, si besoin est.
- Appuyez sur le levier **3** pour serrer le serre-joint.
- Déplacez la tête afin de vérifier l'écartement avec le serre-joint.
- Tirez le levier vers le haut pour relâcher le serre-joint.

⚠ AVERTISSEMENT Il peut y avoir des coupes composées extrêmes lorsque le serre-joint ne peut pas être utilisé. Supportez avec la main à l'extérieur de la zone interdite aux mains. **N'essayez pas de couper des pièces courtes** qui ne peuvent être cramponnées et vous obligeraient à mettre la main dans la zone interdite aux mains.

On peut utiliser les serre-joints conventionnels et autres dispositifs de retenue pour tenir l'ouvrage fermement contre la table et le guide.

Support d'ouvrages longs

Blocs - Les pièces longues ont besoin d'être mieux soutenues. On peut utiliser des planches pour créer des rallonges de support auxiliaires pour les ouvrages longs (Figure 20).

Rallonge et cale — Cet accessoire (No. BB1204) offre un support supplémentaire pour les ouvrages plus longs. Pour plus de détails, reportez-vous à la feuille d'instructions sur les accessoires (Figure 21). Voir la liste complète des accessoires à la page 76.

Operaciones básicas de la sierra

Soporte de la pieza de trabajo

⚠ ADVERTENCIA Las piezas de trabajo largas tienen tendencia a inclinarse a menos que estén sujetas con abrazaderas y soportadas adecuadamente desde debajo.

Abrazaderas

Abrazadera de acción rápida: Esta abrazadera fija fácilmente una pieza de trabajo en cualquiera de los ocho (8) agujeros para abrazadera alrededor de la sierra (Figura 19).

- Introduzca el poste de la abrazadera en el agujero para abrazadera **1**.
- Ajuste la varilla roscada **2** a la altura apropiada si es necesario.
- Presione hacia abajo sobre la palanca **3** para apretar la abrazadera.
- Mueva el ensamblaje del cabezal para comprobar el espacio libre con la abrazadera.
- Tire de la palanca hacia arriba para soltar la abrazadera.

⚠ ADVERTENCIA Es posible que haya cortes compuestos extremos en que no se pueda usar una abrazadera. Sujete la pieza de trabajo con la mano fuera de la "Zona de no tocar con la mano". **No intente cortar piezas cortas** que no se puedan fijar con una abrazadera y que puedan hacer que la mano esté entre en la "Zona de no tocar con la mano".

Las abrazaderas convencionales y otros dispositivos de sujeción se pueden usar para sujetar las piezas de trabajo firmemente contra la mesa y el tope-guía.

Soporte de piezas de trabajo largas

Bloques: Las piezas de trabajo largas necesitan soporte adicional. Se pueden usar tablas para crear extensiones de soporte auxiliar para piezas de trabajo largas (Figura 20).

Extensión y tope para el material: Este aditamento (accesorio No. BB1204) ofrece soporte adicional para las piezas de trabajo más largas. Consulte la hoja de instrucciones del accesorio para obtener detalles (Figura 21). Vea la página 76 para obtener una lista completa de accesorios.

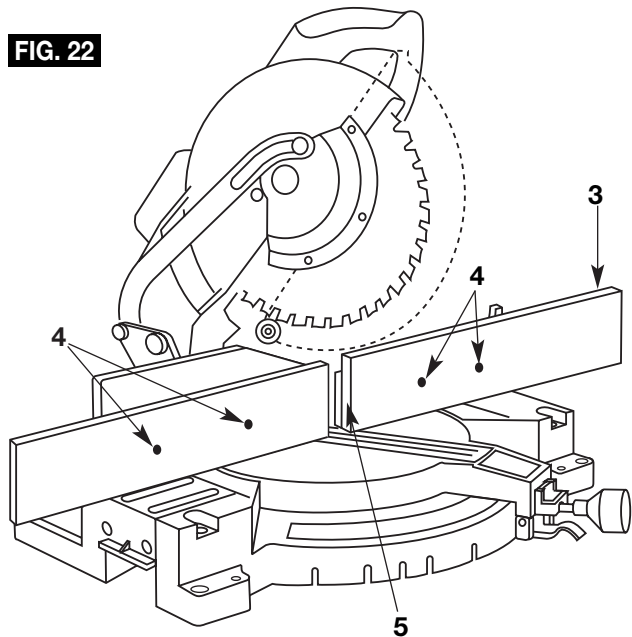
Basic Saw Operations

Auxiliary Fence - Certain types of molding need a fence face extension because of the size and position of the workpiece. Holes are provided in the fence to attach an auxiliary fence. The auxiliary fence is used with the saw in the 0° bevel position only.

1. Place a piece of wood **3** against the miter saw fence (Figure 22). (Wood can have a maximum height as high as the fence on the left. For the right side, check that head assembly does not interfere with auxiliary fence.)
2. Mark the locations of the support holes on the wood from the back side of the fence.
3. Drill and countersink the holes on the front of the support board.
4. Attach the auxiliary fence using four (4) flat head machine screws **4**. Make a full depth cut to create the blade slot **5**. Check for interference between the auxiliary fence and the lower blade guard. Make adjustments as necessary.

⚠ WARNING Check for interference from any components.

FIG. 22

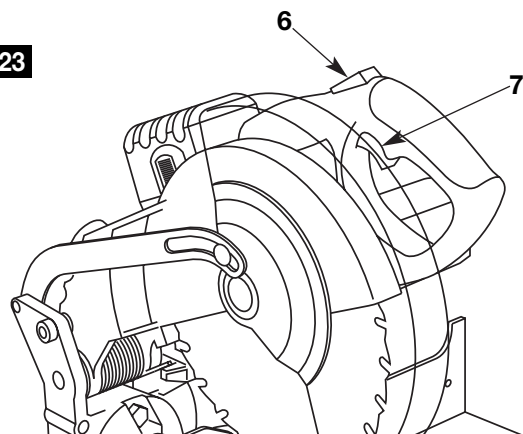


Switch Activation

To reduce the likelihood of accidental start-up, the switch is equipped with a safety button **6** that must be depressed before the trigger **7** can be activated. The safety button is designed to be activated by the right or left thumb. When the safety button is depressed, the trigger is unlocked and it can be pulled to activate the motor. Once the trigger is activated, release the safety button so it can automatically engage and lock the switch upon release of the trigger (Fig. 23).

NOTE: Switch can accommodate a padlock with a long shackle of up to 3/16" in diameter (not provided with compound miter saw) to prevent unauthorized use.

FIG. 23



Opérations de base de la scie

Guide auxiliaire — Certains types de moulure nécessitent une rallonge de face de guide en raison de la dimension et de la position de l'ouvrage. Des trous sont pratiqués dans le guide pour fixer un guide auxiliaire. Le guide auxiliaire est utilisé avec la scie en position biseau 0° seulement.

1. Placez une pièce de bois **3** contre le guide de la scie à onglet (Figure 22). (Le bois peut avoir une hauteur maximum aussi grande que le guide à gauche. Pour le côté droit, assurez-vous que la tête ne gêne pas le guide auxiliaire.)
2. Marquez les emplacements des trous de support sur le bois depuis l'arrière du guide.
3. Percez et fraisez les trous à l'avant de la planche de support.
4. Fixez le guide auxiliaire à l'aide de quatre (4) vis à tête plate **4**. Pratiquez une coupe de profondeur normale pour créer la fente à lame **5**. Vérifiez s'il y a interférence entre le guide auxiliaire et le protecteur inférieur de lame. Faites des ajustements au besoin.

⚠ AVERTISSEMENT Vérifiez s'il y a interférence causée par un composant quelconque.

Actionnement par interrupteur

Pour réduire la probabilité d'une mise en marche accidentelle, l'interrupteur est pourvu d'un bouton de sécurité **6** qui doit être enfoncé avant que la gâchette **7** ne puisse être actionnée. Le bouton de sécurité est conçu de manière à être actionné par le pouce droit ou gauche. Lorsque le bouton de sécurité est enfoncé, la gâchette est débloquée et elle peut être tirée afin d'actionner le moteur. Une fois la gâchette actionnée, relâchez le bouton de sécurité de manière à ce qu'il puisse être engagé automatiquement, et bloquez l'interrupteur dès relâchement de la gâchette (Fig. 23).

REMARQUE : L'interrupteur peut recevoir un cadenas avec une tige longue d'un diamètre allant jusqu'à 3/16 po (non fourni avec la scie composée à onglet) afin de prévenir l'utilisation non autorisée.

Operaciones básicas de la sierra

Tope-guía auxiliar: Ciertos tipos de moldura necesitan una extensión de la cara del tope-guía debido al tamaño y la posición de la pieza de trabajo. El tope-guía cuenta con agujeros para sujetar un tope-guía auxiliar. El tope-guía auxiliar se usa con la sierra en la posición de bisel de 0° solamente.

1. Coloque un pedazo de madera **3** contra el tope-guía de la sierra para cortar ingletes (Figura 22). (La madera puede tener una altura máxima igual a la del tope-guía a la izquierda. Para el lado derecho, compruebe que el ensamblaje del cabezal no interfiera con el tope-guía auxiliar.)
2. Marque las ubicaciones de los agujeros de soporte en la madera desde el lado posterior del tope-guía.
3. Taladre y avellane los agujeros en la parte delantera de la tabla de soporte.
4. Coloque el tope-guía auxiliar usando cuatro (4) tornillos de cabeza plana para metales **4**. Haga un corte de profundidad completa para crear la ranura para la hoja **5**. Compruebe si hay interferencia entre el tope-guía auxiliar y el protector inferior de la hoja. Haga ajustes según sea necesario.

⚠ ADVERTENCIA Compruebe si alguno de los componentes interfiere.

Activación del interruptor

Para reducir las posibilidades de un arranque accidental, el interruptor está equipado con un botón de seguridad **6** que se debe oprimir antes de que se pueda activar el gatillo **7**. El botón de seguridad está diseñado para ser activado con el dedo pulgar derecho o izquierdo. Cuando se oprime el botón de seguridad, el gatillo se desbloquea y se puede tirar de él para activar el motor. Una vez que se haya activado el gatillo, suelte el botón de seguridad de manera que pueda acoplar y fijar automáticamente el interruptor cuando se suelte el gatillo (Fig. 23).

NOTA: El interruptor puede acomodar un candado con una barra larga de hasta 3/16" de diámetro (no suministrado con la sierra para cortar ingletes compuestos) para evitar el uso no autorizado.

Basic Saw Operations

Detent Override

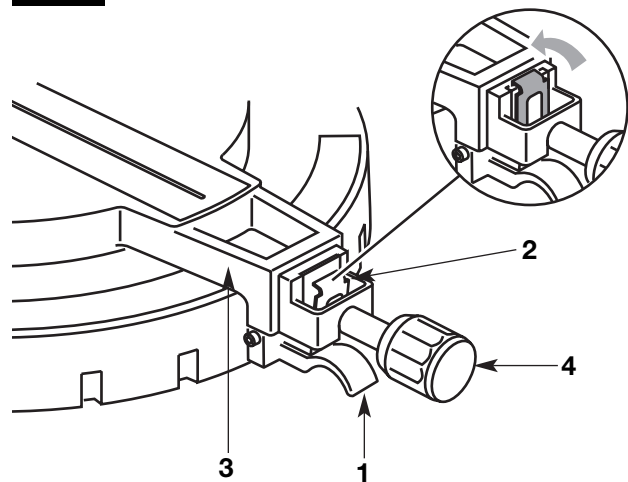
To Engage:

1. Lift the miter detent trigger **1** (Figure 24).
2. Push the detent override clip **2** forward and latch in place over edge. Release miter detent trigger **1**.
3. Move miter arm **3** to any position on the miter scale.
4. Lock the miter lock knob **4** to retain miter position.

To Disengage:

5. Loosen miter lock knob **4** and lift the miter detent trigger **1** to release the detent override clip **2**.

FIG. 24



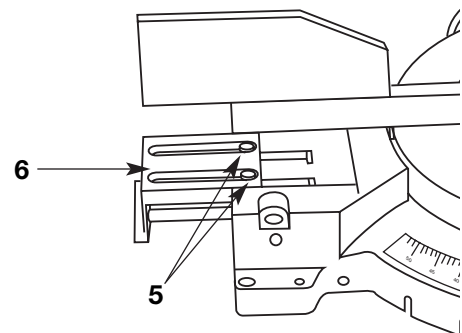
Sliding Base/Fence Extension

WARNING Extend and use sliding base/fence when making severe bevel, severe miter or compound cuts to provide sufficient (minimum 6") spacing from hand to saw blade.

Sliding Base:

1. Remove hex wrench from storage position on left rear leg.
2. Loosen two (2) socket cap screws **5** in sliding base channel with the 6 mm hex wrench provided (Figure 25).
3. Extend sliding base/fence **6** to the desired position.
4. Tighten screws. Store hex wrench.

FIG. 25

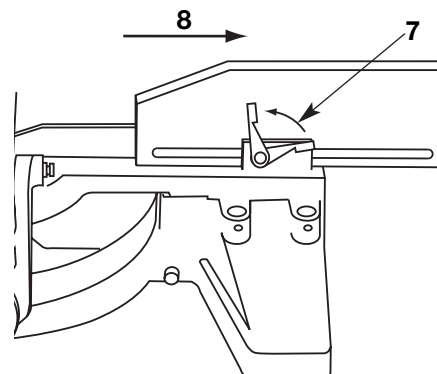


Sliding Fence:

1. Unlock the fence locking lever **7** (Figure 26).
2. Slide fence to proper position **8**.
3. Relock fence in place.

CAUTION During transportation, sliding base and fence should always be secured in the full in position.

FIG. 26



Opérations de base de la scie

Court-circuitage du cran d'arrêt

Pour engager :

1. Soulevez la gâchette du cran d'arrêt d'onglet **1** (Figure 24).
2. Poussez la pince de court-circuitage du cran d'arrêt **2** vers l'avant et verrouillez en place par-dessus le bord. Relâchez la gâchette du cran d'arrêt d'onglet **1**.
3. Déplacez le bras d'onglet **3** à toute position sur l'échelle graduée d'onglet.
4. Bloquez le bouton de blocage d'onglet **4** pour fixer la position de l'onglet.

Pour relâcher :

5. Desserrez le bouton de blocage d'onglet **4** et soulevez la gâchette du cran d'arrêt d'onglet **1** pour relâcher la pince de court-circuitage du cran d'arrêt **2**.

Rallonge de base/guide à glissière

⚠ AVERTISSEMENT Rallongez et utilisez la base/guide à glissière pour pratiquer des coupes composées ou des coupes difficiles au biseau ou à l'onglet pour assurer un écartement suffisant (minimum de 6 po) entre la main et la lame de scie.

Base à glissière :

1. Retirez la clé hexagonale de sa position de rangement sur le pied arrière droit.
2. Desserrez deux (2) vis à tête creuse **5** dans le canal de base coulissant avec la clé hexagonale de 6 mm qui vous est fournie.
3. Rallongez la base/guide **6** à glissière à la position désirée.
4. Serrez les vis. Rangez la clé hexagonale.

Guide à glissière :

1. Débloquez le levier **7** de blocage du guide (Figure 26).
2. Faites glisser le guide à la position appropriée **8**.
3. Rebloquez le guide en place.

⚠ AVERTISSEMENT Durant le transport, la base coulissante doit toujours être maintenue solidement en position entièrement rentrée.

Operaciones básicas de la sierra

Sobrecontrol del retén

Para acoplarlo:

1. Suba el gatillo del retén de inglete **1** (Figura 24).
2. Empuje el clip de sobrecontrol del retén **2** hacia adelante y acóplalo en su sitio sobre el borde. Suelte el gatillo del retén de inglete **1**.
3. Mueva el brazo de inglete **3** hasta cualquier posición en la escala de ingletes.
4. Fije el pomo de fijación de inglete **4** para retener la posición de inglete.

Para desacoplarlo:

5. Afloje el pomo de fijación de inglete **4** y suba el gatillo del retén de inglete **1** para soltar el clip de sobrecontrol del retén **2**.

Extensión de la base/tope-guía deslizante

⚠ ADVERTENCIA Extienda y use la base/tope-guía deslizante al hacer cortes en bisel extremos, cortes de inglete extremos o cortes compuestos extremos para proporcionar suficiente separación (mínimo 6") desde la mano hasta la hoja de sierra.

Base deslizante:

1. Quite la llave hexagonal de la posición de almacenamiento en la pata trasera izquierda.
2. Afloje los dos (2) tornillos de cabeza hueca **5** que están en el canal de la base deslizante con la llave hexagonal de 6 mm suministrada (Figura 25).
3. Extienda la base/tope-guía deslizante **6** hasta la posición deseada.
4. Apriete los tornillos. Guarde la llave hexagonal.

Tope-guía deslizante:

1. Suelte la palanca de fijación del tope-guía **7** (figura 26).
2. Deslice el tope-guía a la posición apropiada **8**.
3. Vuelva a fijar el tope-guía en su sitio.

⚠ PRECAUCION Durante el transporte, la base deslizante siempre debe estar fijada en la posición completamente hacia adentro.

Saw Operations

Miter Cut

- A miter cut is made at 0° bevel and any miter angle in the range from 48° left to 48° right.
- The miter scale is cast-in on the base for easy reading.
- Positive detents have been provided for fast and accurate mitering at 0°, 15°, 22.5°, and 45° left and right.
- There is also a crown molding detent at 31.6° (see Cutting Crown Molding for more information page 65).
- The sliding fence must always be be in its full right position, for maximum support, when making miter cuts (see Sliding Fence Adjustment, if necessary, page 54).
- For precision settings, use the detent override to lock out the detent. To adjust for 1/4° angles, use the vernier scale along with the detent override (see Vernier Scale for details).

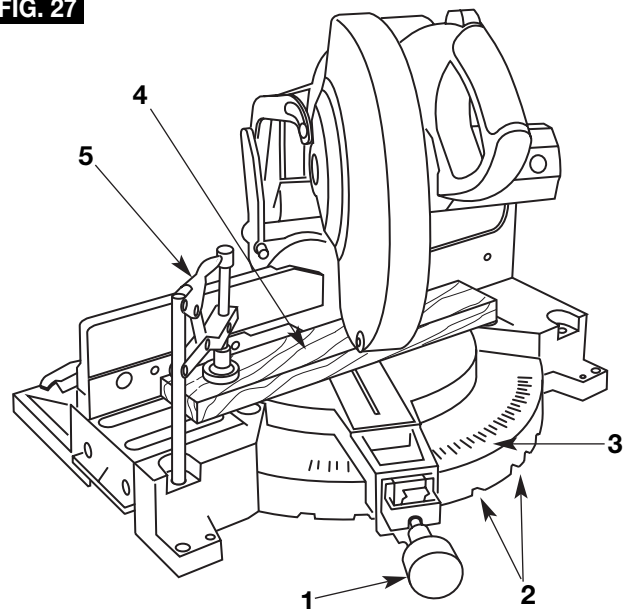
Follow these instructions for making your miter cut:

1. Loosen miter lock knob **1**. Lift miter detent trigger and move the saw to the desired angle, using either the detents **2** or the miter scale **3**. Tighten miter lock knob (Figure 27).
2. Properly position workpiece **4**. Make sure workpiece is clamped **5** firmly against the table and the fence.

⚠ WARNING Use clamping position that does not interfere with operation. Before switching on, lower head assembly to make sure clamp clears guard and head assembly.

3. Activate the switch. Lower the head assembly and make your cut.
4. Wait until blade comes to a complete stop before returning head assembly to the raised position and/or removing workpiece.

FIG. 27



Opérations de la scie

Coupe à l'onglet

- Une coupe à l'onglet est pratiquée au biseau 0° et à tout angle d'onglet variant entre 48° à gauche et 48° à droite.
- L'échelle graduée d'onglet est coulée dans la table pour faciliter la lecture.
- Des crans d'arrêt positifs ont été créés à 0°, 15°, 22,5° et 45° à gauche et à droite en vue d'une coupe rapide et exacte.
- Il existe également un cran d'arrêt moulures en couronne à 31,6° (voir Coupe de moulures en couronne pour de plus amples informations, à la page 65).
- Le guide à glissière doit toujours être en position entièrement vers la droite, en vue d'un support maximal, lors de la réalisation de coupes à l'onglet (voir Réglage du guide à glissière, si nécessaire, à la page 55).
- Pour des réglages de précision, utilisez le court-circuitage du cran d'arrêt pour inhiber le cran d'arrêt. Pour ajuster à des angles de 1/4°, utilisez l'échelle graduée Vernier ainsi que le court-circuitage du cran d'arrêt (voir Échelle graduée Vernier pour de plus amples informations).

Suivez ces instructions pour pratiquer votre coupe à l'onglet :

1. Desserrez le bouton de blocage d'onglet **1**. Soulevez la gâchette du cran d'arrêt d'onglet et déplacez la scie à l'angle désiré, en utilisant soit les crans d'arrêt **2** soit l'échelle graduée d'onglet **3**. Serrez le bouton de blocage d'onglet (Figure 27).
2. Positionnez l'ouvrage **4** adéquatement. Assurez-vous que l'ouvrage est cramponné **5** fermement contre la table et le guide.

⚠ AVERTISSEMENT Utilisez une position de cramponnage qui ne gêne pas le fonctionnement. Avant de mettre en marche, abaissez la tête pour vous assurer d'un écartement suffisant entre le serre-joint, d'une part, et le protecteur et la tête, d'autre part.

3. Actionnez l'interrupteur. Abaissez la tête et pratiquez votre coupe.
4. Attendez que la lame s'immobilise complètement avant de remettre la tête à la position levée et/ou de retirer l'ouvrage.

Operaciones de la sierra

Corte a inglete

- Un corte a inglete se hace a un bisel de 0° y cualquier ángulo de inglete en el intervalo de 48° a la izquierda a 48° a la derecha.
- La escala de ingletes está fundida sobre la mesa para poder leerla fácilmente.
- Se han provisto retenes positivos para un ingleteado rápido y preciso a 0°, 15°, 22.5° y 45° a la izquierda y a la derecha.
- También hay un retén para moldura de techo a 31.6° (vea Corte de moldura de techo para obtener más información en la página 65).
- El tope-guía deslizante debe estar siempre completamente en su posición a la derecha para proporcionar máximo soporte al hacer cortes a inglete (en caso necesario, ver Ajuste del tope-guía deslizante en la página 55).
- Para lograr graduaciones precisas, use el sobrecontrol del retén para anular el retén. Para ajustar para ángulos de 1/4°, use la escala Vernier junto con el sobrecontrol del retén (vea Escala Vernier para obtener detalles).

Siga estas instrucciones para hacer un corte a inglete:

1. Afloje el pomo de fijación de inglete **1**. Suba el gatillo del retén de inglete y mueva la sierra hasta el ángulo deseado usando los retenes **2** o la escala de ingletes **3**. Apriete el pomo de fijación de inglete (Figura 27).
2. Posicione la pieza de trabajo **4** adecuadamente. Asegúrese de que la pieza de trabajo esté fijada con abrazadera **5** firmemente contra la mesa y el tope-guía.

⚠ ADVERTENCIA Use una posición de fijación con abrazadera que no interfiera con la operación. Antes de encender la sierra, baje el ensamblaje del cabezal para asegurarse de que la abrazadera no toque ni el protector ni el ensamblaje del cabezal.

3. Active el interruptor. Baje el ensamblaje del cabezal y haga el corte.
4. Espere hasta que la hoja se detenga por completo antes de volver a colocar el ensamblaje del cabezal en la posición subida y/o retirar la pieza de trabajo.

Saw Operations

Bevel Cut

- A bevel cut is made at 0° miter and any bevel angle in the range of -2° to 47°.
- There are two (2) factory set bevel stops at 0° and 47°. (See Adjustment section if adjustments are required.)
- The cast in bevel scale faces the operator for easy reading.
- There is a positive crown molding stop at 33.9°. Disengage this stop unless using. (See cutting Crown Molding for details.)
- The bevel lock handle is spring loaded and can be repositioned by pulling handle out, rotating to desired position and engaging by releasing for use in tight spaces.
- Use sliding base/fence as appropriate. (See Sliding Base/Fence Extension page 54.)

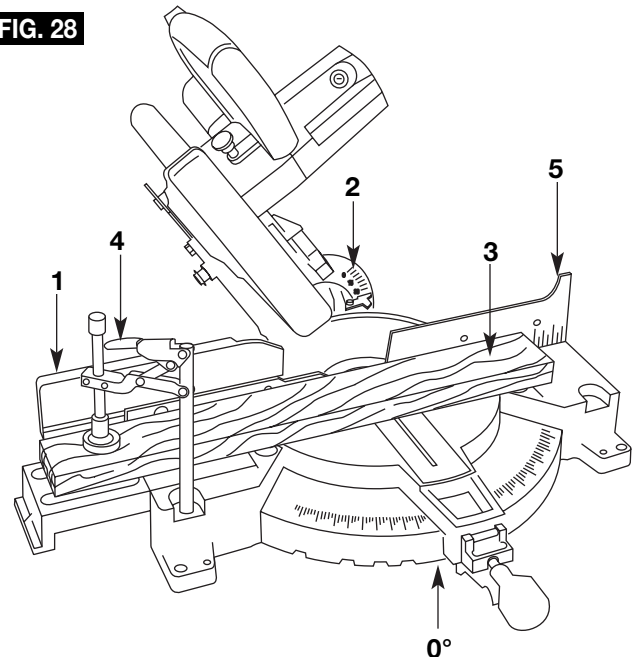
Follow these instructions for making your bevel cut:

1. Move the sliding fence to proper position **1**. (See Sliding Fence on page 54.)
2. Loosen the bevel lock handle. Tilt the head assembly to desired bevel angle **2**. Tighten the bevel lock handle (Figure 28).
3. Properly position workpiece **3**. Make sure work piece is clamped **4** firmly against the table and the fence **5**.

⚠ WARNING Use clamping position that does not interfere with operation. Before switching on, lower head assembly to make sure clamp clears guard and head assembly.

4. Activate the switch. Lower the head assembly and make your cut.
5. Wait until blade comes to a complete stop before returning head assembly to the raised position and/or removing workpiece.

FIG. 28



Opérations de la scie

Coupe en biseau

- Une coupe en biseau est pratiquée à onglet de 0° et à tout angle de biseau variant entre -2 et 47°.
- Il existe bon nombre de butées de biseau réglées en usine à 0° et 45°. (Voir section Réglage si des ajustements sont nécessaires.)
- L'échelle graduée de biseau moulée est dirigée vers l'opérateur pour faciliter la lecture.
- Il existe une butée positive de moulures en couronne à 33,9°. Relâchez cette butée à moins que vous ne l'utilisiez. (Voir Coupe de moulures en couronne pour de plus amples informations.)
- La poignée de blocage de biseau est à ressort et on peut la repositionner en tirant la poignée vers l'extérieur, en tournant à la position désirée et en engageant en relâchant pour usage dans des espaces restreints.
- Utilisez la base/guide à glissière, le cas échéant. (Voir Rallonge de base/guide à glissière, page 55).

Suivez ces instructions pour pratiquer votre coupe en biseau :

1. Déplacez le guide à glissière à la position appropriée **1**. (Voir Guide à glissière à la page 55.)
2. Desserrez la poignée de blocage de biseau. Inclinez la tête à l'angle de biseau désiré **2**. Serrez la poignée de blocage de biseau (Figure 28).
3. Positionnez l'ouvrage adéquatement **3**. Assurez-vous que l'ouvrage est cramponné **4** fermement contre la table et le guide **5**.

⚠ AVERTISSEMENT Utilisez une position de cramponnage qui ne gêne pas le fonctionnement. Avant de mettre en marche, abaissez la tête pour vous assurer d'un écartement suffisant entre le serre-joint, d'une part, et le protecteur et la tête, d'autre part.

4. Actionnez l'interrupteur. Abaissez la tête et pratiquez votre coupe.
5. Attendez que la lame s'immobilise complètement avant de remettre la tête à la position levée et/ou de retirer l'ouvrage.

Operaciones de la sierra

Corte en bisel

- Un corte en bisel se hace a un inglete de 0° y cualquier ángulo de bisel en el intervalo de -2° a 47°.
- Hay muchos topes de bisel ajustados en fábrica a 0° y 45°. (Vea la sección Ajuste si es necesario realizar ajustes.)
- La escala de biseles fundida está orientada hacia el operador para poder leerla fácilmente.
- Hay un tope positivo para moldura de techo a 33.9°. Desacople este tope a menos que lo esté usando. (Vea Corte de moldura de techo para obtener detalles.)
- El mango de fijación de bisel está accionado por resorte y puede repositionarse tirando del mango hacia afuera, girándolo hasta la posición deseada y acoplándolo al soltarlo para uso en espacios reducidos.
- Use la base/tope-guía deslizante según sea adecuado. (Vea Extensión de la base/tope-guía deslizante en la página 55.)

Siga estas instrucciones para hacer un corte en bisel:

1. Mueva el tope-guía deslizante a la posición apropiada **1**. (Ver Tope-guía deslizante en la página 55.)
2. Afloje el mango de fijación de bisel. Incline el ensamblaje del cabezal hasta el ángulo de bisel deseado **2**. Apriete el mango de fijación de bisel (Figura 28).
3. Posicione adecuadamente la pieza de trabajo **3**. Asegúrese de que la pieza de trabajo esté fijada con abrazadera **4** firmemente contra la mesa y el tope-guía **5**.

⚠ ADVERTENCIA Use una posición de fijación con abrazadera que no interfiera con la operación. Antes de encender la sierra, baje el ensamblaje del cabezal para asegurarse de que la abrazadera no toque ni el protector ni el ensamblaje del cabezal.

4. Active el interruptor. Baje el ensamblaje del cabezal y haga el corte.
5. Espere hasta que la hoja se detenga por completo antes de volver a colocar el ensamblaje del cabezal en la posición subida y/o retirar la pieza de trabajo.

Saw Operations

Compound Cuts

- A compound cut is a cut requiring both a miter setting and a bevel setting.
- Because it may take several tries to obtain the desired compound angle, perform test cuts on scrap material before making your cut.

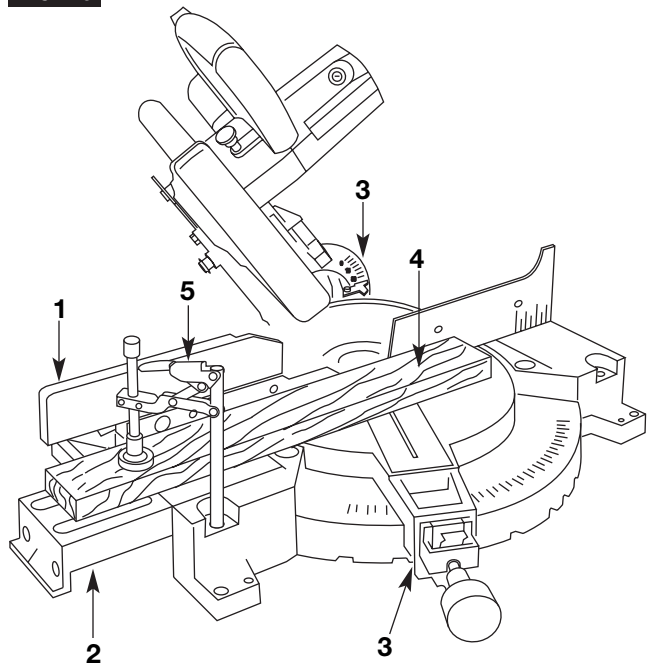
Follow these instructions for making your compound cut:

1. Move sliding fence to proper position **1** (see Sliding Fence on page 54).
2. Extend the sliding base **2** (see Sliding Base Extension on page 54). Select the desired miter and bevel angles **3** (Figure 29). (See Miter Cut and Bevel Cut on pages 56 and 58.)
3. Properly position workpiece **4**. Make sure workpiece is clamped **5** firmly against the table and the fence.
4. Make sure all controls are locked before cutting.

⚠ WARNING Use clamping position that does not interfere with operation. Before switching on, lower head assembly to make sure clamp clears guard and head assembly.

4. Activate the switch. Lower the head assembly and make your cut.
5. Wait until blade comes to a complete stop before returning head assembly to the raised position and/or removing workpiece.

FIG. 29



Opérations de la scie

Coupes composées

- Une coupe composée est une coupe nécessitant un réglage d'onglet aussi bien qu'un réglage de biseau.
- Étant donné qu'il faudra peut-être plusieurs essais pour obtenir l'angle composé désiré, effectuez des coupes d'essai sur des matériaux de rebut avant de pratiquer votre coupe.

Suivez ces instructions pour pratiquer votre coupe composée :

1. Déplacez le guide à glissière à la position appropriée **1**. (Voir Guide à glissière à la page 55.)
2. Rallongez la base à glissière **2** (voir Rallonge de base/guide à glissière à la page 55). Sélectionnez les angles désirés d'onglet et de biseau **3** (Figure 29). (Voir Coupe à l'onglet et Coupe en biseau à la page 57.)
3. Positionnez l'ouvrage adéquatement **4**. Assurez-vous que l'ouvrage est cramponné **5** fermement contre la table et le guide.

⚠ AVERTISSEMENT Utilisez une position de cramponnage qui ne gêne pas le fonctionnement. Avant de mettre en marche, abaissez la tête pour vous assurer d'un écartement suffisant entre le serre-joint, d'une part, et le protecteur et la tête, d'autre part.

4. Actionnez l'interrupteur. Abaissez la tête et pratiquez votre coupe.
5. Attendez que la lame s'immobilise complètement avant de remettre la tête à la position levée et/ou de retirer l'ouvrage.

Operaciones de la sierra

Cortes compuestos

- Un corte compuesto es un corte que requiere tanto una posición de inglete como una de bisel.
- Como puede que se necesiten varios intentos para lograr el ángulo compuesto deseado, realice cortes de prueba en material de desecho antes de hacer el corte.

Siga estas instrucciones para hacer un corte compuesto:

1. Mueva el tope-guía deslizante a la posición apropiada **1**. (Ver Tope-guía deslizante en la página 55.)
2. Extienda la base/tope-guía deslizante **2** (vea Extensión de la base/tope-guía deslizante en la página 55). Seleccione los ángulos de inglete y de bisel deseados **3** (Figura 29). (Vea corte a inglete y Corte en bisel en las páginas 57 a 59)
3. Posicione la pieza de trabajo **4** adecuadamente. Asegúrese de que la pieza de trabajo esté fijada con abrazadera **5** firmemente contra la mesa y el tope-guía.

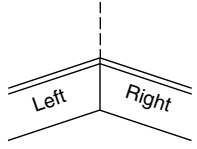
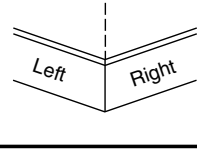
⚠ ADVERTENCIA Use una posición de fijación con abrazadera que no interfiera con la operación. Antes de encender la sierra, baje el ensamblaje del cabezal para asegurarse de que la abrazadera no toque ni el protector ni el ensamblaje del cabezal.

4. Active el interruptor. Baje el ensamblaje del cabezal y haga el corte.
5. Espere hasta que la hoja se detenga por completo antes de volver a colocar el ensamblaje del cabezal en la posición subida y/o retirar la pieza de trabajo.

Saw Operations

Base Molding

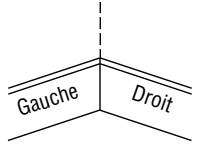
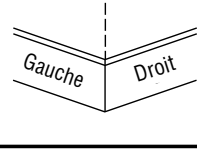
- Base molding can be cut vertical against fence or flat on the table.
- Follow the table for helpful hints on cutting base molding.

BASE MOLDING CUTTING INSTRUCTIONS					
SETTINGS / INSTRUCTIONS		Vertical Position Back of molding is against the fence		Horizontal Position Back of molding is flat on the table	
Sliding Fence		Far Right Position		Move to proper position	
Bevel Angle		0°		45°	
Molding position		Left Side	Right Side	Left Side	Right Side
Inside corner of wall 	Miter Angle	Left at 45°	Right at 45°	0°	0°
	Molding position	Bottom against table	Bottom against table	Top against fence	Bottom against fence
	Finished side	Keep left side of cut	Keep right side of cut	Keep left side of cut	Keep left side of cut
Outside corner of wall 	Miter Angle	Right at 45°	Left at 45°	0°	0°
	Molding position	Bottom against table	Bottom against table	Bottom against fence	Top against fence
	Finished side	Keep left side of cut	Keep right side of cut	Keep right side of cut	Keep right side of cut

Opérations de la scie

Moulures de base

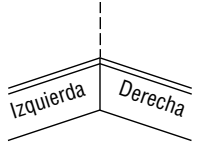
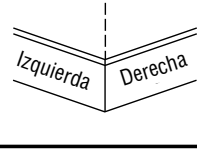
- Les moulures de base peuvent être coupées à la verticale contre le guide ou à plat sur la table.
- Reportez-vous au tableau contenant des conseils utiles sur la coupe de moulures de base.

INSTRUCTIONS DE COUPE DE MOULURES DE BASE					
RÉGLAGES / INSTRUCTIONS		Position vertical L'arrière de la moulure repose contre le guide		Position horizontale L'arrière de la moulure repose à plat sur la table	
<i>Fixation du guide d'onglet</i>		Position extrême droite		Déplacez à la position appropriée.	
<i>Angle de biseau</i>		0°		45°	
<i>Position de moulure</i>		Côté gauche	Côté droit	Côté gauche	Côté droit
Coin intérieur du mur 	Angle d'onglet	Gauche à 45°	Droit à 45°	0°	0°
	<i>Position de moulure</i>	Fond contre la table	Fond contre la table	Dessus contre le guide	Fond contre le guide
	Côté fini	Gardez le côté gauche de la coupe	Gardez le côté droit de la coupe	Gardez le côté gauche de la coupe	Gardez le côté gauche de la coupe
Coin extérieur du mur 	Angle d'onglet	Droit à 45°	Gauche à 45°	0°	0°
	<i>Position de moulure</i>	Fond contre la table	Fond contre la table	Fond contre le guide	Dessus contre le guide
	Côté fini	Gardez le côté gauche de la coupe	Gardez le côté droit de la coupe	Gardez le côté droit de la coupe	Gardez le côté droit de la coupe

Operaciones de la sierra

Moldura de base

- La moldura de base se puede cortar vertical contra el tope-guía u horizontal sobre la mesa.
- Siga el cuadro para obtener consejos útiles sobre el corte de moldura de base.

INSTRUCCIONES PARA EL CORTE DE MOLDURA DE BASE					
POSICIONES / INSTRUCCIONES		Posición vertical La parte posterior de la moldura está contra el tope-guía		Posición horizontal La parte posterior de la moldura está horizontal sobre la mesa	
<i>Aditamento del tope-guía para cortar ingletes</i>		Posición a extrema derecha		Mover a la posición apropiada	
<i>Angulo de bisel</i>		0°		45°	
<i>Posición de la moldura</i>		Lado izquierdo	Lado derecho	Lado izquierdo	Lado derecho
Esquina interior de la pared 	Angulo de inglete	Izquierda a 45°	Derecha a 45°	0°	0°
	<i>Posición de la moldura</i>	Parte inferior contra la mesa	Parte inferior contra la mesa	Parte superior contra el tope-guía	Parte inferior contra el tope-guía
	Lado acabado	Conservar el lado izquierdo del corte	Conservar el lado derecho del corte	Conservar el lado izquierdo del corte	Conservar el lado derecho del corte
Esquina exterior de la pared 	Angulo de inglete	Derecha a 45°	Izquierda a 45°	0°	0°
	<i>Posición de la moldura</i>	Parte inferior contra la mesa	Parte inferior contra la mesa	Parte inferior contra el tope-guía	Parte superior contra el tope-guía
	Lado acabado	Conservar el lado izquierdo del corte	Conservar el lado derecho del corte	Conservar el lado derecho del corte	Conservar el lado derecho del corte

Saw Operations

Cutting Crown Molding

- Crown molding must be cut exactly to fit properly.
- There are two ways to cut crown molding: flat on table or angled to table and fence.
- Your miter saw has special miter detents of 31.6° left and right and a bevel detent of 33.9° for cutting crown molding flat on the table.
- These special detents angles have been designed into your compound miter saw for the standard crown molding used in the United States with the following angles:

52° between the back of the molding and the top flat surface that fits against the wall.

38° between the back of the molding and the bottom flat surface that fits against the wall.

NOTE: These detents cannot be used with 45° crown molding.

- Even though these angles are standards, most rooms do not have angles of exactly 90°, therefore, you will need to fine tune your settings using the detent override and the vernier scale.

Opérations de la scie

Coupe de moulures en couronne

- Les moulures en couronne doivent être coupées exactement pour faire adéquatement.
- Il existe deux façons de couper les moulures en couronne : à plat sur la table ou à angle par rapport à la table et au guide.
- Votre scie à onglet possède des crans d'arrêt d'onglet spéciaux de 31,6° à gauche et à droite, et un cran d'arrêt de biseau de 33,9° pour couper les moulures en couronne à plat sur la table.
- Ces angles de crans d'arrêt spéciaux ont été incorporés dans votre scie à onglet composée pour les moulures en couronne standard utilisées aux États-Unis avec les angles suivants :

52° entre l'arrière de la moulure et la surface plate supérieure qui repose contre le mur.

38° entre l'arrière de la moulure et la surface plate inférieure qui repose contre le mur.

REMARQUE : Ces crans d'arrêt ne peuvent pas être utilisés avec les moulures en couronne de 45°.

- Bien que ces angles soient standard, la plupart des pièces n'ont pas d'angles d'exactly 90° ; vous devrez donc ajuster vos réglages à l'aide du court-circuitage de cran d'arrêt et de l'échelle graduée Vernier.

Operaciones de la sierra

Corte de moldura de techo

- La moldura de techo se debe cortar con precisión para que encaje adecuadamente.
- Hay dos maneras de cortar moldura de techo: horizontal sobre la mesa o en ángulo respecto a la mesa y al tope-guía.
- La sierra para cortar ingletes tiene retenes de inglete especiales de 31.6° a la izquierda y a la derecha y un retén de bisel de 33.9° para cortar moldura de techo en posición horizontal sobre la mesa.
- Estos ángulos de retén especiales han sido diseñados en la sierra para cortar ingletes compuestos para la moldura de techo estándar que se usa en los Estados Unidos con los siguientes ángulos:

52° entre la parte posterior de la moldura y la superficie superior plana que encaja contra la pared.

38° entre la parte posterior de la moldura y la superficie inferior plana que encaja contra la pared.

NOTA: Estos retenes no se pueden usar con moldura de techo de 45°.

- Aunque estos ángulos son estándar, la mayoría de las salas y cuartos no tienen ángulos de exactamente 90°. Por lo tanto, usted tendrá que ajustar con precisión las posiciones usando el sobrecontrol del retén y la escala Vernier.

Saw Operations

Crown Molding Laying Flat on Table

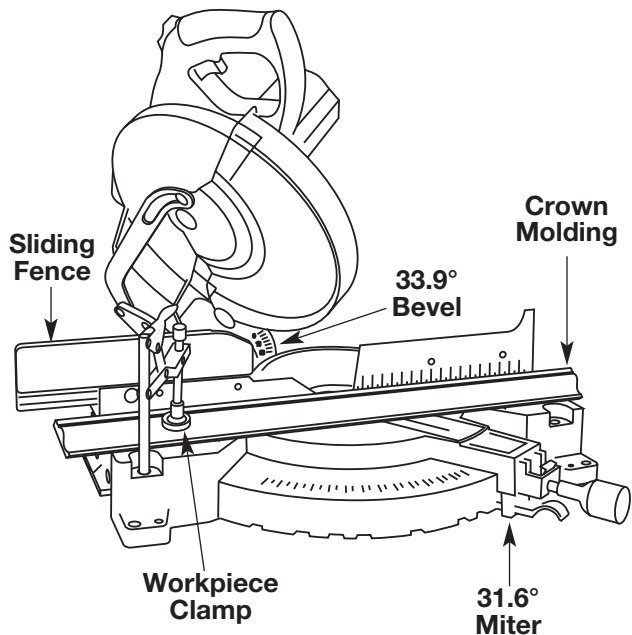
FIG. 30

Follow these instructions for cutting crown molding:

1. Move sliding fence to proper position (see Sliding Fence on page 54).
2. Set the bevel and miter angles using Chart 1 below. Tighten the miter lock knob and the bevel lock handle (Figure 30).
3. Position molding on saw table. Use the chart below for correct position. Clamp workpiece in place using the workpiece clamp.

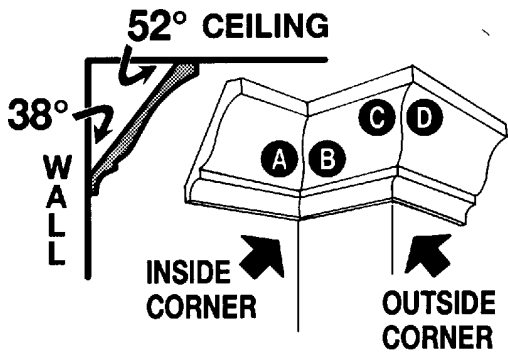
WARNING Use clamping position that does not interfere with operation. Before switching on, lower head assembly to make sure clamp clears guard and head assembly.

4. Activate the switch. Lower the head assembly and make your cut.
5. Wait until blade comes to a complete stop before returning head assembly to the raised position and/or removing workpiece.
6. ALWAYS TAKE A TEST CUT USING SCRAP TO CONFIRM CORRECT ANGLES.

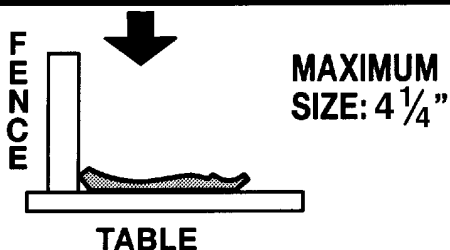


CROWN MOLDING CUTS – MOLDING PLACED FLAT ON TABLE

U.S. STANDARD CROWN MOLDING



MOLDING FLAT ON TABLE



TYPE OF CUT	MITER (TABLE) SETTING	BEVEL (TILT) SETTING
INSIDE CORNER		
LEFT SIDE A	RIGHT 31.6°	33.9°
PLACE TOP EDGE OF MOLDING AGAINST FENCE – SAVE LEFT END OF CUT		
RIGHT SIDE B	LEFT 31.6°	33.9°
PLACE BOTTOM EDGE OF MOLDING AGAINST FENCE – SAVE LEFT END OF CUT		

TYPE OF CUT	MITER (TABLE) SETTING	BEVEL (TILT) SETTING
OUTSIDE CORNER		
LEFT SIDE C	LEFT 31.6°	33.9°
PLACE BOTTOM EDGE OF MOLDING AGAINST FENCE – SAVE RIGHT END OF CUT		
RIGHT SIDE D	RIGHT 31.6°	33.9°
PLACE TOP EDGE OF MOLDING AGAINST FENCE – SAVE RIGHT END OF CUT		

Chart 1: Crown Molding Flat on Table

Opérations de la scie

Mouleurs en couronne reposant à plat sur la table

FIG. 30

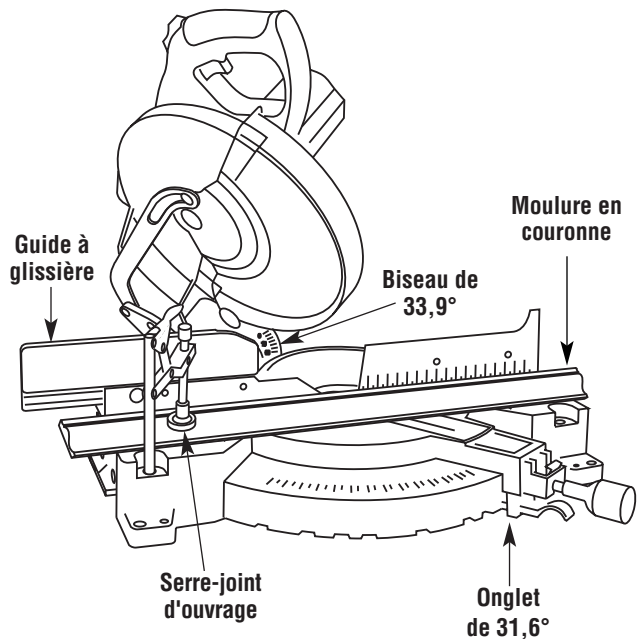
Suivez ces instructions pour couper les mouleurs en couronne :

1. Déplacez le guide à glissière à la position appropriée (voir Guide à glissière à la page 55.)
2. Réglez les angles de biseau et d'onglet à l'aide du Tableau 1 ci-après. Serrez le bouton de blocage d'onglet et la poignée de blocage de biseau (Figure 30).
3. Positionnez la mouleur sur la table. Reportez-vous au tableau ci-après pour connaître la position correcte. Cramponnez l'ouvrage en place à l'aide du serre-joint d'ouvrage.

AVERTISSEMENT Utilisez une position de cramponnage qui ne gêne pas le fonctionnement.

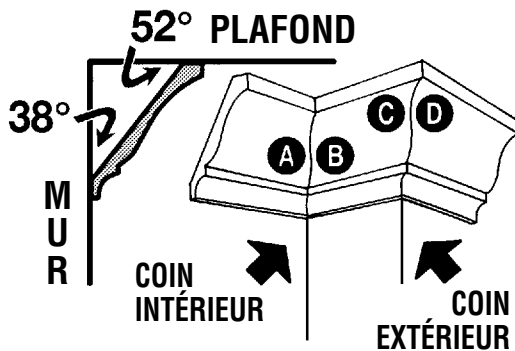
Avant de mettre en marche, abaissez la tête pour vous assurer d'un écartement suffisant entre le serre-joint, d'une part, et le protecteur et la tête, d'autre part.

4. Actionnez l'interrupteur. Abaissez la tête et pratiquez votre coupe.
5. Attendez que la lame s'immobilise complètement avant de remettre la tête à la position levée et/ou de retirer l'ouvrage.
6. PROCÉDEZ TOUJOURS À UNE COUPE D'ESSAI À L'AIDE DE MATÉRIAUX DE REBUT POUR CONFIRMER LES ANGLES CORRECTS.

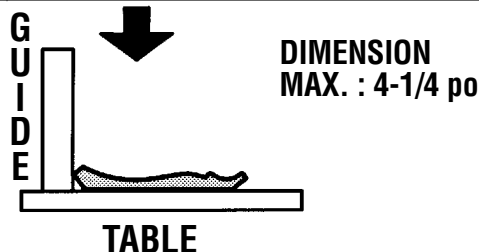


COUPES DE MOULURES EN COURONNE – MOULURE À PLAT SUR LA TABLE

MOULURE EN COURONNE STANDARD U.S.



MOULURE À PLAT SUR LA TABLE



TYPE DE COUPE

RÉGLAGE D'ONGLET (TABLE)

RÉGLAGE DE BISEAU (INCLINAISON)

COIN INTÉRIEUR

CÔTÉ GAUCHE **A** → À DROITE 31.6° → 33.9°
 PLACEZ LE DESSUS DE LA MOULURE CONTRE LE GUIDE – GARDEZ L'EXTRÉMITÉ GAUCHE DE LA COUPE

CÔTÉ DROIT **B** → À GAUCHE 31.6° → 33.9°
 PLACEZ LE BAS DE LA MOULURE CONTRE LE GUIDE – GARDEZ L'EXTRÉMITÉ GAUCHE DE LA COUPE

COIN EXTÉRIEUR

CÔTÉ GAUCHE **C** → À GAUCHE 31.6° → 33.9°
 PLACEZ LE BAS DE LA MOULURE CONTRE LE GUIDE – GARDEZ L'EXTRÉMITÉ DROITE DE LA COUPE

CÔTÉ DROIT **D** → À DROITE 31.6° → 33.9°
 PLACEZ LE DESSUS DE LA MOULURE CONTRE LE GUIDE – GARDEZ L'EXTRÉMITÉ DROITE DE LA COUPE

Tableau 1 : Moulure en couronne à plat sur la table

Operaciones de la sierra

Moldura de techo colocada horizontalmente sobre la mesa

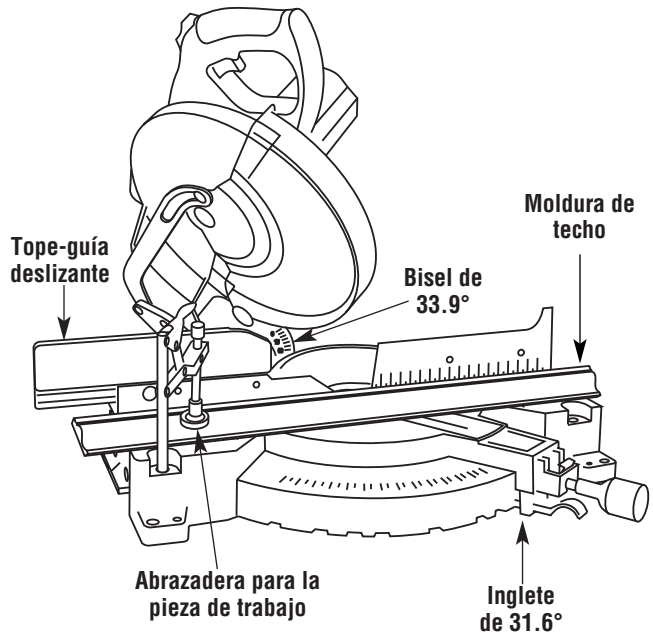
FIG. 30

Siga estas instrucciones para cortar moldura de techo:

1. Mueva el tope-guía deslizante a la posición apropiada 1 (Ver Tope-guía deslizante en la página 55.)
2. Ajuste los ángulos de bisel y de inglete usando el Cuadro 1 que aparece más abajo. Apriete el pomo de fijación de inglete y el mango de fijación de bisel (Figura 30).
3. Posicione la moldura sobre la mesa de la sierra. Use el cuadro que aparece más abajo para obtener la posición correcta. Fije la pieza de trabajo en su sitio usando la abrazadera para la pieza de trabajo.

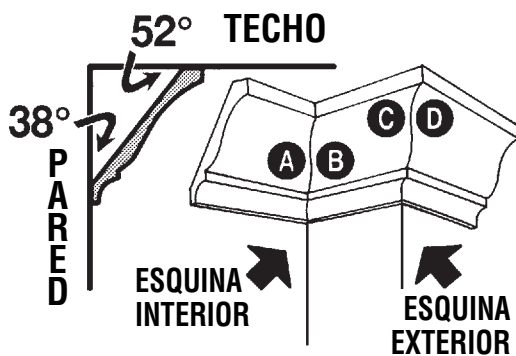
ADVERTENCIA Use una posición de fijación con abrazadera que no interfiera con la operación. Antes de encender la sierra, baje el ensamblaje del cabezal para asegurarse de que la abrazadera no toque ni el protector ni el ensamblaje del cabezal.

4. Active el interruptor. Baje el ensamblaje del cabezal y haga el corte.
5. Espere hasta que la hoja se detenga por completo antes de volver a colocar el ensamblaje del cabezal en la posición subida y/o retirar la pieza de trabajo.
6. HAGA SIEMPRE UN CORTE DE PRUEBA USANDO MADERA DE DESECHO PARA CONFIRMAR QUE LOS ANGULOS SON CORRECTOS.

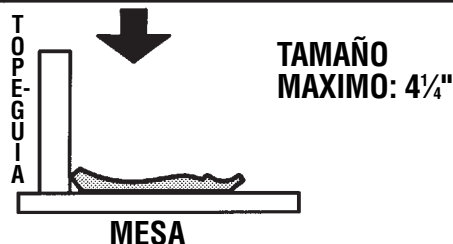


CORTES DE MOLDURA DE TECHO – MOLDURA HORIZONTAL SOBRE LA MESA

MOLDURA DE TECHO ESTANDAR EN LOS EE.UU.



MOLDURA HORIZONTAL SOBRE LA MESA



TIPO DE CORTE	POSICION DE INGLETE (MESA)	POSICION DE BISEL (INCLINACION)
ESQUINA INTERIOR		
LADO IZQUIERDO A	DERECHA 31.6°	33.9°
COLOQUE LA PARTE SUPERIOR DE LA MOLDURA CONTRA EL TOPE-GUIA – CONSERVE EL EXTREMO IZQUIERDO DEL CORTE		
LADO DERECHO B	IZQUIERDA 31.6°	33.9°
COLOQUE LA PARTE INFERIOR DE LA MOLDURA CONTRA EL TOPE-GUIA – CONSERVE EL EXTREMO IZQUIERDO DEL CORTE		
ESQUINA EXTERIOR		
LADO IZQUIERDO C	IZQUIERDA 31.6°	33.9°
COLOQUE LA PARTE INFERIOR DE LA MOLDURA CONTRA EL TOPE-GUIA – CONSERVE EL EXTREMO DERECHO DEL CORTE		
LADO DERECHO D	DERECHA 31.6°	33.9°
COLOQUE LA PARTE SUPERIOR DE LA MOLDURA CONTRA EL TOPE-GUIA – CONSERVE EL EXTREMO DERECHO DEL CORTE		

Cuadro 1: Moldura de techo horizontal sobre la mesa

Saw Operations

Crown Molding Angled to Table and Fence

- The advantage to cutting in this position is that no bevel setting is required. Cutting is done with 45° miter angle.
- Crown molding of up to 4-1/4" maximum width can be cut on your saw.

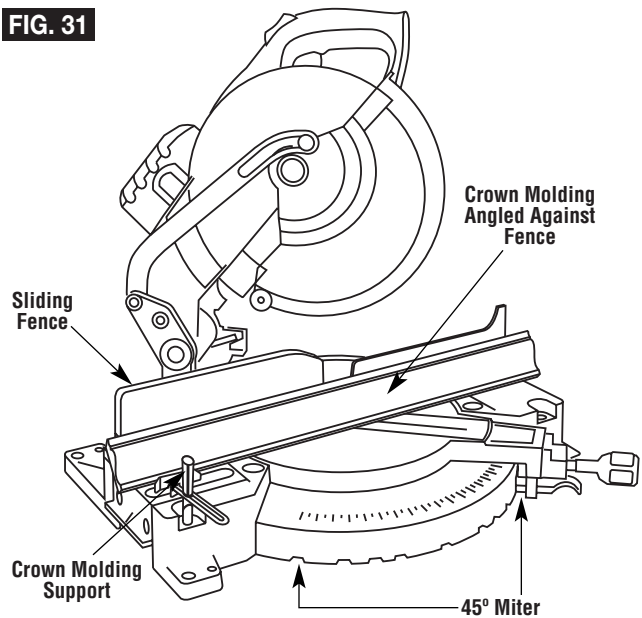
Follow these instructions for cutting crown molding angled to table and fence.

1. Position the molding so the bottom (part which is installed against the wall) is against the fence. Make sure the sliding fence is in place to provide maximum support (see Sliding Fence for instructions).

NOTE: Crown Molding Support (accessory BB1203) assists in holding crown molding in place during the cutting operation. Refer to the accessory instruction sheet for details. See page 76 for a complete accessory list.

2. Set the miter angle using the chart below. Tighten the miter lock knob (Figure 31).
3. Activate the switch. Lower the head assembly and make your cut.

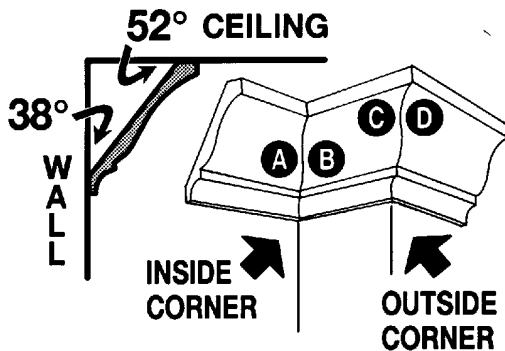
FIG. 31



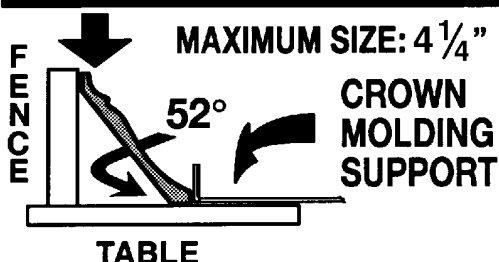
4. Wait until blade comes to a complete stop before returning head assembly to the raised position and/or removing workpiece.
5. ALWAYS TAKE A TEST CUT USING SCRAP TO CONFIRM CORRECT ANGLES.

CROWN MOLDING CUTS – ANGLED TO TABLE AND FENCE

U.S. STANDARD CROWN MOLDING



BOTTOM EDGE OF MOLDING



ALL CUTS – PLACE BOTTOM EDGE AGAINST FENCE

TYPE OF CUT	MITER (TABLE) SETTING	BEVEL (TILT) SETTING
INSIDE CORNER		
LEFT SIDE A → SAVE RIGHT END OF CUT	45°	0°
RIGHT SIDE B → SAVE LEFT END OF CUT	45°	0°
OUTSIDE CORNER		
LEFT SIDE C → SAVE RIGHT END OF CUT	45°	0°
RIGHT SIDE D → SAVE LEFT END OF CUT	45°	0°

Chart 2: Crown Molding Angled to Table and Fence

Opérations de la scie

Moulure en couronne à angle par rapport à la table et au guide

- La coupe en cette position est avantageuse parce qu'aucun réglage de biseau n'est nécessaire. La coupe est pratiquée avec un angle d'onglet de 45°.
- Une moulure en couronne d'une largeur allant jusqu'à 4-1/4 po peut être coupée sur votre scie.

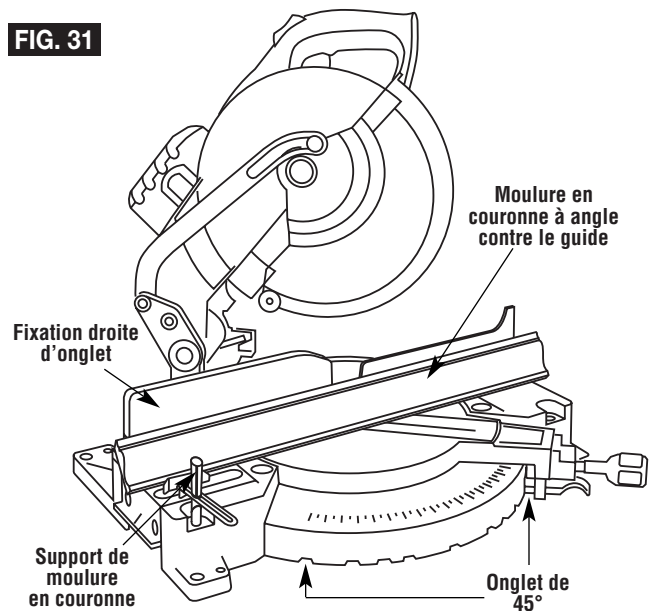
Suivez ces instructions pour couper les moulures en couronne à angle par rapport à la table et au guide :

1. Positionnez la moulure de manière à ce que le bas (partie posée contre le mur) repose contre le guide. Assurez-vous que la fixation droite d'onglet est en place pour assurer un support maximum (voir instructions dans la section Fixation droite d'onglet).

REMARQUE : Le support de moulures en couronne (accessoire No. BB1203) aide à tenir la moulure en couronne en place durant la coupe. Pour plus de détails, reportez-vous à la feuille d'instructions sur les accessoires. Voir la liste complète des accessoires à la page 76.

2. Réglez l'angle d'onglet en vous reportant au tableau ci-après. Serrez le bouton de blocage d'onglet (Figure 31).

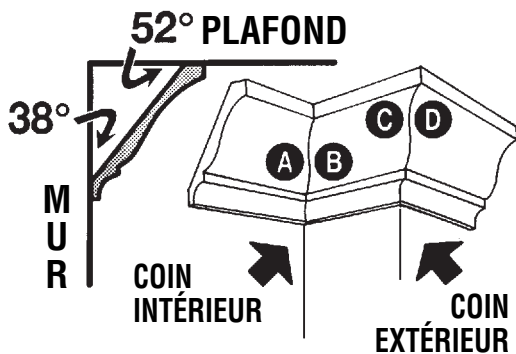
FIG. 31



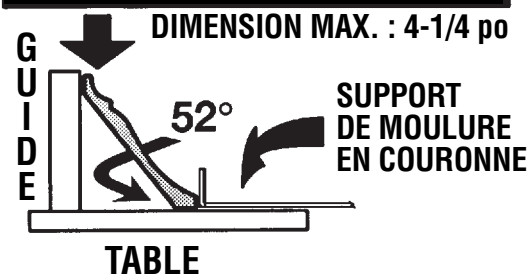
3. Actionnez l'interrupteur. Abaissez la tête et pratiquez votre coupe.
4. Attendez que la lame s'immobilise complètement avant de remettre la tête à la position levée et/ou de retirer l'ouvrage.
5. PROCÉDEZ TOUJOURS À UNE COUPE D'ESSAI À L'AIDE DE MATÉRIAUX DE REBUT POUR CONFIRMER LES ANGLES CORRECTS.

COUPES DE MOULURES EN COURONNE – À ANGLE PAR RAPPORT À LA TABLE ET AU GUIDE

MOULURE EN COURONNE STANDARD U.S.



BAS DE LA MOULURE



TOUTES COUPES – PLACEZ LE BORD INFÉRIEUR CONTRE LE GUIDE

TYPE DE COUPE	RÉGLAGE D'ONGLET (TABLE)	RÉGLAGE DE BISEAU (INCLINAISON)
---------------	--------------------------	---------------------------------

COIN INTÉRIEUR

CÔTÉ GAUCHE (A) → À DROITE 45° → 0°
GARDEZ L'EXTRÉMITÉ DROITE DE LA COUPE

CÔTÉ DROIT (B) → À GAUCHE 45° → 0°
GARDEZ L'EXTRÉMITÉ GAUCHE DE LA COUPE

COIN EXTÉRIEUR

CÔTÉ GAUCHE (C) → À GAUCHE 45° → 0°
GARDEZ L'EXTRÉMITÉ DROITE DE LA COUPE

CÔTÉ DROIT (D) → À DROITE 45° → 0°
GARDEZ L'EXTRÉMITÉ GAUCHE DE LA COUPE

Tableau 2 : Moulure en couronne à angle par rapport à la table et au guide

Operaciones de la sierra

Moldura de techo en ángulo respecto a la mesa y al tope-guía

- La ventaja de cortar en esta posición es que no se requiere ajuste de bisel. El corte se hace con el ángulo de inglete de 45°.
- Con la sierra se puede cortar moldura de techo de hasta una anchura máxima de 4-1/4".

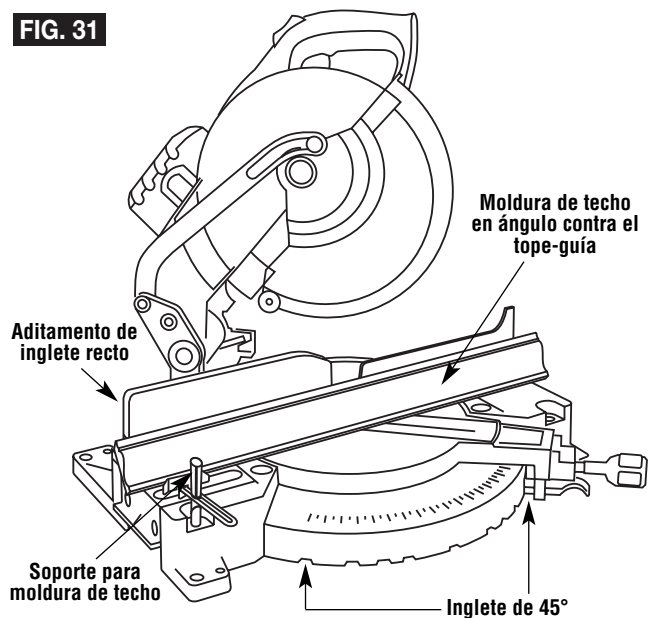
Siga estas instrucciones para cortar moldura de techo en ángulo respecto a la mesa y al tope-guía.

1. Posicione la moldura de modo que la parte inferior (la parte que se instala contra la pared) esté contra el tope-guía. Asegúrese de que el aditamento de inglete recto esté colocado en su sitio para proporcionar máximo soporte (vea Aditamento de inglete recto para obtener instrucciones).

NOTA: El soporte para moldura de techo (accesorio NO. BB1203) ayuda a sujetar la moldura de techo en su sitio durante la operación de corte. Consulte la hoja de instrucciones del accesorio para obtener detalles. Vea la página 76 para obtener una lista completa de accesorios.

2. Ajuste el ángulo de inglete usando el cuadro que aparece más abajo. Apriete el mango de fijación de inglete (Figura 31).
3. Active el interruptor. Baje el ensamblaje del cabezal y haga el corte.

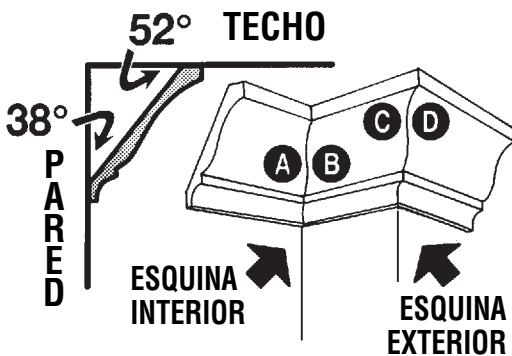
FIG. 31



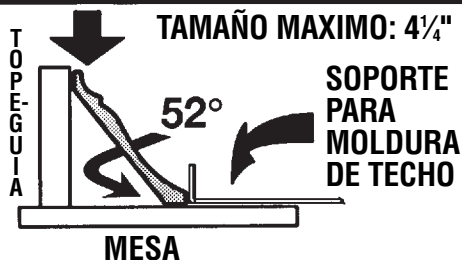
4. Espere hasta que la hoja se detenga por completo antes de volver a colocar el ensamblaje del cabezal en la posición subida y/o retirar la pieza de trabajo.
5. HAGA SIEMPRE UN CORTE DE PRUEBA USANDO MADERA DE DESECHO PARA CONFIRMAR QUE LOS ANGULOS SON CORRECTOS.

CORTES DE MOLDURA DE TECHO – EN ANGULO RESPECTO A LA MESA Y AL TOPE-GUIA

MOLDURA DE TECHO ESTANDAR EN LOS EE.UU.



PARTE INFERIOR DE LA MOLDURA



TODO CORTE – COLOQUE LA PARTE INFERIOR CONTRA EL TOPE-GUIA

TIPO DE CORTE	POSICION DE INGLETE (MESA)	POSICION DE BISSEL (INCLINACION)
---------------	----------------------------	----------------------------------

ESQUINA INTERIOR

LADO IZQUIERDO **A** → DERECHA **45°** → **0°**
 CONSERVE EL EXTREMO DERECHO DEL CORTE

LADO DERECHO **B** → IZQUIERDA **45°** → **0°**
 CONSERVE EL EXTREMO IZQUIERDA DEL CORTE

ESQUINA EXTERIOR

LADO IZQUIERDO **C** → IZQUIERDA **45°** → **0°**
 CONSERVE EL EXTREMO DERECHO DEL CORTE

LADO DERECHO **D** → DERECHA **45°** → **0°**
 CONSERVE EL EXTREMO IZQUIERDA DEL CORTE

Cuadro 2: Moldura de techo en ángulo respecto a la mesa y al tope-guía

Saw Operations

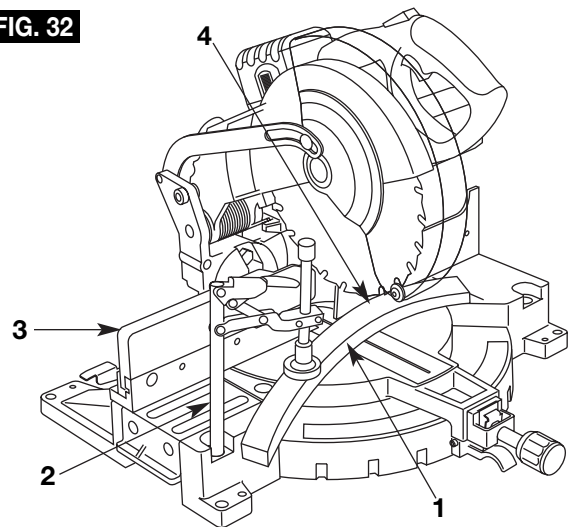
Special Cuts

Cutting bowed material and round material are only examples of special cuts.

Cutting Bowed Material

⚠ WARNING If workpiece **1** is bowed or warped, clamp it **2** with the outside bowed face toward the fence **3**. Always make certain that there is no gap between the workpiece, fence and table along the line of cut **4**. Bent or warped workpieces can twist or rock and may cause binding on the spinning saw blade while cutting (Figure 32).

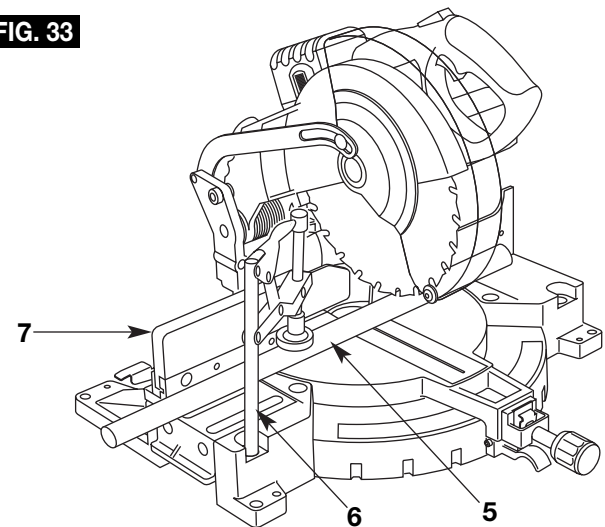
FIG. 32



Cutting Round or Irregularly Shaped Material

⚠ WARNING For round material **5** such as dowel rods or tubing, always use a clamp **6** or a fixture designed to clamp the workpiece firmly against the fence **7** and table. Rods have a tendency to roll while being cut, causing the blade to “bite” and pull the work with your hand into the blade (Figure 33).

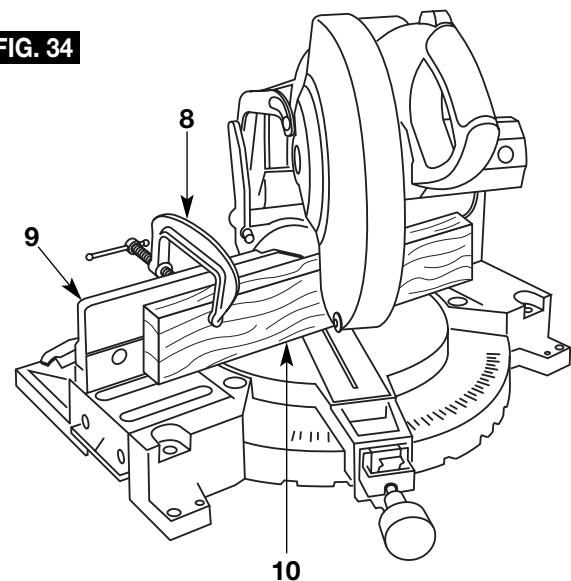
FIG. 33



Cutting thin wide Material

If workpiece **10** is thin and wide and it need to be cut in a vertical position, clamp the workpiece against fence **9** with a “C” clamp **8** as shown in (Figure 34).

FIG. 34



Opérations de la scie

Coupes spéciales

La coupe de matériaux courbés et de matériaux ronds ne constitue qu'un exemple de coupes spéciales.

Coupe de matériaux courbés

⚠ AVERTISSEMENT Si l'ouvrage **1** est courbé ou gondolé, crampez-le **2** avec la face courbée extérieure dirigée vers le guide **3**. Assurez-vous toujours de l'absence d'un écartement entre l'ouvrage, le guide et la table le long de la ligne de coupe **4**. Les ouvrages pliés ou gondolés peuvent se tordre ou culbuter, et peuvent faire gripper la lame de scie en rotation durant la coupe (Figure 32).

Coupe de matériaux ronds ou de forme irrégulière

⚠ AVERTISSEMENT Pour les matériaux ronds **5** tels que les goujons ou les tubes, utilisez toujours un serre-joint **6** ou un dispositif conçu de manière à cramponner l'ouvrage fermement contre le guide **7** et la table. Les goujons ont tendance à rouler pendant qu'on les coupe, ce qui amène la lame à « mordre » et tire l'ouvrage et votre main dans la lame (Figure 33).

Coupe de matériaux fins et larges

Si l'ouvrage **10** est fin et large et doit être coupé en position verticale, crampez-le contre le guide **9** avec un serre-joint "C" selon l'illustration de la Figure 34.

Operaciones de la sierra

Cortes especiales

Los cortes de material arqueado y de material redondo son solamente ejemplos de cortes especiales.

Corte de material arqueado

⚠ ADVERTENCIA Si la pieza de trabajo **1** está arqueada o combada, fíjela con abrazadera **2** con la cara exterior arqueada orientada hacia el tope-guía **3**. Asegúrese siempre de que no haya espacio libre entre la pieza de trabajo, el tope-guía y la mesa a lo largo de la línea de corte **4**. Las piezas de trabajo dobladas o combadas pueden torcerse u oscilar y pueden causar atasco en la hoja de sierra que gira durante el corte (Figura 32).

Corte de material redondo o que tenga forma irregular

⚠ ADVERTENCIA Para material redondo **5**, tal como varillas con espiga o tubos, use siempre una abrazadera **6** o un dispositivo de sujeción diseñado para fijar la pieza de trabajo firmemente contra el tope-guía **7** y la mesa. Las varillas tienen tendencia a rodar mientras son cortadas, haciendo que la hoja "muerda" y tire de la pieza de trabajo con la mano del operador hacia la hoja (Figura 33).

Corte de material ancho y delgado

Si la pieza de trabajo **10** es delgada y ancha, y es necesario cortarla en posición vertical, sujete dicha pieza de trabajo contra el tope-guía **9** con una abrazadera en "C" **8** de la manera que se muestra en la Figura 34.

Charging Battery Pack (1 Hour Charger)

FIG. 35

Plug charger cord into your standard power outlet. Before inserting battery pack **1**, remove protective cap **2**, then insert battery pack **1** into charger **3**. The charger's green indicator **4** will begin to "BLINK". This indicates that the battery is receiving a fast charge. Fast-charging will automatically stop when the battery pack is fully charged.

When the indicator light stops "BLINKING" (and becomes a steady green light) fast charging is complete.

When you begin the charging process of the battery pack, a steady green light could also mean the battery pack is too hot or too cold.

The purpose of the light is to indicate that the battery pack is fast-charging. It does not indicate the exact point of full charge. The light will stop blinking in less time if the battery pack was not completely discharged.

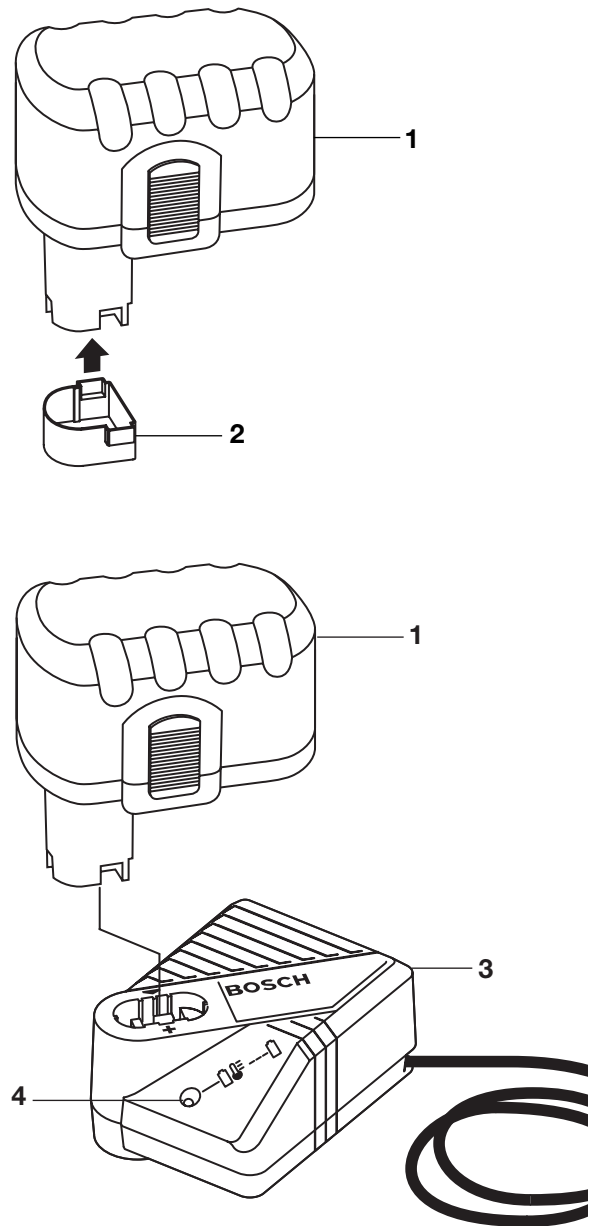
When the battery pack is fully charged, unplug the charger (unless you're charging another battery pack) and slip the battery pack back into the tool handle (Fig. 35).

To prevent fire or injury when batteries are not in tool or charger, always place protective cap onto end of battery pack.

Important Charging Notes

1. The battery pack accepts only about 80% of its maximum capacity with its first few charge cycles. However, after the first few charge cycles, the battery will charge to full capacity.
2. The charger was designed to fast charge the battery only when the battery temperature is between 40°F (4°C) and 105°F (41°C).
3. A substantial drop in operating time per charge may mean that the battery pack is nearing the end of its life and should be replaced.
4. If you anticipate long periods (i.e. a month or more) of non-use of your tool, it is best to run your tool down until it is fully discharged before storing your battery pack. After a long period of storage, the capacity at first recharge will be lower. Normal capacity will be restored in two or three charge/discharge cycles. Remember to unplug charger during storage period.
5. If battery does not charge properly:
 - a. Check for voltage at outlet by plugging in some other electrical device.
 - b. Check to see if outlet is connected to a light switch which turns power "off" when lights are turned off.
 - c. Check battery pack terminals for dirt. Clean with cotton swab and alcohol if necessary.
 - d. If you still do not get proper charging, take or send tool, battery pack and charger to your local Bosch Service Center. See "Tools, Electric" in the Yellow Pages for names and addresses.

Note: Use of chargers or battery packs not sold by Bosch may void the warranty.



Charge du bloc-pile (Chargeur de 1heure)

Branchez le cordon du chargeur dans votre prise de courant standard. Avant d'introduire le bloc-piles **1**, retirez le capuchon de protection **2** et introduisez le bloc-piles **1** dans le chargeur **3**. Le témoin vert **4** du chargeur commencera à CLIGNOTER, ce qui indique que la pile reçoit une charge rapide. La charge rapide s'arrêtera automatiquement lorsque le bloc-pile est à pleine charge.

Le témoin CESSE DE CLIGNOTER (et s'allume en vert continu) au terme de la charge rapide.

Lorsque vous commencez le processus de charge du bloc-pile, un témoin vert continu pourrait également signifier que le bloc-pile est trop chaud ou trop froid.

Le témoin a pour but d'indiquer que le bloc-pile est en charge rapide. Il n'indique pas le point exact de pleine charge. Le témoin cessera de clignoter en moins de temps si le bloc-pile n'était pas entièrement déchargé.

Lorsque le bloc-pile est entièrement chargé, débranchez le chargeur (à moins que vous ne chargiez un autre bloc-pile) et réinsérez le bloc-pile dans la poignée de l'outil (fig. 35).

Afin d'éviter tout risque d'incendie ou de blessure lorsque les piles ne sont pas dans l'outil ou dans le chargeur, placez toujours un capuchon de sécurité sur l'extrémité du bloc-piles. Le capuchon de protection protège contre les courts circuits aux bornes.

Remarques importantes concernant la charge

1. Lors des premiers cycles de charge, le bloc-piles neuf n'absorbe que 80 % de sa capacité maximale. Par la suite, cependant, les piles se chargeront à pleine capacité.
2. De même, le chargeur n'est destiné qu'à la charge rapide des bloc-piles dont la température se situe entre 4°C (40°F) et 41°C (105°F).
3. Une diminution marquée de la réserve énergétique entre les charges peut signaler l'épuisement du bloc-piles et le besoin d'un remplacement.
4. Si vous prévoyez de longues périodes (à savoir, un mois ou plus) de non-utilisation de votre outil, il est préférable d'utiliser votre outil jusqu'à ce que sa pile soit entièrement déchargée avant de remettre votre bloc-pile. Après une longue période de remisage, la capacité sera réduite à la première recharge. La capacité normale sera rétablie en deux ou trois cycles de charge/décharge. N'oubliez pas de débrancher le chargeur durant la période de remisage.
5. Si le bloc-piles ne se charge pas normale-ment :
 - a. Vérifiez la présence de courant à la prise en y branchant un autre appareil électrique.
 - b. Vérifiez si la prise n'est pas raccordée conjointement à un interrupteur qui servirait à éteindre les lumières.
 - c. Vérifiez la propreté des bornes du bloc-piles. Nettoyez-les au besoin avec un bâtonnet imbibé d'alcool.
 - d. Si vous n'arrivez toujours pas à obtenir la charge satisfaisante, confiez l'outil, le bloc-piles et le chargeur à votre centre d'entretien Bosch habituel. Voir les noms et adresses des centres d'entretien sous la rubrique « Outils électriques » dans les pages jaunes de l'annuaire de téléphone.

Remarque : L'usage de chargeurs ou de blocs-piles autres que ceux vendus par Bosch peut annuler la garantie.

Carga del paquete de baterias (cargador de 1 hora)

Enchufe el cordón del cargador en un tomacorriente eléctrico estándar. Antes de introducir el paquete de baterías **1**, quite la tapa protectora **2** y luego introduzca el paquete de baterías **1** en el cargador **3**. El indicador verde **4** del cargador comenzará a "PARPADEAR". Esto indica que la batería está recibiendo una carga rápida. La carga rápida se detendrá automáticamente cuando el paquete de baterías esté completamente cargado.

Cuando la luz indicadora deje de "PARPADEAR" (y pase a ser una luz verde constante), la carga rápida se habrá completado.

Cuando comience el proceso de carga del paquete de baterías, una luz verde constante también podría significar que el paquete de baterías está demasiado caliente o demasiado frío.

El propósito de la luz es indicar que el paquete de baterías se está cargando rápidamente. No indica el punto exacto de carga completa. La luz dejará de parpadear en menos tiempo hora si el paquete de baterías no estaba completamente descargado.

Cuando el paquete de baterías esté completamente cargado, desenchufe el cargador (a menos que vaya a cargar otro paquete de baterías) y deslice el paquete de baterías de vuelta en el interior del mango de la herramienta (Fig. 35).

Para evitar incendios o lesiones cuando las baterías no estén en la herramienta o en el cargador, ponga siempre la tapa protectora en el extremo del paquete de baterías. La tapa protectora protege contra el cortocircuitado de los terminales.

Notas importantes para cargar

1. El paquete de baterías acepta únicamente alrededor del 80 por ciento de su capacidad máxima en los primeros ciclos de carga. Sin embargo, después de los primeros ciclos de carga, la batería se cargará hasta su capacidad máxima.
2. El cargador fue diseñado para cargar la batería rápidamente sólo cuando la temperatura de la batería está entre 4°C (40°F) y 41°C (105°F).
3. Un descenso considerable en el tiempo de funcionamiento por carga puede significar que el paquete de baterías se está acercando al final de su vida y que debe ser sustituido.
4. Si espera que haya largos períodos (es decir, un mes o más) en los que no se use la herramienta, lo mejor es hacerla funcionar hasta que esté completamente descargada antes de guardar el paquete de baterías. Después de un largo período de almacenamiento, la capacidad después de la primera recarga será más baja. La capacidad normal se restaurará en dos o tres ciclos de carga/descarga. Recuerde desenchufar el cargador durante el período de almacenamiento.
5. Si la batería no carga adecuadamente:
 - a. Compruebe que hay tensión en el tomacorriente enchufando algún otro dispositivo eléctrico.
 - b. Compruebe si el tomacorriente está conectado a un interruptor de luz que corta el suministro de energía cuando se apagan las luces.
 - c. Compruebe si hay suciedad en las terminales del paquete de baterías. Límpielas con un pedazo de algodón y alcohol si es necesario.
 - d. Si usted sigue sin obtener una carga adecuada, lleve o envíe la herramienta, el paquete de baterías y el cargador al Centro de servicio Bosch local. Busque bajo "Herramientas eléctricas" en las páginas amarillas para obtener nombres y direcciones.

Nota: La utilización de cargadores o paquetes de baterías no vendidos por Bosch puede invalidar la garantía.

Extension Cords

⚠ WARNING If an extension cord is necessary, a cord with adequate size conductors that is capable of carrying the current necessary for your tool must be used. This will prevent excessive voltage drop, loss of power or overheating. Grounded tools must use 3-wire extension cords that have 3-prong plugs and receptacles.

NOTE: The smaller the gauge number, the heavier the cord.

RECOMMENDED SIZES OF EXTENSION CORDS 120 VOLT ALTERNATING CURRENT TOOLS

Tool's Ampere Rating	Cord Size in A.W.G.				Wire Sizes in mm ²			
	Cord Length in Feet				Cord Length in Meters			
	25	50	100	150	15	30	60	120
3-6	18	16	16	14	.75	.75	1.5	2.5
6-8	18	16	14	12	.75	1.0	2.5	4.0
8-10	18	16	14	12	.75	1.0	2.5	4.0
10-12	16	16	14	12	1.0	2.5	4.0	NA
12-16	14	12	NA	NA	NA	NA	NA	NA

NA = Not Recommended

Accessories

Various 10" Carbide Tipped Blades

A range of blades of various materials, tooth configurations, rakes are offered to provide the correct blade for various applications.

24 Tooth ATB, Ultra Thin Kerf - 5/8" Arbor

40 Tooth ATB, Ultra Thin Kerf - 5/8" Arbor

60 Tooth ATB, Ultra Thin Kerf - 5/8" Arbor

Table Insert (BB1207)

Additional kerf insert.

Extension and Stock Stop (BB1204)

This attachment allows extra support for the longer work pieces cut in the shop.

Crown Molding Support (BB1203)

Clamp that assists in holding crown molding in place during the cutting operation.

Dust Collection Bag (BB1208)

Attaches to the dust port and collects dust to help keep work area clean.

Quick Action Clamp (BB1206)

Provides fast clamping of workpiece.

Dust Elbow (BB1209)

Attaches to the dust port and allows directional control of sawdust, and also enables you to attach a 2 1/2" shop vacuum hose.

Tote Bag (BB1210)

Water resistant bag to transport and protect your tool.

1-Hour Charger (BC004)

Charges 9.6 volts to 24 volts.

1-Hour Automotive Charger (BC006)

Charges 9.6 volts to 24 volts.

15-Minute Charger (BC016)

Charges 7.2 volts to 24 volts.

24 Volt Battery Pack (BAT031)

Rallonges

⚠ AVERTISSEMENT Si un cordon de rallonge s'avère nécessaire, vous devez utiliser un cordon avec conducteurs de dimension adéquate pouvant porter le courant nécessaire à votre outil. Ceci préviendra une chute excessive de tension, une perte de courant ou une surchauffe. Les outils mis à la terre doivent utiliser des cordons de rallonge trifilaires pourvus de fiches à trois broches ainsi que des prises à trois broches.

REMARQUE : Plus le calibre est petit, plus le fil est gros.

DIMENSIONS DE RALLONGES RECOMMANDÉES OUTILS 120 VOLTS COURANT ALTERNATIF

Intensité nominale de l'outil	Longueur en pieds				Longueur en mètres			
	Calibre A.W.G.				Calibre en mm ²			
	25	50	100	150	15	30	60	120
3-6	18	16	16	14	.75	.75	1.5	2.5
6-8	18	16	14	12	.75	1.0	2.5	4.0
8-10	18	16	14	12	.75	1.0	2.5	4.0
10-12	16	16	14	12	1.0	2.5	4.0	NA
12-16	14	12	NA	NA	NA	NA	NA	NA

NA = Non recommandé

Accessoires

Différentes lames au carbure de 10 po

Un assortiment de lames de différents matériaux, configurations de dents, inclinaisons, sont offerts vous donnant ainsi l'assurance de trouver la bonne lame pour différentes applications.

24 dents ATB (Biseau supérieur alternant), voie très étroite - arbre de 5/8 po.

40 dents ATB (Biseau supérieur alternant), voie très étroite - arbre de 5/8 po.

60 dents ATB (Biseau supérieur alternant), voie très étroite - arbre de 5/8 po.

Insert de table (BB1207)

Insert de trait de scie supplémentaire.

Rallonge et cale (BB1204)

Cet accessoire offre un support supplémentaire pour les ouvrages plus longs coupés à l'atelier.

Support de moulure en couronne (BB1203)

Serre-joint qui aide à tenir la moulure de couronne en place durant la coupe.

Sac de collecte de poussière (BB1208)

Se fixe au raccord d'aspiration et ramasse la poussière pour aider à maintenir la surface de travail propre.

Serre-joint à action rapide (BB1206)

Permet un cramponnage rapide de l'ouvrage.

Coude de poussière (BB1209)

Se fixe au raccord d'aspiration et permet de contrôler la direction du bran de scie, de même que de fixer un flexible de dépression de 2 1/2 po.

Sac de manutention (BB1210)

Sac étanche pour transporter et protéger votre outil.

Chargeur d'une heure (BC004)

Charge de 9,6 à 24 V.

Chargeur automobile d'une heure (BC006)

Charge de 9,6 à 24 V.

Chargeur de 15 minutes (BC016)

Charge de 7,2 à 24 V.

Bloc-pile de 24 V (BAT031)

Cordóns de extensión

⚠ ADVERTENCIA Si es necesario un cordón de extensión, se debe usar un cordón con conductores de tamaño adecuado que sea capaz de transportar la corriente necesaria para la herramienta. Esto evitará caídas de tensión excesivas, pérdida de potencia o recalentamiento. Las herramientas conectadas a tierra deben usar cordones de extensión de 3 hilos que tengan enchufes de 3 terminales y receptáculos para 3 terminales.

NOTA: Cuanto más pequeño es el número de calibre, más grueso es el cordón.

TAMAÑOS RECOMENDADOS DE CORDONES DE EXTENSION HERRAMIENTAS DE 120 V CORRIENTE ALTERNA

Capacidad nominal en amperes de la herramienta	Tamaño del cordón en A.W.G.				Tamaños del cable en mm ²			
	Longitud del cordón en pies				Longitud del cordón en metros			
	25	50	100	150	15	30	60	120
3-6	18	16	16	14	.75	.75	1.5	2.5
6-8	18	16	14	12	.75	1.0	2.5	4.0
8-10	18	16	14	12	.75	1.0	2.5	4.0
10-12	16	16	14	12	1.0	2.5	4.0	NA
12-16	14	12	NA	NA	NA	NA	NA	NA

NA = No recomendado

Accesorios

Varias hojas de punta de carburo de 10"

Se ofrece una amplia gama de hojas de diversos materiales, configuraciones de dientes e inclinaciones para proporcionar la hoja correcta para diversas aplicaciones.

Hoja de 24 dientes con ATB (bisel superior alternado), separación de corte ultradelgada, para eje portaherramienta de 5/8".

Hoja de 40 dientes con ATB (bisel superior alternado), separación de corte ultradelgada, para eje portaherramienta de 5/8".

Hoja de 60 dientes con ATB (bisel superior alternado), separación de corte ultradelgada, para eje portaherramienta de 5/8".

Accesorio de inserción de la mesa (BB1207)

Accesorio de inserción adicional para la separación de corte.

Extensión y tope para el material (BB1204)

Este aditamento proporciona un soporte adicional para las piezas de trabajo más largas que se cortan en el taller.

Soporte para moldura de techo (BB1203)

Abrazadera que ayuda a sujetar la moldura de techo en su sitio durante la operación de corte.

Bolsa de recogida de polvo (BB1208)

Se acopla a la boquilla para polvo y recoge el polvo para ayudar a mantener limpia el área de trabajo.

Abrazadera de acción rápida (BB1206)

Proporciona fijación rápida de la pieza de trabajo.

Codo para polvo (BB1209)

Se acopla a la boquilla para polvo y permite el control direccional del serrín, y además le permite acoplar una manguera de aspiradora de taller de 2-1/2 pulgadas.

Bolsa de transporte (BB1210)

Bolsa resistente al agua para transportar y proteger la herramienta.

Cargador de 1 hora (BC004)

Carga de 9.6 a 24 V.

Cargador automotriz de 1 hora (BC006)

Carga de 9.6 a 24 V.

Cargador de 15 minutos (BC016)

Carga de 7.2 a 24 V.

Paquete de baterías de 24 V (BAT031)

Maintenance and Lubrication

Service

⚠ WARNING NO USER SERVICEABLE PARTS INSIDE. Preventive maintenance performed by unauthorized personnel may result in misplacing of internal wires and components which could cause serious hazard. We recommend that all tool service be performed by a Bosch Factory Service Center or Authorized Bosch Service Station. **SERVICEMEN:** Disconnect tool and/or charger from power source before servicing.

Batteries

Be alert for battery packs that are nearing their end of life. Battery packs typically last from 500 to 1000 charges. If you notice decreased tool performance or significantly shorter running time between charges then it is time to replace the battery pack. Failure to do so can cause the tool to operate improperly or damage the charger.

Long term battery storage should be in the discharged state. Battery packs last longer and re-charge better when they are stored discharged. Remember to fully re-charge battery packs before using after prolonged storage.

Carbon Brushes

The brushes and commutator in your tool have been engineered for many hours of dependable service. To maintain peak efficiency of the motor, we recommend every two to six months the brushes be examined. Only genuine Bosch replacement brushes specially designed for your tool should be used.

Motor Brush Replacement

To Inspect or Replace Brushes:

1. Disconnect battery pack from tool.

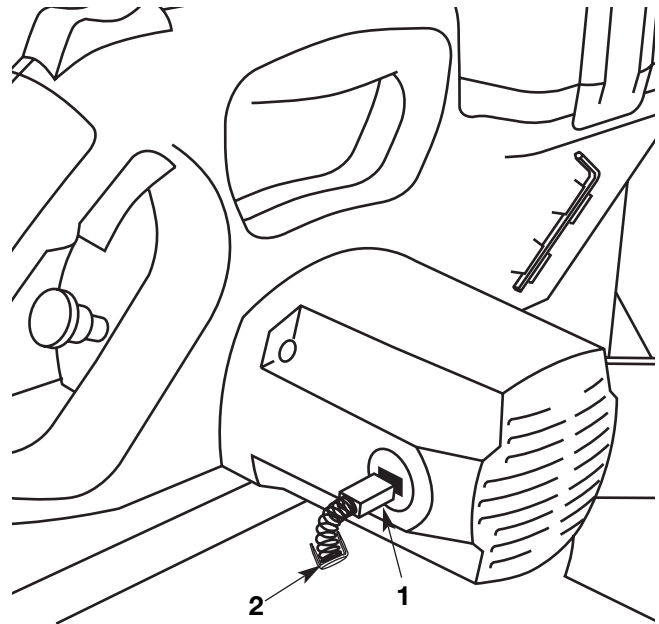
⚠ CAUTION The brush cap is spring loaded by the brush assembly.

2. Remove the brush cap on the motor using a wide flat blade screwdriver.
3. Pull out the brush **1** (Figure 36). Repeat for the opposite side.

NOTE: If installing the existing brush or brushes, make sure the brush goes in the same way it came out. Otherwise a break-in period will occur that will reduce motor performance and increase brush wear.

4. Install new brush. The two (2) tabs on the brush terminal go in the same hole the carbon part fits into.
5. Tighten the brush cap but do not overtighten.

FIG. 36



Remplacement des balais de moteur

Entretien

⚠ AVERTISSEMENT IL N'EXISTE À L'INTÉRIEUR AUCUNE PIÈCE SUSCEPTIBLE D'ÊTRE ENTRETENUE PAR L'UTILISATEUR. L'entretien préventif exécuté par des personnes non autorisés peut entraîner un positionnement erroné des composants et des fils internes, ce qui peut présenter de graves dangers. Nous recommandons de confier toute intervention d'entretien sur l'outil à un centre de service-usine Bosch ou à un centre de service après-vente Bosch agréé. TECHNICIENS : Débranchez l'outil et/ou le chargeur de la source de courant avant d'entretenir.

Piles

Faire attention aux blocs-piles qui approchent la fin de leur vie. Les blocs-pile peuvent en général être rechargés entre 250 et 500 fois. Si vous remarquez une diminution dans les performances de votre outil ou une durée de fonctionnement réduite de manière significative entre charges, il est temps de remplacer le bloc-piles. S'il n'est pas remplacé, il se peut qu'il endommage le chargeur ou que l'outil fonctionne incorrectement.

Les piles doivent être déchargées avant de les entreposer pour une longue durée. Les blocs-piles durent plus longtemps et se rechargent mieux quand ils sont rangés déchargés. Rappelez-vous qu'il faut complètement recharger les blocs-piles avant toute utilisation survenant après un stockage prolongé.

Balais de charbon

Les balais et le collecteur de votre outil ont été conçus pour donner plusieurs heures de fonctionnement sans aléas. Pour maintenir le moteur en forme, nous recommandons d'examiner les balais tous les deux à six mois. Vous ne devriez utiliser que les balais de rechange d'origine Bosch qui conviennent spécialement à votre outil.

Remplacement des balais du moteur

Pour inspecter ou remplacer les balais :

1. Débranchez le bloc-pile de l'outil.

⚠ AVERTISSEMENT Le capuchon de balai est chargé par ressort par l'ensemble de balai.

2. Retirez le capuchon de balai sur le moteur à l'aide d'un tournevis à lame plate large.
3. Tirez le balai **1** vers l'extérieur (Figure 36). Répétez pour le côté opposé.

REMARQUE : Si vous posez le ou les balais existants, assurez-vous que le balai est inséré de la même façon qu'il en est sorti. Sinon, il s'ensuivra une période de rodage qui réduira la performance du moteur et accroîtra l'usure des balais.

4. Posez le nouveau balai. Les deux (2) languettes sur la borne du balai **2** s'insèrent dans le même trou que celui dans lequel est insérée la pièce en carbone.
5. Serrez le capuchon de balai sans, toutefois, serrer excessivement.

Mantenimiento y lubricación

Servicio

⚠ ADVERTENCIA NO HAY PIEZAS EN EL INTERIOR QUE PUEDAN SER AJUSTADAS O REPARADAS POR EL USUARIO. El mantenimiento preventivo realizado por personal no autorizado puede dar lugar a la colocación incorrecta de cables y componentes internos que podría constituir un peligro serio. Recomendamos que todo el servicio de las herramientas sea realizado en un Centro de servicio de fábrica Bosch o en una Estación de servicio Bosch autorizada. TECNICOS DE REPARACIONES: Desconecten la herramienta y/o el cargador de la fuente de energía antes de realizar servicio de ajustes y reparaciones.

Baterías

Esté alerta a los paquetes de baterías que estén aproximándose al final de su vida útil. Los paquetes de baterías duran normalmente de 250 a 500 cargas. Si observa una disminución del rendimiento de la herramienta o un tiempo de funcionamiento significativamente más corto entre cargas, entonces ha llegado el momento de cambiar el paquete de baterías. Si no se hace esto, el resultado puede ser que la herramienta funcione incorrectamente o que el cargador se dañe.

Cuando la batería se almacene a largo plazo, debe estar en estado de descarga. Los paquetes de baterías duran más y se recargan mejor cuando se almacenan descargados. Recuerde recargar completamente los paquetes de baterías antes de utilizarlos después de un almacenamiento prolongado.

Escobillas de carbón

Las escobillas y el conmutador de la herramienta han sido diseñados para muchas horas de servicio fiable. Para mantener un rendimiento óptimo del motor, recomendamos que cada dos a seis meses se examinen las escobillas. Sólo se deben usar escobillas de repuesto Bosch genuinas diseñadas específicamente para su herramienta.

Cambio de las escobillas del motor

Para inspeccionar o cambiar las escobillas:

1. Desconecte el paquete de baterías de la herramienta.

⚠ PRECAUCION La tapa de las escobillas está accionada por resorte por el ensamblaje del cabezal.

2. Quite la tapa de las escobillas que está en el motor usando un destornillador de hoja plana ancha.
3. Tire de la escobilla **1** para sacarla (Figura 36). Repita la operación para el lado contrario.

NOTA: Si instala la escobilla o escobillas existentes, asegúrese de que la escobilla entre del mismo modo en que salió. De lo contrario, se producirá un período de rodaje que reducirá el rendimiento del motor y aumentará el desgaste de las escobillas.

4. Instale la escobilla nueva. Las dos (2) lengüetas del terminal de la escobilla **2** van en el mismo agujero en que se acopla la pieza de carbón.
5. Apriete la tapa de las escobillas pero no la apriete demasiado.

Cleaning

⚠ WARNING To avoid accidents, always disconnect the tool and/or charger from the power supply before cleaning. The tool may be cleaned most effectively with compressed dry air. **Always wear safety goggles when cleaning tools with compressed air.**

Ventilation openings and switch levers must be kept clean and free of foreign matter. Do not attempt to clean by inserting pointed objects through openings.

Develop a regular check to make sure the lower guard is working properly. Clean the lower guard of any sawdust build up with a damp cloth.

Sawdust will accumulate:

- Under the work table
- Under the base
- In the dust chute
- Between the chip deflector and the blade
- In the upper blade guard

⚠ CAUTION Certain cleaning agents and solvents damage plastic parts. Some of these are: gasoline, carbon tetrachloride, chlorinated cleaning solvents, ammonia and household detergents that contain ammonia.

Care of Blades

Blades become dull even from cutting regular lumber. If you find yourself forcing the saw forward to cut instead of just guiding it through the cut, chances are the blade is dull or coated with wood pitch.

When cleaning gum and wood pitch from blade, disconnect battery pack from tool and remove the blade. Remember, blades are designed to cut, so handle carefully. Wipe the blade with kerosene or similar solvent to remove the gum and pitch. Unless you are experienced in sharpening blades, we recommend you do not try.

Tool Lubrication

Your Bosch tool has been properly lubricated and is ready to use. It is recommended that tools with gears be regreased with a special gear lubricant at every brush change.

The Sliding Fence should slide smoothly left and right, lubricate if needed.

Bearings

All bearings in this tool are lubricated with a sufficient amount of high grade lubricant for the life of the unit under normal operating conditions. No further lubrication is required.

Nettoyage

⚠ AVERTISSEMENT Pour éviter les accidents, débranchez toujours l'outil et/ou le chargeur de la source de courant avant de nettoyer. La façon la plus efficace de nettoyer l'outil est à l'aide d'air sec comprimé. **Portez toujours des lunettes de sécurité en nettoyant les outils à l'air comprimé.**

Gardez les prises d'air et les interrupteurs propres et libres de débris. N'essayez pas de les nettoyer en introduisant des objets pointus dans leurs ouvertures.

Vérifiez régulièrement pour vous assurer que le protecteur inférieur fonctionne adéquatement. Nettoyez le protecteur inférieur à l'aide d'un chiffon humide pour y enlever toute accumulation de bran de scie.

Le bran de scie s'accumulera :

- sous la table de travail
- sous la base
- dans la chute à poussière
- entre le déflecteur de copeaux et la lame
- dans le protecteur supérieur de lame

⚠ AVERTISSEMENT Certains produits de nettoyage et dissolvants dont la gazoline, le tétrachlorure de carbone, les nettoyeurs chlorés, l'ammoniaque et les détergents ménagers contenant de l'ammoniaque peuvent abîmer les pièces en plastique.

Entretien des lames

Les lames finissent par s'émousser, même à couper des pièces de bois régulières. Si vous constatez que vous devez forcer la scie à avancer plutôt que de la guider simplement vers la ligne de coupe, il est probable que la lame est émoussée ou souillée de résine.

Quand vous devez enlever la gomme et la résine de la lame de votre scie, débranchez le bloc-pile de l'outil et avant d'enlever la lame. Souvenez-vous que les lames sont des objets tranchants et qu'elles doivent être manipulées avec soin. Essuyez la lame avec du kérosène ou un dissolvant similaire pour enlever l'accumulation de gomme et de résine. À moins que vous soyez parfaitement familier avec l'affûtage des lames, nous vous déconseillons de l'essayer.

Graissage de l'outil

Votre outil Bosch a été convenablement graissé et est prêt à utiliser. Il est recommandé que les outils à engrenages soient regraissés avec une graisse spéciale à l'occasion de tout remplacement de balais.

Le guide à glissière doit glisser en douceur vers la gauche et vers la droite, lubrifiez au besoin.

Roulements

Tous les roulements de cet outil sont lubrifiés à l'aide d'une quantité suffisante de lubrifiant de haute qualité pour toute la durée de l'outil dans des conditions normales d'utilisation. Aucune lubrification ultérieure n'est nécessaire.

Limpieza

⚠ ADVERTENCIA Para evitar accidentes, desconecte siempre la herramienta y/o el cargador de la fuente de energía antes de la limpieza. La herramienta se puede limpiar más eficazmente con aire comprimido seco. **Use gafas de seguridad siempre que limpie herramientas con aire comprimido.**

Las aberturas de ventilación y las palancas de interruptor deben mantenerse limpias y libres de materias extrañas. No intente limpiar introduciendo objetos puntiagudos a través de las aberturas.

Realice una comprobación periódica para asegurarse de que el protector inferior funcione adecuadamente. Limpie todo el serrín que se acumule en el protector inferior usando un paño húmedo.

El serrín se acumulará:

- Debajo de la mesa de trabajo
- Debajo de la base
- En el conducto para polvo
- Entre el deflector de virutas y la hoja
- En el protector superior de la hoja

⚠ PRECAUCION Ciertos agentes de limpieza y disolventes dañan las piezas de plástico.

Algunos de estos son: gasolina, tetracloruro de carbono, disolventes de limpieza clorados, amoníaco y detergentes domésticos que contienen amoníaco.

Cuidado de las hojas

Las hojas se desafilan incluso al cortar madera normal. Si usted tiene que forzar la sierra hacia adelante para que corte, en vez de simplemente guiarla a través del corte, lo más probable es que la hoja esté desafilada o cubierta de resina de madera.

Cuando limpie la hoja para quitarle la goma y la resina de madera, desconecte el paquete de baterías de la herramienta y quite la hoja. Recuerde, las hojas están diseñadas para cortar, así que manipúlelas cuidadosamente. Limpie la hoja con queroseno o con un disolvente similar para eliminar la goma y la resina. A menos que usted tenga experiencia en afilar hojas, le recomendamos que no lo intente.

Lubricación de las herramientas

Su herramienta Bosch ha sido lubricada adecuadamente y está lista para la utilización. Se recomienda que las herramientas con engranajes se vuelvan a engrasar con un lubricante especial para engranajes en cada cambio de escobillas.

El tope-guía deslizante debe deslizarse suavemente de izquierda a derecha, lubricar si es necesario.

Cojinetes

Todos los cojinetes de esta herramienta están lubricados con una cantidad suficiente de lubricante de alto grado para la vida de la unidad en circunstancias normales de funcionamiento. No se requiere

Troubleshooting Guide Electrical

PROBLEM BRAKE DOES NOT STOP BLADE WITHIN 5 SECONDS

- CAUSE**
1. Brushes not seated or lightly sticking.
 2. Motor overheated from use of not recommended accessory or rapid on/off cycling.
 3. Blade bolt loose.
 4. Other

- SOLUTION**
1. Inspect/clean or replace brushes (see Maintenance Section).
 2. Use a recommended blade. Let saw cool down.
 3. Tighten blade bolt.
 4. Authorized service

PROBLEM MOTOR DOES NOT START.

- CAUSE**
1. Check that battery pack is fully engaged.
 2. Check that battery pack is fully charged.
 3. Brushes worn.
 4. Other.

- SOLUTION**
1. Re-seat battery pack
 2. Charge battery pack.
 3. See Brush Replacement in the Maintenance and Lubrication section.
 4. Authorized service.

PROBLEM FLASH OF LIGHT FROM MOTOR ENDCAP WHEN SWITCH IS RELEASED.

- CAUSE**
1. Normal - brake working properly.

General

PROBLEM BLADE HITS TABLE.

- CAUSE**
1. Misalignment

- SOLUTION**
1. Authorized service.

PROBLEM ANGLE OF CUT NOT ACCURATE.

- CAUSE**
1. Misalignment

- SOLUTION**
1. See Adjustments section.

PROBLEM CANNOT MOVE MITER ADJUSTMENT.

- CAUSE**
1. Lock knob tightened/detent engaged.
 2. Sawdust under table.
 3. Blade interferes with fence.

- SOLUTION**
1. Loosen lock knob/move out of detent.
 2. Vacuum or blow out dust. Wear eye protection.
 3. Authorized service.

PROBLEM HEAD ASSEMBLY WOBBLERS.

- CAUSE**
1. Loose pivot points.

- SOLUTION**
1. See Bevel Pivot Adjustment in the Adjustments section.

Guide de Dépannage Électrique

PROBLÈME LE FREIN N'ARRÊTE PAS LA LAME DANS UN DÉLAI DE 5 SECONDES.

- CAUSE**
1. Les balais ne sont pas calés ou ils adhèrent légèrement.
 2. Le moteur a surchauffé en raison de l'utilisation d'un accessoire non recommandé ou de la mise en marche et à l'arrêt rapide.
 3. Boulon de lame desserré.
 4. Autre

ACTION CORRECTRICE

1. Inspectez/nettoyez ou remplacez les balais (voir Section de maintenance).
2. Utilisez une lame recommandée. Laissez la scie refroidir.
3. Serrez le boulon de lame.
4. Service agréé.

PROBLÈME LE MOTEUR NE DÉMARRE PAS.

- CAUSE**
1. Vérifiez que le bloc-pile est bien enclenché.
 2. Vérifiez que le bloc-pile est bien chargé.
 3. Balais usés.
 4. Autre

ACTION CORRECTRICE

1. Rodez le bloc-pile.
2. Chargez le bloc-pile.
3. Voir Remplacement des balais dans la section Maintenance et lubrification.
4. Service agréé.

PROBLÈME LUMIÈRE-ÉCLAIR DEPUIS LE CAPUCHON DU MOTEUR LORSQUE L'INTERRUPTEUR EST RELÂCHÉ.

- CAUSE**
1. Situation normale — le frein fonctionne adéquatement.

Généralités

PROBLÈME LA LAME SE HEURTE CONTRE LA TABLE.

- CAUSE**
1. Défaut d'alignement

ACTION CORRECTRICE

1. Service agréé.

PROBLÈME L'ANGLE DE COUPE N'EST PAS EXACT.

- CAUSE**
1. Défaut d'alignement

ACTION CORRECTRICE

1. Voir section Réglages.

PROBLÈME IMPOSSIBLE DE MODIFIER L'AJUSTEMENT D'ONGLET.

- CAUSE**
1. Le bouton de blocage est serré/le cran d'arrêt est engagé.
 2. Bran de scie sous la table.
 3. La lame entrave le guide.

ACTION CORRECTRICE

1. Desserrez le bouton de blocage/sortez du cran d'arrêt.
2. Aspirez ou soufflez le bran de scie. Portez des lunettes de protection.
3. Service agréé.

Guía de Localización y reparación de averías

Eléctricas

PROBLEMA EL FRENO NO DETIENE LA HOJA AL CABO DE 5 SEGUNDOS.

CAUSA

1. Escobillas no asentadas o que se pegan ligeramente.
2. Motor recalentado debido al uso de un accesorio no recomendado o a rápidos ciclos de encendido/apagado.
3. Perno de la hoja flojo.
4. Otra.

MEDIDA DE CORRECCION

1. Inspeccione/limpie las escobillas (vea la sección Mantenimiento).
2. Use una hoja recomendada.
Deje que la sierra se enfríe.
3. Apriete el perno de la hoja.
4. Servicio autorizado.

PROBLEMA EL MOTOR NO ARRANCA.

CAUSA

1. Compruebe si el paquete de baterías está completamente acoplado.
2. Compruebe si el paquete de baterías está completamente cargado.
3. Escobillas desgastadas.
4. Otra.

MEDIDA DE CORRECCION

1. Reasiente el paquete de baterías.
2. Cargue el paquete de baterías.
3. Vea Cambio de las escobillas en la sección Mantenimiento y lubricación.
4. Servicio autorizado.

PROBLEMA SE PRODUCE UN DESTELLO DE LUZ PROVENIENTE DE LA TAPA DE EXTREMO DEL MOTOR CUANDO SE SUELTA EL INTERRUPTOR.

CAUSA

1. Normal. El freno automático funciona adecuadamente.

Generales

PROBLEMA LA HOJA GOLPEA LA MESA.

CAUSA

1. Desalineación.

MEDIDA DE CORRECCION

1. Servicio autorizado.

PROBLEMA EL ANGULO DE CORTE NO ES PRECISO.

CAUSA

1. Desalineación.

MEDIDA DE CORRECCION

1. Vea la sección Ajustes.

Troubleshooting Guide

General

PROBLEM HEAD ASSEMBLY WILL NOT FULL RISE OR BLADE GUARD WILL NOT FULLY CLOSE.

CAUSE

1. Part failure.
2. Pivot spring or guard spring not replaced properly after service.
3. Sawdust accumulation.

SOLUTION

1. Authorized service.
2. Authorized service.
3. Clean head assembly.

PROBLEM BLADE BINDS, JAMS, BURNS WOOD. ROUGH CUTS.

CAUSE

1. Improper operation.
2. Dull blade.
3. Improper blade.
4. Bent blade.

SOLUTION

1. See Basic Saw Operation section.
2. Replace or sharpen blade.
3. Replace with 10" diameter blade designed for the material being cut.
4. Replace blade.

PROBLEM TOOL VIBRATES OR SHAKES.

CAUSE

1. Saw blade not round.
2. Saw blade damaged.
3. Saw blade loose.
4. Other.

SOLUTION

1. Replace blade.
2. Replace blade.
3. Tighten arbor screw.
4. Authorized service.

PROBLEM HEAD ASSEMBLY DOES NOT MOVE FROM 33.9° POSITION.

CAUSE

1. Bevel detent lock pin engaged.

SOLUTION

1. Pull lock pin out and rotate 90°.

Guide de Dépannage

Généralités

PROBLÈME LA TÊTE VACILLE.

CAUSE

1. Pointes de pivot lâches.

ACTION CORRECTRICE

1. Voir Réglage des pivots de biseau dans la section Réglages.

PROBLÈME LA TÊTE NE LEVE PAS COMPLETEMENT OU LE PROTECTEUR DE LAME NE SE FERME PAS COMPLETEMENT.

CAUSE

1. Défaillance de pièces.
2. Le ressort de pivot ou le ressort de protecteur n'a pas été remis en place adéquatement après l'entretien.
3. Accumulation de bran de scie.

ACTION CORRECTRICE

1. Service agréé.
2. Service agréé.
3. Nettoyez la tête.

PROBLÈME LA LAME GRIPPE, SE COINCE, BRULE DU BOIS. COUPES GROSSIERES.

CAUSE

1. Opération inappropriée.
2. Lame émoussée.
3. Lame inappropriée.
4. Lame pliée.

ACTION CORRECTRICE

1. Voir section Opérations de base de la scie.
2. Remplacez ou affûtez la lame.
3. Remplacez par une lame de 10 po de diamètre conçue pour le matériau à couper.
4. Remplacez la lame.

PROBLÈME L'OUTIL VIBRE OU TREMBLE.

CAUSE

1. La lame de scie n'est pas ronde.
2. La lame de scie est abîmée.
3. La lame de scie est desserrée.
4. Autre

ACTION CORRECTRICE

1. Remplacez la lame.
2. Remplacez la lame.
3. Serrez la vis de l'arbre.
4. Service agréé.

PROBLÈME LA TÊTE NE SORT PAS DE SA POSITION À 33,9°.

CAUSE

1. La cheville de blocage du cran d'arrêt de biseau est engagée.

ACTION CORRECTRICE

1. Tirez la cheville de blocage vers l'extérieur et tournez de 90°.

Guía de Localización y reparación de averías

Generales

PROBLEMA NO SE PUEDE MOVER EL AJUSTE DE INGLETES.

- CAUSA
1. Pomo de fijación apretado/retén acoplado
 2. Serrín debajo de la mesa.
 3. La hoja interfiere con el tope-guía.

MEDIDA DE CORRECCION

1. Afloje el pomo de fijación/muévalo hacia afuera del retén.
2. Limpie el polvo por aspiración o con chorro de aire. Use protección para los ojos.
3. Servicio autorizado.

PROBLEMA EL ENSAMBLAJE DEL CABEZAL TAMBALEA.

- CAUSA
1. Puntos de pivote sueltos.

MEDIDA DE CORRECCION

1. Vea Ajuste del pivote de bisel en la sección Ajustes.

PROBLEMA EL ENSAMBLAJE DEL CABEZAL NO SUBE COMPLETAMENTE O EL PROTECTOR DE LA HOJA NO SE CIERRA COMPLETAMENTE.

- CAUSA
1. Fallo de pieza.
 2. Resorte del pivote o resorte del protector no colocado adecuadamente después del servicio de ajustes y reparaciones.
 3. Acumulación de serrín.

MEDIDA DE CORRECCION

1. Servicio autorizado.
2. Servicio autorizado.
3. Limpie el ensamblaje del cabezal.

PROBLEMA LA HOJA SE ENGANCHA, SE ATASCA, QUEMA LA MADERA. CORTES BASTOS.

- CAUSA
1. Funcionamiento inadecuado.
 2. Hoja desafilada.
 3. Hoja inadecuada.
 4. Hoja doblada.

MEDIDA DE CORRECCION

1. Vea la sección Operaciones básicas de la sierra.
2. Cambie o afile la hoja.
3. Cámbiela por una hoja de 10" de diámetro diseñada para el material que se esté cortando.
4. Cambie la hoja.

PROBLEMA LA HERRAMIENTA VIBRA O TIEMBLA.

- CAUSA
1. Hoja de sierra no redonda.
 2. Hoja de sierra dañada.
 3. Hoja de sierra floja.
 4. Otra.

MEDIDA DE CORRECCION

1. Cambie la hoja.
2. Cambie la hoja.
3. Apriete el tornillo del eje portaherramienta.
4. Servicio autorizado.

PROBLEMA EL ENSAMBLAJE DEL CABEZAL NO SE MUEVE DESDE LA POSICION DE 33.9°.

- CAUSA
1. Pasador del cierre de retén de bisel acoplado.

MEDIDA DE CORRECCION

1. Tire del pasador de fijación hacia afuera y gire 90°.

Notes:

Remarques :

Notas:

LIMITED WARRANTY OF BOSCH PORTABLE AND BENCHTOP POWER TOOLS

Robert Bosch Tool Corporation ("Seller") warrants to the original purchaser only, that all BOSCH portable and benchtop power tools will be free from defects in material or workmanship for a period of one year from date of purchase. SELLER'S SOLE OBLIGATION AND YOUR EXCLUSIVE REMEDY under this Limited Warranty and, to the extent permitted by law, any warranty or condition implied by law, shall be the repair or replacement of parts, without charge, which are defective in material or workmanship and which have not been misused, carelessly handled, or misrepaired by persons other than Seller or Authorized Service Station. To make a claim under this Limited Warranty, you must return the complete portable or benchtop power tool product, transportation prepaid, to any BOSCH Factory Service Center or Authorized Service Station. For Authorized BOSCH Power Tool Service Stations, please refer to your phone directory.

THIS LIMITED WARRANTY DOES NOT APPLY TO ACCESSORY ITEMS SUCH AS CIRCULAR SAW BLADES, DRILL BITS, ROUTER BITS, JIGSAW BLADES, SANDING BELTS, GRINDING WHEELS AND OTHER RELATED ITEMS.

ANY IMPLIED WARRANTIES SHALL BE LIMITED IN DURATION TO ONE YEAR FROM DATE OF PURCHASE. SOME STATES IN THE U.S., SOME CANADIAN PROVINCES DO NOT ALLOW LIMITATIONS ON HOW LONG AN IMPLIED WARRANTY LASTS, SO THE ABOVE LIMITATION MAY NOT APPLY TO YOU.

IN NO EVENT SHALL SELLER BE LIABLE FOR ANY INCIDENTAL OR CONSEQUENTIAL DAMAGES (INCLUDING BUT NOT LIMITED TO LIABILITY FOR LOSS OF PROFITS) ARISING FROM THE SALE OR USE OF THIS PRODUCT. SOME STATES IN THE U.S. AND SOME CANADIAN PROVINCES DO NOT ALLOW THE EXCLUSION OR LIMITATION OF INCIDENTAL OR CONSEQUENTIAL DAMAGES, SO THE ABOVE LIMITATION OR EXCLUSION MAY NOT APPLY TO YOU.

THIS LIMITED WARRANTY GIVES YOU SPECIFIC LEGAL RIGHTS, AND YOU MAY ALSO HAVE OTHER RIGHTS WHICH VARY FROM STATE TO STATE IN THE U.S., PROVINCE TO PROVINCE IN CANADA AND FROM COUNTRY TO COUNTRY.

THIS LIMITED WARRANTY APPLIES ONLY TO PORTABLE AND BENCHTOP ELECTRIC TOOLS SOLD WITHIN THE UNITED STATES OF AMERICA, CANADA AND THE COMMONWEALTH OF PUERTO RICO. FOR WARRANTY COVERAGE WITHIN OTHER COUNTRIES, CONTACT YOUR LOCAL BOSCH DEALER OR IMPORTER.

GARANTIE LIMITÉE DES OUTILS ÉLECTRIQUES PORTATIFS ET D'ÉTABLI BOSCH

Robert Bosch Tool Corporation (le « vendeur ») garantit à l'acheteur initial seulement que tous les outils électriques portatifs et d'établi BOSCH seront exempts de vices de matériaux ou d'exécution pendant une période d'un an depuis la date d'achat. LA SEULE OBLIGATION DU VENDEUR ET LE SEUL RECOURS DE L'ACHETEUR sous la présente garantie limitée, et en autant que la loi le permette sous toute garantie ou condition implicite qui en découlerait, sera l'obligation de remplacer ou réparer gratuitement les pièces défectueuses matériellement ou comme fabrication, pourvu que lesdites défectuosités ne soient pas attribuables à un usage abusif ou à quelque réparation bricolée par quelqu'un d'autre que le vendeur ou le personnel d'une station-service agréée. Pour présenter une réclamation en vertu de cette garantie limitée, vous devez renvoyer l'outil électrique portatif ou d'établi complet, port payé, à tout centre de service agréé ou centre de service usine BOSCH. Veuillez consulter votre annuaire téléphonique pour les adresses.

LA PRÉSENTE GARANTIE NE S'APPLIQUE PAS AUX ACCESSOIRES TELS QUE LAMES DE SCIÉS CIRCULAIRES, MÊCHES DE PERCEUSES, FERS DE TOUPIES, LAMES DE SCIÉS SAUTEUSES, COURROIES DE PONÇAGE, MEULES ET AUTRES ARTICLES DU GENRE.

TOUTE GARANTIE IMPLICITE SERA LIMITÉE COMME DURÉE À UN AN À COMPTER DE LA DATE D'ACHAT. CERTAINS ÉTATS AMÉRICAINS, CERTAINES PROVINCES CANADIENNES N'ADMETTANT PAS LE PRINCIPE DE LA LIMITATION DE LA DURÉE DES GARANTIES IMPLICITES, IL EST POSSIBLE QUE LES LIMITATIONS CI-DESSUS NE S'APPLIQUENT PAS À VOTRE CAS.

EN AUCUN CAS LE VENDEUR NE SAURAIT ÊTRE TENU POUR RESPONSABLE DES INCIDENTS OU DOMMAGES INDIRECTS (INCLUANT, MAIS NE SE LIMITANT PAS AUX PERTES DE PROFITS) CONSÉCUTIFS À LA VENTE OU L'USAGE DE CE PRODUIT. CERTAINS ÉTATS AMÉRICAINS ET CERTAINES PROVINCES CANADIENNES N'ADMETTANT PAS LE PRINCIPE DE LA LIMITATION NI L'EXCLUSION DES DOMMAGES INDIRECTS ET CONSÉQUENTIELS, IL EST POSSIBLE QUE LES LIMITATIONS OU EXCLUSIONS CI-DESSUS NE S'APPLIQUENT PAS À VOTRE CAS.

LA PRÉSENTE GARANTIE VOUS ACCORDE DES DROITS BIEN DÉTERMINÉS, Y COMPRIS POSSIBLEMENT CERTAINS DROITS VARIABLES DANS LES DIFFÉRENTS ÉTATS AMÉRICAINS, PROVINCES CANADIENNES.

CETTE GARANTIE LIMITÉE NE S'APPLIQUE QU'AUX OUTILS ÉLECTRIQUES PORTATIFS ET D'ÉTABLI VENDUS AUX ÉTATS-UNIS D'AMÉRIQUE, AU CANADA ET AU COMMONWEALTH DE PORTO RICO. POUR COUVERTURE DE GARANTIE DANS LES AUTRES PAYS, CONTACTEZ VOTRE IMPORTATEUR OU REVENDEUR BOSCH LOCAL.

GARANTIA LIMITADA PARA HERRAMIENTAS MECANICAS PORTATILES Y PARA TABLERO DE BANCO BOSCH

Robert Bosch Tool Corporation ("el Vendedor") garantiza, únicamente al comprador original, que todas las herramientas mecánicas portátiles y para tablero de banco BOSCH estarán libres de defectos de material o de fabricación durante un período de un año a partir de la fecha de compra. LA ÚNICA OBLIGACION DEL VENDEDOR Y EL RECURSO EXCLUSIVO QUE USTED TIENE bajo esta Garantía Limitada y, hasta donde la ley lo permita, bajo cualquier garantía o condición implícita por ley, consistirá en la reparación o sustitución sin costo de las piezas que presenten defectos de material o de fabricación y que no hayan sido utilizadas incorrectamente, manejadas descuidadamente o reparadas incorrectamente por personas que no sean el Vendedor o una Estación de servicio autorizada. Para efectuar una reclamación bajo esta Garantía Limitada, usted debe devolver el producto, que consiste en la herramienta mecánica portátil o para tablero de banco completa, con el transporte pagado, a cualquier Centro de servicio de fábrica o Estación de servicio autorizada BOSCH. Para Estaciones de servicio autorizadas de herramientas mecánicas BOSCH, por favor, consulte el directorio telefónico.

ESTA GARANTIA LIMITADA NO SE APLICA A ARTICULOS ACCESORIOS TALES COMO HOJAS PARA SIERRAS CIRCULARES, BROCAS PARA TALADROS, BROCAS PARA FRESADORAS, HOJAS PARA SIERRAS DE VAIVEN, CORREAS PARA LIJAR, RUEDAS DE AMOLAR Y OTROS ARTICULOS RELACIONADOS.

TODAS LAS GARANTIAS IMPLICITAS TENDRAN UNA DURACION LIMITADA A UN AÑO A PARTIR DE LA FECHA DE COMPRA. ALGUNOS ESTADOS DE LOS EE.UU., ALGUNAS PROVINCIAS CANADIENSES NO PERMITEN LIMITACIONES EN CUANTO A LA DURACION DE UNA GARANTIA IMPLICITA, POR LO QUE ES POSIBLE QUE LA LIMITACION ANTERIOR NO SEA APLICABLE EN EL CASO DE USTED.

EL VENDEDOR NO SERA RESPONSABLE EN NINGUN CASO DE NINGUN DAÑO INCIDENTAL O EMERGENTE (INCLUYENDO PERO NO LIMITADO A RESPONSABILIDAD POR PERDIDA DE BENEFICIOS) QUE SE PRODUZCA COMO CONSECUENCIA DE LA VENTA O UTILIZACION DE ESTE PRODUCTO. ALGUNOS ESTADOS DE LOS EE.UU. Y ALGUNAS PROVINCIAS CANADIENSES NO PERMITEN LA EXCLUSION O LIMITACION DE LOS DAÑOS INCIDENTALES O EMERGENTES, POR LO QUE ES POSIBLE QUE LA LIMITACION O EXCLUSION ANTERIOR NO SEA APLICABLE EN EL CASO DE USTED.

ESTA GARANTIA LIMITADA LE CONFIERE A USTED DERECHOS LEGALES ESPECIFICOS Y ES POSIBLE QUE USTED TAMBIEN TENGA OTROS DERECHOS QUE VARIAN DE ESTADO A ESTADO EN LOS EE.UU., DE PROVINCIA A PROVINCIA EN CANADA.

ESTA GARANTIA LIMITADA SE APLICA SOLAMENTE A HERRAMIENTAS ELECTRICAS PORTATILES Y PARA TABLERO DE BANCO VENDIDAS EN LOS ESTADOS UNIDOS DE AMERICA, CANADA Y EL ESTADO LIBRE ASOCIADO DE PUERTO RICO. PARA COBERTURA DE GARANTIA EN OTROS PAISES, PONGASE EN CONTACTO CON SU DISTRIBUIDOR O IMPORTADOR LOCAL DE BOSCH.

© Robert Bosch Tool Corporation 1800 W. Central Road Mt. Prospect, IL 60056 -2230

Exportado por: Robert Bosch Tool Corporation Mt. Prospect, IL 60056 -2230, E.U.A.

Importado en México por: Robert Bosch S.A. de C.V., Calle Robert Bosch No. 405, Zona Industrial, Toluca Edo. de México. C.P. 50070 Tel. (72) 792300

Free Manuals Download Website

<http://myh66.com>

<http://usermanuals.us>

<http://www.somanuals.com>

<http://www.4manuals.cc>

<http://www.manual-lib.com>

<http://www.404manual.com>

<http://www.luxmanual.com>

<http://aubethermostatmanual.com>

Golf course search by state

<http://golfingnear.com>

Email search by domain

<http://emailbydomain.com>

Auto manuals search

<http://auto.somanuals.com>

TV manuals search

<http://tv.somanuals.com>