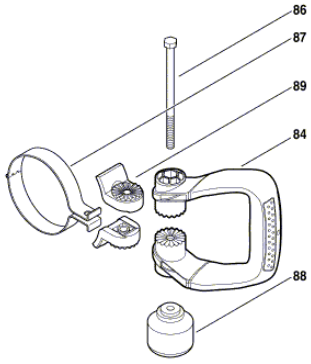




Item	Quantity	Order No.	Designation	Price group	Page
2	1	1 614 220 188	FIELD \ 120V	47	1
3	1	1 614 011 118	ARMATURE \ 120V	51	1
4	1	1 617 200 112	ON-OFF SWITCH	34	1
5	1	1 614 461 033	POWER SUPPLY CORD \ USA/CDN 3,1m 3 x 2,08mm SJ0W	32	1
6	1	1 610 703 053	GROMMET \ Ø9,7-Ø12x90 MM	12	1
7	1	1 601 302 018	FASTENING CLAMP	11	1
9	1	1 611 110 D43	STICKER	13	1
15	1	1 616 610 102	FAN	27	1
21	1	1 613 103 004	LOCKING BOLT	40	1
22	1	1 618 045 024	RETAINING BRACKET	48	1
23	2	2 917 760 187	CLAMPING SLEEVE \ 8x55 DIN 1481	11	1
28	4	1 614 614 006	COMPRESSION SPRING	19	1
29	1	1 614 614 007	COMPRESSION SPRING	19	1
33	1	1 611 006 008	HOLDING PLATE	23	1
34	1	1 610 102 635	SUPPORTING DISC	26	1
37	1	1 615 500 380	FAN COVER	36	1
42	1	1 614 336 078	BRUSH HOLDER	38	1
42/2	2	1 614 336 017	BRUSH GUIDE	21	1
42/3	2	1 614 652 007	SPIRAL SPRING	15	1
42/6	2	1 611 390 005	CONNECTOR	11	1
42/8	4	2 912 401 412	SELF-TAPPING SCREW	11	1
43	1	1 610 508 054	SPACER	13	1
46	1	1 615 106 053	MOTOR HOUSING	33	1
47	1	1 618 000 029	BASE PLATE	27	1
48	1	1 615 500 383	HOUSING COVER	33	1
53	1	1 610 190 058	STOP DISC	24	1
54	1	1 610 312 003	SPACER TUBE	32	1
55	1	1 610 506 019	CONTROL BUSHING	34	1
56/58	1	1 610 500 023	RETAINING RING	19	1
56/70	1	1 612 001 042	CONNECTING ROD	30	1
56/71	1	1 613 101 012	PISTON PIN	17	1
60	1	1 616 317 079	CYLINDRICAL GEAR	45	1
61	1	1 616 317 080	CYLINDRICAL GEAR	47	1
72	1	1 616 110 037	ECCENTRIC SHAFT	48	1
75/74	2	1 613 060 049	SPLINED COUPLING	23	1
75/76	1	1 618 045 022	STRAP-SHAPED HANDLE	40	1
75/77	1	1 615 805 069	BEARING PEDESTAL	32	1
75/79	2	1 613 060 050	TOOTHED SHAFT	24	1
75/80	1	1 615 500 376	BEARING END PLATE	22	1
75/81	1	1 615 500 377	BEARING END PLATE	22	1
75/173	4	1 613 490 008	TORX OVAL-HEAD SCREW	10	1
75/174	2	1 613 490 009	TORX OVAL-HEAD SCREW	11	1
75/183	2	2 916 280 013	SUPPORTING DISC	10	1
75/184	2	1 613 349 021	HEXAGON NUT	12	1
84	1	1 612 025 070	CARRYING HANDLE	35	2
86	1	2 911 011 270	HEXAGON SCREW \ DIN 931-M8x130-8.8	13	2
87	1	1 611 316 024	CLAMPING BAND	28	2
88	1	1 613 349 017	STAR KNOB \ M8 \ BLACK	19	2
89	2	1 615 132 116	CLAMPING PIECE	17	2
95	1	1 614 448 038	CONNECTING CABLE	21	1
118	1	1 610 520 003	SPACER TUBE	14	1
119	2	1 610 913 020	NEEDLE-ROLLER ASSEMBLY	13	1
120	1	1 610 910 092	NEEDLE-ROLLER BEARING \ D25xD37x17	33	1
123	1	1 610 900 030	DEEP-GROOVE BALL BEARING	29	1
126	4	2 603 490 023	TORX OVAL-HEAD SCREW \ BLACK	10	1
128	1	2 916 660 021	RETAINING RING \ 47x1,75MM, DIN 472	16	1

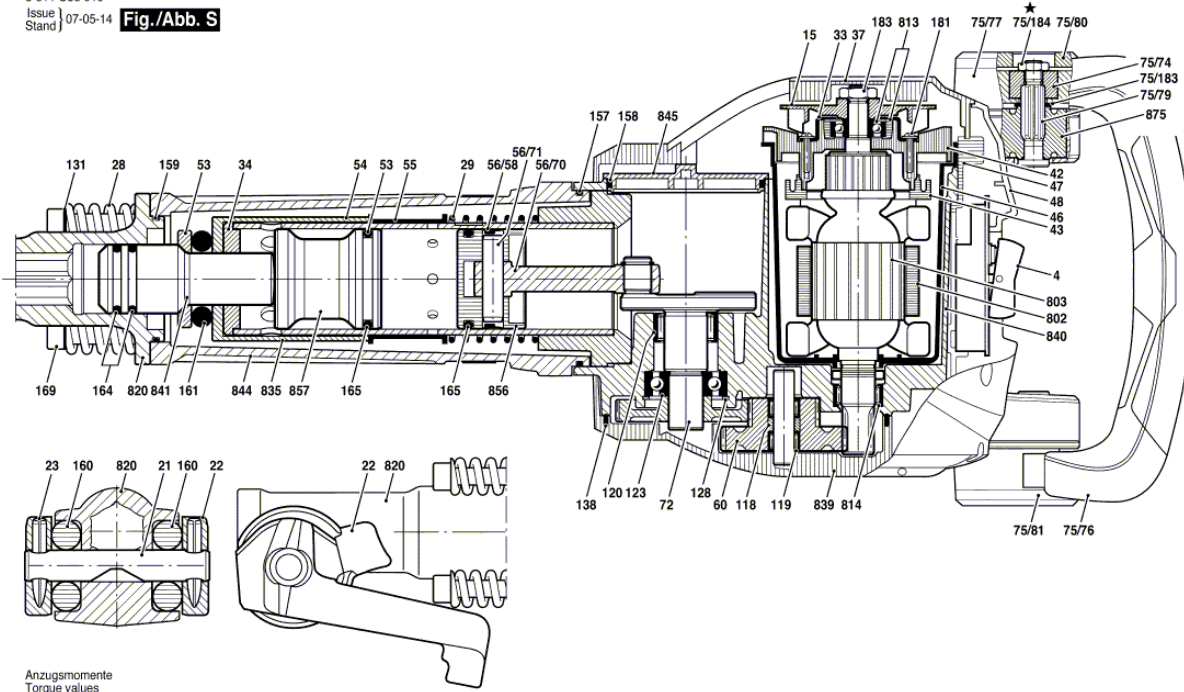
131	4	2 916 160 007	DISC SPRING	13	1
138	1	1 611 015 059	SEALING FRAME	15	1
157	1	1 610 210 191	O-RING	14	1
158	1	1 610 210 192	O-RING	14	1
159	1	1 600 210 005	O-RING \ 66x3 MM	12	1
160	2	1 610 210 008	O-RING \ 17,3x17,7 MM	18	1
161	1	1 610 210 193	O-RING	15	1
164	2	1 610 210 194	O-RING	13	1
165	2	1 610 210 195	O-RING	22	1
169	4	1 613 414 022	HEX-SOCKET-HEAD CAP SCREW	14	1
170	4	1 613 414 023	HEX-SOCKET-HEAD CAP SCREW	11	1
171	18	1 613 490 010	TORX OVAL-HEAD SCREW	11	1
172	2	1 613 490 011	TORX OVAL-HEAD SCREW	11	1
176	2	1 603 435 036	SELF-TAPPING SCREW \ 4,8x78 MM, TORX T-20	11	1
180	2	1 613 490 007	CLAMP SCREW	11	1
181	2	2 912 401 420	SELF-TAPPING SCREW \ DIN7981-ST3,9x19-F-Z	10	1
183	1	1 613 349 020	HEXAGON NUT	12	1
191	1	1 611 110 D15	WARNING PLATE	15	0
192	1	1 601 110 618	REFERENCE PLATE	12	0
661	1	1 615 430 010	GREASE TUBE \ 30 ML, RENOLIT DEP 2	18	0
808	1	1 601 106 999	NAMEPLATE \ 26x52 MM	15	1
810	1	1 617 014 143	CARBON-BRUSH SET	30	1
813	1	1 617 000 480	BEARING	27	1
814	1	1 617 000 481	BEARING	33	1
818	1	1 617 000 482	BRUSH-COVER	16	1
819	1	1 617 000 483	BRUSH-COVER	16	1
820	1	1 617 000 499	TOOLHOLDER	53	1
835	1	1 617 000 488	GUIDE TUBE	50	1
839	1	1 617 000 489	GEAR COVER	45	1
840	1	1 617 000 490	GEAR HOUSING	60	1
841	1	1 617 000 491	STRIKER PIN	44	1
844	1	1 617 000 492	HAMMER PIPE	52	1
845	1	1 617 000 493	SEALING CAP	27	1
856	1	1 617 000 494	HAMMER PISTON	32	1
857	1	1 617 000 495	STRIKER	41	1
875	1	1 617 000 496	RUBBER TORSION-BAR	38	1
896	1	1 617 000 497	SERVICE PACK	28	1
897	1	1 615 430 007	BOX \ 1000 ML, FT1 V27	42	0
898	1	1 615 430 001	GREASE TUBE \ 225 ML, FT1 V27	30	0

3 611 C35 010  
Issue | 07-05-14  
Stand | **Fig./Abb. 2**



Modifications reserved  
Änderungen vorbehalten  
Modifications réservées  
Salvo modificaciones

3 611 C35 010  
 Issue | 07-05-14  
 Stand | **Fig./Abb. S**



Anzugsmomente  
 Torque values  
 Couple de serrage  
 Pares de apriete

Pos. 4 = 0,5 - 0,8Nm	176 = 3,0 - 4,0Nm
126 = 1,5 - 2,0Nm	180 = 1,2 - 2,0Nm
169 = 40,0 - 45,0Nm	181 = 2,5 - 3,0Nm
170 = 40,0 - 45,0Nm	183 = 22,0 - 26,0Nm
171 = 5,0 - 6,0Nm	75/173 = 3,0 Nm
172 = 5,0 - 6,0Nm	75/174 = 3,0 Nm

★ mit Loctite 222 sichern  
 secure with Loctite 222

Modifications reserved  
 Änderungen vorbehalten  
 Modifications réservées  
 Salvo modificaciones



## Free Manuals Download Website

<http://myh66.com>

<http://usermanuals.us>

<http://www.somanuals.com>

<http://www.4manuals.cc>

<http://www.manual-lib.com>

<http://www.404manual.com>

<http://www.luxmanual.com>

<http://aubethermostatmanual.com>

Golf course search by state

<http://golfingnear.com>

Email search by domain

<http://emailbydomain.com>

Auto manuals search

<http://auto.somanuals.com>

TV manuals search

<http://tv.somanuals.com>