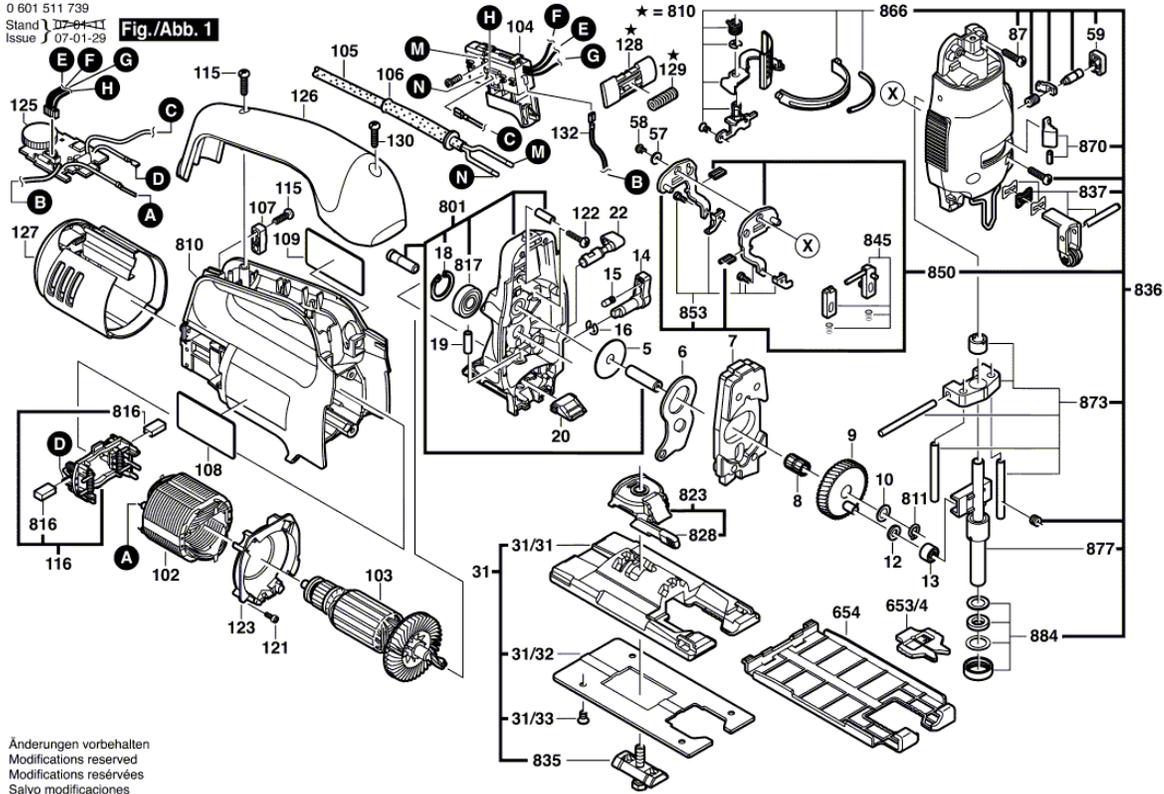


0 601 511 739
Stand 12-04-11
Issue 07-01-29

Fig./Abb. 1



Änderungen vorbehalten
Modifications reserved
Modificaciones reservées
Salvo modificaciones

Item	Quantity	Order No.	Designation	Price group	Page
5	1	2 600 101 048	SHIM \ Ø 0,5 MM	11	1
6	1	2 601 923 010	FORK LEVER	16	1
7	1	2 601 098 087	COUNTERWEIGHT	27	1
8	1	2 600 913 040	NEEDLE-ROLLER ASSEMBLY	18	1
9	1	2 606 320 055	ECCENTRIC COG WHEEL	32	1
10	1	2 600 101 047	SHIM \ 0,3 MM	11	1
12	1	2 600 200 038	INTERMEDIATE RING	11	1
13	1	2 600 917 900	NEEDLE SLEEVE	21	1
14	1	2 602 026 116	ROTARY KNOB \ BLACK	18	1
15	1	2 600 590 006	RATCHET CAP	11	1
16	1	2 916 080 908	LOCKING WASHER \ 5 DIN 6799	10	1
18	1	2 600 118 013	RETAINING RING	10	1
19	1	2 603 105 104	BEARING BOLT	11	1
20	1	2 602 305 023	AIR ELIMINATOR	11	1
22	1	2 602 026 109	ROTARY KNOB \ BLACK	13	1
31	1	2 608 000 925	BASE PLATE	32	1
31/31	1	2 608 000 305	BASE PLATE	28	1
31/32	1	2 601 098 099	WORK BOARD	20	1
31/33	4	2 603 490 029	THREAD-FORMING TAP. SCREW	10	1
57	1	2 600 100 123	SHIM	10	1
58	1	2 603 413 037	SOCKET HEAD SCREW	10	1
59	1	2 603 231 041	PUSH-BUTTON \ LIGHT GREY	14	1
87	4	2 603 410 051	THREAD-FORMING TAP. SCREW	10	1
102	1	2 604 220 591	FIELD \ 100-120V	28	1
103	1	2 604 011 326	ARMATURE \ 100-120V	39	1
104	1	2 607 200 589	ON-OFF SWITCH	28	1
105	1	2 604 460 270	POWER SUPPLY CORD	29	1
106	1	2 600 703 013	GROMMET \ Ø 7,6-Ø 8,2x95 MM	12	1
107	1	2 601 035 001	CABLE CLIP	11	1
108	1	2 601 116 428	NAMEPLATE	15	1
109	1	2 601 116 421	MANUFACTURER'S NAMEPLATE	15	1
115	4	2 603 490 022	TORX OVAL-HEAD SCREW	10	1
116	1	2 605 807 110	BRUSH PLATE	28	1
121	1	2 603 435 086	SELF-TAPPING SCREW	11	1
122	4	2 603 490 023	TORX OVAL-HEAD SCREW	10	1
123	1	2 601 328 073	COVER DISC	14	1
125	1	2 607 230 076	GOVERNOR \ 100-120V	35	1
126	1	2 602 025 133	STRAP-SHAPED HANDLE	24	1
127	1	2 600 508 049	HOUSING COVER	12	1
128	1	2 602 026 121	LOCKING LEVER \ LIGHT GREY	12	1
129	1	2 604 610 096	COMPRESSION SPRING	11	1
130	1	2 603 410 049	THREAD-FORMING TAP. SCREW \ M 4x12 MM	11	1
132	1	2 604 448 271	CONNECTING CABLE	11	1
653/4	1	2 601 016 087	PARTS SET	16	1
654	1	2 608 000 309	PAD	18	1
801	1	2 605 806 889	GEAR HOUSING \ BLACK	38	1
810	1	2 605 108 913	MOTOR HOUSING	29	1
811	1	2 600 916 900	LOCKING WASHER	10	1
816	1	2 604 320 913	CARBON-BRUSH SET	21	1
817	1	2 600 905 095	DEEP-GROOVE BALL BEARING	24	1
823	1	2 601 990 907	FAN COVER	24	1
828	1	2 601 990 042	TENSIONING LEVER	16	1
835	1	2 602 317 900	CLAMPING PIECE	20	1
836	1	2 605 808 928	GEAR COVER	50	1
837	1	2 601 321 907	ROLLER LEVER	28	1
845	1	2 601 098 905	SLIDER	22	1

850	1	2 601 990 908	GUIDE LEVER	33	1
853	1	2 602 180 009	GUIDE UNIT	28	1
870	1	2 600 591 900	CAP-HANDLE	11	1
873	1	2 601 322 901	CARRIER	27	1
877	1	2 600 780 911	LIFTING ROD	40	1
884	1	2 600 290 903	SEAL KIT	15	1
866	1	2 601 990 911	CONTROL UNIT	26	1

Free Manuals Download Website

<http://myh66.com>

<http://usermanuals.us>

<http://www.somanuals.com>

<http://www.4manuals.cc>

<http://www.manual-lib.com>

<http://www.404manual.com>

<http://www.luxmanual.com>

<http://aubethermostatmanual.com>

Golf course search by state

<http://golfingnear.com>

Email search by domain

<http://emailbydomain.com>

Auto manuals search

<http://auto.somanuals.com>

TV manuals search

<http://tv.somanuals.com>