

The Bose® Free Space® 51 Speakers

Owner's Guide



For your records

Serial numbers are located on the bottom of each speaker.

Serial number: _____ and _____

Dealer name: _____

Dealer phone: _____ Purchase date: _____

We suggest you keep your sales slip and warranty card together with this owner's guide.

Declaration of Conformity



We, the offerer:

Bose® Corporation, The Mountain
Framingham, MA 01701-9168 USA

acknowledge our sole responsibility, that the product:

Kind of equipment: **Outdoor Speakers**
Type designation: **Free Space® 51**

in accordance with EMC Directive 89/336/EEC and Article 10(1) of the Directive, is in compliance with the following norm(s) or document(s):

Technical regulations: **EN50081-1, EN50082-1**

Accredited by Bose Corporation

15 November 2002

Bose B.V., Nijverheidstraat 8
1135 GE Edam, The Netherlands

Nic Merks
Vice President Europe
Manufacturer's authorized EU
Representative

Where to find...


Setting Up	4
Before you begin	4
Unpacking the carton	4
Required tools	4
Optional tools	4
Decide if you need a professional installer	4
Selecting the location for your speakers	5
Choosing the speaker cord (not provided)	5
Making the connections	6
Preparing the speaker cord	6
Connecting the speaker cord to the speakers	6
Connecting the speaker cord to the receiver/amplifier	6
Checking the connections	7
Testing the connections	7
Reference	8
Troubleshooting	8
Customer service	8
Warranty period	8
Cleaning your speakers	8
Protecting the speaker cord	9
Technical Information	9

Before you begin

Thank you for purchasing your Bose® Free Space® 51 speakers. These high-performance outdoor speakers are engineered to provide sound quality far beyond that of most outdoor speakers. The speakers are also designed for permanent outdoor installation, and therefore can withstand nature's elements – so you can be confident they will perform for years to come (see “Environmental capabilities”, page 9).

Unpacking the carton

Carefully unpack your Free Space 51 speakers and save all packing materials for possible future use. Check that your system contains all parts identified in Figure 1. Do not attempt to use your speakers if any components are missing or appear damaged. Instead, notify Bose Corporation or your authorized Bose dealer immediately.

 **Note:** Now is a good time to record the serial numbers located on the bottom of each Free Space 51 speaker. Write both numbers on your warranty card and in the space provided on page 2 of this owner's guide.


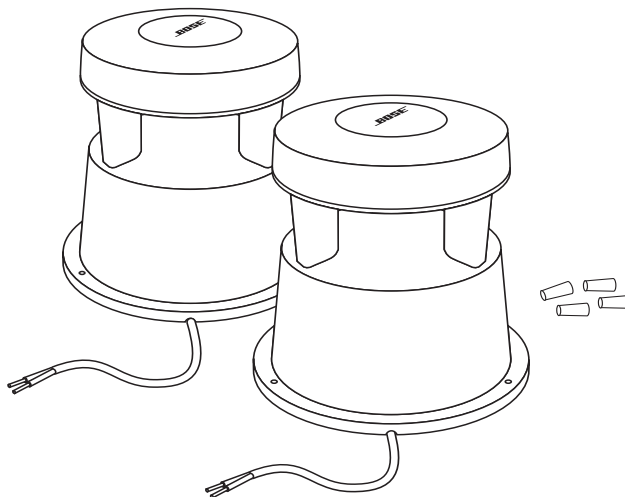
 **WARNING:** To avoid danger of suffocation, keep plastic bags out of the reach of children.

Figure 1

Package contents:

- 2 Free Space 51 speakers
- 4 wire nuts



Required tools

You need the following items to complete this installation:


- Speaker cord (see “Choosing the speaker cord” on page 5)
- wire strippers

Optional tools

- Shovel or spade
- Phillips-head screwdriver (#2)

Decide if you need a professional installer

If you have any doubts about using these tools, or handling or cutting cord, now is a good time to contact a professional installer. For customers who will install the speakers themselves, please follow the instructions provided in this owner's guide.

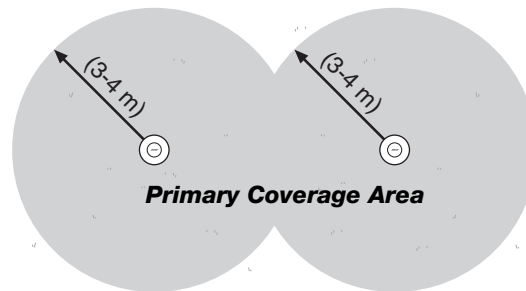
 **CAUTION:** Please read this owner's guide completely before beginning the installation. Failure to follow the instructions in this guide voids all warranties on your speakers. If you are unsure of your ability to complete this process, consult a professional installer.

Selecting the location for your speakers

Prior to installation, carefully select locations for your Free Space® 51 speakers. The speakers can be installed on almost any surface such as wood, concrete, or the ground. When choosing a location, please keep the following guidelines in mind:

Figure 2

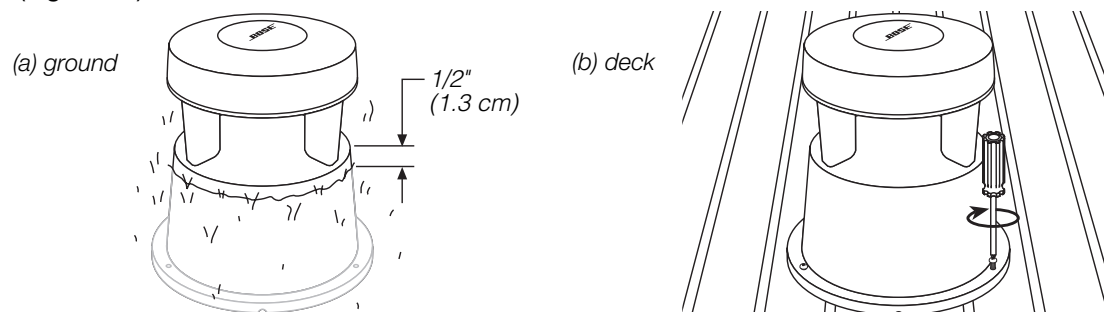
Speaker placement for optimal coverage



- Select a level surface for your speakers. This will prevent movement or vibration during use.
- Place your speakers where the speaker cord cannot be tripped over, pinched, or pulled.
- Do not place your speakers in an area where water tends to collect.
- Do not bury your Free Space 51 speakers deeper than 1/2 inch (1.3 cm) (Figure 3a).
- Use wood screws to fasten the speaker to a wood surface, such as a deck, if desired (Figure 3b).

Figure 3

Free Space 51 installation



Note: If you want to connect two or more speakers to an Acoustimass® module or to other speakers, please contact Bose Customer Service or a professional installer for assistance.

Choosing the speaker cord (not provided)

WARNING: Before running speaker cord through a wall or under ground, check your local building code requirements, or contact an electrical installer.

- Use the proper gauge (thickness) of speaker cord. See “Cord recommendations” under “Technical Information” on page 9 for proper gauge, or check with your authorized Bose® dealer.
- If your installation requires the cord to be buried in the ground, use direct-burial rated cable or run the cord through a PVC piping channel. Always use moisture-resistant speaker cord.
- Place speakers and run cord before digging holes or burying cord.
- If you think your speaker cord may be exposed to salt water or water containing chemicals such as chlorine or fertilizers, you may use a silicone caulking material as added protection for the speaker connections.

Making the connections

WARNING: Before making any connections, turn off your receiver or amplifier and unplug it from the AC power (mains) outlet.

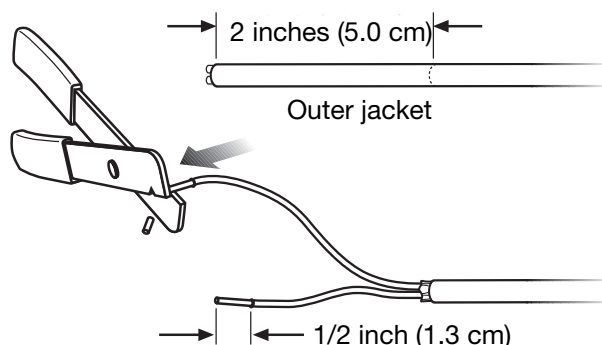
Preparing the speaker cord

Speaker cord consists of two insulated wires. Usually one is ribbed or red (+), and the other plain or black (-). Direct-burial cable has a protective outer jacket around the wires. Consider the following guidelines before cutting any cords:

- Measure the length of cord needed to connect each speaker to your receiver/amplifier
- Strip the outer jacket back 2". Strip the inner insulation on both wires back 1/2" (1.3 cm) (Figure 4).

Figure 4

Stripping the wires

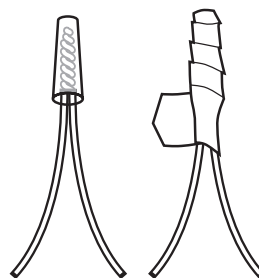


Connecting the speaker cord to the speakers

1. Connect the positive (ribbed or red) speaker wire to the positive (red) wire from the speaker cable. Twist the stripped wires together.
2. Secure the wire nuts with a twisting motion. If you prefer to reinforce the wire nuts, use electrical tape (Figure 5).

Figure 5

Reinforcing the wire nuts



3. Connect the negative (plain or black) wire to the negative (black) wire from the speaker cable, as in steps 1 and 2 above.

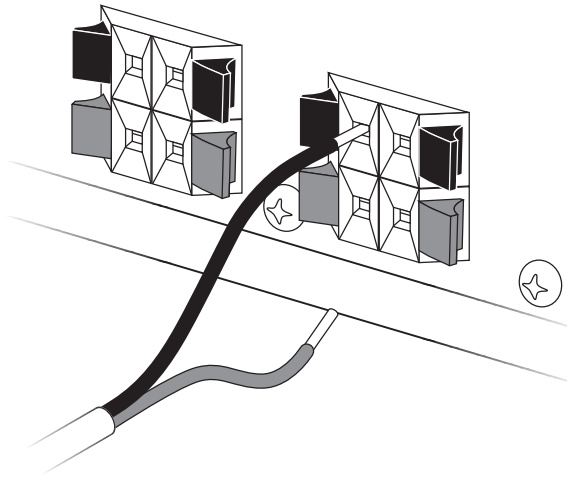
Connecting the speaker cord to the receiver/amplifier

1. Connect the speakers on the left side of the listening area to the left channel of your receiver/amplifier (Figure 6).
 - a. Attach the positive (ribbed) wire to the red (+) terminal.
 - b. Attach the negative (plain) wire to the black (-) terminal.
2. Connect the speaker on the right side of the listening area to the right channel of your receiver or amplifier, as above.

Note: If your Free Space® 51 speakers are being connected to your receiver/amplifier as a secondary set of speakers, be sure to make the appropriate connections to the "B" channel.

Figure 6

Connecting cord to receiver



Checking the connections

Check the speaker connections carefully. Make sure no loose strands of wire touch across terminals. This could create short circuits and damage an amplifier or receiver.

Tighten any loose connections before you plug in the receiver/amplifier.

Testing the connections

To make sure your speakers operate correctly, follow these steps:

1. Center the balance control on your receiver/amplifier.
2. Set the stereo/mono control to MONO.
3. Play some passages of music containing deep bass through the speakers.

The sound should seem to come from a point between the two speakers. The bass should be full and natural. If not, the connections may be reversed, causing the speakers to play out of phase. To correct the problem, make sure all the cords are connected positive to positive (+ to +) and negative to negative (- to -).

Troubleshooting

Problem	What to do
No sound	<ul style="list-style-type: none"> • Make sure the receiver is plugged in and turned on. • Check to be sure the AC power (mains) outlet is working. • Disconnect any headphones plugged into the headphone jack. • Make sure the receiver is not set to MUTE. • Refer to the owner's guide that came with your receiver. • Check connections to both the speakers and the receiver. Refer to "Making the connections" on page 6. Correct any connection errors. • If your Free Space® 51 speakers are connected as a second set of speakers to your receiver/amplifier, check that the connections have been made to the "B" terminals, and that the "B" speakers are selected to play.
No sound from one speaker	<ul style="list-style-type: none"> • Check that the balance control on your receiver/amplifier is centered. • Check the cord connecting the receiver/amplifier to the silent speaker. • Disconnect the working speaker from the receiver. Switch the cord of the silent speaker from its original receiver terminals to the other set of terminals (that the working speaker was originally attached to). If the speaker now works, the problem is in your receiver. If the speaker does not work, continue below: Remove the cord from the working speaker and connect it to the silent speaker and either set of receiver terminals. If the speaker now works, the problem is in the original speaker cord. If the speaker does not work, the problem is in the speaker.
One speaker sounds distorted	<ul style="list-style-type: none"> • Follow the same procedure for the problem of "No sound from one speaker," as outlined above.
Not enough bass or treble	<ul style="list-style-type: none"> • Check the tonal balance setting on your receiver/amplifier. • Adjust the bass and treble controls on the receiver. • Check the connections to make sure they are correctly in phase (+ to + and - to -). Refer to "Make the connections" on page 6.

Customer service

For additional help in solving problems, contact Bose® Customer Service. See the list of service centers and phone numbers enclosed in the shipping carton. Bose Corporation will make every effort to correct problems within the terms of your warranty.

Warranty period

Free Space 51 speakers are covered by a limited five-year transferable warranty. Details of coverage are on the warranty card that came with your speakers. Please fill out the information section, detach, and mail it to Bose.

Cleaning your speakers

Use a cloth dampened in mild detergent and water to remove dust or dirt from the outside of your Free Space 51 speakers. Or use a hose to rinse them thoroughly with fresh water. Do not use enough pressure to force water into the drivers or the acoustic ports.

Protecting the speaker cord

The bare ends of the speaker cord can be affected by exposure to the elements. This is especially true of salt water or water containing chemicals such as chlorine or fertilizer. You may use a silicone caulking material, such as RTV adhesive, to protect the connections. It is commonly available at hardware stores. If you do use caulking, apply it only after the cords are connected. Check the connections annually, and reapply as needed.

Technical Information

Protective features

- Environmentally resistant hardware

Driver complement

- One 4.5" (11.4 cm) environmental driver per speaker

Color

- Green

Dimensions

- 14¹/₂" (36.8 cm) diameter, 15" (38.1 cm) height

Weight

- 12 lb (5.4 kg) each

Compatibility

- Compatible with amplifiers or receivers rated 4 to 8 ohms
- 50W IEC continuous power-handling compatible with receivers and amplifiers rated 10-100W

Environmental capabilities

Designed to withstand:

- Salt fog, sun, high humidity (rain and snow)
- Temperature extremes (-40°F to 158°F; -40°C to 70°C)
- Permanent outdoor installation

Cord recommendations

Based on maximum frequency response deviation of ± 0.5 dB

Gauge	Length
18 (0.82 mm ²)	20 ft (6 m) maximum
16 (1.3 mm ²)	30 ft (9 m) maximum
14 (2.1 mm ²)	50 ft (15 m) maximum
12 (3.3 mm ²)	80 ft (24 m) maximum

Use direct-burial cable for outdoor installations.



BOSE[®]
Better sound through research[®]

©2003 Bose Corporation, The Mountain,
Framingham, MA 01701-9168 USA
268612 AM Rev.00 JN30335

AM268612_00_V.pdf • January 10, 2003

Download from Www.Somanuals.com. All Manuals Search And Download.

OUR COMMITMENT TO YOU

We take great pride in designing each of our products with the goal of providing the highest accuracy musical performance possible in the price range of that product. We strive to reproduce the musical sounds as closely as possible to those of the original performance. And we strive to avoid flashy sounds such as those associated with accentuated bass and/or treble frequencies. While those sounds may be initially attractive to the novice, they are not real and are not enduring. In addition, we use only the highest quality parts and the latest assembly and quality control techniques to ensure the reliability and long life of our products.

Our reputation rests on our steadfast pursuit of this policy in sound systems for the home, the automobile, and businesses.

At Bose® we reinvest 100% of our earnings back into the company. This enables us to support research that continually gives rise to new technologies for improving sound reproduction.

When you purchase any product from Bose, we encourage you to compare it, as we do, to competitive products for musical accuracy. We believe that this process will enhance your appreciation of the product you select.

With best wishes from all of us at Bose for many years of enjoyable listening.



SITE

www.bose.com/info

AND SOUND

For your home. Your car. Your business. Your life.

BOSE[®]

Whether it's an exciting new movie or a favorite old song, we believe that when you hear it with Bose® sound, you'll hear a difference. A welcome difference, because what you're hearing is the result of years of research – research that we use to create new products and improve our existing ones – like the one you now own. It's a big part of what makes us the most respected name in sound.

We hope you enjoy your Bose product and we invite you to discover more about Bose. Until then, enjoy the experience.

VISIT US ONLINE:

www.bose.com/info

OR CALL 1-800-444-BOSE (2673)

Outside the US and Canada call 1-508-766-1099

TO CONTACT BOSE CORPORATION IN YOUR COUNTRY, PLEASE SEE YOUR OWNER'S MATERIALS.

"BOSE...THE MUSIC LOVER'S BEST FRIEND."

– Elle Décor

"SYNONYMOUS WITH QUALITY."

– Design News

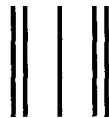
"AN INNOVATIVE APPROACH."

– Inside HiFi

BOSE[®]
Better sound through research[®]

Please do not send products or other
correspondence to the address below.

318 C



PLACE
FIRST-CLASS
STAMP
HERE

BOSE[®]

PRODUCT REGISTRATION DEPARTMENT

PO BOX 13247

DENVER CO 80201-3247

Bose® Product Registration And Warranty Information

***Please complete and
return immediately***

**Register online at:
<http://www.bose.com/register>**

BOSE®
Call 1-800-444-BOSE

For U.S. And Canadian Residents Only

- 16 Which best describes your family income?
- | | |
|---|--|
| 1. <input type="checkbox"/> Under \$15,000 | 7. <input type="checkbox"/> \$100,000-\$124,999 |
| 2. <input type="checkbox"/> \$15,000-\$24,999 | 8. <input type="checkbox"/> \$125,000-\$149,999 |
| 3. <input type="checkbox"/> \$25,000-\$34,999 | 9. <input type="checkbox"/> \$150,000-\$174,999 |
| 4. <input type="checkbox"/> \$35,000-\$49,999 | 10. <input type="checkbox"/> \$175,000-\$199,999 |
| 5. <input type="checkbox"/> \$50,000-\$74,999 | 11. <input type="checkbox"/> \$200,000-\$249,999 |
| 6. <input type="checkbox"/> \$75,000-\$99,999 | 12. <input type="checkbox"/> \$250,000 or over |
- 17 Education: (Please check which category applies to you)
1. Some high school
 2. Completed high school
 3. College degree
 4. Graduate degree
- 18 In the last six (6) months has anyone in your household purchased any of the following items through the mail and/or over the Internet?
- | | A. Mail | B. Internet |
|---------------------------------|--------------------------|--------------------------|
| 1. Books/magazines | <input type="checkbox"/> | <input type="checkbox"/> |
| 2. Children's products | <input type="checkbox"/> | <input type="checkbox"/> |
| 3. Clothes | <input type="checkbox"/> | <input type="checkbox"/> |
| 4. Insurance/financial products | <input type="checkbox"/> | <input type="checkbox"/> |
| 5. Music/Video/DVD | <input type="checkbox"/> | <input type="checkbox"/> |
| 6. Travel | <input type="checkbox"/> | <input type="checkbox"/> |
| 7. Other | <input type="checkbox"/> | <input type="checkbox"/> |
- 19a Some Bose® systems contain software which is critical for their operation. We may offer software upgrades in the future to enhance your system functionality. Please check here if you do not want to be contacted regarding software upgrades.
- 19b Check here if you do not want to hear about other Bose products.
- 19c Check here if you do not wish to receive information from other reputable companies that offer new and exciting products and services.

**PLEASE FOLD AND SEAL WITH TAPE BEFORE MAILING.
DO NOT STAPLE.**

Limited Warranty Bose® Product

Please Keep This Warranty Information Card With Your Owner's Guide.

What is covered:

All parts defective in material and workmanship. This limited warranty does not cover a defect that has resulted from improper or unreasonable use or maintenance, accident, excess moisture, improper packing, lightning, power surges, or unauthorized tampering, alteration or modification.

Limitation on Liability:

THE PROVISIONS OF THIS LIMITED WARRANTY ARE IN LIEU OF ANY OTHER WRITTEN WARRANTY, WHETHER EXPRESS OR IMPLIED, WRITTEN OR ORAL, INCLUDING ANY WARRANTY OF MERCHANTABILITY OR FITNESS FOR A PARTICULAR PURPOSE. Notwithstanding the above, where applicable, if you qualify as a "consumer" under the Magnuson-Moss Warranty Act, then you may be entitled to any implied warranties allowed by law for the period of the express warranty as set forth below. Some states do not allow limitations on how long an implied warranty lasts, so the above limitation may not apply to you.

For how long:

The Bose Limited Warranty lasts one year from the purchase date for electronic products, systems, and powered speaker components, and five years for speaker components that are not self-powered (amplified). Integrated, stereo, and home theater systems have a one year Limited Warranty. Additionally, the 131® marine speakers have a three year Limited Warranty. Powered component speakers have a one year Limited Warranty term for the electronics and five years for the speakers. The Headset X has a two year Limited Warranty, excluding the ear cushions, which have a 6 month Limited Warranty. The QuietComfort™ headset has a 1 year Limited Warranty. Please see your Owner's Guide for details. For the Limited Warranty on professional products, please refer to your Owner's Guide for details.

What we will do:

We will, at our sole option, repair or replace any defective parts within a reasonable period of time and free of charge.

What we will not do:

Pay shipping or transportation charges from you to us.

What you must do to obtain Warranty Service:

1. Return product with proof of purchase from an authorized Bose dealer to a Bose Service Agency, or
2. Return product with proof of purchase from an authorized Bose dealer directly to Bose Corporation. If you elect to return the product directly to Bose Corporation, the following procedures must be followed.
 - a) Contact Bose Corporation for specific return and shipping instructions, which will include but may not be limited to;
 - b) Properly packing the product in the original carton for shipping. If you need a new carton, contact Bose Corporation for a new carton available at a nominal charge;

Warranty information continued on other side

BOSE®

Continued from other side

- c) Labeling and shipping, freight prepaid, to Bose® Corporation, Product and Technical Support, The Mountain, Framingham, MA 01701-9168 or the one provided by Bose Corporation. You may also write to this address to obtain information about this limited warranty.
- d) Placing any necessary return authorization number prominently on the outside of the carton. (Cartons not bearing a return authorization number where required will be refused.)

Exclusive Remedy:

This limited warranty is fully transferable provided that the current owner furnishes the original proof of purchase from an authorized Bose dealer. THE MAXIMUM LIABILITY OF BOSE SHALL NOT EXCEED THE ACTUAL PURCHASE PRICE PAID BY YOU FOR THE PRODUCT. IN NO EVENT SHALL BOSE BE LIABLE FOR SPECIAL, INCIDENTAL, CONSEQUENTIAL OR INDIRECT DAMAGES. Some places do not allow limitations on the exclusion or limitation of relief, special, incidental, consequential or indirect damages, or the limitation of liability to specified amounts, so the above limitations or exclusions may not apply to you.

Other conditions:

This limited warranty gives you specific legal rights, and you may also have other rights which vary from country to country or state to state. This limited warranty is void if the label bearing the serial number has been removed or defaced.



Bose Corporation thanks you for your recent Bose product purchase. We know it will give you years of satisfaction.

For your benefit, we recommend that you record your serial number(s), found on the product(s), and other purchase information on this card and keep it with your personal records along with proof of purchase. If necessary, this information will allow us to better serve your needs.

Model Name or Number: _____

Serial Number(s): _____

Date Purchased: _____

Dealer's Name: _____

Dealer's Address: _____

Please refer to your Owner's Guide for the list of Warranty Service Centers.

Please send any correspondence regarding product information or warranty services to:

**Bose Corporation, The Mountain, Framingham, MA 01701-9168
(508) 879-7330 or toll-free (800) 444-BOSE**



Free Manuals Download Website

<http://myh66.com>

<http://usermanuals.us>

<http://www.somanuals.com>

<http://www.4manuals.cc>

<http://www.manual-lib.com>

<http://www.404manual.com>

<http://www.luxmanual.com>

<http://aubethermostatmanual.com>

Golf course search by state

<http://golfingnear.com>

Email search by domain

<http://emailbydomain.com>

Auto manuals search

<http://auto.somanuals.com>

TV manuals search

<http://tv.somanuals.com>