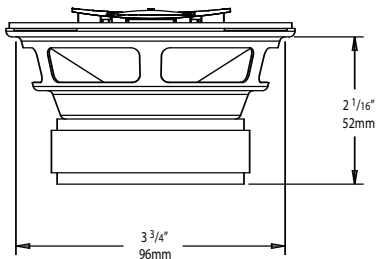
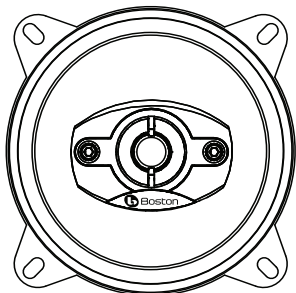


**SE45 Speakers Include:**

- 8 x Phillips Head Screw
- 8 x Spring Clip
- 2 x Terminated Speaker Wire
- 4 x 16/18 AWG. Connector Barrel

## SE45 4-inch (100mm) Coaxial Speakers



### Specifications:

	SE45
Nominal Size	4" (100mm)
RMS Power Handling	35w
Peak Power Handling	80w
Frequency Response ( $\pm 3$ dB)	90-20kHz
Impedance	4 $\Omega$
Sensitivity (1w/1M)	92dB

**Boston Acoustics, Inc.** 300 Jubilee Drive Peabody, Massachusetts 01960 U.S.A. [bostonacoustics.com](http://bostonacoustics.com)

© 2011 All rights reserved. Boston, Boston Acoustics, and the B/A ellipse symbol are registered trademarks of Boston Acoustics, Inc. Specifications are subject to change without notice.

142-003902-0

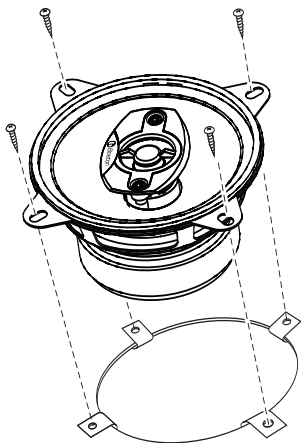
# SE45



## *SE45 4-inch (100mm) Coaxial Speakers*

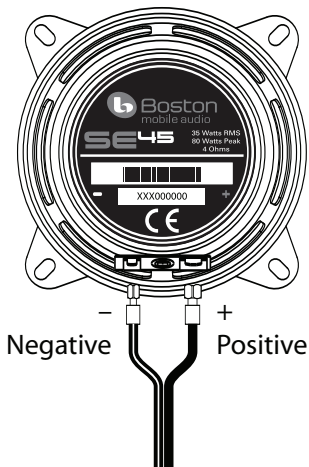
### *Installation*

---



### *Wiring*

---



# SE45

## Free Manuals Download Website

<http://myh66.com>

<http://usermanuals.us>

<http://www.somanuals.com>

<http://www.4manuals.cc>

<http://www.manual-lib.com>

<http://www.404manual.com>

<http://www.luxmanual.com>

<http://aubethermostatmanual.com>

Golf course search by state

<http://golfingnear.com>

Email search by domain

<http://emailbydomain.com>

Auto manuals search

<http://auto.somanuals.com>

TV manuals search

<http://tv.somanuals.com>