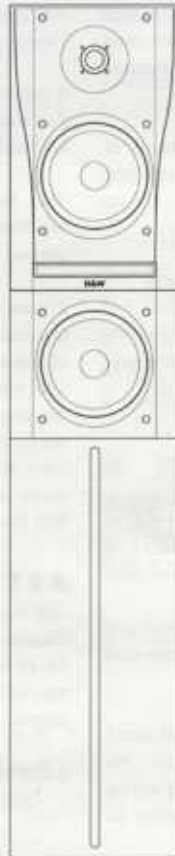


OWNER'S MANUAL

DM'308



LISTEN AND YOU'LL SEE

INTRODUCTION

Thank you for purchasing B&W DM300 Series speakers.

Since its foundation in 1966, the continuing philosophy of B&W has been the quest for perfect sound reproduction. Inspired by the company's founder, the late John Bowers, this quest has entailed not only high investment in audio technology and innovation but also an abiding appreciation of music to ensure that the technology is put to maximum effect.

The DM308 has a Prism System (Patent pending) rear baffle designed to mimic the interior of an anechoic chamber. This greatly helps to break up the regular internal cabinet volume that would otherwise encourage coloration from internal standing waves. Homogeneous fibre cone bass/midrange drive units are used for minimum coloration and maximum definition. The DM308 also features a soft dome tweeter with magnetic fluid cooling to ensure good definition to the limits of audibility and maintain dynamics to high sound levels.

However, no matter how good the speakers themselves, they must work well into the listening room and time spent on the installation process will reap the reward of many hours listening pleasure. Please read through this manual fully. It will help you optimise the performance of your audio system.

B&W distribute to over 50 countries world-wide and maintain a network of dedicated distributors who will be able to help should you have any problems your dealer cannot resolve.

UNPACKING (figure 1)

Fold the top carton flaps right back and invert the carton and contents.

Lift the carton clear of the contents.

Remove the inner packing from the product.

4 spike feet and 4 lock nuts are taped in recesses in one polystyrene end tray.

We suggest you retain the packaging for future use.

CONNECTIONS (figure 2)

All connections should be made with the equipment turned off.

Connect the positive terminal on the speaker (marked + and coloured red) to the positive terminal on the power amplifier and negative (-, black) to negative (figure 2). Failure to observe correct polarity will result in poor sound balance and image focusing.

Always make sure all the terminal caps are screwed down tight, as otherwise they may rattle.

When choosing cable, keep the total electrical impedance (out and back) below the maximum recommended in the specification. In particular, the cable should have low inductance, otherwise the very high frequencies will be attenuated. Ask your dealer for advice, as the optimum cable will depend on the length required.

POSITIONING (figure 3)

Some experimentation with the position of the speakers is well worthwhile to optimise the interaction between them and the listening room. However, as an initial guide:

Do not fit the spike feet until you have found the best position for the speakers.

Place the speakers and the centre of the listening area approximately at the corners of an equilateral triangle.

Keep the speakers at least 1.5m (5ft) apart to maintain left-right stereo separation.

Keep the speaker baffles at least 0.5m (20in) clear of walls. Having the speakers too close to walls increases the level of bass relative to the midrange and may give a boomy quality to the sound.

WARNING: The DM308 produces a static magnetic field that extends outside the cabinet boundary. As such The DM308 should not be placed within 0.5m (20in) of equipment that may be affected by such a field, e.g. Cathode Ray Tubes in TVs and Personal Computers.

FINE TUNING

Before fine tuning the installation, double check the polarity and security of the connections.

If the level of bass is uneven with frequency, this is usually due to strong excitation of resonance modes in the room.

Even small changes in the position of the speakers within the listening room can have a profound effect on the perceived sound quality by altering the excitation of these modes. Try mounting the speakers along a different wall. Even moving large pieces of furniture about can have an effect.

If the general level of bass is too high, try moving the speakers further away from the walls. Conversely, if you need more bass, move the speakers closer to the walls. Space behind the speakers also improves the impression of perspective on well recorded material.

If the central image is poor, try moving the speakers closer together or toeing them in so they point at or just in front of the listening area (figure 4).

If the sound is too harsh, increase the amount of soft furnishing in the room. For example, use heavier curtains. Conversely reduce the amount of soft furnishing if the sound is dull and lifeless.

Test for flutter echoes by clapping your hands and listening for rapid repetitions. These can smear the sound, but may be reduced by irregular shaped surfaces such as bookshelves and large pieces of furniture.

Ensure the speakers stand firmly on the floor. Whenever possible fit the spike feet supplied after you have optimised the positioning. These are designed to pierce through carpeting to the floor surface. Initially, screw the lock nuts fully onto the spikes and screw the spikes fully into the threaded inserts in the base of the cabinet. If the cabinet rocks, unscrew the two spikes that do not touch the floor equally until the cabinet sits firmly on the floor, and lock them in place by tightening the lock nuts against the cabinet. If there is no carpet and you wish to avoid scratching the floor surface, use a protective disc between the spike and the floor.

AFTERCARE

The vinyl veneers normally only require dusting. If you wish to use an aerosol cleaner, remove the grille first by gently pulling it away from the cabinet. Spray onto the cleaning cloth, not directly onto the cabinet. The grille fabric may be cleaned with a normal clothes brush after removing the grille from the cabinet.

Avoid touching the drive units, especially the tweeter, as damage may result.

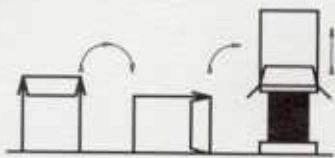


FIGURE 1

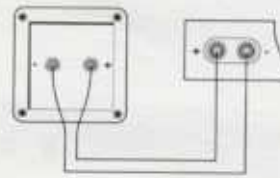


FIGURE 2

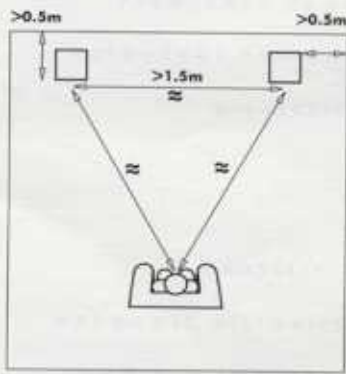


FIGURE 3

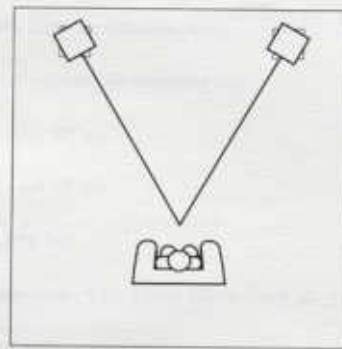


FIGURE 4





DM308

DESCRIPTION: 3-way 4th-order vented-box system

DRIVE UNITS: 2x 165mm (6.5 in) Homogeneous fibre bass/mid
1x 26mm (1in) soft dome high-frequency

FREQUENCY RANGE: -6dB at 39Hz and 22kHz

FREQUENCY RESPONSE: 48Hz - 20kHz \pm 3dB on reference axis

DISPERSION: Within 2dB of response on reference axis

Horizontal: over 40° arc

Vertical: over 10° arc

SENSITIVITY: 91dB spl (2.83V, 1m)

HARMONIC DISTORTION: 2nd & 3rd harmonics <1% 50Hz - 20kHz (90dB spl, 1m)

NOMINAL IMPEDANCE: 8 Ω (minimum 4 Ω)

CROSSOVER FREQUENCIES: 450Hz, 3kHz

RECOMMENDED AMPLIFIER POWER: 25W-150W continuous into 8 Ω on unclipped programme.

MAX. RECOMMENDED CABLE IMPEDANCE: 0.2 Ω

DIMENSIONS: Height: 1026mm (40 1/4 in)

Width: 217mm (8 1/2 in)

Depth: 308mm (12 1/4 in)

NET WEIGHT: 14kg (31 lb)

FINISH: Cabinet: Black Ash vinyl

Grille: Black Cloth



LISTEN AND YOU'LL SEE

B&W Loudspeakers Ltd. reserves the right to amend specifications without notice in line with technical developments.

Copyright © B&W Loudspeakers Ltd.

B&W Loudspeakers Ltd., Meadow Road, Worthing, BN11 2RX, England Tel: +44 (0) 1903 524801 Fax: +44 (0) 1903 524725 <http://www.bwspeakers.com>

B&W Loudspeakers (Asia) Ltd, Flat U, 11F Camelpoint Building, Block 111, 60 Hoi Yuen Road, Kwun Ton, Kowloon, Hong Kong.

B&W Loudspeakers of America, 54 Concord Street, North Reading, M.A. 01864-2699.

Download from www.Somanuals.com. All Manuals Search And Download.

Printed in England.

Free Manuals Download Website

<http://myh66.com>

<http://usermanuals.us>

<http://www.somanuals.com>

<http://www.4manuals.cc>

<http://www.manual-lib.com>

<http://www.404manual.com>

<http://www.luxmanual.com>

<http://aubethermostatmanual.com>

Golf course search by state

<http://golfingnear.com>

Email search by domain

<http://emailbydomain.com>

Auto manuals search

<http://auto.somanuals.com>

TV manuals search

<http://tv.somanuals.com>