



Illustrated Parts List

Model Series

21A400

TYPE NUMBERS
0017 through 0701.

TABLE OF CONTENTS

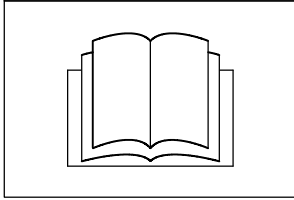
| | |
|-----------------------------------|---|
| Alternator | 8 |
| Blower Housing/Shrouds | 6 |
| Camshaft | 2 |
| Carburetor | 4 |
| Controls | 7 |
| Crankcase Cover | 2 |
| Crankshaft | 2 |
| Cylinder | 2 |
| Cylinder Head | 3 |
| Electric Starter | 8 |
| Exhaust System | 5 |
| Flywheel | 6 |
| Fuel Supply | 8 |
| Gasket Set - Engine | 3 |
| Gasket Set - Valve | 3 |
| Governor Spring | 7 |
| Ignition | 8 |
| Kit - Carburetor Overhaul | 4 |
| Lubrication | 2 |
| Operator's Manual | 2 |
| Piston/Rings/Connecting Rod | 2 |
| Rewind Starter | 6 |
| Valves | 3 |
| Warning Label | 2 |



PRINTED IN U.S.A.

COPYRIGHT by BRIGGS & STRATTON CORPORATION
All rights reserved. No part of this material may be reproduced or transmitted, in any form or by any means, electronic or mechanical, including photocopying, recording or by any information storage and retrieval system, without permission in writing from Briggs & Stratton Corporation.

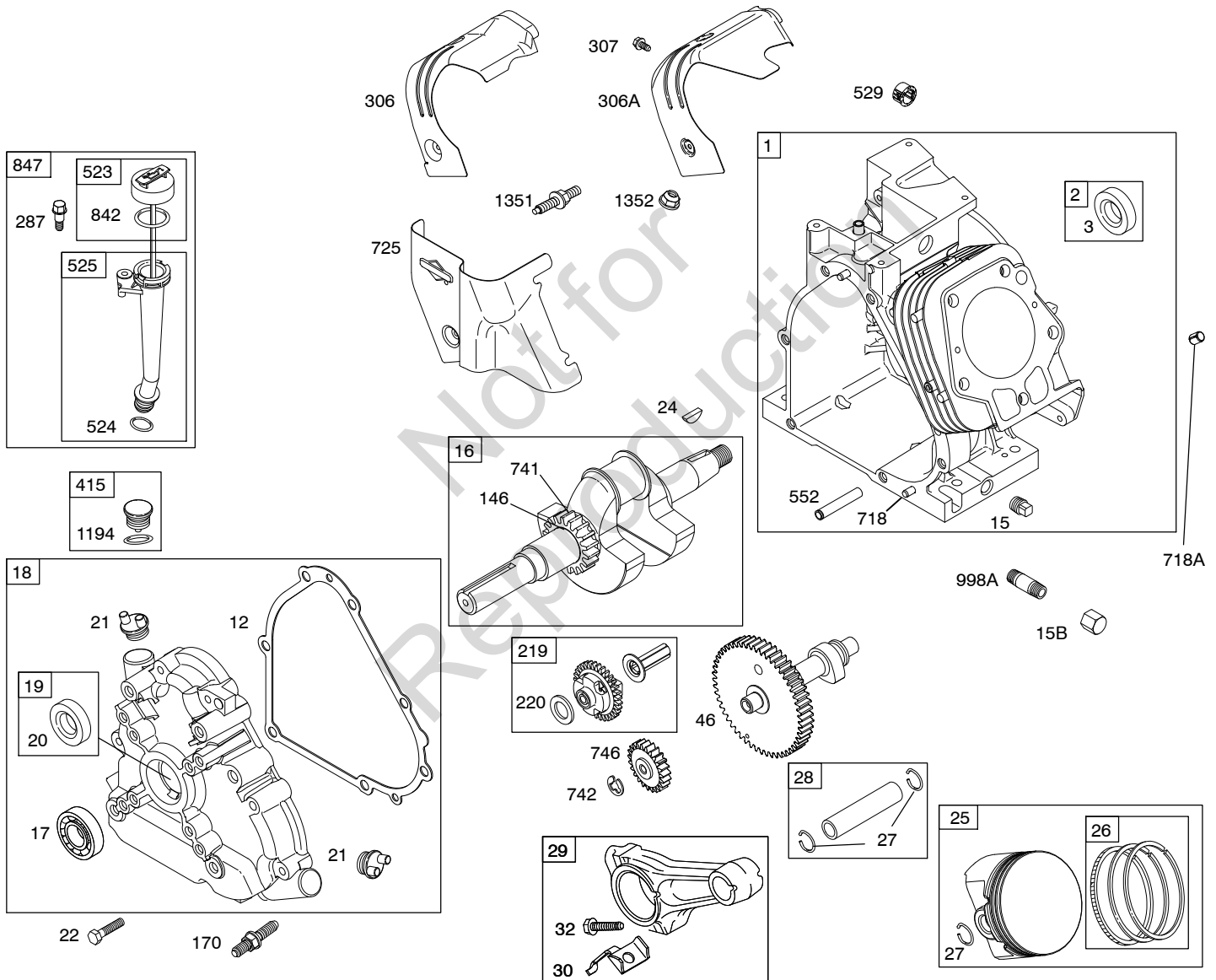
1058 OPERATOR'S MANUAL



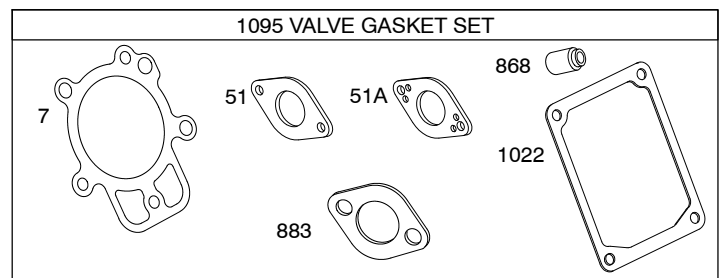
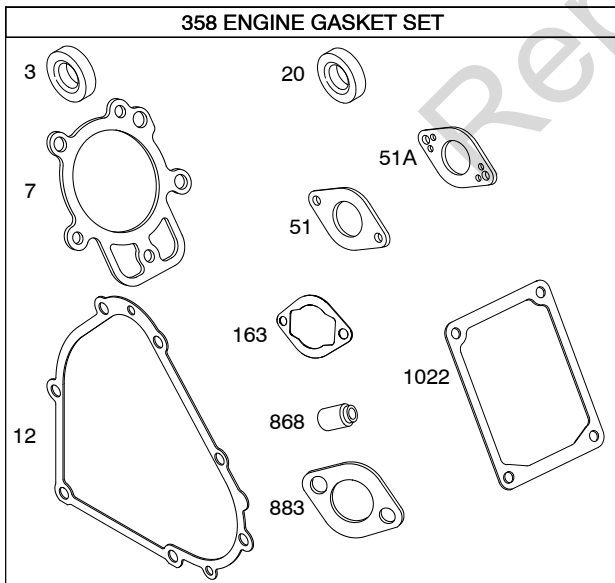
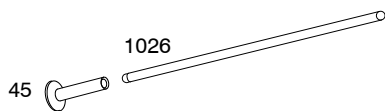
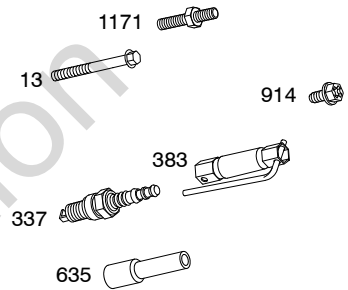
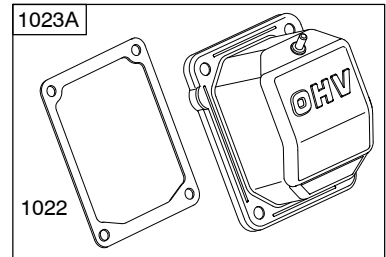
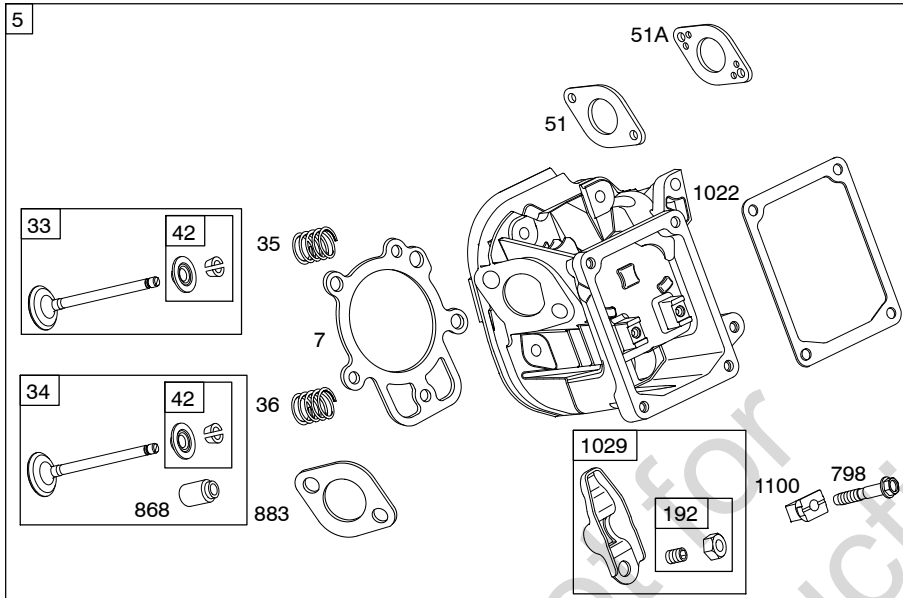
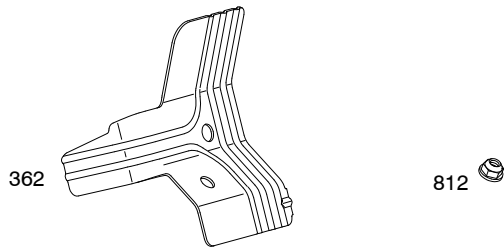
1319 WARNING LABEL

| | |
|----------------|--|
| WARNING | |
| | Read and follow Operating Instructions before running engine. |
| | Gasoline is flammable. Allow engine to cool at least 2 minutes before refueling. |
| | Engines emit carbon monoxide, DO NOT run in enclosed area. |
| | Muffler area temperature may exceed 150°F. Do not touch hot parts. |

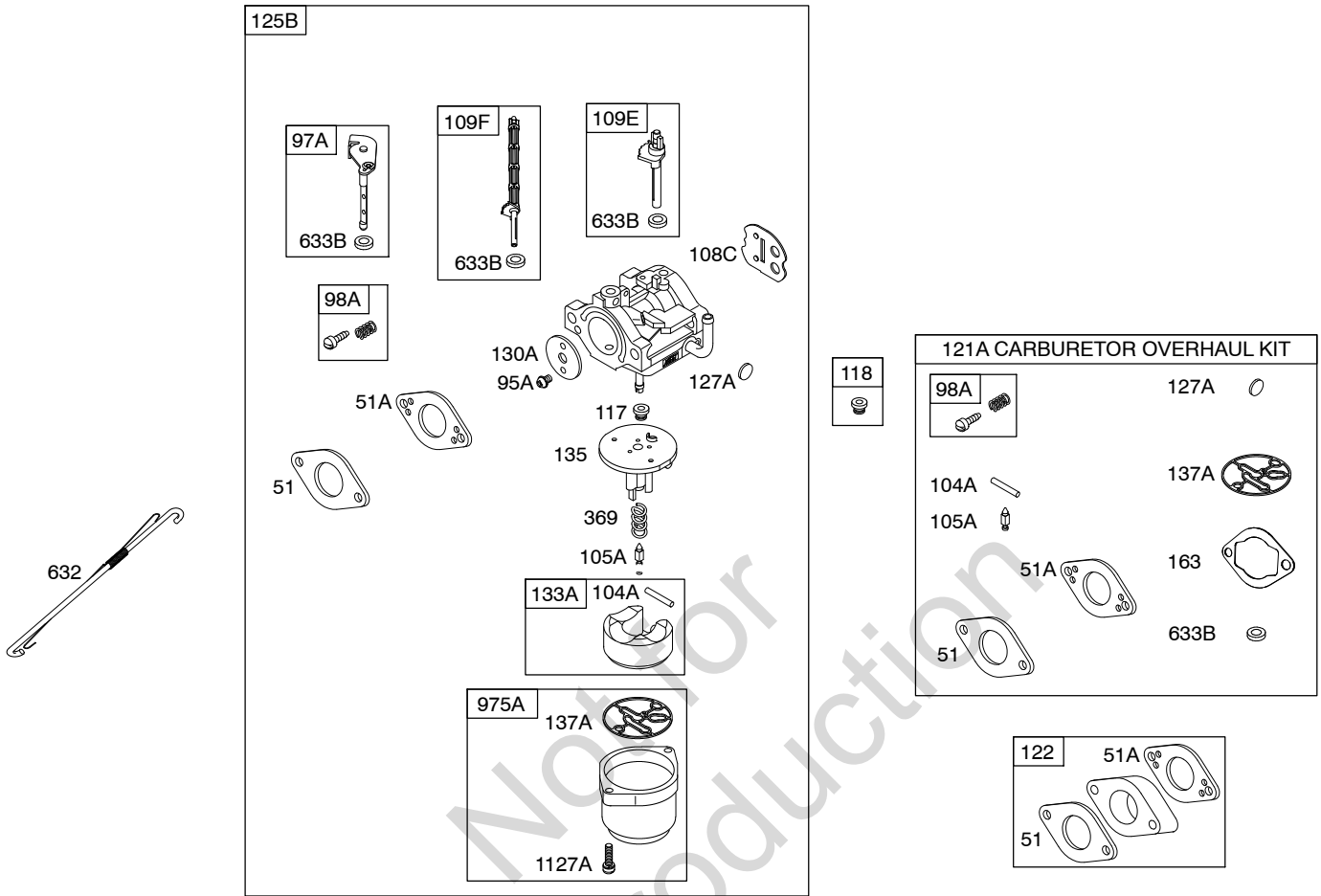
REQUIRED when replacing parts with warning labels affixed.



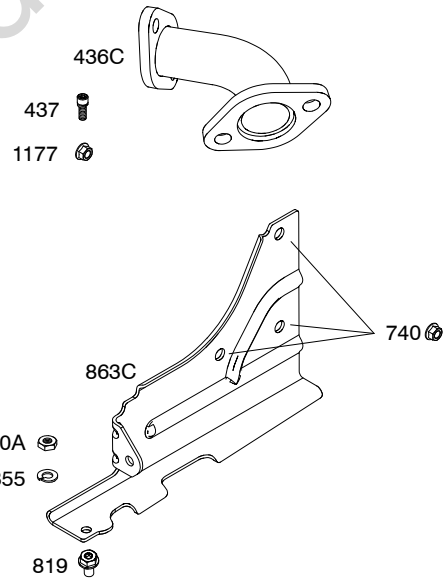
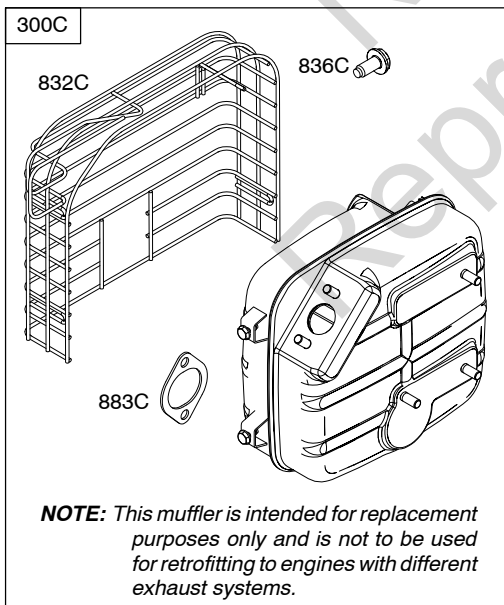
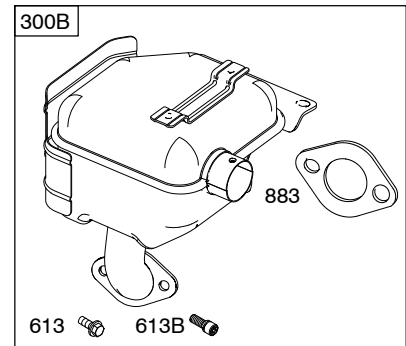
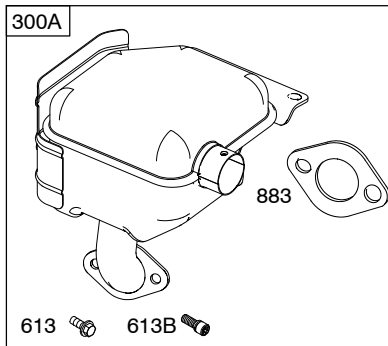
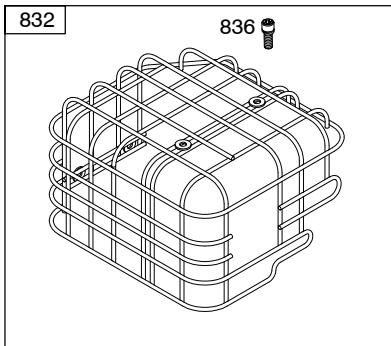
Illustrations cover a range of engines. Parts shown without corresponding text may not be used on your specific engine.
 5317-2 Assemblies include all parts shown in frames. 10/07/2008



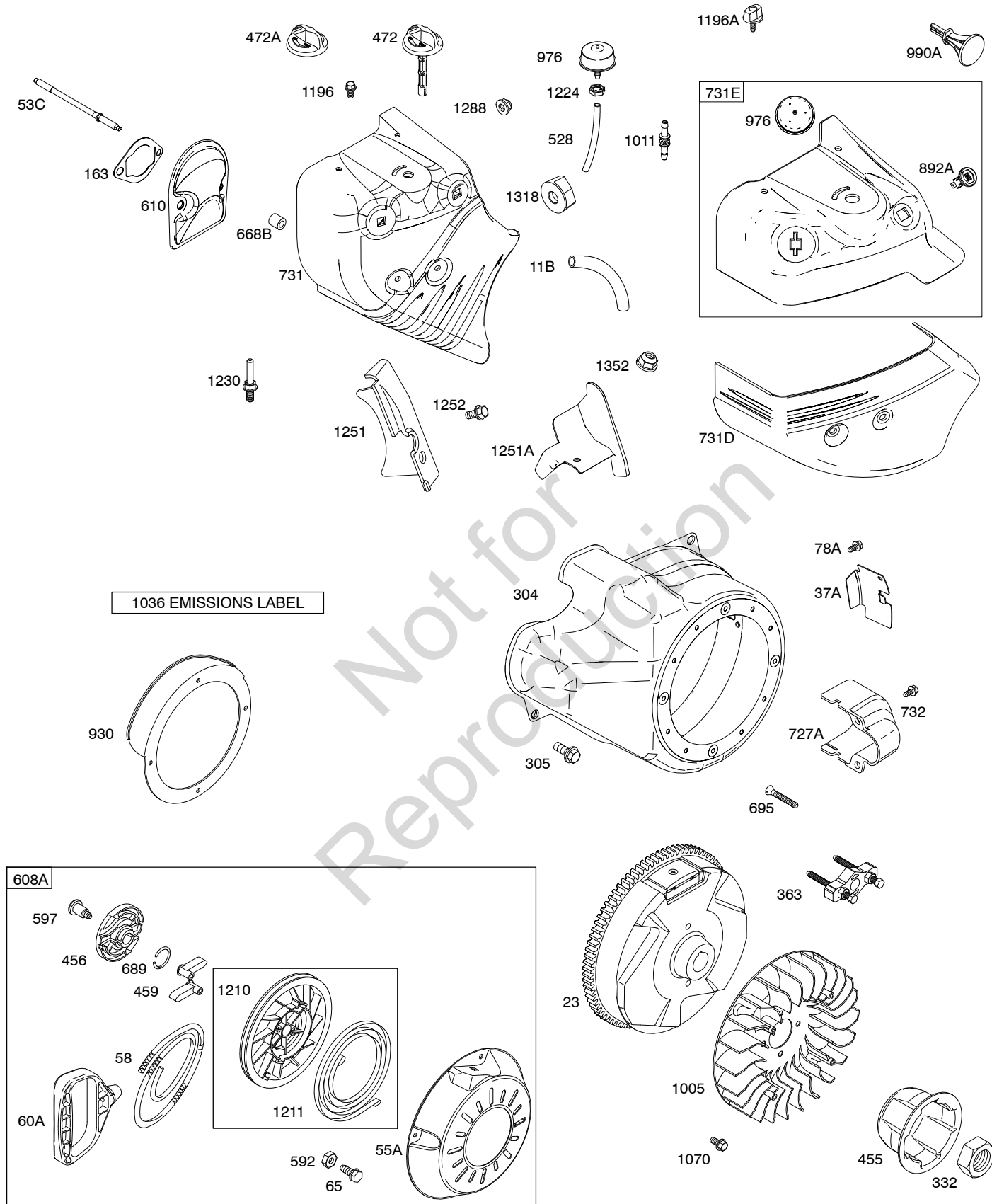
Illustrations cover a range of engines. Parts shown without corresponding text may not be used on your specific engine.
 5317-3 Assemblies include all parts shown in frames. 10/07/2008



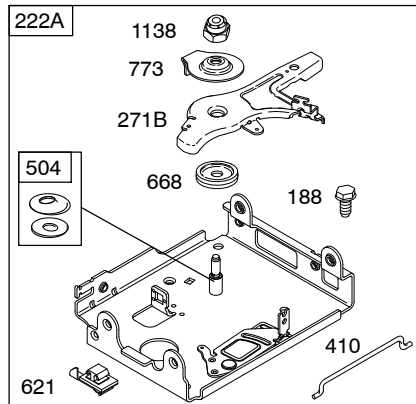
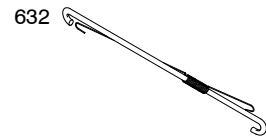
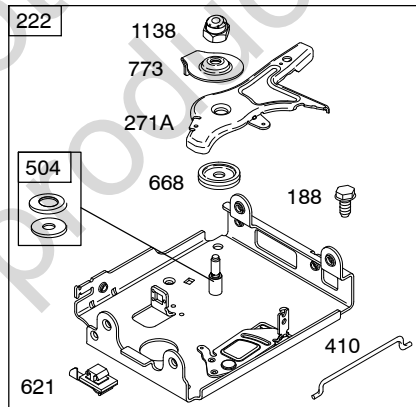
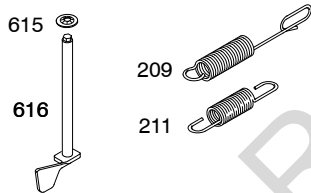
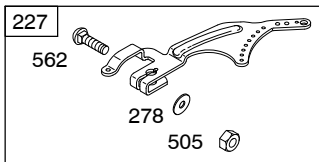
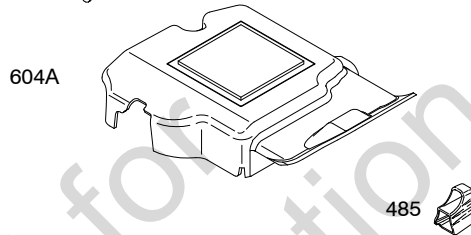
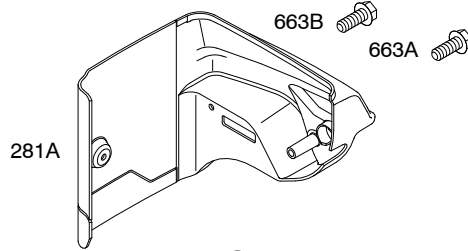
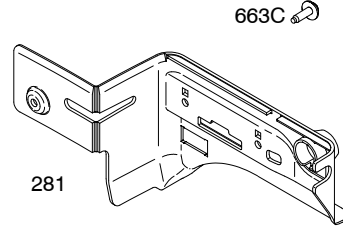
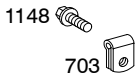
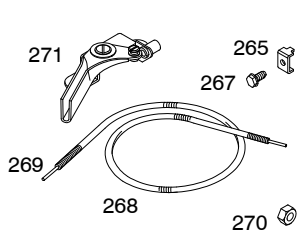
Illustrations cover a range of engines. Parts shown without corresponding text may not be used on your specific engine.
 5317-4 Assemblies include all parts shown in frames. 10/07/2008



21A400

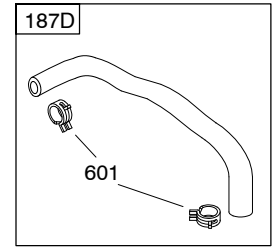
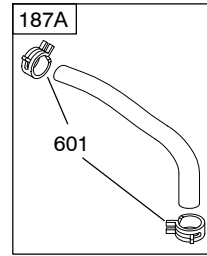
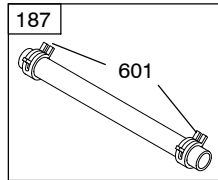
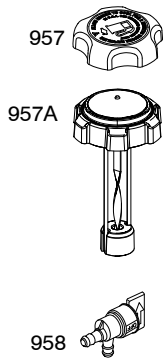
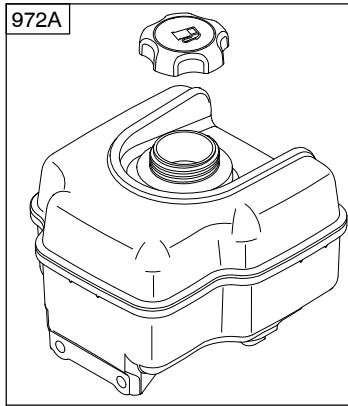


Illustrations cover a range of engines. Parts shown without corresponding text may not be used on your specific engine.
5317-6 Assemblies include all parts shown in frames. 10/07/2008

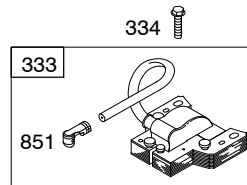
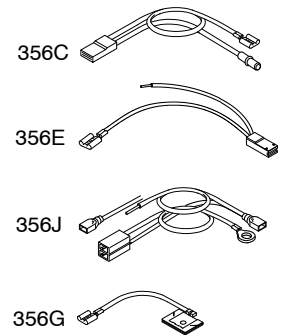
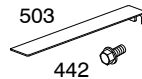
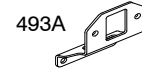
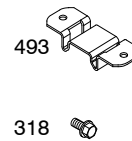
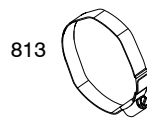
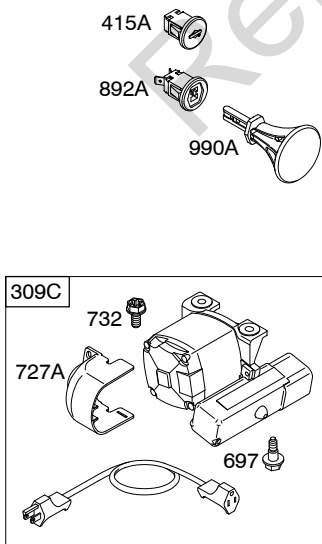
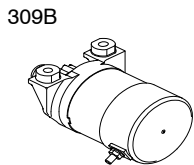
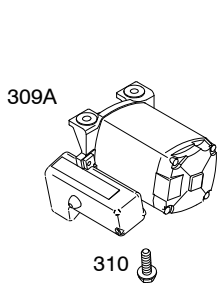


Illustrations cover a range of engines. Parts shown without corresponding text may not be used on your specific engine.
 5317-7 Assemblies include all parts shown in frames. 10/07/2008

21A400



| DC ONLY | DUAL CIRCUIT | 5 - 9 AMP | 10 - 16 AMP | 20 AMP | DUAL CIRCUIT |
|--|--------------|-----------|-------------|--------|--------------|
| 474A | 474B | 474C | 474D | 474E | 474H |
| | | | | | |
| <p>NOTE: All stators use a No. 1119 mounting screw.</p> <p>NOTE: The proper flywheel part number and/or the alternator magnet size will determine the alternator type or output. See repair instruction manual for additional information.</p> | | | | | |
| 526 501 | 526C 501C | 578 | 878 | | |



Illustrations cover a range of engines. Parts shown without corresponding text may not be used on your specific engine.
 5317-8 Assemblies include all parts shown in frames. 10/07/2008

| REF. NO. | PART NO. | DESCRIPTION | REF. NO. | PART NO. | DESCRIPTION | REF. NO. | PART NO. | DESCRIPTION |
|----------|----------|---|----------|----------|---|----------|----------|---|
| 1 | 793617 | Cylinder Assembly | 21 | 281658S | Cap-Oil Fill | 26 | 793319 | Ring Set (Standard) |
| 2 | 698340 | Kit-Bushing/Seal (Magneto Side) | 22 | 695174 | Screw (Crankcase Cover/Sump) | | | (Used After Code Date 06061800). |
| 3 | ★391086S | Seal-Oil (Magneto Side) | 23 | 695485 | Flywheel | | | ----- Note ----- |
| 5 | 793305 | Head-Cylinder | | | Used on Type No(s). 0017, 0019, 0100, 0105, 0111, 0112, 0113, 0115, 0117, 0119, 0133, 0134, 0135, 0136, 0163, 0164, 0166, 0168, 0205, 0215, 0371, 0540, 0701. | | | 697692 Ring Set (Standard) |
| 7 | ★△697690 | Gasket-Cylinder Head | | | | | | (Used Before Code Date 06061900). |
| 11B | 696750 | Tube-Breather | | | | | | 697697 Ring Set (.010" Oversize) |
| 12 | ★694953 | Gasket-Crankcase | | | | | | (Used Before Code Date 06061900). |
| 13 | 690360 | Screw (Cylinder Head) | | | | | | 793324 Ring Set (.020" Oversize) |
| 15 | 691686 | Plug-Oil Drain (Square Head) | | | | | | (Used After Code Date 06061800). |
| 15B | 695757 | Plug-Oil Drain | | | | | | 697698 Ring Set (.020" Oversize) |
| 16 | 794716 | Crankshaft | | | | | | (Used Before Code Date 06061900). |
| | | Used on Type No(s). 0019, 0100, 0105. | | | | | | 697699 Ring Set (.030" Oversize) |
| | | ----- Note ----- | | | | | | (Used Before Code Date 06061900). |
| | 794720 | Crankshaft | 24 | 222698S | Key-Flywheel | | | |
| | | Used on Type No(s). 0017, 0112, 0113, 0115, 0117, 0119, 0133, 0134, 0135, 0136, 0163, 0164, 0166, 0168, 0205, 0215, 0371, 0540, 0701. | 25 | 793794 | Piston Assembly (Standard) | | | |
| | 794717 | Crankshaft | | | | | | 697699 Ring Set (.030" Oversize) |
| | | Used on Type No(s). 0111, 0116. | | | | | | (Used Before Code Date 06102900). |
| 17 | 695434 | Bearing-Ball | | | | | | ----- Note ----- |
| 18 | 791412 | Cover-Crankcase | | | | | | 793318 Piston Assembly (Standard) |
| | | Used on Type No(s). 0111, 0116. | | | | | | (Used Before Code Date 06103000). |
| | | ----- Note ----- | | | | | | 697694 Piston Assembly (.010" Oversize) |
| | 791965 | Cover-Crankcase | | | | | | (Used Before Code Date 06103000). |
| | | Used on Type No(s). 0017, 0019, 0100, 0105, 0112, 0113, 0115, 0117, 0119, 0133, 0134, 0135, 0136, 0163, 0164, 0166, 0168, 0205, 0215, 0371, 0540, 0701. | | | | | | 793797 Piston Assembly (.020" Oversize) |
| 19 | 698340 | Kit-Bushing/Seal (PTO Side) | | | | | | (Used After Code Date 06102900). |
| 20 | ★391086S | Seal-Oil (PTO Side) | | | | | | 697695 Piston Assembly (.020" Oversize) |
| | | | | | | | | (Used Before Code Date 06103000). |
| | | | | | | | | 697696 Piston Assembly (.030" Oversize) |
| | | | | | | | | (Used Before Code Date 06103000). |
| | | | | | | | | 27 690975 Lock-Piston Pin |
| | | | | | | | | 28 696581 Pin-Piston |
| | | | | | | | | 29 694691 Rod-Connecting |
| | | | | | | | | 30 694692 Dipper-Connecting Rod |
| | | | | | | | | 32 690976 Screw (Connecting Rod) |
| | | | | | | | | 33 499596 Valve-Exhaust |
| | | | | | | | | 34 795199 Valve-Intake |
| | | | | | | | | 35 694865 Spring-Valve (Intake) |
| | | | | | | | | 36 694865 Spring-Valve (Exhaust) |
| | | | | | | | | 37A 699047 Guard-Flywheel |
| | | | | | | | | 42 499586 Keeper-Valve |
| | | | | | | | | 45 690977 Tappet-Valve |
| | | | | | | | | 46 790958 Camshaft |
| | | | | | | | | 51 ★△694874 Gasket-Intake |
| | | | | | | | | 51A ★△694875 Gasket-Intake |
| | | | | | | | | 53C 794542 Stud (Carburetor) |
| | | | | | | | | 55A 696710 Housing-Rewind Starter |
| | | | | | | | | 58 693389 Rope-Starter Cut to Required Length) |

★ Included in Engine Gasket Set-Ref. No. 358.

△ Included in Valve Gasket Set-Ref. No. 1095.

● Included in Carburetor Overhaul Kit-Ref. No. 121A.

Illustrations cover a range of engines. Parts shown without corresponding text may not be used on your specific engine.

21A400

| REF. NO. | PART NO. | DESCRIPTION | REF. NO. | PART NO. | DESCRIPTION | REF. NO. | PART NO. | DESCRIPTION |
|----------|----------|--|----------|----------|--|------------------|--|--|
| 60A | 699334 | Grip-Starter Rope | 188 | 690877 | Screw (Control Bracket) | 281 | 697268 | Panel-Control |
| 65 | 697725 | Screw (Rewind Starter) | 190 | 692127 | Screw (Fuel Tank) | 281A | 697400 | Panel-Control (Used After Code Date 01102800). |
| 78A | 695724 | Screw (Flywheel Guard) | 192 | 690083 | Adjuster-Rocker Arm | ----- Note ----- | | |
| 95A | 690718 | Screw (Throttle Valve) | 209 | 694867 | Spring-Governor | 696703 | Panel-Control (Used Before Code Date 01102900). | |
| 97A | 696387 | Shaft-Throttle | 211 | 695307 | Spring-Governor Idle | 698081 | Panel-Control Used on Type No(s). 0134, 0163, 0164, 0205, 0371, 0701. | |
| 98A | 695408 | Kit-Idle Speed | 220 | 691724 | Washer (Governor Gear) | | | |
| 104A | 694918 | Pin-Float Hinge | 222 | 698161 | Bracket-Control Used on Type No(s). 0111, 0116. | 287 | 691693 | Screw (Dipstick/Tube) |
| 105A | 696136 | Valve-Float Needle | 222A | 698034 | Bracket-Control Used on Type No(s). 0017, 0019, 0100, 0105, 0112, 0113, 0115, 0117, 0119, 0133, 0134, 0135, 0136, 0163, 0164, 0166, 0168, 0205, 0215, 0371, 0540, 0701. | 300A | 794694 | Muffler Used on Type No(s). 0019, 0100, 0134. |
| 108C | 696736 | Valve-Choke | 227 | 694864 | Lever-Governor Control | 300B | 794695 | Muffler ----- Note ----- 794695 Muffler (Used After Code Date 03033000). Used on Type No(s). 0111. |
| 109E | 696735 | Shaft-Choke | 265 | 691024 | Clamp-Casing Used on Type No(s). 0111, 0116. | 794695 | Muffler (Used After Code Date 03041300). Used on Type No(s). 0112, 0113, 0163, 0164, 0205. | |
| 109F | 793162 | Shaft-Choke | 267 | 692577 | Screw (Casing Clamp) | 698160 | Muffler (Used Before Code Date 03033100). Used on Type No(s). 0111. | |
| 117 | 696134 | Jet-Main (Standard) | 268 | 691025 | Casing-Control Wire (Cut to Required Length) | 698160 | Muffler (Used Before Code Date 03041400). Used on Type No(s). 0112, 0113, 0163, 0164, 0205. | |
| 118 | 696135 | Jet-Main (High Altitude) | 269 | 691026 | Wire-Control (Cut to Required Length) | 300C | 793701 | Muffler (This muffler is intended for replace- ment purposes only and is not to be used for retrofitting to engines with different exhaust systems) |
| 121A | 696146 | Kit-Carburetor Overhaul (Nikki Carburetor) | 270 | 691027 | Nut (Control Wire Casing) | | | |
| 122 | 694876 | Spacer-Carburetor | 271 | 691028 | Lever-Control | | | |
| 125B | 794593 | Carburetor | 271A | 695381 | Lever-Control Used on Type No(s). 0111, 0116. | | | |
| 127A | 690727 | Plug-Welch | 271B | 698035 | Lever-Control | | | |
| 130A | 696139 | Valve-Throttle | 278 | 792008 | Washer (Governor Control Lever) | | | |
| 133A | 694914 | Float-Carburetor | | | | | | |
| 135 | 696142 | Tube-Fuel Transfer | | | | | | |
| 137A | 695426 | Gasket-Float Bowl | | | | | | |
| 146 | 690979 | Key-Timing | | | | | | |
| 163 | 692277 | Gasket-Air Cleaner | | | | | | |
| 170 | 695296 | Stud (Crankcase Cover/ Sump) | | | | | | |
| 187 | 791766 | Line-Fuel (15 Inches Long) (Cut To Required Length) | | | | | | |
| 187A | 791869 | Line-Fuel (Used After Code Date 05063000). ----- Note ----- 695429 Line-Fuel (Used Before Code Date 05070100). | | | | | | |
| 187D | 791879 | Line-Fuel (Used After Code Date 05063000). ----- Note ----- 698080 Line-Fuel (Used Before Code Date 05070100). | | | | | | |

★ Included in Engine Gasket Set-Ref. No. 358.

● Included in Carburetor Overhaul Kit-Ref. No. 121A.

△ Included in Valve Gasket Set-Ref. No. 1095.

Illustrations cover a range of engines. Parts shown without corresponding text may not be used on your specific engine.
5317-10 Assemblies include all parts shown in frames. 10/07/2008

| REF. NO. | PART NO. | DESCRIPTION | REF. NO. | PART NO. | DESCRIPTION | REF. NO. | PART NO. | DESCRIPTION |
|----------|----------|---|----------|----------|---|----------|----------|--|
| 304 | 791478 | Housing-Blower ----- Note ----- 699339 Housing-Blower Used on Type No(s). 0111, 0116. | 337 | 491055S | Plug-Spark Used on Type No(s). 0017, 0019, 0100, 0111, 0112, 0115, 0116, 0134, 0163, 0164, 0205, 0371, 0540. | 442 | 790282 | Screw (Starter Strap) |
| 305 | 691108 | Screw (Blower Housing) | | | | 455 | 697226 | Cup-Flywheel |
| 306 | 697240 | Shield-Cylinder (Used After Code Date 01102800). | | | | 456 | 692299 | Plate-Pawl Friction |
| 306A | 694677 | Shield-Cylinder (Used Before Code Date 01102900). | | | | 459 | 281505S | Pawl-Ratchet |
| 307 | 691660 | Screw (Cylinder Shield) | | | | 472 | 696752 | Knob-Choke Shaft |
| 309A | 793524 | Motor-Starter Used on Type No(s). 0017, 0134, 0205, 0540. ----- Note ----- 792157 Motor-Starter Used on Type No(s). 0133, 0135, 0136, 0163, 0164, 0166, 0168, 0215, 0371, 0701. | 355 | 691075 | Washer (Muffler Bracket) | 472A | 791958 | Knob-Choke Shaft |
| | | | 356C | 698165 | Wire Stop | 474A | 695730 | Alternator (DC Only) Used on Type No(s). 0134, 0163, 0164. ----- Note ----- 791743 Alternator Used on Type No(s). 0136, 0540, 0701. |
| | | | 356E | 699340 | Wire-Stop | 474B | 696742 | Alternator (Dual Circuit) Used on Type No(s). 0019. |
| | | | 356G | 696748 | Wire-Stop | 474C | 698314 | Alternator (Dual Circuit) Used on Type No(s). 0112, 0113, 0115, 0117, 0119, 0133, 0135, 0166, 0168, 0215. |
| | | | 356J | 793206 | Wire-Stop | | | |
| | | | 358 | 795201 | Gasket Set-Engine | 474D | 695466 | Alternator (10Amp) Used on Type No(s). 0111. |
| | | | 362 | 698041 | Shield-Spark Plug (Used After Code Date 02051200). ----- Note ----- 696759 Shield-Spark Plug (Used Before Code Date 02051300). | 474E | 793658 | Alternator (20 Amp) Used on Type No(s). 0116. |
| 309B | 698162 | Motor-Starter Used on Type No(s). 0111, 0116. | 363 | 19203 | Puller-Flywheel | 474H | 698230 | Alternator (Dual Circuit) Used on Type No(s). 0017, 0134, 0205, 0371. |
| 309C | 698311 | Motor-Starter Used on Type No(s). 0112, 0115, 0117, 0119. | 369 | 695422 | Spring-Float Bowl | 485 | 695755 | Knob-Control |
| 310 | 698113 | Screw (Starter Motor) | 383 | 19374S | Wrench-Spark Plug | 493 | 691177 | Bracket-Mounting |
| 318 | 690372 | Screw (Mounting Bracket) | 410 | 695382 | Link-Control | 493A | 699048 | Bracket-Mounting Used on Type No(s). 0113. |
| 332 | 694685 | Nut (Flywheel) | 415 | 691363 | Plug Used on Type No(s). 0100, 0105. | | | |
| 333 | 492341 | Armature-Magneto | 415A | 699337 | Plug Used on Type No(s). 0111, 0116. | | | |
| 334 | 691061 | Screw (Magneto Armature) | 436C | 792374 | Manifold-Exhaust | | | |
| | | | 437 | 696705 | Screw (Exhaust Manifold) | | | |

★ Included in Engine Gasket Set-Ref. No. 358.

● Included in Carburetor Overhaul Kit-Ref. No. 121A.

△ Included in Valve Gasket Set-Ref. No. 1095.

Illustrations cover a range of engines. Parts shown without corresponding text may not be used on your specific engine.

5317-11

Assemblies include all parts shown in frames.

10/07/2008

21A400

| REF. NO. | PART NO. | DESCRIPTION | REF. NO. | PART NO. | DESCRIPTION | REF. NO. | PART NO. | DESCRIPTION |
|----------|----------|---|----------|----------|--|----------|----------|--|
| 501 | 698315 | Regulator Used on Type No(s). 0112, 0113, 0115, 0117, 0119, 0133, 0135, 0166, 0168, 0215. | 601 | 791850 | Clamp-Hose | 703 | 698320 | Clip |
| 501C | 793660 | Regulator Used on Type No(s). 0116. | 604A | 696758 | Cover-Control | 718 | 690959 | Pin-Locating (Cylinder) |
| 503 | 698318 | Strap-Starter | 608A | 699335 | Starter-Rewind | 718A | 695178 | Pin-Locating (Head) |
| 504 | 695383 | Washer Set-Friction | 610 | 794541 | Arrester-Intake | 725 | 696756 | Shield-Heat (Control Bracket) |
| 505 | 691251 | Nut (Governor Control Lever) | 613 | 695312 | Screw (Muffler)(3/4" Long) ----- Note ----- | 727A | 697465 | Cover-Starter Drive |
| 523 | 695344 | Dipstick | 613B | 696705 | Screw (Muffler) (Torx Head) | 731 | 794591 | Hood-Snow |
| 524 | 691876 | Seal-Dipstick Tube | 615 | 694676 | Retainer-Governor Shaft | 731D | 794550 | Hood-Snow |
| 525 | 695343 | Tube-Dipstick | 616 | 694675 | Crank-Governor | 731E | 793174 | Hood-Snow |
| 526 | 690297 | Screw (Regulator) Used on Type No(s). 0112, 0113, 0115, 0117, 0119, 0133, 0135, 0166, 0168, 0215. | 621 | 692310 | Switch-Stop | 732 | 691097 | Screw (Starter Drive Cover) |
| 526C | 690326 | Screw (Regulator) Used on Type No(s). 0116. | 632 | 695917 | Link-Throttle (Used With Nikki Carburetor) | 740 | 710090 | Nut (Muffler Bracket) |
| 528 | 793006 | Hose-Primer (Cut to Required Length) | 633B | 690998 | Seal-Choke/Throttle Shaft | 740A | 793859 | Nut (Muffler Bracket) |
| 529 | 791822 | Grommet | 635 | 691909 | Boot-Spark Plug | 741 | 691288 | Gear-Timing |
| 552 | 694674 | Bushing-Governor Crank | 663A | 696685 | Screw (Control Panel) | 742 | 692564 | Retainer-E Ring |
| 562 | 793216 | Bolt (Governor Control Lever) | 663B | 696704 | Screw (Control Panel) | 746 | 694679 | Gear-Idler |
| 564 | 696692 | Screw (Control Cover) | 663C | 790282 | Screw (Control Panel) | 773 | 694258 | Retainer |
| 578 | 692306 | Wire Assembly | 668 | 694257 | Spacer (Control Bracket) | 798 | 697890 | Screw (Rocker Arm) |
| 579 | 691029 | Nut Used on Type No(s). 0111, 0116. | 668B | 794539 | Spacer (Snow Hood) | 812 | 696757 | Nut (Rocker Cover) |
| 597 | 691696 | Screw (Pawl Friction Plate) | 676C | 697816 | Deflector-Muffler | 813 | 690635 | Clamp |
| | | | 676D | 794213 | Deflector-Muffler | 819 | 690352 | Screw (Muffler Bracket) |
| | | | 677 | 691660 | Screw (Muffler Deflector) | 832 | 699223 | Guard-Muffler Used on Type No(s). 0017, 0105, 0111, 0112, 0113, 0116, 0133, 0135, 0136, 0163, 0164, 0166, 0168, 0205, 0215, 0371, 0540, 0701. |
| | | | 689 | 691855 | Spring-Friction | 832C | 792380 | Guard-Muffler |
| | | | 695 | 698807 | Screw (Ring Gear) | 836 | 691003 | Screw (Muffler Guard) |
| | | | 697 | 698113 | Screw (Starter Motor) Used on Type No(s). 0017, 0019, 0111, 0112, 0115, 0116, 0117, 0119, 0133, 0134, 0135, 0136, 0163, 0164, 0166, 0168, 0205, 0215, 0371, 0540, 0701. | 836C | 710023 | Screw (Muffler Guard) |

★ Included in Engine Gasket Set-Ref. No. 358.

△ Included in Valve Gasket Set-Ref. No. 1095.

● Included in Carburetor Overhaul Kit-Ref. No. 121A.

Illustrations cover a range of engines. Parts shown without corresponding text may not be used on your specific engine.

5317-12

Assemblies include all parts shown in frames.

10/07/2008

| REF. NO. | PART NO. | DESCRIPTION | REF. NO. | PART NO. | DESCRIPTION | REF. NO. | PART NO. | DESCRIPTION |
|----------|----------|--|----------|-----------|--|----------|----------|---------------------------------------|
| 842 | 691031 | Seal-O Ring (Dipstick Tube) | 990A | 695756 | Key Set | 1127A | 695407 | Screw (Float Bowl) |
| 847 | 695342 | Dipstick/Tube Assembly | 998 | 696683 | Pipe-Oil | 1138 | 694255 | Nut (Control Bracket) |
| 851 | 692424 | Terminal-Spark Plug | 1005 | 694684 | Fan-Flywheel | 1148 | 698418 | Screw (Clip) |
| 863C | 793700 | Bracket-Muffler | 1011 | 794544 | Tube-Vent | 1171 | 696754 | Stud (Rocker Cover) |
| 868 | ★Δ794086 | Seal-Valve | 1022 | ★Δ690971 | Gasket-Rocker Cover | 1177 | 710090 | Nut (Muffler) |
| 878 | 398661 | Harness-Alternator | 1023A | 698042 | Cover-Rocker (Used After Code Date 02051200). | 1194 | 691876 | Seal-O Ring (Plug) |
| 883 | ★Δ698398 | Gasket-Exhaust | | | ----- Note ----- 697438 Cover-Rocker (Used Before Code Date 02051300). | 1196 | 699166 | Screw (Snow Hood) |
| 883C | 710250 | Gasket-Exhaust | 1026 | 695177 | Rod-Push | 1196A | 696692 | Screw (Snow Hood) (Black) |
| 892A | 791944 | Switch-Key | 1029 | 690972 | Arm-Rocker | 1210 | 498144 | Pulley/Spring Assembly (Pulley) |
| 914 | 693732 | Screw (Rocker Cover) | 1036 | | Label-Emissions (Available From A Briggs & Stratton Authorized Dealer) | 1211 | 498144 | Pulley/Spring Assembly (Spring) |
| 930 | 696709 | Guard-Rewind | 1058 | 277104TRI | Manual-Operator's ----- Note ----- 277104WST Manual- Operator's Used on Type No(s). 0017, 0105, 0113, 0133, 0135, 0136, 0164, 0166, 0168, 0215. 277104EST Manual- Operator's Used on Type No(s). 0136, 0168. | 1224 | 696824 | Nut (Carburetor Primer) |
| 957 | 792647 | Cap-Fuel Tank (Plastic) Used on Type No(s). 0017, 0019, 0100, 0105, 0112, 0113, 0117, 0119, 0135, 0168, 0215. | | | | 1230 | 696747 | Stud (Control Bracket) |
| 957A | 698109 | Cap-Fuel Tank (Plastic) Used on Type No(s). 0111, 0116, 0133, 0134, 0136, 0163, 0164, 0166, 0205, 0371, 0540, 0701. | 1070 | 691058 | Screw (Flywheel Fan) | 1251 | 696762 | Shield-Snow |
| 958 | 698180 | Valve-Fuel Shut Off (Plastic) | 1095 | 795200 | Gasket Set-Vaslve | 1251A | 790471 | Shield-Snow |
| 972A | 694260 | Tank-Fuel (Plastic) | 1100 | 791959 | Pivot-Rocker Arm | 1252 | 691108 | Screw (Snow Shield) |
| 975A | 696138 | Bowl-Float | 1119 | 691183 | Screw (Alternator) | 1288 | 696757 | Nut (Snow Hood) |
| 976 | 793382 | Primer-Carburetor (Used After Code Date 07042600). ----- Note ----- 790221 Primer- Carburetor (Used Before Code Date 07042700 and After Code Date 04061500). 695750 Primer- Carburetor (Used Before Code Date 04061600). 793382 Primer- Carburetor Used on Type No(s). 0119, 0136, 0166, 0168. | | | | 1318 | 698111 | Knob-Snow Hood |
| | | | | | | 1319 | 794467 | Label-Warning |
| | | | | | | 1351 | 790017 | Stud (Cylinder Shield) |
| | | | | | | 1352 | 790026 | Nut (Spark Plug Shield) |

★ Included in Engine Gasket Set-Ref. No. 358.

Δ Included in Valve Gasket Set-Ref. No. 1095.

● Included in Carburetor Overhaul Kit-Ref. No. 121A.

Illustrations cover a range of engines. Parts shown without corresponding text may not be used on your specific engine.

5317-13

Assemblies include all parts shown in frames.

10/07/2008

Not for
Reproduction

Not for
Reproduction

Not for
Reproduction



Free Manuals Download Website

<http://myh66.com>

<http://usermanuals.us>

<http://www.somanuals.com>

<http://www.4manuals.cc>

<http://www.manual-lib.com>

<http://www.404manual.com>

<http://www.luxmanual.com>

<http://aubethermostatmanual.com>

Golf course search by state

<http://golfingnear.com>

Email search by domain

<http://emailbydomain.com>

Auto manuals search

<http://auto.somanuals.com>

TV manuals search

<http://tv.somanuals.com>