

Broil King®

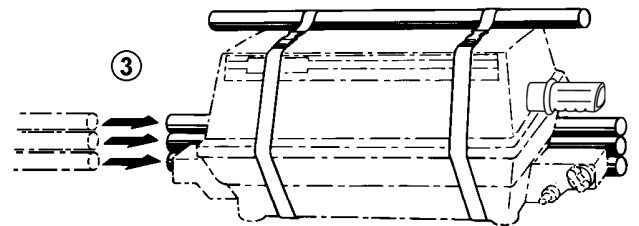
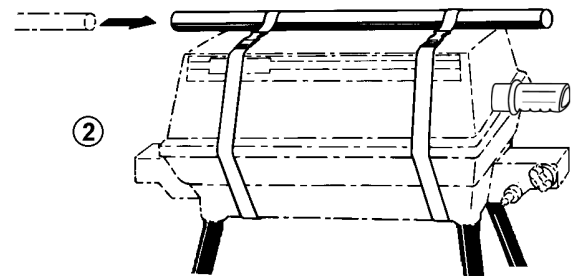
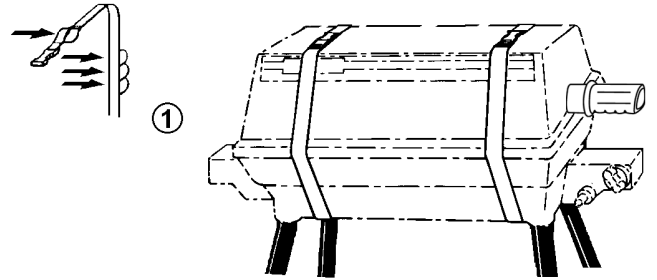
PORTA-CHEF BARBECUES

ASSEMBLY MANUAL & PARTS LIST

MANUEL DE MONTAGE & LISTE DE PIÈCES

Broil King

422-32
422-33
422-34



Broil King

422-62
422-63
422-64

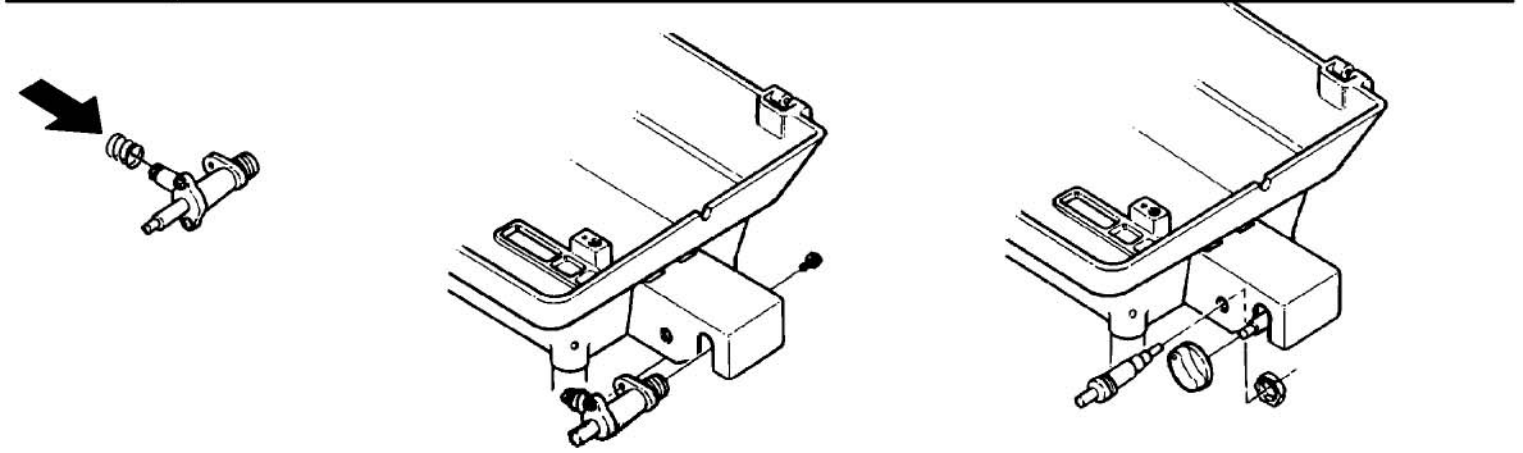
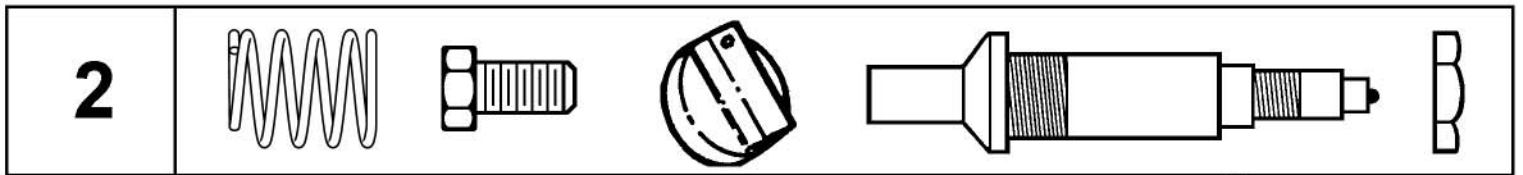
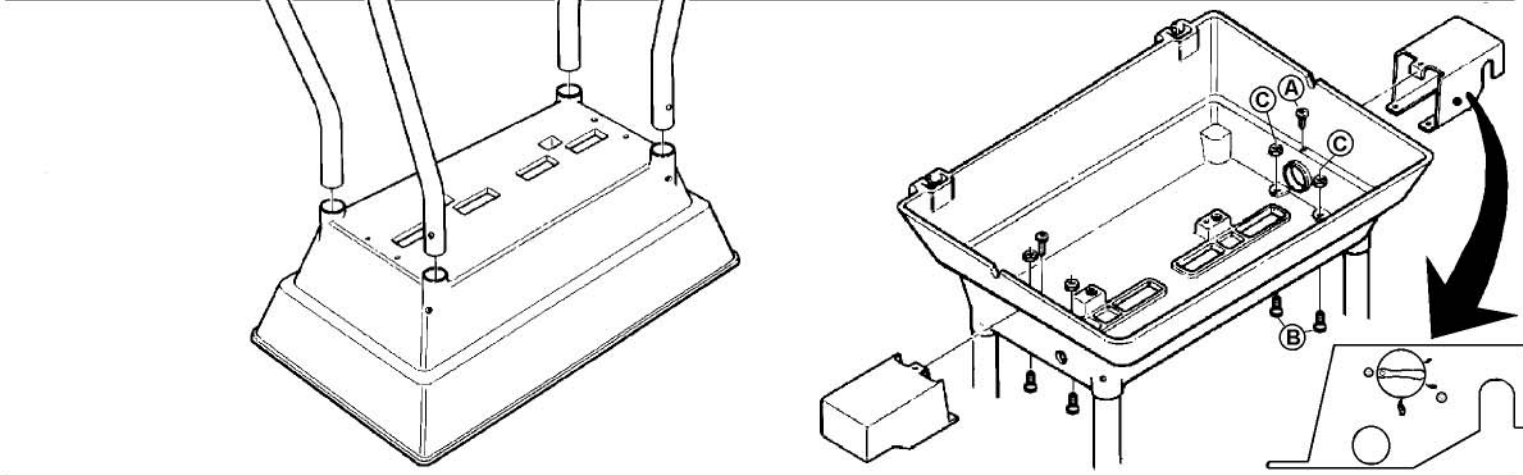


RETAIN FOR FUTURE REFERENCE

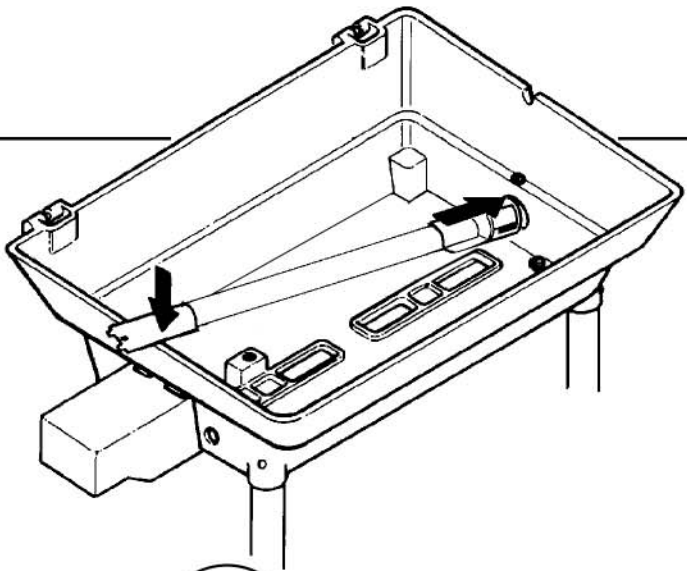
VEUILLEZ CONSERVER POUR REFERENCE ULTERIEURE

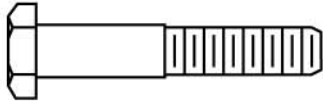
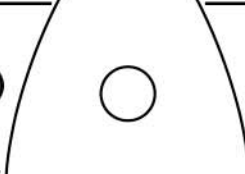

Onward
SINCE 1906
MANUFACTURING COMPANY
585 KUMPF DRIVE LIMITED
WATERLOO, ONTARIO, CANADA
N2V 1K3

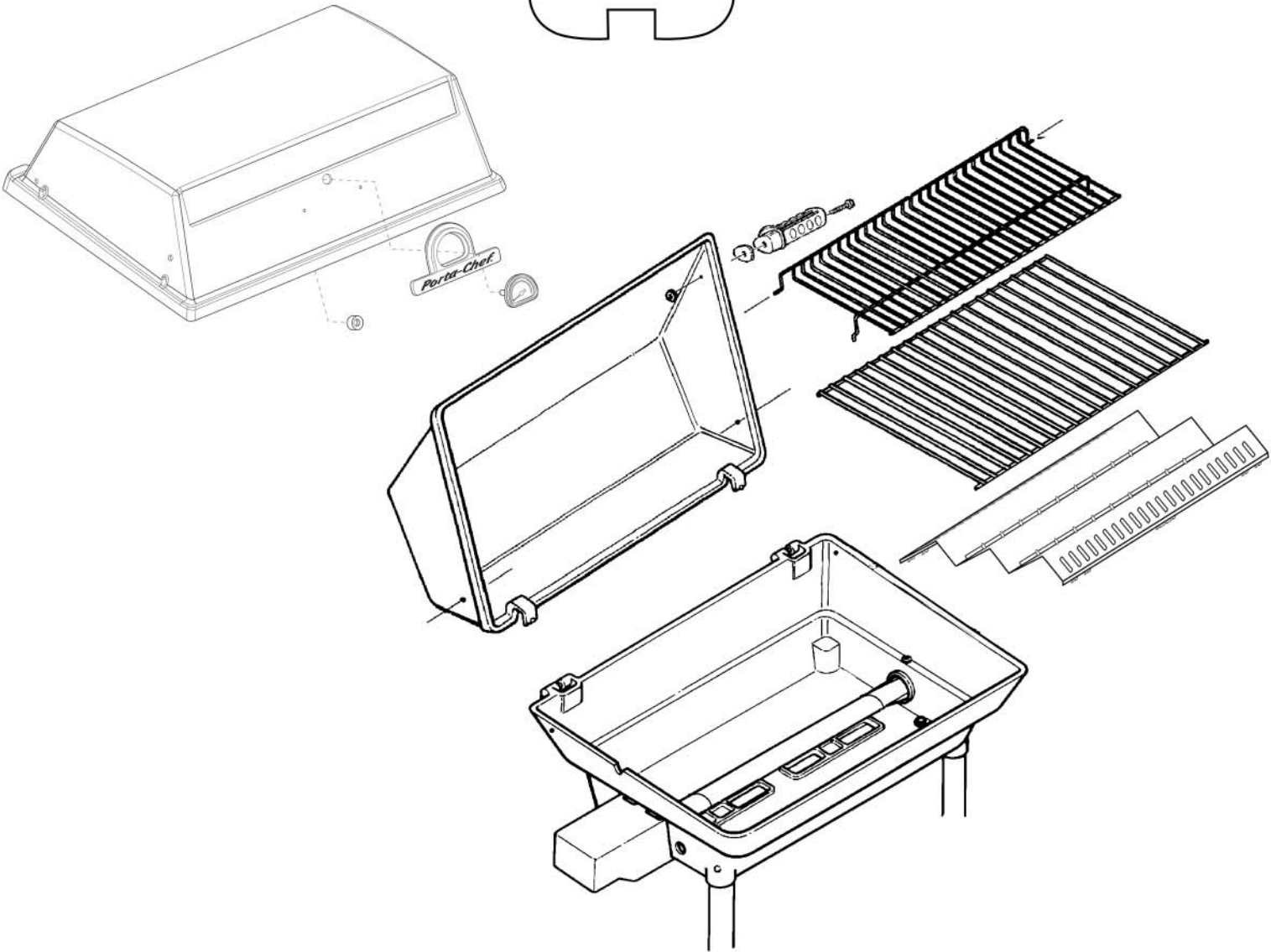
10084-T21 REV E 10/05



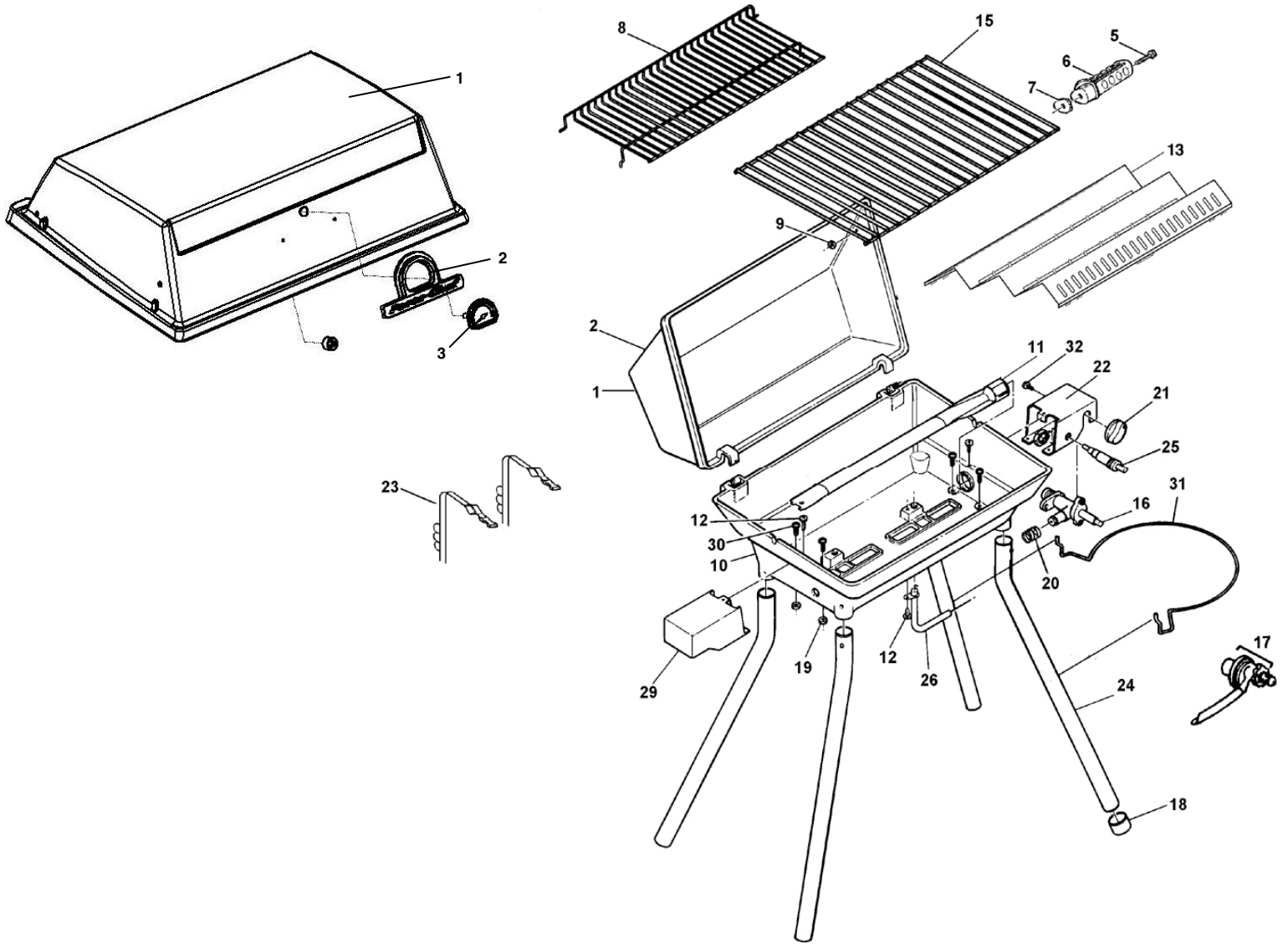
4



5 (1)  (1)  (1) 



PARTS LIST/LISTE DE PIÉCES



KEY NO.	ITEM #	422-32	422-33	422-34	422-62	422-63	422-64	KEY NO.	ITEM #	422-32	422-33	422-34	422-62	422-63	422-64
1	10473-T24	1	1	1	1	1	1	17	10114-20	-	-	1	-	-	1
2	10081-PC20	1	1	1	-	-	-		S13297	-	1	-	-	1	-
	10081-PC22	-	-	-	1	1	1		S13299	-	1	-	-	1	-
3	10571-5	-	-	-	1	1	1		S10702	1	-	-	1	-	-
5	Y-6616	1	1	1	1	1	1	18	Y-12658	4	4	4	4	4	4
6	10338-145	1	1	1	1	1	1	19	Y-29307	4	4	4	4	4	4
7	10239-6	1	1	1	1	1	1	20	S21360	1	1	1	1	1	1
8	10225-T247	1	1	1	1	1	1	21	10472-K36	1	1	1	1	1	1
9	Y-11793	1	1	1	1	1	1	22	10086-T20	-	-	1	-	-	1
10	10909-T20	1	1	1	1	1	1		10086-T20E	1	1	-	1	1	-
11	10390-T21	-	-	1	-	-	1	23	10184-K17	2	2	2	2	2	2
	10390-T21E	1	1	-	1	1	-	24	10338-T20	4	4	4	4	4	4
12	S21124	2	2	2	2	2	2	25	10342-21	1	1	1	1	1	1
13	10222-T225	1	1	1	1	1	1	26	S15506	1	1	1	1	1	1
14	Y-12646	1	1	1	1	1	1	28	Y-12659	4	4	4	4	4	4
15	10225-242	1	1	1	-	-	-	29	10194-T201	2	2	2	2	2	2
	10225-T206	-	-	-	1	1	1	30	Y-29306	4	4	4	4	4	4
16	10440-T20	-	-	1	-	-	1	31	10184-T16	-	-	1	-	-	1
	10440-T20E	-	1	-	-	1	-	32	Y-12310	1	1	1	1	1	1
	10440-T20D	1	-	-	1	-	-								

Free Manuals Download Website

<http://myh66.com>

<http://usermanuals.us>

<http://www.somanuals.com>

<http://www.4manuals.cc>

<http://www.manual-lib.com>

<http://www.404manual.com>

<http://www.luxmanual.com>

<http://aubethermostatmanual.com>

Golf course search by state

<http://golfingnear.com>

Email search by domain

<http://emailbydomain.com>

Auto manuals search

<http://auto.somanuals.com>

TV manuals search

<http://tv.somanuals.com>