



Before you can use the machine, read this Quick Setup Guide for the correct setup and installation.

 <b>WARNING</b>	Warnings tell you what to do to prevent possible personal injury.
--	---

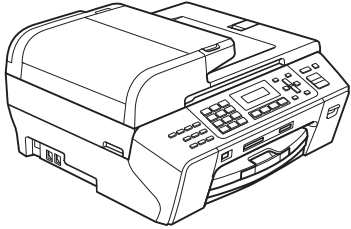
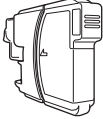
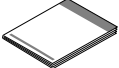
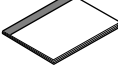

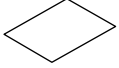
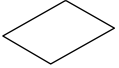

## Important

**DO NOT connect the USB cable yet (if you are using a USB cable).**



# 1


## Unpack the machine and check the components

			Black Yellow Cyan Magenta						
Starter Ink Cartridges [x4]									
 Quick Setup Guide	 User's Guide	 CD-ROM	 Accessory Order Form						
 Test Sheet (USA only)	 Telephone Line Cord	<table border="1" style="display: inline-table; border-collapse: collapse;"> <tr> <td style="padding: 2px;">1</td> <td style="padding: 2px;">2</td> <td style="padding: 2px;">3</td> </tr> <tr> <td style="padding: 2px;">4</td> <td style="padding: 2px;">5</td> <td style="padding: 2px;">6</td> </tr> </table> One Touch Labels		1	2	3	4	5	6
1	2	3							
4	5	6							

 **WARNING**

**Plastic bags are used in the packaging of your machine. To avoid danger of suffocation, please keep these bags away from babies and children.**

- a** Remove the protective tape and film covering the scanner glass.
- b** Make sure you have all components.

 **Note**

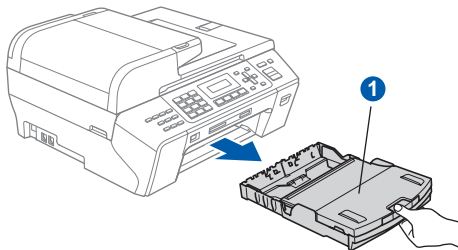
- *The components included in the box may differ depending on your country.*
- *Save all packing materials and the box in case for any reason you must ship your machine.*
- *You need to purchase the correct interface cable for the interface you want to use (for USB or network connection).*

**USB cable**  
Please make sure you use a USB 2.0 cable (Type A/B) that is no more than 6 feet (2 meters) long.

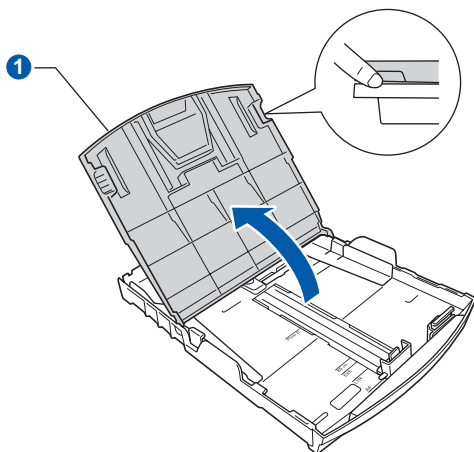
**Network cable**  
Use a straight-through Category5 (or greater) twisted-pair cable for 10BASE-T or 100BASE-TX Fast Ethernet Network.

## 2 Load plain Letter/A4 paper

- a** Pull the paper tray **1** completely out of the machine.

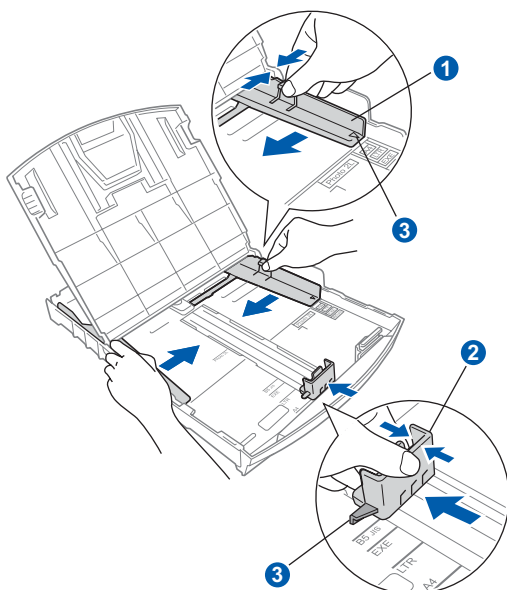


- b** Open the paper tray cover **1**.



- c** With both hands, gently press and slide the paper side guides **1** and then the paper length guide **2** to fit the paper size.

Make sure that the triangular marks **3** on the paper side guides **1** and paper length guide **2** line up with the mark for the paper size you are using.

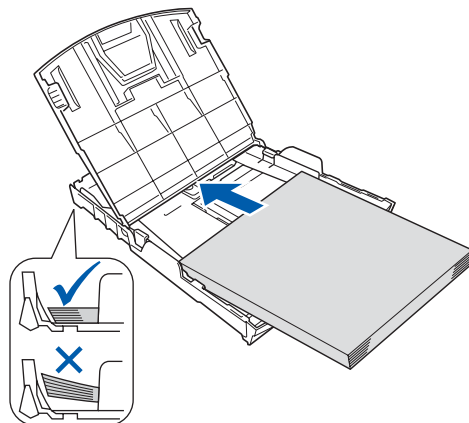


- d** Fan the stack of paper well to avoid paper jams and misfeeds.

- e** Gently put the paper into the paper tray print side down and top edge first. Check that the paper is flat in the tray.

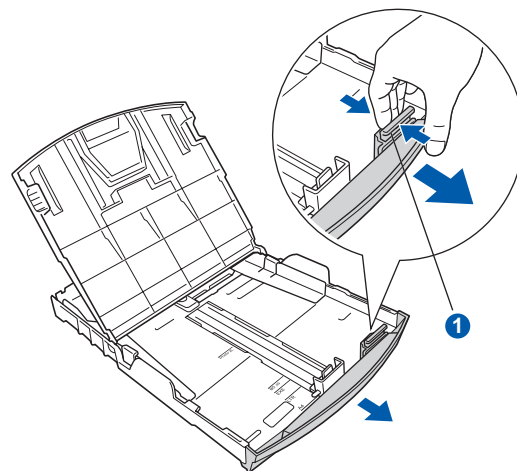
### Important

**Do not push the paper in too far.**



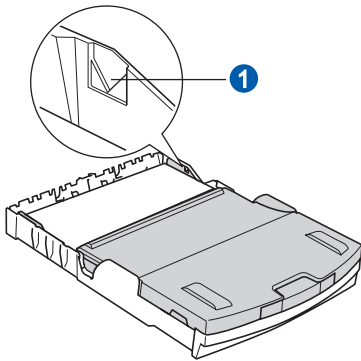
### Note

When you use Legal size paper, press and hold the universal guide release button **1** as you slide out the front of the paper tray.

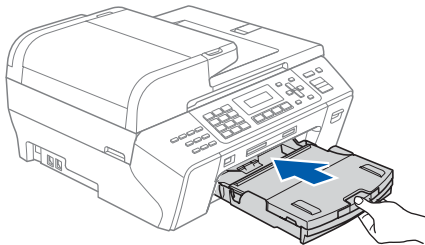


- f** Gently adjust the paper side guides to the paper with both hands. Make sure that the paper side guides touch the edges of the paper.

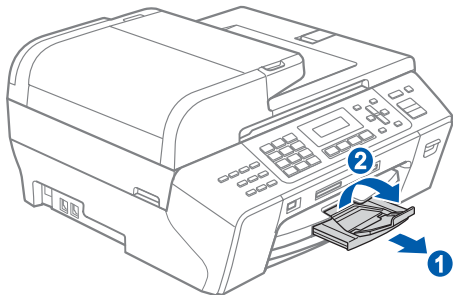
- g** Close the paper tray cover. Check that the paper is flat in the tray and below the maximum paper mark **1**.



- h** Slowly push the paper tray completely into the machine.



- i** While holding the paper tray in place, pull out the paper support **1** until it clicks, and then unfold the paper support flap **2**.



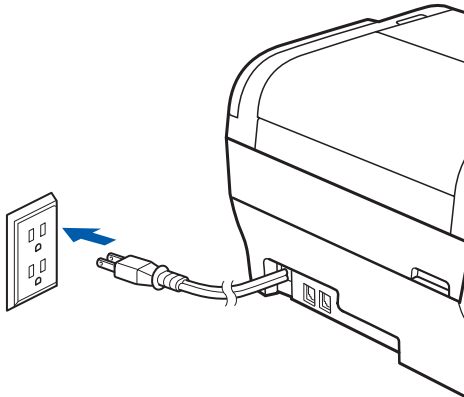
# 3

## Connect the power cord and telephone line

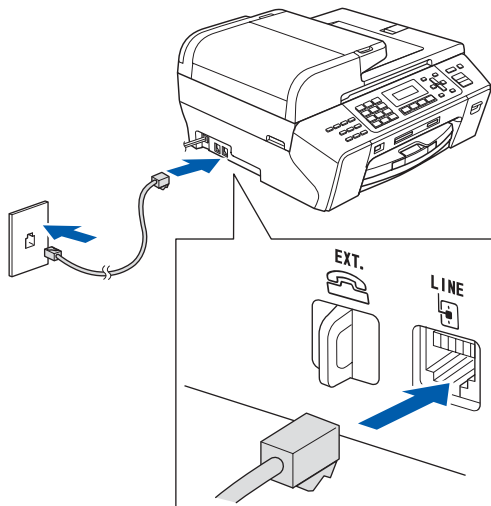
### Important

**DO NOT** connect the USB cable yet (if you are using a USB cable).

- a** Connect the power cord.



- b** Connect the telephone line cord. Connect one end of the telephone line cord to the jack on the machine marked **LINE** and the other end to a modular wall jack.

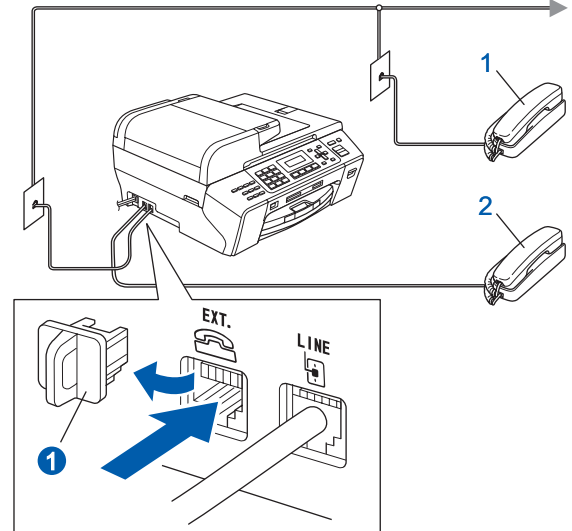


### Important

The telephone line cord **MUST** be connected to the jack on the machine marked **LINE**.

### Note

If you are sharing one telephone line with an external telephone, connect it as shown below. Before you connect the external telephone, remove the protective cap 1 from the **EXT.** jack on the machine.

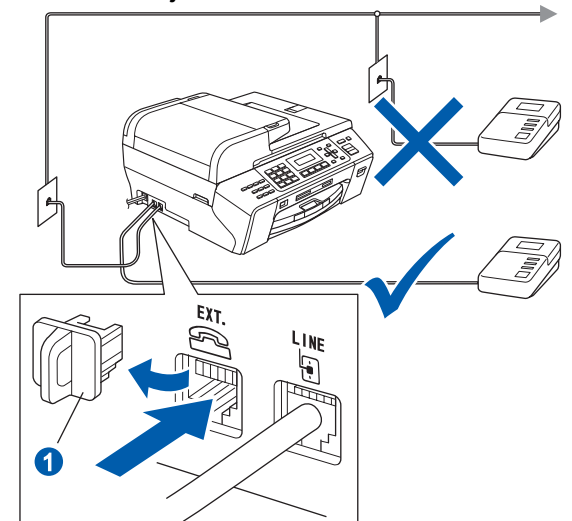


- 1 Extension telephone  
2 External telephone

### Note

If you are sharing one telephone line with an external telephone answering machine, connect it as shown below.

Before you connect the external telephone answering machine, remove the protective cap 1 from the **EXT.** jack on the machine.



Set the receive mode to *External TAD* if you have an external answering machine. See *Choose the correct Receive Mode* on page 8. For additional details, see *Connecting an external TAD (telephone answering device)* in Chapter 7 of the User's Guide.

# 4

## Install the ink cartridges

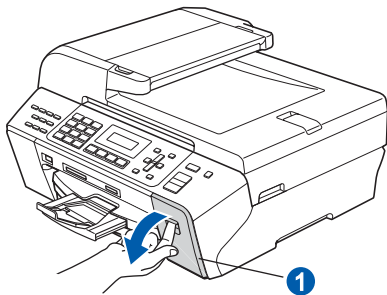
### ! WARNING

If ink gets in your eyes, wash them out with water at once, and if irritation occurs consult a doctor.

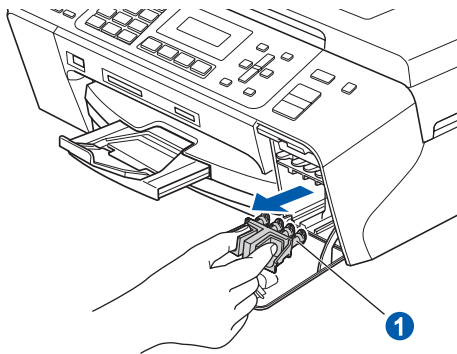
- a** Make sure that the power is turned on. The LCD shows:

No Cartridge  
Open ink cartridge...

- b** Open the ink cartridge cover ①.



- c** Remove the green protective part ①.

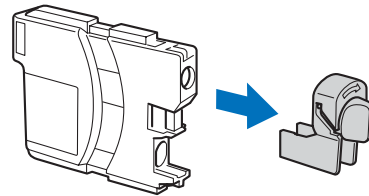
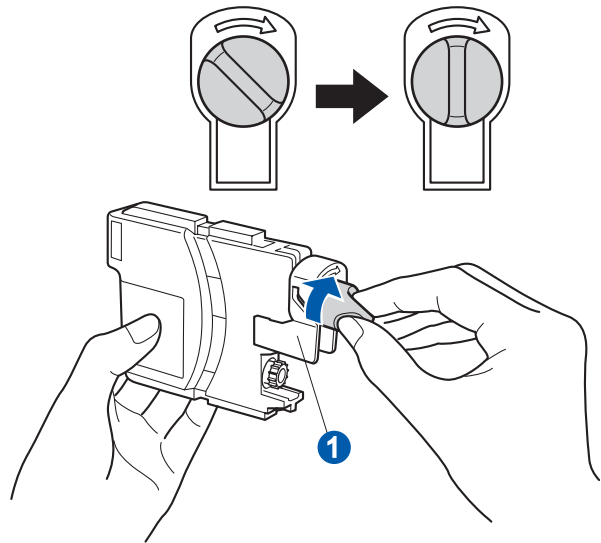


### Note

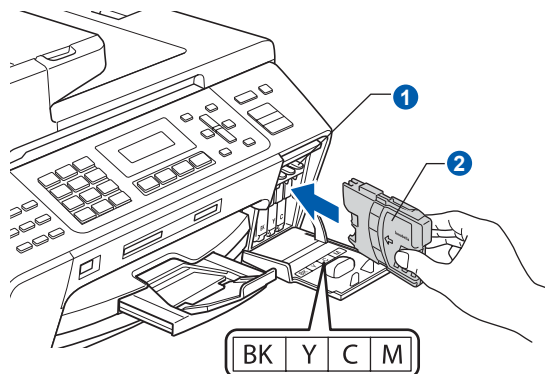
Do not throw away the green protective part. You will need it if you transport the machine.

- d** Unpack the ink cartridge.

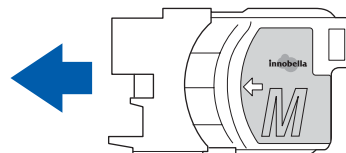
- e** Turn the green knob on the protective yellow cap clockwise until it clicks to release the vacuum seal, then remove the cap ①.



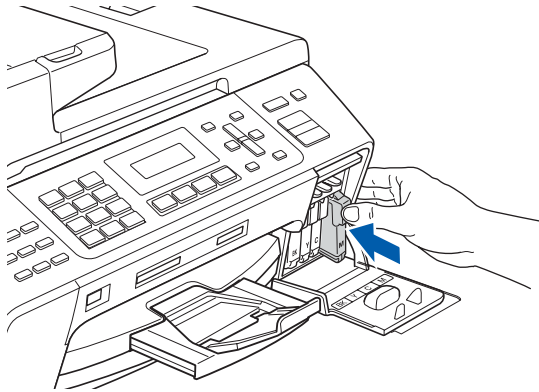
- f** Take care to match the color of the lever ① with the cartridge color ②, as shown in the diagram below.



- g** Install each ink cartridge in the direction of the arrow on the label.



- h** Gently push the ink cartridge until it clicks. After all the ink cartridges are installed close the ink cartridge cover.



 **Note**

*The machine will prepare the ink tube system for printing. This process will take approximately four minutes. Do not turn off the machine.*

### Important

- **DO NOT** take out ink cartridges if you do not need to replace them. If you do so, it may reduce the ink quantity and the machine will not know the quantity of ink left in the cartridge.
- **DO NOT** shake the ink cartridges. If ink stains your skin or clothing, wash with soap or detergent at once.
- **DO NOT** repeatedly insert and remove the cartridges. If you do so, ink may seep out of the cartridge.
- If you mix the colors by installing an ink cartridge in the wrong position, clean the print head several times after correcting the cartridge installation. (See *Cleaning the print head in Appendix B of the User's Guide.*)
- Once you open an ink cartridge, install it in the machine and use it up within six months of installation. Use unopened ink cartridges by the expiration date written on the cartridge package.
- **DO NOT** dismantle or tamper with the ink cartridge, this can cause the ink to leak out of the cartridge.
- Brother strongly recommends that you do not refill the ink cartridges provided with your machine. We also strongly recommend that you continue to use only Genuine Brother Brand replacement ink cartridges. Using or attempting to use potentially incompatible inks and/or cartridges in your machine may cause damage to the machine itself and/or it may result in unsatisfactory print quality. Our warranty coverage does not apply to any problem that was caused by the use of unauthorized third party ink and/or cartridges. To protect your investment and guarantee your print quality please continue to replace consumed ink cartridges with only Genuine Brother Branded Supplies.

## 5 Check the print quality

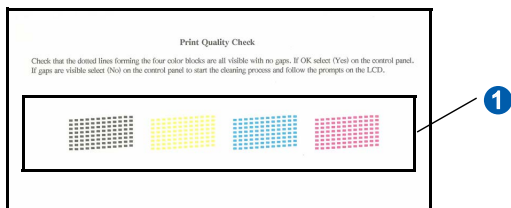
- a** When the preparation process has finished, the LCD shows this message



Set Paper and  
Press Start

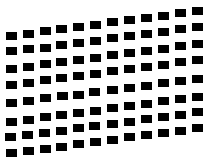
Press **Color Start**.

- b** Check the quality of the four color blocks **1** on the sheet. (black/yellow/cyan/magenta)



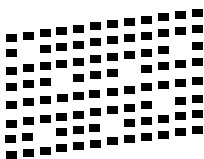
- c** If all lines are clear and visible, press **1** (Yes) on the dial pad to finish the quality check.

OK



If you can see missing short lines, press **2** (No) on the dial pad and go to **d**.

Poor



- d** The LCD asks you if the print quality is OK for black and color. Press **1** (Yes) or **2** (No) on the dial pad.



Black OK?  
1.Yes 2.No

After pressing **1** (Yes) or **2** (No) for both black and color, the LCD shows:



Start Cleaning?  
1.Yes 2.No

- e** Press **1** (Yes), the machine will then start cleaning the colors.

- f** After cleaning is finished, press **Color Start**. The machine starts printing the Print Quality Check Sheet again. Go back to **b**.

## 6 Choose your language (If needed)

- a** Press **Menu**.

- b** Press **0**.

- c** Press **0**.

- d** Press **▲** or **▼** to choose your language.  
Press **OK**.

- e** Press **Stop/Exit**.

# 7

## Choose the correct Receive Mode

The correct Receive Mode is determined by the external devices and telephone subscriber services (Voice Mail, Distinctive Ring, etc.) you have (or will be using) on the same line as the Brother machine.

### Will you be using a Distinctive Ring number for receiving faxes?

Brother uses the term "Distinctive Ring" but telephone companies may have other names for this service such as Custom Ringing, RingMaster, Personalized Ring, Teen Ring, Ident-A-Call, and Smart Ring. See Distinctive Ring in Chapter 7 of the User's Guide for instruction on setting up your machine using this feature.

### Will you be using Voicemail on the same telephone line as your Brother machine?

If you have Voice Mail on the same telephone line as your Brother machine, there is a strong possibility that Voice Mail and the Brother machine will conflict with each other when receiving incoming calls. See Voice Mail in Chapter 7 of the User's Guide for instructions on setting up your machine using this service.

### Will you be using a Telephone Answering Device on the same telephone line as your Brother machine?

Your external telephone answering device (TAD) will automatically answer every call. Voice messages are stored on the external TAD and fax messages are printed. Choose `External TAD` as your receive mode. See the instructions below.

### Will you be using your Brother machine on a dedicated fax line?

Your machine automatically answers every call as a fax. Choose `Fax Only` as your receive mode. See the instructions below.

### Will you be using your Brother machine on the same line as your telephone?

#### Do you want to receive voice calls and faxes automatically?

The `Fax/Tel` receive mode is used when sharing the Brother machine and your telephone on the same line. Choose `Fax/Tel` as your receive mode. See the instructions below.

**Important Note:** You cannot receive voice messages on either Voice Mail or an answering machine when choosing the `Fax/Tel` mode.

#### Do you expect to receive very few faxes?

Choose `Manual` as your receive mode. You control the phone line and must answer every call yourself. See the instructions below.



*For details, see Using receive modes in Chapter 6 of the User's Guide.*

- a** Press **Menu**.
- b** Press **0**.
- c** Press **1**.
- d** Press **▲** or **▼** to choose the receive mode.  
Press **OK**.
- e** Press **Stop/Exit**.

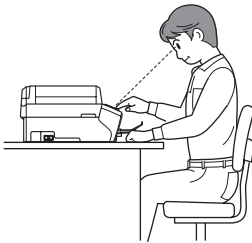


## 8 Set the LCD contrast (If needed)

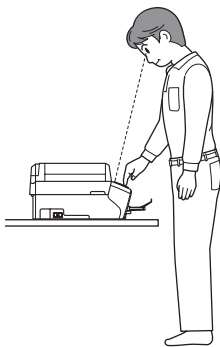
If you are having difficulty reading the LCD from your position, try changing the contrast setting.

- a** Press **Menu**.
- b** Press **1**.
- c** Press **7**.
- d** Press **▲** or **▼** to choose **Light** or **Dark**.

```
Select ▲▼ & OK
Light
```



```
LCD Contrast
Dark
```



- e** Press **OK**.
- f** Press **Stop/Exit**.

## 9 Set the date and time

The machine displays the date and time, and if you set up the station ID the date and time will be added to each fax you send.

- a** Press **Menu**.
- b** Press **0**.
- c** Press **2**.
- d** Enter the last two digits of the year on the dial pad, and then press **OK**.

```
Date/Time
Year:2008
```

(e.g. Enter **08** for 2008.)

- e** Enter the two digits for the month on the dial pad, and then press **OK**.

```
Date/Time
Month:03
```

(e.g. Enter **03** for March.)

- f** Enter the two digits for the day on the dial pad, and then press **OK**.

```
Date/Time
Day:01
```

(e.g. Enter **01** for the first day of the month.)

- g** Enter the time in 24-hour format on the dial pad, and then press **OK**.

```
Date/Time
Time:15:25
```

(e.g. Enter **15, 25** for 3:25 P.M.)

- h** Press **Stop/Exit**.

# 10 Set your station ID

You should store your name and fax number to be printed on all fax pages that you send.

- a** Press **Menu**.
- b** Press **0**.
- c** Press **3**.
- d** Enter your fax number (up to 20 digits) on the dial pad, and then press **OK**.
- e** Enter your name (up to 20 characters) using the dial pad, and then press **OK**.

## Note

- See the following chart for entering your name.
- If you need to enter a character that is on the same key as the last character, press **▶** to move the cursor to the right.
- If you entered a letter incorrectly and want to change it, press **◀** or **▶** to move the cursor to the incorrect character, press **Clear/Back**.

Press key	One time	Two times	Three times	Four times
2	A	B	C	2
3	D	E	F	3
4	G	H	I	4
5	J	K	L	5
6	M	N	O	6
7	P	Q	R	S
8	T	U	V	8
9	W	X	Y	Z

- f** Press **Stop/Exit**.

## Note

If you make a mistake and want to start again, press **Stop/Exit** and go back to **a**.



For details, see *Entering Text* in Appendix C of the User's Guide.

## Note

(USA only)

The Telephone Consumer Protection Act of 1991 makes it unlawful for any person to use a computer or electronic device to send any message via a telephone fax machine unless such messages clearly contain, in a margin at the top or bottom of each transmitted page, or on the first page of the transmission, the date and time it is sent and an identification of the business or other entity or other individual sending the message and the telephone number of the sending machines or such business, other entity or individual.

## 11 Set tone or pulse dialing mode

Your machine comes set for Tone dialing service. If you have Pulse dialing service (rotary), you need to change the dialing mode.

- a** Press **Menu**.
- b** Press **0**.
- c** Press **4**.
- d** Press **▲** or **▼** to choose **Pulse** (or **Tone**).  
Press **OK**.
- e** Press **Stop/Exit**.

## 12 Automatic Daylight Savings Time

You can set the machine to change automatically for daylight savings time. It will reset itself forward one hour in the Spring and backward one hour in the Fall.

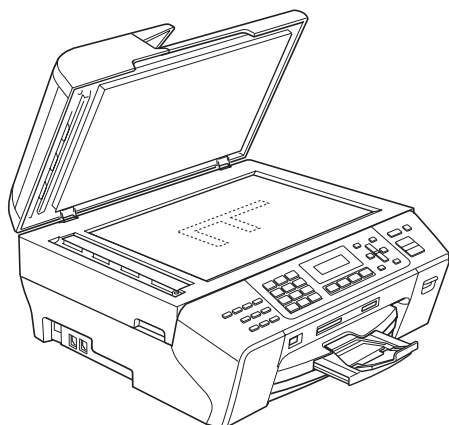
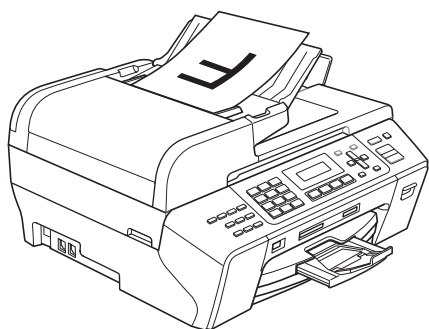
- a** Press **Menu**.
- b** Press **1**.
- c** Press **5**.
- d** Press **▲** or **▼** to choose **On** (or **Off**).  
Press **OK**.
- e** Press **Stop/Exit**.


# 13 Send in the Product Registration and Test Sheet (USA only)

You can also register your product online using the On-Line Registration link from the installation CD-ROM or visit <http://www.brother.com/registration/>.

- a** Fill out the Product Registration and Test Sheet.

- b** Put the sheet face up in the ADF (Automatic Document Feeder) or face down on the scanner glass.



- c** Make sure  (Fax) is illuminated in Blue.
- d** Enter the toll-free fax number: 1-877-268-9575.

- e** Press **Black Start**.

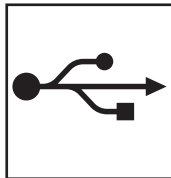
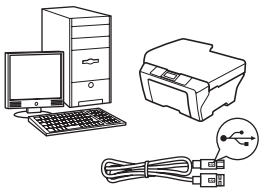


**Note**

You will receive a confirmation fax of your Product Registration.

# 14

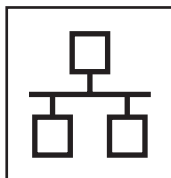
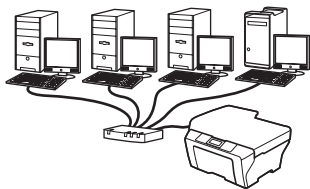
## Choose your connection type



### For USB interface cable

Windows<sup>®</sup>, go to page 14

Macintosh<sup>®</sup>, go to page 18



### For Wired Network

Windows<sup>®</sup>, go to page 21

Macintosh<sup>®</sup>, go to page 26

Windows<sup>®</sup>  
USB  
Macintosh<sup>®</sup>

Windows<sup>®</sup>  
Wired Network  
Macintosh<sup>®</sup>



## For USB Interface Users (For Windows® 2000 Professional/XP/ XP Professional x64 Edition/ Windows Vista®)

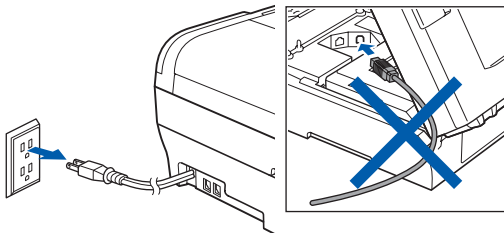
### 15 Before you install

**a** Make sure that your computer is ON and you are logged on with Administrator rights.

#### Important

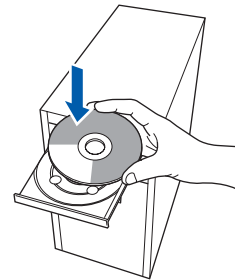
- **DO NOT** connect the USB cable yet.
- If there are any programs running, close them.
- Make sure there are no memory cards or a USB Flash memory drive inserted.
- The screen may differ depending on the operating system.
- The supplied CD-ROM includes ScanSoft™ PaperPort™ 11SE. This software supports Windows® 2000 (SP4 or greater), XP (SP2 or greater), XP Professional x64 Edition and Windows Vista®. Update to the latest Windows® Service Pack before installing MFL-Pro Suite.

**b** Unplug the machine from the AC outlet and from your computer, if you already connected an interface cable.



### 16 Install MFL-Pro Suite

**a** Put the supplied CD-ROM into your CD-ROM drive. If the model name screen appears, choose your machine. If the language screen appears, choose your language.



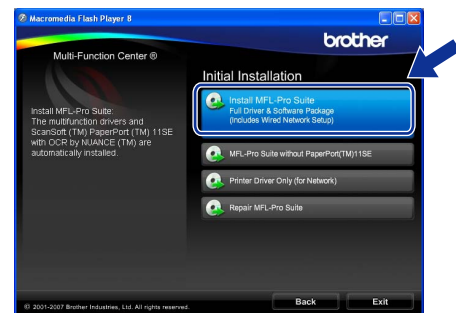
#### Note

*If the Brother screen does not appear automatically, go to **My Computer (Computer)**, double-click the CD-ROM icon, and then double-click **start.exe**.*

**b** The CD-ROM main menu will appear. Click **Initial Installation**.



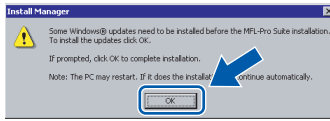
**c** Click **Install MFL-Pro Suite**.



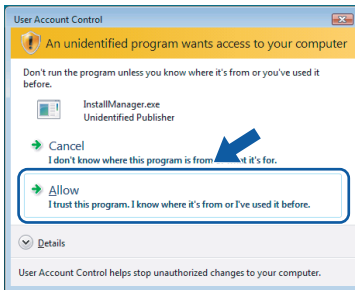


## Note

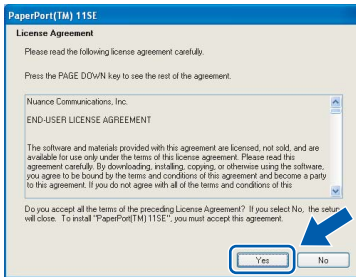
- If this screen appears, click **OK** and restart your computer.



- If the installation does not continue automatically, open the main menu again by ejecting and then reinserting the CD-ROM or double-click the **start.exe** program from the root folder, and continue from **b** to install MFL-Pro Suite.
- For Windows Vista®, when the **User Account Control** screen appears, click **Allow**.

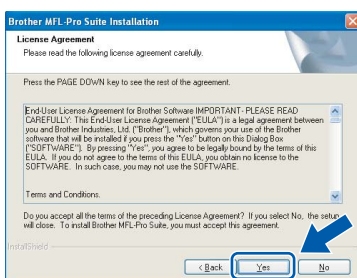


- When the ScanSoft™ PaperPort™ 11SE **License Agreement** window appears, click **Yes** if you agree to the Software License Agreement.

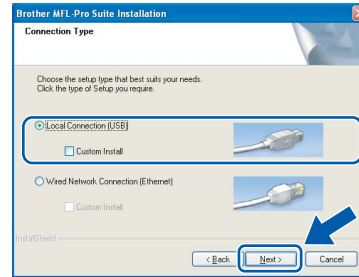


- The installation of ScanSoft™ PaperPort™ 11SE will automatically start and is followed by the installation of MFL-Pro Suite.

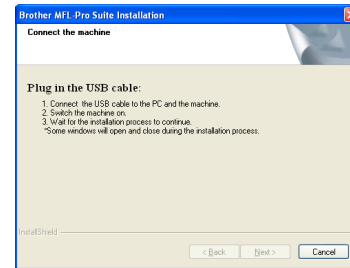
- When the Brother MFL-Pro Suite Software **License Agreement** window appears, click **Yes** if you agree to the Software License Agreement.



- Choose **Local Connection**, and then click **Next**. The installation continues.



- When this screen appears, go to the next step.



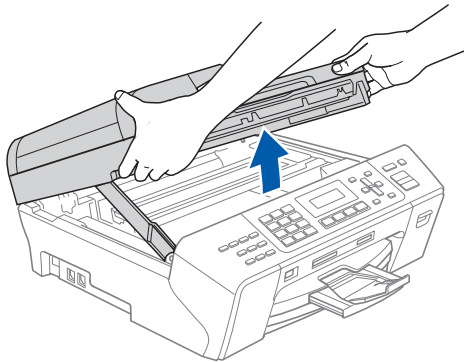



## 17 Connect the USB cable

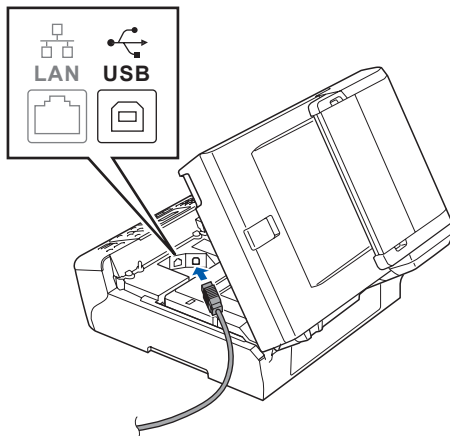
### Important

- **DO NOT** connect the machine to a USB port on a keyboard or a non-powered USB hub.
- **Connect the machine directly to your computer.**

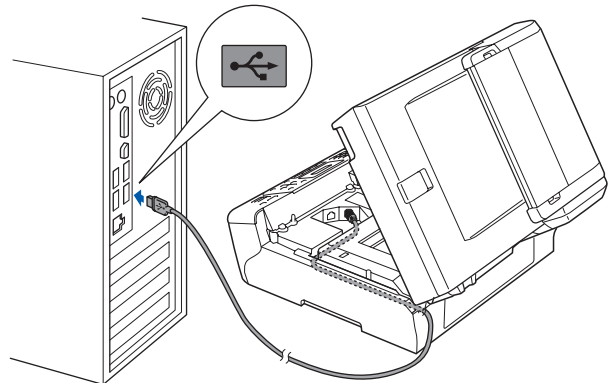
- a** Lift the scanner cover until it locks securely into the open position.



- b** Connect the USB cable to the USB socket marked with a  symbol. You will find the USB socket inside the machine on the right as shown below.



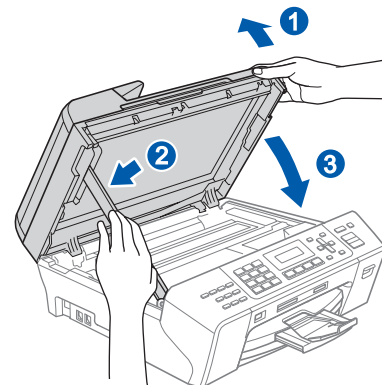
- c** Carefully route the USB cable through the trench and out the back of the machine as shown below and connect the cable to your computer.



### Important

**Make sure that the cable does not restrict the cover from closing, or an error may occur.**

- d** Lift the scanner cover to release the lock **1**. Gently push the scanner cover support down **2** and close the scanner cover **3** using both hands.

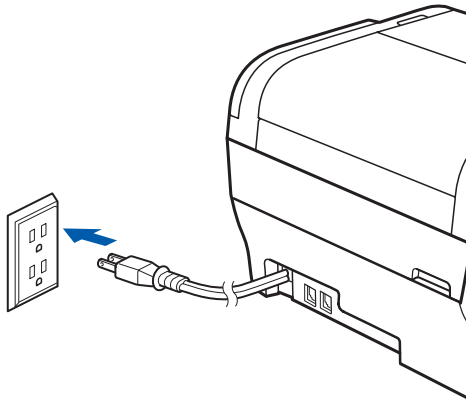






## 18 Connect the power cord

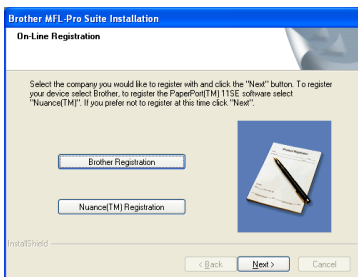
- a Connect the power cord. The installation will continue automatically. The installation screens appear one after another.



**Important**  
DO NOT cancel any of the screens during the installation. It may take a few seconds for all screens to appear.

**Note**  
For Windows Vista®, when this screen appears, click the check box and click **Install** to complete the installation correctly.

- b When the **On-Line Registration** screen is displayed, make your selection and follow the on-screen instructions. Once you have completed the registration process, close your web browser to return to this window. Then click **Next**.



## 19 Finish and restart

- a Click **Finish** to restart your computer. After restarting the computer, you must be logged on with Administrator rights.



**Note**  
If an error message appears during the software installation, run the **Installation Diagnostics** located in **Start/All Programs/Brother/MFC-XXXX** (where MFC-XXXX is your model name).

**Finish** The installation is now complete.

**Now go to**

Proceed to **Install Optional Applications** on page 30.



## For USB Interface Users (For Mac OS® X 10.2.4 or greater)

### 15 Before you install

- a** Make sure your machine is connected to the power and your Macintosh® is ON. You must be logged on with Administrator rights.

#### Important

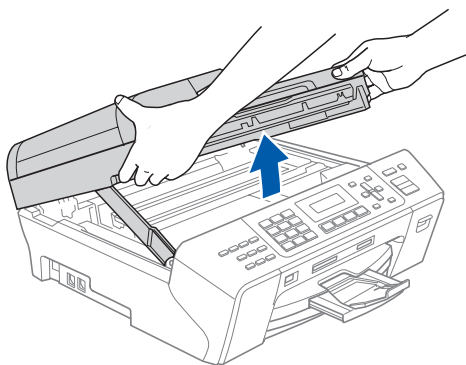
- For Mac OS® X 10.2.0 to 10.2.3 users, upgrade to Mac OS® X 10.2.4 or greater. (For the latest information for Mac OS® X, visit <http://solutions.brother.com/>)
- Make sure there are no memory cards or a USB Flash memory drive inserted.


### 16 Connect the USB cable

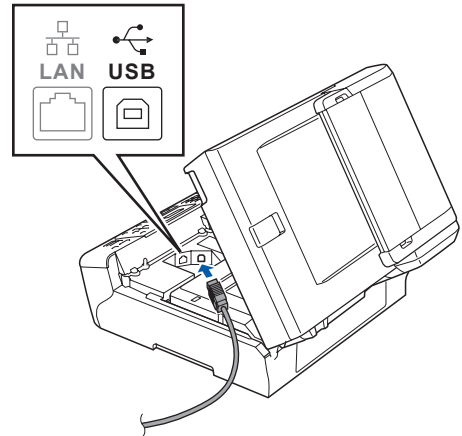
#### Important

- DO NOT connect the machine to a USB port on a keyboard or a non-powered USB hub.
- Connect the machine directly to your Macintosh®.

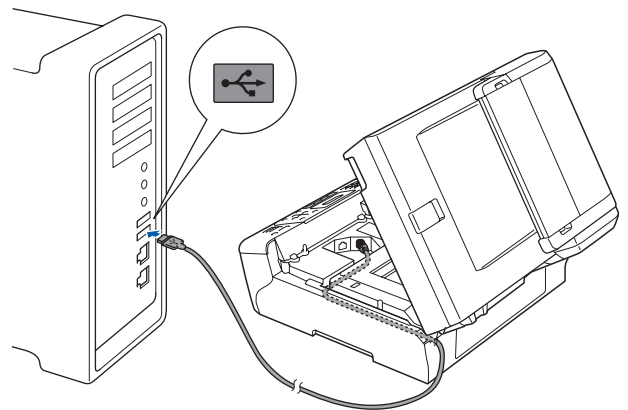
- a** Lift the scanner cover until it locks securely into the open position.



- b** Connect the USB cable to the USB socket marked with a  symbol. You will find the USB socket inside the machine on the right as shown below.



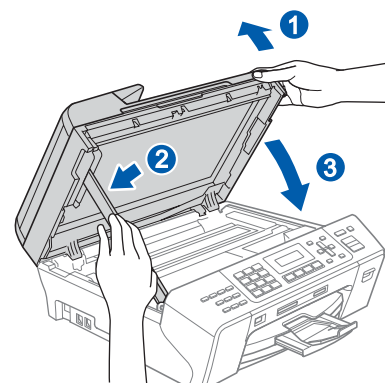
- c** Carefully route the USB cable through the trench and out the back of the machine as shown below and connect the cable to your Macintosh®.



#### Important

**Make sure that the cable does not restrict the cover from closing, or an error may occur.**

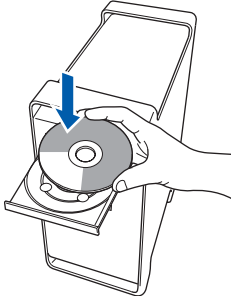
- d** Lift the scanner cover to release the lock **1**. Gently push the scanner cover support down **2** and close the scanner cover **3** using both hands.



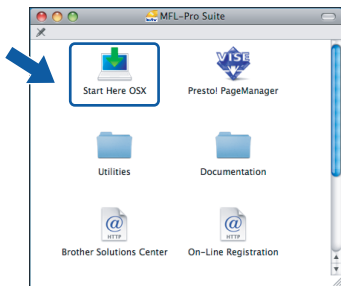


## 17 Install MFL-Pro Suite

**a** Put the supplied CD-ROM into your CD-ROM drive.



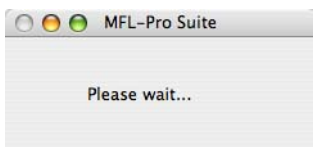
**b** Double-click the **Start Here OSX** icon to install.



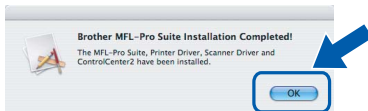
### Note

*Please wait, it will take a few seconds for the software to install. After the installation, click **Restart** to finish installing the software.*

**c** The Brother software will search for the Brother device. During this time the following screen will appear.

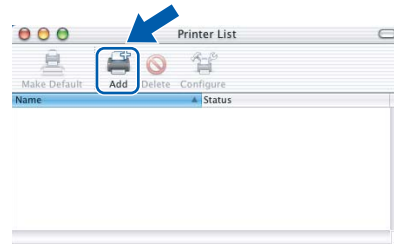


**d** When this screen appears, click **OK**.

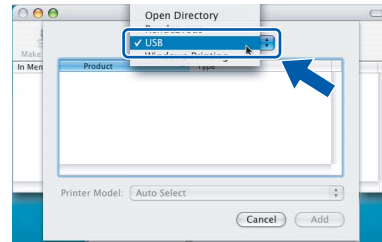


**OK!** For Mac OS® X 10.3.x or greater, the installation of MFL-Pro Suite is now complete. Go to step **18** on page 20.

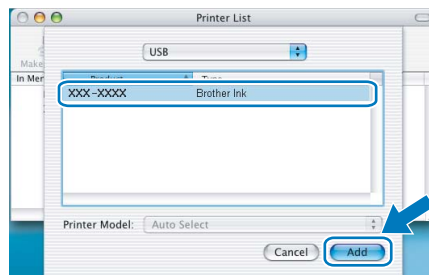
**e** For Mac OS® X 10.2.4 to 10.2.8 users, click **Add**.



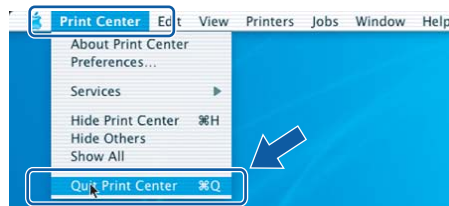
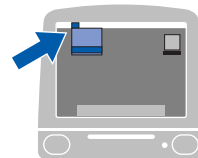
**f** Choose **USB**.



**g** Choose **XXX-XXXX** (where XXX-XXXX is your model name), and then click **Add**.



**h** Click **Print Center**, then **Quit Print Center**.



**OK!** The installation of MFL-Pro Suite is now complete. Go to step **18** on page 20.

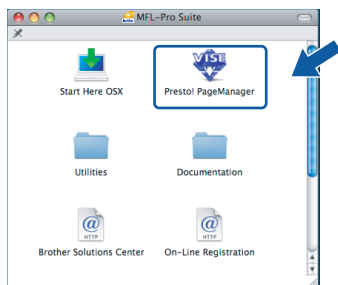
Windows®  
USB  
Macintosh®



## 18 Install Presto!® PageManager®

When Presto!® PageManager® is installed OCR capability is added to Brother ControlCenter2. You can easily scan, share and organize photos and documents using Presto!® PageManager®.

- a** Double-click the **Presto! PageManager** icon and follow the on-screen instructions.



For Mac OS® X 10.2.4 to 10.3.8 users, when this screen appears, click **Go** to download the software from the Brother Solutions Center website.



### Finish

**The installation is now complete.**



## For Wired Network Interface Users (For Windows® 2000 Professional/XP/ XP Professional x64 Edition/ Windows Vista®)

### 15 Before you install

- a** Make sure that your computer is ON and you are logged on with Administrator rights.

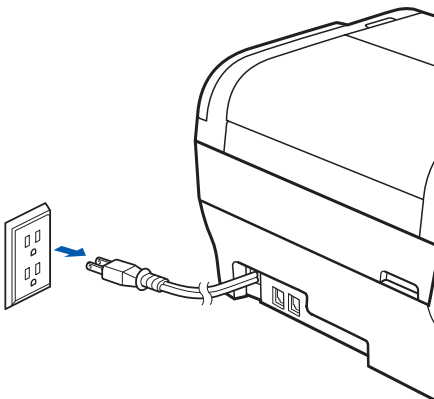
#### Important

- If there are any programs running, close them.
- Make sure there are no memory cards or a USB Flash memory drive inserted.
- The screens may differ depending on the operating system.
- The supplied CD-ROM includes ScanSoft™ PaperPort™ 11SE. This software supports Windows® 2000 (SP4 or greater), XP (SP2 or greater), XP Professional x64 Edition and Windows Vista®. Update to the latest Windows® Service Pack before installing MFL-Pro Suite.

### Important

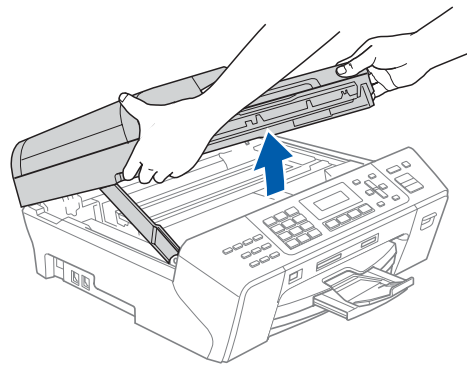
Before installation, if you are using personal firewall software (other than Windows® Firewall), anti-spyware or antivirus applications, temporarily disable them.


- b** Unplug the machine from the AC outlet.

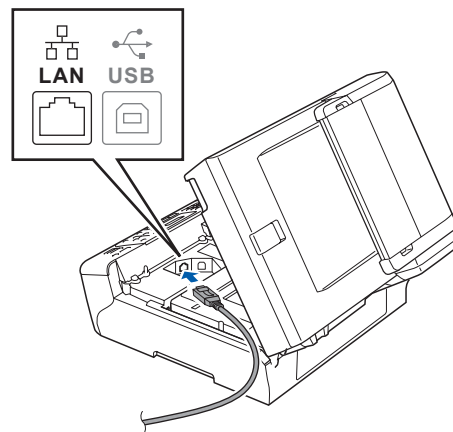


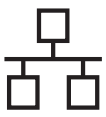
### 16 Connect the network cable

- a** Lift the scanner cover until it locks securely into the open position.

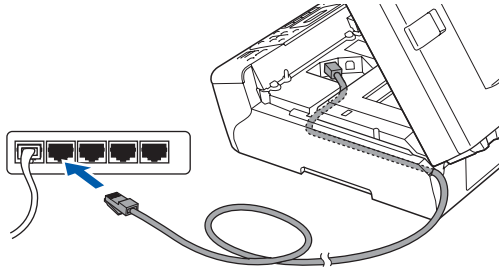


- b** Connect the network cable to the LAN socket marked with a  symbol. You will find the LAN socket inside the machine on the left as shown below.





- c** Carefully route the network cable through the trench and out the back of the machine. Then, connect the cable to your network.



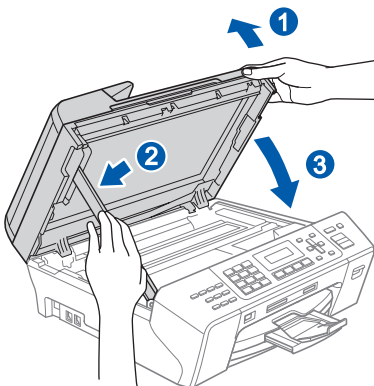
 **Note**

*If both USB and LAN cables are being used, guide both cables through the trench with one on top of the other.*

**Important**

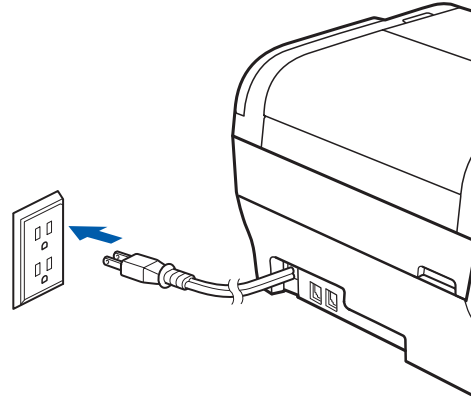
**Make sure that the cable does not restrict the cover from closing, or an error may occur.**

- d** Lift the scanner cover to release the lock ①. Gently push the scanner cover support down ② and close the scanner cover ③ using both hands.



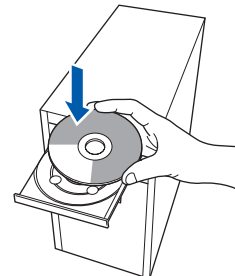
## 17 Connect the power cord

- a** Connect the power cord.



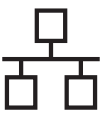
## 18 Install MFL-Pro Suite

- a** Put the supplied CD-ROM into your CD-ROM drive. If the model name screen appears, choose your machine. If the language screen appears, choose your language.



 **Note**

*If the Brother screen does not appear automatically, go to **My Computer (Computer)**, double-click the CD-ROM icon, and then double-click **start.exe**.*



- b** The CD-ROM main menu will appear. Click **Initial Installation**.

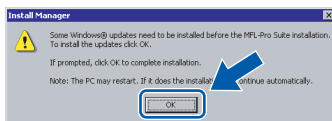


- c** Click **Install MFL-Pro Suite**.

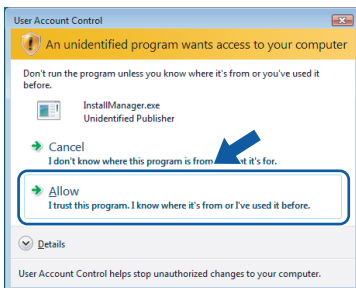


## Note

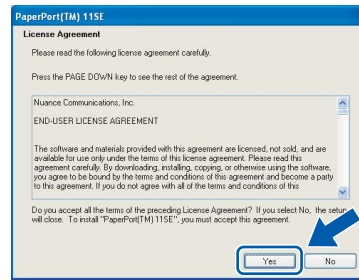
- If this screen appears, click **OK** and restart your computer.



- If the installation does not continue automatically, open the main menu again by ejecting and then reinserting the CD-ROM or double-click the **start.exe** program from the root folder, and continue from **b** to install MFL-Pro Suite.
- For Windows Vista®, when the **User Account Control** screen appears, click **Allow**.

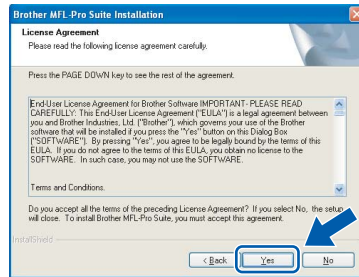


- d** When the ScanSoft™ PaperPort™ 11SE **License Agreement** window appears, click **Yes** if you agree to the Software License Agreement.

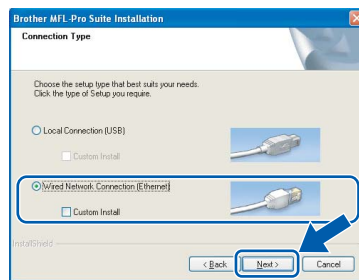


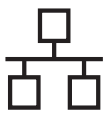
- e** The installation of ScanSoft™ PaperPort™ 11SE will automatically start and is followed by the installation of MFL-Pro Suite.

- f** When the Brother MFL-Pro Suite Software **License Agreement** window appears, click **Yes** if you agree to the Software License Agreement.

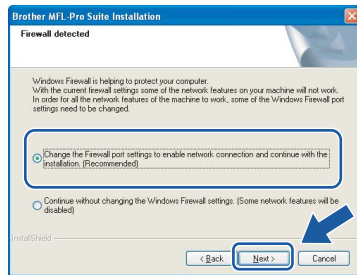


- g** Choose **Wired Network Connection**, and then click **Next**.

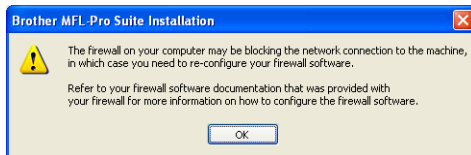




**h** For Windows® XP SP2/Windows Vista® users, when this screen appears, choose **Change the Firewall port settings to enable network connection and continue with the installation. (Recommended)** and click **Next**.



If you are using a firewall other than Windows® Firewall or Windows® Firewall is off, this screen may appear.

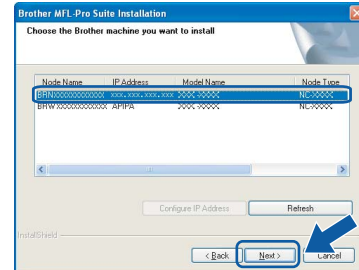


See the instructions provided with your firewall software for information on how to add the following network ports.

- For network scanning, add UDP port 54925.
- For network PC-Fax receiving, add UDP port 54926.
- If you still have trouble with your network connection, add UDP port 137.

## Note

- If the machine is configured for your network, choose the machine from the list, and then click **Next**.  
*This window will not appear if there is only one machine connected on the network, it will be chosen automatically.*



If your machine shows **APIPA** in the **IP Address** field, click **Configure IP Address** and enter an IP address for your machine that is suitable for your network.

- If the machine is not yet configured for use on your network, the following screen appears.



Click **OK**.

The **Configure IP Address** window will appear. Enter an IP address for your machine that is suitable for your network by following the on-screen instructions.

**i** The installation of the Brother drivers will automatically start. The installation screens appear one after another.

## Important

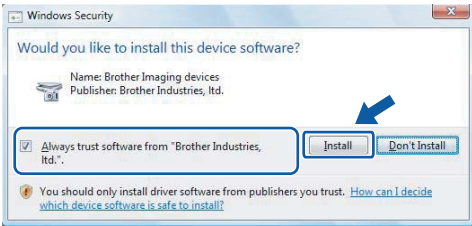
**DO NOT** cancel any of the screens during the installation. It may take a few seconds for all screens to appear.



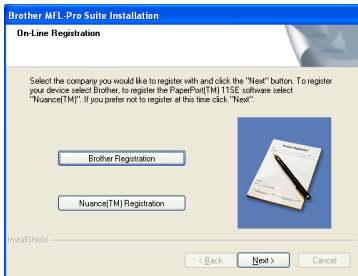


## Note

For Windows Vista®, when this screen appears, click the check box and click **Install** to complete the installation correctly.



**j** When the **On-Line Registration** screen is displayed, make your selection and follow the on-screen instructions. Once you have completed the registration process, close your web browser to return to this window. Then click **Next**.



## 19 Finish and restart

**a** Click **Finish** to restart your computer. After restarting the computer, you must be logged on with Administrator rights.



## Note

If an error message appears during the software installation, run the **Installation Diagnostics** located in **Start/All Programs/Brother/MFC-XXXX** (where MFC-XXXX is your model name).

## 20 Install MFL-Pro Suite on additional computers (If needed)

If you want to use your machine with multiple computers on the network, install MFL-Pro Suite on each computer. Go to step **18** on page 22. Also see step **15-a** on page 21 before you install.

## Note

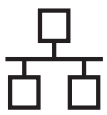
The MFL-Pro Suite Software License permits installation on up to 2 network computers. If you want to install MFL-Pro Suite on additional computers, you can purchase additional NL-5 (five user) license agreements from your authorized Brother dealer or contact Brother customer service.

### Finish

The installation is now complete.

Now go to

Proceed to Install Optional Applications on page 30.



## For Wired Network Interface Users (For Mac OS® X 10.2.4 or greater)

### 15 Before you install

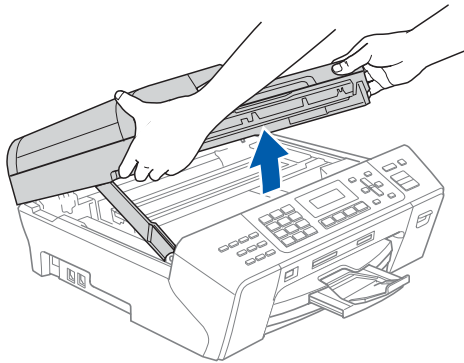
- a** Make sure your machine is connected to the power and your Macintosh® is ON. You must be logged on with Administrator rights.


#### Important

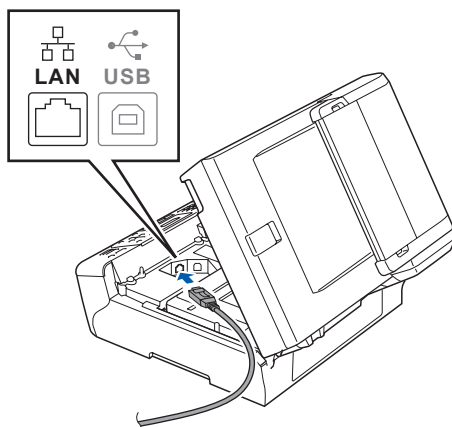
- For Mac OS® X 10.2.0 to 10.2.3 users, upgrade to Mac OS® X 10.2.4 or greater. (For the latest information for Mac OS® X, visit <http://solutions.brother.com/>)
- Make sure there are no memory cards or a USB Flash memory drive inserted.

### 16 Connect the network cable

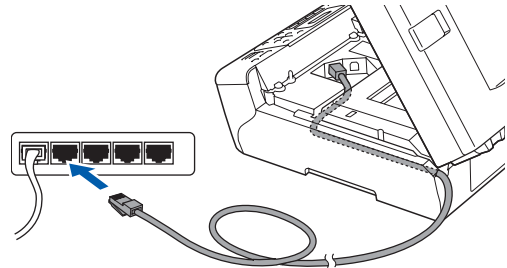
- a** Lift the scanner cover until it locks securely into the open position.



- b** Connect the network cable to the LAN socket marked with a  symbol. You will find the LAN socket inside the machine on the left as shown below.



- c** Carefully route the network cable through the trench and out the back of the machine. Then, connect the cable to your network.



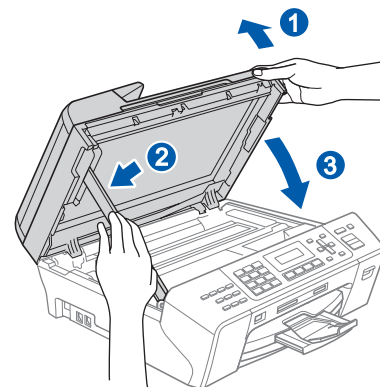
#### Important

Make sure that the cable does not restrict the cover from closing, or an error may occur.

#### Note

If both USB and LAN cables are being used, guide both cables through the trench with one on top of the other.

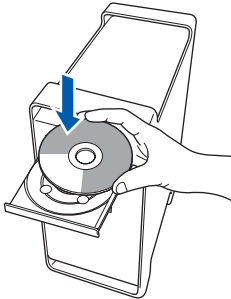
- d** Lift the scanner cover to release the lock **1**. Gently push the scanner cover support down **2** and close the scanner cover **3** using both hands.



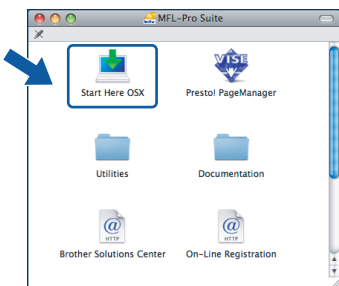


## 17 Install MFL-Pro Suite

- a** Put the supplied CD-ROM into your CD-ROM drive.



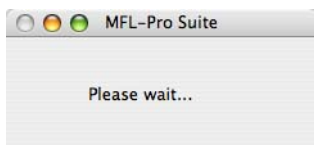
- b** Double-click the **Start Here OSX** icon to install.



### Note

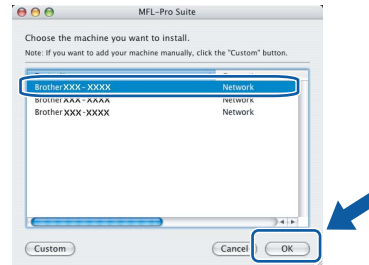
Please wait, it will take a few seconds for the software to install. After the installation, click **Restart** to finish installing the software.

- c** The Brother software will search for the Brother device. During this time the following screen will appear.



### Note

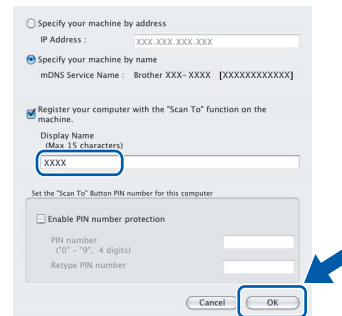
- If the machine is configured for your network, choose the machine from the list, and then click **OK**. This window will not appear if there is only one machine connected on the network, it will be chosen automatically. Go to **d**.



- If this screen appears click **OK**.



Enter a name for your Macintosh® in **Display Name** up to 15 characters long and click **OK**. Go to **d**.

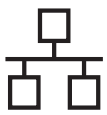


- If you want to use the machine's **Scan** key to scan over the network you must check the **Register your computer with the "Scan To" function on the machine box**.
- The name you enter will appear on the machine's LCD when you press the **Scan** key and choose a scan option. (For more information, see *Network Scanning in the Software User's Guide on the CD-ROM*.)

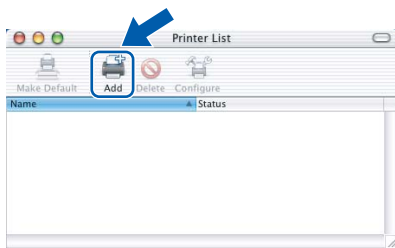
- d** When this screen appears, click **OK**.



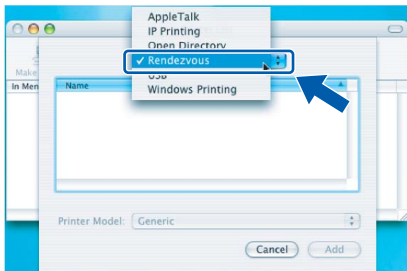
- OK!** For Mac OS® X 10.3.x or greater, the installation of MFL-Pro Suite is now complete. Go to step **18** on page 29.



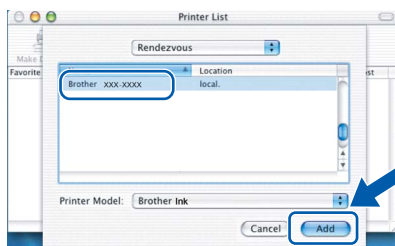
- e** For Mac OS® X 10.2.4 to 10.2.8 users, click **Add**.



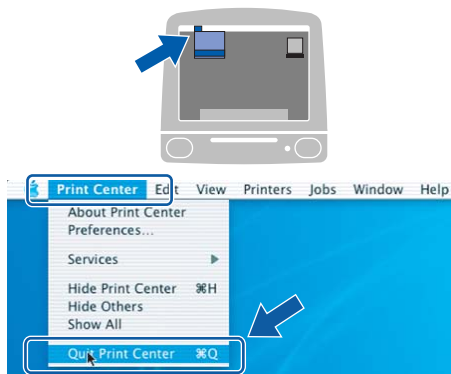
- f** Make the selection shown below.



- g** Choose **XXX-XXXX** (where XXX-XXXX is your model name), and then click **Add**.



- h** Click **Print Center**, then **Quit Print Center**.



- OK!** The installation of MFL-Pro Suite is now complete.  
Go to step **18** on page 29.



## 18 Install Presto!® PageManager®

When Presto!® PageManager® is installed OCR capability is added to Brother ControlCenter2. You can easily scan, share and organize photos and documents using Presto!® PageManager®.

- a** Double-click the **Presto! PageManager** icon and follow the on-screen instructions.



For Mac OS® X 10.2.4 to 10.3.8 users, when this screen appears, click **Go** to download the software from the Brother Solutions Center website.



## 19 Install MFL-Pro Suite on additional computers (If needed)

If you want to use your machine with multiple computers on the network, install MFL-Pro Suite on each computer. Go to step **17** on page 27. Also see step **15-a** on page 26 before you install.

**Finish**

**The installation is now complete.**

## 1 Install FaceFilter Studio supported by Reallusion, Inc

FaceFilter Studio is an easy-to-use borderless photo printing application. FaceFilter Studio also lets you edit your photo data and add photo effects such as red eye reduction or skin tone enhancement.

### Important

- The machine must be ON and connected to the computer.
- The computer must be connected to the Internet.

- Open the main menu again by ejecting and then reinserting the CD-ROM or by double-clicking the **start.exe** program from the root folder.
- The CD-ROM main menu will appear. Choose your language and then click **Additional Applications**.



- Click the **FaceFilter Studio** button to install.



## 2 Install FaceFilter Studio Help

To get instructions on how to use FaceFilter Studio, download and install FaceFilter Studio Help.

- To run FaceFilter Studio, go to **Start/All Programs/Reallusion/FaceFilter Studio** on your computer.
- Click the **?** button on the upper right corner of the screen.
- Click **Check for updates** to go to the Reallusion update web page.



- Click the **Download** button and choose a folder to save the file in.
- Close FaceFilter Studio before you start the installer for FaceFilter Studio Help. Double-click the downloaded file from the folder you specified and follow the on-screen instructions for installation.

### Note

To view the complete FaceFilter Studio Help, choose **Start/All Programs/Reallusion/FaceFilter Studio/FaceFilter Studio Help** on your computer.

## 3 Install BookScan&Whiteboard Suite supported by Reallusion, Inc

You can install **BookScan&Whiteboard Suite**. The **BookScan Enhancer** software can correct your scanned book images automatically. The **Whiteboard Enhancer** software cleans up and enhances text and images from photos taken of your whiteboard. (Internet access required.)

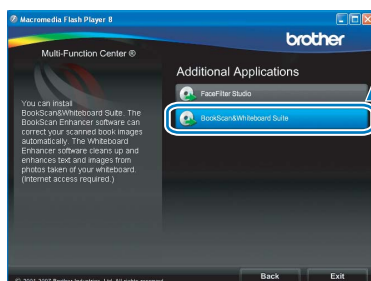
### Important

- The machine must be ON and connected to the computer.
- The computer must be connected to the Internet.

- Open the main menu again by ejecting and then reinserting the CD-ROM or by double-clicking the **start.exe** program from the root folder.
- The CD-ROM main menu will appear. Choose your language and then click **Additional Applications**.



- Click the **BookScan&Whiteboard Suite** button to install.



## BRAdmin Light utility (For Windows® users)

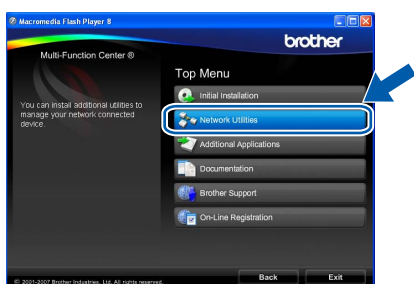
BRAdmin Light is a utility for initial setup of Brother network connected devices. It also can search for Brother products on your network, view the status and configure basic network settings, such as IP address. For more information on BRAdmin Light, visit us at <http://solutions.brother.com/>.

### Note

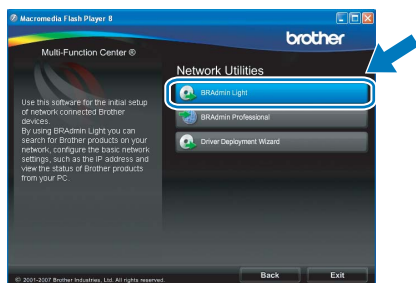
If you require more advanced printer management, use the latest Brother BRAdmin Professional utility version that is available as a download from <http://solutions.brother.com/>.

## Install the BRAdmin Light configuration utility

- a** Click **Network Utilities** on the menu screen.



- b** Click **BRAdmin Light** and follow the on-screen instructions.

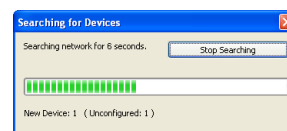


## Set your IP address, Subnet Mask and Gateway using BRAdmin Light

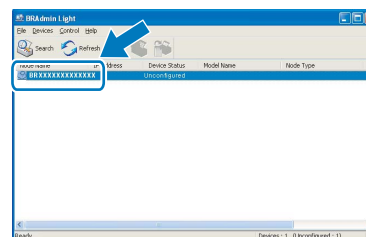
### Note

If you have a DHCP/BOOTP/RARP server in your network, you don't have to do the following operation. The machine will automatically obtain its own IP address.

- a** Start BRAdmin Light. It will search for new devices automatically.



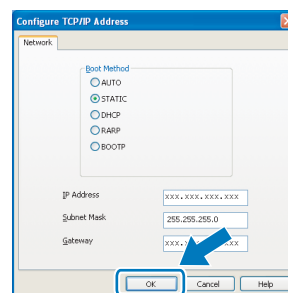
- b** Double-click the unconfigured device.



### Note

The default password for the machine is 'access'. You can use BRAdmin Light to change this password.

- c** Choose **STATIC** for the **Boot Method**. Enter the **IP Address**, **Subnet Mask** and **Gateway**, and then click **OK**.



- d** The address information will be saved to the machine.



## BRAdmin Light utility (For Mac OS® X users)

BRAdmin Light is a utility for initial setup of Brother network connected devices. It also can search for Brother products on your network, view the status and configure basic network settings, such as IP address from a computer running Mac OS® X 10.2.4 or greater.

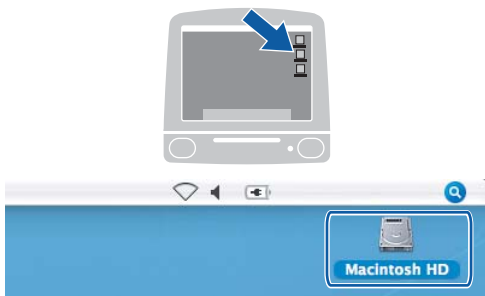
The BRAdmin Light software will be installed automatically when you install the printer driver. If you have already installed the printer driver, you don't have to install BRAdmin Light again. For more information on BRAdmin Light, visit us at <http://solutions.brother.com/>.

### Set your IP address, Subnet Mask and Gateway using BRAdmin Light

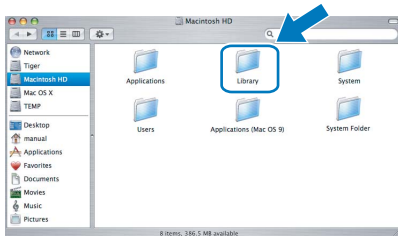
#### Note

- If you have a DHCP/BOOTP/RARP server in your network, you don't have to do the following operation. The machine will automatically obtain its own IP address.
- Make sure that version 1.4.1\_07 or later of Java™ client software is installed on your computer.
- The default password for the machine is 'access'. You can use BRAdmin Light to change this password.

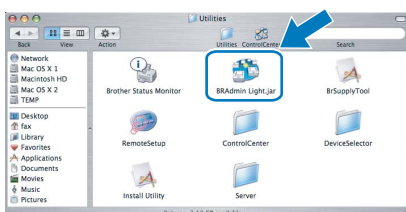
- a** Double-click the **Macintosh HD** icon on your desktop.



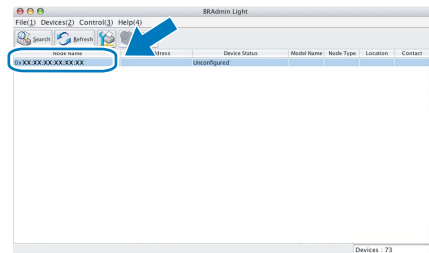
- b** Choose **Library**, **Printers**, **Brother** and then **Utilities**.



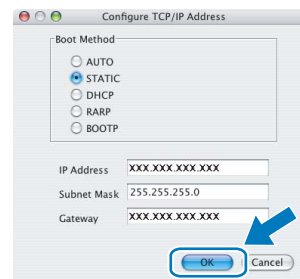
- c** Double-click the file **BRAdmin Light.jar** and run the software. BRAdmin Light will then search for new devices automatically.



- d** Double-click the unconfigured device.



- e** Choose **STATIC** for the **Boot Method**. Enter the **IP Address**, **Subnet Mask** and **Gateway**, and then click **OK**.

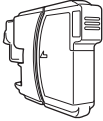

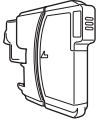
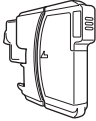


- f** The address information will be saved to the machine.

## Replacement consumables

When the time comes to replace ink cartridges, an error message will be indicated on the LCD. For more information about the ink cartridges for your machine, visit <http://www.brother.com/original/> or contact your local Brother re-seller.

### Ink cartridge

Black	Yellow	Cyan	Magenta
LC61BK	LC61Y	LC61C	LC61M
			

#### What is Innobella™?

Innobella™ is a range of genuine consumables offered by Brother. The name "Innobella™" derives from the words "Innovation" and "Bella" (meaning "Beautiful" in Italian) and is a representation of the "innovative" technology providing you with beautiful and long lasting print results.



#### Trademarks

The Brother logo is a registered trademark of Brother Industries, Ltd.

Brother is a registered trademark of Brother Industries, Ltd.

Multi-Function Link is a registered trademark of Brother International Corporation.

Windows Vista is either a registered trademark or a trademark of Microsoft Corporation in the United States and other countries.

Microsoft, Windows and Windows Server are registered trademarks of Microsoft Corporation in the United States and/or other countries.

Macintosh and TrueType are registered trademarks of Apple Inc.

Nuance, the Nuance logo, PaperPort and ScanSoft are trademarks or registered trademarks of Nuance Communications, Inc. or its affiliates in the United States and/or other countries.

Presto! PageManager is a registered trademark of NewSoft Technology Corporation.

PictBridge is a trademark.

FaceFilter Studio is a trademark of Reallusion, Inc.

Each company whose software title is mentioned in this manual has a Software License Agreement specific to its proprietary programs.

**All other brand and product names mentioned in this manual are trademarks or registered trademarks of their respective companies.**

#### Compilation and Publication

Under the supervision of Brother Industries, Ltd., this manual has been compiled and published, covering the latest product descriptions and specifications.

The contents of this manual and the specifications of this product are subject to change without notice.

Brother reserves the right to make changes without notice in the specifications and materials contained herein and shall not be responsible for any damages (including consequential) caused by reliance on the materials presented, including but not limited to typographical and other errors relating to the publication.

#### Copyright and License

©2008 Brother Industries, Ltd.

This product includes software developed by the following vendors:

©1983-1998 PACIFIC SOFTWAREWORKS, INC.

## Free Manuals Download Website

<http://myh66.com>

<http://usermanuals.us>

<http://www.somanuals.com>

<http://www.4manuals.cc>

<http://www.manual-lib.com>

<http://www.404manual.com>

<http://www.luxmanual.com>

<http://aubethermostatmanual.com>

Golf course search by state

<http://golfingnear.com>

Email search by domain

<http://emailbydomain.com>

Auto manuals search

<http://auto.somanuals.com>

TV manuals search

<http://tv.somanuals.com>