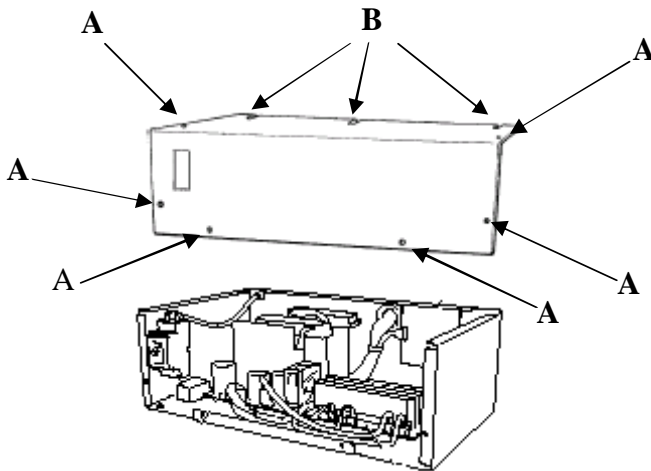


Title: Replacing Power Supply Board

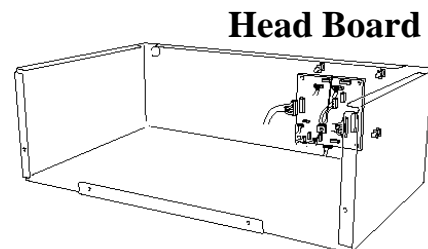
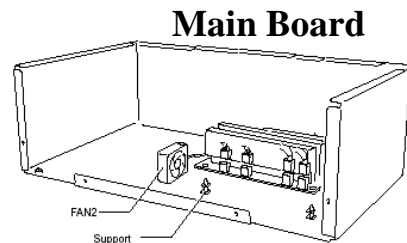
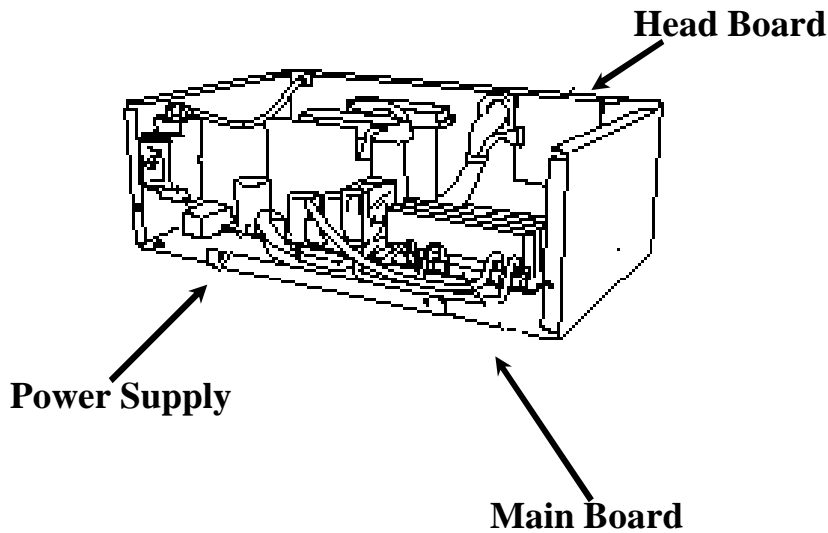
Date: February 25, 2009

Models: BE-901, BE-901-PC, BE-1201, BE-1201-PC, BES-916, BES-1216

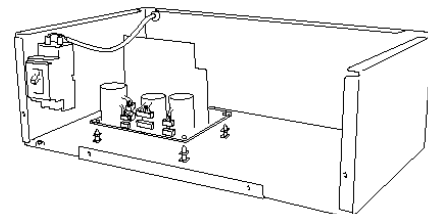
1. Make sure machine is OFF and Unplugged.
2. Remove cover assy. (Six screws removed "A", Three loosened "B")



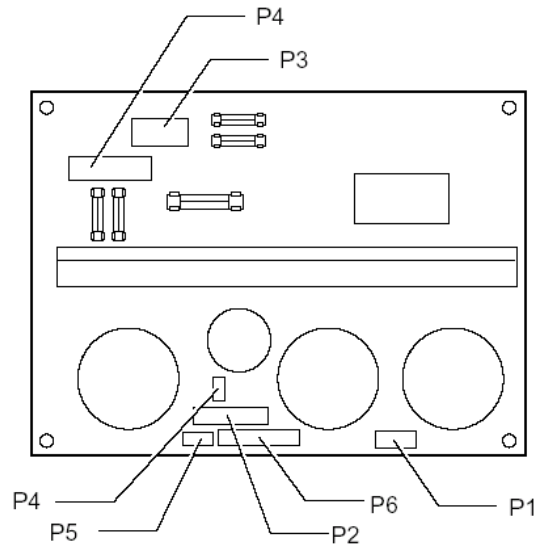
3. Identifying Main Board. (Also: Power Supply, and Head Board)



Power Supply



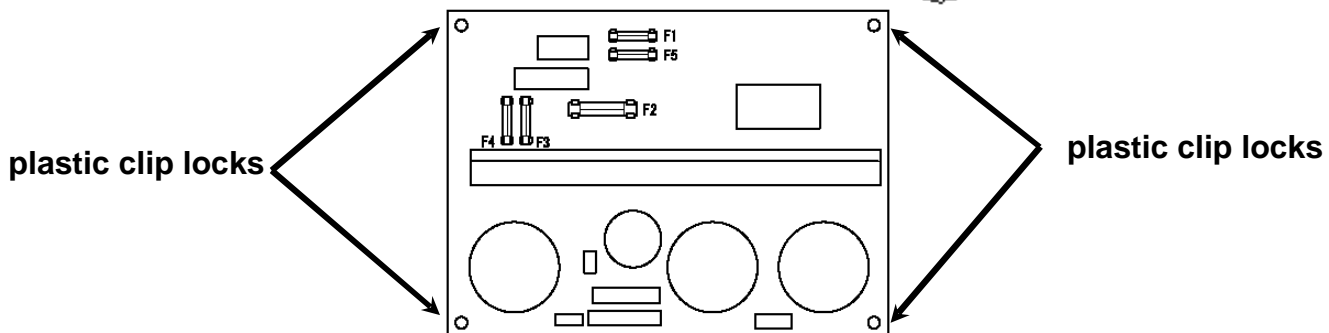
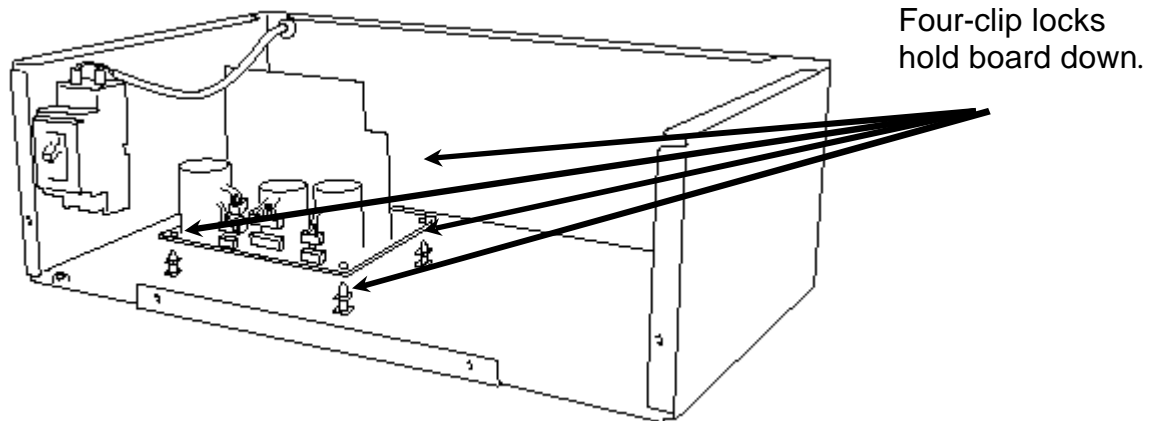
4. Unplugging all wire connector harnesses. P1, P2, P3, P4, P5, and P6.



5. Unplug all connectors to remove board. However, keep in mind that connectors only go in one spot and can not be confused.

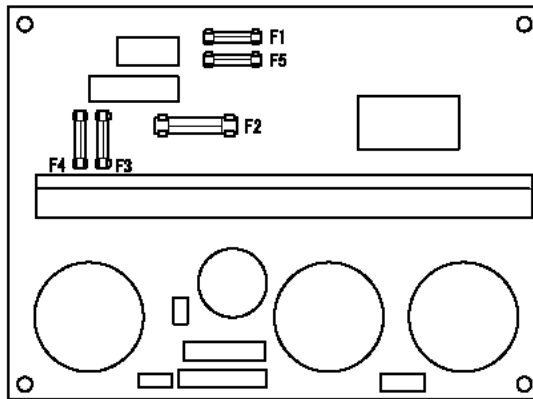
6. Board is held inplace by plastic clip locks. In order to unlock you will need to squeeze locks and lightly pull-up on board to release.

(Fig. 1-1)



7. Once you remove old board you are ready to install the new one. Things to look for before installing.

A. Fuses: If the new board is missing fuses remove from old board to install on new board.



Replacing fuse

(NOTE) The problems are listed below for your reference to replace a fuse.

(NOTE) Use the same type and rating of a fuse to replace.

(NOTE) Tighten a fuse socket securely when you replace a fuse.

Fuse No.	Problem
F1, F5	Sewing machine motor does not run at all. Overload.
F2	- X and Y carriages do not move at all. Home position detection error occurs. - Solenoid does not operate. (Thread trimmer does not function)
F3	- Needle bar case locking. - Bobbin winder motor does not operate. - Looling fan does not rotate. Fan motor error occurs.
F4	Operation panel display is blank and the sewing machine does not operate.

No.	Fuse type & capacity	Part code
F1, F5	Fuse 5A (Slow blow fuse)	415814001
F2	Fuse 15A (Glass tube fuse)	S02887000
F3	Fuse 5A (Slow blow fuse)	415814001
F4	Fuse 5A (Slow blow fuse)	415814001

(NOTE) Be sure to use only fuses of authorized types and capacities.

8. Installing board, please follow reverse instructions of removal.

9. After board is installed and all plugged in you are ready to plug machine into outlet and turn on for operation.

Free Manuals Download Website

<http://myh66.com>

<http://usermanuals.us>

<http://www.somanuals.com>

<http://www.4manuals.cc>

<http://www.manual-lib.com>

<http://www.404manual.com>

<http://www.luxmanual.com>

<http://aubethermostatmanual.com>

Golf course search by state

<http://golfingnear.com>

Email search by domain

<http://emailbydomain.com>

Auto manuals search

<http://auto.somanuals.com>

TV manuals search

<http://tv.somanuals.com>