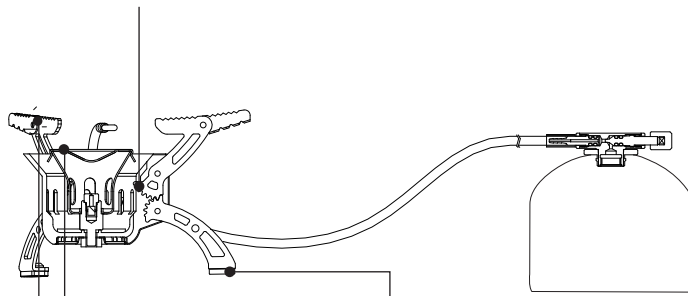


CHARACTERISTICS

The pot support and legs are connected via an ingenious gearing system which allows them to (un)fold simultaneously.



Brunton employs a heat resistant anti-corrosion stainless steel for the flame spreader

Non-slip rubber feet.

Easy to ignite with match or lighter through ignition port.

WARRANTY

Brunton warrants this product to be free of defects in workmanship and materials for the lifetime of the original owner, and is nontransferable. If you have any problems with your Lander stove, the stove should be returned to the dealer or sent to Brunton, 2255 Brunton Court, Riverton, WY 82501 U.S.A. Please contact Brunton at the number below to obtain RA#. Clean food and soot from stove before shipping. Shipping cost to Brunton is the responsibility of the purchaser. Return postage will be paid by Brunton. Please return this warranty card to Brunton as a proof of purchase. This warranty does not cover damage caused by accident, misuse, abuse, or tampering. A nominal charge will be assessed to repair such damage.

BRUNTON
www.brunton.com

2255 Brunton Court, Riverton, WY USA 82501
PH: 307.857.4700

LIMITS OF LIABILITY

Brunton assumes no responsibility for any inconvenience, loss, or injury, direct or consequential damage arising from possession or use of the goods. This warranty gives you specific legal rights which may vary from state to state. Check with your local state about your rights.

WARNING

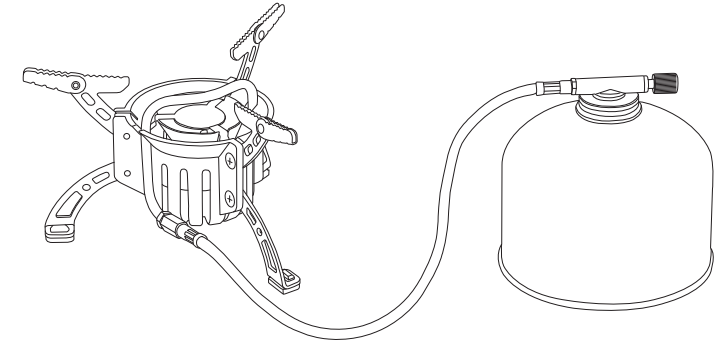
- Only use in well ventilated areas.
- Do not move or leave it unattended while in use.
- Keep away from children.
- Do not operate near flammable materials.

BRUNTON

LANDER™

Instructions for butane canister

81-100692



- Use outdoors only and do not allow children to reach. -

Read, understand and follow all instructions and warnings before using the stove. Fuel bottle is not included, the bottle is to be purchased separately.

BRUNTON
www.brunton.com

SPECIFICATIONS

Item Name : Lander

Model No. : 81-100892

Dimension : 100 x 80 x 80mm (stove)

Weight : 16 oz.

Ignition : Manual

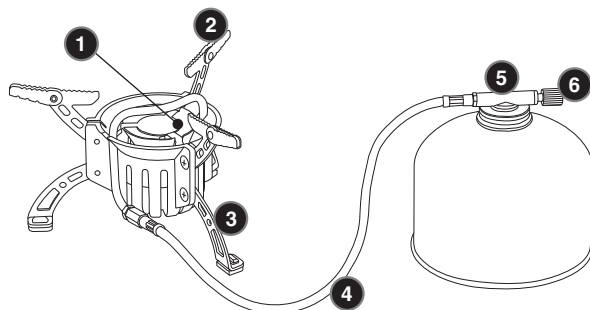
Output : Butane

Usable Fuel : Butane propane mix

Burn time : 90 min.

“After use gas canister, please puncture and put it in recycle bin.”

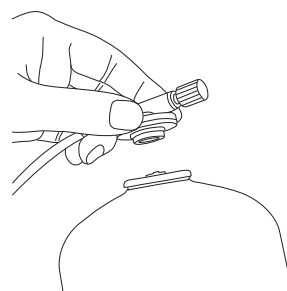
PARTS



- 1 Spreader
- 2 Pot support (Use cooker less than 20cm diameter)
- 3 Leg (Foldable support and leg for compact size)
- 4 Fuel hose (Fluorine rubber with woven wires)
- 5 Valve
- 6 Knob

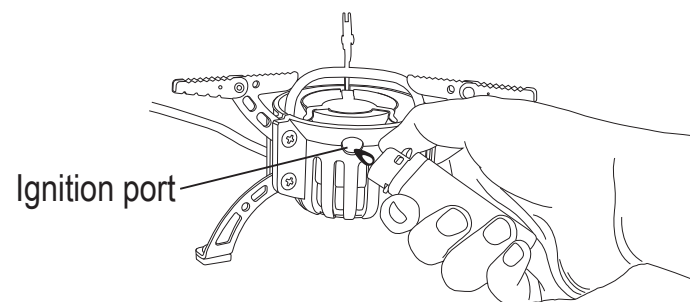
OPERATING THE STOVE

• CONNECTION & DISCONNECTION



Check the rubber seal in the valve. Turn the valve clock-wise until the valve is firmly connected to the canister. Check for any leaks before igniting stove. Turn the butane canister counter-clockwise to disconnect the stove.

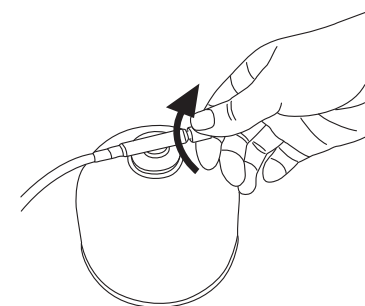
After connection, turn the knob counter-clockwise slowly and light the stove through the ignition port as shown in the picture below. After ignition, adjust the flame output as desired.



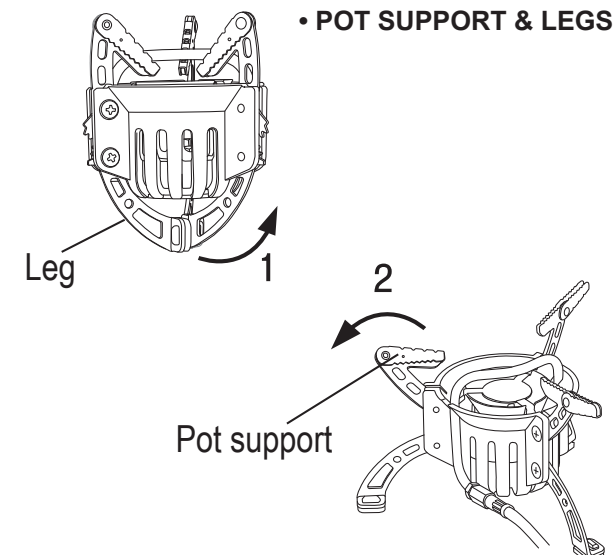
OPERATING THE STOVE - continued

• EXTINGUISHMENT

Turn the knob clockwise until fuel no longer enters the stove. Disconnect the stove and gas canister after the stove has cooled.



• POT SUPPORT & LEGS







Safety Instructions

WARNING

To avoid serious injury please read the following instructions.

Caution

-  Avoid heat, fire or a direct sunlight and keep the stove in a well ventilated area.
-  After emptying the canister, punch a whole in the bottom to recycle.
-  If there is unusual combustion, make sure the control knob is set to the 'OFF' position and remove the canister from the appliance.
-  If any gas leaks, turn off the gas immediately and return the stove to Brunton.

Important Safety Warnings (prior to using the Lander)

To avoid injury, it is extremely important that you read, understand and follow all instructions and warnings in this manual before using the Lander-DF. Gain acquaintance with all parts and functions of the stove before using it, and practice using and maintaining prior to taking it on a trip. Failure to follow all warnings and instructions could result in fire, property damage, serious injury or death!

Contact the place of purchase or Brunton if you have any questions.

- A. WARNING:** DO NOT light or use the Lander-DF indoors or in an unventilated area. This stove consumes oxygen and produces carbon monoxide, which can be deadly.
- B. WARNING:** DO NOT light or use the stove near, or on top of flammable materials. Minimum distance to flammable materials is 3 feet (1 meter) from the side of stove and 5 feet (1.5 meters) above stove. Always light and use the stove with caution.
- C. NEVER** cover the stove and fuel bottle with wind shields, rocks or similar. This could cause overheating and damage the stove and fuel bottle.
- D. NEVER** use the stove near other lit stoves, open fire or other heat sources.
- E. NEVER** leave a lighted stove unattended.
- F. NEVER** let children use the stove, and ALWAYS supervise children in the vicinity of the stove.

Important Safety Warnings - continued

- G. NEVER** relight a hot stove. Let the stove cool prior to priming and lighting again. A hot stove may vaporize liquid fuel and cause a dangerous fireball when relighting.
- H. NEVER** release air pressure by unscrewing the pump from the fuel bottle. Instead, release air pressure by using the bottle's Flip-stop feature, when connected to the burner.
- I. ALWAYS** release air pressure using Flip-stop feature prior to disconnecting, packing or disassembling the stove.
- J. NEVER** move or shake a lighted stove.
- K. ALWAYS** place stove on a flat, firm surface before lighting.
- L. ALWAYS** let the stove cool completely, before moving, disassembling or packing it.
- M. NEVER** use the stove any other way than as described in this manual. The Lander-DF is intended for outdoor cooking only, and is not designed for use with large capacity cookware. Maximum pot diameter is 9 inches (22 cm). Maximum pot weight including food/water/drink is 8 pounds (4 kg).

Maintenance

Cause	Caution	Step
DIRT OR OTHER DEBRIS	Dirt can be a cause of rust and damage.	Clean the dirt from the appliance with dried cloth using a neutral detergent.
RUST OR OTHER STAINS	Do not use thinner or benzene. Also do not use metallic cleaners. They can damage coated surface of appliance.	Clean the stain from the appliance with dried cloth using a soft detergent.

Before using, make sure to check for gas leaks. Do not disassemble a gas valve or pump assembly.

• For optimal performance

- ① Keep clean, cool and well dried.
- ② After using, disconnect the gas canister from the stove.
- ③ Disconnect pump assembly from the fuel bottle and put the fuel cap on.

Troubleshooting

Cause \ Result	Result							
	Hard to ignite	Will not ignite	Weak thermal power	Flames out while in use	Does not turn off	Flame lifting	Fuel smell while off	
Little gas	●	●	●	●				exchange with a new canister
Nozzle clogging	●	●	●	●				puncture nozzle with nozzle pin
Defective valve	●	●	●		●	●		ask for repair service
Defective control knob	●	●		●	●	●	●	ask for repair service

BRUNTON®

Free Manuals Download Website

<http://myh66.com>

<http://usermanuals.us>

<http://www.somanuals.com>

<http://www.4manuals.cc>

<http://www.manual-lib.com>

<http://www.404manual.com>

<http://www.luxmanual.com>

<http://aubethermostatmanual.com>

Golf course search by state

<http://golfingnear.com>

Email search by domain

<http://emailbydomain.com>

Auto manuals search

<http://auto.somanuals.com>

TV manuals search

<http://tv.somanuals.com>