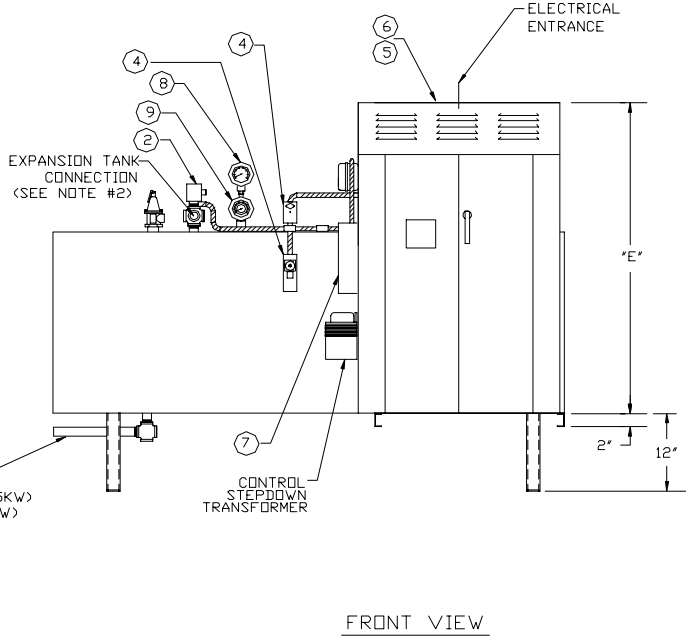
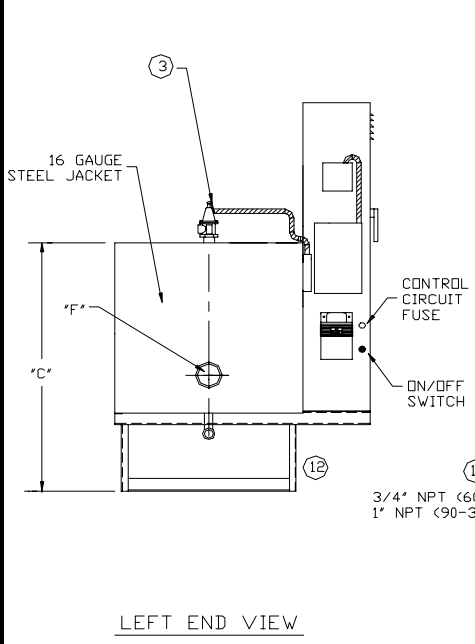
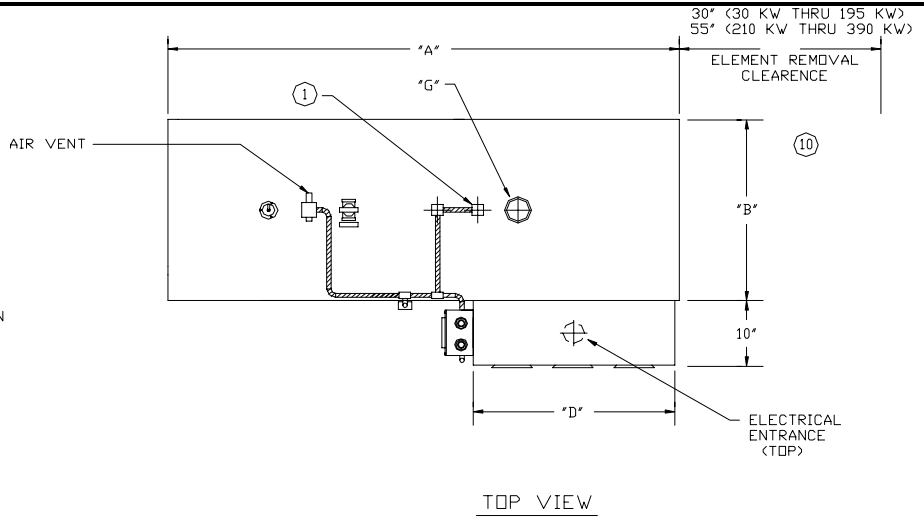


BE Series Electric Boiler

150 psi Water Design 30 kw to 390 kw

EFFECTIVE DATE: 3-1-04
REPLACED DATE : 4-13-83

- NOTES:
 1. DIMENSIONS ARE SUBJECT TO CHANGE WITHOUT NOTICE. CONSULT FACTORY FOR CERTIFIED DIMENSIONS.
 2. TIE IN OF EXPANSION TANK CONNECTION IS ESSENTIAL TO INSURE PROPER OPERATION OF THE LOW WATER CUT-OFF FLOAT
 3. NOT INTENDED FOR USE AS A PRINCIPAL HEATING SOURCE FOR LIVING SPACE OF AN INDIVIDUAL RESIDENCE



- | | | |
|--|---|--|
| 1. OPERATOR
2. PROBE TYPE LWCO
3. RELIEF VALVE
4. AQUASTAT (HIGH LIMIT) | 5. POWER PANEL
6. CONTROL PANEL
7. STEP CONTROLLER
8. PRESSURE GAUGE | 9. TEMPERATURE GAUGE
10. ELEMENT ACCESS
11. DRAIN
12. STRUCTURAL STEEL LEGS |
|--|---|--|

KW	WATER							KW	WATER														
	Vessel Dimensions			Power Panel Voltage					Inlet		Outlet		Vessel Dimensions			Power Panel Voltage				Inlet		Outlet	
	length	width	height	208-230/3/60		380,460-575			D	E	F	G	length	width	height	208-230/3/60		380,460-575		D	E	F	G
30	48	20	32	30	36	20	24	2	2	2	2	180	48	28	40	30	66	30	36	3	3		
45	48	20	32	30	36	20	24	2	2	2	2	195	48	28	40	30	66	30	48	3	3		
60	48	20	32	30	36	20	24	2	2	2	2	210	76	28	40	N/A	N/A	30	48	3	3		
75	48	20	32	30	36	20	24	2	2	2	2	240	76	28	40	N/A	N/A	30	48	3	3		
90	48	28	40	30	36	20	30	3	3	3	3	270	76	28	40	N/A	N/A	30	66	3	3		
105	48	28	40	30	48	30	36	3	3	3	3	300	76	28	40	N/A	N/A	30	66	3	3		
120	48	28	40	30	48	30	36	3	3	3	3	330	76	28	40	N/A	N/A	30	66	3	3		
135	48	28	40	30	66	30	36	3	3	3	3	360	76	28	40	N/A	N/A	30	66	3	3		
150	48	28	40	30	66	30	36	3	3	3	3	390	76	28	40	N/A	N/A	30	66	3	3		
165	48	28	40	30	66	30	36	3	3	3	3												

Free Manuals Download Website

<http://myh66.com>

<http://usermanuals.us>

<http://www.somanuals.com>

<http://www.4manuals.cc>

<http://www.manual-lib.com>

<http://www.404manual.com>

<http://www.luxmanual.com>

<http://aubethermostatmanual.com>

Golf course search by state

<http://golfingnear.com>

Email search by domain

<http://emailbydomain.com>

Auto manuals search

<http://auto.somanuals.com>

TV manuals search

<http://tv.somanuals.com>