

MODEL 213R
LEGACY™-RNC SERIES HEAT PUMP
SIZES 018 TO 060
1-1/2 TO 5 NOMINAL TONS



Product Data



Shown with optional dense coil guard

FEATURES / BENEFITS

Efficiency

- 13 SEER/ 11 EER / Up to 8.6 HSPF (Nominal)
- Microtube Technology™ refrigeration system
- Indoor air quality accessories available

Sound

- Sound level as low as 75 dBA

Comfort

- System supports Thermidistat™ or standard thermostat controls

Reliability

- Front-seating service valves
- Scroll compressor
- Filter drier
- Loss of charge pressure switch
- Balanced refrigeration system for maximum reliability

Durability

DuraGuard™ protection package:

- Solid, Durable sheet metal construction
- Wire coil guard
- Baked-on, complete coverage, powder paint

Applications

- Long-line - up to 250 feet total equivalent length, up to 200 feet condenser above evaporator, or up to 80 ft. evaporator above condenser (See Longline Guide for more information.)
- Low ambient (down to -20°F) with accessory kit

Warranty

Single Phase

- 5 year limited compressor warranty
- 5 year limited parts warranty

Three Phase

- 5 year limited compressor warranty
- 1 year limited parts warranty

MODEL NUMBER NOMENCLATURE

1	2	3	4	5	6	7	8	9	10	11	12	14
N	N	N	A	A/N	N	N	N	N	A/N	A/N	N	A
2	1	3	R	N	A	0	3	6	0	0	0	0
Product Family	Tier	SEER	Major Series	Voltage	Variations	Cooling Capacity			Open	Open	Open	Series
2=HP	1= Legacy RNC	3=13 SEER	R=R-22	N= 208/230-1 P=208/230-3 E=460/3	A = Standard G=Dense Coil Guard	0=Not Defined			0=Not Defined	0=Not Defined	A = Original Series	

213R



As an Energy Star® Partner, Bryant Heating & Cooling Systems has determined that this product meets the ENERGY STAR® guidelines for energy efficiency.

Refer to the combination ratings in Product Data for system combinations that meet Energy Star guidelines.

STANDARD FEATURES

Feature	18	24	30	36	42	48	60
13 SEER	X	X	X	X	X	X	X
Scroll Compressor	X	X	X	X	X	X	X
Wire Coil Guard	X	X	X	X	X	X	X
Field Installed Filter Drier	X	X	X	X	X	X	X
Front Seating Service Valves	X	X	X	X	X	X	X
Internal Pressure Relief Valve	X	X	X	X	X	X	X
Internal Thermal Overload	X	X	X	X	X	X	X
Long Line capability	X	X	X	X	X	X	X
Low Ambient capability with Kit	X	X	X	X	X	X	X
Loss of Charge Pressure Switch	X	X	X	X	X	X	X

PHYSICAL DATA

UNIT SIZE – SERIES	018–A	024–A	030–A	036–A	042–A	048–A	060–A
Operating Weight (lb)	159	160	208	211	233	269	295
Shipping Weight (lb)	184	185	240	242	262	300	327
Compressor Type	Scroll						
REFRIGERANT	Freon® (R–22)						
Control	TXV (R–22 Hard Shutoff)						
Charge (lb)	5.5	6	7.5	8	10	14	15.5
COND FAN	Propeller Type, Direct Drive						
Air Discharge	Vertical						
Air Qty. (CFM)	2233	2614	2614	3334	3334	4046	4046
Motor HP	1/12	1/10	1/10	1/8	1/8	1/5	1/5
Motor RPM	800	1100	1100	800	800	800	800
COND COIL							
Face Area (Sq. ft.)	15.09	15.09	25.87	22.63	17.6	22.63	25.15
Fins per In.	20	20	20	20	20	20	20
Rows	1	1	1	1	2	2	2
Circuits	5	6	6	6	7	8	9
VALVE CONNECT. (In. ID)							
Vapor	5/8"	5/8"	3/4"	3/4"	7/8"	7/8"	7/8"
Liquid	3/8"						
REFRIGERANT TUBES* (In. OD)							
Vapor (0–80 Ft. Tube Length)	5/8"	5/8"	3/4"	3/4"	7/8"	7/8"	1–1/8"
Liquid (0–80 Ft. Tube Length)	3/8"						

* For tubing sets between 80 and 200 ft. horizontal or 20 ft. vertical differential, consult the Longline Guideline.

Note: See unit Installation Instruction for proper installation.

VAPOR LINE SIZING AND COOLING CAPACITY LOSS 1-STAGE HEAT PUMP APPLICATIONS

LONG LINE APPLICATION: An application is considered "Long line" when the total equivalent tubing length exceeds 80 ft. or when there is more than 20 Ft. vertical separation between indoor and outdoor units. These applications require additional accessories and system modifications for reliable system operation. The maximum allowable total equivalent length is 250 ft. The maximum vertical separation is 200 ft. when outdoor unit

is above indoor unit, and 60 ft. when the outdoor unit is below the indoor unit. Refer to Accessory Usage Guideline below for required accessories. See Long-Line Application Guideline for required piping and system modifications. Also, refer to the table below for the acceptable vapor tube diameters based on the total length to minimize the cooling capacity loss.

Unit Nominal Size (Btuh)	Acceptable Vapor Line Diameter OD (in.)	Cooling Capacity Loss (%) Total Equivalent Line Length (ft.)										
		Standard Application			Long Line Application Requires Accessories							
		25	50	80	80+	100	125	150	175	200	225	250
18000 R–22 HP	5/8	0	1	1	1	2	3	3	4	5	5	6
	3/4	0	0	0	0	0	1	1	1	1	2	2
24000 R–22 HP	5/8	0	1	3	3	3	5	6	7	8	9	10
	3/4	0	0	0	0	1	1	1	2	2	3	3
30000 R–22 HP	3/4	0	1	1	1	2	3	3	4	5	5	6
	7/8	0	0	0	0	1	1	1	2	2	2	3
36000 R–22 HP	3/4	0	1	2	2	3	4	5	6	7	8	9
	7/8	0	0	1	1	1	2	2	3	3	4	4
42000 R–22 HP	7/8	0	1	1	1	2	2	3	4	4	5	5
48000 R–22 HP	7/8	0	1	2	2	2	3	4	5	5	6	7
60000 R–22 HP	7/8	1	2	3	3	4	5	7	8	9	10	11
	1 1/8	0	0	1	1	1	1	2	2	2	3	3

Standard Length = 80 ft. or less total equivalent length

Applications in this area are long line. Accessories are required as shown recommended on Long Line Application Guidelines

Applications in this area may have height restrictions that limit allowable total equivalent length, when outdoor unit is below indoor unit. See Long Line Application Guidelines

ACCESSORY THERMOSTATS

THERMOSTAT / SUBBASE PKG.	DESCRIPTION
TSTATBBPRH01 – B*	Thermidistat™ Control — Non–Programmable/Programmable Thermostat with Humidity Control (For use in Dual Fuel, AC, HP, and 2S applications. Includes Outdoor Air Temperature Sensor.)
TSTATBBPHH01 – B*	HybridHeat™ (Dual Fuel) Thermostat — Auto Changeover, 7–Day Programmable, °F/°C, Includes Outdoor Sensor (TSTATXXSEN01 – B)
TSTATBBPHP01 – B	Thermostat — Auto Changeover, 7–Day Programmable, °F/°C, 2–Stage Heat, 1–Stage Cool
TSTATBBNHP01 – C	Thermostat — Auto Changeover, Non–Programmable, °F/°C, 2–Stage Heat, 1–Stage Cool
TSTATBBSHP01	Standard Programmable Thermostat—Manual Changeover, 5–2 Day Programmable, °F/°C, 1–Stage Heat/ 1–Stage Cool
TSTATBBBHP01* – B	Builder's Thermostat — Heat Pump, Non–Programmable, °F/°C, 2–Stage Heat, 1–Stage Cool, Manual Changeover
TSTATXXSEN01 – B**	Outdoor Air Temperature Sensor
TSTATXXNBP01	Backplate for Non–Programmable Thermostat
TSTATXXBP01	Backplate for Programmable Thermostat and Thermidistat™ Control
TSTATXXSBP01	Backplate for Standard Programmable Thermostat
TSTATXXBBP01	Backplate for Builder's Thermostat
TSTATXXCNV10†	Thermostat Conversion Kit (4 to 5 Wire) — 10 Pack

* Do not use in zoning heat pump applications.

** Outdoor temperature sensor is an accessory for all Bryant electronic thermostats, except the non–programmable air conditioner version and builder's thermostats. It allows the temperature at a remote location (outdoors) to be displayed on the thermostat. The outdoor air temperature sensor must be used with the HybridHeat™ (dual fuel) thermostat.

† Thermostat conversion kit is a 24–vac accessory that can turn a 4–wire thermostat application into a 5–wire application. This kit can also be used to replace a broken thermostat wire, or add an extra wire when needed.

The outdoor air temperature sensor is included with the Thermidistat Control and HybridHeat™ (dual fuel) thermostat.

ACCESSORIES

ORDER NUMBER	DESCRIPTION	(N)	(N)	(N)	(P)	(N)	(P)	(E)	(N)	(P)	(E)	(N)	(P)	(E)	(N)	(P)	(E)
		018–A	024–A	030–A	030–A	036–A	036–A	036–A	042–A	042–A	042–A	048–A	048–A	048–A	060–A	060–A	060–A
HC32GE229	BALL BEARING MOTOR	X															
HC34GE240	BALL BEARING MOTOR		X	X	X												
HC36GE232	BALL BEARING MOTOR					X	X		X	X							
HC40GE228	BALL BEARING MOTOR											X	X		X	X	
KAACH1201AAA	CRANKCASE HTR			X	X	X	X		X	X		S	S		S	S	
KAACH1301AAA	CRANKCASE HTR							X			X			S			S
KAACH1401AAA	CRANKCASE HTR	X	X														
KSACY0101AAA	CYCLE PROTECTOR	X	X	X	X	X	X	X	X	X	X	X	X	X	X	X	X
KAAFT0101AAA	FREEZE THERMOSTAT	X	X	X	X	X	X	X	X	X	X	X	X	X	X	X	X
KSAHS1501AAA	HARD START	X	X	X		X			X			X					
KSAHS1601AAA	HARD START															X	
KSAHI0301R22	HIGH PRESS SW	X	X	X	X	X	X	X	X	X	X	X	X	X	X	X	X
KHAIR0101AAA	ISOLATION RELAY	X	X	X	X	X	X	X	X	X	X	X	X	X	X	X	X
KSALA0201R22	LOW AMBIENT	X	X	X	X	X	X	X	X	X	X	X	X	X	X	X	X
KSALA0601AAA	MOTORMASTER 230V	X	X	X	X	X	X		X	X		X	X		X	X	
KSALA0701AAA	MOTORMASTER 480V							X			X			X			X
KHAOT0201SEC	OUTDOOR THERMOSTAT	X	X	X	X	X	X	X	X	X	X	X	X	X	X	X	X
KHAOT0301FST	OUTDOOR THERMOSTAT	X	X	X	X	X	X	X	X	X	X	X	X	X	X	X	X
KHALS0401LLS	SOLENOID VALVE	X	X	X	X	X	X	X	X	X	X	X	X	X	X	X	X
KSASH0601COP	SOUND BLKT			X	X	X	X	X	X	X	X	X	X	X			
KSASH1801COP	SOUND BLKT	X	X														
KSASH2101COP	SOUND BLKT															X	X
KAACS0201PTC	START ASSIST PTC	X	X	X		X			X			X			X		
KSASF0101AAA	SUPPORT FEET	X	X	X	X	X	X	X	X	X	X	X	X	X	X	X	X
KAATD0101TDR	TIME DELAY	X	X	X	X	X	X	X	X	X	X	X	X	X	X	X	X
KSATX0601HSO	TXV	X	X	X	X	X	X	X	X	X	X						
KSATX0701HSO	TXV											X	X	X			
KSATX1001HSO	TXV														X	X	X

213R

ACCESSORY USAGE GUIDELINE

Accessory	REQUIRED FOR LOW-AMBIENT APPLICATIONS (Below 55° F)	REQUIRED FOR LONG LINE APPLICATIONS* (Over 80 Ft.)	REQUIRED FOR SEA COAST APPLICATIONS (Within 2 miles)
Crankcase Heater	Yes	Yes	No
Evaporator Freeze Thermostat	Yes	No	No
Accumulator	No	No	No
Compressor Start Assist Capacitor and Relay	Yes	Yes	No
Motor Master® Control or Low-ambient Pressure Switch	Yes	No	No
Support Feet	Recommended	No	Recommended
Liquid Line Solenoid Valve	No	See Long-Line Application Guideline	No
Ball Bearing Fan Motor	Yes†	No	No

* For tubing line sets between 80 and 200 ft. and/or 20 ft. vertical differential, refer to Residential Split-System Longline Application Guideline.

† Required for Low-Ambient Controller (full modulation feature) and MotorMaster® Control only.

Accessory Description and Usage (Listed Alphabetically)

1. Ball-Bearing Fan Motor

A fan motor with ball bearings which permits speed reduction while maintaining bearing lubrication.

Usage Guideline:

Required on all units when MotorMaster® is used.

2. Compressor Start Assist - Capacitor and Relay

Start capacitor and relay gives a "hard" boost to compressor motor at each start up.

Usage Guideline:

Required for reciprocating compressors in the following applications:

- Long line
- Low ambient cooling
- Hard shut off expansion valve on indoor coil
- Liquid line solenoid on indoor coil

Required for single-phase scroll compressors in the following applications:

- Long line
- Low ambient cooling

Suggested for all compressors in areas with a history of low voltage problems.

3. Compressor Start Assist — PTC Type

Solid state electrical device which gives a "soft" boost to the compressor at each start-up.

Usage Guideline:

Suggested in installations with marginal power supply.

4. Crankcase Heater

An electric resistance heater which mounts to the base of the compressor to keep the lubricant warm during off cycles. Improves compressor lubrication on restart and minimizes the chance of liquid slugging.

Usage Guideline:

- Required in low ambient cooling applications.
- Required in long line applications.
- Suggested in all commercial applications.

5. Cycle Protector

The cycle protector is designed to prevent compressor short cycling. This control provides an approximate 5-minute delay after power to the compressor has been interrupted for any reason, including power outage, protector control trip, thermostat jiggling, or normal cycling.

6. Evaporator Freeze Thermostat

An SPST temperature-actuated switch that stops unit operation when evaporator reaches freeze-up conditions.

Usage Guideline:

Required when low ambient kit has been added.

7. Isolation Relay

An SPDT relay which switches the low-ambient controller out of the outdoor fan motor circuit when the heat pump switches to heating mode.

Usage Guideline:

Required in all heat pumps where low ambient kit has been added.

8. Liquid-Line Solenoid Valve (LLS)

An electrically operated shutoff valve which stops and starts refrigerant liquid flow in response to compressor operation. It is to be installed at the outdoor unit to control refrigerant off cycle migration in the heating mode.

Usage Guideline:

An LLS is required in all long line heat pump applications to control refrigerant off cycle migration in the heating mode. See Long Line Guideline.

9. Low-Ambient Pressure Switch Kit

A long life pressure switch which is mounted to outdoor unit service valve. It is designed to cycle the outdoor fan motor in order to maintain head pressure within normal operating limits (approximately 100 psig to 225 psig). The control will maintain working head pressure at low-ambient temperatures down to 0°F when properly installed.

Usage Guideline:

A Low-Ambient Pressure Switch or MotorMaster® Low-Ambient Controller must be used when cooling operation is used at outdoor temperatures below 55°F (12.8°C).

10. MotorMaster® Low-Ambient Controller

A fan-speed control device activated by a temperature sensor, designed to control condenser fan motor speed in response to the saturated, condensing temperature during operation in cooling mode only. For outdoor temperatures down to -20°F (-28.9°C), it maintains condensing temperature at 100°F ±10°F (37.8°C ± -12°C).

Usage Guideline:

A MotorMaster® Low Ambient Controller or Low-Ambient Pressure Switch must be used when cooling operation is used at outdoor temperatures below 55°F (12.8°C).

Suggested for all commercial applications.

Accessory Description and Usage (Listed Alphabetically) - CONTINUED

11. Outdoor Air Temperature Sensor

Designed for use with Bryant Thermostats listed in this publication. This device enables the thermostat to display the outdoor temperature. This device also is required to enable special thermostat features such as auxiliary heat lock out.

Usage Guideline:

Suggested for all Bryant thermostats listed in this publication.

12. Outdoor Thermostat

An SPDT temperature-actuated switch which turns on supplemental electric heaters when outdoor air temperature drops below a user-selected set point.

Usage Guideline:

Electric supplemental heat applications in non-variable speed indoor units when electric heat staging is desired.

Usage Guideline:

Some local codes may require limiting the heating head pressure in the vapor line in some applications.

13. Secondary Outdoor Thermostat

An SPDT temperature-actuated switch which turns on third-stage of supplemental electric heaters when outdoor air temperature drops below the second-stage set point.

Usage Guideline:

Outdoor thermostat applications where electric heater is capable of 3-stage operation.

14. Sound Hood

Wraparound sound reducing cover for the compressor. Reduces the sound level up to 2 dBA.

Usage Guideline:

Suggested when unit is installed closer than 15 ft to quiet areas, bedrooms, etc.

Suggested when unit is installed between two houses less than 10 ft apart.

Usage Guideline:

Suggested in the following applications:

Heat pump installations in heavy snowfall areas.

Heat pump installations in snowdrift locations.

Heat pump installations in areas of prolonged subfreezing temperatures.

All commercial installations.

15. Thermostatic Expansion Valve (TXV) Bi-Flow

A modulating flow-control valve which meters refrigerant liquid flow rate into the evaporator in response to the superheat of the refrigerant gas leaving the evaporator.

Usage Guideline:

Required in all heat pump applications

16. Time-Delay Relay

An SPST delay relay which briefly continues operation of indoor blower motor to provide additional cooling after the compressor cycles off.

Note: Most indoor unit controls include this feature. For those that do not, use the guideline below.

Usage Guideline:

ELECTRICAL DATA

(VOLTAGE) UNIT SIZE - SERIES	V/PH	OPER VOLTS*		COMPR		FAN	MCA	MIN WIRE SIZE†	MIN WIRE SIZE†	MAX LENGTH (FT)‡	MAX LENGTH (FT)‡	MAX FUSE** or CKT BRK AMPS
		MAX	MIN	LRA	RLA	FLA		60° C	75° C	60° C	75° C	
(N) 018-A	208/230/1	253	187	41	9.0	0.5	11.70	14	14	166	158	20
(N) 024-A				54	11.3	0.8	14.80	14	14	131	125	25
(N) 030-A				72.5	14.8	0.8	19.20	12	12	161	154	30
(N) 036-A				88	17.0	0.9	22.10	12	12	140	133	35
(N) 042-A				104	21.2	0.9	27.40	10	10	181	172	40
(N) 048-A				137	21.2	1.2	27.60	10	10	179	170	40
(N) 060-A				148	28.9	1.2	37.30	8	8	207	197	60
(P) 030-A	208/230/3	253	197	63	10.4	0.75	13.75	14	14	66	63	20
(P) 036-A				77	11.3	0.9	15.03	12	12	96	92	25
(P) 042-A				88	13.4	0.9	17.65	12	12	82	78	25
(P) 048-A				91	13.78	1.2	18.43	10	10	125	119	30
(P) 060-A				123	18.7	1.2	24.58	8	10	146	89	35
(E) 036-A	460/3	506	414	39	5.5	0.5	7.38	14	14	247	235	15
(E) 042-A				44	6.4	0.5	8.50	14	14	214	203	15
(E) 048-A				46	7.1	0.6	9.41	14	14	193	184	15
(E) 060-A				62	8.6	0.6	11.35	14	14	160	152	15

* Permissible limits of the voltage range at which the unit will operate satisfactorily

† If wire is applied at ambient greater than 30° C (86° F), consult table 310-16 of the NEC (ANSI/NFPA 70). The ampacity of non-metallic-sheathed cable (NM), trade name ROMEX, shall be that of 60° C (140° F) conditions, per the NEC (ANSI/NFPA 70) Article 336-26. If other than uncoated (no-plated), 60 or 75° C (140 or 167° C) insulation, copper wire (solid wire for 10 AWG or smaller, stranded wire for larger than 10 AWG) is used, consult applicable tables of the NEC (ANSI/NFPA 70).

‡ Length shown is as measured 1 way along wire path between unit and service panel for voltage drop not to exceed 2%.

** Time-Delay fuse.

FLA - Full Load Amps

LRA - Locked Rotor Amps

MCA - Minimum Circuit Amps

RLA - Rated Load Amps

NOTE: Control circuit is 24-V on all units and requires external power source. Copper wire must be used from service disconnect to unit. All motors/compressors contain internal overload protection.

A-WEIGHTED SOUND POWER (DBA)

UNIT SIZE - SERIES	STANDARD RATING	TYPICAL OCTAVE BAND SPECTRUM (without tone adjustment)						
		125	250	500	1000	2000	4000	8000
018-A	75	52	59.5	64.5	71	67	61.5	54.5
024-A	76	52.5	63.5	69.5	72	67.5	64.5	59.5
030-A	76	52	64	70	71	68	66.5	65
036-A	76	53	69	66.5	69.5	66.5	63.5	62
042-A	76	57	65	68	72.5	67.5	64	59
048-A	76	57.5	65	68	70.5	69	64	60.5
060-A	77	61	62.5	70	72.5	70	67	60

A-WEIGHTED SOUND POWER (DBA) WITH SOUND HOOD

UNIT SIZE - SERIES	STANDARD RATING	TYPICAL OCTAVE BAND SPECTRUM (without tone adjustment)						
		125	250	500	1000	2000	4000	8000
018-A	74	52.0	59.5	64.0	68.0	64.0	60.0	52.5
024-A	75	53.5	63.0	69.0	70.5	66.5	64.0	58.5
030-A	75	53.0	64.5	69.5	70.5	67.5	64.5	60.5
036-A	75	54.0	68.5	65.5	68.0	65.0	62.0	57.5
042-A	76	58.0	64.5	67.0	71.0	65.5	61.0	54.5
048-A	75	58.0	64.0	68.0	69.0	65.5	60.5	55.5
060-A	75	59.5	61.5	67.5	70.0	68.0	64.0	57.5

CHARGING SUBCOOLING (TXV-TYPE EXPANSION DEVICE)

UNIT SIZE - SERIES	REQUIRED SUBCOOLING (°F)
018-A	11
024-A	11
030-A	9
036-A	11
042-A	13
048-A	13
060-A	11

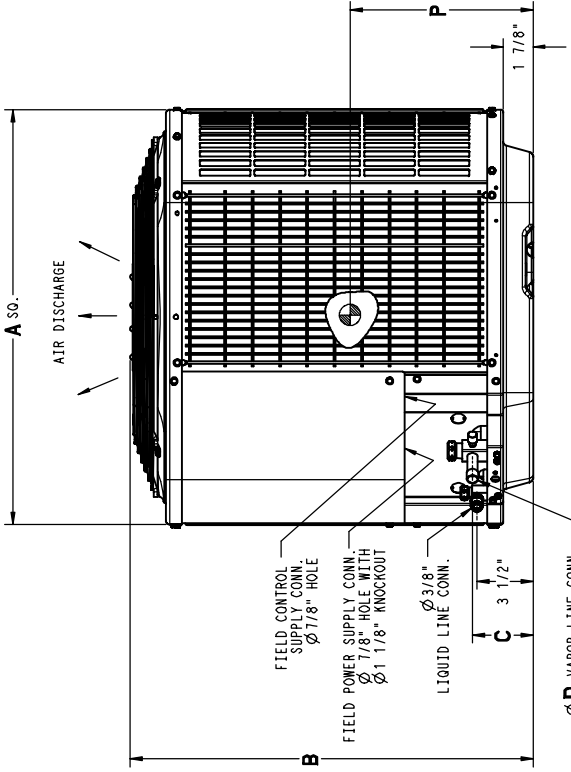
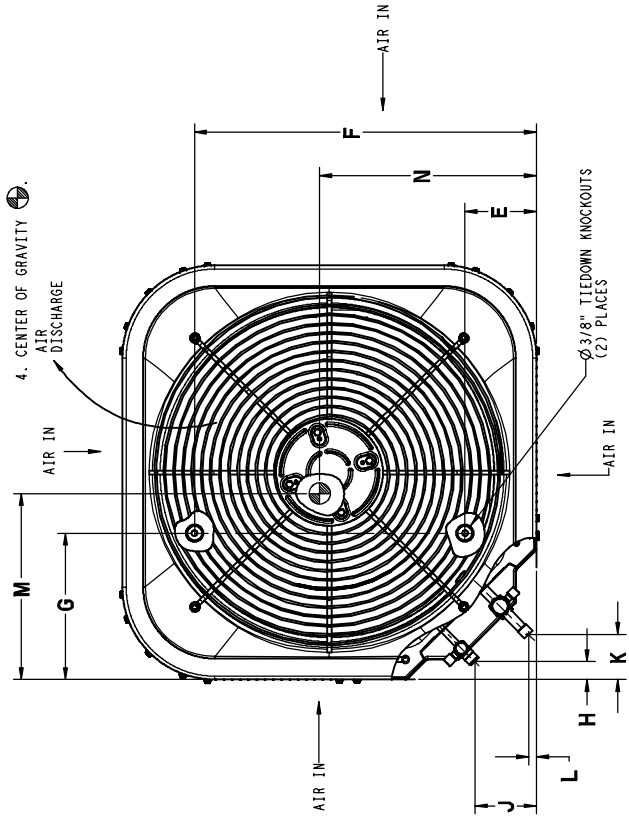
DIMENSIONS

UNIT	SERIES	ELECTRICAL CHARACTERISTICS	A	B	C	D	E	F	G	H	J	K	L	M	N	P	OPERATING WEIGHT	SHIPPING WEIGHT	SHIPPING DIMENSIONS (L x W x H)
213R018	A	X 0 0	31 3/16"	28 15/16"	3 3/4"	5/8"	6 9/16"	24 11/16"	9 1/8"	1 1/8"	3 13/16"	2 13/16"	1/2"	16 5/8"	14 3/8"	11 1/2"	159#	184#	32 5/16" X 32 5/16" X 32 5/8"
213R024	A	X 0 0	31 3/16"	28 15/16"	3 3/4"	5/8"	6 9/16"	24 11/16"	9 1/8"	1 1/8"	3 13/16"	2 13/16"	1/2"	16 1/2"	15 1/8"	13 5/8"	180#	185#	32 5/16" X 32 5/16" X 32 5/8"
213R030	A	X 0 X	31 3/16"	45 15/16"	3 3/4"	3/4"	6 9/16"	24 11/16"	9 1/8"	1 1/8"	3 13/16"	2 13/16"	1/2"	16 1/2"	15 1/2"	20 3/4"	208#	240#	32 5/16" X 32 5/16" X 49 5/8"
213R036	A	X 0 X	35"	35 3/4"	3 3/4"	3/4"	6 9/16"	28 7/16"	9 1/8"	1 1/8"	3 13/16"	2 13/16"	1/2"	19 3/4"	18 1/2"	18"	211#	242#	36 1/8" X 36 1/8" X 39 7/16"
213R042	A	X 0 X	35"	28 15/16"	3 7/8"	7/8"	6 9/16"	28 7/16"	9 1/8"	1 1/8"	3 13/16"	2 15/16"	5/8"	19"	18"	12"	233#	262#	36 1/8" X 36 1/8" X 32 5/8"
213R048	A	X 0 X	35"	35 3/4"	3 7/8"	7/8"	6 9/16"	28 7/16"	9 1/8"	1 1/8"	3 13/16"	2 15/16"	5/8"	16 1/4"	19 1/2"	14 3/4"	269#	300#	36 1/8" X 36 1/8" X 39 7/16"
213R060	A	X 0 X	35"	39 1/8"	3 7/8"	7/8"	6 9/16"	28 7/16"	9 1/8"	1 1/8"	3 13/16"	2 15/16"	5/8"	18 3/4"	20"	11"	295#	327#	36 1/8" X 36 1/8" X 42 7/8"

X = YES
O = NO

208-230-160	208/230-360	460-360
-------------	-------------	---------

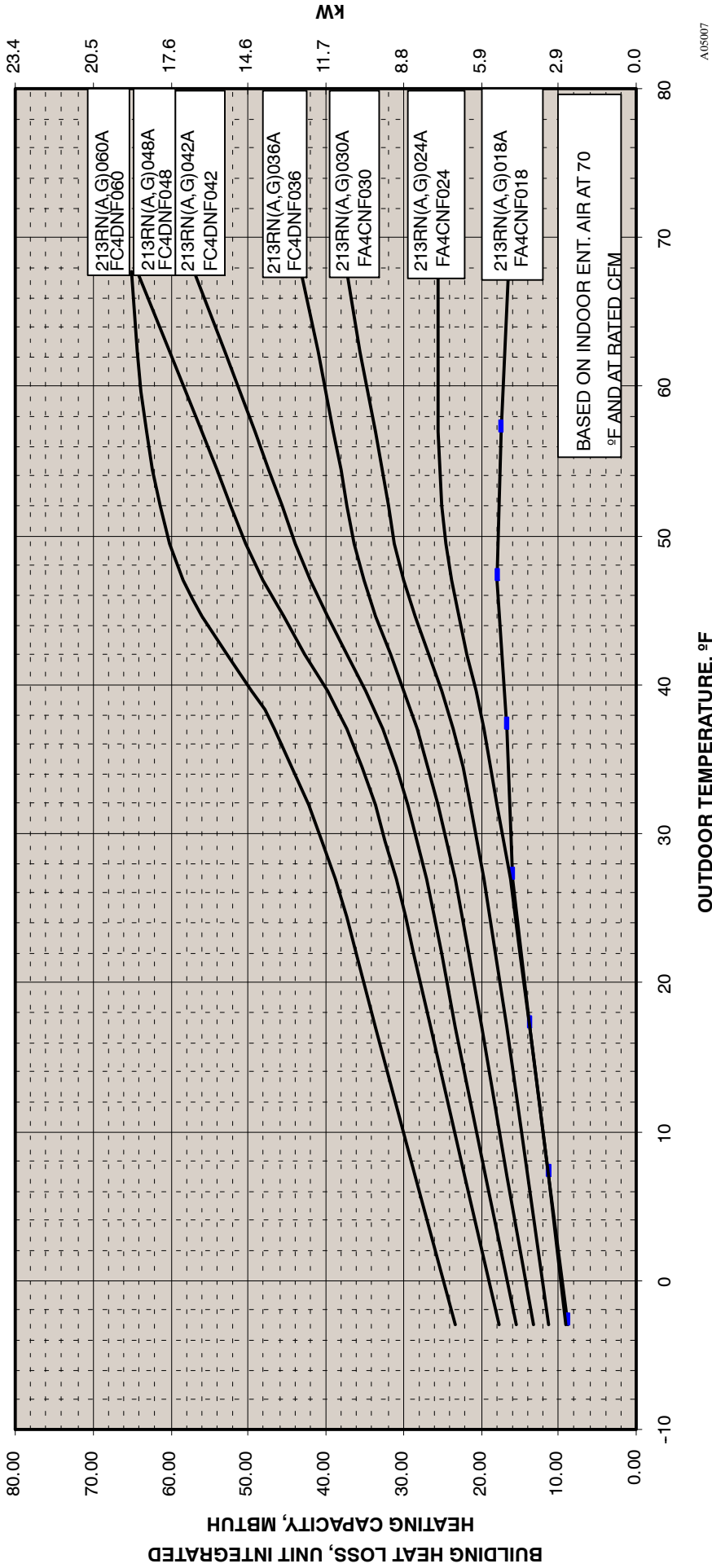
- NOTES:
1. ALLOW 30" CLEARANCE TO SERVICE SIDE OF UNIT, 48" ABOVE UNIT, 6" ON ONE SIDE, 12" ON REMAINING SIDE, AND 24" BETWEEN UNITS FOR PROPER AIRFLOW.
 2. MINIMUM OUTDOOR OPERATING AMBIENT IN COOLING MODE IS 55°F, MAX. 125°F.
 3. SERIES DESIGNATION IS THE 14TH POSITION OF THE UNIT MODEL NUMBER.
 4. CENTER OF GRAVITY



UNIT SIZE	MINIMUM MOUNTING PAD DIMENSIONS
-	26" X 26"
18, 24, 30	31 1/2" X 31 1/2"
36, 42, 48, 60	35" X 35"

NOTE: Optional "G" dense coil guard shown.

213RN(A,G) BALANCE POINT WORKSHEET



213R

COMBINATION RATINGS

Unit Size - Series	Indoor Model	Cooling Capacity	ARI Standard Ratings									Furnace Model	
			Cooling				Heating						
			Factory Enhance	Standard Rating	SEER TDR	EER	High Temp		Low Temp		HSPF		
							E Capacity	E COP	H Capacity	H COP			
018-A	*FA4CN(F,C)018	17,100	TDR&TXV	13.00		10.80	18,000	3.52	10,500	2.34	8.0		
	FA4CN(F,C)024	17,200	TDR&TXV	13.00		10.80	16,000	3.30	10,500	2.34	7.9		
	FC4DNF018	17,500	TDR&TXV	14.00		11.70	17,500	3.80	10,100	2.52	8.5		
	FC4DNF024	17,600	TDR&TXV	14.00		12.00	15,400	3.60	10,000	2.56	8.5		
	FF1ENE018	17,100	TDR&TXV	13.00		10.80	18,000	3.54	10,500	2.36	8.0		
	FF1ENE024	17,300	TDR&TXV	13.00		10.80	15,600	3.32	10,500	2.38	8.0		
	FK4DNF001	17,500	TDR&TXV	14.00		12.00	14,600	3.48	9,900	2.54	8.4		
	FK4DNF002	17,700	TDR&TXV	14.00		12.50	14,600	3.58	9,900	2.58	8.6		
	CAR**1814A**	16,900	TXV		13.00	10.80	18,100	3.46	10,400	2.34	7.9		
	CAR**1814A**	16,900	TDR&TXV	14.00		11.70	18,000	3.70	9,800	2.46	8.2	315(A,J)AV036070	
	CAR**2414A**	17,400	TXV		13.00	10.80	15,700	3.34	10,500	2.40	8.1		
	CAR**2414A**	17,300	TDR&TXV	14.00		12.00	15,600	3.70	9,900	2.50	8.4	315(A,J)AV036070	
	CAR**2417A**	17,400	TXV		13.00	10.80	15,700	3.34	10,500	2.40	8.1		
	CAR**2417A**	17,300	TDR&TXV	14.00		12.00	15,600	3.70	9,900	2.52	8.4	355AAV042060	
	CAR**2417A**	17,400	TDR&TXV	14.00		12.00	15,600	3.70	9,900	2.52	8.6	315(A,J)AV048090	
	CNRV*1814A**	16,900	TXV		13.00	10.80	17,200	3.52	10,500	2.40	8.1		
	CNRV*1814A**	16,900	TDR&TXV	14.00		12.00	17,100	3.88	9,900	2.50	8.5	315(A,J)AV036070	
	CNRV*2414A**	17,400	TXV		13.00	10.80	15,700	3.44	10,500	2.40	8.2		
	CNRV*2414A**	17,300	TDR&TXV	14.00		12.00	15,600	3.84	9,900	2.52	8.5	315(A,J)AV036070	
	CNRV*2417A**	17,400	TXV		13.00	10.80	15,700	3.44	10,500	2.40	8.2		
	CNRV*2417A**	17,300	TDR&TXV	14.00		12.00	15,600	3.84	9,900	2.52	8.5	355AAV042060	
	CNRV*2417A**	17,400	TDR&TXV	14.00		12.00	15,600	3.84	9,900	2.54	8.5	315(A,J)AV048090	
	CNRH*2417A**	17,400	TXV		13.00	10.80	15,700	3.44	10,500	2.40	8.2		
	CNRH*2417A**	17,300	TDR&TXV	14.00		12.00	15,600	3.84	9,900	2.52	8.5	355AAV042040	
	CNRH*2417A**	17,300	TDR&TXV	14.00		12.00	15,600	3.84	9,900	2.52	8.5	355AAV042060	
	CNRH*2417A**	17,400	TDR&TXV	14.00		12.00	15,600	3.82	9,900	2.52	8.5	355AAV042080	
	CNRH*2417A**	17,400	TDR&TXV	14.00		12.00	15,600	3.84	9,900	2.52	8.5	315(A,J)AV036070	
	CNRH*2417A**	17,400	TDR&TXV	14.00		12.00	15,600	3.84	9,900	2.54	8.5	315(A,J)AV048090	
	CNRF*2418A**	17,400	TXV		13.00	10.80	15,700	3.44	10,500	2.40	8.2		
	CSRH*2412A**	17,400	TXV		13.00	10.80	14,800	3.26	10,500	2.42	8.0		
	CSRH*2412A**	17,300	TDR&TXV	14.00		12.00	14,800	3.62	9,900	2.52	8.5	355AAV042040	
	CSRH*2412A**	17,300	TDR&TXV	14.00		12.00	14,800	3.62	9,900	2.52	8.5	355AAV042060	
	CSRH*2412A**	17,400	TDR&TXV	14.00		12.00	14,800	3.60	9,900	2.52	8.5	355AAV042080	
	CSRH*2412A**	17,300	TDR&TXV	14.00		12.00	14,800	3.62	9,900	2.52	8.5	315(A,J)AV036070	
	CSRH*2412A**	17,400	TDR&TXV	14.00		12.00	14,800	3.62	9,900	2.52	8.5	315(A,J)AV048090	
	024-A	*FA4CN(F,C)024	22,600	TDR&TXV	13.00		10.80	23,800	3.52	14,400	2.36	7.9	
		FA4CN(F,C)030	22,800	TDR&TXV	13.00		10.80	22,600	3.46	14,400	2.38	7.9	
		FC4DNF024	23,000	TDR&TXV	14.00		11.50	23,400	3.70	13,900	2.48	8.3	
		FC4DNF030	23,200	TDR&TXV	14.00		11.50	22,200	3.66	13,900	2.52	8.4	
		FF1ENE030	22,600	TDR&TXV	13.00		10.80	23,600	3.52	14,400	2.36	8.0	
		FK4DNF001	23,000	TDR&TXV	14.00		11.70	22,600	3.66	13,700	2.48	8.3	
		FK4DNF002	23,200	TDR&TXV	14.00		11.70	22,600	3.78	13,700	2.54	8.5	
		FK4DNF003	23,200	TDR&TXV	14.00		11.70	20,800	3.60	13,600	2.54	8.5	
		CAR**2414A**	22,800	TXV		13.00	10.80	23,800	3.56	14,400	2.38	8.1	
		CAR**2414A**	22,800	TDR&TXV	14.00		11.50	23,800	3.72	13,700	2.46	8.3	315(A,J)AV036070
CAR**2417A**		22,800	TXV		13.00	10.80	23,800	3.56	14,400	2.38	8.1		
CAR**2417A**		22,800	TDR&TXV	14.00		11.50	23,600	3.74	13,700	2.48	8.3	355AAV042060	
CAR**2417A**		22,800	TDR&TXV	14.00		11.70	23,600	3.76	13,600	2.50	8.4	315(A,J)AV048090	
CAR**3014A**		22,800	TXV		13.00	10.80	20,800	3.30	14,500	2.38	7.8		
CAR**3014A**		22,800	TDR&TXV	14.00		11.50	22,000	3.58	13,700	2.48	8.2	315(A,J)AV036070	
CAR**3017A**		22,800	TXV		13.00	10.80	20,800	3.30	14,500	2.38	7.8		
CAR**3017A**		22,800	TDR&TXV	14.00		11.70	20,800	3.60	13,700	2.50	8.3	355AAV042060	
CAR**3017A**		23,000	TDR&TXV	14.00		11.70	20,800	3.62	13,600	2.52	8.3	315(A,J)AV048090	

213R

See notes on pg. 17

COMBINATION RATINGS - CONTINUED

Unit Size - Series	Indoor Model	Cooling Capacity	ARI Standard Ratings									Furnace Model
			Cooling				Heating					
			Factory Enhance	Standard Rating	SEER TDR	EER	High Temp		Low Temp		HSPF	
E Capacity	E COP	H Capacity					H COP					
024-A	CNRV*2414A**	22,800	TXV		13.00	10.80	23,800	3.66	14,500	2.38	8.2	
	CNRV*2414A**	22,600	TDR&TXV	14.00		11.50	23,800	3.80	13,700	2.48	8.4	315(A,J)AV036070
	CNRV*2417A**	22,800	TXV		13.00	10.80	23,800	3.66	14,500	2.38	8.2	
	CNRV*2417A**	22,800	TDR&TXV	14.00		11.50	23,600	3.82	13,700	2.48	8.4	355AAV042060
	CNRV*2417A**	22,800	TDR&TXV	14.00		11.50	23,600	3.84	13,700	2.50	8.5	315(A,J)AV048090
024-A	CNRV*3014A**	22,800	TXV		13.00	10.80	20,600	3.28	14,500	2.40	7.8	
	CNRV*3014A**	22,800	TDR&TXV	14.00		11.50	20,600	3.58	13,700	2.48	8.2	315(A,J)AV036070
	CNRV*3017A**	22,800	TXV		13.00	10.80	20,600	3.28	14,500	2.40	7.8	
	CNRV*3017A**	22,800	TDR&TXV	14.00		11.70	20,600	3.60	13,700	2.50	8.3	355AAV042060
	CNRV*3017A**	23,000	TDR&TXV	14.00		11.70	20,600	3.62	13,600	2.52	8.4	315(A,J)AV048090
	CNRH*2417A**	22,800	TXV		13.00	10.80	23,800	3.66	14,500	2.38	8.2	
	CNRH*2417A**	22,800	TDR&TXV	14.00		11.50	23,600	3.82	13,800	2.48	8.4	355AAV042040
	CNRH*2417A**	22,800	TDR&TXV	14.00		11.50	23,600	3.82	13,700	2.48	8.4	355AAV042060
	CNRH*2417A**	22,800	TDR&TXV	14.00		11.50	23,600	3.82	13,800	2.48	8.4	355AAV042080
	CNRH*2417A**	22,800	TDR&TXV	14.00		11.50	23,600	3.82	13,800	2.48	8.4	355AAV060080
	CNRH*2417A**	22,800	TDR&TXV	14.00		11.50	23,600	3.84	13,800	2.50	8.4	355AAV060100
	CNRH*2417A**	22,600	TDR&TXV	14.00		11.50	23,600	3.80	13,700	2.48	8.4	355AAV060120
	CNRH*2417A**	22,600	TDR&TXV	14.00		11.50	23,600	3.80	13,700	2.48	8.4	315(A,J)AV036070
	CNRH*2417A**	22,800	TDR&TXV	14.00		11.50	23,600	3.84	13,700	2.50	8.5	315(A,J)AV048090
	CNRH*2417A**	22,800	TDR&TXV	14.00		11.50	23,600	3.82	13,800	2.48	8.4	315(A,J)AV060110
	CNRH*2417A**	22,800	TDR&TXV	14.00		11.50	23,600	3.84	13,800	2.50	8.5	315(A,J)AV066135
	CNRH*2417A**	22,800	TDR&TXV	14.00		11.50	23,600	3.84	13,700	2.50	8.5	315(A,J)AV066155
	CNRH*3017A**	22,800	TXV		13.00	10.80	20,600	3.28	14,500	2.40	7.8	
	CNRH*3017A**	22,800	TDR&TXV	14.00		11.70	20,600	3.60	13,700	2.50	8.3	355AAV042040
	CNRH*3017A**	22,800	TDR&TXV	14.00		11.70	20,600	3.60	13,700	2.50	8.3	355AAV042060
	CNRH*3017A**	22,800	TDR&TXV	14.00		11.70	20,600	3.60	13,700	2.50	8.3	355AAV042080
	CNRH*3017A**	22,800	TDR&TXV	14.00		11.70	20,600	3.60	13,700	2.50	8.3	355AAV060080
	CNRH*3017A**	22,800	TDR&TXV	14.00		11.70	20,600	3.60	13,700	2.52	8.4	355AAV060100
	CNRH*3017A**	22,800	TDR&TXV	14.00		11.70	20,600	3.60	13,700	2.50	8.2	355AAV060120
	CNRH*3017A**	22,800	TDR&TXV	14.00		11.70	20,600	3.60	13,700	2.50	8.2	315(A,J)AV036070
	CNRH*3017A**	23,000	TDR&TXV	14.00		11.70	20,600	3.62	13,600	2.52	8.4	315(A,J)AV048090
	CNRH*3017A**	23,000	TDR&TXV	14.00		11.70	20,600	3.62	13,700	2.50	8.4	315(A,J)AV060110
	CNRH*3017A**	23,000	TDR&TXV	14.00		11.70	20,600	3.62	13,700	2.52	8.4	315(A,J)AV066135
	CNRH*3017A**	23,000	TDR&TXV	14.00		11.70	20,600	3.62	13,700	2.52	8.4	315(A,J)AV066155
	CNRF*2418A**	22,800	TXV		13.00	10.80	23,800	3.66	14,500	2.38	8.2	
	CSRH*2412A**	22,800	TXV		13.00	10.80	23,000	3.56	14,500	2.40	8.2	
	CSRH*2412A**	22,800	TDR&TXV	14.00		11.50	23,000	3.74	13,800	2.48	8.4	355AAV042040
	CSRH*2412A**	22,800	TDR&TXV	14.00		11.50	23,000	3.74	13,800	2.48	8.4	355AAV042060
	CSRH*2412A**	22,800	TDR&TXV	14.00		11.50	23,000	3.74	13,800	2.48	8.4	355AAV042080
	CSRH*2412A**	22,800	TDR&TXV	14.00		11.50	23,000	3.74	13,800	2.48	8.4	355AAV060080
	CSRH*2412A**	22,800	TDR&TXV	14.00		11.50	23,000	3.76	13,800	2.50	8.4	355AAV060100
	CSRH*2412A**	22,800	TDR&TXV	14.00		11.50	23,000	3.74	13,800	2.48	8.3	355AAV060120
	CSRH*2412A**	22,800	TDR&TXV	14.00		11.50	23,000	3.74	13,800	2.48	8.4	315(A,J)AV036070
	CSRH*2412A**	22,800	TDR&TXV	14.00		11.70	23,000	3.76	13,700	2.50	8.4	315(A,J)AV048090
	CSRH*2412A**	22,800	TDR&TXV	14.00		11.50	23,000	3.74	13,800	2.48	8.4	315(A,J)AV060110
CSRH*2412A**	22,800	TDR&TXV	14.00		11.50	23,000	3.76	13,800	2.50	8.4	315(A,J)AV066135	
CSRH*2412A**	22,800	TDR&TXV	14.00		11.70	23,000	3.76	13,800	2.50	8.4	315(A,J)AV066155	
CSRH*3012A**	22,800	TXV		13.00	10.80	20,200	3.26	14,500	2.40	7.8		
CSRH*3012A**	22,800	TDR&TXV	14.00		11.70	20,200	3.56	13,700	2.50	8.3	355AAV042040	
CSRH*3012A**	22,800	TDR&TXV	14.00		11.70	20,200	3.58	13,700	2.50	8.3	355AAV042060	
CSRH*3012A**	22,800	TDR&TXV	14.00		11.70	20,200	3.56	13,700	2.50	8.3	355AAV042080	
CSRH*3012A**	22,800	TDR&TXV	14.00		11.70	20,200	3.58	13,700	2.50	8.3	355AAV060080	
CSRH*3012A**	22,800	TDR&TXV	14.00		11.70	20,200	3.58	13,700	2.50	8.3	355AAV060100	
CSRH*3012A**	22,800	TDR&TXV	14.00		11.70	20,200	3.58	13,700	2.48	8.3	355AAV060120	
CSRH*3012A**	22,800	TDR&TXV	14.00		11.70	20,200	3.58	13,700	2.48	8.3	315(A,J)AV036070	
CSRH*3012A**	22,800	TDR&TXV	14.00		11.70	20,200	3.60	13,700	2.50	8.3	315(A,J)AV048090	
CSRH*3012A**	22,800	TDR&TXV	14.00		11.70	20,200	3.58	13,700	2.50	8.3	315(A,J)AV060110	
CSRH*3012A**	22,800	TDR&TXV	14.00		11.70	20,200	3.58	13,700	2.50	8.3	315(A,J)AV066135	
CSRH*3012A**	22,800	TDR&TXV	14.00		11.70	20,200	3.58	13,700	2.50	8.3	315(A,J)AV066155	

213R

See notes on pg. 17

COMBINATION RATINGS - CONTINUED

Unit Size – Series	Indoor Model	Cooling Capacity	ARI Standard Ratings									Furnace Model	
			Cooling				Heating						
			Factory Enhance	Standard Rating	SEER	EER	High Temp		Low Temp		HSPF		
							E Capacity	E COP	H Capacity	H COP			
030-A	*FA4CN(F,C)030	28,400	TDR&TXV	13.00		10.80	30,200	3.46	18,700	2.42	8.1		
	FC4DNF030	28,800	TDR&TXV	13.50		11.20	29,800	3.60	18,300	2.52	8.3		
	FC4DN(F,B)036	29,200	TDR&TXV	14.00		11.50	29,000	3.58	18,400	2.54	8.4		
	FF1ENE030	28,200	TDR&TXV	13.00		10.50	30,000	3.44	18,700	2.42	8.0		
	FF1ENE036	28,800	TDR&TXV	13.00		10.80	29,400	3.44	18,800	2.44	8.1		
	FK4DNF001	28,400	TDR&TXV	13.50		11.20	29,600	3.50	18,100	2.48	8.1		
	FK4DNF002	28,600	TDR&TXV	14.00		11.50	29,800	3.66	18,100	2.54	8.4		
	FK4DNF003	28,800	TDR&TXV	14.00		11.70	29,000	3.60	17,900	2.56	8.4		
	FK4DNF005	29,800	TDR&TXV	14.00		12.00	25,000	3.46	18,000	2.64	8.5		
	CAR**3014A**	28,600	TXV			13.00	10.50	29,600	3.44	18,900	2.44	8.1	
	CAR**3014A**	28,400	TDR&TXV	13.50		11.20	29,200	3.52	18,100	2.50	8.2	315(A,J)AV036070	
	CAR**3017A**	28,600	TXV			13.00	10.50	29,600	3.44	18,900	2.44	8.1	
	CAR**3017A**	28,400	TDR&TXV	14.00		11.50	29,200	3.52	18,000	2.50	8.2	355AAV042060	
	CAR**3017A**	28,400	TDR&TXV	14.00		11.50	29,200	3.54	17,900	2.52	8.2	315(A,J)AV048090	
	CAR**3614A**	28,400	TXV			13.00	10.50	29,400	3.44	18,900	2.44	8.1	
	CAR**3614A**	28,400	TDR&TXV	14.00		11.50	29,200	3.54	18,100	2.50	8.2	315(A,J)AV036070	
	CAR**3617A**	28,600	TXV			13.00	10.50	29,400	3.44	18,900	2.44	8.1	
	CAR**3617A**	28,400	TDR&TXV	14.00		11.50	29,000	3.54	18,000	2.52	8.3	355AAV042060	
	CAR**3617A**	28,600	TDR&TXV	14.00		11.50	29,000	3.58	17,900	2.52	8.3	315(A,J)AV048090	
	CAR**3621A**	28,600	TXV			13.00	10.50	29,400	3.44	18,900	2.44	8.1	
	CAR**3621A**	28,600	TDR&TXV	14.00		11.50	29,000	3.58	18,000	2.52	8.3	355AAV042080	
	CAR**3621A**	28,600	TDR&TXV	14.00		11.50	29,000	3.56	18,000	2.52	8.3	355AAV060080	
	CAR**3621A**	28,600	TDR&TXV	14.00		11.50	29,000	3.58	18,000	2.52	8.3	355AAV060100	
	CAR**3621A**	28,600	TDR&TXV	14.00		11.50	29,000	3.60	18,000	2.54	8.3	315(A,J)AV060110	
	CNRV*3014A**	28,600	TXV			13.00	10.50	29,600	3.44	18,900	2.44	8.1	
	CNRV*3014A**	28,400	TDR&TXV	13.50		11.20	29,200	3.52	18,100	2.48	8.2	315(A,J)AV036070	
	CNRV*3017A**	28,600	TXV			13.00	10.50	29,600	3.44	18,900	2.44	8.1	
	CNRV*3017A**	28,400	TDR&TXV	14.00		11.50	29,200	3.52	18,000	2.50	8.2	355AAV042060	
	CNRV*3017A**	28,400	TDR&TXV	14.00		11.50	29,200	3.56	18,000	2.52	8.3	315(A,J)AV048090	
	CNRV*3617A**	28,600	TXV			13.00	10.50	29,400	3.46	18,900	2.44	8.1	
	CNRV*3617A**	28,400	TDR&TXV	14.00		11.50	29,000	3.52	18,000	2.50	8.2	355AAV042060	
	CNRV*3617A**	28,400	TDR&TXV	14.00		11.50	29,000	3.56	18,000	2.52	8.3	315(A,J)AV048090	
	CNRV*3621A**	28,600	TXV			13.00	10.50	29,400	3.46	18,900	2.44	8.1	
	CNRV*3621A**	28,400	TDR&TXV	14.00		11.50	29,000	3.54	18,100	2.50	8.2	355AAV042080	
	CNRV*3621A**	28,400	TDR&TXV	14.00		11.50	29,000	3.54	18,000	2.50	8.2	355AAV060080	
	CNRV*3621A**	28,400	TDR&TXV	14.00		11.50	29,000	3.54	18,000	2.52	8.3	355AAV060100	
	CNRV*3621A**	28,600	TDR&TXV	14.00		11.50	29,000	3.56	18,000	2.52	8.3	315(A,J)AV060110	
	CNRH*3017A**	28,600	TXV			13.00	10.50	29,600	3.44	18,900	2.44	8.1	
	CNRH*3017A**	28,400	TDR&TXV	14.00		11.50	29,200	3.52	18,100	2.50	8.2	355AAV042040	
	CNRH*3017A**	28,400	TDR&TXV	14.00		11.50	29,200	3.54	18,000	2.50	8.2	355AAV042060	
	CNRH*3017A**	28,400	TDR&TXV	14.00		11.50	29,200	3.54	18,100	2.50	8.2	355AAV042080	
	CNRH*3017A**	28,400	TDR&TXV	14.00		11.50	29,200	3.54	18,000	2.50	8.2	355AAV060080	
	CNRH*3017A**	28,400	TDR&TXV	14.00		11.50	29,200	3.54	18,000	2.52	8.3	355AAV060100	
	CNRH*3017A**	28,400	TDR&TXV	14.00		11.50	29,200	3.54	18,000	2.50	8.2	355AAV060120	
	CNRH*3017A**	28,400	TDR&TXV	14.00		11.50	29,200	3.52	18,100	2.50	8.2	315(A,J)AV036070	
	CNRH*3017A**	28,400	TDR&TXV	14.00		11.50	29,200	3.56	18,000	2.52	8.3	315(A,J)AV048090	
	CNRH*3017A**	28,600	TDR&TXV	14.00		11.50	29,200	3.56	18,000	2.52	8.3	315(A,J)AV060110	
	CNRH*3017A**	28,600	TDR&TXV	14.00		11.50	29,200	3.56	18,000	2.52	8.3	315(A,J)AV066135	
	CNRH*3017A**	28,600	TDR&TXV	14.00		11.50	29,200	3.58	18,000	2.54	8.3	315(A,J)AV066155	
	CNRH*3617A**	28,600	TXV			13.00	10.50	29,400	3.44	18,900	2.44	8.1	
CNRH*3617A**	28,400	TDR&TXV	14.00		11.50	29,000	3.52	18,100	2.50	8.2	355AAV042040		
CNRH*3617A**	28,400	TDR&TXV	14.00		11.50	29,000	3.54	18,000	2.50	8.2	355AAV042060		
CNRH*3617A**	28,400	TDR&TXV	14.00		11.50	29,000	3.54	18,100	2.50	8.2	355AAV042080		
CNRH*3617A**	28,400	TDR&TXV	14.00		11.50	29,000	3.54	18,000	2.50	8.2	355AAV060080		
CNRH*3617A**	28,400	TDR&TXV	14.00		11.50	29,000	3.54	18,000	2.52	8.3	355AAV060100		

213R

See notes on pg. 17

COMBINATION RATINGS - CONTINUED

Unit Size – Series	Indoor Model	Cooling Capacity	ARI Standard Ratings									Furnace Model	
			Cooling				Heating						
			Factory Enhance	Standard Rating	SEER	EER	High Temp		Low Temp		HSPF		
							E Capacity	E COP	H Capacity	H COP			
036-A	CNRV*4221A**	33,600	TDR&TXV	13.20		11.00	35,200	3.50	20,600	2.46	8.1	355AAV042080	
	CNRV*4221A**	33,800	TDR&TXV	13.50		11.20	35,000	3.50	20,600	2.48	8.2	355AAV060080	
	CNRV*4221A**	33,800	TDR&TXV	13.50		11.20	35,000	3.52	20,600	2.48	8.2	355AAV060100	
	CNRV*4221A**	33,800	TDR&TXV	13.50		11.20	34,800	3.56	20,600	2.50	8.3	315(A,J)AV060110	
	CNRH*3617A**	33,200	TDR&TXV	13.00		10.80	35,400	3.36	20,800	2.40	7.9	355AAV042040	
	CNRH*3617A**	33,200	TDR&TXV	13.00		10.80	35,400	3.40	20,800	2.42	8.0	355AAV042060	
	CNRH*3617A**	33,200	TDR&TXV	13.00		10.80	35,400	3.36	20,800	2.40	7.9	355AAV042080	
	CNRH*3617A**	33,200	TDR&TXV	13.00		10.80	35,400	3.40	20,800	2.42	8.0	355AAV060080	
	CNRH*3617A**	33,400	TDR&TXV	13.00		10.80	35,400	3.40	20,800	2.42	8.0	355AAV060100	
	CNRH*3617A**	33,200	TDR&TXV	13.00		10.80	35,400	3.40	20,600	2.42	8.0	355AAV060120	
	CNRH*3617A**	33,200	TDR&TXV	13.00		10.80	35,200	3.38	20,800	2.40	7.9	315(A,J)AV036070	
	CNRH*3617A**	33,400	TDR&TXV	13.20		11.00	35,200	3.42	20,600	2.44	8.0	315(A,J)AV048090	
	CNRH*3617A**	33,400	TDR&TXV	13.00		10.80	35,200	3.42	20,800	2.44	8.0	315(A,J)AV060110	
	CNRH*3617A**	33,400	TDR&TXV	13.20		11.00	35,200	3.42	20,600	2.44	8.0	315(A,J)AV066135	
	CNRH*3617A**	33,400	TDR&TXV	13.20		11.00	35,200	3.44	20,600	2.46	8.0	315(A,J)AV066155	
	CNRH*4221A**	33,800	TDR&TXV	13.20		11.00	35,200	3.50	20,600	2.46	8.2	355AAV042040	
	CNRH*4221A**	33,800	TDR&TXV	13.50		11.20	35,000	3.52	20,600	2.48	8.2	355AAV042060	
	CNRH*4221A**	33,800	TDR&TXV	13.20		11.00	35,200	3.50	20,600	2.46	8.1	355AAV042080	
	CNRH*4221A**	33,800	TDR&TXV	13.50		11.20	35,000	3.50	20,600	2.48	8.2	355AAV060080	
	CNRH*4221A**	33,800	TDR&TXV	13.50		11.20	35,000	3.52	20,600	2.48	8.2	355AAV060100	
	CNRH*4221A**	33,800	TDR&TXV	13.50		11.20	35,000	3.54	20,600	2.50	8.2	355AAV060120	
	CNRH*4221A**	33,800	TDR&TXV	13.20		11.00	35,200	3.50	20,800	2.46	8.2	315(A,J)AV036070	
	CNRH*4221A**	33,800	TDR&TXV	13.50		11.20	35,000	3.54	20,600	2.50	8.2	315(A,J)AV048090	
	CNRH*4221A**	33,800	TDR&TXV	13.50		11.20	34,800	3.56	20,600	2.50	8.3	315(A,J)AV060110	
	CNRH*4221A**	33,800	TDR&TXV	13.50		11.20	34,800	3.58	20,400	2.52	8.3	315(A,J)AV066135	
	CNRH*4221A**	33,800	TDR&TXV	13.50		11.20	34,800	3.58	20,400	2.52	8.3	315(A,J)AV066155	
	CSRH*3612A**	33,400	TDR&TXV	13.20		11.00	35,000	3.50	21,000	2.46	8.2	355AAV042040	
	CSRH*3612A**	33,400	TDR&TXV	13.50		11.20	34,800	3.52	20,800	2.48	8.2	355AAV042060	
	CSRH*3612A**	33,400	TDR&TXV	13.20		11.00	35,000	3.48	21,000	2.44	8.1	355AAV042080	
	CSRH*3612A**	33,400	TDR&TXV	13.20		11.00	34,800	3.52	20,800	2.48	8.2	355AAV060080	
	CSRH*3612A**	33,400	TDR&TXV	13.50		11.20	34,800	3.52	20,800	2.48	8.2	355AAV060100	
	CSRH*3612A**	33,400	TDR&TXV	13.50		11.20	34,800	3.52	20,800	2.48	8.2	355AAV060120	
	CSRH*3612A**	33,400	TDR&TXV	13.20		11.00	34,800	3.50	20,800	2.46	8.2	315(A,J)AV036070	
	CSRH*3612A**	33,400	TDR&TXV	13.50		11.20	34,800	3.54	20,800	2.48	8.3	315(A,J)AV048090	
	CSRH*3612A**	33,400	TDR&TXV	13.50		11.20	34,600	3.54	20,800	2.50	8.3	315(A,J)AV060110	
	CSRH*3612A**	33,400	TDR&TXV	13.50		11.20	34,600	3.56	20,800	2.50	8.3	315(A,J)AV066135	
	CSRH*3612A**	33,400	TDR&TXV	13.50		11.20	34,600	3.58	20,600	2.52	8.3	315(A,J)AV066155	
	CSRH*4212A**	33,400	TDR&TXV	13.20		11.00	34,600	3.50	21,000	2.46	8.2	355AAV042040	
	CSRH*4212A**	33,400	TDR&TXV	13.50		11.20	34,400	3.54	20,800	2.50	8.3	355AAV042060	
	CSRH*4212A**	33,400	TDR&TXV	13.20		11.00	34,600	3.50	21,000	2.46	8.2	355AAV042080	
	CSRH*4212A**	33,400	TDR&TXV	13.50		11.20	34,400	3.54	20,800	2.48	8.3	355AAV060080	
	CSRH*4212A**	33,400	TDR&TXV	13.50		11.20	34,400	3.54	20,800	2.50	8.3	355AAV060100	
	CSRH*4212A**	33,400	TDR&TXV	13.50		11.20	34,400	3.54	20,800	2.50	8.3	355AAV060120	
	CSRH*4212A**	33,400	TDR&TXV	13.20		11.00	34,400	3.52	21,000	2.48	8.2	315(A,J)AV036070	
	CSRH*4212A**	33,400	TDR&TXV	13.50		11.20	34,400	3.56	20,800	2.50	8.3	315(A,J)AV048090	
	CSRH*4212A**	33,400	TDR&TXV	13.50		11.20	34,200	3.56	20,800	2.50	8.3	315(A,J)AV060110	
	CSRH*4212A**	33,400	TDR&TXV	13.50		11.20	34,200	3.58	20,800	2.52	8.3	315(A,J)AV066135	
	CSRH*4212A**	33,400	TDR&TXV	13.50		11.20	34,200	3.60	20,600	2.54	8.4	315(A,J)AV066155	
	042-A	FA4CN(F,C)048	42,500	TDR&TXV	13.00		10.80	43,000	3.60	26,600	2.48	7.9	
		*FC4DN(F,B)042	42,000	TDR&TXV	13.00		11.00	42,000	3.64	25,800	2.56	8.0	
		FC4DN(F,B)042	42,500	TDR&TXV	13.50		11.20	42,000	3.64	25,800	2.56	8.1	
		FC4DN(F,B)048	43,500	TDR&TXV	14.00		11.70	42,000	3.82	25,800	2.64	8.4	
		FK4DNF003	41,000	TDR&TXV	13.50		11.20	40,500	3.48	25,200	2.52	7.8	
		FK4DNF005	43,000	TDR&TXV	14.00		11.70	41,000	3.70	25,400	2.62	8.2	
		FK4DNB006	43,500	TDR&TXV	14.00		11.70	41,500	3.82	25,200	2.66	8.4	
		CAR**4221A**	40,500	TDR&TXV	13.20		11.00	41,000	3.44	25,400	2.48	7.7	355AAV042080
		CAR**4221A**	41,000	TDR&TXV	13.20		11.00	41,000	3.48	25,400	2.50	7.8	355AAV060080
		CAR**4221A**	41,000	TDR&TXV	13.50		11.20	41,000	3.50	25,400	2.50	7.8	355AAV060100
	CAR**4221A**	41,000	TDR&TXV	13.50		11.20	41,000	3.52	25,200	2.52	7.9	315(A,J)AV060110	

213R

See notes on pg. 17

COMBINATION RATINGS - CONTINUED

Unit Size – Series	Indoor Model	Cooling Capacity	ARI Standard Ratings									
			Cooling				Heating					Furnace Model
			Factory Enhance	Standard Rating	SEER	EER	High Temp		Low Temp		HSPF	
							E Capacity	E COP	H Capacity	H COP		
	CAR**4224A**	40,500	TDR&TXV	13.20		11.00	41,000	3.44	25,400	2.48	7.7	355AAV042040
	CAR**4224A**	41,000	TDR&TXV	13.50		11.20	41,000	3.50	25,200	2.52	7.8	355AAV060120
	CAR**4224A**	41,000	TDR&TXV	13.50		11.20	40,500	3.54	25,200	2.54	7.9	315(A,J)AV066135
	CAR**4224A**	41,000	TDR&TXV	13.50		11.20	40,500	3.54	25,000	2.54	7.9	315(A,J)AV066155
	CAR**4817A**	42,500	TXV		13.00	10.80	42,500	3.62	26,600	2.50	8.0	
	CAR**4817A**	42,000	TDR&TXV	13.50		11.20	41,500	3.62	25,600	2.54	8.0	355AAV042060
	CAR**4817A**	42,000	TDR&TXV	13.50		11.20	41,500	3.64	25,400	2.56	8.1	315(A,J)AV048090
	CAR**4821A**	42,000	TXV		13.00	10.80	42,500	3.58	26,400	2.48	7.9	
	CAR**4821A**	41,500	TDR&TXV	13.50		11.20	41,500	3.54	25,600	2.50	7.9	355AAV042080
	CAR**4821A**	41,500	TDR&TXV	13.50		11.20	41,500	3.58	25,600	2.54	8.0	355AAV060080
	CAR**4821A**	41,500	TDR&TXV	13.50		11.20	41,000	3.60	25,400	2.54	8.0	355AAV060100
	CAR**4821A**	42,000	TDR&TXV	13.50		11.20	41,000	3.62	25,400	2.56	8.0	315(A,J)AV060110
	CAR**4824A**	42,000	TXV		13.00	10.80	42,500	3.58	26,400	2.48	7.9	
	CAR**4824A**	41,500	TDR&TXV	13.50		11.20	41,500	3.54	25,600	2.52	7.9	355AAV042040
	CAR**4824A**	41,500	TDR&TXV	13.50		11.20	41,000	3.60	25,400	2.54	8.0	355AAV060120
	CAR**4824A**	42,000	TDR&TXV	14.00		11.50	41,000	3.66	25,200	2.58	8.1	315(A,J)AV066135
	CAR**4824A**	42,000	TDR&TXV	14.00		11.50	41,000	3.64	25,200	2.58	8.1	315(A,J)AV066155
	CNRV*4221A**	40,500	TDR&TXV	13.50		11.20	41,000	3.48	25,400	2.50	7.8	355AAV042080
	CNRV*4221A**	41,000	TDR&TXV	13.50		11.20	41,000	3.52	25,400	2.52	7.8	355AAV060080
	CNRV*4221A**	41,000	TDR&TXV	13.50		11.20	41,000	3.54	25,200	2.54	7.9	355AAV060100
	CNRV*4221A**	41,000	TDR&TXV	14.00		11.50	40,500	3.58	25,200	2.56	8.0	315(A,J)AV060110
	CNRV*4821A**	42,000	TXV		13.00	10.80	42,500	3.58	26,400	2.48	7.9	
	CNRV*4821A**	41,500	TDR&TXV	13.50		11.20	41,500	3.54	25,600	2.52	7.9	355AAV042080
	CNRV*4821A**	41,500	TDR&TXV	13.50		11.20	41,500	3.58	25,600	2.54	8.0	355AAV060080
	CNRV*4821A**	41,500	TDR&TXV	13.50		11.20	41,000	3.62	25,400	2.56	8.0	355AAV060100
	CNRV*4821A**	42,000	TDR&TXV	14.00		11.50	41,000	3.64	25,400	2.58	8.1	315(A,J)AV060110
	CNRV*4824A**	42,000	TXV		13.00	10.80	42,500	3.58	26,400	2.48	7.9	
	CNRV*4824A**	41,500	TDR&TXV	13.50		11.20	41,500	3.56	25,600	2.52	7.9	355AAV042040
	CNRV*4824A**	41,500	TDR&TXV	13.50		11.20	41,000	3.60	25,400	2.56	8.0	355AAV060120
	CNRV*4824A**	42,000	TDR&TXV	14.00		11.50	41,000	3.66	25,200	2.58	8.1	315(A,J)AV066135
	CNRV*4824A**	42,000	TDR&TXV	14.00		11.50	41,000	3.66	25,200	2.60	8.1	315(A,J)AV066155
	CNRH*4221A**	40,500	TDR&TXV	13.50		11.20	41,000	3.50	25,400	2.50	7.8	355AAV042040
	CNRH*4221A**	40,500	TDR&TXV	13.50		11.20	41,000	3.52	25,200	2.52	7.9	355AAV042060
	CNRH*4221A**	40,500	TDR&TXV	13.50		11.20	41,000	3.48	25,400	2.50	7.8	355AAV042080
	CNRH*4221A**	41,000	TDR&TXV	13.50		11.20	41,000	3.52	25,400	2.52	7.8	355AAV060080
	CNRH*4221A**	41,000	TDR&TXV	13.50		11.20	41,000	3.54	25,200	2.54	7.9	355AAV060100
	CNRH*4221A**	41,000	TDR&TXV	13.50		11.20	40,500	3.54	25,200	2.54	7.9	355AAV060120
	CNRH*4221A**	41,000	TDR&TXV	13.50		11.20	41,000	3.48	25,400	2.50	7.8	315(A,J)AV036070
	CNRH*4221A**	41,000	TDR&TXV	13.50		11.20	40,500	3.54	25,200	2.54	7.9	315(A,J)AV048090
	CNRH*4221A**	41,000	TDR&TXV	14.00		11.50	40,500	3.58	25,200	2.56	8.0	315(A,J)AV060110
	CNRH*4221A**	41,000	TDR&TXV	14.00		11.50	40,500	3.60	25,000	2.58	8.0	315(A,J)AV066135
	CNRH*4221A**	41,000	TDR&TXV	14.00		11.50	40,500	3.58	25,000	2.58	8.0	315(A,J)AV066155
	CNRH*4821A**	42,000	TXV		13.00	10.80	42,500	3.58	26,400	2.48	7.9	
	CNRH*4821A**	41,500	TDR&TXV	13.50		11.20	41,500	3.56	25,600	2.52	7.9	355AAV042040
	CNRH*4821A**	41,500	TDR&TXV	13.50		11.20	41,000	3.58	25,400	2.54	8.0	355AAV042060
	CNRH*4821A**	41,500	TDR&TXV	13.50		11.20	41,500	3.54	25,600	2.52	7.9	355AAV042080
	CNRH*4821A**	41,500	TDR&TXV	13.50		11.20	41,500	3.58	25,600	2.54	8.0	355AAV060080
	CNRH*4821A**	41,500	TDR&TXV	13.50		11.20	41,000	3.62	25,400	2.56	8.0	355AAV060100
	CNRH*4821A**	41,500	TDR&TXV	13.50		11.20	41,000	3.60	25,400	2.56	8.0	355AAV060120
	CNRH*4821A**	41,500	TDR&TXV	13.50		11.20	41,500	3.56	25,600	2.52	7.9	315(A,J)AV036070
	CNRH*4821A**	42,000	TDR&TXV	13.50		11.20	41,000	3.62	25,400	2.56	8.0	315(A,J)AV048090
	CNRH*4821A**	42,000	TDR&TXV	14.00		11.50	41,000	3.64	25,400	2.58	8.1	315(A,J)AV060110
	CNRH*4821A**	42,000	TDR&TXV	14.00		11.50	41,000	3.66	25,200	2.58	8.1	315(A,J)AV066135
	CNRH*4821A**	42,000	TDR&TXV	14.00		11.50	41,000	3.66	25,200	2.60	8.1	315(A,J)AV066155
	CSRH*4212A**	40,500	TDR&TXV	13.50		11.20	41,000	3.54	25,600	2.52	7.9	355AAV042040

042-A

213R

See notes on pg. 17

COMBINATION RATINGS - CONTINUED

Unit Size – Series	Indoor Model	Cooling Capacity	ARI Standard Ratings									Furnace Model	
			Cooling				Heating						
			Factory Enhance	Standard Rating	SEER	EER	High Temp		Low Temp		HSPF		
							E Capacity	E COP	H Capacity	H COP			
042–A	CSRH*4212A**	41,000	TDR&TXV	13.50		11.20	41,000	3.58	25,600	2.54	8.0	355AAV042060	
	CSRH*4212A**	40,500	TDR&TXV	13.50		11.20	41,000	3.54	25,600	2.50	7.9	355AAV042080	
	CSRH*4212A**	41,000	TDR&TXV	13.50		11.20	41,000	3.58	25,600	2.54	8.0	355AAV060080	
	CSRH*4212A**	41,000	TDR&TXV	13.50		11.20	41,000	3.60	25,600	2.54	8.0	355AAV060100	
	CSRH*4212A**	41,000	TDR&TXV	13.50		11.20	41,000	3.60	25,400	2.54	8.0	355AAV060120	
	CSRH*4212A**	41,000	TDR&TXV	13.50		11.20	41,000	3.56	25,600	2.52	7.9	315(A,J)AV036070	
	CSRH*4212A**	41,000	TDR&TXV	13.50		11.20	41,000	3.62	25,400	2.56	8.0	315(A,J)AV048090	
	CSRH*4212A**	41,000	TDR&TXV	13.50		11.20	41,000	3.62	25,400	2.56	8.0	315(A,J)AV060110	
	CSRH*4212A**	41,000	TDR&TXV	14.00		11.50	41,000	3.66	25,400	2.58	8.1	315(A,J)AV066135	
	CSRH*4212A**	41,000	TDR&TXV	14.00		11.50	41,000	3.64	25,200	2.58	8.1	315(A,J)AV066155	
	CSRH*4812A**	42,500	TXV			13.00	10.80	42,500	3.62	26,600	2.50	8.0	
	CSRH*4812A**	42,000	TDR&TXV	13.50		11.20	41,500	3.56	25,600	2.52	7.9	355AAV042040	
	CSRH*4812A**	42,000	TDR&TXV	13.50		11.20	41,500	3.60	25,600	2.54	8.0	355AAV042060	
	CSRH*4812A**	42,000	TDR&TXV	13.50		11.20	41,500	3.56	25,600	2.52	7.9	355AAV042080	
	CSRH*4812A**	42,000	TDR&TXV	13.50		11.20	41,500	3.60	25,600	2.54	8.0	355AAV060080	
	CSRH*4812A**	42,000	TDR&TXV	13.50		11.20	41,500	3.62	25,600	2.56	8.0	355AAV060100	
	CSRH*4812A**	42,000	TDR&TXV	13.50		11.20	41,000	3.62	25,400	2.56	8.0	355AAV060120	
	CSRH*4812A**	42,000	TDR&TXV	13.50		11.20	41,500	3.58	25,800	2.52	7.9	315(A,J)AV036070	
	CSRH*4812A**	42,000	TDR&TXV	13.50		11.20	41,500	3.64	25,400	2.56	8.1	315(A,J)AV048090	
	CSRH*4812A**	42,000	TDR&TXV	13.50		11.20	41,500	3.64	25,400	2.56	8.1	315(A,J)AV060110	
	CSRH*4812A**	42,000	TDR&TXV	14.00		11.50	41,000	3.68	25,400	2.58	8.1	315(A,J)AV066135	
	CSRH*4812A**	42,000	TDR&TXV	14.00		11.50	41,000	3.68	25,400	2.58	8.1	315(A,J)AV066155	
	*FC4DN(F,B)048	46,500	TDR&TXV	13.00		11.00	48,000	3.40	30,000	2.54	8.4		
	FC4DN(F,B)048	46,500	TDR&TXV	13.20		11.00	48,500	3.40	30,000	2.54	8.4		
	FC4DN(F,B)060	47,500	TDR&TXV	13.50		11.20	48,500	3.48	29,800	2.60	8.6		
	FK4DNF005	46,000	TDR&TXV	13.50		11.20	47,500	3.30	29,400	2.52	8.2		
	FK4DNB006	47,000	TDR&TXV	14.00		11.50	47,500	3.42	29,400	2.58	8.4		
	CAR**4817A**	43,500	TDR&TXV	13.00		10.80	46,500	3.24	29,800	2.46	8.1	315(A,J)AV048090	
CAR**4821A**	44,500	TDR&TXV	13.00		10.80	47,500	3.18	29,800	2.44	8.0	355AAV060080		
CAR**4821A**	44,500	TDR&TXV	13.00		10.80	47,500	3.20	29,600	2.46	8.0	355AAV060100		
CAR**4821A**	44,500	TDR&TXV	13.00		10.80	47,500	3.22	29,600	2.46	8.0	315(A,J)AV060110		
CAR**4824A**	44,500	TDR&TXV	13.00		10.80	47,500	3.20	29,600	2.46	8.0	355AAV060120		
CAR**4824A**	45,000	TDR&TXV	13.20		11.00	47,500	3.24	29,400	2.50	8.1	315(A,J)AV066135		
CAR**4824A**	45,000	TDR&TXV	13.20		11.00	47,500	3.26	29,400	2.50	8.1	315(A,J)AV066155		
CAR**6021A**	45,500	TDR&TXV	13.20		11.00	48,000	3.22	29,800	2.48	8.1	355AAV060080		
CAR**6021A**	46,000	TDR&TXV	13.20		11.00	48,000	3.34	29,600	2.50	8.2	355AAV060100		
CAR**6021A**	46,000	TDR&TXV	13.50		11.20	47,500	3.26	29,600	2.52	8.2	315(A,J)AV060110		
CAR**6024A**	45,500	TDR&TXV	13.20		11.00	47,500	3.22	29,600	2.48	8.1	355AAV060120		
CAR**6024A**	46,000	TDR&TXV	13.50		11.20	47,500	3.28	29,400	2.52	8.2	315(A,J)AV066135		
CAR**6024A**	46,000	TDR&TXV	13.50		11.20	47,500	3.30	29,400	2.54	8.2	315(A,J)AV066155		
CNRV*4821A**	44,500	TDR&TXV	13.00		10.80	47,500	3.18	29,800	2.44	8.0	355AAV060080		
CNRV*4821A**	44,500	TDR&TXV	13.20		10.80	47,500	3.20	31,000	2.96	8.5	355AAV060100		
CNRV*4821A**	44,500	TDR&TXV	13.20		11.00	47,500	3.22	30,800	2.98	8.6	315(A,J)AV060110		
CNRV*4824A**	44,500	TDR&TXV	13.00		10.80	47,500	3.20	31,000	2.96	8.5	355AAV060120		
CNRV*4824A**	45,000	TDR&TXV	13.20		11.00	47,500	3.24	30,800	3.02	8.6	315(A,J)AV066135		
CNRV*4824A**	45,000	TDR&TXV	13.50		11.20	47,500	3.28	30,600	3.04	8.7	315(A,J)AV066155		
CNRV*6024A**	45,500	TDR&TXV	13.20		11.00	47,500	3.22	29,600	2.48	8.1	355AAV060120		
CNRV*6024A**	46,000	TDR&TXV	13.50		11.20	47,500	3.28	29,400	2.52	8.2	315(A,J)AV066135		
CNRV*6024A**	46,000	TDR&TXV	13.50		11.20	47,500	3.30	29,400	2.54	8.2	315(A,J)AV066155		
CNRH*4821A**	44,500	TDR&TXV	13.00		10.80	47,500	3.18	31,000	2.94	8.5	355AAV060080		
CNRH*4821A**	44,500	TDR&TXV	13.00		10.80	47,500	3.20	31,000	2.96	8.5	355AAV060100		
CNRH*4821A**	44,500	TDR&TXV	13.00		10.80	47,500	3.20	31,000	2.96	8.5	355AAV060120		
CNRH*4821A**	45,000	TDR&TXV	13.00		10.80	47,500	3.20	31,000	2.96	8.5	315(A,J)AV048090		
CNRH*4821A**	45,000	TDR&TXV	13.20		11.00	47,500	3.22	30,800	2.98	8.6	315(A,J)AV060110		
CNRH*4821A**	45,000	TDR&TXV	13.20		11.00	47,500	3.24	30,800	3.02	8.6	315(A,J)AV066135		
CNRH*4821A**	45,000	TDR&TXV	13.50		11.20	47,500	3.28	30,600	3.04	8.7	315(A,J)AV066155		

213R

See notes on pg. 17

COMBINATION RATINGS - CONTINUED

Unit Size – Series	Indoor Model	Cooling Capacity	ARI Standard Ratings									Furnace Model	
			Cooling				Heating						
			Factory Enhance	Standard Rating	SEER TDR	EER	High Temp		Low Temp		HSPF		
							E Capacity	E COP	H Capacity	H COP			
048–A	CNRH*6024A**	45,500	TDR&TXV	13.20		11.00	47,500	3.22	29,800	2.48	8.0	355AAV060080	
	CNRH*6024A**	45,500	TDR&TXV	13.20		11.00	47,500	3.24	29,600	2.48	8.1	355AAV060100	
	CNRH*6024A**	45,500	TDR&TXV	13.20		11.00	47,500	3.22	29,600	2.48	8.1	355AAV060120	
	CNRH*6024A**	45,500	TDR&TXV	13.20		11.00	47,500	3.24	29,600	2.50	8.1	315(A,J)AV048090	
	CNRH*6024A**	46,000	TDR&TXV	13.50		11.20	47,500	3.26	29,600	2.50	8.1	315(A,J)AV060110	
	CNRH*6024A**	46,000	TDR&TXV	13.50		11.20	47,500	3.28	29,400	2.52	8.2	315(A,J)AV066135	
	CNRH*6024A**	46,000	TDR&TXV	13.50		11.20	47,500	3.30	29,400	2.54	8.2	315(A,J)AV066155	
	CSRH*4812A**	44,500	TDR&TXV	13.00		10.80	47,500	3.20	31,200	2.94	8.5	355AAV060080	
	CSRH*4812A**	44,500	TDR&TXV	13.00		10.80	47,500	3.22	31,200	2.96	8.6	355AAV060100	
	CSRH*4812A**	44,500	TDR&TXV	13.00		10.80	47,500	3.22	31,000	2.96	8.6	355AAV060120	
	CSRH*4812A**	45,000	TDR&TXV	13.00		10.80	47,500	3.22	31,000	2.96	8.6	315(A,J)AV048090	
	CSRH*4812A**	44,500	TDR&TXV	13.20		11.00	47,500	3.24	31,000	2.98	8.6	315(A,J)AV060110	
	CSRH*4812A**	44,500	TDR&TXV	13.20		11.00	47,500	3.26	31,000	3.00	8.7	315(A,J)AV066135	
	CSRH*4812A**	45,000	TDR&TXV	13.50		11.20	47,500	3.30	30,800	3.02	8.7	315(A,J)AV066155	
	CSRH*6012A**	45,500	TDR&TXV	13.20		11.00	48,000	3.26	29,800	2.48	8.1	355AAV060080	
	CSRH*6012A**	46,000	TDR&TXV	13.20		11.00	48,000	3.28	29,600	2.50	8.2	355AAV060100	
	CSRH*6012A**	46,000	TDR&TXV	13.50		11.20	47,500	3.26	29,600	2.50	8.1	355AAV060120	
	CSRH*6012A**	46,000	TDR&TXV	13.50		11.20	47,500	3.28	29,600	2.50	8.2	315(A,J)AV048090	
	CSRH*6012A**	46,000	TDR&TXV	13.50		11.20	47,500	3.30	29,600	2.52	8.2	315(A,J)AV060110	
	CSRH*6012A**	46,000	TDR&TXV	13.50		11.20	47,500	3.32	29,400	2.54	8.3	315(A,J)AV066135	
	CSRH*6012A**	46,000	TDR&TXV	13.50		11.20	47,500	3.34	29,400	2.54	8.3	315(A,J)AV066155	
	060–A	*FC4DN(F,B)060	59,500	TDR&TXV	13.00		10.80	58,500	3.46	37,200	2.50	7.9	
		FK4DNB006	58,500	TDR&TXV	13.20		11.00	59,500	3.34	38,000	2.40	7.7	
		CAR**6024A**	57,500	TDR&TXV	13.00		10.80	58,500	3.38	36,600	2.46	7.7	315(A,J)AV066135
		CAR**6024A**	58,000	TDR&TXV	13.00		10.80	58,500	3.40	36,400	2.48	7.8	315(A,J)AV066155
		CNRV*6024A**	57,500	TDR&TXV	13.00		10.80	59,000	3.36	36,400	2.46	7.7	315(A,J)AV066155
		CNRH*6024A**	57,500	TDR&TXV	13.00		10.80	59,000	3.36	36,400	2.46	7.7	315(A,J)AV066155
		CSRH*6012A**	57,500	TDR&TXV	13.00		10.80	59,000	3.42	36,400	2.48	7.8	315(A,J)AV066135
CSRH*6012A**		58,000	TDR&TXV	13.00		10.80	59,000	3.46	36,400	2.48	7.8	315(A,J)AV066155	

* Ratings are net values reflecting the effects of circulating fan heat. Supplemental electric heat is not included. Ratings are based on:

Cooling Standard: 80°F (27°C) db 67°F (19°C) wb indoor entering air temperature and 95°F (35°C) db air entering outdoor unit.

High-Temp Heating Standard: 70°F (21°C) db indoor entering air temperature and 47°F (8°C) db 43°F (6°C) wb air entering outdoor unit.

Low-Temp Heating Standard: 70°F (21°C) db indoor entering air temperature and 17°F (±9°C) db 15°F (±10°C) wb air entering outdoor unit.

SEER — Seasonal Energy Efficiency Ratio

COP — Coefficient of Performance

TDR — Time-Delay Relay

HSPF — Heating Seasonal Performance Factor

EER — Energy Efficiency Ratio

DETAILED COOLING CAPACITIES

EVAPORATOR AIR		CONDENSER ENTERING AIR TEMPERATURES deg F																	
		75				85			95			105			115			125	
CFM	EW B	Capacity MBtu/h†		Total Sys-tem KW**	Capacity MBtu/h†		Total Sys-tem KW**	Capacity MBtu/h†		Total Sys-tem KW**	Capacity MBtu/h†		Total Sys-tem KW**	Capacity MBtu/h†		Total Sys-tem KW**	Capacity MBtu/h†		Total Sys-tem KW**
		Total	Sens‡		Total	Sens‡		Total	Sens‡		Total	Sens‡		Total	Sens‡		Total	Sens‡	
213RNA018 – A Outdoor Section With FA4CNF018 Indoor Section																			
525	72	20.06	10.33	1.19	19.34	10.06	1.33	18.59	9.77	1.48	17.79	9.46	1.65	16.96	9.15	1.84	16.08	8.83	2.05
	67	18.25	12.89	1.19	17.57	12.59	1.33	16.85	12.28	1.48	16.09	11.97	1.65	15.30	11.64	1.83	14.49	11.30	2.04
	63	16.94	12.44	1.19	16.28	12.14	1.32	15.59	11.82	1.47	14.88	11.50	1.64	14.13	11.16	1.83	13.35	10.82	2.03
	62	16.64	15.38	1.18	16.00	15.05	1.32	15.35	14.70	1.47	14.67	14.33	1.64	13.95	13.95	1.83	13.32	13.32	2.03
	57	16.16	16.16	1.18	15.64	15.64	1.32	15.10	15.10	1.47	14.53	14.53	1.64	13.94	13.94	1.83	13.32	13.32	2.03
600	72	20.39	10.80	1.22	19.65	10.52	1.36	18.87	10.23	1.51	18.05	9.92	1.68	17.19	9.61	1.87	16.29	9.28	2.08
	67	18.55	13.67	1.22	17.84	13.37	1.36	17.10	13.06	1.51	16.32	12.74	1.68	15.51	12.40	1.86	14.67	12.05	2.07
	63	17.22	13.17	1.21	16.55	12.87	1.35	15.84	12.55	1.50	15.09	12.21	1.67	14.32	11.87	1.86	13.53	11.51	2.06
	62	16.98	16.37	1.21	16.34	16.01	1.35	15.66	15.66	1.50	15.04	15.04	1.67	14.41	14.41	1.86	13.76	13.76	2.06
	57	16.75	16.75	1.21	16.21	16.21	1.35	15.64	15.64	1.50	15.04	15.04	1.67	14.42	14.42	1.86	13.76	13.76	2.06
675	72	20.63	11.24	1.25	19.87	10.95	1.39	19.07	10.66	1.54	18.23	10.35	1.71	17.35	10.04	1.90	16.43	9.70	2.11
	67	18.77	14.41	1.25	18.05	14.11	1.38	17.28	13.79	1.54	16.49	13.46	1.71	15.66	13.12	1.89	14.80	12.76	2.10
	63	17.44	13.87	1.24	16.74	13.55	1.38	16.01	13.23	1.53	15.25	12.89	1.70	14.47	12.53	1.89	13.65	12.16	2.09
	62	17.27	17.27	1.24	16.67	16.67	1.38	16.08	16.08	1.53	15.46	15.46	1.70	14.80	14.80	1.89	14.12	14.12	2.09
	57	17.24	17.24	1.24	16.68	16.68	1.38	16.08	16.08	1.53	15.46	15.46	1.70	14.81	14.81	1.89	14.13	14.13	2.09

213R

Cooling Indoor Model	Capacity	Power	Furnace Model
*FA4CN(F,C)018	1.00	1.00	
FA4CN(F,C)024	1.01	1.01	
FC4DNF018	1.02	0.94	
FC4DNF024	1.03	0.93	
FF1ENE018	1.00	1.00	
FF1ENE024	1.01	1.01	
FK4DNF001	1.02	0.92	
FK4DNF002	1.04	0.89	
CAR**1814A**	0.99	0.99	
CAR**2414A**	1.02	1.02	
CAR**2417A**	1.02	1.02	
CNRF*2418A**	1.02	1.02	
CNRH*2417A**	1.02	1.02	
CNRV*1814A**	0.99	0.99	
CNRV*2414A**	1.02	1.02	
CNRV*2417A**	1.02	1.02	
CSRH*2412A**	1.02	1.02	
CAR**1814A**	0.99	0.91	315(A,J)AV036070
CAR**2414A**	1.01	0.91	315(A,J)AV036070
CNRH*2417A**	1.02	0.92	315(A,J)AV036070
CNRV*1814A**	0.99	0.89	315(A,J)AV036070
CNRV*2414A**	1.01	0.91	315(A,J)AV036070
CSRH*2412A**	1.01	0.91	315(A,J)AV036070
CAR**2417A**	1.02	0.92	315(A,J)AV048090
CNRH*2417A**	1.02	0.92	315(A,J)AV048090
CNRV*2417A**	1.02	0.92	315(A,J)AV048090
CSRH*2412A**	1.02	0.92	315(A,J)AV048090
CNRH*2417A**	1.01	0.91	355AAV042040
CSRH*2412A**	1.01	0.91	355AAV042040
CAR**2417A**	1.01	0.91	355AAV042060
CNRH*2417A**	1.01	0.91	355AAV042060
CNRV*2417A**	1.01	0.91	355AAV042060
CSRH*2412A**	1.01	0.91	355AAV042060
CNRH*2417A**	1.02	0.92	355AAV042080
CSRH*2412A**	1.02	0.92	355AAV042080

See notes on pg. 24

DETAILED COOLING CAPACITIES - CONTINUED

EVAPORATOR AIR		CONDENSER ENTERING AIR TEMPERATURES deg F																							
		75				85				95				105				115				125			
		CFM	EWB	Capacity MBtu/h†		Total System KW**	Capacity MBtu/h†		Total System KW**	Capacity MBtu/h†		Total System KW**	Capacity MBtu/h†		Total System KW**	Capacity MBtu/h†		Total System KW**	Capacity MBtu/h†		Total System KW**				
Total	Sens ‡			Total	Sens ‡		Total	Sens ‡		Total	Sens ‡		Total	Sens ‡		Total	Sens ‡		Total	Sens ‡					
213RNA024 – A Outdoor Section With FA4CNC024 Indoor Section																									
700	72	26.55	13.79	1.69	25.58	13.41	1.88	24.57	13.03	2.08	23.52	12.63	2.31	22.41	12.22	2.57	21.24	11.79	2.84						
	67	24.11	12.20	1.67	23.20	12.81	1.86	22.26	12.42	2.07	21.27	12.00	2.30	20.24	11.57	2.55	19.15	11.12	2.82						
	63	22.37	11.59	1.66	21.51	12.20	1.85	20.61	11.80	2.06	19.67	11.37	2.28	18.69	11.33	2.53	17.65	10.73	2.80						
	62	22.00	11.58	1.66	21.18	12.15	1.85	20.32	11.70	2.05	19.44	11.21	2.28	18.57	11.33	2.53	17.73	10.73	2.80						
	57	21.50	11.50	1.66	20.82	12.02	1.85	20.11	11.20	2.05	19.36	11.21	2.28	18.57	11.33	2.53	17.73	10.73	2.80						
800	72	27.00	14.44	1.73	25.99	14.06	1.91	24.95	13.67	2.12	23.86	13.27	2.35	22.71	12.85	2.61	21.51	12.42	2.88						
	67	24.52	12.82	1.71	23.58	12.89	1.90	22.60	12.49	2.11	21.58	12.07	2.34	20.51	11.62	2.59	19.40	11.66	2.86						
	63	22.75	12.61	1.70	21.86	12.21	1.89	20.93	11.80	2.10	19.97	11.36	2.32	18.95	11.31	2.57	17.89	11.44	2.84						
	62	22.48	12.66	1.70	21.64	12.50	1.89	20.83	11.83	2.09	20.04	11.36	2.32	19.21	11.31	2.57	18.34	11.34	2.84						
	57	22.30	12.30	1.70	21.59	12.59	1.89	20.83	11.83	2.09	20.05	11.36	2.32	19.21	11.31	2.57	18.34	11.34	2.84						
900	72	27.33	15.05	1.77	26.29	14.68	1.95	25.22	14.29	2.16	24.10	13.88	2.39	22.93	13.46	2.65	21.69	13.02	2.92						
	67	24.82	13.32	1.75	23.85	13.92	1.94	22.85	13.51	2.15	21.81	13.07	2.37	20.72	12.62	2.62	19.58	12.15	2.90						
	63	23.03	12.57	1.74	22.12	13.16	1.93	21.17	12.74	2.13	20.18	12.30	2.36	19.15	11.84	2.61	18.07	11.35	2.88						
	62	22.97	12.97	1.74	22.22	13.22	1.93	21.43	12.43	2.14	20.61	12.61	2.37	19.74	11.84	2.62	18.83	11.33	2.89						
	57	22.97	12.97	1.74	22.22	13.22	1.93	21.44	12.44	2.14	20.61	12.61	2.37	19.75	11.84	2.62	18.83	11.33	2.89						

Cooling Indoor Model	Capacity	Power	Furnace Model
*FA4CN(F,C)024	1.00	1.00	
FA4CN(F,C)030	1.01	1.01	
FC4DNF024	1.02	0.96	
FC4DNF030	1.03	0.96	
FF1ENE030	1.00	1.00	
FK4DNF001	1.02	0.94	
FK4DNF002	1.03	0.95	
FK4DNF003	1.03	0.95	
CAR**2414A**	1.01	1.01	
CAR**2417A**	1.01	1.01	
CAR**3014A**	1.01	1.01	
CAR**3017A**	1.01	1.01	
CNRF*2418A**	1.01	1.01	
CNRH*2417A**	1.01	1.01	
CNRH*3017A**	1.01	1.01	
CNRV*2414A**	1.01	1.01	
CNRV*2417A**	1.01	1.01	
CNRV*3014A**	1.01	1.01	
CNRV*3017A**	1.01	1.01	
CSRH*2412A**	1.01	1.01	
CSRH*3012A**	1.01	1.01	
CAR**2414A**	1.01	0.95	315(A,J)AV036070
CAR**3014A**	1.01	0.95	315(A,J)AV036070
CNRH*2417A**	1.00	0.94	315(A,J)AV036070
CNRH*3017A**	1.01	0.93	315(A,J)AV036070
CNRV*2414A**	1.00	0.94	315(A,J)AV036070
CNRV*3014A**	1.01	0.95	315(A,J)AV036070
CSRH*2412A**	1.01	0.95	315(A,J)AV036070
CSRH*3012A**	1.01	0.93	315(A,J)AV036070
CAR**2417A**	1.01	0.93	315(A,J)AV048090
CAR**3017A**	1.02	0.94	315(A,J)AV048090
CNRH*2417A**	1.01	0.95	315(A,J)AV048090
CNRH*3017A**	1.02	0.94	315(A,J)AV048090
CNRV*2417A**	1.01	0.95	315(A,J)AV048090
CNRV*3017A**	1.02	0.94	315(A,J)AV048090
CSRH*2412A**	1.01	0.93	315(A,J)AV048090
CSRH*3012A**	1.01	0.93	315(A,J)AV048090

Cooling Indoor Model	Capacity	Power	Furnace Model
CNRH*2417A**	1.01	0.95	315(A,J)AV060110
CNRH*3017A**	1.02	0.94	315(A,J)AV060110
CSRH*2412A**	1.01	0.95	315(A,J)AV060110
CSRH*3012A**	1.01	0.93	315(A,J)AV060110
CNRH*2417A**	1.01	0.95	315(A,J)AV066135
CNRH*3017A**	1.02	0.94	315(A,J)AV066135
CSRH*2412A**	1.01	0.95	315(A,J)AV066135
CSRH*3012A**	1.01	0.93	315(A,J)AV066135
CNRH*2417A**	1.01	0.95	315(A,J)AV066155
CNRH*3017A**	1.02	0.94	315(A,J)AV066155
CSRH*2412A**	1.01	0.93	315(A,J)AV066155
CSRH*3012A**	1.01	0.93	315(A,J)AV066155
CNRH*2417A**	1.01	0.95	355AAV042040
CNRH*3017A**	1.01	0.93	355AAV042040
CSRH*2412A**	1.01	0.95	355AAV042040
CSRH*3012A**	1.01	0.93	355AAV042040
CAR**2417A**	1.01	0.95	355AAV042060
CAR**3017A**	1.01	0.93	355AAV042060
CNRH*2417A**	1.01	0.95	355AAV042060
CNRH*3017A**	1.01	0.93	355AAV042060
CNRV*2417A**	1.01	0.95	355AAV042060
CNRV*3017A**	1.01	0.93	355AAV042060
CSRH*2412A**	1.01	0.95	355AAV042060
CSRH*3012A**	1.01	0.93	355AAV042060
CNRH*2417A**	1.01	0.95	355AAV042080
CNRH*3017A**	1.01	0.93	355AAV042080
CSRH*2412A**	1.01	0.95	355AAV042080
CSRH*3012A**	1.01	0.93	355AAV042080
CNRH*2417A**	1.01	0.95	355AAV060080
CNRH*3017A**	1.01	0.93	355AAV060080
CSRH*2412A**	1.01	0.95	355AAV060080
CSRH*3012A**	1.01	0.93	355AAV060080
CNRH*2417A**	1.01	0.95	355AAV060100
CNRH*3017A**	1.01	0.93	355AAV060100
CSRH*2412A**	1.01	0.95	355AAV060100
CSRH*3012A**	1.01	0.93	355AAV060100
CNRH*2417A**	1.00	0.94	355AAV060120
CNRH*3017A**	1.01	0.93	355AAV060120
CSRH*2412A**	1.01	0.95	355AAV060120
CSRH*3012A**	1.01	0.93	355AAV060120

See notes on pg. 24

DETAILED COOLING CAPACITIES - CONTINUED

EVAPORATOR AIR		CONDENSER ENTERING AIR TEMPERATURES deg F																		
		75				85			95			105			115			125		
		CFM	EWB	Capacity MBtu/h†		Total Sys-tem KW**	Capacity MBtu/h†		Total Sys-tem KW**	Capacity MBtu/h†		Total Sys-tem KW**	Capacity MBtu/h†		Total Sys-tem KW**	Capacity MBtu/h†		Total Sys-tem KW**	Capacity MBtu/h†	
Total	Sens‡			Total	Sens‡		Total	Sens‡		Total	Sens‡		Total	Sens‡		Total	Sens‡		Total	Sens‡
213RNA030-A Outdoor Section With FA4CNF030 Indoor Section																				
875	72	33.50	17.16	2.08	32.17	16.64	2.33	30.80	16.11	2.60	29.39	15.58	2.90	27.93	15.03	3.23	26.40	14.46	3.59	
	67	30.45	21.24	2.09	29.23	20.71	2.33	27.96	20.17	2.60	26.66	19.62	2.90	25.30	19.05	3.23	23.88	18.46	3.58	
	63	28.25	20.51	2.09	27.10	19.98	2.33	25.91	19.44	2.60	24.68	18.88	2.90	23.40	18.30	3.22	22.06	17.70	3.57	
	62	27.76	25.27	2.09	26.65	24.71	2.33	25.51	24.12	2.60	24.34	23.49	2.90	23.14	22.81	3.22	21.95	21.95	3.57	
	57	26.84	26.84	2.09	25.94	25.94	2.33	25.01	25.01	2.60	24.04	24.04	2.90	23.02	23.02	3.22	21.95	21.95	3.57	
1000	72	34.09	17.92	2.13	32.70	17.40	2.37	31.27	16.86	2.65	29.82	16.32	2.95	28.31	15.76	3.28	26.73	15.18	3.63	
	67	31.00	22.51	2.13	29.72	21.97	2.38	28.40	21.42	2.65	27.06	20.86	2.95	25.65	20.28	3.27	24.19	19.67	3.62	
	63	28.77	21.70	2.13	27.57	21.16	2.38	26.33	20.61	2.65	25.06	20.04	2.95	23.74	19.44	3.27	22.36	18.83	3.62	
	62	28.35	26.94	2.13	27.22	26.32	2.38	26.07	25.65	2.65	24.90	24.90	2.95	23.81	23.81	3.27	22.68	22.68	3.62	
	57	27.86	27.86	2.13	26.91	26.91	2.38	25.92	25.92	2.65	24.89	24.89	2.95	23.82	23.82	3.27	22.69	22.69	3.62	
1125	72	34.54	18.65	2.17	33.11	18.12	2.42	31.63	17.57	2.69	30.14	17.03	2.99	28.58	16.46	3.32	26.96	15.88	3.68	
	67	31.42	23.74	2.18	30.10	23.19	2.42	28.74	22.63	2.69	27.35	22.05	2.99	25.92	21.45	3.32	24.43	20.83	3.67	
	63	29.16	22.85	2.18	27.93	22.30	2.42	26.66	21.73	2.69	25.36	21.15	2.99	24.00	20.54	3.31	22.59	19.90	3.66	
	62	28.88	28.40	2.18	27.73	27.73	2.42	26.66	26.66	2.69	25.59	25.59	2.99	24.47	24.47	3.32	23.28	23.28	3.67	
	57	28.70	28.70	2.18	27.70	27.70	2.42	26.67	26.67	2.69	25.60	25.60	2.99	24.47	24.47	3.32	23.29	23.29	3.67	

213R

Cooling Indoor Model	Capacity	Power	Furnace Model
*FA4CN(F,C)030	1.00	1.00	
FC4DN(F,B)036	1.03	0.97	
FC4DNF030	1.01	0.98	
FF1ENE030	0.99	1.02	
FF1ENE036	1.01	1.01	
FK4DNF001	1.00	0.96	
FK4DNF002	1.01	0.95	
FK4DNF003	1.01	0.94	
FK4DNF005	1.05	0.94	
CAR**3014A**	1.01	1.04	
CAR**3017A**	1.01	1.04	
CAR**3614A**	1.00	1.03	
CAR**3617A**	1.01	1.04	
CAR**3621A**	1.01	1.04	
CNRF*3618A**	1.01	1.04	
CNRH*3017A**	1.01	1.04	
CNRH*3617A**	1.01	1.04	
CNRV*3014A**	1.01	1.04	
CNRV*3017A**	1.01	1.04	
CNRV*3617A**	1.01	1.04	
CNRV*3621A**	1.01	1.04	
CSRH*3012A**	1.01	1.04	
CSRH*3612A**	1.00	1.00	
CAR**3014A**	1.00	0.96	315(A,J)AV036070
CAR**3614A**	1.00	0.94	315(A,J)AV036070
CNRH*3017A**	1.00	0.94	315(A,J)AV036070
CNRH*3617A**	1.00	0.94	315(A,J)AV036070
CNRV*3014A**	1.00	0.96	315(A,J)AV036070
CSRH*3012A**	1.00	0.94	315(A,J)AV036070
CSRH*3612A**	1.01	0.95	315(A,J)AV036070
CAR**3017A**	1.00	0.94	315(A,J)AV048090
CAR**3617A**	1.01	0.95	315(A,J)AV048090
CNRH*3017A**	1.00	0.94	315(A,J)AV048090
CNRH*3617A**	1.00	0.94	315(A,J)AV048090
CNRV*3017A**	1.00	0.94	315(A,J)AV048090
CNRV*3617A**	1.00	0.94	315(A,J)AV048090
CSRH*3012A**	1.00	0.94	315(A,J)AV048090
CSRH*3612A**	1.01	0.93	315(A,J)AV048090
CAR**3621A**	1.01	0.95	315(A,J)AV060110
CNRH*3017A**	1.01	0.95	315(A,J)AV060110
CNRH*3617A**	1.01	0.95	315(A,J)AV060110
CNRV*3621A**	1.01	0.95	315(A,J)AV060110

Cooling Indoor Model	Capacity	Power	Furnace Model
CSRH*3012A**	1.00	0.94	315(A,J)AV060110
CSRH*3612A**	1.01	0.93	315(A,J)AV060110
CNRH*3017A**	1.01	0.95	315(A,J)AV066135
CNRH*3617A**	1.01	0.95	315(A,J)AV066135
CSRH*3012A**	1.01	0.95	315(A,J)AV066135
CSRH*3612A**	1.01	0.93	315(A,J)AV066135
CNRH*3017A**	1.01	0.95	315(A,J)AV066155
CNRH*3617A**	1.01	0.95	315(A,J)AV066155
CSRH*3012A**	1.01	0.95	315(A,J)AV066155
CSRH*3612A**	1.01	0.93	315(A,J)AV066155
CNRH*3017A**	1.00	0.94	355AAV042040
CNRH*3617A**	1.00	0.94	355AAV042040
CSRH*3012A**	1.00	0.94	355AAV042040
CSRH*3612A**	1.01	0.95	355AAV042040
CAR**3017A**	1.00	0.94	355AAV042060
CAR**3617A**	1.00	0.94	355AAV042060
CNRH*3017A**	1.00	0.94	355AAV042060
CNRH*3617A**	1.00	0.94	355AAV042060
CNRV*3017A**	1.00	0.94	355AAV042060
CNRV*3617A**	1.00	0.94	355AAV042060
CSRH*3012A**	1.00	0.94	355AAV042060
CSRH*3612A**	1.01	0.93	355AAV042060
CAR**3621A**	1.01	0.95	355AAV042080
CNRH*3017A**	1.00	0.94	355AAV042080
CNRH*3617A**	1.00	0.94	355AAV042080
CNRV*3621A**	1.00	0.94	355AAV042080
CSRH*3012A**	1.00	0.94	355AAV042080
CSRH*3612A**	1.01	0.93	355AAV042080
CAR**3621A**	1.01	0.95	355AAV060080
CNRH*3017A**	1.00	0.94	355AAV060080
CNRH*3617A**	1.00	0.94	355AAV060080
CNRV*3621A**	1.00	0.94	355AAV060080
CSRH*3012A**	1.00	0.94	355AAV060080
CSRH*3612A**	1.01	0.93	355AAV060080
CAR**3621A**	1.01	0.95	355AAV060100
CNRH*3017A**	1.00	0.94	355AAV060100
CNRH*3617A**	1.00	0.94	355AAV060100
CNRV*3621A**	1.00	0.94	355AAV060100
CSRH*3012A**	1.00	0.94	355AAV060100
CSRH*3612A**	1.01	0.93	355AAV060100
CNRH*3017A**	1.00	0.94	355AAV060120
CNRH*3617A**	1.00	0.94	355AAV060120
CSRH*3012A**	1.00	0.94	355AAV060120
CSRH*3612A**	1.01	0.93	355AAV060120

See notes on pg. 24

DETAILED COOLING CAPACITIES - CONTINUED

EVAPORATOR AIR		CONDENSER ENTERING AIR TEMPERATURES deg F																	
		75			85			95			105			115			125		
		CFM	EWB	Capacity MBtu/h†		Total Sys-tem KW**	Capacity MBtu/h†		Total Sys-tem KW**	Capacity MBtu/h†		Total Sys-tem KW**	Capacity MBtu/h†		Total Sys-tem KW**	Capacity MBtu/h†		Total Sys-tem KW**	
Total	Sens‡			Total	Sens‡		Total	Sens‡		Total	Sens‡		Total	Sens‡		Total	Sens‡		
213RNA036-A Outdoor Section With FC4DNF036 Indoor Section																			
1050	72	40.13	20.97	2.51	38.65	20.40	2.78	37.11	19.82	3.08	35.51	19.21	3.41	33.85	18.59	3.77	32.12	17.95	4.17
	67	36.44	25.98	2.49	35.06	25.39	2.76	33.64	24.79	3.06	32.15	24.16	3.39	30.61	23.52	3.75	29.00	22.85	4.14
	63	33.79	25.06	2.47	32.49	24.47	2.74	31.14	23.86	3.04	29.74	23.22	3.37	28.28	22.57	3.73	26.75	21.88	4.11
	62	33.26	30.90	2.47	32.01	30.25	2.74	30.73	29.57	3.04	29.41	28.83	3.37	28.05	28.05	3.72	26.80	26.80	4.11
	57	32.40	32.40	2.47	31.38	31.38	2.74	30.32	30.32	3.03	29.20	29.20	3.36	28.03	28.03	3.72	26.80	26.80	4.12
1200	72	40.86	21.96	2.55	39.32	21.38	2.82	37.73	20.79	3.12	36.08	20.18	3.45	34.36	19.55	3.81	32.56	18.90	4.21
	67	37.11	27.60	2.53	35.68	27.00	2.80	34.20	26.38	3.10	32.67	25.74	3.42	31.08	25.08	3.79	29.42	24.39	4.18
	63	34.42	26.57	2.51	33.07	25.97	2.78	31.68	25.34	3.08	30.23	24.69	3.41	28.73	24.02	3.76	27.16	23.32	4.15
	62	34.02	32.93	2.51	32.76	32.21	2.78	31.46	31.46	3.08	30.26	30.26	3.41	29.03	29.03	3.77	27.74	27.74	4.16
	57	33.64	33.64	2.51	32.56	32.56	2.78	31.44	31.44	3.08	30.27	30.27	3.41	29.04	29.04	3.77	27.74	27.74	4.16
1350	72	41.44	22.92	2.59	39.85	22.34	2.86	38.22	21.74	3.16	36.51	21.12	3.49	34.75	20.48	3.85	32.91	19.82	4.25
	67	37.65	29.17	2.57	36.17	28.55	2.83	34.65	27.92	3.13	33.08	27.26	3.46	31.45	26.58	3.82	29.76	25.87	4.22
	63	34.94	28.04	2.55	33.55	27.42	2.82	32.12	26.78	3.12	30.63	26.11	3.44	29.10	25.42	3.80	27.49	24.68	4.19
	62	34.71	34.71	2.55	33.55	33.55	2.82	32.37	32.37	3.12	31.15	31.15	3.45	29.86	29.86	3.81	28.51	28.51	4.21
	57	34.68	34.68	2.55	33.55	33.55	2.82	32.38	32.38	3.12	31.15	31.15	3.45	29.87	29.87	3.81	28.52	28.52	4.21

Cooling Indoor Model	Capacity	Power	Furnace Model
*FC4DN(FB)036	1.00	1.00	
FC4DN(FB)042	1.02	0.99	
FK4DNF002	0.98	0.98	
FK4DNF003	0.99	0.95	
FK4DNF005	1.03	0.97	
CAR**3614A**	0.95	0.96	315(A,J)AV036070
CNRH**3617A**	0.97	0.99	315(A,J)AV036070
CNRH**4221A**	0.99	0.99	315(A,J)AV036070
CSRH**3612A**	0.98	0.98	315(A,J)AV036070
CSRH**4212A**	0.98	0.98	315(A,J)AV036070
CAR**3617A**	0.98	0.98	315(A,J)AV048090
CNRH**3617A**	0.98	0.98	315(A,J)AV048090
CNRH**4221A**	0.99	0.97	315(A,J)AV048090
CNRV**3617A**	0.98	0.98	315(A,J)AV048090
CSRH**3612A**	0.98	0.96	315(A,J)AV048090
CSRH**4212A**	0.98	0.96	315(A,J)AV048090
CAR**3621A**	0.98	0.98	315(A,J)AV060110
CAR**4221A**	0.99	0.97	315(A,J)AV060110
CNRH**3617A**	0.98	0.99	315(A,J)AV060110
CNRH**4221A**	0.99	0.97	315(A,J)AV060110
CNRV**3621A**	0.98	0.98	315(A,J)AV060110
CNRV**4221A**	0.99	0.97	315(A,J)AV060110
CSRH**3612A**	0.98	0.96	315(A,J)AV060110
CSRH**4212A**	0.98	0.96	315(A,J)AV060110
CAR**4224A**	0.99	0.97	315(A,J)AV066135
CNRH**3617A**	0.98	0.98	315(A,J)AV066135
CNRH**4221A**	0.99	0.97	315(A,J)AV066135
CSRH**3612A**	0.98	0.96	315(A,J)AV066135
CSRH**4212A**	0.98	0.96	315(A,J)AV066135
CAR**4224A**	0.99	0.98	315(A,J)AV066155
CNRH**3617A**	0.98	0.98	315(A,J)AV066155
CNRH**4221A**	0.99	0.97	315(A,J)AV066155
CSRH**3612A**	0.98	0.96	315(A,J)AV066155
CSRH**4212A**	0.98	0.96	315(A,J)AV066155
CAR**4224A**	0.98	0.98	355AAV042040
CNRH**3617A**	0.97	0.99	355AAV042040
CNRH**4221A**	0.99	0.99	355AAV042040
CSRH**3612A**	0.98	0.98	355AAV042040
CSRH**4212A**	0.98	0.98	355AAV042040

Cooling Indoor Model	Capacity	Power	Furnace Model
CAR**3617A**	0.98	0.98	355AAV042060
CNRH**3617A**	0.97	0.99	355AAV042060
CNRH**4221A**	0.99	0.97	355AAV042060
CNRV**3617A**	0.97	0.99	355AAV042060
CSRH**3612A**	0.98	0.96	355AAV042060
CSRH**4212A**	0.98	0.96	355AAV042060
CAR**3621A**	0.97	0.99	355AAV042080
CAR**4221A**	0.98	1.00	355AAV042080
CNRH**3617A**	0.97	0.99	355AAV042080
CNRH**4221A**	0.99	0.99	355AAV042080
CNRV**3621A**	0.97	1.00	355AAV042080
CNRV**4221A**	0.98	0.98	355AAV042080
CSRH**3612A**	0.98	0.98	355AAV042080
CSRH**4212A**	0.98	0.98	355AAV042080
CAR**3621A**	0.98	0.99	355AAV060080
CAR**4221A**	0.99	0.99	355AAV060080
CNRH**3617A**	0.97	0.99	355AAV060080
CNRH**4221A**	0.99	0.97	355AAV060080
CNRV**3621A**	0.97	0.99	355AAV060080
CNRV**4221A**	0.99	0.97	355AAV060080
CSRH**3612A**	0.98	0.98	355AAV060080
CSRH**4212A**	0.98	0.96	355AAV060080
CAR**3621A**	0.98	0.98	355AAV060100
CAR**4221A**	0.99	0.99	355AAV060100
CNRH**3617A**	0.98	0.99	355AAV060100
CNRH**4221A**	0.99	0.97	355AAV060100
CNRV**3621A**	0.98	0.99	355AAV060100
CNRV**4221A**	0.99	0.97	355AAV060100
CSRH**3612A**	0.98	0.96	355AAV060100
CSRH**4212A**	0.98	0.96	355AAV060100
CAR**4224A**	0.99	0.97	355AAV060120
CNRH**3617A**	0.97	0.99	355AAV060120
CNRH**4221A**	0.99	0.97	355AAV060120
CSRH**3612A**	0.98	0.96	355AAV060120
CSRH**4212A**	0.98	0.96	355AAV060120

See notes on pg. 24

213R

DETAILED COOLING CAPACITIES - CONTINUED

EVAPORATOR AIR		CONDENSER ENTERING AIR TEMPERATURES deg F																	
CFM	EWB	75			85			95			105			115			125		
		Capacity MBtu/h†		Total System KW**	Capacity MBtu/h†		Total System KW**	Capacity MBtu/h†		Total System KW**	Capacity MBtu/h†		Total System KW**	Capacity MBtu/h†		Total System KW**	Capacity MBtu/h†		Total System KW**
		Total	Sens ‡		Total	Sens ‡		Total	Sens ‡		Total	Sens ‡		Total	Sens ‡		Total	Sens ‡	
213RNA042 - A Outdoor Section With FC4DNF042 Indoor Section																			
1225	72	49.23	25.32	3.00	47.42	24.61	3.30	45.55	23.89	3.63	43.63	23.15	4.01	41.65	22.40	4.42	39.62	21.64	4.88
	67	44.67	31.16	2.96	42.99	30.43	3.26	41.24	29.68	3.59	39.45	28.92	3.96	37.62	28.15	4.37	35.75	27.36	4.82
	63	41.32	30.04	2.93	39.73	29.30	3.23	38.09	28.55	3.56	36.40	27.78	3.93	34.69	27.01	4.33	32.95	26.23	4.78
	62	40.55	36.90	2.93	39.01	36.12	3.22	37.43	35.32	3.55	35.83	34.48	3.92	34.22	33.60	4.33	32.62	32.62	4.78
1400	57	39.14	39.14	2.92	37.92	37.92	3.21	36.64	36.64	3.54	35.33	35.33	3.91	33.99	33.99	4.32	32.61	32.61	4.78
	72	50.21	26.50	3.05	48.33	25.79	3.35	46.39	25.05	3.69	44.39	24.31	4.06	42.33	23.55	4.48	40.23	22.78	4.93
	67	45.57	33.08	3.02	43.81	32.34	3.31	42.00	31.58	3.65	40.14	30.80	4.02	38.24	30.01	4.43	36.31	29.21	4.88
	63	42.18	31.85	2.99	40.52	31.10	3.28	38.81	30.33	3.61	37.07	29.55	3.98	35.29	28.76	4.39	33.49	27.95	4.84
	62	41.51	39.43	2.98	39.94	38.59	3.28	38.34	37.69	3.61	36.72	36.72	3.98	35.27	35.27	4.39	33.81	33.81	4.85
1575	57	40.75	40.75	2.98	39.44	39.44	3.28	38.09	38.09	3.61	36.70	36.70	3.98	35.28	35.28	4.39	33.82	33.82	4.85
	72	50.96	27.62	3.11	49.02	26.89	3.41	47.02	26.16	3.74	44.96	25.40	4.12	42.85	24.63	4.53	40.68	23.85	4.99
	67	46.25	34.91	3.07	44.44	34.15	3.37	42.58	33.38	3.70	40.66	32.59	4.07	38.71	31.78	4.48	36.73	30.96	4.93
	63	42.85	33.58	3.04	41.14	32.81	3.34	39.38	32.02	3.67	37.58	31.22	4.03	35.76	30.40	4.44	33.91	29.58	4.89
	62	42.37	41.66	3.04	40.77	40.77	3.34	39.31	39.31	3.67	37.85	37.85	4.04	36.36	36.36	4.45	34.82	34.82	4.91
57	42.11	42.11	3.04	40.74	40.74	3.33	39.32	39.32	3.67	37.86	37.86	4.04	36.36	36.36	4.45	34.83	34.83	4.91	

Cooling Indoor Model	Capacity	Power	Furnace Model
*FC4DN(F,B)042	1.00	1.00	
FA4CN(F,C)048	1.01	1.03	
FC4DN(F,B)042	1.01	0.99	
FC4DN(F,B)048	1.04	0.97	
FK4DNB006	1.04	0.97	
FK4DNF003	0.98	0.96	
FK4DNF005	1.02	0.96	
CAR**4817A**	1.01	1.03	
CAR**4821A**	1.00	1.02	
CAR**4824A**	1.00	1.02	
CNRH*4821A**	1.00	1.02	
CNRV*4821A**	1.00	1.02	
CNRV*4824A**	1.00	1.02	
CSRH*4812A**	1.01	1.03	
CNRH*4221A**	0.98	0.96	315(A,J)AV036070
CNRH*4821A**	0.99	0.97	315(A,J)AV036070
CSRH*4212A**	0.98	0.96	315(A,J)AV036070
CSRH*4812A**	1.00	0.98	315(A,J)AV036070
CAR**4817A**	1.00	0.98	315(A,J)AV048090
CNRH*4221A**	0.98	0.96	315(A,J)AV048090
CNRH*4821A**	1.00	0.98	315(A,J)AV048090
CSRH*4212A**	0.98	0.96	315(A,J)AV048090
CSRH*4812A**	1.00	0.98	315(A,J)AV048090
CAR**4221A**	0.98	0.96	315(A,J)AV060110
CAR**4821A**	1.00	0.98	315(A,J)AV060110
CNRH*4221A**	0.98	0.93	315(A,J)AV060110
CNRH*4821A**	1.00	0.96	315(A,J)AV060110
CNRV*4221A**	0.98	0.93	315(A,J)AV060110
CNRV*4821A**	1.00	0.96	315(A,J)AV060110
CSRH*4212A**	0.98	0.96	315(A,J)AV060110
CSRH*4812A**	1.00	0.98	315(A,J)AV060110
CAR**4224A**	0.98	0.96	315(A,J)AV066135
CAR**4824A**	1.00	0.96	315(A,J)AV066135
CNRH*4221A**	0.98	0.93	315(A,J)AV066135
CNRH*4821A**	1.00	0.96	315(A,J)AV066135
CNRV*4824A**	1.00	0.96	315(A,J)AV066135
CSRH*4212A**	0.98	0.93	315(A,J)AV066135
CSRH*4812A**	1.00	0.96	315(A,J)AV066135
CAR**4224A**	0.98	0.96	315(A,J)AV066155
CAR**4824A**	1.00	0.96	315(A,J)AV066155
CNRH*4221A**	0.98	0.93	315(A,J)AV066155
CNRH*4821A**	1.00	0.96	315(A,J)AV066155
CNRV*4824A**	1.00	0.96	315(A,J)AV066155
CSRH*4212A**	0.98	0.93	315(A,J)AV066155
CSRH*4812A**	1.00	0.96	315(A,J)AV066155

Cooling Indoor Model	Capacity	Power	Furnace Model
CAR**4224A**	0.96	0.96	355AAV042040
CAR**4824A**	0.99	0.97	355AAV042040
CNRH*4221A**	0.96	0.95	355AAV042040
CNRH*4821A**	0.99	0.97	355AAV042040
CNRV*4824A**	0.99	0.97	355AAV042040
CSRH*4212A**	0.96	0.95	355AAV042040
CSRH*4812A**	1.00	0.98	355AAV042040
CAR**4817A**	1.00	0.98	355AAV042060
CNRH*4221A**	0.96	0.95	355AAV042060
CNRH*4821A**	0.99	0.97	355AAV042060
CSRH*4212A**	0.98	0.96	355AAV042060
CSRH*4812A**	1.00	0.98	355AAV042060
CAR**4221A**	0.96	0.96	355AAV042080
CAR**4821A**	0.99	0.97	355AAV042080
CNRH*4221A**	0.96	0.95	355AAV042080
CNRH*4821A**	0.99	0.97	355AAV042080
CNRV*4221A**	0.96	0.95	355AAV042080
CNRV*4821A**	0.99	0.97	355AAV042080
CSRH*4212A**	0.98	0.96	355AAV042080
CSRH*4812A**	1.00	0.98	355AAV042080
CAR**4221A**	0.98	0.98	355AAV060080
CAR**4821A**	0.99	0.97	355AAV060080
CNRH*4221A**	0.98	0.96	355AAV060080
CNRH*4821A**	0.99	0.97	355AAV060080
CNRV*4221A**	0.98	0.96	355AAV060080
CNRV*4821A**	0.99	0.97	355AAV060080
CSRH*4212A**	0.98	0.96	355AAV060080
CSRH*4812A**	1.00	0.98	355AAV060080
CAR**4221A**	0.98	0.96	355AAV060100
CAR**4821A**	0.99	0.97	355AAV060100
CNRH*4221A**	0.98	0.96	355AAV060100
CNRH*4821A**	0.99	0.97	355AAV060100
CNRV*4221A**	0.98	0.96	355AAV060100
CNRV*4821A**	0.99	0.97	355AAV060100
CSRH*4212A**	0.98	0.96	355AAV060100
CSRH*4812A**	1.00	0.98	355AAV060100
CAR**4224A**	0.98	0.96	355AAV060120
CAR**4824A**	0.99	0.97	355AAV060120
CNRH*4221A**	0.98	0.96	355AAV060120
CNRH*4821A**	0.99	0.97	355AAV060120
CNRV*4824A**	0.99	0.97	355AAV060120
CSRH*4212A**	0.98	0.96	355AAV060120
CSRH*4812A**	1.00	0.98	355AAV060120

See notes on pg. 24

DETAILED COOLING CAPACITIES - CONTINUED

EVAPORATOR AIR		CONDENSER ENTERING AIR TEMPERATURES deg F																	
		75			85			95			105			115			125		
		CFM	EWB	Capacity MBtu/h†		Total System KW**	Capacity MBtu/h†		Total System KW**	Capacity MBtu/h†		Total System KW**	Capacity MBtu/h†		Total System KW**	Capacity MBtu/h†		Total System KW**	
Total	Sens†			Total	Sens†	Total	Sens†	Total	Sens†	Total	Sens†	Total	Sens†	Total	Sens†				
213RNA048-A Outdoor Section With FC4DNF048 Indoor Section																			
1400	72	54.52	28.06	3.28	52.55	27.30	3.65	50.50	26.51	4.06	48.34	25.68	4.51	46.08	24.83	5.01	43.71	23.94	5.55
	67	49.39	34.55	3.25	47.56	33.76	3.62	45.65	32.94	4.03	43.64	32.09	4.47	41.55	31.21	4.97	39.34	30.29	5.50
	63	45.73	33.33	3.23	44.01	32.53	3.59	42.20	31.71	4.00	40.31	30.85	4.45	38.33	29.95	4.93	36.24	29.02	5.46
	62	44.91	41.01	3.22	43.25	40.17	3.59	41.51	39.29	4.00	39.70	38.34	4.44	37.84	37.31	4.93	35.99	35.99	5.45
	57	43.46	43.46	3.22	42.11	42.11	3.58	40.70	40.70	3.99	39.21	39.21	4.44	37.64	37.64	4.93	35.99	35.99	5.45
1600	72	55.63	29.41	3.34	53.59	28.64	3.71	51.45	27.83	4.12	49.21	27.00	4.58	46.87	26.13	5.07	44.41	25.23	5.61
	67	50.39	36.73	3.31	48.49	35.93	3.68	46.50	35.09	4.09	44.42	34.22	4.54	42.25	33.32	5.03	39.98	32.39	5.56
	63	46.66	35.37	3.29	44.88	34.56	3.65	43.00	33.71	4.06	41.04	32.84	4.51	38.99	31.92	4.99	36.84	30.97	5.52
	62	45.97	43.87	3.28	44.27	42.96	3.65	42.52	41.96	4.06	40.75	40.75	4.51	39.08	39.08	5.00	37.34	37.34	5.53
	57	45.23	45.23	3.28	43.81	43.81	3.65	42.32	42.32	4.06	40.74	40.74	4.51	39.09	39.09	5.00	37.34	37.34	5.53
1800	72	56.49	30.69	3.40	54.38	29.90	3.77	52.18	29.09	4.18	49.87	28.24	4.64	47.46	27.37	5.13	44.93	26.46	5.67
	67	51.16	38.81	3.37	49.20	37.99	3.74	47.15	37.14	4.15	45.02	36.26	4.60	42.79	35.34	5.09	40.46	34.37	5.62
	63	47.39	37.31	3.35	45.54	36.48	3.71	43.61	35.62	4.12	41.60	34.72	4.57	39.50	33.79	5.05	37.30	32.81	5.58
	62	46.92	46.37	3.34	45.24	45.24	3.71	43.67	43.67	4.12	42.02	42.02	4.57	40.29	40.29	5.06	38.46	38.46	5.60
	57	46.72	46.72	3.34	45.23	45.23	3.71	43.67	43.67	4.12	42.02	42.02	4.57	40.29	40.29	5.06	38.47	38.47	5.60

Cooling Indoor Model	Capacity	Power	Furnace Model
*FC4DN(F,B)048	1.00	1.00	
FC4DN(F,B)048	1.00	1.00	
FC4DN(F,B)060	1.02	1.00	
FK4DNB006	1.01	0.97	
FK4DNF005	0.99	0.97	
CAR**4817A**	0.94	0.95	315(A,J)AV048090
CNRH*4821A**	0.97	0.99	315(A,J)AV048090
CNRH*6024A**	0.98	0.98	315(A,J)AV048090
CSRH*4812A**	0.97	0.99	315(A,J)AV048090
CSRH*6012A**	0.99	0.97	315(A,J)AV048090
CAR**4821A**	0.96	0.97	315(A,J)AV060110
CAR**6021A**	0.99	0.97	315(A,J)AV060110
CNRH*4821A**	0.97	0.97	315(A,J)AV060110
CNRH*6024A**	0.99	0.97	315(A,J)AV060110
CNRV*4821A**	0.96	0.96	315(A,J)AV060110
CSRH*4812A**	0.96	0.96	315(A,J)AV060110
CSRH*6012A**	0.99	0.97	315(A,J)AV060110
CAR**4824A**	0.97	0.97	315(A,J)AV066135
CAR**6024A**	0.99	0.97	315(A,J)AV066135
CNRH*4821A**	0.97	0.97	315(A,J)AV066135
CNRH*6024A**	0.99	0.97	315(A,J)AV066135
CNRV*4824A**	0.97	0.97	315(A,J)AV066135
CNRV*6024A**	0.99	0.97	315(A,J)AV066135
CSRH*4812A**	0.96	0.96	315(A,J)AV066135
CSRH*6012A**	0.99	0.97	315(A,J)AV066135
CAR**4824A**	0.97	0.97	315(A,J)AV066155
CAR**6024A**	0.99	0.97	315(A,J)AV066155
CNRH*4821A**	0.97	0.95	315(A,J)AV066155
CNRH*6024A**	0.99	0.97	315(A,J)AV066155
CNRV*4824A**	0.97	0.95	315(A,J)AV066155
CNRV*6024A**	0.99	0.97	315(A,J)AV066155
CSRH*4812A**	0.97	0.95	315(A,J)AV066155
CSRH*6012A**	0.99	0.97	315(A,J)AV066155
CAR**4821A**	0.96	0.97	355AAV060080
CAR**6021A**	0.98	0.98	355AAV060080
CNRH*4821A**	0.96	0.97	355AAV060080
CNRH*6024A**	0.98	0.98	355AAV060080
CNRV*4821A**	0.96	0.97	355AAV060080
CSRH*4812A**	0.96	0.97	355AAV060080
CSRH*6012A**	0.98	0.98	355AAV060080
CAR**4821A**	0.96	0.97	355AAV060100
CAR**6021A**	0.99	0.99	355AAV060100
CNRH*4821A**	0.96	0.97	355AAV060100
CNRH*6024A**	0.98	0.98	355AAV060100
CNRV*4821A**	0.96	0.97	355AAV060100
CSRH*4812A**	0.96	0.97	355AAV060100
CSRH*6012A**	0.99	0.99	355AAV060100
CAR**4824A**	0.96	0.97	355AAV060120
CAR**6024A**	0.98	0.98	355AAV060120
CNRH*4821A**	0.96	0.97	355AAV060120
CNRH*6024A**	0.98	0.98	355AAV060120
CNRV*4824A**	0.96	0.97	355AAV060120
CNRV*6024A**	0.98	0.98	355AAV060120
CSRH*4812A**	0.96	0.97	355AAV060120
CSRH*6012A**	0.99	0.97	355AAV060120

See notes on pg. 24

DETAILED COOLING CAPACITIES - CONTINUED

EVAPORATOR AIR		CONDENSER ENTERING AIR TEMPERATURES deg F																	
CFM	EWB	75			85			95			105			115			125		
		Capacity MBtu/h†		Total System KW**	Capacity MBtu/h†		Total System KW**	Capacity MBtu/h†		Total System KW**	Capacity MBtu/h†		Total System KW**	Capacity MBtu/h†		Total System KW**	Capacity MBtu/h†		Total System KW**
		Total	Sens ‡		Total	Sens ‡		Total	Sens ‡		Total	Sens ‡		Total	Sens ‡		Total	Sens ‡	
213RNA060 – A Outdoor Section With FC4DNF060 Indoor Section																			
1750	72	69.61	35.82	4.46	67.00	34.80	4.88	64.31	33.76	5.34	61.53	32.71	5.85	58.62	31.62	6.41	55.59	30.48	7.02
	67	63.45	44.44	4.39	61.04	43.40	4.81	58.55	42.34	5.27	55.98	41.25	5.78	53.30	40.13	6.33	50.49	38.96	6.93
	63	58.99	42.98	4.34	56.74	41.94	4.76	54.40	40.87	5.21	51.98	39.77	5.72	49.46	38.64	6.27	46.83	37.46	6.87
	62	57.89	52.98	4.33	55.72	51.90	4.74	53.47	50.76	5.20	51.16	49.56	5.71	48.78	48.25	6.26	46.47	46.47	6.87
2000	57	56.07	56.07	4.31	54.33	54.33	4.73	52.50	52.50	5.19	50.59	50.59	5.70	48.58	48.58	6.26	46.47	46.47	6.87
	72	70.84	37.47	4.56	68.11	36.44	4.98	65.32	35.40	5.44	62.44	34.33	5.95	59.43	33.22	6.51	56.30	32.08	7.12
	67	64.59	47.19	4.49	62.08	46.14	4.91	59.50	45.06	5.36	56.84	43.96	5.87	54.05	42.81	6.43	51.16	41.61	7.03
	63	60.09	45.56	4.44	57.75	44.51	4.85	55.31	43.42	5.31	52.80	42.30	5.82	50.19	41.14	6.37	47.48	39.94	6.97
2250	62	59.16	56.66	4.43	56.93	55.47	4.84	54.66	54.15	5.30	52.43	52.43	5.81	50.30	50.30	6.37	48.06	48.06	6.98
	57	58.28	58.28	4.42	56.43	56.43	4.84	54.48	54.48	5.30	52.44	52.44	5.81	50.31	50.31	6.37	48.06	48.06	6.98
	72	71.75	39.04	4.66	68.93	38.00	5.07	66.06	36.95	5.53	63.10	35.87	6.05	60.01	34.75	6.61	56.79	33.60	7.21
	67	65.44	49.83	4.58	62.86	48.76	5.00	60.20	47.66	5.46	57.46	46.53	5.97	54.61	45.35	6.52	51.65	44.13	7.13
2250	63	60.91	48.02	4.53	58.49	46.94	4.95	55.99	45.83	5.40	53.41	44.69	5.91	50.74	43.50	6.46	47.96	42.27	7.06
	62	60.29	59.79	4.53	58.14	58.14	4.94	56.08	56.08	5.41	53.95	53.95	5.92	51.71	51.71	6.48	49.36	49.36	7.09
	57	60.11	60.11	4.53	58.14	58.14	4.94	56.09	56.09	5.41	53.95	53.95	5.92	51.72	51.72	6.48	49.36	49.36	7.09

Cooling Indoor Model	Capacity	Power	Furnace Model
*FC4DN(FB)060	1.00	1.00	
FK4DNB006	0.98	0.97	
CAR**6024A**	0.97	0.97	315(A,J)AV066135
CSRH*6012A**	0.97	0.97	315(A,J)AV066135
CAR**6024A**	0.97	0.97	315(A,J)AV066155
CNRH*6024A**	0.97	0.97	315(A,J)AV066155
CNRV*6024A**	0.97	0.97	315(A,J)AV066155
CSRH*6012A**	0.97	0.97	315(A,J)AV066155

NOTE: When the required data falls between the published data, interpolation may be performed. Extrapolation is not an acceptable practice.

* Detailed cooling capacities are based on indoor and outdoor unit at the same elevation per ARI standard 210/240–94. If additional tubing length and/or indoor unit is located above outdoor unit, a slight variation in capacity may occur.

† Total and sensible capacities are net capacities. Blower motor heat has been subtracted.

‡ Sensible capacities shown are based on 80°F (27°C) entering air at the indoor coil. For sensible capacities at other than 80°F (27°C), deduct 835 Btu/h (245 kW) per 1000 CFM (480 L/S) of indoor coil air for each degree below 80°F (27°C), or add 835 Btu/h (245 kW) per 1000 CFM (480 L/S) of indoor coil air per degree above 80°F (27°C).

** System kw is total of indoor and outdoor unit kilowatts.

†† At TVA rating indoor condition (75°F edb/63°F ewb). All other indoor air temperatures are at 80°F edb.

EWB — Entering Wet Bulb

HEAT PUMP HEATING PERFORMANCE

INDOOR AIR		OUTDOOR COIL ENTERING AIR TEMPERATURES deg F																							
		-3			7			17			27			37			47			57			67		
		Capacity MBtuh	Total Sys-tem KW†	In-teg*	Capacity MBtuh	Total Sys-tem KW†	In-teg*	Capacity MBtuh	Total Sys-tem KW†	In-teg*	Capacity MBtuh	Total Sys-tem KW†	In-teg*	Capacity MBtuh	Total Sys-tem KW†	In-teg*	Capacity MBtuh	Total Sys-tem KW†	In-teg*	Capacity MBtuh	Total Sys-tem KW†	In-teg*	Capacity MBtuh	Total Sys-tem KW†	In-teg*
213RNA018-A Outdoor Section With FA4CNF018 Indoor Section																									
65	525	9.66	8.89	1.25	12.20	11.21	1.31	15.14	13.80	1.38	17.80	15.81	1.44	18.43	16.77	1.46	17.95	17.95	1.44	17.03	17.03	1.42	15.87	15.87	1.38
	600	9.85	9.06	1.27	12.42	11.41	1.32	15.39	14.04	1.38	17.70	15.72	1.43	17.72	16.12	1.43	17.05	17.05	1.41	16.00	16.00	1.39	14.42	14.42	1.35
	675	10.02	9.22	1.29	12.62	11.60	1.33	15.62	14.24	1.39	17.60	15.63	1.43	17.01	15.48	1.42	16.40	16.40	1.41	15.20	15.20	1.38	13.52	13.52	1.35
70	525	9.43	8.68	1.31	11.94	10.97	1.37	14.84	13.53	1.44	17.79	15.80	1.52	19.11	17.39	1.56	18.81	18.81	1.54	18.21	18.21	1.52	17.62	17.62	1.50
	600	9.62	8.85	1.33	12.15	11.17	1.38	15.10	13.77	1.45	17.82	15.83	1.51	18.44	16.78	1.52	18.00	18.00	1.51	17.34	17.34	1.49	16.32	16.32	1.47
	675	9.79	9.01	1.35	12.35	11.35	1.40	15.32	13.97	1.46	17.80	15.81	1.51	17.96	16.34	1.51	17.40	17.40	1.50	16.62	16.62	1.48	15.45	15.45	1.45
75	525	9.19	8.45	1.37	11.68	10.73	1.44	14.53	13.25	1.51	17.67	15.70	1.60	19.47	17.72	1.65	19.53	19.53	1.65	19.14	19.14	1.63	18.57	18.57	1.61
	600	9.38	8.63	1.39	11.89	10.93	1.45	14.78	13.48	1.51	17.81	15.81	1.59	19.06	17.34	1.62	18.78	18.78	1.61	18.15	18.15	1.59	17.76	17.76	1.58
	675	9.55	8.79	1.41	12.08	11.10	1.46	15.00	13.68	1.52	17.87	15.87	1.59	18.61	16.94	1.61	18.22	18.22	1.59	17.74	17.74	1.58	16.92	16.92	1.56

Heating Indoor Model	Capacity	Power	Furnace Model
*FA4CN(FC)018	1.00	1.00	
FC4DNF018	0.97	0.90	
FC4DNF024	0.86	0.84	
FF1ENE018	1.00	1.00	
FF1ENE024	0.87	0.92	
FK4DNF001	0.81	0.82	
FK4DNF002	0.81	0.80	
CAR**1814A**	1.01	1.03	
CAR**2414A**	0.87	0.92	
CAR**2417A**	0.87	0.92	
CNRF*2418A**	0.87	0.89	
CNRH*2417A**	0.87	0.89	
CNRV*1814A**	0.96	0.96	
CNRV*2414A**	0.87	0.89	
CNRV*2417A**	0.87	0.89	
CSRH*2412A**	0.82	0.89	
CAR**1814A**	1.00	0.95	315(A,J)AV036070
CAR**2414A**	0.87	0.83	315(A,J)AV036070
CNRH*2417A**	0.87	0.80	315(A,J)AV036070
CNRV*1814A**	0.95	0.86	315(A,J)AV036070
CNRV*2414A**	0.87	0.80	315(A,J)AV036070
CSRH*2412A**	0.82	0.80	315(A,J)AV036070
CAR**2417A**	0.87	0.83	315(A,J)AV048090
CNRH*2417A**	0.87	0.80	315(A,J)AV048090
CNRV*2417A**	0.87	0.80	315(A,J)AV048090
CSRH*2412A**	0.82	0.80	315(A,J)AV048090
CNRH*2417A**	0.87	0.80	355AAV042040
CSRH*2412A**	0.82	0.80	355AAV042040
CAR**2417A**	0.87	0.83	355AAV042060
CNRH*2417A**	0.87	0.80	355AAV042060
CNRV*2417A**	0.87	0.80	355AAV042060
CSRH*2412A**	0.82	0.80	355AAV042060
CNRH*2417A**	0.87	0.80	355AAV042080
CSRH*2412A**	0.82	0.80	355AAV042080

See notes on pg. 31

213R

HEAT PUMP HEATING PERFORMANCE - CONTINUED

INDOOR AIR		OUTDOOR COIL ENTERING AIR TEMPERATURES deg F																							
		-3			7			17			27			37			47			57			67		
		Capacity MBtuh	Total System KW†	In-teg*	Capacity MBtuh	Total System KW†	In-teg*	Capacity MBtuh	Total System KW†	In-teg*	Capacity MBtuh	Total System KW†	In-teg*	Capacity MBtuh	Total System KW†	In-teg*	Capacity MBtuh	Total System KW†	In-teg*	Capacity MBtuh	Total System KW†	In-teg*			
213RNA024—A Outdoor Section With FA4CNC024 Indoor Section																									
65	700	9.96	9.16	1.51	12.42	11.42	1.58	15.20	13.86	1.66	18.29	16.24	1.75	21.61	19.66	1.85	24.08	24.08	1.94	26.42	26.42	2.02	26.97	26.97	2.04
	800	10.14	9.33	1.53	12.62	11.60	1.59	15.43	14.07	1.66	18.54	16.47	1.75	21.54	19.60	1.83	23.60	23.60	1.90	24.52	24.52	1.93	23.37	23.37	1.88
	900	10.31	9.48	1.56	12.80	11.77	1.61	15.63	14.25	1.67	18.77	16.67	1.76	21.32	19.40	1.82	23.08	23.08	1.88	22.88	22.88	1.87	22.24	22.24	1.85
70	700	9.70	8.92	1.58	12.19	11.20	1.65	14.92	13.61	1.73	18.01	16.00	1.83	21.41	19.49	1.96	24.16	24.16	2.04	26.65	26.65	2.13	28.10	28.10	2.19
	800	9.88	9.09	1.60	12.38	11.38	1.67	15.15	13.82	1.74	18.26	16.22	1.83	21.54	19.60	1.92	23.80	23.80	2.00	25.64	25.64	2.06	25.56	25.56	2.05
	900	10.05	9.25	1.62	12.56	11.54	1.68	15.36	14.00	1.75	18.48	16.42	1.84	21.47	19.53	1.92	23.41	23.41	1.98	24.03	24.03	2.00	23.70	23.70	1.98
75	700	9.40	8.65	1.64	11.93	10.96	1.73	14.65	13.35	1.81	17.71	15.73	1.92	21.10	19.20	2.04	24.24	24.24	2.15	26.78	26.78	2.25	29.06	29.06	2.34
	800	9.59	8.82	1.66	12.13	11.15	1.74	14.88	13.56	1.82	17.96	15.95	1.91	21.36	19.43	2.02	23.92	23.92	2.10	26.17	26.17	2.19	26.68	26.68	2.20
	900	9.76	8.98	1.69	12.31	11.31	1.76	15.08	13.75	1.83	18.18	16.15	1.92	21.48	19.54	2.01	23.62	23.62	2.08	25.00	25.00	2.13	24.91	24.91	2.12

Heating Indoor Model	Capacity	Power	Furnace Model
*FA4CN(F,C)024	1.00	1.00	
FA4CN(F,C)030	0.95	0.97	
FC4DNF024	0.98	0.93	
FC4DNF030	0.93	0.90	
FF1ENE030	0.99	0.99	
FK4DNF001	0.95	0.92	
FK4DNF002	0.95	0.88	
FK4DNF003	0.87	0.86	
CAR**2414A**	1.00	0.99	
CAR**2417A**	1.00	0.99	
CAR**3014A**	0.87	0.93	
CAR**3017A**	0.87	0.93	
CNRF*2418A**	1.00	0.96	
CNRH*2417A**	1.00	0.96	
CNRH*3017A**	0.87	0.93	
CNRV*2414A**	1.00	0.96	
CNRV*2417A**	1.00	0.96	
CNRV*3014A**	0.87	0.93	
CNRV*3017A**	0.87	0.93	
CSRH*2412A**	0.97	0.96	
CSRH*3012A**	0.85	0.92	
CAR**2414A**	1.00	0.95	315(A,J)AV036070
CAR**3014A**	0.92	0.91	315(A,J)AV036070
CNRH*2417A**	0.99	0.92	315(A,J)AV036070
CNRH*3017A**	0.87	0.85	315(A,J)AV036070
CNRV*2414A**	1.00	0.92	315(A,J)AV036070
CNRV*3014A**	0.87	0.85	315(A,J)AV036070
CSRH*2412A**	0.97	0.91	315(A,J)AV036070
CSRH*3012A**	0.85	0.84	315(A,J)AV036070
CAR**2417A**	0.99	0.93	315(A,J)AV048090
CAR**3017A**	0.87	0.85	315(A,J)AV048090
CNRH*2417A**	0.99	0.91	315(A,J)AV048090
CNRH*3017A**	0.87	0.84	315(A,J)AV048090
CNRV*2417A**	0.99	0.91	315(A,J)AV048090
CNRV*3017A**	0.87	0.84	315(A,J)AV048090
CSRH*2412A**	0.97	0.90	315(A,J)AV048090
CSRH*3012A**	0.85	0.83	315(A,J)AV048090
CNRH*2417A**	0.99	0.91	315(A,J)AV060110
CNRH*3017A**	0.87	0.84	315(A,J)AV060110
CSRH*2412A**	0.97	0.91	315(A,J)AV060110
CSRH*3012A**	0.85	0.84	315(A,J)AV060110
CNRH*2417A**	0.99	0.91	315(A,J)AV066135
CNRH*3017A**	0.87	0.84	315(A,J)AV066135
CSRH*2412A**	0.97	0.91	315(A,J)AV066135
CSRH*3012A**	0.85	0.83	315(A,J)AV066135
CNRH*2417A**	0.99	0.91	315(A,J)AV066155
CNRH*3017A**	0.87	0.84	315(A,J)AV066155
CSRH*2412A**	0.97	0.91	315(A,J)AV066155
CSRH*3012A**	0.85	0.83	315(A,J)AV066155

Heating Indoor Model	Capacity	Power	Furnace Model
CNRH*2417A**	0.99	0.91	355AAV042040
CNRH*3017A**	0.87	0.85	355AAV042040
CSRH*2412A**	0.97	0.91	355AAV042040
CSRH*3012A**	0.85	0.84	355AAV042040
CAR**2417A**	0.99	0.93	355AAV042060
CAR**3017A**	0.87	0.85	355AAV042060
CNRH*2417A**	0.99	0.91	355AAV042060
CNRH*3017A**	0.87	0.85	355AAV042060
CNRV*2417A**	0.99	0.91	355AAV042060
CNRV*3017A**	0.87	0.85	355AAV042060
CSRH*2412A**	0.97	0.91	355AAV042060
CSRH*3012A**	0.85	0.83	355AAV042060
CNRH*2417A**	0.99	0.91	355AAV042080
CNRH*3017A**	0.87	0.85	355AAV042080
CSRH*2412A**	0.97	0.91	355AAV042080
CSRH*3012A**	0.85	0.84	355AAV042080
CNRH*2417A**	0.99	0.91	355AAV060080
CNRH*3017A**	0.87	0.85	355AAV060080
CSRH*2412A**	0.97	0.91	355AAV060080
CSRH*3012A**	0.85	0.91	355AAV060100
CNRH*3017A**	0.87	0.84	355AAV060100
CSRH*2412A**	0.97	0.91	355AAV060100
CSRH*3012A**	0.85	0.84	355AAV060100
CNRH*2417A**	0.99	0.92	355AAV060120
CNRH*3017A**	0.87	0.85	355AAV060120
CSRH*2412A**	0.97	0.91	355AAV060120
CSRH*3012A**	0.85	0.84	355AAV060120

See notes on pg. 31

HEAT PUMP HEATING PERFORMANCE - CONTINUED

INDOOR AIR		OUTDOOR COIL ENTERING AIR TEMPERATURES deg F																							
		-3			7			17			27			37			47			57			67		
		Capacity MBtuh		Total Sys-tem KW†	Capacity MBtuh		Total Sys-tem KW†	Capacity MBtuh		Total Sys-tem KW†	Capacity MBtuh		Total Sys-tem KW†	Capacity MBtuh		Total Sys-tem KW†	Capacity MBtuh		Total Sys-tem KW†	Capacity MBtuh		Total Sys-tem KW†	Capacity MBtuh		Total Sys-tem KW†
EDB	CFM	Total	In-teg*	Total	In-teg*	Total	In-teg*	Total	In-teg*	Total	In-teg*	Total	In-teg*	Total	In-teg*	Total	In-teg*	Total	In-teg*	Total	In-teg*	Total	In-teg*		
213RNA030 - A Outdoor Section With FA4CNF030 Indoor Section																									
65	875	12.29	11.31	1.99	15.26	14.02	2.07	18.47	16.84	2.15	22.03	19.57	2.25	26.00	23.66	2.38	30.08	30.08	2.50	33.89	33.89	2.61	38.13	38.13	2.78
	1000	12.52	11.51	2.02	15.50	14.24	2.09	18.74	17.09	2.15	22.33	19.84	2.25	26.35	23.98	2.37	30.08	30.08	2.44	33.69	33.69	2.56	36.45	36.45	2.65
	1125	12.72	11.70	2.05	15.69	14.42	2.11	18.98	17.30	2.17	22.60	20.07	2.26	26.64	24.24	2.37	29.95	29.95	2.42	33.52	33.52	2.53	34.52	34.52	2.56
70	875	11.96	11.00	2.08	14.96	13.75	2.17	18.17	16.57	2.25	21.71	19.28	2.36	25.65	23.34	2.50	29.88	29.88	2.64	33.78	33.78	2.75	37.90	37.90	2.92
	1000	12.18	11.21	2.10	15.20	13.97	2.18	18.43	16.80	2.26	22.01	19.55	2.35	25.99	23.65	2.48	30.00	30.00	2.58	33.60	33.60	2.69	37.40	37.40	2.83
	1125	12.39	11.40	2.13	15.42	14.17	2.20	18.66	17.01	2.27	22.27	19.78	2.36	26.28	23.92	2.47	29.96	29.96	2.55	33.48	33.48	2.66	35.74	35.74	2.73
75	875	11.60	10.67	2.16	14.65	13.46	2.26	17.88	16.30	2.36	21.38	18.99	2.47	25.30	23.02	2.61	29.59	29.59	2.78	33.66	33.66	2.89	37.69	37.69	3.06
	1000	11.82	10.88	2.18	14.89	13.68	2.28	18.14	16.54	2.36	21.69	19.26	2.46	25.64	23.33	2.59	29.79	29.79	2.72	33.58	33.58	2.83	37.52	37.52	2.98
	1125	12.03	11.07	2.21	15.11	13.88	2.30	18.37	16.75	2.37	21.94	19.49	2.47	25.93	23.59	2.59	29.91	29.91	2.68	33.41	33.41	2.79	36.71	36.71	2.91

Heating Indoor Model	Capacity	Power	Furnace Model
*FA4CN(FC)030	1.00	1.00	
FC4DN(FB)036	0.96	0.92	
FC4DNF030	0.99	0.95	
FF1ENE030	0.99	1.00	
FF1ENE036	0.97	0.98	
FK4DNF001	0.98	0.97	
FK4DNF002	0.99	0.93	
FK4DNF003	0.96	0.92	
FK4DNF005	0.83	0.82	
CAR**3014A**	0.98	0.98	
CAR**3017A**	0.98	0.99	
CAR**3614A**	0.97	0.98	
CAR**3617A**	0.97	0.98	
CAR**3621A**	0.97	0.98	
CNRH*3618A**	0.98	0.98	
CNRH*3017A**	0.98	0.98	
CNRH*3617A**	0.97	0.98	
CNRV*3014A**	0.98	0.98	
CNRV*3017A**	0.98	0.98	
CNRV*3617A**	0.97	0.97	
CNRV*3621A**	0.97	0.97	
CSRH*3012A**	0.98	0.98	
CSRH*3612A**	0.96	0.95	
CAR**3014A**	0.97	0.95	315(A,J)AV036070
CAR**3614A**	0.97	0.94	315(A,J)AV036070
CNRH*3017A**	0.97	0.95	315(A,J)AV036070
CNRH*3617A**	0.96	0.94	315(A,J)AV036070
CNRV*3014A**	0.97	0.95	315(A,J)AV036070
CSRH*3012A**	0.97	0.94	315(A,J)AV036070
CSRH*3612A**	0.95	0.91	315(A,J)AV036070
CAR**3017A**	0.97	0.94	315(A,J)AV048090
CAR**3617A**	0.96	0.93	315(A,J)AV048090
CNRH*3017A**	0.97	0.94	315(A,J)AV048090
CNRH*3617A**	0.96	0.93	315(A,J)AV048090
CNRV*3017A**	0.97	0.94	315(A,J)AV048090
CNRV*3617A**	0.96	0.93	315(A,J)AV048090
CSRH*3012A**	0.97	0.94	315(A,J)AV048090
CSRH*3612A**	0.95	0.90	315(A,J)AV048090
CAR**3621A**	0.96	0.92	315(A,J)AV060110
CNRH*3017A**	0.97	0.94	315(A,J)AV060110
CNRH*3617A**	0.96	0.93	315(A,J)AV060110
CNRV*3621A**	0.96	0.93	315(A,J)AV060110
CSRH*3012A**	0.97	0.94	315(A,J)AV060110
CSRH*3612A**	0.95	0.90	315(A,J)AV060110
CNRH*3017A**	0.97	0.94	315(A,J)AV066135
CNRH*3617A**	0.96	0.93	315(A,J)AV066135
CSRH*3012A**	0.97	0.93	315(A,J)AV066135
CSRH*3612A**	0.95	0.89	315(A,J)AV066135
CNRH*3017A**	0.97	0.93	315(A,J)AV066155
CNRH*3617A**	0.96	0.93	315(A,J)AV066155
CSRH*3012A**	0.97	0.93	315(A,J)AV066155
CSRH*3612A**	0.95	0.89	315(A,J)AV066155

Heating Indoor Model	Capacity	Power	Furnace Model
CNRH*3017A**	0.97	0.95	355AAV042040
CNRH*3617A**	0.96	0.94	355AAV042040
CSRH*3012A**	0.97	0.95	355AAV042040
CSRH*3612A**	0.95	0.91	355AAV042040
CAR**3017A**	0.97	0.95	355AAV042060
CAR**3617A**	0.96	0.93	355AAV042060
CNRH*3017A**	0.97	0.95	355AAV042060
CNRH*3617A**	0.96	0.94	355AAV042060
CNRV*3017A**	0.97	0.95	355AAV042060
CNRV*3617A**	0.96	0.94	355AAV042060
CSRH*3012A**	0.97	0.94	355AAV042060
CSRH*3612A**	0.95	0.91	355AAV042060
CAR**3621A**	0.96	0.93	355AAV042080
CNRH*3017A**	0.97	0.94	355AAV042080
CNRH*3617A**	0.96	0.94	355AAV042080
CNRV*3017A**	0.96	0.94	355AAV042080
CSRH*3012A**	0.97	0.94	355AAV042080
CSRH*3612A**	0.95	0.91	355AAV042080
CAR**3621A**	0.96	0.93	355AAV060080
CNRH*3017A**	0.97	0.94	355AAV060080
CNRH*3617A**	0.96	0.94	355AAV060080
CNRV*3621A**	0.96	0.94	355AAV060080
CSRH*3012A**	0.97	0.94	355AAV060080
CSRH*3612A**	0.95	0.90	355AAV060080
CNRH*3017A**	0.97	0.94	355AAV060100
CNRH*3617A**	0.96	0.93	355AAV060100
CNRV*3621A**	0.96	0.93	355AAV060100
CSRH*3012A**	0.97	0.94	355AAV060100
CSRH*3612A**	0.95	0.90	355AAV060100
CNRH*3017A**	0.97	0.94	355AAV060120
CNRH*3617A**	0.96	0.94	355AAV060120
CSRH*3012A**	0.97	0.94	355AAV060120
CSRH*3612A**	0.95	0.91	355AAV060120

See notes on pg. 31

HEAT PUMP HEATING PERFORMANCE - CONTINUED

INDOOR AIR		OUTDOOR COIL ENTERING AIR TEMPERATURES deg F																							
		-3			7			17			27			37			47			57			67		
		Capacity MBtuh		Total Sys-tem KW†	Capacity MBtuh		Total Sys-tem KW†	Capacity MBtuh		Total Sys-tem KW†	Capacity MBtuh		Total Sys-tem KW†	Capacity MBtuh		Total Sys-tem KW†	Capacity MBtuh		Total Sys-tem KW†	Capacity MBtuh		Total Sys-tem KW†	Capacity MBtuh		Total Sys-tem KW†
EDB	CFM	Total	In-teg*	Total	In-teg*	Total	In-teg*	Total	In-teg*	Total	In-teg*	Total	In-teg*	Total	In-teg*	Total	In-teg*	Total	In-teg*	Total	In-teg*	Total	In-teg*		
213RNA036 - A Outdoor Section With FC4DNF036 Indoor Section																									
65	1050	14.65	13.48	2.24	18.17	16.70	2.34	22.00	20.06	2.45	26.27	23.33	2.59	31.04	28.25	2.77	35.48	35.48	2.89	39.50	39.50	3.04	43.82	43.82	3.21
	1200	14.85	13.66	2.25	18.38	16.89	2.34	22.25	20.29	2.44	26.56	23.59	2.57	31.27	28.45	2.73	35.09	35.09	2.82	38.97	38.97	2.96	41.96	41.96	3.06
	1350	15.02	13.82	2.27	18.57	17.06	2.35	22.47	20.48	2.44	26.83	23.83	2.57	31.26	28.45	2.69	34.70	34.70	2.78	38.35	38.35	2.90	39.33	39.33	2.93
70	1050	14.28	13.13	2.33	17.84	16.39	2.45	21.66	19.75	2.56	25.90	23.00	2.71	30.63	27.87	2.89	35.40	35.40	3.04	39.43	39.43	3.19	43.93	43.93	3.38
	1200	14.48	13.32	2.34	18.05	16.59	2.45	21.90	19.97	2.55	26.18	23.25	2.69	30.95	28.16	2.86	35.20	35.20	2.97	39.03	39.03	3.10	43.12	43.12	3.26
	1350	14.66	13.48	2.36	18.24	16.76	2.46	22.12	20.17	2.55	26.43	23.47	2.68	31.08	28.29	2.83	34.83	34.83	2.92	38.53	38.53	3.05	40.75	40.75	3.12
75	1050	13.88	12.77	2.43	17.49	16.07	2.55	21.33	19.45	2.68	25.51	22.66	2.83	30.21	27.49	3.02	35.16	35.16	3.20	39.39	39.39	3.35	43.91	43.91	3.55
	1200	14.08	12.96	2.44	17.71	16.27	2.55	21.57	19.67	2.67	25.80	22.91	2.81	30.55	27.80	2.98	35.20	35.20	3.12	39.02	39.02	3.26	43.25	43.25	3.43
	1350	14.27	13.13	2.46	17.90	16.45	2.56	21.78	19.86	2.67	26.05	23.13	2.80	30.82	28.05	2.97	34.87	34.87	3.07	43.01	43.01	3.17	42.03	42.03	3.33

Heating Indoor Model	Capacity	Power	Furnace Model
*FC4DN(F,B)036	1.00	1.00	
FC4DN(F,B)042	0.97	0.95	
FK4DNF002	1.03	1.03	
FK4DNF003	1.01	1.00	
FK4DNF005	0.87	0.89	
CAR**3614A**	0.98	1.00	315(A,J)AV036070
CNRH**3617A**	1.00	1.03	315(A,J)AV036070
CNRH**4221A**	1.00	1.00	315(A,J)AV036070
CSRH**3612A**	0.99	0.99	315(A,J)AV036070
CSRH**4212A**	0.98	0.97	315(A,J)AV036070
CAR**3617A**	1.00	1.01	315(A,J)AV048090
CNRH**3617A**	1.00	1.02	315(A,J)AV048090
CNRH**4221A**	0.99	0.98	315(A,J)AV048090
CNRV**3617A**	1.00	1.02	315(A,J)AV048090
CSRH**3612A**	0.99	0.97	315(A,J)AV048090
CSRH**4212A**	0.98	0.96	315(A,J)AV048090
CAR**3621A**	1.00	1.01	315(A,J)AV060110
CAR**4221A**	0.99	0.99	315(A,J)AV060110
CNRH**3617A**	1.00	1.02	315(A,J)AV060110
CNRH**4221A**	0.99	0.97	315(A,J)AV060110
CNRV**3621A**	1.01	1.02	315(A,J)AV060110
CNRV**4221A**	0.99	0.97	315(A,J)AV060110
CSRH**3612A**	0.98	0.97	315(A,J)AV060110
CSRH**4212A**	0.97	0.95	315(A,J)AV060110
CAR**4224A**	0.99	0.98	315(A,J)AV066135
CNRH**3617A**	1.00	1.02	315(A,J)AV066135
CNRH**4221A**	0.99	0.97	315(A,J)AV066135
CSRH**3612A**	0.98	0.97	315(A,J)AV066135
CSRH**4212A**	0.97	0.95	315(A,J)AV066135
CAR**4224A**	0.99	0.97	315(A,J)AV066155
CNRH**3617A**	1.00	1.01	315(A,J)AV066155
CNRH**4221A**	0.99	0.96	315(A,J)AV066155
CSRH**3612A**	0.98	0.96	315(A,J)AV066155
CSRH**4212A**	0.97	0.94	315(A,J)AV066155
CAR**4224A**	1.00	1.01	355AAV042040
CNRH**3617A**	1.01	1.04	355AAV042040
CNRH**4221A**	1.00	1.00	355AAV042040
CSRH**3612A**	0.99	0.99	355AAV042040
CSRH**4212A**	0.98	0.98	355AAV042040
CAR**3617A**	1.01	1.02	355AAV042060
CNRH**3617A**	1.01	1.03	355AAV042060
CNRH**4221A**	0.99	0.99	355AAV042060
CNRV**3617A**	1.01	1.03	355AAV042060
CSRH**3612A**	0.99	0.98	355AAV042060
CSRH**4212A**	0.98	0.96	355AAV042060

Heating Indoor Model	Capacity	Power	Furnace Model
CAR**3621A**	1.01	1.03	355AAV042080
CAR**4221A**	1.00	1.01	355AAV042080
CNRH**3617A**	1.01	1.05	355AAV042080
CNRH**4221A**	1.00	1.00	355AAV042080
CNRV**3621A**	1.01	1.04	355AAV042080
CNRV**4221A**	1.00	1.00	355AAV042080
CSRH**3612A**	0.99	1.00	355AAV042080
CSRH**4212A**	0.98	0.98	355AAV042080
CAR**3621A**	1.01	1.02	355AAV060080
CAR**4221A**	1.00	1.00	355AAV060080
CNRH**3617A**	1.01	1.03	355AAV060080
CNRH**4221A**	0.99	0.99	355AAV060080
CNRV**3621A**	1.01	1.03	355AAV060080
CNRV**4221A**	0.99	0.99	355AAV060080
CSRH**3612A**	0.99	0.98	355AAV060080
CSRH**4212A**	0.98	0.97	355AAV060080
CAR**3621A**	1.00	1.01	355AAV060100
CAR**4221A**	0.99	0.99	355AAV060100
CNRH**3617A**	1.01	1.03	355AAV060100
CNRH**4221A**	0.99	0.98	355AAV060100
CNRV**3621A**	1.01	1.03	355AAV060100
CNRV**4221A**	0.99	0.98	355AAV060100
CSRH**3612A**	0.99	0.98	355AAV060100
CSRH**4212A**	0.98	0.96	355AAV060100
CAR**4224A**	0.99	0.99	355AAV060120
CNRH**3617A**	1.01	1.03	355AAV060120
CNRH**4221A**	0.99	0.98	355AAV060120
CSRH**3612A**	0.99	0.98	355AAV060120
CSRH**4212A**	0.98	0.96	355AAV060120

See notes on pg. 31

HEAT PUMP HEATING PERFORMANCE - CONTINUED

INDOOR AIR		OUTDOOR COIL ENTERING AIR TEMPERATURES deg F																							
EDB	CFM	-3			7			17			27			37			47			57			67		
		Capacity MBtuh		Total Sys-tem KW†	Capacity MBtuh		Total Sys-tem KW†	Capacity MBtuh		Total Sys-tem KW†	Capacity MBtuh		Total Sys-tem KW†	Capacity MBtuh		Total Sys-tem KW†	Capacity MBtuh		Total Sys-tem KW†	Capacity MBtuh		Total Sys-tem KW†	Capacity MBtuh		Total Sys-tem KW†
		Total	In-teg*		Total	In-teg*		Total	In-teg*		Total	In-teg*		Total	In-teg*		Total	In-teg*		Total	In-teg*		Total	In-teg*	
213RNA042-A Outdoor Section With FC4DNF042 Indoor Section																									
65	1225	16.93	15.57	2.59	21.12	19.41	2.71	25.62	23.36	2.82	30.49	27.08	2.96	35.96	32.73	3.12	42.05	42.05	3.31	49.11	49.11	3.55	57.15	57.15	3.84
	1400	17.18	15.81	2.62	21.39	19.66	2.72	25.91	23.63	2.82	30.84	27.39	2.94	36.39	33.11	3.09	42.57	42.57	3.26	49.79	49.79	3.49	57.36	57.36	3.68
	1575	17.41	16.02	2.64	21.63	19.88	2.74	26.17	23.86	2.83	31.16	27.67	2.94	36.78	33.47	3.08	43.01	43.01	3.24	50.31	50.31	3.46	57.19	57.19	3.60
70	1225	16.47	15.15	2.70	20.71	19.04	2.83	25.24	23.01	2.95	30.10	26.73	3.09	35.49	32.29	3.26	41.54	41.54	3.46	48.41	48.41	3.70	56.37	56.37	4.01
	1400	16.73	15.39	2.72	21.00	19.29	2.84	25.54	23.29	2.95	30.42	27.02	3.07	35.90	32.67	3.22	42.00	42.00	3.41	49.08	49.08	3.63	56.87	56.87	3.87
	1575	16.97	15.61	2.75	21.24	19.52	2.85	25.80	23.52	2.95	30.71	27.28	3.07	36.25	32.99	3.21	42.42	42.42	3.38	49.58	49.58	3.60	56.90	56.90	3.77
75	1225	15.94	14.67	2.80	20.29	18.65	2.95	24.86	22.66	3.09	29.73	26.40	3.23	35.02	31.87	3.40	41.01	41.01	3.61	47.74	47.74	3.86	55.57	55.57	4.19
	1400	16.21	14.92	2.83	20.57	18.90	2.96	25.15	22.93	3.08	30.05	26.69	3.21	35.42	32.24	3.37	41.50	41.50	3.56	48.38	48.38	3.79	56.31	56.31	4.07
	1575	16.46	15.14	2.85	20.82	19.13	2.98	25.42	23.17	3.09	30.33	26.94	3.21	35.77	32.55	3.35	41.90	41.90	3.53	48.90	48.90	3.75	56.49	56.49	3.96

Heating Indoor Model	Capacity	Power	Furnace Model
*FC4DN(FB)042	1.00	1.00	
FA4CN(F,C)048	1.02	1.04	
FC4DN(FB)042	1.00	1.00	
FC4DN(FB)048	1.00	0.95	
FK4DNB006	0.99	0.94	
FK4DNF003	0.96	1.01	
FK4DNF005	0.98	0.96	
CAR**4817A**	1.01	1.02	
CAR**4821A**	1.01	1.03	
CAR**4824A**	1.01	1.03	
CNRH*4821A**	1.01	1.03	
CNRV*4821A**	1.01	1.03	
CNRV*4824A**	1.01	1.03	
CSRH*4812A**	1.01	1.02	
CNRH*4221A**	0.98	1.02	315(A,J)AV036070
CNRH*4821A**	0.99	1.01	315(A,J)AV036070
CSRH*4212A**	0.98	1.00	315(A,J)AV036070
CSRH*4812A**	0.99	1.01	315(A,J)AV036070
CAR**4817A**	0.99	0.99	315(A,J)AV048090
CNRH*4221A**	0.96	0.99	315(A,J)AV048090
CNRH*4821A**	0.98	0.98	315(A,J)AV048090
CSRH*4212A**	0.98	0.98	315(A,J)AV048090
CSRH*4812A**	0.99	0.99	315(A,J)AV048090
CAR**4221A**	0.98	1.01	315(A,J)AV060110
CAR**4821A**	0.98	0.98	315(A,J)AV060110
CNRH*4221A**	0.96	0.98	315(A,J)AV060110
CNRH*4821A**	0.98	0.98	315(A,J)AV060110
CNRV*4221A**	0.96	0.98	315(A,J)AV060110
CNRV*4821A**	0.98	0.98	315(A,J)AV060110
CSRH*4212A**	0.98	0.98	315(A,J)AV060110
CSRH*4812A**	0.99	0.99	315(A,J)AV060110
CAR**4224A**	0.96	0.99	315(A,J)AV066135
CAR**4824A**	0.98	0.97	315(A,J)AV066135
CNRH*4221A**	0.96	0.98	315(A,J)AV066135
CNRH*4821A**	0.98	0.97	315(A,J)AV066135
CNRV*4824A**	0.98	0.97	315(A,J)AV066135
CSRH*4212A**	0.98	0.97	315(A,J)AV066135
CSRH*4812A**	0.98	0.97	315(A,J)AV066135
CAR**4224A**	0.96	0.99	315(A,J)AV066155
CAR**4824A**	0.98	0.97	315(A,J)AV066155
CNRH*4221A**	0.96	0.98	315(A,J)AV066155
CNRH*4821A**	0.98	0.97	315(A,J)AV066155
CNRV*4824A**	0.98	0.97	315(A,J)AV066155
CSRH*4212A**	0.98	0.97	315(A,J)AV066155
CSRH*4812A**	0.98	0.97	315(A,J)AV066155

Heating Indoor Model	Capacity	Power	Furnace Model
CAR**4224A**	0.98	1.03	355AAV042040
CAR**4824A**	0.99	1.01	355AAV042040
CNRH*4221A**	0.98	1.02	355AAV042040
CNRH*4821A**	0.99	1.01	355AAV042040
CNRV*4824A**	0.99	1.01	355AAV042040
CSRH*4212A**	0.98	1.00	355AAV042040
CSRH*4812A**	0.99	1.01	355AAV042040
CAR**4817A**	0.99	1.00	355AAV042060
CNRH*4221A**	0.98	1.01	355AAV042060
CNRH*4821A**	0.98	0.99	355AAV042060
CSRH*4212A**	0.98	0.99	355AAV042060
CSRH*4812A**	0.99	1.00	355AAV042060
CAR**4221A**	0.98	1.03	355AAV042080
CAR**4821A**	0.99	1.02	355AAV042080
CNRH*4221A**	0.98	1.02	355AAV042080
CNRH*4821A**	0.99	1.01	355AAV042080
CNRV*4221A**	0.98	1.02	355AAV042080
CNRV*4821A**	0.99	1.01	355AAV042080
CSRH*4212A**	0.98	1.00	355AAV042080
CSRH*4812A**	0.99	1.01	355AAV042080
CAR**4221A**	0.98	1.02	355AAV060080
CAR**4821A**	0.99	1.01	355AAV060080
CNRH*4221A**	0.98	1.00	355AAV060080
CNRV*4221A**	0.98	1.01	355AAV060080
CNRV*4821A**	0.99	1.00	355AAV060080
CSRH*4212A**	0.98	0.99	355AAV060080
CSRH*4812A**	0.99	1.00	355AAV060080
CAR**4221A**	0.98	1.02	355AAV060100
CAR**4821A**	0.98	0.99	355AAV060100
CNRH*4221A**	0.98	1.00	355AAV060100
CNRH*4821A**	0.98	0.98	355AAV060100
CNRV*4221A**	0.98	1.00	355AAV060100
CNRV*4821A**	0.98	0.98	355AAV060100
CSRH*4212A**	0.98	0.99	355AAV060100
CSRH*4812A**	0.99	0.99	355AAV060100
CAR**4224A**	0.98	1.02	355AAV060120
CAR**4824A**	0.98	0.99	355AAV060120
CNRH*4221A**	0.96	0.99	355AAV060120
CNRH*4821A**	0.98	0.99	355AAV060120
CNRV*4824A**	0.98	0.99	355AAV060120
CSRH*4212A**	0.98	0.99	355AAV060120
CSRH*4812A**	0.98	0.98	355AAV060120

See notes on pg. 31

213R

HEAT PUMP HEATING PERFORMANCE - CONTINUED

INDOOR AIR		OUTDOOR COIL ENTERING AIR TEMPERATURES deg F																							
		-3			7			17			27			37			47			57			67		
		Capacity MBtuh	Total System KW†	In-teg*	Capacity MBtuh	Total System KW†	In-teg*	Capacity MBtuh	Total System KW†	In-teg*	Capacity MBtuh	Total System KW†	In-teg*	Capacity MBtuh	Total System KW†	In-teg*	Capacity MBtuh	Total System KW†	In-teg*	Capacity MBtuh	Total System KW†	In-teg*			
Total	In-teg*																						Total	In-teg*	Total
213RNA048-A Outdoor Section With FC4DNF048 Indoor Section																									
65	1400	19.49	17.93	3.03	24.20	22.24	3.17	29.27	26.69	3.31	34.82	30.93	3.47	41.08	37.39	3.66	48.04	48.04	3.88	55.97	55.97	4.16	65.15	65.15	4.52
	1600	19.80	18.21	3.05	24.54	22.55	3.18	29.60	26.99	3.30	35.23	31.29	3.45	41.58	37.83	3.62	48.63	48.63	3.83	56.69	56.69	4.10	64.63	64.63	4.28
	1800	20.07	18.47	3.08	24.82	22.81	3.20	29.90	27.26	3.31	35.58	31.60	3.45	42.00	38.22	3.61	49.10	49.10	3.81	56.94	56.94	4.02	63.84	63.84	4.19
70	1400	18.95	17.43	3.15	23.75	21.82	3.31	28.85	26.30	3.46	34.34	30.50	3.63	40.51	36.87	3.83	47.41	47.41	4.07	55.18	55.18	4.36	64.26	64.26	4.73
	1600	19.26	17.72	3.18	24.08	22.12	3.32	29.19	26.62	3.46	34.74	30.86	3.61	41.03	37.34	3.79	48.00	48.00	4.01	55.91	55.91	4.28	64.35	64.35	4.52
	1800	19.54	17.98	3.21	24.37	22.39	3.34	29.50	26.89	3.47	35.10	31.17	3.61	41.45	37.72	3.78	48.48	48.48	3.98	56.46	56.46	4.25	63.91	63.91	4.41
75	1400	18.34	16.87	3.27	23.23	21.35	3.45	28.40	25.89	3.62	33.89	30.10	3.80	39.98	36.38	4.01	46.81	46.81	4.26	54.41	54.41	4.56	63.33	63.33	4.94
	1600	18.66	17.17	3.30	23.57	21.66	3.46	28.75	26.22	3.61	34.27	30.44	3.78	40.45	36.81	3.97	47.37	47.37	4.20	55.14	55.14	4.47	63.98	63.98	4.79
	1800	18.95	17.44	3.33	23.87	21.93	3.48	29.07	26.50	3.62	34.60	30.73	3.77	40.85	37.17	3.95	47.87	47.87	4.17	55.70	55.70	4.43	63.79	63.79	4.64

213R

Heating Indoor Model	Capacity	Power	Furnace Model
*FC4DN(F,B)048	1.00	1.00	
FC4DN(F,B)048	1.01	1.01	
FC4DN(F,B)060	1.01	0.99	
FK4DNB006	0.99	0.98	
FK4DNF005	0.99	1.02	
CAR**4817A**	0.97	1.02	315(A,J)AV048090
CNRH*4821A**	0.99	1.05	315(A,J)AV048090
CNRH*6024A**	0.99	1.04	315(A,J)AV048090
CSRH*4812A**	0.99	1.04	315(A,J)AV048090
CSRH*6012A**	0.99	1.03	315(A,J)AV048090
CAR**4821A**	0.99	1.05	315(A,J)AV060110
CAR**6021A**	0.99	1.03	315(A,J)AV060110
CNRH*4821A**	0.99	1.04	315(A,J)AV060110
CNRH*6024A**	0.99	1.03	315(A,J)AV060110
CNRV*4821A**	0.99	1.04	315(A,J)AV060110
CSRH*4812A**	0.99	1.04	315(A,J)AV060110
CSRH*6012A**	0.99	1.02	315(A,J)AV060110
CAR**4824A**	0.99	1.04	315(A,J)AV066135
CAR**6024A**	0.99	1.02	315(A,J)AV066135
CNRH*4821A**	0.99	1.04	315(A,J)AV066135
CNRH*6024A**	0.99	1.02	315(A,J)AV066135
CNRV*4824A**	0.99	1.04	315(A,J)AV066135
CNRV*6024A**	0.99	1.02	315(A,J)AV066135
CSRH*4812A**	0.99	1.03	315(A,J)AV066135
CSRH*6012A**	0.99	1.01	315(A,J)AV066135
CAR**4824A**	0.99	1.03	315(A,J)AV066155
CAR**6024A**	0.99	1.02	315(A,J)AV066155
CNRH*4821A**	0.99	1.03	315(A,J)AV066155
CNRH*6024A**	0.99	1.02	315(A,J)AV066155
CNRV*4824A**	0.99	1.03	315(A,J)AV066155
CNRV*6024A**	0.99	1.02	315(A,J)AV066155
CSRH*4812A**	0.99	1.02	315(A,J)AV066155
CSRH*6012A**	0.99	1.00	315(A,J)AV066155
CAR**4821A**	0.99	1.06	355AAV060080
CAR**6021A**	1.00	1.05	355AAV060080
CNRH*4821A**	0.99	1.06	355AAV060080
CNRH*6024A**	0.99	1.05	355AAV060080
CNRV*4821A**	0.99	1.06	355AAV060080
CSRH*4812A**	0.99	1.05	355AAV060080
CSRH*6012A**	1.00	1.04	355AAV060080
CAR**4821A**	0.99	1.05	355AAV060100
CAR**6021A**	1.00	1.02	355AAV060100
CNRH*4821A**	0.99	1.05	355AAV060100
CNRH*6024A**	0.99	1.04	355AAV060100
CNRV*4821A**	0.99	1.05	355AAV060100
CSRH*4812A**	0.99	1.04	355AAV060100
CSRH*6012A**	1.00	1.04	355AAV060100
CAR**4824A**	0.99	1.05	355AAV060120
CAR**6024A**	0.99	1.04	355AAV060120
CNRH*4821A**	0.99	1.05	355AAV060120
CNRH*6024A**	0.99	1.04	355AAV060120
CNRV*4824A**	0.99	1.05	355AAV060120
CNRV*6024A**	0.99	1.04	355AAV060120
CSRH*4812A**	0.99	1.04	355AAV060120
CSRH*6012A**	0.99	1.03	355AAV060120

See note on pg. 31

HEAT PUMP HEATING PERFORMANCE - CONTINUED

INDOOR AIR		OUTDOOR COIL ENTERING AIR TEMPERATURES deg F																							
		-3			7			17			27			37			47			57			67		
		Capacity MBtuh		Total Sys-tem KW†	Capacity MBtuh		Total Sys-tem KW†	Capacity MBtuh		Total Sys-tem KW†	Capacity MBtuh		Total Sys-tem KW†	Capacity MBtuh		Total Sys-tem KW†	Capacity MBtuh		Total Sys-tem KW†	Capacity MBtuh		Total Sys-tem KW†	Capacity MBtuh		Total Sys-tem KW†
Total	In-teg*	Total	In-teg*		Total	In-teg*		Total	In-teg*		Total	In-teg*		Total	In-teg*		Total	In-teg*		Total	In-teg*		Total	In-teg*	
213RNA060—A Outdoor Section With FC4DNF060 Indoor Section																									
65	1750	25.42	23.39	3.96	30.92	28.42	4.10	36.95	33.69	4.27	43.61	38.73	4.45	51.09	46.49	4.67	59.02	59.02	4.84	66.24	66.24	5.05	65.65	65.65	5.01
	2000	25.81	23.75	4.00	31.33	28.79	4.14	37.39	34.09	4.29	44.11	39.18	4.46	51.73	47.08	4.63	58.54	58.54	4.78	61.87	61.87	4.86	59.50	59.50	4.78
	2250	26.18	24.08	4.06	31.71	29.14	4.18	37.79	34.46	4.33	44.55	39.57	4.48	51.85	47.18	4.61	57.18	57.18	4.74	58.08	58.08	4.75	55.04	55.04	4.67
70	1750	24.91	22.92	4.11	30.49	28.02	4.28	36.53	33.30	4.46	43.11	38.29	4.65	50.48	45.93	4.87	58.78	58.78	5.06	66.16	66.16	5.29	67.06	67.06	5.30
	2000	25.31	23.28	4.16	30.90	28.39	4.31	36.97	33.71	4.47	43.61	38.73	4.65	51.10	46.50	4.86	58.50	58.50	5.00	63.00	63.00	5.12	61.80	61.80	5.07
	2250	25.67	23.62	4.22	31.26	28.73	4.35	37.37	34.07	4.51	44.05	39.12	4.67	51.64	46.99	4.83	58.08	58.08	4.98	60.16	60.16	5.02	57.77	57.77	4.95
75	1750	24.36	22.41	4.27	30.00	27.57	4.45	36.07	32.89	4.64	42.61	37.85	4.85	49.92	45.43	5.08	58.19	58.19	5.31	66.02	66.02	5.54	68.87	68.87	5.63
	2000	24.76	22.78	4.32	30.42	27.96	4.49	36.52	33.30	4.66	43.09	38.27	4.85	50.48	45.93	5.06	58.37	58.37	5.23	64.89	64.89	5.42	64.86	64.86	5.40
	2250	25.13	23.12	4.38	30.81	28.31	4.53	36.93	33.67	4.69	43.54	38.67	4.87	51.04	46.44	5.06	58.07	58.07	5.20	61.75	61.75	5.29	60.03	60.03	5.24

Heating Indoor Model	Capacity	Power	Furnace Model
*FC4DN(FB)060	1.00	1.00	
FK4DNB006	1.02	1.06	
CAR**6024A**	1.00	1.03	315(A,J)AV066135
CSRH**6012A**	1.01	1.02	315(A,J)AV066135
CAR**6024A**	1.00	1.02	315(A,J)AV066155
CNRH**6024A**	1.01	1.04	315(A,J)AV066155
CNRV**6024A**	1.01	1.04	315(A,J)AV066155
CSRH**6012A**	1.01	1.01	315(A,J)AV066155

NOTE: When the required data falls between the published data, interpolation may be performed. Extrapolation is not an acceptable practice.

* The Btuh heating capacity values shown are net integrated values from which the defrost effect has been subtracted. The Btuh heating from supplement heaters should be added to those values to obtain total system capacity.

† The kW values include the compressor, outdoor fan motor, and indoor blower motor. The kW from supplement heaters should be added to these values to obtain total system kilowatts.

EDB — Entering Dry Bulb

213R

GUIDE SPECIFICATIONS

GENERAL

System Description

Outdoor-mounted, air-cooled, split-system heat pump unit suitable for ground or rooftop installation. Unit consists of a hermetic compressor, an air-cooled coil, propeller-type condenser fan, and a control box. Unit will discharge supply air upward as shown on contract drawings. Unit will be used in a refrigeration circuit to match up to a packaged fan coil or coil unit.

Quality Assurance

- Unit will be rated in accordance with the latest edition of ARI Standard 240.
- Unit will be certified for capacity and efficiency, and listed in the latest ARI directory.
- Unit construction will comply with latest edition of ANSI/ASHRAE and with NEC.
- Unit will be constructed in accordance with UL standards and will carry the UL label of approval. Unit will have C-UL approval.
- Unit cabinet will be capable of withstanding Federal Test Method Standard No. 141 (Method 6061) 500-hr salt spray test.
- Air-cooled condenser coils will be leak tested at 217 psig and pressure tested at 450 psig.
- Unit constructed in ISO9001 approved facility.

Delivery, Storage, and Handling

- Unit will be shipped as single package only and is stored and handled per unit manufacturer's recommendations.

Warranty (for inclusion by specifying engineer)

- U.S. and Canada only.

PRODUCTS

Equipment

- Factory assembled, single piece, air-cooled heat pump unit. Contained within the unit enclosure is all factory wiring, piping, controls, compressor, refrigerant charge (R-22), and special features required prior to field start-up.

Unit Cabinet

- Unit cabinet will be constructed of galvanized steel, bonderized, and coated with a powder coat paint.

Fans

- Condenser fan will be direct-drive propeller type, discharging air upward.

AIR-COOLED, SPLIT-SYSTEM HEAT PUMP

213R

1-1/2 TO 5 NOMINAL TONS

- Condenser fan motors will be totally enclosed, 1-phase type with class B insulation and permanently lubricated bearings.
- Shafts will be corrosion resistant.
- Fan blades will be statically and dynamically balanced.
- Condenser fan openings will be equipped with steel wire safety guards.

Compressor

- Compressor will be hermetically sealed.
- Compressor will be mounted on rubber vibration isolators.

Condenser Coil

- Condenser coil will be air cooled.
- Coil will be constructed of aluminum fins mechanically bonded to copper tubes which are then cleaned, dehydrated, and sealed.

Refrigeration Components

- Refrigeration circuit components will include liquid-line shutoff valve with sweat connections, vapor-line shutoff valve with sweat connections, system charge of refrigerant, compressor oil, accumulator, loss of charge switch, and reversing valve.

Operating Characteristics

- The capacity of the unit will meet or exceed _____ Btuh at a suction temperature of _____ °F. The power consumption at full load will not exceed _____ kW.
- Combination of the unit and the evaporator or fan coil unit will have a total net cooling capacity of _____ Btuh or greater at conditions of _____ CFM entering air temperature at the evaporator at _____ °F wet bulb and _____ °F dry bulb, and air entering the unit at _____ °F.
- The system will have a SEER of _____ Btuh/watt or greater at DOE conditions.

Electrical Requirements

- Nominal unit electrical characteristics will be _____ v, single phase, 60 hz. The unit will be capable of satisfactory operation within voltage limits of _____ v to _____ v.
- Nominal unit electrical characteristics will be _____ v, three phase, 60 hz. The unit will be capable of satisfactory operation within voltage limits of _____ v to _____ v.
- Unit electrical power will be single point connection.
- Control circuit will be 24v.

Special Features

- Refer to section of this literature identifying accessories and descriptions for specific features and available enhancements.

Free Manuals Download Website

<http://myh66.com>

<http://usermanuals.us>

<http://www.somanuals.com>

<http://www.4manuals.cc>

<http://www.manual-lib.com>

<http://www.404manual.com>

<http://www.luxmanual.com>

<http://aubethermostatmanual.com>

Golf course search by state

<http://golfingnear.com>

Email search by domain

<http://emailbydomain.com>

Auto manuals search

<http://auto.somanuals.com>

TV manuals search

<http://tv.somanuals.com>