

Theater 1001ST Audio/Video Stereo Modulator

1001ST

Information Brochure

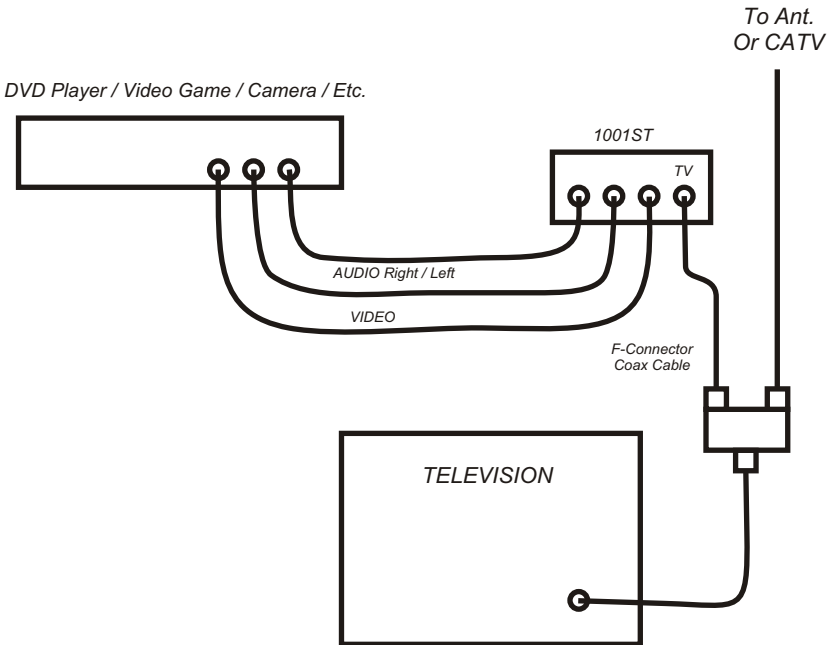


True MTS compatible stereo output

Distributes a Video/Audio Source to multiple locations over a single coax cable.

Cable Electronics, Inc.
3209 Wood Drive
Garland, Texas 75041
(469)429-9200 Fax (469)429-9205





Typical application diagram.

1001ST

This unit allows any stereo Audio/Video source, to distribute Audio and Video to different locations over standard coax cable. The RF output can be changed to any channel between 14 to 69 or cable channels from 65 to 125 (95-99 not included).

SPECIFICATIONS

VIDEO

Nominal Input level: 1 Volt peak to peak
Input Impedance: 75 ohms
Isolation port to port: 32 dB
Isolation out to input: 60 dB
Video bandwidth: > 4 Mhz

AUDIO

Nominal Input level: 1 Volt peak to peak
Input impedance: 22k ohm
THD: < 0.5%
Frequency Response: 20Hz to 14kHz
Channel Separation: >30dB
Signal to Noise: >60dB @ 2 Volts

POWER

Requirement: External 9 Volt DC @ 250mA (minimum) with a 2.5mm Coaxial Center positive connector. Power Supply is included.

WARRANTY

Cable Electronics, Inc. warrants this product to be free from defects in material and workmanship, under normal use and service, for a period of one year from the purchase by the original purchaser. If this product is defective or malfunctions, Cable Electronics will replace or repair this unit (at their option) within a reasonable time. No expressed or implied warranty is made for any defects caused by immersion or exposure to liquids, abuse, neglect, improper operation of unit, excess wear and tear and defects resulting from unauthorized disassembly and or modification.

*NOTE: *Please allow one channel spacing above and below the modulator tuned channel to prevent interference to existing channels.
Press and hold the mode button to change the frequency output mode. Hold for at least 6 seconds or until display changes.

1001ST

PERFORMANCE SPECIFICATIONS And Features

Interface

Tuning	Push button digital control
Display	2 ½ Digit, Seven Segment Digital Readout
Mode	Selects Off-Air or Cable output frequencies

Video

Input Level:	Standard 1 Vp-p
Input Impedance:	75 ohms
Connector:	RCA

Audio

Full MTS Stereo Compatibility.

Input level:	Standard 1 Vp-p (2 Vp-p max)
Input Impedance:	22K ohm minimum
Frequency Response:	20 Hz to 14 kHz
Channel Separation:	Greater than 30 dB typical
Signal to Noise:	60 dB
Distortion:	Less than 0.5 %
Connector:	Two RCA, Right and Left

Misc.

Channel Range:	UHF 14 to 69, Cable 65 to 94, 100 to 125
RF Output Level:	+20 dBmV, F connector
Power Supply:	9 to 12 Vdc, 250 mA minimum
Size:	3.9 x 3.9 x 1.5 inches
Internal Band Pass Filtering	to virtually eliminate spurious signals
Stereo encoder	is Macrovision compatible for use with DVD and VCR sources

Free Manuals Download Website

<http://myh66.com>

<http://usermanuals.us>

<http://www.somanuals.com>

<http://www.4manuals.cc>

<http://www.manual-lib.com>

<http://www.404manual.com>

<http://www.luxmanual.com>

<http://aubethermostatmanual.com>

Golf course search by state

<http://golfingnear.com>

Email search by domain

<http://emailbydomain.com>

Auto manuals search

<http://auto.somanuals.com>

TV manuals search

<http://tv.somanuals.com>