



**CAMPBELL  
HAUSFELD®**

# Gasoline Powered Pressure Washers

**Operating Instructions and Parts List**

**PW2570**

**Please record Model No. and Serial No. for use when contacting the manufacturer:**

**Model No.** \_\_\_\_\_ **Purchase date** \_\_\_\_\_

**Serial No.** \_\_\_\_\_ **Purchase place** \_\_\_\_\_

*For Information About This Product, call 1-800-330-0712*



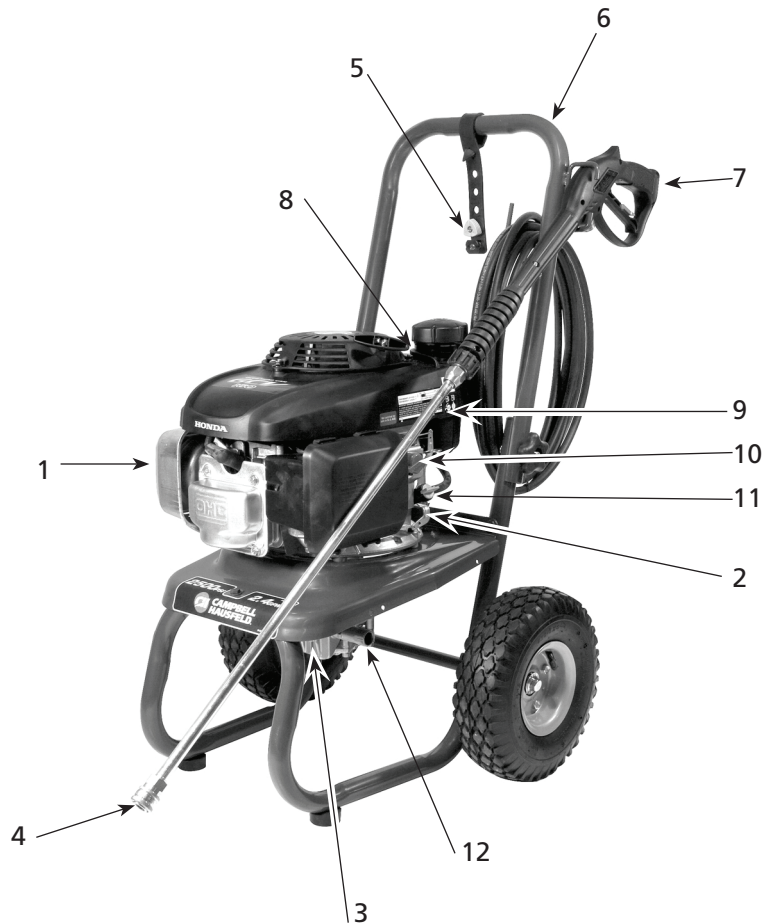
**Model PW2570**

<b>Contents</b>	<b>Page</b>
Getting To Know Your Pressure Washer . . . . .	2
Frequently Asked Questions . . . . .	3
Safety and Warning Information. . . . .	4
Pre-Operation . . . . .	5-6
Operation . . . . .	6-9
Maintenance and Technical Information . . . . .	10
Service Record . . . . .	11
Replacement Parts Lists	
• Pump . . . . .	12
• Cart . . . . .	13
Troubleshooting Chart . . . . .	14
Warranty . . . . .	16

**CAREFULLY READ AND UNDERSTAND THESE INSTRUCTIONS  
BEFORE OPERATING YOUR PRESSURE WASHER.**

**REMINDER: Keep your dated proof of purchase for warranty purposes!  
Attach it to this manual or file it for safekeeping.**

## Getting To Know Your Pressure Washer



### PW2570

- |   |  |
|---|--|
| 1 Muffler                                 | 7 Gun with trigger                                 |
| 2 Location of Serial Number/Product Decal | 8 Fuel Tank  |
| 3 (Pump) Inlet Connection for Garden Hose | 9 Choke  |
| 4 Lance with Quick Connect                | 10 Engine Switch - On/Off                          |
| 5 Tip Holder with Spray Tip               | 11 Fuel Valve - On/Off                             |
| 6 Handle                                  | 12 (Pump) Outlet Connection for High Pressure Hose |

## Frequently Asked Questions

### How do I start my pressure washer?

1. Make sure you have gas and oil in the engine. The engine DOES NOT COME FILLED WITH OIL.
2. Turn the water on, then trigger the gun to make sure the water will flow smoothly out of the tip.
3. Open the fuel shutoff valve by turning the knob counterclockwise until it stops.
4. Close the choke (if engine is cold) by moving the choke ring fully to the right.
5. Set the shut off switch to "ON."
6. Pull the trigger (to relieve any back pressure in the pump) while pulling the starter cord.

### What type of oil do I use?

ENGINE DOES NOT COME FILLED WITH OIL: See Page 10 for engine oil types, quantities, and oil changing instructions.

Pump: The pump comes filled with the correct amount of oil and should not need changing or filling.

### Why don't I have any water pressure?

- Is the water hose attached to the pressure washer?
- Is the water turned on?
- Check for any kinks, leaks, or blockage in the hoses, fittings, or the nozzle.
- Is the 15° (yellow) spray tip inserted into the end of the lance (See Page 8)?
- Is the inlet filter screen free of debris? Check and remove debris if needed.

### How do I get high pressure?

- For high pressure, insert the 15° (yellow) spray tip into the end of the lance (See Page 8).

### How do I get the soap suction to work?

1. Attach clear plastic tube to barb on pump (see Figure 2 on page 5).
2. Put the other filter end of the clear tube into the detergent container.
3. Install the black spray tip to apply low pressure detergent.

### Why doesn't the pressure washer apply detergents with high pressure?

Detergents "bounce" off cleaning surfaces as fast as they are applied. The pressure washer's features allow for a detergent to be drawn while in low pressure mode only. By applying detergent at low pressure, the effect of "bouncing" is reduced. Also, detergents are only effective when time is allowed for them to work on the surface of whatever is being cleaned. After applying the detergent, wait 1-3 minutes while it works, and then proceed to rinse the surface with high pressure.

### What maintenance do I need to perform on my pressure washer?

1. After turning off the pressure washer and the water, depressurize the hose by triggering the gun.
2. Remove the garden hose and high pressure hose from the pump.
3. Pull the start rope slowly five times to purge water from the pump. This will help protect the pump from damage.
4. Do not store your pressure washer in an area where the temperature will drop below 32° F.
5. Follow proper storage and winterizing instructions found on page 9.

### What do I do if I'm missing a part?

Call Campbell Hausfeld at 1-800-330-0712 and we will promptly replace your missing parts. **DO NOT RETURN THE PRESSURE WASHER TO THE RETAILER!**

### Where can I buy accessories for my pressure washer?

- If you can't find accessories at the store where you purchased your pressure washer, call Campbell Hausfeld at 1-800-330-0712 or visit our website at [www.chpower.com](http://www.chpower.com).

### Who do I call if I have questions or problems?

Call Campbell Hausfeld at  
1-800-330-0712 (U.S.A.)

## Safety and Warning Information

### Safety Guidelines

This manual contains information that is very important to know and understand. This information is provided for SAFETY and to PREVENT EQUIPMENT PROBLEMS. To help recognize this information, observe the following symbols.

**⚠ DANGER** *Danger indicates an imminently hazardous situation which, if not avoided, WILL result in death or serious injury.*

**⚠ WARNING** *Warning indicates a potentially hazardous situation which, if not avoided, COULD result in death or serious injury.*

**⚠ CAUTION** *Caution indicates a potentially hazardous situation which, if not avoided, MAY result in minor or moderate injury.*

**NOTICE** *Notice indicates important information, that if not followed, may cause damage to equipment.*

**NOTE:** Information that requires special attention.

### CALIFORNIA PROPOSITION 65

**⚠ WARNING** *This product or its power cord contains chemicals known to the State of California to cause cancer and birth defects or other reproductive harm. Wash hands after handling.*

### Important Safety Instructions

#### SAVE THESE INSTRUCTIONS

#### ⚠ WARNING

When using this product, basic precautions should always be followed, including the following:

1. Read all instructions before using the product.
2. To reduce the risk of injury, close supervision is necessary when the product is used near children.
3. Follow all safety codes as well as the Occupational Safety and Health Act (OSHA).
4. Ensure safety devices are operating properly before each use. DO NOT remove or modify any part of the gun or unit.
5. Know how to stop this product and bleed pressure quickly. Be thoroughly familiar with the controls.
6. Stay alert – watch what you are doing.
7. Do not operate the product when fatigued or under the influence of alcohol or drugs.
8. Keep operation area clear of all persons.
9. Do not overreach or stand on unstable support. Keep good footing and balance at all times.
10. Follow the maintenance instructions specified in the manual.

**⚠ WARNING** *Risk of injection or severe injury. Keep clear of nozzle. Do not discharge streams at persons. This product is to be used only by trained operators. Always remove lance from gun before cleaning debris from tip.*

- Keep clear of nozzle. NEVER direct high pressure spray at a person, animal, or yourself.
- Always wear safety glasses or goggles and protective equipment (hearing protection, gloves, rubber boots, protective clothing) when operating or performing maintenance.
- Never put hand or fingers over the spray tip while operating the unit.

- Never try to stop or deflect leaks with any body part.
- Always engage the trigger safety latch in the safe position when spraying is stopped even if only for a few moments.
- Always follow detergent manufacturer's label recommendations for proper use of detergents. Always protect eyes, skin, and respiratory system from detergent use.

**⚠ WARNING** *Do not use pressure that exceeds the operating pressure of any of the parts (hoses, fittings, etc.) in the pressurized system. Ensure all equipment and accessories are rated to withstand the maximum working pressure of the unit.*

**⚠ WARNING** *Explosion hazard.*

- NEVER spray flammable liquids or use pressure washer in areas containing combustible dust, liquids, or vapors.
- Never operate this machine in a closed building or in or near an explosive environment.
- Do not remove fuel tank cap or fill fuel tank while engine is hot or running (allow engine to cool two minutes before refueling). Always fill the tank slowly.
- Never disconnect the high pressure discharge hose from the machine while the system is pressurized. To depressurize machine, turn power and water supply off, then press the gun trigger 2-3 times.
- Never permanently engage the trigger mechanism on the gun.
- Never operate the machine without all components properly connected to the machine (handle, gun/wand assembly, nozzle, etc.).

**NOTICE** *Equipment damage.*

- ALWAYS turn water supply "ON" before turning pressure washer "ON." Running pump dry causes serious damage.
- Do not operate the pressure washer with the inlet water screen removed. Keep screen clear of debris and sediment.
- NEVER operate pressure washer with broken or missing parts. Check equipment regularly and repair or replace worn or damaged parts immediately.
- Use only the nozzle supplied with this machine.
- Never leave the wand unattended while the machine is running.
- Never tamper with the engine governor or attempt to alter factory settings. Altering factory settings could damage the unit and will void the warranty.
- Always hold gun and wand firmly when starting and operating the machine.
- NEVER allow the unit to run with the trigger released (off) for more than one minute. Resulting heat buildup will damage the pump.
- NEVER store the pressure washer outdoors or where it could freeze. Freezing temperatures can seriously damage the pump.
- Release the trigger when changing from high to low pressure modes. Failure to do so could result in damage to the nozzle.

**⚠ CAUTION** *Keep hose away from sharp objects. Bursting hoses may cause injury. Examine hoses regularly and replace if damaged. Do not attempt to mend a damaged hose.*

## Pre-Operation

### UNPACKING

Remove the equipment and all parts from the carton. The carton should contain the following:

- One pressure washer (pump, engine, cart base)
- One cart handle assembly
- One spray gun
- One lance
- One tip holder with 2 spray tips. *Additional tips available for purchase, see Page 13*
- One high pressure hose
- One pack of nuts, bolts, and manuals

If any parts are missing, **DO NOT RETURN THE UNIT TO THE RETAILER.** Know the unit's model number (located on the serial number tag on the pressure washer frame) and call 1-800-330-0712 for replacement parts.

After unpacking the product, inspect it carefully for any damage that may have occurred during transit. Make sure to tighten fittings and bolts before using the pressure washer.

**⚠ WARNING** *Do not operate the unit if it's damaged during shipping, handling, or use. Damage could result in bursting and cause injury or property damage.*

### ASSEMBLY

1. Slide the handle assembly over the lower legs of the cart base. Use the supplied nuts and bolts to secure the handle to the legs. See Figure 1.

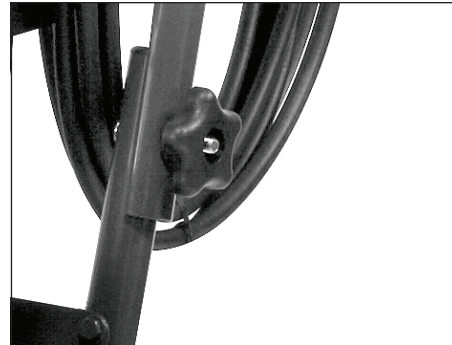


Figure 1 - Assemble Handle

2. **Brass Swivel Adaptor** (See Figure 2). If it's not already attached to the pump inlet, assemble the brass swivel adaptor and attach it to the pump inlet (See Figure 3 and Figure 4). Be sure to connect the correct side of the brass swivel adaptor to the pump.

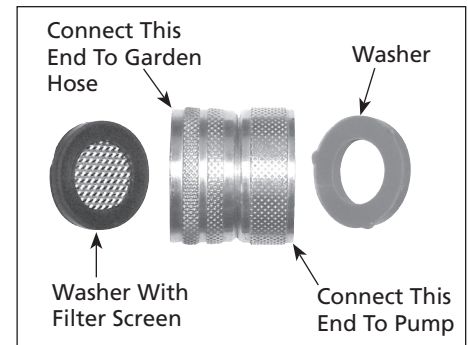


Figure 3 - Brass swivel adaptor

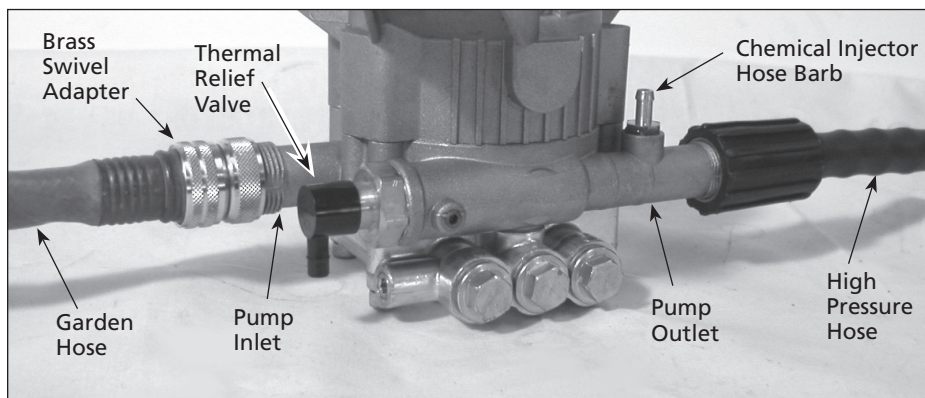


Figure 2 - Pump hook up

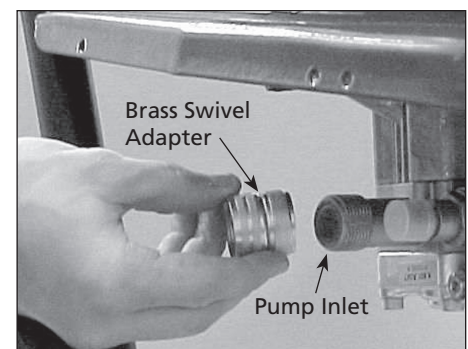
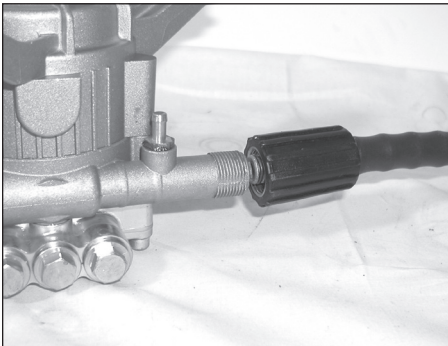


Figure 4 - Connect the brass swivel to the pump

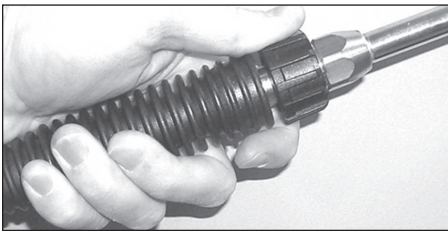
## Pre-Operation

3. Secure garden hose (not included) to the inlet connection on pump.
4. Connect the high pressure hose to the pump outlet (See Figures 2 and 5).



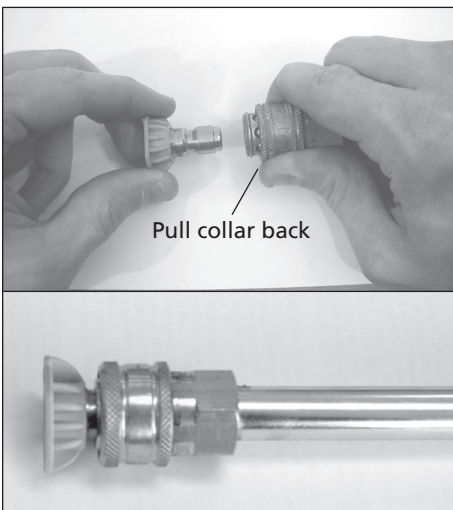
**Figure 5 – Connect high pressure hose to pump**

5. Attach the lance to the gun (see Figure 6).



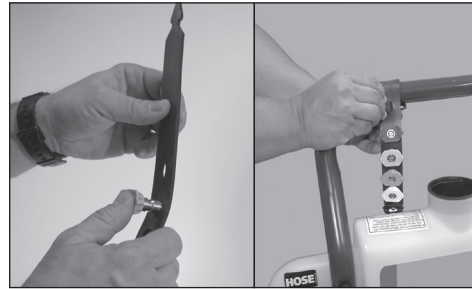
**Figure 6 – Attach lance to gun**

6. Install quick connect tip by pulling back on collar and pressing in tip. Release collar, make sure it completely returns to its forward position and tip is secure (see Figure 7).



**Figure 7 – Installing quick connect tip**

7. Install quick connect tips to tip holder and secure to the pressure washer handle. See Figure 8.

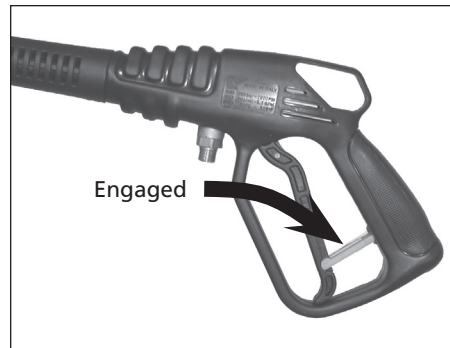


**Figure 8 – Insert spray tips into the rubber tip holder**

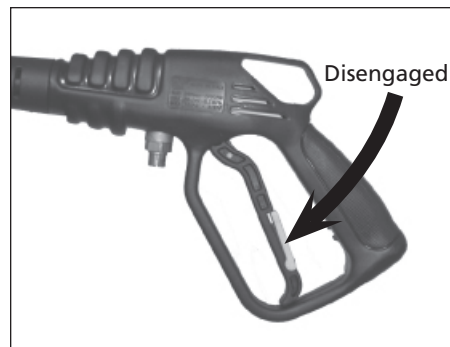
### TRIGGER SAFETY LATCH

In the engaged position, the trigger safety latch prevents the gun from being triggered accidentally. Push the latch fully up to engage it (See Figure 9).

Always engage the trigger safety latch when the unit is not in use.



**Figure 9a - Trigger locked**



**Figure 9b - Trigger unlocked**

## Operation

### 1. SURFACE PREPARATION

The following cleaning procedure will help you organize your cleaning task and ensures that you will achieve the best results in the shortest amount of time. Remember to use the spraying / cleaning techniques mentioned in the following section.

Before starting a pressure washer cleaning job, prepare the surface you intend to clean. Clear furniture from the area and make sure that all windows and doors are closed tightly. Also, protect all plants and trees near the cleaning area with a drop cloth. A covering ensures that your plants won't be sprayed by the detergents.

### 2. START UP

ALWAYS use the following start up procedure to ensure that the unit is started safely and properly.

#### NOTICE

**If water has frozen in the pressure washer, thaw the pressure washer in a warm room before starting. DO NOT pour hot water on or into the pump; internal parts will be damaged.**

1. Check engine oil levels. Add oil as necessary.
2. Check fuel level. Add unleaded gasoline (rated 86 octane or higher) as required.

#### WARNING

**DO NOT refuel a hot engine. Refueling a hot engine could cause a fire. Use only fresh, clean regular or unleaded gasoline. Close the fuel shutoff valve during refueling.**

3. Attach a garden hose to the inlet side of the pump and connect it to the water supply. Use a hose with an internal diameter (I.D.) of 5/8 inch (1.58 cm) and a length of 50 ft. (15 m) or less.

#### NOTICE

**Some local plumbing codes require backflow prevention when connecting to a fresh water supply. Install a backflow preventer upstream from the pump if necessary.**

- a. If inlet water pressure is over 100 psi, install a regulating water valve at the garden hose connection.
- b. Do not exceed 100° F (38° C) inlet water temperature.

**NOTE:** The inlet water supply must have a minimum flow rate of 5 gpm (19 lpm).

4. Turn the water supply ON.

#### NOTICE

**Never run the unit dry. Be sure the water supply is completely turned on before operating the unit.**

5. Trigger the gun until water sprays smoothly from the tip indicating that all air is purged from the system. Lock the trigger safety latch.
6. Open the fuel valve by turning the knob counterclockwise until it stops. Close the choke (if engine is cold) by moving the choke ring fully to the right. Turn the ignition switch to "ON".
7. Start the engine. Unlock the trigger safety latch on the gun (See Figure 9). Grasp the starter rope and brace one foot on the chassis. Point the gun in a safe direction. While squeezing the trigger on the gun, pull the starter rope rapidly and firmly (See Figure 10). Continue holding

the rope as it returns. Repeat these steps until the engine starts.



Figure 10 - Start the engine

#### CAUTION

**When pulling the starter rope, make sure to keep your hand and arm clear of the engine and cart components.**

#### NOTICE

**Never let the starter rope return by itself. Doing so could jam the recoil system.**

8. If the engine does not start after two or three pulls or if the rope is hard to pull, squeeze the gun trigger to release the pressure that has built up in the high pressure hose. Repeat Steps 7 and 8 until the engine starts.

### 3. INITIAL HIGH PRESSURE RINSE

Spray the cleaning surface with water to clear off any dirt or grime that may have collected on the surface. Doing so allows the detergent to attack the deep down dirt that has worked its way into the cleaning surface.

#### ANGLE TO THE CLEANING SURFACE

When spraying water against a surface, you can generate maximum impact by striking the surface head on. However, this type of impact can cause dirt particles to embed in the surface and can prevent the desired cleaning action.

The optimum angle for spraying water against a cleaning surface is 45 degrees (See Figure 11).

Spray water against a surface at a 45 degree angle to achieve the most beneficial impact force and to efficiently remove debris.

## Operation



**Figure 11 - Optimum angle to cleaning surface**

### DISTANCE FROM CLEANING SURFACE

The distance between the spray tip and the cleaning surface is another factor that affects the impact force of the water. The impact force of the water increases as the tip is moved closer to the surface.

### HOW TO AVOID DAMAGING SURFACES

Damage to cleaning surfaces occurs because the impact force of the water exceeds the durability of the surface. You can vary the impact force by controlling the spray tip angle to the cleaning surface and the distance from the cleaning surface and by changing the spray tip. NEVER use a narrow high impact stream on a surface that is susceptible to damage. Avoid spraying windows with a narrow high impact stream. Doing so may break the window. The most sure way to avoid damaging surfaces is to follow these steps:

1. Before triggering the gun, make sure the quick connect tip you are using is appropriate for the application.
2. Place the spray tip approximately 4-5 feet (1,22-1,52 m) away from the cleaning surface. Then hold the lance and spray tip at a 45 degree angle to the cleaning surface. Trigger the gun.
3. Vary the fan pattern spray angle and the distance to the cleaning surface until optimum cleaning efficiency is achieved without damaging the surface.

The color of the tip shows what spray angle it is:

**Red – 0° – Maximum Duty \***

**Yellow – 15° – Heavy Duty \***

**Green – 25° – General Duty \***

**White – 40° – Light Duty \***

**Black – 65° – Low Pressure Detergent**

\* = Not Included

**NOTE:** Use orifice size 2.5

### 4. DETERGENT APPLICATION

**NOTE:** Use only detergents formulated for pressure washers. Test detergent in an inconspicuous area before use.

#### DETERGENTS

The use of detergents can dramatically reduce cleaning time and assist in the removal of difficult stains. Many detergents are customized for pressure washer use on specific cleaning tasks. Pressure washer detergents are as thick as water. Using thicker detergents – like dish soap – will clog the chemical injection system and prevent the application of the detergent.

Once applied to a cleaning surface, detergents take time to break down dirt and grime. Detergents work best when applied at low pressure.

You can effectively clean surfaces by combining the chemical action of detergents with high pressure rinses. On vertical surfaces, apply the detergent starting at the bottom and work your way upward. This method prevents the detergent from sliding down and causing streaks. Begin high pressure rinsing at the bottom and work your way upward. On particularly tough stains, use a brush in combination with detergents and high pressure rinsing.

1. Follow manufacturer's label directions for mixing correct concentrations of soap/detergents. The soap detergent to water ratio through the pump is approximately 12% (1 to 8).
2. Insert the filter end of the clear plastic detergent tube into the detergent container.
3. Install 65° (Black) Low Pressure Detergent Tip in the quick connect fitting on the end of the lance.

#### **⚠ WARNING**

**NEVER replace quick connect tip when gun is triggered. Always engage trigger lock on gun before removing or installing quick connect tips.**

#### GENERAL CLEANING TIPS

1. Apply the detergent so that it thoroughly covers the cleaning surface. Apply the detergent from bottom to top to prevent the detergent from sliding down and streaking. Wait a couple of minutes for the detergent to break down the dirt and grime. Use a brush to lightly scrub heavily soiled areas. Never allow the detergent to dry on the cleaning surface.
2. Replace black 65° quick connect tip with the yellow 15° tip and complete final rinse.

#### **⚠ WARNING**

**NEVER replace quick connect tip when gun is triggered. Always engage trigger lock on gun before removing or installing quick connect tips.**

3. NOTE: After using detergents, flush the suction system by placing the detergent suction tube into a bucket of clean water and running unit with black 65° tip flushing clean water from tank through the pump.



## Operation

### 5. CLEANING POWER

The easiest way to regulate the cleaning power of your pressure washer is by changing the distance from the surface you are cleaning. Begin spraying while standing several feet from the surface. Slowly move closer to the object you are cleaning until you find the most effective cleaning technique.

### 6. FINAL RINSE

The final rinse should start at the bottom and work upward. Make sure that you thoroughly rinse the surface and that you remove all detergent.

### 7. PRESSURE RELIEF PROCEDURE

To reduce the risk of bodily injury or property damage, always follow this procedure whenever spraying is stopped, when work is completed, and before checking or repairing any part of the system.

1. Engage the trigger safety latch.
2. Turn the unit off.
3. Shut off the water supply.
4. Disengage the trigger safety latch and trigger the gun to relieve pressure.
5. Re-engage the trigger safety latch.
6. When checking or repairing unit, remove the ignition cable from the spark plug..
7. Before overnight storage, long term storage, or transporting unit, disconnect the water supply and turn off the fuel supply valve.

### 8. SHUTDOWN

1. Be sure all detergent is flushed from system.
2. Turn the engine OFF.
3. Turn the water supply OFF.
4. After the engine and water supply are turned off, trigger the gun to depressurize the system.

#### NOTICE

**NEVER turn the water supply off before turning the engine/motor off. Serious damage could occur to the pump and/or engine/motor.**

#### CAUTION

**NEVER disconnect the high pressure discharge hose from the machine while the system is pressurized. To depressurize, turn engine/motor off, turn water supply off and squeeze gun trigger 2-3 times.**

5. After each use, wipe all surfaces of the pressure washer with a clean, damp cloth.
- Do not store the pressure washer outdoors.
  - Do not store the pressure washer where it might freeze unless it has been properly winterized.

### 9. STORAGE

#### LONG TERM STORAGE INSTRUCTIONS (MORE THAN 30 DAYS IN STORAGE)

1. Remove fuel from the tank and run the pressure washer in a normal operating mode until the engine stops from a lack of fuel. Normal operating mode means actually spraying water from the gun while the engine is running.  
*Alternate method* – Add fuel stabilizer to gas in the tank and run in normal operating mode for at least five minutes.
2. Stop the engine, turn off the water supply, and trigger the gun to release pressure in the high-pressure hose.
3. Disconnect the water supply and high pressure hose from the pump.
4. Allow the engine to cool.
5. Disconnect the spark plug wire and remove the spark plug.
6. Pour 1/2 oz. of engine oil into the spark plug hole.

#### WARNING

**Never pull the starter rope on the engine when the spark plug is removed unless the spark plug hole is covered. Fuel vapor from the hole can ignite by a spark.**

7. Place a rag over the spark plug hole and slowly pull the starter rope several times to distribute the oil.

#### WINTERIZING INSTRUCTIONS

1. Follow and complete the Long Term Storage Instructions above.
2. Disconnect the spark plug wire.
3. Disconnect the high pressure hose from the pump.
4. Insert a 12 inch to 14 inch piece of garden hose into the pump inlet.
5. Place a funnel in the other end of the garden hose.

#### NOTICE

**Read the manufacturer's instructions for safe handling and disposal of RV antifreeze.**

6. Pour approximately 6 oz. of RV antifreeze into the funnel.
7. Pull the starter rope several times until the RV antifreeze comes out of the pump outlet.
8. Disconnect the high pressure hose from the gun and drain the hose. Hold the gun and lance in a vertical position and squeeze the trigger to drain the water out.

#### TIPS FOR EXTENDING THE LIFE OF YOUR PRESSURE WASHER

1. Never operate the unit without water.
2. Your pressure washer is not meant to pump hot water. Never connect your pressure washer to a hot water supply as it will significantly reduce the life of the pump.
3. Running the unit for more than one minute without spraying water causes heat to build up in the pump. Running the unit without spraying water can damage pump components.

## Maintenance

Observe regular maintenance intervals to ensure maximum performance and life from the pressure washer. Refer to the schedule for recommended maintenance. If you operate the pressure washer in dusty conditions, perform maintenance checks more often.

### ENGINE OIL CHANGING INSTRUCTIONS

Drain the engine oil when the engine is warm. Warm oil drains quickly and completely.

1. Turn the fuel valve to the OFF position to reduce the possibility of fuel leakage.
2. Place a suitable container next to the engine to catch the used oil.
3. Remove the oil filler cap/dipstick and drain the oil into the container by tipping the engine toward the oil filler neck.

Please dispose of used motor oil in a manner that is compatible with the environment. We suggest you take used oil in a sealed container to your local recycling center or service station for reclamation. Do not throw into the trash, pour it on the ground, or pour it down a drain.

4. With the engine in a level position, fill to the upper limit mark on the dipstick with the recommended oil.

#### NOTICE

*Running the engine with a low oil level can cause engine damage.*

5. Reinstall the oil filler cap/dipstick securely.

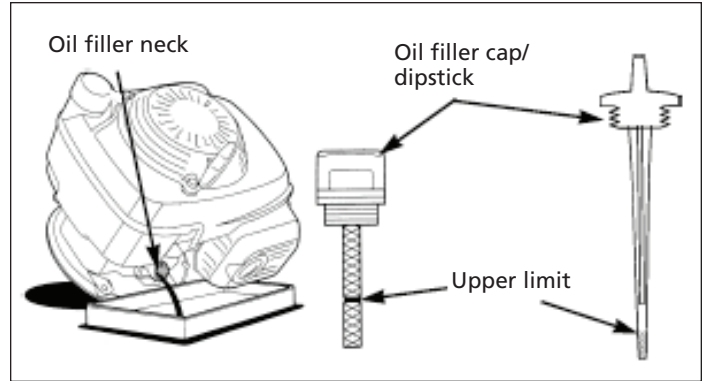


Figure 12 – Oil Drain Location

### PUMP OIL CHANGING INSTRUCTIONS

Changing or refilling the oil in the pump requires removal of the pump from the engine and should not be required unless oil has leaked out due to worn or damaged oil seals in the pump. If oil has leaked out of the pump, bring the pressure washer to a certified Campbell Hausfeld service center for repair.

### MAINTENANCE SCHEDULE

Maintenance Schedule	Action Needed
Daily	<ul style="list-style-type: none"> <li>• Check water inlet screen and filter.</li> <li>• Check engine oil levels. Fill as necessary.</li> <li>• Check gasoline level. Fill as necessary.</li> </ul>
After first 5 hours of operation	<ul style="list-style-type: none"> <li>• Change engine break-in oil. Use SAE30 or 10W-30 detergent oil.</li> </ul>
Every 25 hours of operation	<ul style="list-style-type: none"> <li>• Change oil if operating under heavy load or high ambient temperature.</li> <li>• Clean or replace paper air cleaner cartridge. Tap gently to remove dirt.</li> </ul>
Every 50 hours of operation	<ul style="list-style-type: none"> <li>• Change oil.</li> <li>• Replace spark plug.</li> </ul>
Each 100 hours of operation or every 3 months	<ul style="list-style-type: none"> <li>• Replace paper air cleaner cartridge.</li> <li>• Change engine oil.</li> </ul>

### TECHNICAL AND CONSUMER INFORMATION

Vertical Oriented Pressure Washers	
<b>Engine Oil Type</b>	SAE 10W-30 SAE 30W (Above 60° F)
<b>Engine Oil Capacity</b>	Honda Engines 18.5 fl. oz.
<b>Engine Fuel Capacity</b>	Honda Engines 0.29 gal
<b>Pump Oil Type</b>	Wobble Pumps SAE30W non-detergent oil
<b>Pump Oil Capacity</b>	Vertical Wobble Pumps 2.7 fl. oz.
<b>Pump Detergent Suction</b>	Water to detergent ratio 8 to 1 (12% detergent)
<b>Water Supply Requirements</b>	
Minimum inlet pressure	20 psi
Maximum inlet pressure	100 psi
Maximum inlet temperature	100° F
Minimum inlet flow rate	5 gpm
Inlet garden hose size	5/8 inch I.D.
Maximum inlet garden hose length	50 feet



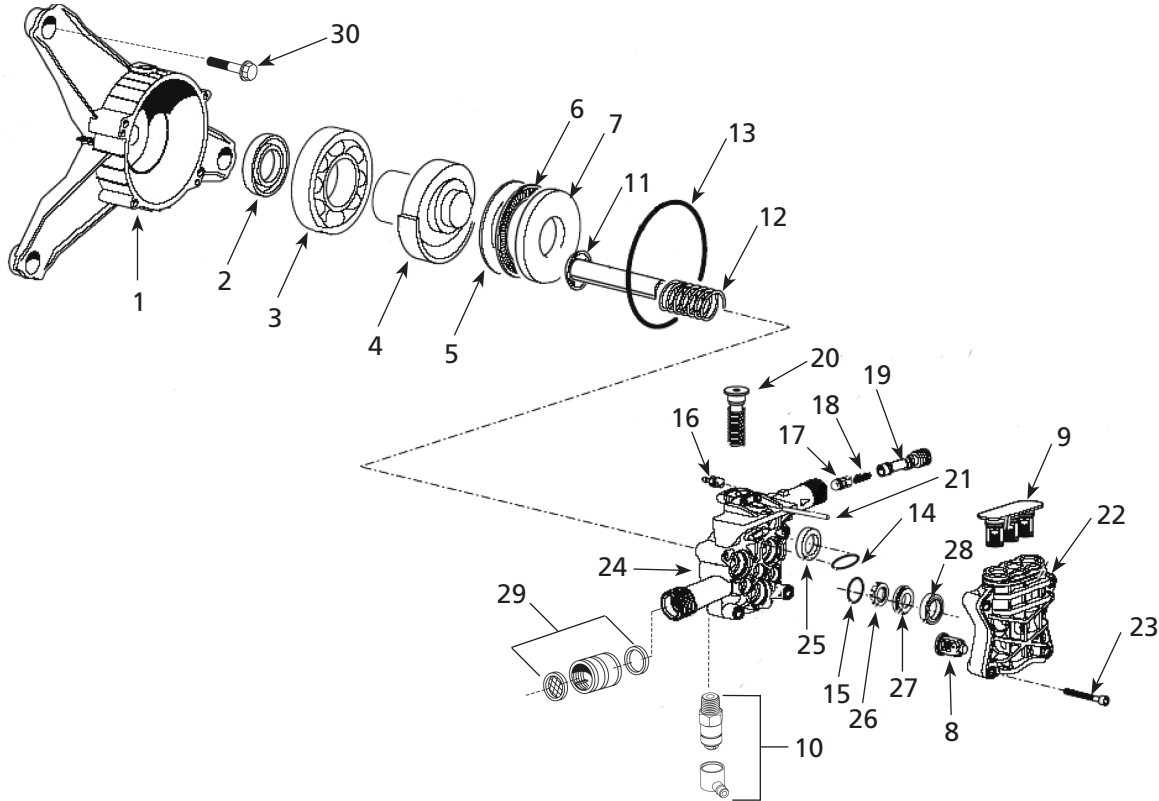
**For replacement parts or technical assistance, Call 1-800-330-0712**

Please provide following information:

- Model number
- Serial number (if any)
- Part description and number as shown in parts list

Address any correspondence to:

Campbell Hausfeld  
 Attn: Customer Service  
 100 Production Drive  
 Harrison, OH 45030 U.S.A.



Ref. No.	Description	Part Number	Qty.
1	Pump Housing	●	0
2	Oil Seal Ring	●	0
3	Bearing	●	0
4	Wobble Plate	●	0
5	Thrust Shoe	■	1
6	Ball Bearing	■	1
7	Bearing Disk	■	1
8	Suction Valve Assembly	▲	3
9	High Pressure Valve Assembly	▲	1
10	Thermal Relief Valve	PM345016SJ	1
11	Piston	▼	3
12	Piston Spring	▼	3
13	O-Ring - 67 x 2.5	◆	1
14	O-Ring - 17 x 3 x 2.62	◆	1
15	O-Ring - 11.1 x 1.78	◆	3
16	Hose Barb	○	1
17	Unloader Valve Assembly	○	1
18	Spring	○	1
19	Chemical Injector Assembly	○	1
20	Compensation Valve Assembly	□	1
21	Pin	□	2
22	Head, Brass	PM270305SV	1
23	Head Bolt	PM345213SV	1

Ref. No.	Description	Part Number	Qty.
24	Piston Guide Body	PM270306SV	1
25	Oil Seal Ring	△	3
26	Oil Seal Spacer	△	3
27	Seal Ring Seat	△	3
28	Water Seal	△	3
29	Brass Swivel Assembly	PM041360SJ	1
30	Engine Mounting Bolt	MJ102302AV	1

**Replacement Kits**

●	Housing Assembly	—
■	Ball Bearing Assembly	PM270300SV
▲	Valve Assembly	PM270301SV
▼	Piston Kit	PM270302SV
◆	O-ring Kit	PM270303SV
○	Detergent Injector Kit	PM270210SV
□	Unloader Assembly Kit	PM270304SV
△	Seal Kit	PM270307SV

**Torque Specifications (in-lbs)**

Ref. No.	Description	Torque
10	Thermal relief valve	110
23	Head Bolt	110
16	Hose Barb Torque	100

Oil capacity: 2.7 fl. oz.  
 Oil type: SAE 30W (non-detergent)

**Replacement Parts List — Vertical Shaft Pressure Washer**

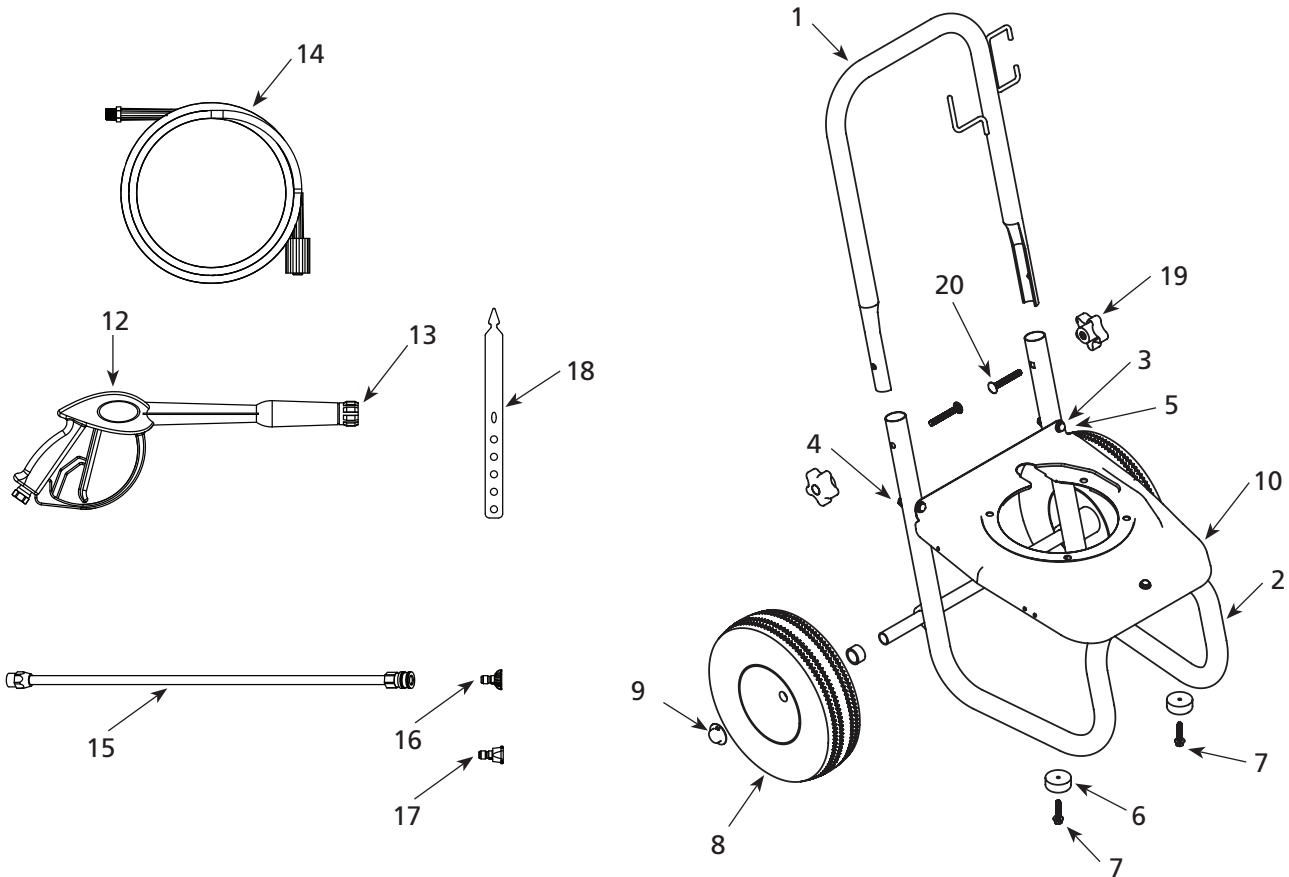
**For replacement parts or technical assistance, Call 1-800-330-0712**

Please provide following information:

- Model number
- Serial number (if any)
- Part description and number as shown in parts list

Address any correspondence to:

Campbell Hausfeld  
 Attn: Customer Service  
 100 Production Drive  
 Harrison, OH 45030 U.S.A.



Ref. No.	Description	Part No.	Qty.
1	Handle tube	PM344777SJ	1
2	Frame	PM344765SJ	2
3	Flat washer *	PM002000AV	6
4	1/4 inch - 20 nylon lock nut *	ST073808AV	3
5	1/4 inch - 20 bolt (base) *	PM001902AV	3
6	Rubber bumper	AL062300AV	2
7	1/4 inch - 20 x 3/4 self tapping screw *	MJ102100AV	2
8	Wheel	WA005621AV	2
9	Pushnut (2)	PM344775SJ	2
10	Baseplate	PM344725JJ	1
11	Detergent tube (not shown)	PM013800AV	1
12	Gun	PM005140AV	1
13	O-ring (gun) (not shown)	PM245800SV	1
14	Hose	PM005015AV	1
15	Lance	PM035120AV	1

Ref. No.	Description	Part No.	Qty.
16	Tip, 15° (yellow)	PM039696AV	1
17	Tip, 65° (green)	PM039820AV	1
18	Holder, QC Tip	PM344304AV	1
19	Star Knob (2 pcs.)	PM344773SJ	2
20	Carriage Bolt (2 pcs.)	PM344774SJ	2

\* Item available at local hardware store

**Tip Accessories Available for PW2570:  
(Not supplied with unit)**

Tip, 0° (Red)	PM039695AV
Tip, 25° (Green)	PM039697AV
Tip, 40° (White)	PM039698AV

## Troubleshooting Chart - Gasoline Powered Pressure Washers Only

Symptom	Possible Cause(s)	Corrective Action
Engine will not start or is hard to start	<ol style="list-style-type: none"> <li>1. No gasoline in fuel tank or carburetor</li> <li>2. Low oil</li> <li>3. Start/Stop switch in stop position</li> <li>4. Water in gasoline or old fuel</li> <li>5. Dirty air cleaner filter</li> <li>6. Spark plug dirty, wrong gap or wrong type</li> <li>7. Spray gun closed</li> <li>8. Other causes</li> </ol>	<ol style="list-style-type: none"> <li>1. Fill the tank with gasoline, open fuel shut off valve. Check fuel line and carburetor</li> <li>2. Check oil level. Fill if necessary</li> <li>3. Move switch to start position</li> <li>4. Drain fuel tank and carburetor. Use new fuel and dry spark plug</li> <li>5. Remove and clean or replace</li> <li>6. Clean, adjust the gap, or replace</li> <li>7. Trigger spray gun</li> <li>8. See engine owner's manual</li> </ol>
Engine misses or lacks power	<ol style="list-style-type: none"> <li>1. Partially plugged air cleaner filter</li> <li>2. Spark plug dirty, wrong gap or wrong type</li> </ol>	<ol style="list-style-type: none"> <li>1. Remove and clean or replace</li> <li>2. Clean, adjust the gap, or replace</li> </ol>
Low pressure and/or pump runs rough	<ol style="list-style-type: none"> <li>1. Worn or wrong size tip</li> <li>2. Inlet filter on pump clogged</li> <li>3. Worn water seals, abrasives in water, or natural wear</li> <li>4. Fouled or dirty inlet or discharge valves</li> <li>5. Restricted inlet</li> <li>6. Worn inlet or discharge valves</li> <li>7. Leaking high pressure hose</li> <li>8. Pump drawing in air</li> <li>9. Unloader valve seat faulty or worn</li> </ol>	<ol style="list-style-type: none"> <li>1. Replace with tip of proper size</li> <li>2. Clean. Check more frequently</li> <li>3. Check filter. Replace water seals. See service center</li> <li>4. Clean inlet and discharge valve assemblies. Check filter</li> <li>5. Check garden hose, may be collapsed or kinked. Check inlet water flow</li> <li>6. Replace worn valves</li> <li>7. Replace high pressure hose</li> <li>8. Ensure hoses and fittings are tight</li> <li>9. Check and replace</li> </ol>
Water leakage from under pump manifold	Worn water seals	Install new water seals. See service center
Water in pump crankcase (milky oil)	<ol style="list-style-type: none"> <li>1. Humid air condensing inside crankcase</li> <li>2. Oil seals leaking</li> </ol>	<ol style="list-style-type: none"> <li>1. Change oil as specified in maintenance schedule</li> <li>2. Install new oil seals. See service center</li> </ol>
Frequent or premature failure of the pump water seals	<ol style="list-style-type: none"> <li>1. Scored damaged or worn plungers</li> <li>2. Abrasive material in the fluid</li> <li>3. Inlet water temperature too high</li> <li>4. Overpressurizing pump</li> <li>5. Excessive pressure due to partially plugged or damaged tip</li> <li>6. Pump running too long without spraying</li> <li>7. Pump running dry</li> </ol>	<ol style="list-style-type: none"> <li>1. Install new plungers. See service center</li> <li>2. Install proper filtration on pump inlet plumbing</li> <li>3. Check water temperature; may not exceed 100° F.</li> <li>4. Do not modify any factory set adjustments.</li> <li>5. Clean or replace tip.</li> <li>6. Never run pump more than 2 minutes without spraying</li> <li>7. Do not run pump without water</li> </ol>
Strong surging at the inlet and low pressure	Foreign particles in the inlet or discharge valve or worn inlet and/or discharge valves	Clean or replace valves. See service center
Oil leakage between the engine and the pump	Worn oil seals and/or o-ring	Replace oil seals and/or o-ring. See service center
Fluctuating pressure	<ol style="list-style-type: none"> <li>1. Valve worn, dirty or stuck</li> <li>2. Pump drawing in air</li> <li>3. Tip clogged</li> </ol>	<ol style="list-style-type: none"> <li>1. Check and replace</li> <li>2. Ensure hoses and fittings are tight. Purge air from garden hose</li> <li>3. Check or replace</li> </ol>
Pressure drops after period of normal use	<ol style="list-style-type: none"> <li>1. Worn pump water seals</li> <li>2. Nozzle worn</li> <li>3. Valve worn, dirty or stuck</li> <li>4. Unloader valve seat worn or dirty</li> </ol>	<ol style="list-style-type: none"> <li>1. Check and replace</li> <li>2. Check and replace</li> <li>3. Check, clean or replace</li> <li>4. Check, clean or replace</li> </ol>
Pump noisy / pump runs rough	<ol style="list-style-type: none"> <li>1. Pump drawing in air/low water supply</li> <li>2. Valves dirty or worn</li> <li>3. Worn bearings</li> <li>4. Water too hot</li> </ol>	<ol style="list-style-type: none"> <li>1. Ensure fittings are tight. Increase water pressure</li> <li>2. Check, clean or replace</li> <li>3. Check and replace</li> <li>4. Reduce temperature below 100° F</li> </ol>
Pressure washer will not spray detergent	<ol style="list-style-type: none"> <li>1. Nozzle not pushed up far enough</li> <li>2. Clog, kink, or hole in detergent suction hose</li> <li>3. Hose length too long</li> <li>4. Lance not functioning properly</li> </ol>	<ol style="list-style-type: none"> <li>1. Push nozzle forward as far as it will go.</li> <li>2. If clean, unkink or replace hose.</li> <li>3. Use only hose length provided with initial purchase of pressure washer. Detergent suction will not function if more than once section of hose is attached to unit.</li> <li>4. Remove lance from gun. If detergent is dispensed through gun, the lance must be replaced. If not detergent is dispensed through gun, remove 1 inch tapered detergent barb from pump. Clean the barb, and make sure that ball and spring are properly aligned with tapered portion of the spring facing the ball. The ball should be on top of the spring.</li> </ol>



### LIMITED WARRANTY

1. DURATION: From the date of purchase by the original purchaser as follows: Three Years.
2. WHO GIVES THIS WARRANTY (WARRANTOR): Campbell Hausfeld / Scott Fetzer Company, 100 Production Drive, Harrison, OH 45030, Telephone: 1-800-330-0712.
3. WHO RECEIVES THIS WARRANTY (PURCHASER): The original purchaser (other than for purposes of resale) of the Campbell Hausfeld pressure washer.
4. WHAT PRODUCTS ARE COVERED UNDER THIS WARRANTY: Any Campbell Hausfeld Pressure Washer supplied or manufactured by the Warrantor.
5. WHAT IS COVERED UNDER THIS WARRANTY: Substantial defects on material and workmanship which occur within the duration of the warranty period with the exceptions noted below.
6. WHAT IS NOT COVERED UNDER THIS WARRANTY:
  - A. Implied warranties, including those of merchantability and FITNESS FOR A PARTICULAR PURPOSE ARE LIMITED FROM THE DATE OF ORIGINAL PURCHASE AS STATED IN THE DURATION. Some states do not allow limitation on how long an implied warranty lasts, so the above limitations may not apply to you.
  - B. ANY INCIDENTAL, INDIRECT, OR CONSEQUENTIAL LOSS, DAMAGE, OR EXPENSE THAT MAY RESULT FROM ANY DEFECT, FAILURE, OR MALFUNCTION OF THE CAMPBELL HAUSFELD pressure washer. Some States do not allow the exclusion or limitation of incidental or consequential damages, so the above limitation or exclusion may not apply to you.
  - C. Any failure that results from shipping damage, accident, purchaser's abuse, neglect or failure to install and operate pressure washer in accordance with instructions provided in the owner's manual(s) supplied with product.
  - D. Pre-delivery service, i.e. assembly, oil or lubricants and adjustment.
  - E. Items or service normally required to maintain the pressure washer.
  - F. Gasoline engine and components are expressly excluded from coverage under this limited warranty. Such components should be returned by the purchaser to the original manufacturer or to its authorized repair stations for service.
  - G. Additional items not covered under the warranty:
    1. Normal wear items such as high pressure hoses, water and oil seals, o-rings, valves, lances and spray tips.
    2. Motor brushes (Electric models only).
    3. Cosmetic defects that do not interfere with functionality.
    4. Rusted components.
    5. Pump wear or valve damage caused by using improper oil, oil contamination or by failure to follow proper oil maintenance guidelines.
7. RESPONSIBILITIES OF WARRANTOR UNDER THIS WARRANTY: Repair or replace, at Warrantor's option, pressure washer or component which is defective, has malfunctioned and/or failed to conform within duration of the warranty period.
8. RESPONSIBILITIES OF PURCHASER UNDER THIS WARRANTY:
  - A. Provide dated proof of purchase and maintenance records.
  - B. Deliver or ship the Campbell Hausfeld pressure washer or component to nearest Campbell Hausfeld Authorized Service Center. Freight costs, if any, must be borne by the purchaser.
  - C. Use reasonable care in the operation and maintenance of the pressure washer as described in the owner's manual(s).
9. WHEN WARRANTOR WILL PERFORM REPAIR OR REPLACEMENT UNDER THIS WARRANTY: Repair or replacement will be scheduled and serviced according to the normal work flow at the servicing location, and depending on the availability of replacement parts.

This Limited Warranty applies in the U.S., Canada and Mexico only and gives you specific legal rights. You may also have other rights which vary from state to state or country to country.





**CAMPBELL  
HAUSFELD®**

# Lavadoras a Presión con Motor a Gasolina

Manual de Instrucciones y Lista de Piezas

PW2570

Sírvase registrar el N° de modelo y el N° de serie para usarlo cuando se ponga en contacto con el fabricante:

Modelo N° \_\_\_\_\_ Fecha de compra \_\_\_\_\_

Serie N° \_\_\_\_\_ Lugar de compra \_\_\_\_\_

*Para mayor información sobre este producto, comuníquese con el distribuidor de Campbell Hausfeld más cercano a su domicilio*

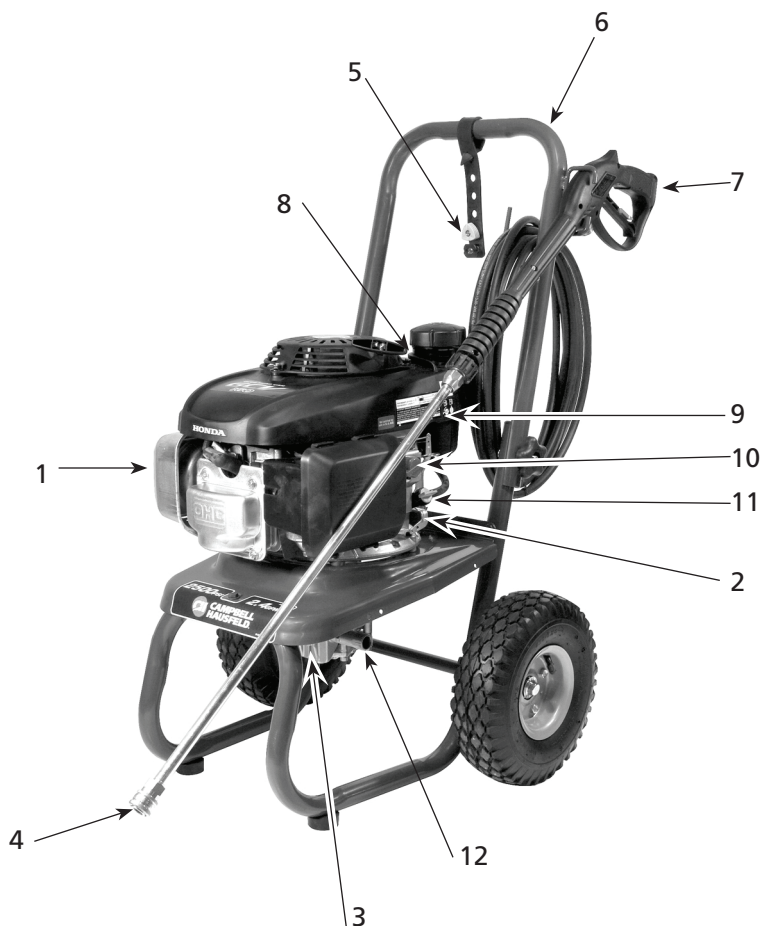


Modelo PW2570

Índice	Página
Conozca su lavadora a presión .....	18
Preguntas formuladas con frecuencia.....	19
Información de advertencia y seguridad .....	20
Antes de Poner en Funcionamiento .....	21
Funcionamiento .....	23
Información técnica y mantenimiento .....	26
Registro de servicio.....	27
Lista De Repuestos	
• Bomba .....	28
• Carro .....	29
Tabla diagnóstico de averías .....	30
Garantía.....	32

**LEA ATENTAMENTE ESTAS INSTRUCCIONES Y  
COMPRÉNDALAS ANTES DE PONER EN FUNCIONAMIENTO SU  
LAVADORA A PRESIÓN**

**RECORDATORIO: ¡Guarde su comprobante de compra con fecha para fines de la garantía!  
Adjúntela a este manual o archívela en lugar seguro.**



### PW2570

- |  |  |
|--|--|
| 1 Silenciador  | 7 Pistola con gatillo  |
| 2 Ubicación del número de serie/etiqueta adhesiva del producto | 8 Tanque de combustible  |
| 3 (Bomba) conexión de entrada para la manguera de jardín       | 9 Toma de aire   |
| 4 Lanza con conexión rápida                                    | 10 Interruptor de encendido/apagado (on/off) del motor         |
| 5 Soporte para boquilla con boquillas de pulverización         | 11 Válvula del combustible abierto/cerrado (on/off)            |
| 6 Mango  | 12 (Bomba) conexión de salida para la manguera de alta presión |

## Preguntas formuladas con frecuencia

### ¿Cómo enciendo mi lavadora a presión?

1. Asegúrese de que tiene gasolina y aceite en el motor.  
El motor SE ENTREGA SIN ACEITE.
2. Abra el pase de agua, luego presione el gatillo para asegurarse de que el agua fluya con facilidad desde la boquilla.
3. Abra la válvula de cierre de combustible girando la perilla en sentido antihorario hasta que llegue al tope.
4. Cierre la toma de aire (si el motor está frío) moviendo el anillo de la toma de aire totalmente a la derecha.
5. Coloque la válvula de cierre de combustible en "ON" (abierto).
6. Hale el gatillo (para aliviar toda retropresión de la bomba) mientras hala el cordón de arranque.

### ¿Qué tipo de aceite uso?

EL MOTOR SE ENTREGA SIN ACEITE. Vea la página Sp 26 para los tipos y cantidades de aceite y las instrucciones para los cambios de aceite.

Bomba: La bomba se entrega con la cantidad correcta de aceite y no debe necesitar cambios o cantidades adicionales.

### ¿Por qué no tengo presión de agua? ¿Por qué no tengo presión de agua?

- ¿La manguera de agua está conectada a la lavadora a presión?
- ¿Está abierta el agua?
- Verifique si hay algún pliegue, pérdida u obstrucción en las mangueras, accesorios o en la boquilla.
- ¿La boquilla de 15° (amarilla) ha sido insertada en el extremo de la lanza (ver página Sp 24)?
- Revise la rejilla del filtro de entrada para verificar si tiene residuos.

### ¿Cómo consigo presión alta?

- Para alta presión, inserte la boquilla de 15° (amarilla) en el extremo de la lanza (ver página Sp 24).

### ¿Cómo hago para que funcione la succión de jabón?

1. Conecte el tubo de plástico transparente al conector dentado de la bomba (ver Figura 2 en la página 21).
2. Introduzca el otro extremo del tubo transparente con el filtro en el recipiente del detergente.
3. Instale la boquilla de pulverización negra para aplicar detergente a baja presión.

### no aplica detergentes con presión alta?

Los detergentes "resbalan" de las superficies de limpieza tan pronto como se apliquen. Las características de la lavadora de presión permiten que el detergente se succione sólo en el modo de presión baja. Aplicando el detergente en baja presión, se reduce el efecto de "resbalamiento". Además, los detergentes son eficaces cuando se permite un tiempo de contacto para que trabajen en la superficie de lo que se quiera limpiar. Después de aplicar el detergente, deje que trabaje de 1 a 3 minutos, y luego proceda a enjuagar la superficie con alta presión.

### ¿Qué tipo de mantenimiento debo realizar en mi lavadora a presión?

1. Después de apagar la lavadora a presión y el agua, despresurice la manguera presionando el gatillo de la pistola.
2. Quite la manguera de jardín y la manguera de alta presión de la bomba.
3. Tire del cordón de encendido lentamente cinco veces para purgar el agua de la bomba. Esto ayudará a proteger a la bomba contra los daños.
4. No guarde su lavadora a presión en un área en la que la temperatura pueda descender a menos de 0° C.
5. Siga las instrucciones para el almacenamiento y preparación invernal adecuados, en pág. Sp 25.

### ¿Qué hago si me falta una pieza?

Llame a Campbell Hausfeld al 1-800-330-0712 y reemplazaremos rápidamente las piezas faltantes.  
**¡NO DEVUELVA LA LAVADORA DE PRESIÓN AL COMERCIANTE!**

### ¿Dónde puedo comprar accesorios para mi lavadora a presión?

- Para mayor información sobre este producto, comuníquese con el distribuidor de Campbell Hausfeld más cercano a su domicilio.

### ¿A quién llamo si tengo preguntas o problemas?

Llame a Campbell Hausfeld al  
**1-800-330-0712 (U.S.A.)**

## Información de Advertencia y seguridad

### Medidas de seguridad

Este manual contiene información que es muy importante que sepa y comprenda. Esta información se la suministramos como medida de SEGURIDAD y para EVITAR PROBLEMAS CON EL EQUIPO. Debe reconocer los siguientes símbolos.

**⚠ PELIGRO** Peligro indica que hay una situación de peligro inminente que si no se evita, le OCASIONARÁ la muerte o heridas de gravedad.

**⚠ ADVERTENCIA** Advertencia le indica que hay una situación potencialmente peligrosa que, si no evita le PODRÍA ocasionar la muerte o heridas graves.

**⚠ PRECAUCION** Precaución le indica que hay una situación potencialmente peligrosa que si no se evita PUEDE ocasionarle lesiones moderadas o menores.

**AVISO** Aviso le indica que se trata de información importante que de no seguirla le podría ocasionar daños al equipo.

**NOTA:** Información que requiere atención especial.

### PROPOSICIÓN DE CALIFORNIA 65

**⚠ ADVERTENCIA** Este producto, o su cordón eléctrico, contiene productos químicos conocidos por el estado de California como causantes de cáncer y defectos de nacimiento u otros daños reproductivos. Lave sus manos minuciosamente después de usar.

### Instrucciones de Seguridad Importantes

#### GUARDE ESTAS INSTRUCCIONES

#### ⚠ ADVERTENCIA

Cuando use este producto, siempre debe cumplir con las precauciones básicas, incluyendo lo siguiente:

1. Lea todas las instrucciones antes de usar el producto.
2. Para reducir el riesgo de lesión, es necesario una supervisión atenta cuando el producto se utiliza cerca de los niños.
3. Cumpla con todos los códigos de seguridad así como también con la Ley sobre salud y seguridad ocupacional (OSHA).
4. Asegúrese de que los dispositivos de seguridad estén funcionando adecuadamente antes de cada uso. NO quite ni modifique ninguna pieza de la pistola o de la unidad.
5. Aprenda cómo detener este producto y purgar la presión rápidamente. Familiarícese con los controles.
6. Permanezca alerta, mire lo que está haciendo.
7. No haga funcionar este producto cuando esté fatigado o bajo la influencia de alcohol o fármacos.
8. Mantenga el área de funcionamiento sin personas.
9. No se estire ni se pare en apoyos inestables. Mantenga un buen apoyo y equilibrio en todo momento.
10. Siga las instrucciones de mantenimiento especificadas en el manual.

**⚠ ADVERTENCIA** Riesgo de inyección o lesión severa. Mantenga la boquilla libre. No apunte los chorros a las personas. Este producto debe ser usado sólo por operadores capacitados. Siempre quite la lanza de la pistola antes de limpiar restos de la punta.

- Manténgase alejado de la boquilla. NUNCA dirija el rociado de alta presión a otra persona, animal o a sí mismo.
- Use siempre gafas protectoras y equipo de protección (protección para los oídos, guantes, botas de goma, vestimenta protectora) cuando haga funcionar o le haga el mantenimiento a la máquina.

- Nunca ponga su mano ni sus dedos sobre la punta de rociado mientras la unidad está en funcionamiento.
- Nunca intente detener o desviar pérdidas con ninguna parte de su cuerpo.
- Siempre coloque el seguro del gatillo en la posición de seguridad cuando deja de rociar, incluso si se detiene sólo por unos momentos.
- Siempre siga las recomendaciones que aparecen en la etiqueta del fabricante del detergente. Protéjase siempre los ojos, la piel y el sistema respiratorio contra el uso del detergente.

**⚠ ADVERTENCIA** No use una presión que exceda la presión de funcionamiento de cualquiera de las piezas (mangueras, accesorios, etc.) del sistema presurizado. Asegúrese de que todo el equipo y los accesorios estén clasificados para soportar la presión de funcionamiento máxima de la unidad.

**⚠ ADVERTENCIA** Peligro de explosión.

- NUNCA rocíe líquidos inflamables ni utilice la lavadora a presión en áreas que contengan polvos, líquidos o vapores combustibles.
- Nunca haga funcionar esta máquina en un edificio cerrado o en un ambiente que presente riesgo de explosión o próximo al mismo.
- No quite la tapa del tanque de combustible ni llene el tanque de combustible mientras el motor está caliente o en funcionamiento (permita que el motor se enfríe durante dos minutos antes de volver a cargarlo). Siempre llene el tanque lentamente.
- Nunca desconecte la manguera de descarga de alta presión de la máquina mientras el sistema está presurizado. Para despresurizar la máquina, apague la fuente de energía y cierre el suministro de agua, luego presione el gatillo de la pistola 2 ó 3 veces.
- Nunca trabe permanentemente el mecanismo de gatillo de la pistola.
- Nunca haga funcionar la máquina sin todos los componentes adecuadamente conectados a la máquina (mango, ensamblaje de la pistola / varilla, boquilla, etc.).

**AVISO** Daño al equipo.

- SIEMPRE ABRA el suministro de agua antes de ENCENDER la lavadora de presión. Hacer funcionar la bomba en seco provocará daños graves.
- No haga funcionar la lavadora a presión sin la pantalla de agua de entrada. Mantenga la pantalla libre de restos y sedimentos.
- NUNCA haga funcionar la lavadora a presión con piezas rotas o faltantes. Revise el equipo con regularidad y repare o reemplace inmediatamente las piezas desgastadas o dañadas.
- Use sólo la boquilla que se proporciona con esta máquina.
- Nunca deje la varilla sin atención mientras la máquina está funcionando.
- Nunca intente modificar el controlador del motor ni intente alterar el ajuste de fábrica. La alteración del ajuste de fábrica puede dañar la unidad y anulará la garantía.
- Siempre sostenga la pistola y la varilla con firmeza cuando inicie y maneje la máquina.
- NUNCA permita que la unidad funcione con el gatillo suelto (sin activar) durante más de un minuto. El calor resultante se acumulará y dañará la bomba.

## Información de Advertencia y seguridad (Continuación)

- NUNCA guarde la lavadora a presión a la intemperie o en un lugar donde pueda congelarse. Las temperaturas por debajo del punto de congelamiento pueden dañar seriamente la bomba.
- Libere el gatillo cuando cambie entre los modos de alta y baja presión. Si no lo hace puede dañar la boquilla.

**⚠ PRECAUCIÓN** Mantenga la boquilla alejada de objetos filosos. Las mangueras que explotan pueden causar lesiones. Inspeccione regularmente las mangueras y reemplácelas si están dañadas. No intente reparar una manguera dañada.

## Antes de Poner en Funcionamiento

### DESEMPACADO

Retire el equipo y todas las piezas de la caja. La caja debe contener lo siguiente:

- Una lavadora a presión (bomba, motor, base del carro)
- Un ensamblaje para el mango del carro
- Una pistola rociadora
- Una lanza
- Un soporte para boquilla con 2 boquillas. *Por boquillas adicionales para la venta, ver página Sp 29*
- Una manguera de alta presión
- Un paquete con tuercas, pernos y manuales

Si falta alguna pieza, **NO DEVUELVA LA UNIDAD AL REVENDEDOR**. Conozca el número de modelo de la unidad (ubicado en la etiqueta del número de serie en el marco de la lavadora a presión). Llame a Campbell Hausfeld al 1-800-330-0712 (U.S.A.).

Después de desempacar el producto, inspecciónelo detenidamente para detectar cualquier daño que pueda haber ocurrido durante su traslado. Asegúrese de ajustar todos los accesorios y tuercas antes de usar la lavadora a presión.

**⚠ ADVERTENCIA** No ponga en funcionamiento la unidad si se dañó durante el envío, la manipulación o el uso. Un daño puede dar como resultado una explosión y causar lesiones o daño a la propiedad.

### ENSAMBLAJE

1. Deslice el ensamblaje del mango sobre las patas inferiores de la base del carro. Utilice la tuerca y el perno estándar para asegurar la pata trasera derecha. Vea la Figura 1.

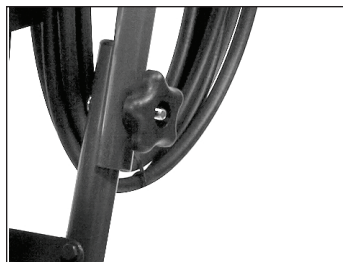


Figura 1 – Ensamblaje del mango

2. **Adaptador giratorio de bronce** (vea la Figura 2). Si ya no está conectado a la entrada de la bomba, arme el eslabón adaptador y conéctelo a la entrada de la bomba (Figura 3 y Figura 4). Asegúrese de conectar el lado correcto del eslabón adaptador a la bomba.
3. Asegure la manguera de jardín (no se incluye) a la conexión de entrada de la bomba.
4. Conecte la manguera de alta presión a la salida de la bomba (vea las Figuras 2 y 5).

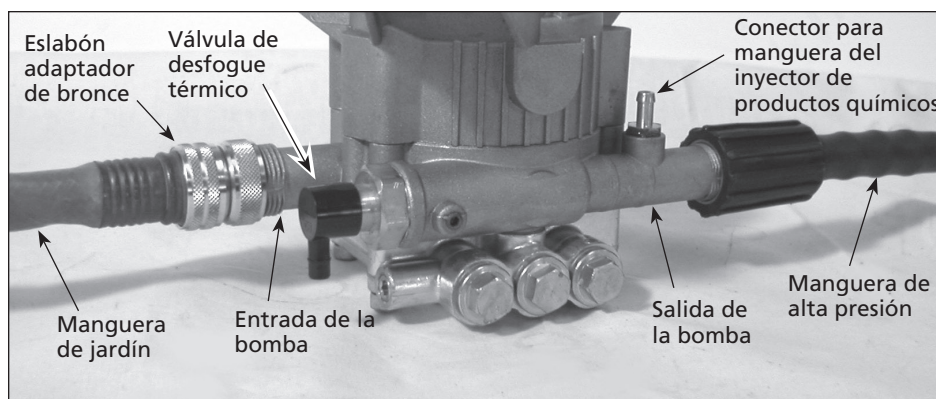


Figura 2 - Conexión de la bomba

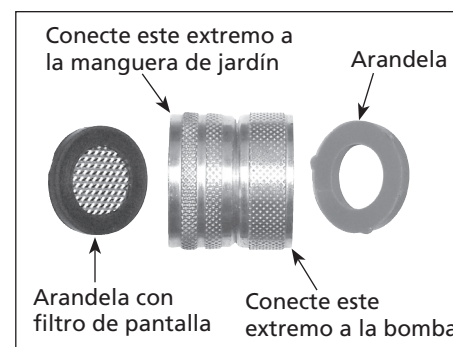


Figura 3 - Eslabón adaptador de bronce

## Antes de Poner en Funcionamiento (Continuación)

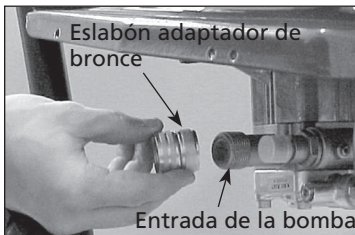


Figura 4 - Conecte el eslabón adaptador a la bomba

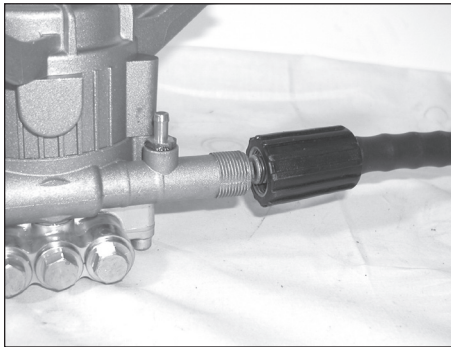


Figura 5 - Conecte la manguera de alta presión a la bomba

5. Conecte la lanza con la boquilla a la pistola (vea la Figura 6).

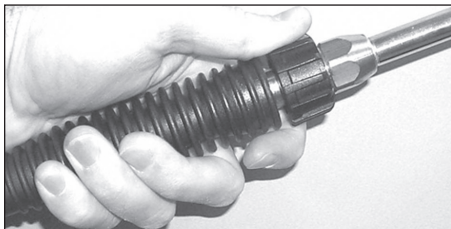


Figura 6 - Conecte la lanza a la pistola

6. Instale la boquilla de conexión rápida halando hacia atrás el anillo retráctil y presione la boquilla hacia adentro. Suelte el anillo, asegúrese de que vuelva por completo a su posición hacia adelante y que la boquilla quede firmemente insertada (ver figura 7).



Hale el anillo retráctil hacia atrás

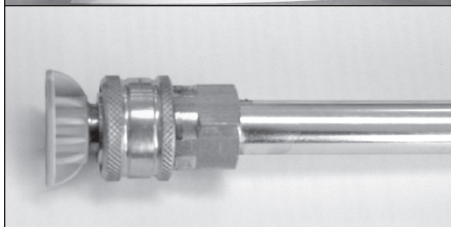


Figura 7 - Instalación de la boquilla de conexión rápida

7. Instale las boquillas de conexión rápida en el soporte para boquillas y sujételo al mango de la lavadora a presión. Vea la figura 8.



Figura 8 - Inserte las boquillas de pulverización en el soporte de caucho

### SEGURO DEL GATILLO

En la posición de trabado, el seguro evita que la pistola se dispare accidentalmente. Presione el seguro totalmente hacia arriba para destrabarlo (Ver Figura 9).

Siempre trabe el seguro del gatillo cuando la unidad no se está usando.

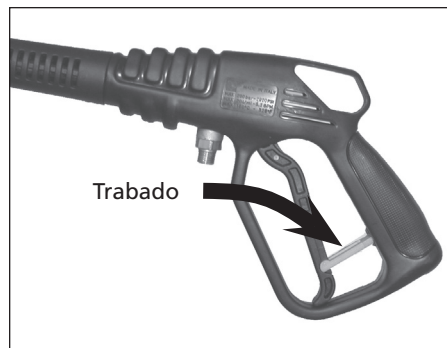


Figura 9a - Gatillo trabado

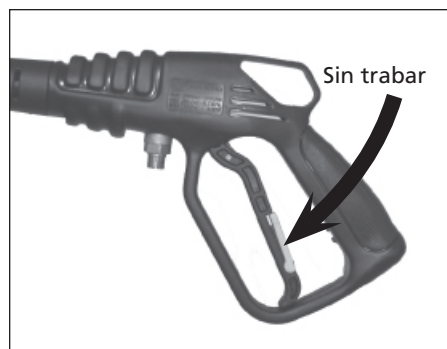


Figura 9b - Gatillo sin trabar

## Funcionamiento

### 1. PREPARACIÓN DE LA SUPERFICIE

El siguiente procedimiento de limpieza le ayudará a organizar su tarea de limpieza y asegura que logrará el mejor resultado en la menor cantidad de tiempo. Recuerde usar las técnicas de rociado/ limpieza que se mencionan en las secciones siguientes.

Antes de comenzar un trabajo de limpieza de lavado a presión, prepare la superficie que pretende limpiar. Despeje el mobiliario del área y asegúrese de que todas las ventanas y puertas estén bien cerradas. Además proteja todas las plantas y árboles próximos al área de limpieza cubriéndolos con una tela. Al cubrirlos se asegura que sus plantas no sean rociadas con los detergentes.

### 2. ENCENDIDO

SIEMPRE use este procedimiento de encendido para asegurarse de que la unidad sea iniciada adecuadamente y con seguridad.

#### AVISO

*Si el agua se ha congelado en la lavadora a presión, descongele la lavadora a presión en una habitación templada antes de encenderla. NO vierta agua caliente sobre o dentro de la bomba; esto puede dañar las piezas interiores.*

1. Verifique los niveles de aceite del motor. Agregue aceite según sea necesario.
2. Revise el nivel de combustible.

#### ADVERTENCIA

*No agregue combustible a un motor caliente. Recargar combustible en un motor caliente puede causar un incendio. Use sólo gasolina sin uso, limpia, regular o sin plomo. Cierre la válvula de corte de combustible durante la recarga.*

3. Conecte una manguera de jardín al lado interno de la bomba y conéctela al suministro de agua. Utilice una manguera con un diámetro interior de 15,9 mm (5/8 inch) y un largo de 15 m (50 pies) o menos.

#### AVISO

*Algunos códigos locales de plomería exigen una prevención de retroceso cuando se realiza una conexión a un suministro de agua fresca. Instale un dispositivo para evitar el retroceso del flujo de agua de la bomba si fuera necesario.*

- a. Si la presión de entrada de agua es superior a 6,90 bar, instale una válvula reguladora de agua en la conexión de la manguera de jardín.
- b. No supere una temperatura de entrada de agua de 38° C (100°F).

**NOTA:** El suministro de agua de entrada debe tener una velocidad mínima de flujo de 19 lpm.

4. ABRA el suministro de agua.

#### AVISO

*Nunca haga funcionar la unidad sin agua. Asegúrese de que el suministro de agua esté totalmente abierto antes de hacer funcionar la unidad.*

5. Hale el gatillo de la pistola hasta que pulverice el agua suavemente de la boquilla indicando que todo el aire ha sido purgado del sistema. Trabe el seguro del gatillo.
6. Abra la válvula del combustible girando la perilla en sentido antihorario hasta que llegue al tope. Cierre la toma de aire (si el motor está frío) moviendo el anillo

de la toma de aire totalmente a la derecha. Coloque el interruptor de encendido en la posición "ON" (encendido).

7. Encienda el motor. Destrahe el seguro del gatillo en la pistola (Ver Figura 9). Tome el cordón de encendido y coloque un pie sobre el armazón. Apunte la pistola en una dirección segura. Mientras presiona el gatillo en la pistola, tire del cordón de encendido con un movimiento rápido y firme (Ver Figura 10). Continúe sosteniendo el cordón cuando regrese. Repita estos pasos hasta que el motor se encienda.



Figura 10 - Encienda el motor

#### PRECAUCION

*Cuando tire del cordón de encendido, asegúrese de mantener sus manos y brazos alejados del motor y de los componentes del carro.*

#### AVISO

*Nunca deje que el cordón de encendido regrese por sí solo. Hacer esto podría trabar el sistema de retroceso.*

8. Si el motor no se enciende después de tirar tres veces o si el cordón está demasiado duro para tirarlo, apriete el gatillo de la pistola y libere la presión acumulada en la manguera de alta presión. Repita los pasos 7 y 8 hasta que se encienda el motor.

### 3. ENJUAGUE INICIAL DE ALTA PRESIÓN

Rocíe la superficie a limpiar con agua para quitar la suciedad o las manchas que puedan haberse acumulado sobre la superficie. Hacer esto permite que el detergente ataque la suciedad profunda que se ha introducido dentro de la superficie a limpiar.

#### ÁNGULO CON RESPECTO A LA SUPERFICIE A LIMPIAR

Cuando rocíe agua contra una superficie, puede generar un impacto máximo al apuntar a la superficie en un ángulo perpendicular. Sin embargo, este tipo de impacto puede causar que las partículas de suciedad se incrusten en la superficie evitando así que se logre la acción deseada.

El mejor ángulo para rociar el agua contra la superficie de limpieza es de 45°.

Rocíe agua contra una superficie en un ángulo de 45 grados para lograr el impacto de mayor beneficio y quitar de esta forma los restos eficientemente.

## Funcionamiento (Continuación)



Figura 11 - Mejor ángulo de limpieza de superficies

### DISTANCIA A LA SUPERFICIE DE LIMPIEZA

La distancia entre la boquilla de rociado y la superficie de limpieza es otro factor que afecta la fuerza de impacto del agua. La fuerza de impacto del agua aumenta a medida que la boquilla se acerca a la superficie.

### CÓMO EVITAR DAÑOS A LA SUPERFICIE

El impacto del agua excede la resistencia de la superficie. Puede variar la fuerza de impacto variando el ángulo de la boquilla de pulverización con la superficie de limpieza, la distancia de la superficie, y cambiando la boquilla. NUNCA utilice un chorro angosto de alto impacto sobre una superficie propensa a ser dañada. Evite rociar las ventanas con un chorro angosto de alto impacto. Hacer esto puede quebrar la ventana. La forma más segura de evitar dañar las superficies es seguir estos pasos:

1. Antes de halar el gatillo de la pistola, asegúrese de que la boquilla que está usando es apropiada para el uso.
2. Coloque la boquilla aproximadamente a 4-5 pies (1,22 – 1,52 m) de distancia de la superficie de limpieza. Luego sostenga la boquilla en un ángulo de 45 grados con respecto a la superficie de limpieza. Hale el gatillo.
3. Varíe el ángulo de rociado del patrón de abanico y la distancia a la superficie de limpieza hasta que se logre una eficiencia de limpieza óptima sin dañar la superficie.

El color de la punta muestra cuál ángulo de rociado es:

**Rojo – 0° - Máximo trabajo pesado \***

**Amarillo – 15° - Trabajo pesado \***

**Verde – 25° - Trabajo general \***

**Blanco – 40° - Trabajo liviano \***

**Negro – 65° - Detergente a baja presión**

\* = No se incluye

**NOTA:** Utiliza orificio tamaño 2.5

### 4. APLICACIÓN DE DETERGENTE

**NOTA:** Use sólo detergentes formulados para lavadora a presión. Pruebe el detergente en un área poco aparente antes de usarlo.

#### DETERGENTES

El uso de detergentes puede reducir en gran forma el tiempo de limpieza y puede ayudar a quitar las manchas difíciles. Muchos detergentes están diseñados para ser usados con lavadoras a presión en tareas de limpieza específicas. Los detergentes para lavadoras a presión son igual de espesos que el agua. Si se utilizan detergentes más espesos, como por ejemplo detergentes para lavar vajilla, obstruirán el sistema de inyección de productos químicos y evitarán la aplicación de detergentes.

Una vez aplicados a la superficie a limpiar, los detergentes toman un tiempo para ejercer una acción sobre la suciedad y las manchas. Los detergentes funcionan mejor cuando se aplican a baja presión.

Usted puede limpiar superficies de un modo efectivo combinando la acción química de los detergentes junto con los enjuagues de alta presión. Sobre superficies verticales, aplique el detergente de abajo hacia arriba. Este método evita que el detergente se deslice y provoque marcas. Comience el enjuague con alta presión de abajo hacia arriba. En manchas particularmente difíciles, utilice un cepillo en combinación con los detergentes y el enjuague a alta presión.

1. Siga las indicaciones del fabricante, que aparecen en la etiqueta, para utilizar las concentraciones de mezcla correctas de los jabones/detergentes. La proporción de jabón/detergente con respecto al agua para la bomba es de aproximadamente 12% (1 a 8).
2. Instale la boquilla de pulverización negra para aplicar detergente a baja presión.
3. Instale la boquilla (negra) de 65° para detergente a baja presión en la conexión rápida en el extremo de la lanza.

**⚠ ADVERTENCIA** **NUNCA reemplace una boquilla de conexión rápida cuando el gatillo de la pistola esté presionado. Siempre trabe el seguro del gatillo de la pistola antes de quitar o instalar las boquillas de conexión rápida.**

#### CONSEJOS GENERALES DE LIMPIEZA

1. Aplique el detergente para que cubra totalmente la superficie a limpiar. Aplique el detergente de abajo hacia arriba para evitar que éste se deslice hacia abajo y deje marcas. Espere un par de minutos para que el detergente actúe sobre la suciedad y las manchas. Utilice un cepillo para cepillar levemente las áreas más sucias. Nunca permita que el detergente se seque sobre la superficie a limpiar.
2. Reemplace la boquilla negra de 65° de conexión rápida con la boquilla amarilla de 15° y termine el enjuague final.

**⚠ ADVERTENCIA** **NUNCA reemplace una boquilla de conexión rápida cuando el gatillo de la pistola esté presionado. Siempre trabe el seguro del gatillo de la pistola antes de quitar o instalar las boquillas de conexión rápida.**

3. **NOTA:** Después de usar detergentes, enjuague el sistema de succión colocando el tubo de succión de detergente dentro de un cubo de agua limpia y haga trabajar la unidad con la boquilla negra de 65° enjuagando con agua limpia del tanque a través de la bomba.



## Funcionamiento (Continuación)

### 5. PODER DE LIMPIEZA

La forma más fácil de regular el poder de limpieza de su lavadora a presión es cambiando la distancia a la superficie que está limpiando. La forma más fácil de regular el poder de limpieza de su lavadora a presión es cambiando la distancia a la superficie que está limpiando. Empiece a pulverizar desde varios pies de distancia de la superficie. Acérquese lentamente al objeto que está limpiando hasta que encuentre la técnica de limpieza más eficaz.

### 6. ENJUAGUE FINAL

El enjuague final debe comenzar de abajo hacia arriba. Asegúrese de enjuagar totalmente la superficie y de quitar todo el detergente.

### 7. PROCEDIMIENTO DE LIBERACIÓN DE PRESIÓN

Para reducir el riesgo de lesiones corporales o daño a la propiedad, siempre siga este procedimiento cuando detiene el rociado, cuando finaliza el trabajo y antes de revisar o reparar cualquier parte del sistema.

1. Coloque el seguro del gatillo.
2. Apague la unidad.
3. Cierre el suministro de agua.
4. Suelte el seguro del gatillo y apriete el gatillo de la pistola para liberar la presión.
5. Vuelva a colocar el seguro del gatillo.
6. Cuando revise o repare la unidad, retire de la bujía el cable de ignición.
7. Antes de guardarla hasta el otro día, durante mucho tiempo, o antes de trasladar la unidad, desconecte el suministro de agua y cierre la válvula de suministro de combustible.

### 8. APAGADO

1. Asegúrese de enjuagar todo el detergente del sistema.
2. Apague el motor.
3. Cierre el suministro de agua.
4. Después de apagar el motor y cerrar el suministro de agua, presione el gatillo de la pistola para despresurizar el sistema.

#### AVISO

**NUNCA cierre el suministro de agua antes de apagar el motor. Pueden ocurrir daños graves a la bomba y/o al motor.**

#### PRECAUCIÓN

**Nunca desconecte la manguera de descarga de alta presión desde la máquina mientras el sistema está presurizado. Para despresurizar apague el motor, cierre el suministro de agua y presione el gatillo 2-3 veces.**

5. Después de cada uso, limpie todas las superficies con un paño húmedo y limpio.
- Nunca vaya a guardar la lavadora a presión a la intemperie.
  - No guarde la lavadora a presión en un lugar en el que pueda congelarse, a menos que haya sido preparada adecuadamente para el invierno.

### 9. ALMACENAMIENTO

#### INSTRUCCIONES PARA ALMACENAMIENTO A LARGO PLAZO (MÁS DE 30 DÍAS)

1. Quite el combustible del tanque y haga funcionar la lavadora a presión en el modo de funcionamiento normal hasta que el motor se detenga por falta de combustible. El modo de funcionamiento normal significa que funciona rociando agua realmente de la pistola mientras el motor está funcionando.  
*Método alternativo* – Agregue un estabilizador de combustible a la gasolina en el tanque y haga funcionar en el modo de funcionamiento normal durante un mínimo de cinco minutos.
2. Detenga el motor, apague el suministro de agua, y presione el gatillo de la pistola para liberar la presión en la manguera de alta presión.
3. Desconecte el suministro de agua y la manguera de alta presión de la bomba.
4. Deje que se enfríe el motor.
5. Desconecte el cable de la bujía y a continuación quite la bujía.
6. Vierta 1/2 oz. de aceite para motor en el orificio de la bujía.

#### ADVERTENCIA

**Nunca tire del cordón de encendido del motor cuando la bujía no está colocada, a menos que el orificio de la bujía esté cubierto. Los vapores del combustible del orificio pueden encenderse con una chispa.**

7. Coloque un trapo sobre el orificio de la bujía y lentamente tire del cordón de encendido varias veces para distribuir el aceite.

#### INSTRUCCIONES DE PREPARACIÓN PARA EL INVIERNO

1. Siga y complete todas las instrucciones para almacenamiento a largo plazo que se encuentran arriba.
2. Desconecte el cable de la bujía.
3. Desconecte la manguera de alta presión de la bomba.
4. Introduzca un trozo de manguera de jardín de 30,48 cm (12 inch) a 35,56 cm (14 inch) dentro de la entrada de la bomba.
5. Coloque un embudo en el otro extremo de la manguera de jardín.

#### AVISO

**Lea las instrucciones del fabricante para manejar y desechar con seguridad el anticongelante RV.**

6. Vierta aproximadamente 177 mL (6 oz.) de anticongelante RV dentro del embudo.
7. Tire del cordón de encendido varias veces hasta que el anticongelante RV salga por la salida de la bomba.
8. Desconecte la manguera de alta presión de la pistola y drene la manguera. Sostenga la pistola y la lanza en posición vertical y presione el gatillo para drenar el agua.

#### CONSEJOS PARA PROLONGAR LA VIDA DE SU LAVADORA A PRESIÓN

1. Nunca haga funcionar la unidad sin agua.
2. Su lavadora a presión no está diseñada para bombear agua caliente. Nunca conecte su lavadora a presión a un suministro de agua caliente ya que esto reducirá en forma significativa la vida de la bomba.

## Mantenimiento

- Hacer funcionar la unidad durante más de un minuto sin rociar agua provoca que se acumule calor en la bomba. Hacer funcionar la unidad sin rociar agua puede dañar los componentes de la bomba.

Para asegurar una vida y un rendimiento máximos de la lavadora a presión, cumpla con intervalos de mantenimiento regulares. Remítase al plan de mantenimiento recomendado. Si usted hace funcionar la lavadora a presión en ambientes con mucho polvo, realice revisiones de mantenimiento con más frecuencia.

### INSTRUCCIONES PARA EL CAMBIO DEL ACEITE DEL MOTOR

Drene el aceite del motor cuando el motor esté caliente. El aceite caliente se drena rápidamente y por completo.

- Gire la válvula de combustible a la posición OFF (cerrada) para reducir la posibilidad de pérdidas de combustible.
- Coloque un recipiente adecuado junto al motor para recolectar el aceite usado.
- Quite la varilla de medición de la tapa de llenado de aceite y drene el aceite hacia el recipiente inclinando el motor hacia el cuello de llenado de aceite.

Elimine el aceite para motor usado, de forma tal que no dañe el medio ambiente. Sugérimos que lleve el aceite usado dentro de un recipiente sellado a su centro de reciclaje o estación de servicio para su saneamiento. No lo tire a la basura, lo derrame en el suelo ni lo vierta en un drenaje.

- Con el motor en una posición nivelada, llénelo hasta la marca de límite superior de la varilla de medición con el aceite recomendado.

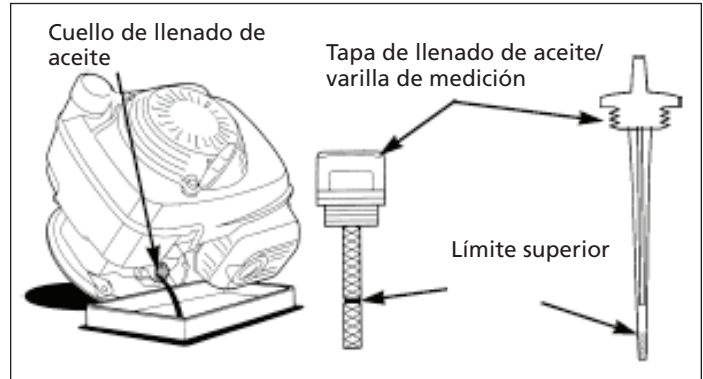


Figura 12 - Ubicaciones de los drenajes de aceite

### AVISO

**Poner en funcionamiento el motor con un bajo nivel de aceite puede causar daños al motor.**

- Vuelva a instalar la tapa de llenado de aceite/varilla de medición de forma segura.

### INSTRUCCIONES PARA EL CAMBIO DE ACEITE DE LA BOMBA

Para cambiar o llenar el aceite de la bomba es necesario quitar la bomba del motor, y esto no debería ser necesario a menos que exista una pérdida de aceite debido a juntas dañadas o desgastadas en la bomba. Si goteó aceite de la bomba, lleve la lavadora a presión a un centro de servicio certificado de Campbell Hausfeld para que sea reparada.

## PLAN DE MANTENIMIENTO

### Plan de Mantenimiento

Diariamente

- Revisar la pantalla y el filtro de entrada de agua.
- Revisar los niveles de aceite del motor. Llenar según sea necesario.
- Revisar el nivel de gasolina. Llenar según sea necesario.

Después de las primeras 5 horas de funcionamiento

- Cambiar el aceite de ablande del motor. Usar aceite detergente SAE30 o 10W-30.

Cada 25 horas de funcionamiento

- Cambiar el aceite si funciona con carga pesada o a una temperatura ambiente alta.
- Limpie o reemplace el cartucho de papel del filtro de aire. Golpee suavemente para quitar la suciedad.

Cada 50 horas de funcionamiento

- Cambiar el aceite
- Reemplazar la bujía

Cada 100 horas de funcionamiento o cada 3 meses

- Reemplace el cartucho de papel del filtro de aire.
- Cambiar el aceite del motor

## INFORMACIÓN TÉCNICA Y PARA EL CONSUMIDOR

### Lavadoras a Presión de Orientación Vertical

<b>Tipo de aceite para el motor</b>	SAE 10W-30 SAE 30W (Por encima de 15° C)
<b>Capacidad de aceite para el motor</b>	
Motores Honda	0,55 L
<b>Capacidad de combustible para el motor</b>	
Motores Honda	1,10 L
<b>Tipo de aceite para la bomba</b>	
Bombas oscilante	SAE30W aceite no detergente
<b>Capacidad de aceite para la bomba</b>	
Bombas oscilantes verticales	0,08 L
<b>Succión de detergente de la bomba</b>	
Proporción de agua a detergente	8 to 1 (12% detergente)
<b>Requisitos del abastecimiento de agua</b>	
Presión mínima de entrada	1,38 bar
Presión máxima de entrada	6,90 bar
Temperatura máxima de entrada	38° C
Velocidad mínima de flujo de entrada	19 LPM
Tamaño de la manguera de entrada	15,9 mm (5/8 inch) diámetro interior
Largo máximo de la manguera de entrada	15,24 m (50 pies)



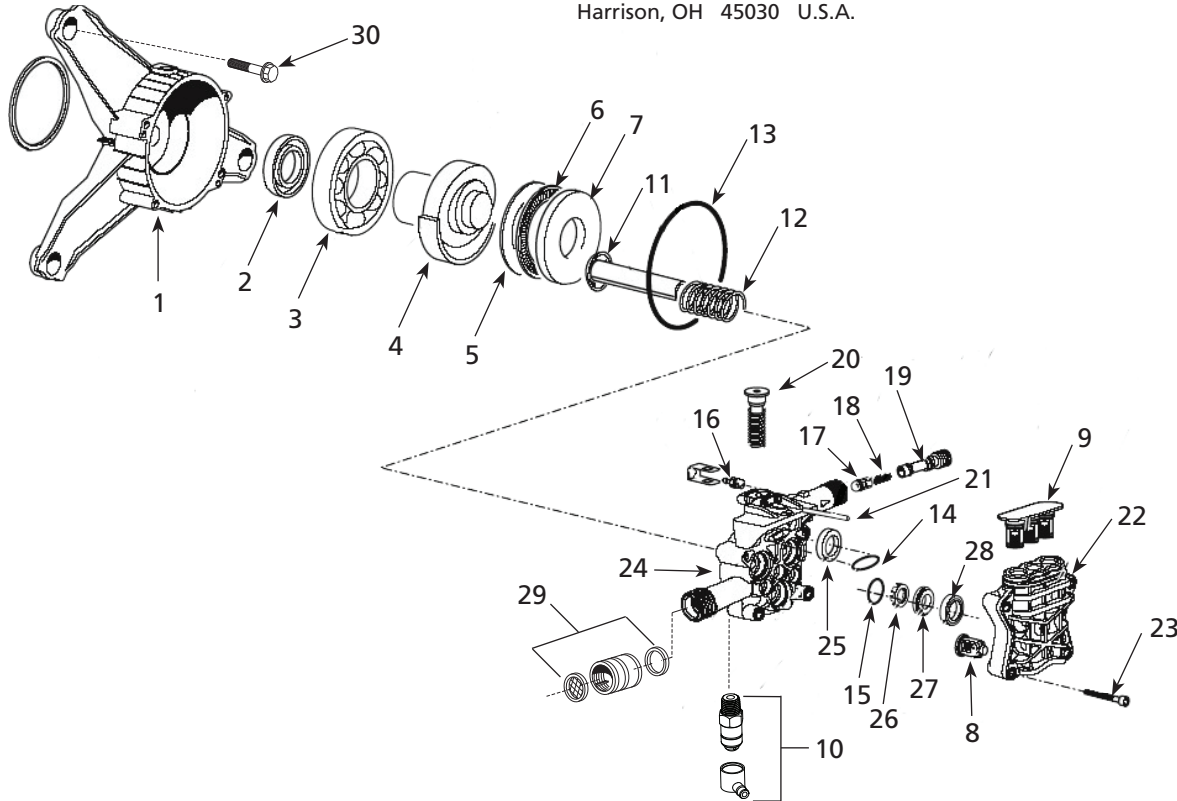
**Para ordenar repuestos o Asistencia Técnica, sírvase llamar al 1-800-330-0712 (En los Estados Unidos, o llame a su distribuidor local)**

Sírvase darnos la siguiente información:

- Número del Modelo
- Número de serie (de haberlo)
- Descripción y número del repuesto según la lista

Puede escribirnos a:

Campbell Hausfeld  
Attn: Customer Service  
100 Production Drive  
Harrison, OH 45030 U.S.A.



No. de Ref.	Descripción	Número del repuesto	Ctd.
1	Cubierta de la bomba	●	0
2	Anillo (sello del orificio de lubricación)	●	0
3	Cojinete	●	0
4	Placa oscilatoria	●	0
5	Zapata de empuje	■	1
6	Cojinete de bolas	■	1
7	Disco de cojinetes	■	1
8	Ensamble de válvula de succión	▲	3
9	Ensamble de la válvula de alta presión	▲	1
10	Válvula de desfogue térmico	PM3450165J	1
11	Pistón	▼	3
12	Resorte del pistón	▼	3
13	Anillo en O - 67 x 2,5	◆	1
14	Anillo en O - 17 x 3 x 2,62	◆	1
15	Anillo en O - 11,1 x 1,78	◆	3
16	Conector de mangueras	○	1
17	Ensamble de válvula de descarga	○	1
18	Resorte	○	1
19	Ensamble del inyector de productos químicos	○	1
20	Ensamble de la válvula de compensación	□	1
21	Pasador	□	2
22	Cabezal de bronce	PM2703055V	1

No. de Ref.	Descripción	Número del repuesto	Ctd.
23	Perno de la culata	PM3452135V	1
24	Cuerpo de la guía del pistón	PM2703065V	1
25	Anillo (sello del orificio de lubricación)	△	3
26	Separador (sello del orificio de lubricación)	△	3
27	Asiento del anillo de sellado	△	3
28	Sello hidráulico	△	3
29	Ensamblaje del conector rotatorio de bronce	PM041360SJ	1
30	Perno de montaje del motor	MJ102302AV	1

### Juegos de piezas para el Servicio

●	Ensamblaje de la cubierta	—
■	Ensamble del rodamiento de bolas	PM2703005V
▲	Ensamblaje de la válvula	PM2703015V
▼	Juego de pistones	PM2703025V
◆	Juego de anillos en o	PM2703035V
○	Juego de inyector de detergente	PM2702105V
□	Juego de ensamble de descarga	PM2703045V
△	Juego de sellado	PM2703075V

### Especificaciones de Torques (kg-cm)

No. de Ref.	Descripción	Torsión
10	Válvula de desfogue térmico	110
23	Perno de la culata	110
16	Torsión de las muescas para manguera	100

Capacidad de aceite: 0,08 L

Tipo de aceite: SAE 30W (no detergente)

## Hidrolavadora de Eje Vertical

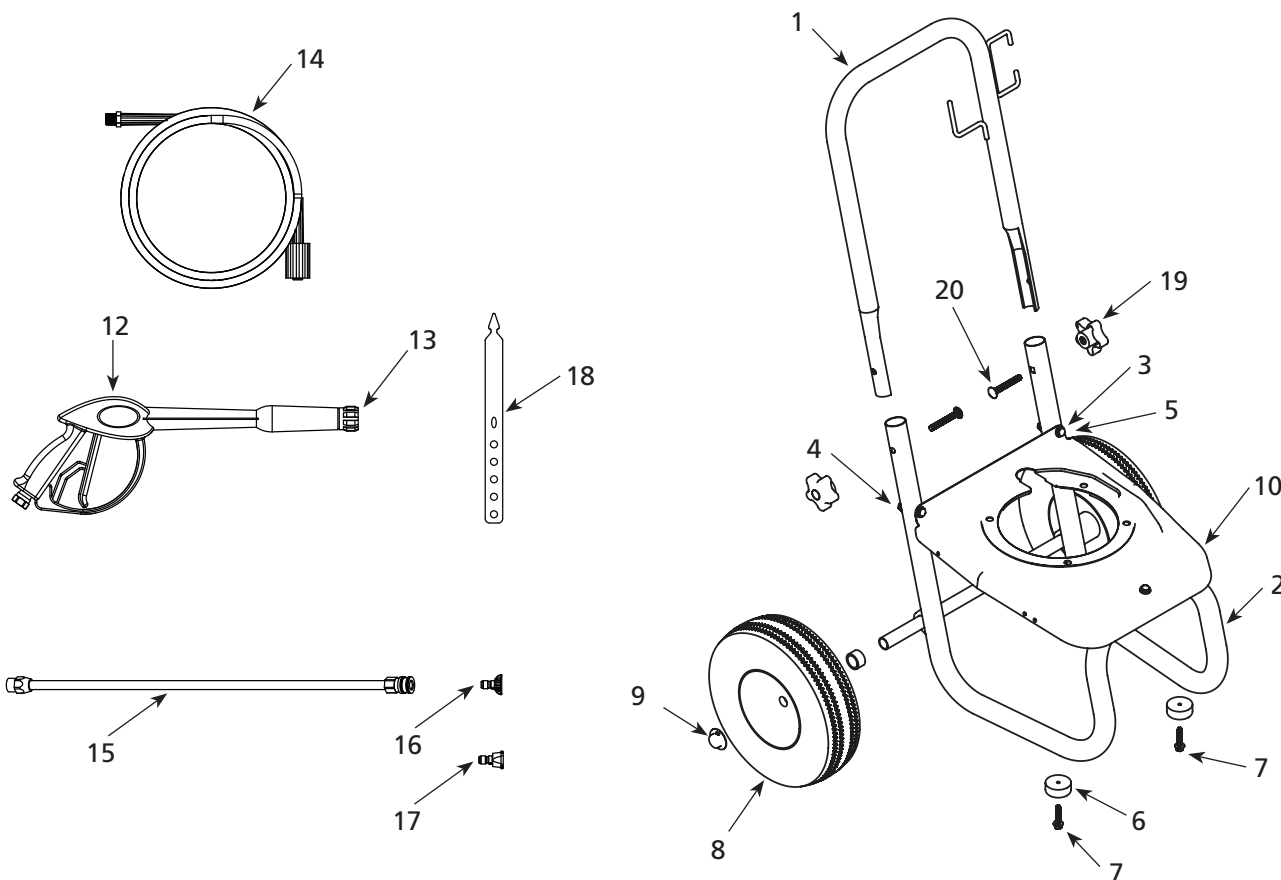
**Para ordenar repuestos o Asistencia Técnica, sírvase llamar al 1-800-330-0712  
(En los Estados Unidos, o llame a su distribuidor local)**

Sírvase darnos la siguiente información:

- Número del Modelo
- Número de serie (de haberlo)
- Descripción y número del repuesto según la lista

Puede escribirnos a:

Campbell Hausfeld  
Attn: Customer Service  
100 Production Drive  
Harrison, OH 45030 U.S.A.



Ref. No.	Description	Part No.	Qty.
1	Tubo del mango	PM3447775J	1
2	Marco	PM3447655J	2
3	Arandela plana	PM002000AV	6
4	Tuerca de seguridad de nylon de 6,4 mm (1/4 inch) - 20	ST073808AV	3
5	Perno de 6,4 mm (1/4 inch) - 20 (base)	PM001902AV	3
6	Defensa de caucho	AL062300AV	2
7	Tornillo autorrosc. 0,64 cm (1/4 inch) - 20 x 19,1 mm (3/4 inch)	MJ102100AV	2
8	Rueda	WA005621AV	2
9	Tuerca de presión (2)	PM3447755J	2
10	Placa de base	PM344725JJ	1
11	Tubo del detergente (No se muestra)	PM013800AV	1
12	Pistola	PM005140AV	1

Ref. No.	Description	Part No.	Qty.
13	Anillo en O (pistola) (No se muestra)	PM2458005V	1
14	Manguera	PM005015AV	1
15	Lance	PM035120AV	1
16	Boquilla, 15° (amarilla)	PM039696AV	1
17	Boquilla, 65° (negra)	PM039820AV	1
18	Soporte, boquillas QC	PM344304AV	1
19	Perilla estrella (2 piezas)	PM3447735J	2
20	Perno del carro (2 piezas)	PM3447745J	2

\* Artículo disponible en ferreterías locales.

### Accesorios para boquillas disponibles para PW2570: (no incluido con la unidad)

Boquilla, 0° (roja)	PM039695AV
Boquilla, 25° (verde)	PM039697AV
Boquilla, 40° (blanca)	PM039698AV

## Tabla de diagnóstico de averías - Sólo lavadoras a presión con motor a gasolina

Problema	Posible(s) causa(s)	Acción a tomar
El motor no enciende o le cuesta encender	<ol style="list-style-type: none"> <li>1. No hay gasolina en el tanque de combustible o en el carburador</li> <li>2. Bajo nivel de aceite</li> <li>3. Interruptor de arranque/parada en la posición de parada</li> <li>4. Agua en la gasolina o combustible viejo</li> <li>5. Filtro del limpiador de aire está sucio</li> <li>6. Bujía sucia, espacio equivocado o tipo equivocado</li> <li>7. Pistola de rociado cerrada</li> <li>8. Otras causas</li> </ol>	<ol style="list-style-type: none"> <li>1. Llene el tanque con gasolina, abra la válvula de cierre de combustible. Revise la línea de combustible y el carburador</li> <li>2. Revise el nivel de aceite. Llénelo si es necesario</li> <li>3. Mueva el interruptor a la posición de arranque</li> <li>4. Drene el tanque de combustible y el carburador. Use combustible nuevo y seque la bujía</li> <li>5. Qítelo y límpielo o reemplácelo</li> <li>6. Límpiela, ajuste el espacio o reemplácela</li> <li>7. Apriete el gatillo de la pistola de rociado</li> <li>8. Consulte el manual del propietario del motor</li> </ol>
El motor pierde o le falta potencia	<ol style="list-style-type: none"> <li>1. Filtro limpiador de aire tapado parcialmente</li> <li>2. Bujía sucia, espacio equivocado o tipo equivocado</li> </ol>	<ol style="list-style-type: none"> <li>1. Qítelo y límpielo o reemplácelo</li> <li>2. Límpiela, ajuste el espacio o reemplácela</li> </ol>
La presión baja y/o la bomba funciona toscamente	<ol style="list-style-type: none"> <li>1. Punta desgastada o del tamaño equivocado</li> <li>2. Filtro de entrada o bomba obstruida</li> <li>3. Sellos de agua desgastados, abrasivos en el agua, o desgaste natural</li> <li>4. Válvulas de descarga o de entrada sucias</li> <li>5. Entrada restringida</li> <li>6. Válvulas de descarga o de entrada desgastadas</li> <li>7. Manguera de alta presión con pérdidas</li> <li>8. Bomba aspira aire</li> <li>9. Asiento de la válvula de descarga fallado o desgastado</li> </ol>	<ol style="list-style-type: none"> <li>1. Reemplácela con una punta del tamaño adecuado</li> <li>2. Límpiela. Verifique con más frecuencia</li> <li>3. Revise el filtro. Cambie los sellos de agua. Consulte el centro de servicio</li> <li>4. Limpie los ensamblajes de las válvulas de entrada y descarga. Revise el filtro</li> <li>5. Revise la manguera de jardín, puede estar colapsada o plegada. Revise el flujo de entrada de agua</li> <li>6. Reemplace las válvulas desgastadas</li> <li>7. Reemplace la manguera de alta presión</li> <li>8. Asegúrese de que las mangueras y los accesorios estén ajustados</li> <li>9. Revíselo y reemplácelo</li> </ol>
Pérdida de agua debajo del distribuidor	Sellos de agua desgastados	Instale nuevos sellos de agua. Consulte al centro de servicio
Agua en el cárter de la bomba (aceite lechoso)	<ol style="list-style-type: none"> <li>1. Aire húmedo se condensa dentro del cárter</li> <li>2. Sellos de aceite con pérdidas</li> </ol>	<ol style="list-style-type: none"> <li>1. Cambie el aceite como se especifica en el plan de mantenimiento</li> <li>2. Instale nuevos sellos de aceite. Consulte al centro de servicio</li> </ol>
Fallas frecuentes o prematuras de los sellos de agua de la bomba	<ol style="list-style-type: none"> <li>1. Émbolos rayados, dañados o desgastados</li> <li>2. Material abrasivo en el fluido</li> <li>3. Temperatura del agua de entrada demasiado alta</li> <li>4. La bomba presuriza demasiado</li> <li>5. Presión excesiva debido a una punta dañada o parcialmente obstruida</li> <li>6. La bomba funciona demasiado sin rociar</li> <li>7. La bomba funciona sin agua</li> </ol>	<ol style="list-style-type: none"> <li>1. Instale émbolos nuevos. Consulte al centro de servicio</li> <li>2. Instale un filtrado adecuado en la tubería de entrada de la bomba</li> <li>3. Verifique la temperatura del agua; no puede exceder los 38° C.</li> <li>4. No modifique ningún valor de fábrica.</li> <li>5. Limpie o reemplace la punta.</li> <li>6. Nunca haga funcionar la bomba durante más de 2 minutos sin rociar</li> <li>7. No haga funcionar la bomba sin agua</li> </ol>
Fuertes pulsaciones en la entrada y baja presión	Partículas extrañas en la válvula de entrada o de descarga o válvulas de entrada y/o de descarga desgastadas	Limpie o reemplace las válvulas. Consulte al centro de servicio
Pérdidas de aceite entre el motor y la bomba	Anillo O y/o sellos de aceite desgastados	Reemplace el anillo O y/o los sellos de aceite. Consulte el centro de servicio
Presión fluctuante	<ol style="list-style-type: none"> <li>1. Válvula desgastada, sucia o trabada</li> <li>2. La bomba aspira aire</li> <li>3. Punta obstruida</li> </ol>	<ol style="list-style-type: none"> <li>1. Revise y reemplace</li> <li>2. Asegúrese de que las mangueras y los accesorios están ajustados. Purgue el aire de la manguera de jardín</li> <li>3. Revise o reemplace</li> </ol>
Disminuye la presión luego de un período de uso normal	<ol style="list-style-type: none"> <li>1. Sellos de agua de la bomba desgastados</li> <li>2. Boquilla desgastada</li> <li>3. Válvula desgastada, sucia o atorada</li> <li>4. Asiento de la válvula de descarga desgastado o sucio</li> </ol>	<ol style="list-style-type: none"> <li>1. Revise y reemplace</li> <li>2. Revise y reemplace</li> <li>3. Revise, limpie o reemplace</li> <li>4. Revise, limpie o reemplace</li> </ol>
Bomba ruidosa / la bomba funciona toscamente	<ol style="list-style-type: none"> <li>1. Bomba aspira aire/bajo suministro de agua</li> <li>2. Válvulas sucias o desgastadas</li> <li>3. Juntas desgastadas</li> <li>4. Agua demasiado caliente</li> </ol>	<ol style="list-style-type: none"> <li>1. Asegúrese de que las juntas están ajustadas. Aumente la presión de agua</li> <li>2. Revise, limpie o reemplace</li> <li>3. Revise y reemplace</li> <li>4. Reduzca la temperatura por debajo de 38° C</li> </ol>
No succiona detergente	<ol style="list-style-type: none"> <li>1. La boquilla no se empujó hacia arriba lo suficiente</li> <li>2. Hay una obstrucción, pliegue o perforación en la manguera de succión de detergente</li> <li>3. La manguera es demasiado larga</li> <li>4. La lanza no está funcionando adecuadamente</li> </ol>	<ol style="list-style-type: none"> <li>1. Empuje la boquilla hasta el tope.</li> <li>2. Si está limpia, elimine los pliegues o cambie la manguera.</li> <li>3. Utilice únicamente el largo de manguera que se proporcionó con la compra inicial de la lavadora a presión. La succión del detergente no funciona si se conecta más de una sección de manguera a la unidad.</li> <li>4. Quite la lanza de la pistola. Si se pasa detergente a través de la pistola, la lanza se debe reemplazar. Si no pasa detergente a través de la pistola, quite 1 inch del conector de detergente ahusado de la bomba. Limpie el conector, y asegúrese de que la bola y el resorte estén alineados adecuadamente con la porción ahusada del resorte que está frente a la bola. La bola debe estar encima del resorte.</li> </ol>



## GARANTIA LIMITADA

1. Duracion: De la fecha de compra por el comprador original y de acuerdo a las siguientes clasificaciones: Normas (Standard Duty) – Tres Años.
2. QUIEN otorga DA ÉSTA GARANTÍA (EL GARANTE): Campbell Hausfeld / Scott Fetzer Company, 100 Production Drive, Harrison, OH 45030, Teléfono: 1-800-330-0712.
3. QUIEN RECIBE ÉSTA GARANTÍA (EL COMPRADOR): El comprador original (que no sea revendedor) de la Lavadora de Presión Campbell Hausfeld.
4. PRODUCTOS CUBIERTOS POR ESTA GARANTÍA: Cualquier Lavadora de Presión Campbell Hausfeld fabricada o distribuida por el garante.
5. LO QUÉ ÉSTA CUBIERTO POR ESTA GARANTÍA: Los defectos de material y/o de manufactura que ocurran dentro del periodo de garantía con las excepciones anotadas abajo.
6. LO QUÉ NO ÉSTA CUBIERTO POR ESTA GARANTÍA:
  - A. Las garantías implícitas, incluyendo las garantías de comercialización y adecuación para un fin particular, son limitadas a partir de la fecha de compra como se indica en el parrafo DURACIÓN. En algunos estados no se permiten limitaciones a la duración de las garantías, en tal caso esta limitacion no es aplicable.
  - B. CUALQUIER PERDIDA, DANO INCIDENTAL INDIRECTO O CONSECUENTE QUE PUEDE RESULTAR DE UN DEFECTO, FALLA, O MALFUNCIONAMIENTO DE LA LAVADORA DE PRESIÓN CAMPBELL HAUSFELD. En algunos estados no se permiten la exclusión o limitación de daños incidentales o consecuentes y en tal caso esta limitacion o exclusión no es aplicable.
  - C. Cualquier falla que resulte por daños en la transportación, accidente, abuso, negligencia o incumplimiento de las instrucciones de funcionamiento e instalacion indicadas en el manual suministrado con el producto.
  - D. El servicio al producto antes de la venta. Ejemplo ensamblaje, aceites o lubricantes, ajustes, etc.
  - E. Partes o ajustes requeridos normalmente en el mantenimiento de la lavadora de presión.
  - F. El motor de gasolina y sus componentes están expresamente excluidos de ésta garantía limitada. Estos componentes deben de ser devueltos por el comprador al fabricante original o a su taller de reparación autorizado.
  - G. Partes adicionales no cubiertos en ésta garantía:
    1. Desgaste normal en partes tales como mangueras de alta presión, sellos de agua o aceite, anillos, válvulas y boquillas de spray.
    2. Escobillas del motor (modelos eléctricos solamente).
    3. Defectos externos que no interfieren con su funcionamiento.
    4. Componentes oxidados.
    5. Desgaste de la bomba o daño de la válvula causado por uso de aceite inapropiado, contaminación del aceite o por no seguir adecuadamente las recomendaciones de mantenimiento.
7. RESPONSABILIDADES DEL GARANTE BAJO ÉSTA GARANTÍA: Repare o reemplazar, como lo decida el garante, ya sea la lavadora de presión o alguna de sus partes que se encuentre defectuoso, no funcione adecuadamente y/o no cumpla de conformidad dentro del periodo de duración de la garantia.
8. RESPONSABILIDADES DEL COMPRADOR BAJO ESTA GARANTÍA:
  - A. Proporcionar prueba de la fecha de compra y registros de mantenimiento.
  - B. Entregar o enviar la lavadora de presión o su componente al centro de servicio autorizado Campbell Hausfeld más cercano. Los costos de embarque, si son aplicables, serán pagados por el comprador.
  - C. Ser cuidadoso con el funcionamiento y mantenimiento de la lavadora de presión de acuerdo al manual(s) del propietario.
9. CUANDO EFECTUARA EL GARANTE LA REPARACION O REEMPLAZO CUBIERTO POR ESTA GARANTÍA: La reparación o reemplazo del equipo tomara el tiempo normal y de acuerdo a la carga de trabajo en ese momento el el centro de servicio y de acuerdo a la disponibilidad de refacciones.

Esta garantía limitada es válida sólo en los EE.UU., Canadá y México y otorga derechos legales específicos. También usted podría tener otros derechos los cuales varían de estado a estado o de país a país.



## Free Manuals Download Website

<http://myh66.com>

<http://usermanuals.us>

<http://www.somanuals.com>

<http://www.4manuals.cc>

<http://www.manual-lib.com>

<http://www.404manual.com>

<http://www.luxmanual.com>

<http://aubethermostatmanual.com>

Golf course search by state

<http://golfingnear.com>

Email search by domain

<http://emailbydomain.com>

Auto manuals search

<http://auto.somanuals.com>

TV manuals search

<http://tv.somanuals.com>