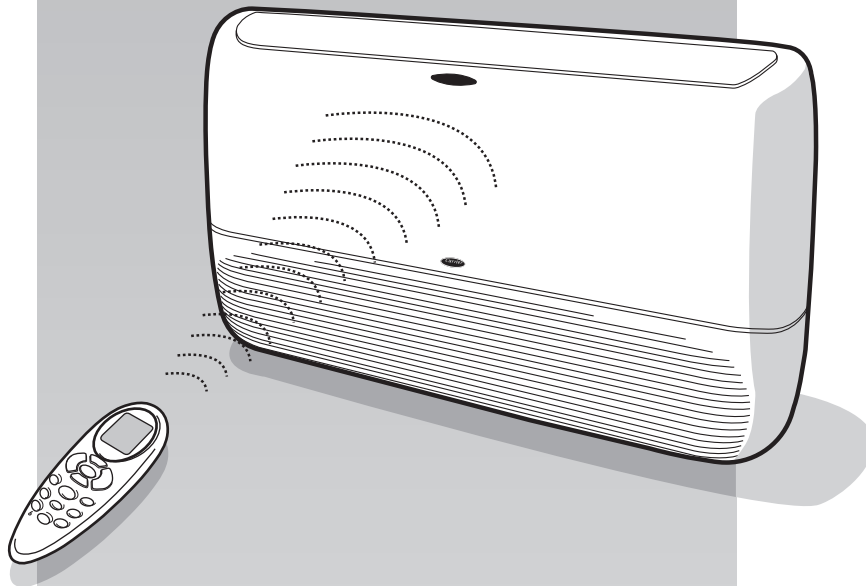




42VMC

**Console
night & day**



INSTALLATION MANUAL

42VMC

Split system “Console night & day” indoor unit

The operation and maintenance instructions for the indoor unit and the installation instructions for the indoor and the outdoor unit are given in the manuals for each unit. These are supplied with the unit.

Contents

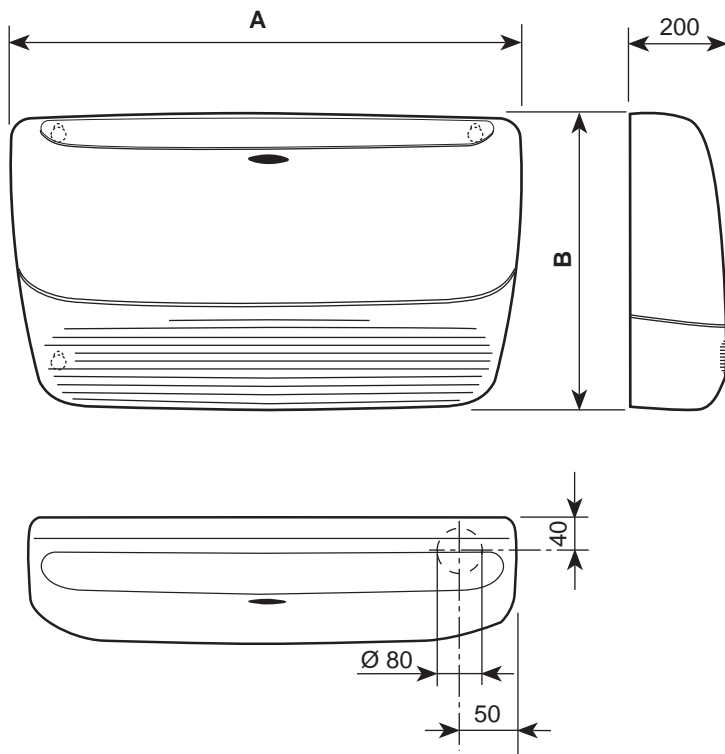
	Page
Dimensions and weight.....	2
Nominal data	2
Minimum clearances	2
Connections	3
Material supplied	3
Operating limits	3
General information	4
Warnings: avoid	5
Installation	6/7
Refrigerant connections	8
Electrical connection	9/11
System configuration	12
Operating test	13
Address selector	13
Fault code	13
Guide for the owner	13
Accessories	13
Air delivery	14
Fresh air renewal	14

Cooling only and heat pump models	Power supply
42VMC009 42VMC012 42VMC014 42VMC018 42VMC024	230V ~ 50Hz

42VMC

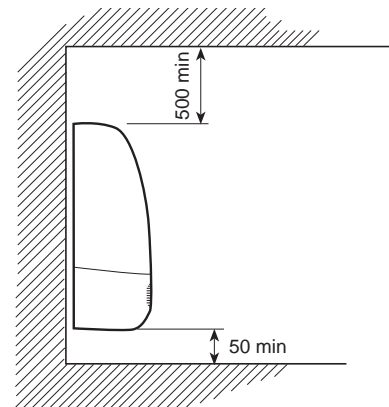
Dimensions and weights - Minimum clearances (mm)

Dimensions and weights

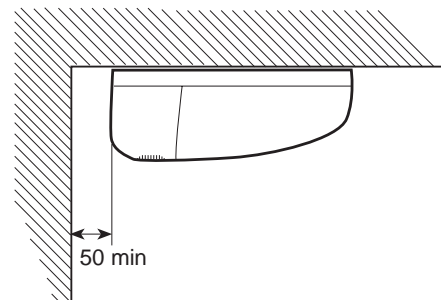



Minimum clearances

Wall installation



Ceiling installation



Model		42VMC009	42VMC012	42VMC014	42VMC018	42VMC024
A	mm	850	850	1000	1000	1000
B	mm	540	540	600	600	600
	kg	15	16	18	18	20

POWER INPUT		
Cooling only		
	Cooling W	Heating W
42VMC 009	25	—
42VMC 012	30	—
42VMC 014	55	—
42VMC 018	55	—
42VMC 024	80	—
Heat pump		
42VMC 009	25	25
42VMC 012	30	30
42VMC 014	55	55
42VMC 018	55	55
42VMC 024	80	80

Table I: Nominal data

- Unit is not suitable for operation in laundry premises.
- For sizing of power supply wires and delay type fuses, refer to the outdoor unit installation instructions.

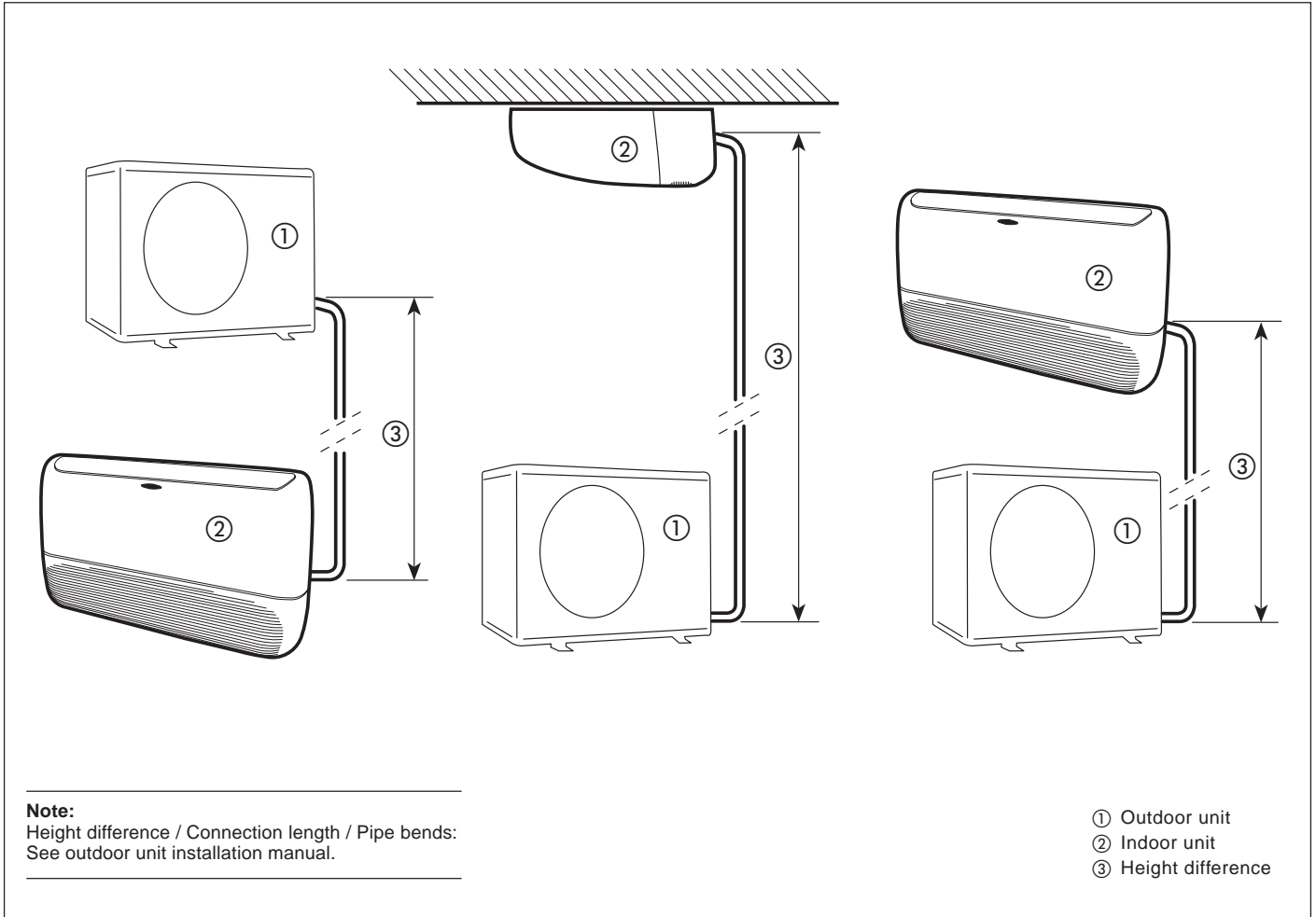


Table II: Material supplied

<ul style="list-style-type: none"> ④ Photocatalytic filter ⑤ Acrylic-fibre filter ⑥ Condensate drain pipe cover (use for horizontal installation) • Drilling template • Installation manual • Owner's manual • Wireless infrared remote control kit 	
------------------------------------------------------------------------------------------------------------------------------------------------------------------------------------------------------------------------------------------------------------------------------------------------------------------------------	--

Table III: Operating limits

Cooling / Heating	Refer to outdoor unit installation manual.	
Mains power supply	Nominal single-phase voltage Operating voltage limits	230V ~ 50Hz min. 198V – max. 264V

42VMC

General information

Unit installation

Read this instruction manual thoroughly before starting the installation.

- This unit complies with low-voltage (EEC/73/23) and electro-magnetic compatibility (EEC/89/336) directives.
- The installation must be carried out by a qualified installer.
- Follow all current national safety code requirements. In particular ensure that a properly sized and connected ground wire is in place.
- Check that voltage and frequency of the mains power supply are those required for the unit to be installed; the available power must be adequate to operate any other possible appliances connected to the same line.
Also ensure that national safety code requirements have been followed for the mains supply circuit.
- **The mains supply must be connected as follows:**
Models 42VMC 009, 012, 014: to the indoor unit.
Models 42VMC 018, 024: to the outdoor unit.
- Connect indoor and outdoor units with field-supplied copper pipes by means of flare connections. Use insulated seamless refrigeration grade pipe only, (Cu DHP type according to ISO 1337), degreased and deoxidized, suitable for operating pressures of at least 4200 kPa.
Under no circumstances must sanitary type copper pipe be used.
- Use field-supplied 16 mm I.D. PVC pipe of appropriate length and with the correct thermal insulation for the condensate drain.
- After installation thoroughly test the system operation and explain all system functions to the owner.
- Leave this manual with the owner for consultation during future periodic maintenance.
- Use this unit only for factory approved applications: **the unit cannot be used in laundry or steam pressing premises.**

IMPORTANT:

During the unit installation make first refrigerant connections and then electrical connections. When disassembling first disconnect electrical cables, then refrigerant connections.

WARNING:

Disconnect the mains power supply switch before servicing the system or handling any internal parts of the unit.

- Do not open the remote controller to avoid possible damage. In case of malfunctioning contact a qualified service engineer.
- This installation manual describes the installation procedures of the indoor unit of a residential split system consisting of two units manufactured by Carrier.
Consult factory or a qualified system engineer prior to connecting this unit to any other manufacturer's outdoor unit.
Coupling units which have different control systems, may cause irreversible damage and void the warranty protection.
The manufacturer declines any liability for system malfunction resulting from unapproved coupling.
- Operating conditions outside the operating range ("Connections"), will cause safety device tripping or damage to unit components.
- The manufacturer declines any liability for damage resulting from modifications or errors in the electrical or refrigerant connections. Failure to observe the installation instructions or use of the unit under conditions other than those indicated in Table III (operating limits) of the outdoor unit installation manual, will immediately void the unit warranty.

- Failure to observe electric safety codes may cause a fire hazard in case of short circuits.
- Inspect equipment for damage due to improper transportation or handling: file an immediate claim with the shipping company. Do not install or use damaged units.
- In case of any malfunctioning turn the unit off, disconnect the mains power supply and contact a qualified service engineer.
- This equipment contains R-410A refrigerant, a substance that is not depleting the ozone layer.
- **All of the manufacturing and packaging materials used for your new appliance are compatible with the environment and can be recycled.**
- Dispose of the packaging material in accordance with local requirements.
- This equipment contains refrigerant that must be disposed of in the proper manner.
When disposing of the unit after its operational life, remove it carefully.
The unit must then be delivered to an appropriate disposal centre or to the original equipment dealer, for proper environmentally friendly disposal.

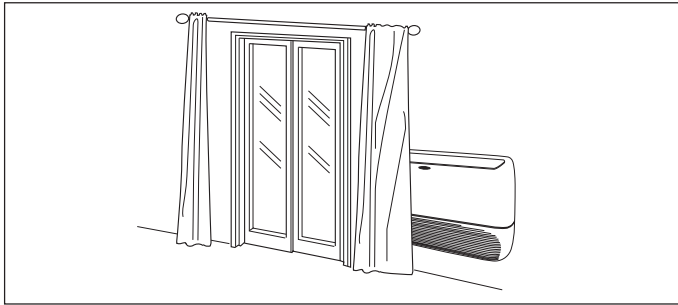
Choosing the installation site

Positions to avoid:

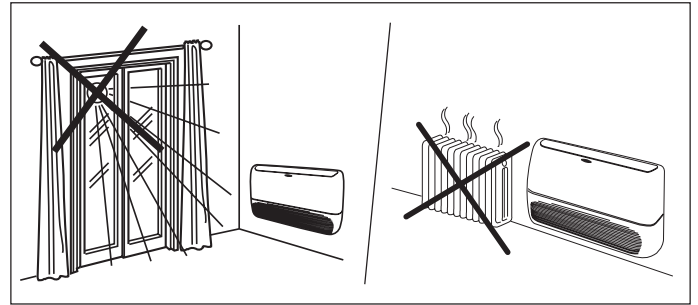
- Exposed to direct sun.
- Too close to heat sources.
- On humid walls or positions with water hazard, e.g. laundry premises.
- Where curtains or furniture may obstruct free air circulation.

Recommendations:

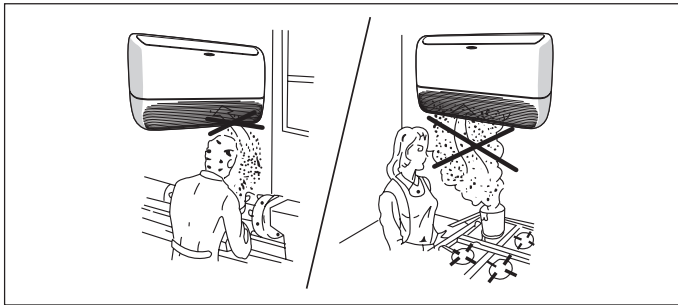
- Choose an area free from obstructions which may cause irregular air distribution and/or return.
- Check that the wall surface is flat enough to allow easy and safe installation.
The wall structure should be strong enough to carry the unit weight and avoid deformation, rupture or vibration during operation.
- Consider using an area where installation is easy.
- Choose a position that allows for the clearances required (see drawing).
- Look for a position in the room which assures the best possible air distribution.
- Install the unit in a position where condensate can easily be piped to an appropriate drain.



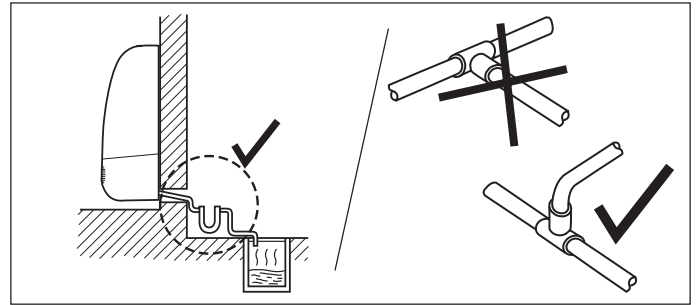
...any obstruction of the unit air outlet or return.



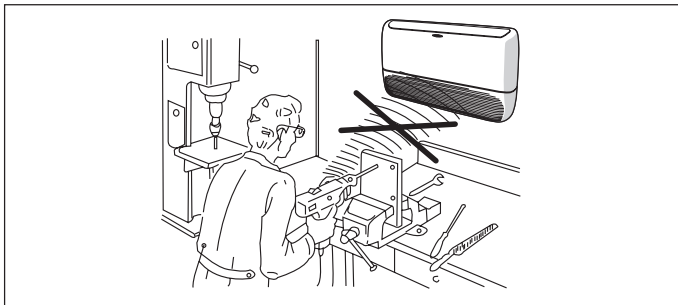
...exposure to direct sunshine, when unit is operating in cooling mode; always use shutters or shades..
...positions too close to heating sources which may damage the unit.



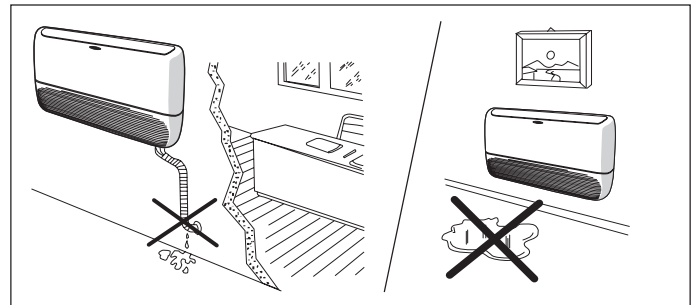
...exposure to oil vapours.



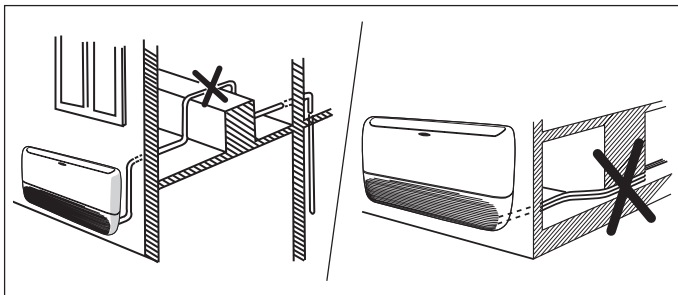
...connecting condensate piping to sewage system drain without appropriate trap. Trap height must be calculated according to the unit discharge head in order to allow sufficient and continuous water evacuation.



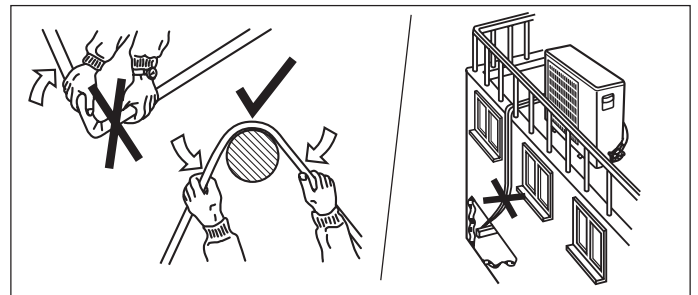
...installation in areas with high frequency waves.



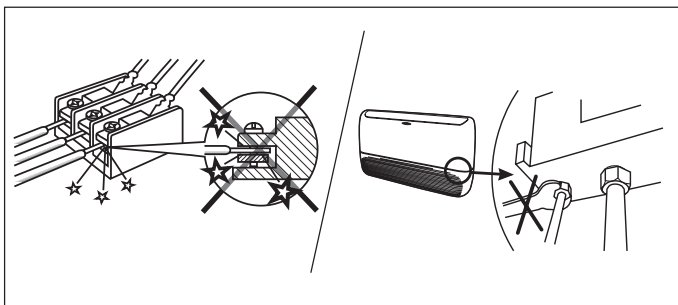
...only partial insulation of the piping.
...installation not correctly levelled which will cause condensate dripping.



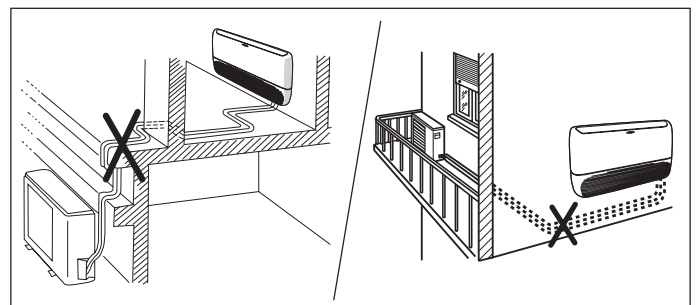
...any rise in the condensate drain piping..
...horizontal condensate drain piping with less than 2% slope.



...flattening or kinking the refrigerant pipes or condensate pipes.
...excessive height difference between outdoor and indoor units (see installation manual of outdoor unit).



...slack on electrical connections. ...disconnecting refrigerant connections after installation: this will cause refrigerant leaks.

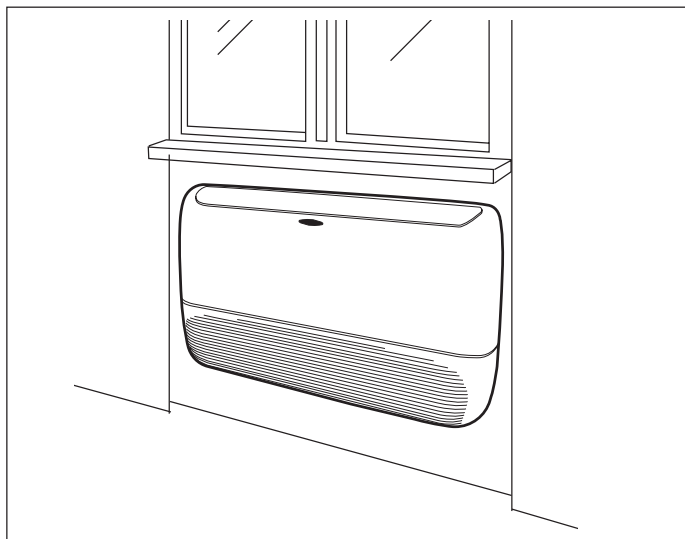


...unnecessary turns and bends in interconnecting tubing. ...excessive interconnecting tube length (see installation manual of outdoor unit).

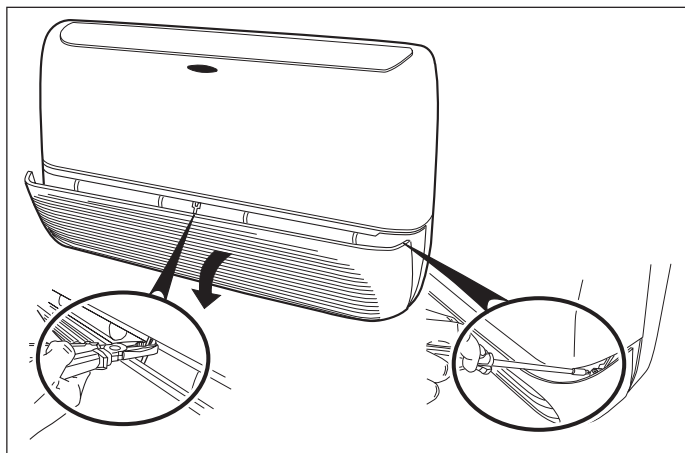
42VMC

Installation

Vertical wall-mounting



- The preferred arrangement is generally under a window sill on an external wall. This makes it easier to install the interconnecting tubing, electrical connections and condensate pipework to the outdoor unit. The indoor unit can also be installed against an internal partition if the connections to the outdoor unit can be concealed.
- For better operation of the thermostat located on the unit, it is advisable to avoid unit installation in enclosed spaces.
- There are three alternatives for the connections to the unit: parallel to the wall, through the wall or through the side.

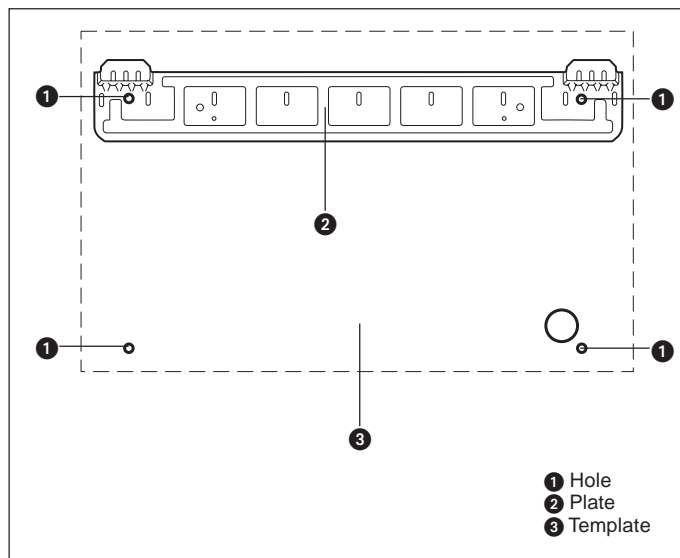


Preparation

- Unpack the unit.
- Open and remove the suction grille. To remove suction grille, remove the central lock using a pliers, then with a screwdriver remove the two side screws fixing the fasteners.
- Locate the mounting template, supplied with the unit.

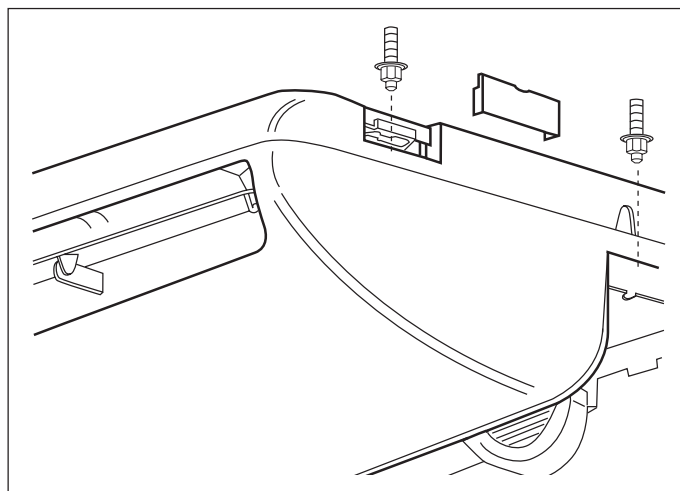
Installation

- Use the template supplied, and drill the four fixing holes in the wall. Use the four dowels provided.
- Fix the attachment plate (using the two upper holes).
- Attach the unit.
- Fix the unit to the wall, using the two holes, positioned in the lower part.
- Verify that the unit is level.

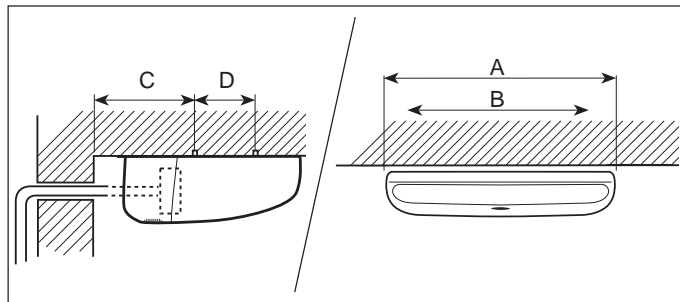


Ceiling installation

- Using the template supplied, drill the four holes in the ceiling and position four tie rods (not supplied).
- Attach the unit to the tie-rods, as shown in the illustration.

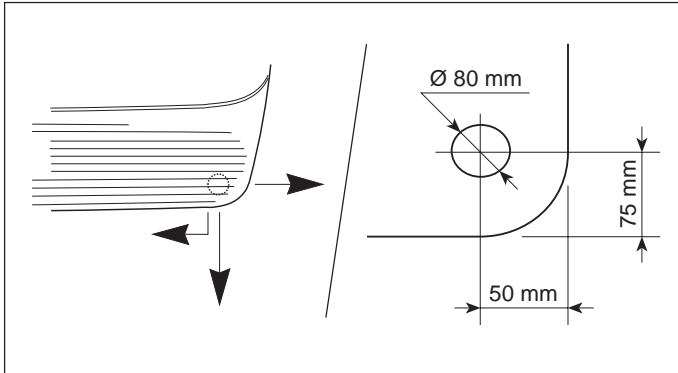


- Ensure a minimum slope of 5 mm (refrigerant connection side must be lower) by modifying on the tie-rod fixing.

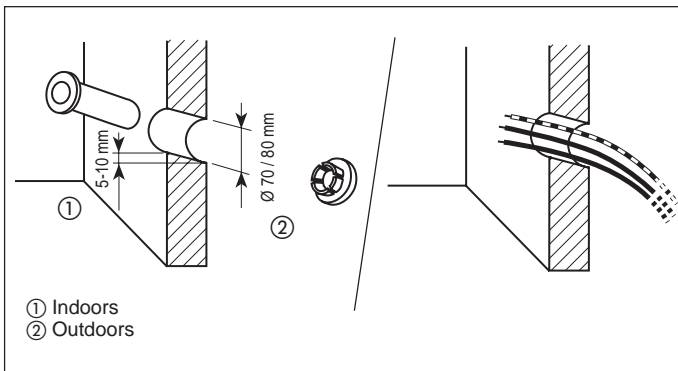


42VMC	009	012	014	018	024
A mm	850	850	1000	1000	1000
B mm	786	786	940	940	940
C mm	237	237	250	250	250
D mm	237	237	285	285	285

Drilling the hole in the wall for the connection of the pipes



The pipes can exit the unit to three different directions (see illustration). For exit to the rear, the wall hole must be made in the position shown in the illustration.

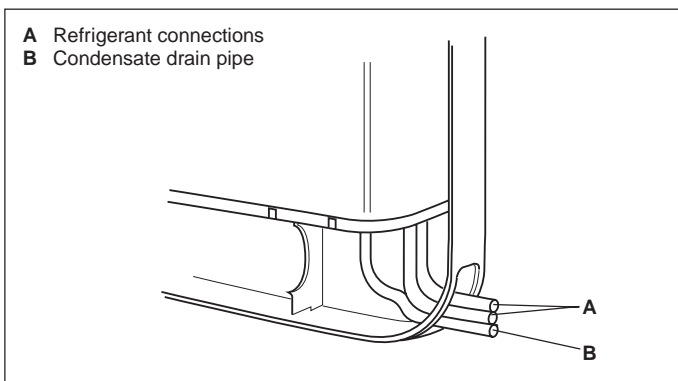


Drill a 70 or 80 mm diameter hole. The hole must have a 5-10 mm downward slope towards the outside. Insert the plastic conduit provided. Pass the electrical connecting wires through the conduit (see electrical connections).

Condensate drain pipe

For vertical installation

Connect the PVC pipe to the connection on the drain pan.

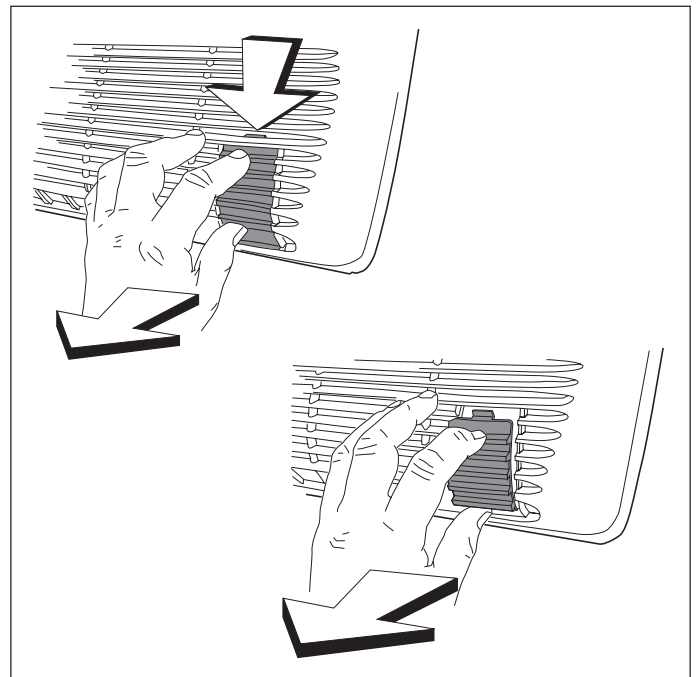


IMPORTANT:

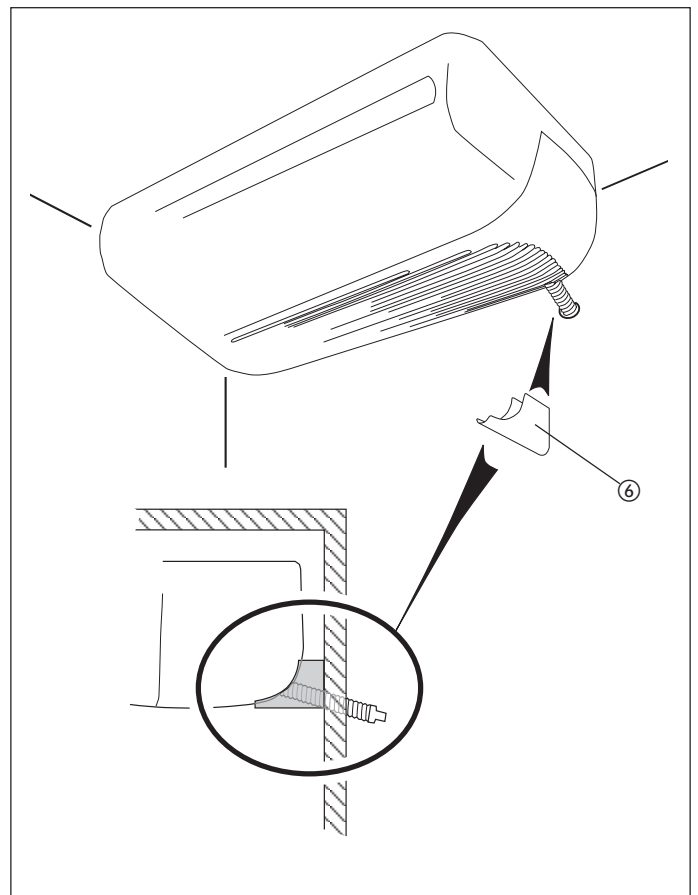
The outdoor unit is designed to operate without the use of condensate water to cool the condenser coil. It is necessary to discharge the condensate directly into the sewer system, downpipes or to disperse it outside.

For horizontal installation

To allow the condensate drain pipe to correctly come out of the unit, proceed as follows:



- Remove from suction grille, the part of grille fixed tonguing, pressing it until tabs is unhooked.



Mount condensate drain pipe cover ⑥ supplied, fitting it as necessary. In the event of condensate discharge pump is used (accessory), the condensate drain pipe can exit together with the refrigerant pipes.

42VMC

Refrigerant connections

Make refrigerant connections before connecting the system to the power supply.

Refer to the outdoor unit installation manual for tube sizing, and limitations (slopes, length, number of curves allowed, refrigerant charge, etc.)

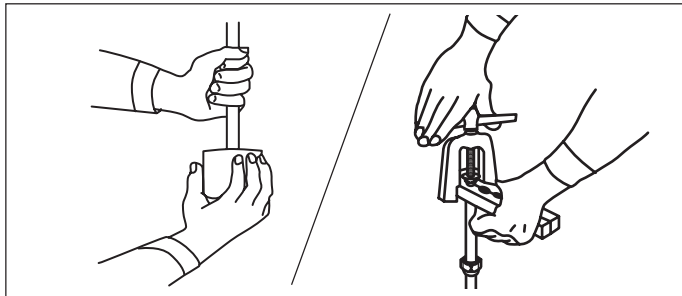
Model	Tubing diameter			
	Gas (Suction)		Liquid (Discharge)	
	mm	(inches)	mm	(inches)
009	9.52	(3/8")	6.35	(1/4")
012	12.70	(1/2")	6.35	(1/4")
014	12.70	(1/2")	6.35	(1/4")
018	12.70	(1/2")	6.35	(1/4")
024	12.70	(1/2")	6.35	(1/4")

- For refrigerant tubes use seamless, insulated refrigeration grade tube, (Cu DHP type according to ISO 1337), degreased and deoxidized, suitable for operating pressures of at least 4200 kPa. Under no circumstances use sanitary type copper pipe.

Note:

- Do not kink or flatten the tubes.
- Avoid bends with a bending radius of less than 100 mm.
- Do not bend copper tubes more than three times at the same point.
- Do not remove flare fittings from unit tubes before actually making the connections.
- Do not fasten the insulation too tightly to the tubes with straps or tape.

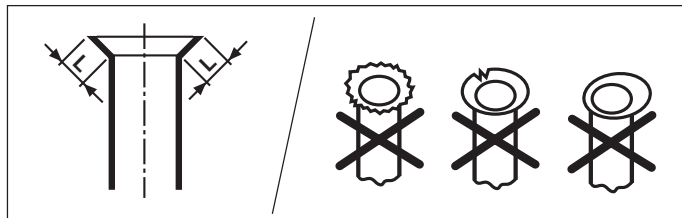
Flaring the end of the tubing



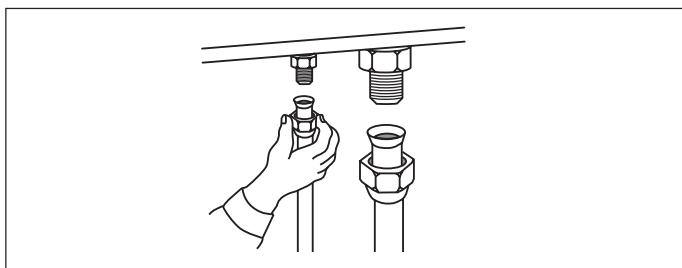
Remove protective caps from the copper tube ends. Position tube end downward, cut the tube to the required length and remove the burrs with a reamer.

Remove flare nuts from the unit connections and place them on the tube end.

Flare the tube with a flaring tool.



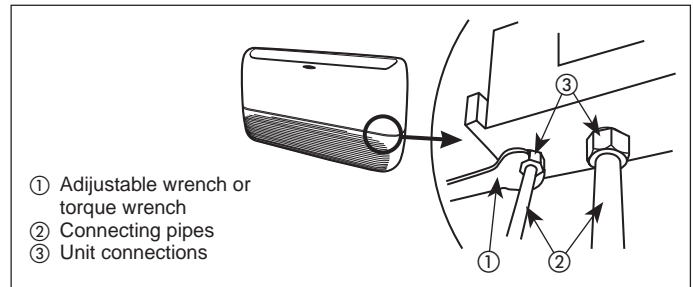
Flare end must not have any burrs or imperfections. The length of the flared walls must be uniform.



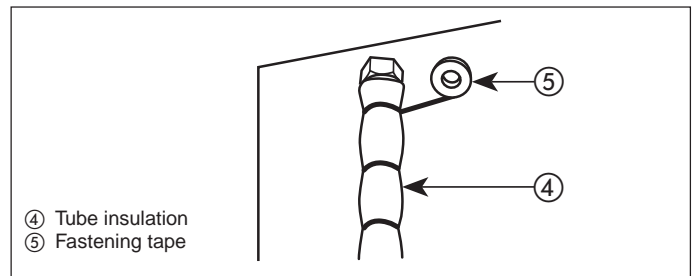
Finger-tighten the fitting several turns, then tighten it fully with two wrenches by applying the tightening torque indicated in the table.

Connection to the unit

Insufficient tightening torque will cause gas leaks. Overtightening the fittings will damage the tube flaring and cause gas leaks.



Tubing diameter	Torque
mm (inches)	Nm
6.35 (1/4")	18
9.52 (3/8")	42
12.70 (1/2")	55



Once all connections have been completed, check for leaks by applying soapy water to them.

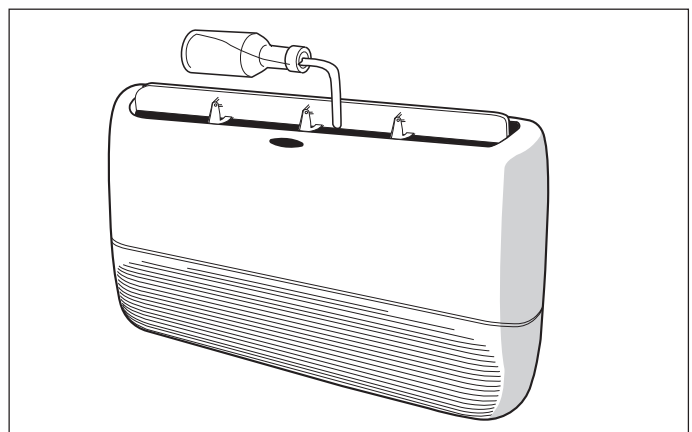
If incorrect connection or removal of the unit results in a refrigerant gas leak, check the refrigerant charge as indicated in the "OUTDOOR UNIT INSTALLATION MANUAL".

Finally wrap connections with anti-condensate insulation and tighten with tape, without exerting great pressure on the insulation.

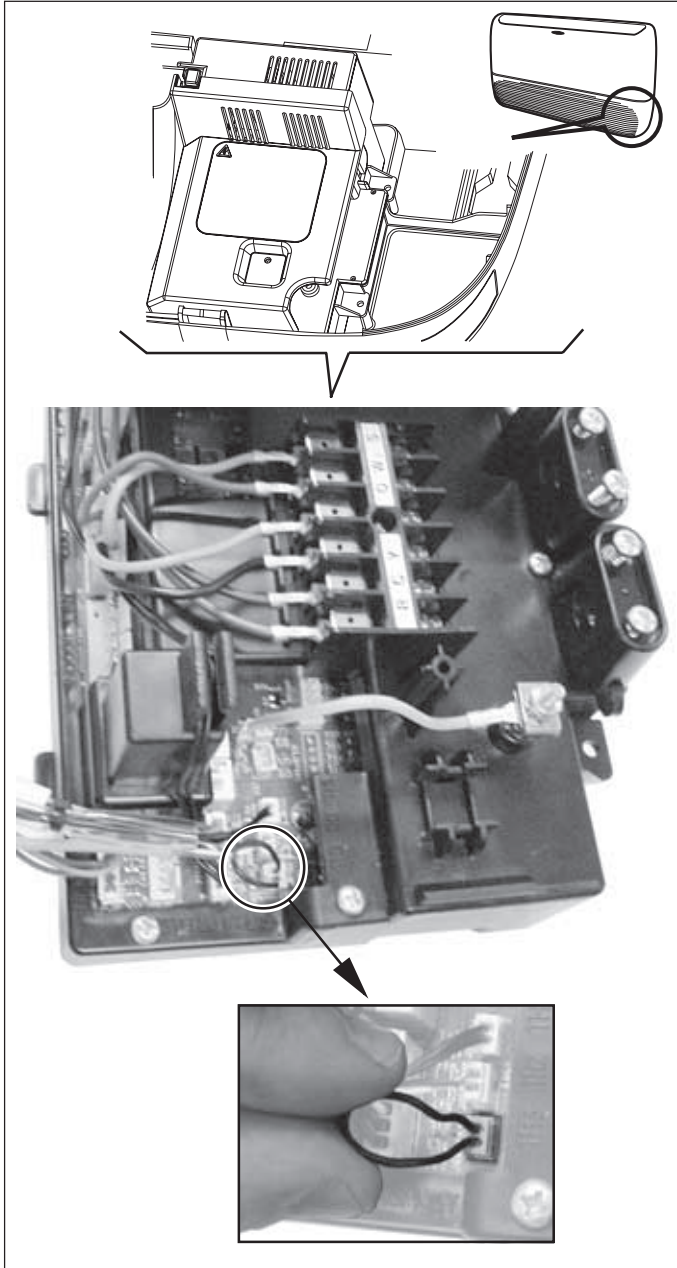
Repair and cover any possible cracks in the insulation.

Connection pipes and electric cables between indoor and outdoor units must be fixed to the wall with appropriate conduits.

Check



Pour water into the condensate drain pan and check that it flows freely to the drain.



Jumper positioning:

Units are equipped with a jumper inside the electric control box, to make them suitable for the two installation typologies:

Wall vertical installation: jumper inserted.

Ceiling horizontal installation: jumper removed.

To reset incorrect jumper positioning, proceed as follows:

- Disconnect the power supply.
- Reposition the jumper correctly.
- Connect the power supply.

IMPORTANT:

- **Make refrigerant connections before electrical connections.**

When disconnecting, disconnect electrical connections before refrigerant connections.

- **Make ground connection prior to any other electrical connections.**

The mains supply must be connected as follows:
Models 42VMC 009, 012, 014: to the indoor unit.
Models 42VMC 018, 024: to the outdoor unit.

- Make electrical connections between units prior to proceeding to mains supply unit connection.
- Before proceeding with the unit connection to the mains supply locate live **L** and neutral **N**, then make connections as shown in the wiring diagram.
- Ensure that mains supply connection is made through a switch that disconnects all poles, with contact gap of a least 3 mm.
- The indoor - outdoor unit connecting wires must be A07 RN-F type (or higher), with synthetic rubber insulation with Neoprene coating, according to EN 60335-2-40 and HD277.S1 codes.
- The mains supply connecting cable for 42VMC 009, 012, 014 units, must be H07 RN-F type (or higher), with synthetic rubber insulation with Neoprene coating, according to EN 60335-2-40 and HD277.S1 codes.
- Ground connection between indoor and outdoor unit is made via the refrigerant pipes.
- With the cable clamp supplied, secure the connecting cable between the two units.
- Fasten the electric connecting wires with refrigerant tubes together. Allow an additional length to the electric wires for easy connection to the unit connectors.

Notes:

- **For sizing of power supply wires and delay type fuses, refer to the outdoor unit installation instructions.**
- **All field electrical connections are the responsibility of the installer.**

IMPORTANT:

The units are provided with electronic control.

A time-delay device provides a 3 minute starting delay of the compressor every time the unit is stopped or when it is initially switched on.

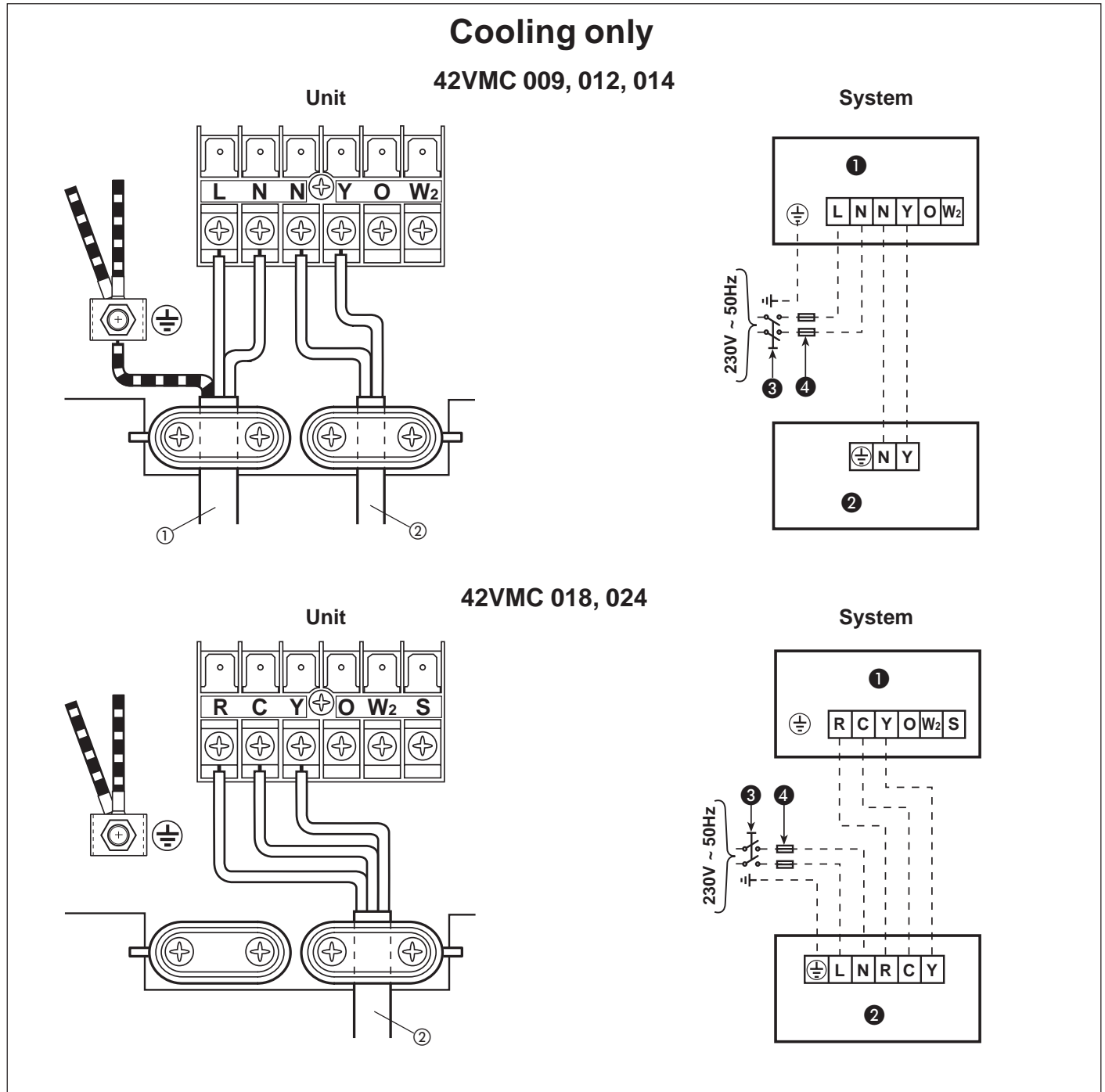
Control and safety devices

The following control and safety devices are built into the indoor units (see wiring diagrams):

- Room air thermostat adjustable from 18°C to 32°C.
- Motor with overheat/overcurrent protection.

42VMC

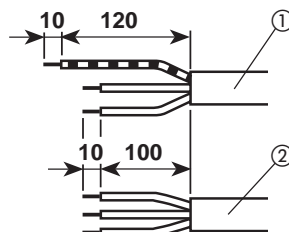
Electrical connections



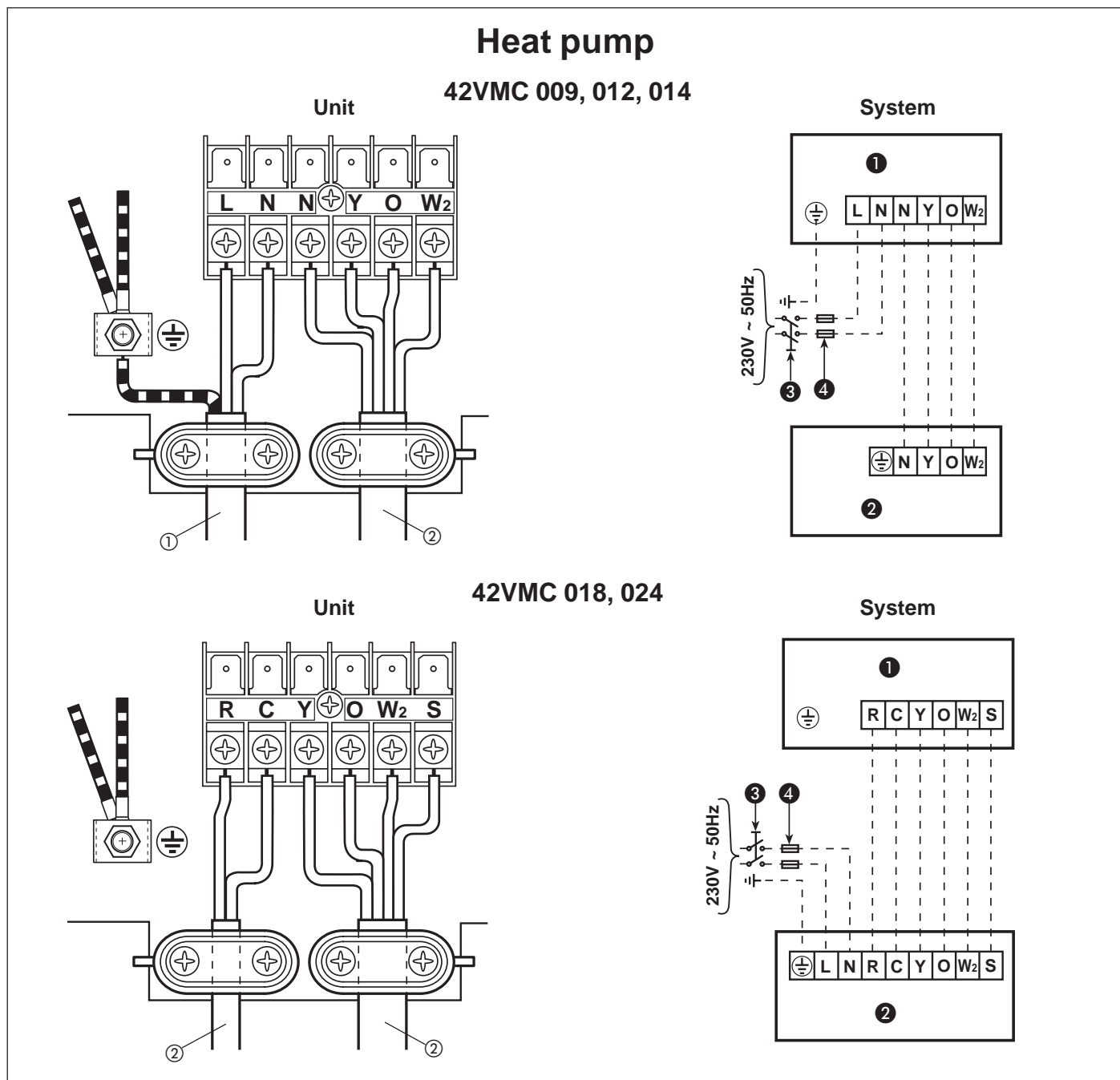
Model	Minimum connection wire size between indoor and outdoor units (mm ²)					
	L	N	N	R	C	Y
42VMC 009	2.5	2.5	1.5	-	-	1.5
42VMC 012, 014	2.5	2.5	2.5	-	-	2.5
42VMC 018, 024	-	-	-	1.5	1.5	1.5

Terminal box legend

- ⊕ Earth.
- L Live power supply.
- N Neutral power supply.
- N Neutral connection indoor/outdoor unit.
- R Live connection indoor/outdoor unit.
- C Neutral connection indoor/outdoor unit.
- Y Compressor interlocking contact.



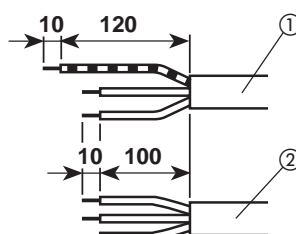
- ① Mains supply connecting cable (field wiring).
- ② Connecting cable, indoor-outdoor units (field wiring).
- ① Indoor unit
- ② Outdoor unit
- ③ Main switch
- ④ Time-delay fuse or circuit breaker (see outdoor unit installation manual)



Model	Minimum connection wire size between indoor and outdoor units (mm ²)								
	L	N	N	R	C	Y	O	W2	S
42VMC 009	2.5	2.5	1.5	-	-	1.5	1.5	1.5	-
42VMC 012, 014	2.5	2.5	2.5	-	-	2.5	2.5	2.5	-
42VMC 018, 024	-	-	-	1.5	1.5	1.5	1.5	1.5	1.5

Terminal box legend

- Earth.
- L** Live power supply.
- N** Neutral power supply.
- N** Neutral connection indoor/outdoor unit.
- R** Live connection indoor/outdoor unit.
- C** Neutral connection indoor/outdoor unit.
- Y** Compressor interlocking contact.
- O** Reversing valve control.
- W2** Outdoor fan signal.
- S** Defrost end signal.



- ① Mains supply connecting cable (field wiring).
- ② Connecting cable, indoor-outdoor units (field wiring).
- ① Indoor unit
- ② Outdoor unit
- ③ Main switch
- ④ Time-delay fuse or circuit breaker (see outdoor unit installation manual)

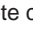
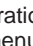
42VMC

System configuration

System configuration

Units are factory configured as heat pumps. When a cooling only system is installed, it is necessary to change the factory configuration. Such operation must be performed by the installer as follows:

Cooling only configuration (of the system)


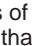
- Check all electrical connections (instructions and wiring diagram).
- Insert the batteries into the remote control and leave it OFF.
- Energise the system, turning the power supply ON.
- Press the **M** and  buttons of the infrared remote control and hold them pressed for more than 5 seconds.
- The display will be cleared, the time segments will display the first configuration item (rAdr = remote address) and the temperature segments will display the default value of this configuration item (Ab = control of both indoor units).
- Press button **M** repeatedly until "UCFG" is displayed.
- Press either the **^** or **v** button to change the default value (HP) to the new value (AC).
- Press  button to transmit the new configuration to the unit.
- Press **1** button to leave the configuration menu.

For other available configuration options, see table IV.

Note:

When 30 seconds have elapsed and no buttons have been pressed, the remote controller will automatically exit the configuration menu and the procedure has to be restarted.

Cooling only configuration (of the remote controller)

- Insert the batteries into the remote controller and leave it OFF.
- Energise the system, turning the power supply ON.
- Press the **v** and  buttons of the infrared remote control and hold them pressed for more than 5 seconds.
- The display will be cleared, the temperature segments will display the first configuration item (CH = remote address) and the time segments will display the default value of this configuration item (Ab = control of both indoor units).
- Press button **M** repeatedly until "rc" is displayed.
- Press either the **^** or **v** button to change the default value (HP) to the new value (AC).
- Press  button to transmit the new configuration to the unit.
- Press **1** button to leave the configuration menu.

For other available configuration options, see table V.

Note:

When 30 seconds have elapsed and no buttons have been pressed, the remote controller will automatically exit the configuration menu and the procedure has to be restarted.

Table IV

Item	Shown on display	Explanation	Description
1	"rAdr"	"A": remote unit A "b": remote unit B "Ab": remote units A and B	Remote address indoor unit A. Remote address indoor unit B. Default address is both indoor units.
2	"UCFG"	"HP": heat pump "AC": cooling only	Default address is heat pump. Change address for cooling only.
3	"UAdr"	1-2,40 with increase of 1	CCN unit address. Default = 1.
4	"ZONE"	1-2,40 with increase of 1	Number of zone. Default = 0.
5	"GFdn"	1-2,40 with increase of 1	Number of GFD. Default = 1.
6	"A St"	"OF": unit in stop mode "On": automatic restart	Choose of operating mode after a power supply interruption.

Table V

Shown on display	Explanation	Description
"CH"	"A": unit A "b": unit B "Ab": units A and B	Address indoor unit A. Address indoor unit B. Default address is both indoor units.
"tU"	"C": Degrees Celsius "F": Degrees Fahrenheit	Temperature. Default is °C.
"rc"	"HP": heat pump "AC": cooling only	Default address is heat pump. Change address for cooling only.
"HR"	17 – 32: 17°C ÷ 32°C 63 – 90: 63°F ÷ 90°F	Heating temperature range °C min. and max. Heating temperature range °F min. and max.
"CR"	17 – 32: 17°C ÷ 32°C 63 – 90: 63°F ÷ 90°F	Cooling temperature range °C min. and max. Cooling temperature range °F min. and max.
"CL"	12 : 12: 12 hour clock (AM/PM) 24 : 24: 24 hour clock	Time format (AM = morning; PM = afternoon). Default is 12 : 12.

NOTE: If the selection is changed from "rc" (HP operation) to cooling only and the remote control operating mode is auto or heating, the operating mode is set to cool.

NOTE: If the "HR" is set to a value that is lower than "CR" and the remote control operating mode is auto, the operating mode is set to cooling.

Operating test

- Perform the operating test after the units have been installed in position and the gas leak test has been completed.
- Check all electrical connections (instructions and wiring diagram).
- Insert the batteries into the remote control and leave it OFF.
- Energise the system, turning the power supply ON.
- Press the \wedge and ☰ buttons of the infrared remote control and hold them pressed for more than 5 seconds.
The display will be cleared, the time segments will display the icon (Src = service test).
- After test has been completed, press ① button to leave the test menu.

Note:

When 30 seconds have elapsed and no buttons have been pressed, the remote control will automatically exit the test menu and resume its normal operation.

Address selector

If you are installing two indoor units in the same room and you want them to operate in independent mode, it is necessary to assign each unit its own address so that each unit can operate via its own remote control.

For configuration, proceed as follows:

Configuration (of the unit)

- Press the **M** and ☰ buttons of the infrared remote control and hold them pressed for more than 5 seconds.
- The display will be cleared, the time segments will display the first configuration item (rAdr = remote address) and the temperature segments will display the default value of this configuration item (Ab = control of both indoor units).
- Press either the \wedge or \vee button to change the default value (Ab) to the new value (A) or (b).
- Press ☰ button to transmit the new configuration to the unit.
- Press ① button to leave the configuration menu.

Configuration (of the remote controller)

- Press the \vee and ☰ buttons of the infrared remote control and hold them pressed for more than 5 seconds.
- The display will be cleared, the temperature segments will display the first configuration item (CH = remote address) and the time segments will display the default value of this configuration item (Ab = control of both indoor units).
- Press either the \wedge or \vee button to change the default value (Ab) to the new value (A) or (b).
- Press ☰ button to transmit the new configuration to the unit.
- Press ① button to leave the configuration menu.

Note:

When 30 seconds have elapsed and no buttons have been pressed, the remote control will automatically exit the configuration menu and the procedure has to be restarted.

Fault code

Once a failure occurs with the indoor unit in operation, the green unit LED flashes at intervals of 0.5 seconds.
The fault code is deduced from the number of times the green LED flashes, blocking unit operation.
Between one flash cycle and the next one, a pause of 5 seconds elapses.

Table VI: Fault code

Code	Description
3	Room air sensor fault
4	Indoor unit coil sensor fault
6	Filter dirty
7	Outdoor unit failure
10	EEPROM corrupt
11	Unit address incomplete
12	Address / zone incomplete
13	Gas flow distributor corrupt

Guide for the owner

When installation and tests are completed explain the Operation and Maintenance Manual to the owner, with particular attention to the main operating modes of the air conditioner, such as:

- Turning the unit on and off.
- Functions of the remote control.
- Removal and cleaning of the air filters.

Leave the two installation manuals for the indoor and outdoor units with the owner for future use during maintenance operations or for any other needs.

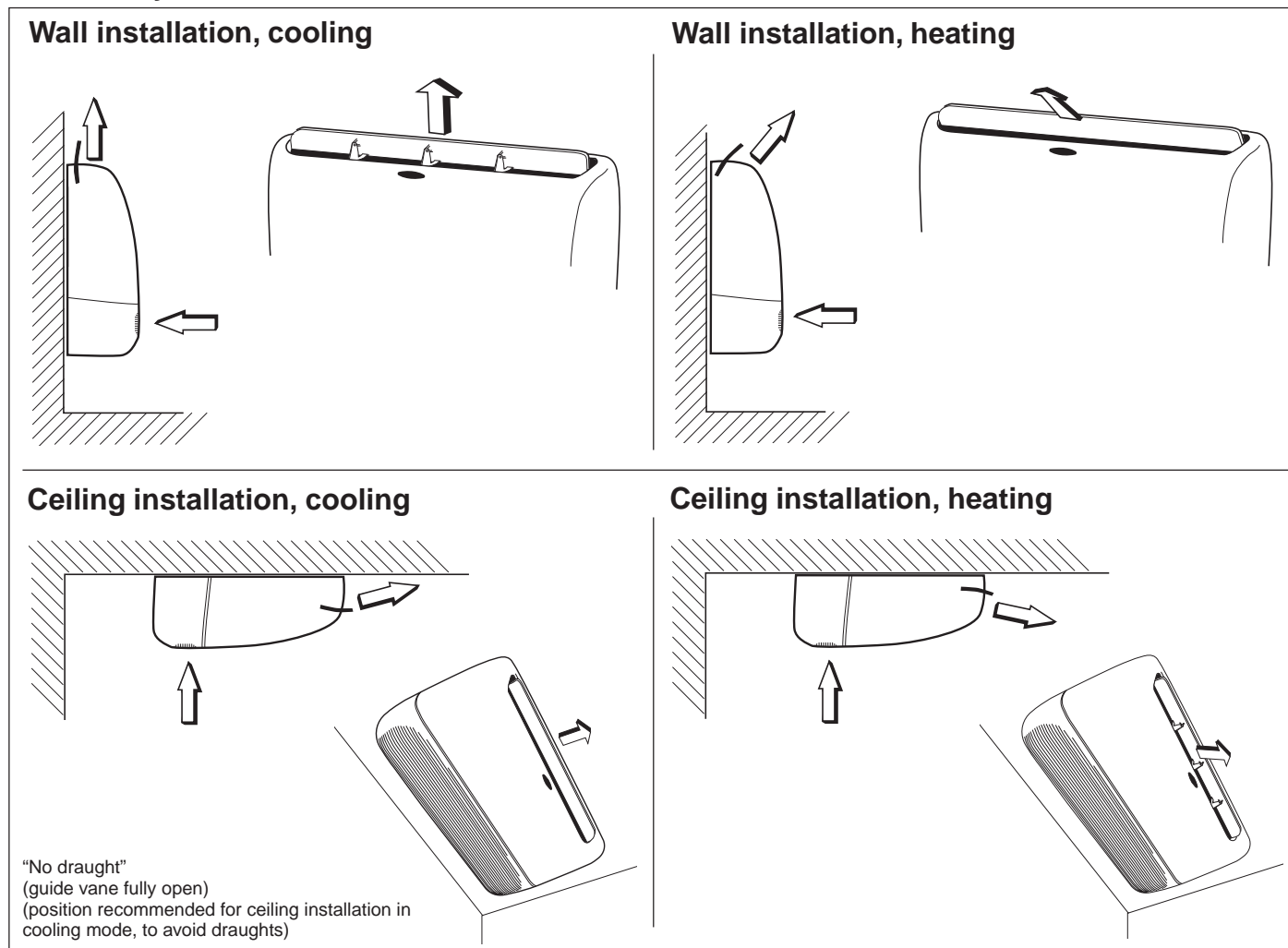
Table VII: Accessories

Description	Part number	42VMC				
		009	012	014	018	024
Condensate discharge pump 230V ~ 50Hz	42VKG9002	●	●	●	●	●
Cable cover kit	42VKG9003	●	●	●	●	●

42VMC

Air delivery and fresh air renewal

Air delivery direction



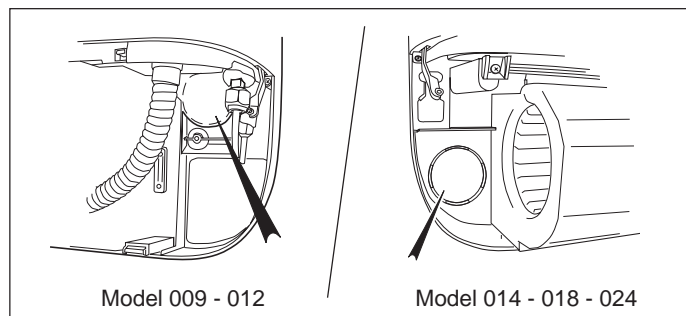
IMPORTANT:

Air is supplied into the room through the grilles located on top of the cabinet; air from the room is drawn into the unit through the grilles and filter at the bottom of the unit.

Make absolutely sure that the above parts are not obstructed (even partially).

Fresh air renewal

Units are prearranged for introduction of renewal air through a prepunched hole located on back side. Back knockout allows connection of fresh air inlet duct.



• Use locally purchased material, suitable for operating temperatures of 60 °C (continuous). Conduits can be of flexible polyester (with spiral core) or corrugated aluminium, externally covered with anti-condensate material (fibre glass from 12 to 25 mm thickness).

• To complete the installation, all non-insulated ducts must be covered with anti-condensate insulation (ex. expanded neoprene, 6 mm thickness).

Not observing of these instructions may cause condensate dripping; the manufacturer will not be held responsible for any damage caused.

• The supplementary fan motor for outside air intake has to be supplied separately and controlled by a bipolar ON-OFF switch with safety fuses (field-installed). To adjust the fan motor air flow to the required values it is advisable to install a speed controller. Fresh air flow must be less than 10% of the total air flow, to avoid operating problems. For fresh air ventilation rates higher than 10%, a primary air treatment system with separate deflectors is recommended.

• Install an air inlet grille with filter inspection port to prevent dust and dirt from entering and fouling the indoor unit heat exchanger. Filter installation also makes the installation of a duct closing damper during shutdown periods unnecessary.



Via R. Sanzio, 9 - 20058 Villasanta (MI) Italy - Tel. 039/3636.1

The manufacturer reserves the right to change any product specifications without notice.

Order No. 14489-74, April 2002. Supersedes Order No. 14489-74, January 2002.

Printed in Italy

Free Manuals Download Website

<http://myh66.com>

<http://usermanuals.us>

<http://www.somanuals.com>

<http://www.4manuals.cc>

<http://www.manual-lib.com>

<http://www.404manual.com>

<http://www.luxmanual.com>

<http://aubethermostatmanual.com>

Golf course search by state

<http://golfingnear.com>

Email search by domain

<http://emailbydomain.com>

Auto manuals search

<http://auto.somanuals.com>

TV manuals search

<http://tv.somanuals.com>