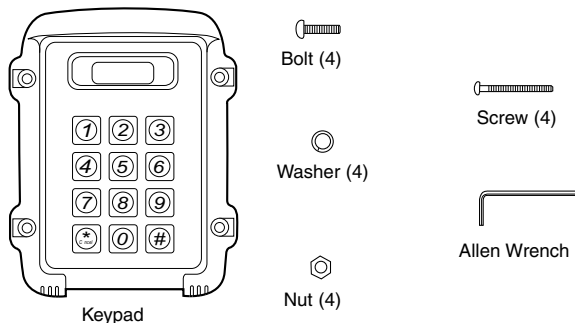


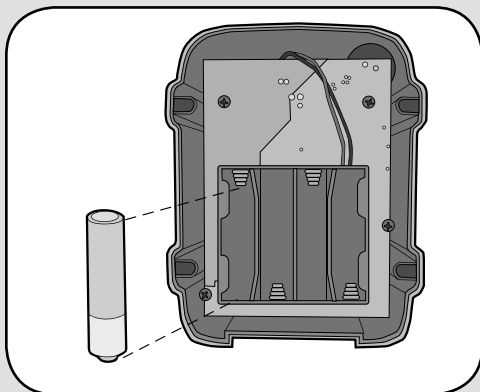
Overview

The Wireless Keypad uses a digitally secure intercom link that allows it to control up to four access points. The Wireless Keypad is compatible with various Liftmaster Wireless Products. Model WKP5LM can hold up to 5 PIN Numbers. Model WKP250LM can hold up to 250 PIN Numbers.

Carton Inventory



Assembly



Install 4 AA Alkaline batteries (not provided). (Lithium batteries recommended for colder environments.) Keypad will beep. Keypad will continuously beep indicating no Master PIN Number has been programmed. Proceed to *Initial Setup*.

Initial Setup

Step 1: On keypad press: 

Step 2: Enter 4 digit Master PIN Number. Example: 1234.




NOTE: “ * “ is the cancel button that will cancel any call or key sequence.

Multiple Keypads at Same Location

NOTE: This step applies only if more than one Keypad is being used.

Step 1: On secondary Keypad enter Master PIN Number:




Step 2: Then: 

NOTE: To switch a secondary Keypad to a Main Keypad, enter the Master PIN Number followed by “57”.

Step 3: On Main Keypad enter Master PIN Number:



Step 4: Then: 

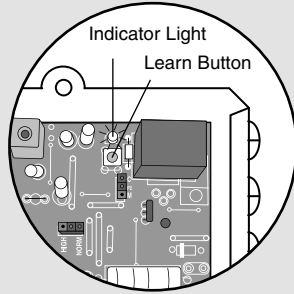
NOTE: If a siren noise is heard the programming has failed. Repeat process.

The Keypad can be used as a primary or secondary device. Accessories should be programmed directly to the primary device.

Pre-Installed Liftmaster Receiver

Step 1: Pry open the front panel of the receiver case with a coin or a screwdriver.

Step 2: Press and release the Learn button on the receiver. The Indicator Light will light for 30 seconds indicating that receiver is in Learn Mode.



Step 3: Within 30 seconds enter Master PIN Number on Keypad.

Step 4: Press "1".

Repeat Steps 2-4 for each remote, or control device that will be used to access the Liftmaster door or gate operator.

Erase All Control Codes

Press and hold the Learn button on the receiver until the Indicator Light turns off indicating that the receiver memory is clear (about 6 seconds).

Operation

To use Keypad, enter any valid PIN Number. With multiple Receivers, enter the PIN Number followed by the Receiver Identity (1-4).

Change Master PIN Number

Enter existing Master PIN Number on Keypad:



"BEEP"



Enter new Master PIN Number:



"BEEP"

Adding PIN Numbers

The WKP5LM can support up to 5 PIN Numbers while the WKP250LM can support 250.

Enter Master PIN Number on Keypad:



"BEEP"

Enter new PIN Number:



"BEEP"

Erasing PIN Numbers

Enter Master PIN Number on Keypad:



"BEEP"

Enter PIN number you want to remove:



"BEEP" "BEEP"

A triple beep indicates a PIN Number has been entered that does not exist. The Master PIN Number cannot be deleted.

Temporary PIN Numbers

A temporary PIN Number can be used only once within a 24 hour period.

NOTE: The WKP5LM can hold up to 5 Temporary PIN Numbers while the WKP250LM can hold 15.

Enter Master PIN Number on Keypad:



"BEEP"

Enter temporary PIN Number:



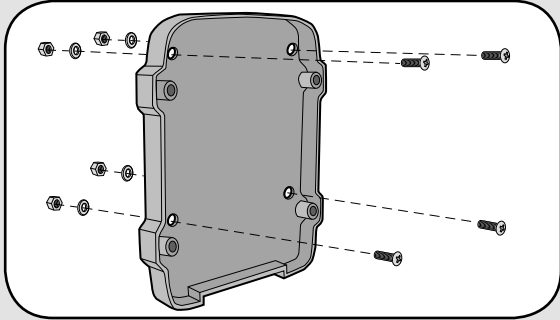
"BEEP"

If the temporary PIN Number applies only to a certain Receiver, enter the PIN Number followed by the Receiver Identity (1-4). The result will be a five digit PIN Number (example: 12341).

Mount Keypad

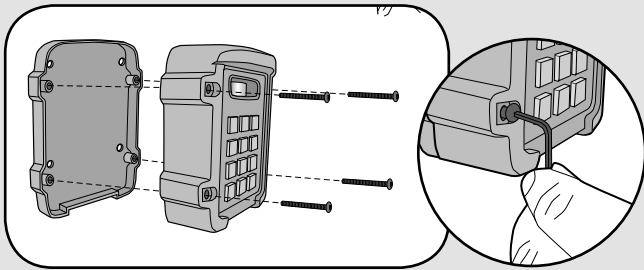
It is recommended that Keypad be mounted to a Gooseneck post or non-metallic surface. If it is necessary to mount Keypad to a metal surface, use a non-metallic spacer to move the Keypad away from the metal surface.

Step 1



Choose mounting location for Keypad. Remove the back panel and attach it to a solid surface or post.

Step 2

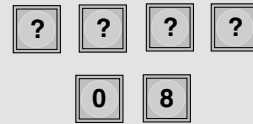


Mount the Keypad onto the back panel with screws. Tighten screws with Allen wrench.

Keypad Brightness

When it is dark, the panel will light when it detects movement (up to 5') or when a button is pressed.

Enter Master PIN Number on Keypad:



Enter one of the following brightness levels:



Default setting is 2.

Battery

The AA batteries (not provided) in the Keypad will typically last up to 3 years depending on use. (Lithium batteries recommended for colder environments.)

FOR TECHNICAL SUPPORT DIAL OUR TOLL FREE NUMBER:

1-800-528-2806

www.liftmaster.com

NOTICE: To comply with FCC and or Industry Canada rules (IC), adjustment or modifications of this receiver and/or transmitter are prohibited, except for changing the code setting or replacing the battery. THERE ARE NO OTHER USER SERVICEABLE PARTS.
Tested to Comply with FCC Standards FOR HOME OR OFFICE USE. Operation is subject to the following two conditions: (1) this device may not cause harmful interference, and (2) this device must accept any interference received, including interference that may cause undesired operation.

Warranty

The Chamberlain Group, Inc. ("Seller") warrants to the first purchaser of this product, for the structure in which this product is originally installed, that it is free from defect in materials and/or workmanship for a period of one year from the date of purchase.

The proper operation of this product is dependent on your compliance with the instructions regarding installation, operation, maintenance and testing. Failure to comply strictly with those instructions will void this limited warranty in its entirety.

If, during the limited warranty period, this product appears to contain a defect covered by this limited warranty, call 1-800-528-2806 before dismantling this product. Then send this product, pre-paid and insured, to our service center for warranty replacement. Products returned to Seller for warranty replacement, which upon receipt by Seller are confirmed to be defective and covered by this limited warranty, will be replaced (at Seller's sole option) at no cost to you and returned pre-paid. Defective parts will be replaced with new or factory-rebuilt parts at Seller's sole option.

THIS LIMITED WARRANTY IS IN LIEU OF ANY OTHER WARRANTIES, EXPRESS OR IMPLIED, INCLUDING ANY IMPLIED WARRANTY OF MERCHANTABILITY OR FITNESS FOR A PARTICULAR PURPOSE OR OTHERWISE, AND OF ANY OTHER OBLIGATIONS OR LIABILITY ON SELLER'S PART. THIS LIMITED WARRANTY DOES NOT COVER NON-DEFECT DAMAGE, DAMAGE CAUSED BY IMPROPER INSTALLATION, OPERATION OR CARE (INCLUDING, BUT NOT LIMITED TO ABUSE, MISUSE, FAILURE TO PROVIDE REASONABLE AND NECESSARY MAINTENANCE, UNAUTHORIZED REPAIRS OR ANY ALTERATIONS TO THIS PRODUCT), LABOR CHARGES FOR REINSTALLING A REPAIRED OR REPLACED UNIT, PROBLEMS RELATED TO INTERFERENCE, OR REPLACEMENT OF BATTERIES.

UNDER NO CIRCUMSTANCES SHALL SELLER BE LIABLE FOR CONSEQUENTIAL, INCIDENTAL OR SPECIAL DAMAGES ARISING IN CONNECTION WITH USE, OR INABILITY TO USE, THIS PRODUCT. IN NO EVENT SHALL SELLER'S LIABILITY FOR BREACH OF WARRANTY, BREACH OF CONTRACT, NEGLIGENCE OR STRICT LIABILITY EXCEED THE COST OF THE PRODUCT COVERED HEREBY. NO PERSON IS AUTHORIZED TO ASSUME FOR US ANY OTHER LIABILITY IN CONNECTION WITH THE SALE OF THIS PRODUCT.

Some States do not allow the exclusion or limitation of consequential, incidental or special damages, so the above limitation or exclusion may not apply to you. This limited warranty gives you specific legal rights, and you may also have other rights which vary from state to state.

Free Manuals Download Website

<http://myh66.com>

<http://usermanuals.us>

<http://www.somanuals.com>

<http://www.4manuals.cc>

<http://www.manual-lib.com>

<http://www.404manual.com>

<http://www.luxmanual.com>

<http://aubethermostatmanual.com>

Golf course search by state

<http://golfingnear.com>

Email search by domain

<http://emailbydomain.com>

Auto manuals search

<http://auto.somanuals.com>

TV manuals search

<http://tv.somanuals.com>