

Crestron **BB-6X-DSW**

Pre-Construction Wall Mount Back Box
for TPS-6X-DSW

Installation Guide



This document was prepared and written by the Technical Documentation department at:



Crestron Electronics, Inc.

15 Volvo Drive

Rockleigh, NJ 07647

1-888-CRESTRON

All brand names, product names and trademarks are the property of their respective owners.
©2008 Crestron Electronics, Inc.

Contents

Pre-Construction Wall Mount Back Box: BB-6X-DSW	1
Description.....	1
Setup.....	5
Assembly.....	5
Mounting.....	5
Installation.....	7
Other Mounting Option Accessories.....	8
Resources.....	9
Industry Compliance.....	9
Reference Documents.....	9
Further Inquiries.....	9
Future Updates.....	9
Return and Warranty Policies.....	10
Merchandise Returns / Repair Service.....	10
CRESTRON Limited Warranty.....	10

Pre-Construction Wall Mount Back Box: BB-6X-DSW

Description

The Crestron® BB-6X-DSW back box provides a UL®-listed, recess-mounted steel enclosure for the TPS-6X-DSW Wall Mount Docking Station. Designed for pre-construction applications, the BB-6X-DSW permits fastening to the left or right side of a stud in a framed wall prior to installation of sheet rock. Conduit knockouts are provided on the top and bottom to accommodate a variety of fittings and a blank cover plate is included.

NOTE: If mounting into a material other than drywall (for example, wood lectern, concrete or rock) use the cutout template, available in the post-construction kit MMK-6X-DSW or TMK-6X-DSW.

NOTE: For concrete and rock mounting material, allow for proper ventilation before mounting the TPS-6X-DSW.

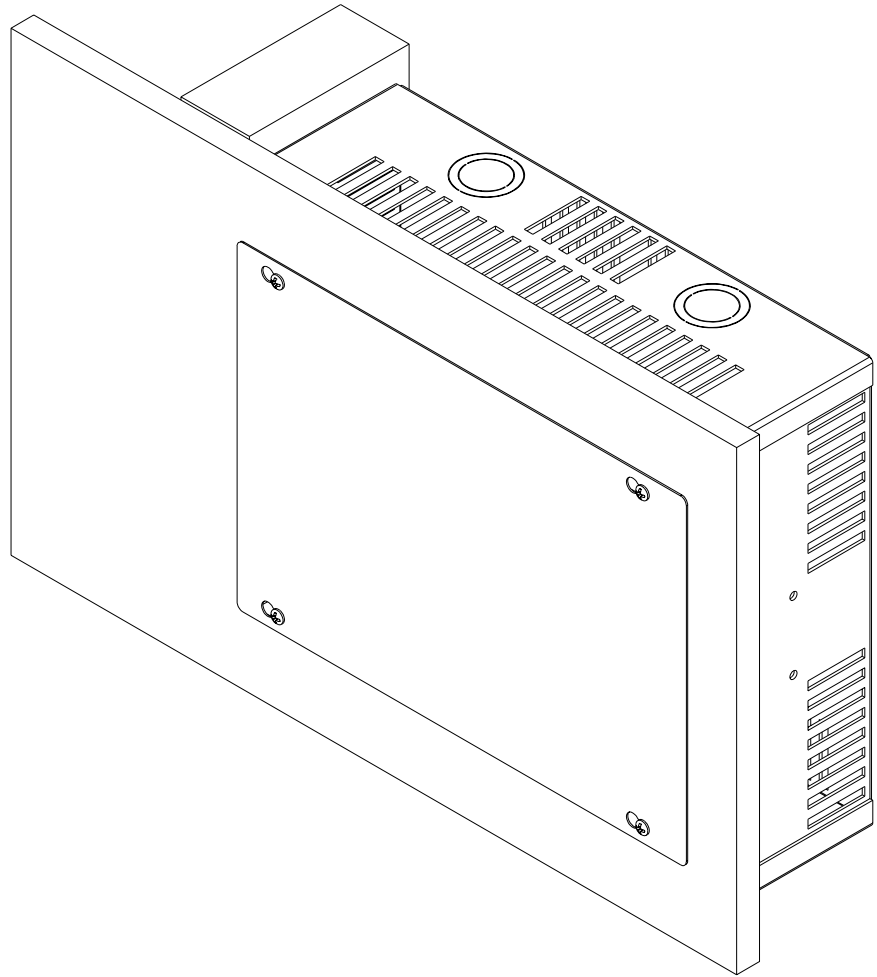
The table below lists all parts included with the BB-6X-DSW.

Supplied Hardware for the BB-6X-DSW

DESCRIPTION	PART NUMBER	QUANTITY
Assembly, Wall Mount, Back Box	4507462	1
Metal, Plate, Blank, Cover	2022825	1
Screw, #06-32 x 1-1/2", Pan, Phil	2007254	4
Screw, #08-8B, 1/4", Pan, Phil	2007277	1

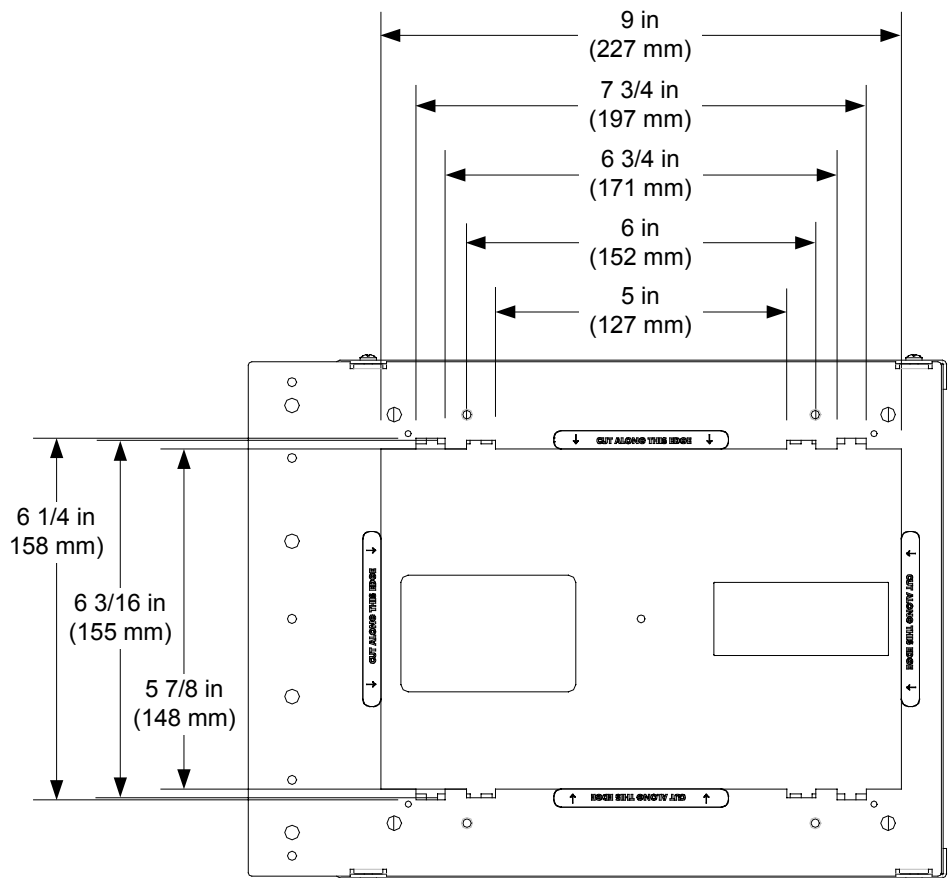
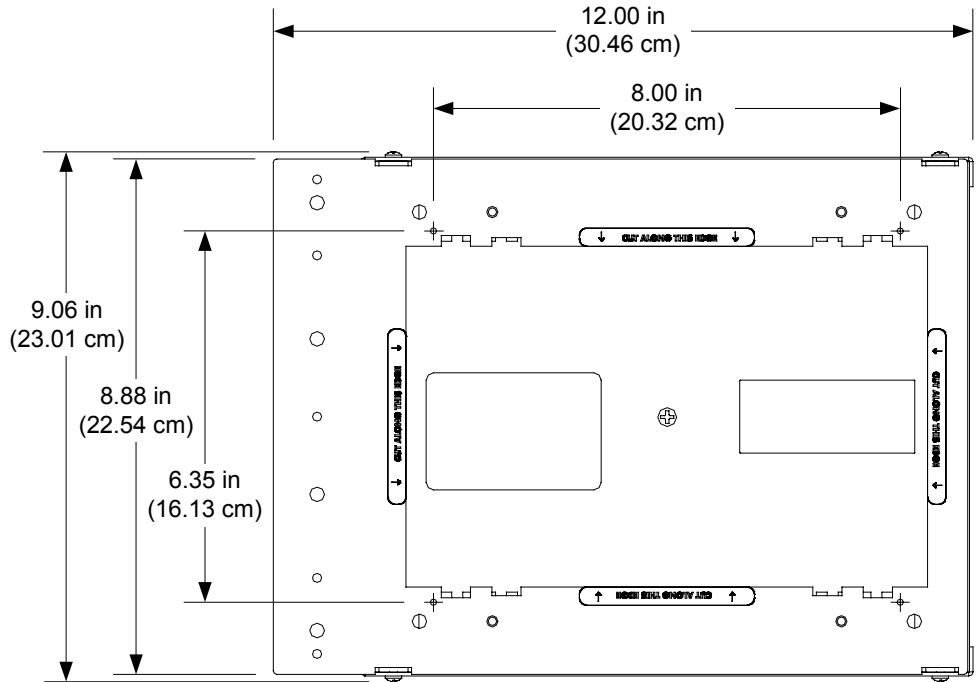
The mounted view of the BB-6X-DSW is shown in the following illustration.

BB-6X-DSW Mounted View (Optional Cover Plate Attached)

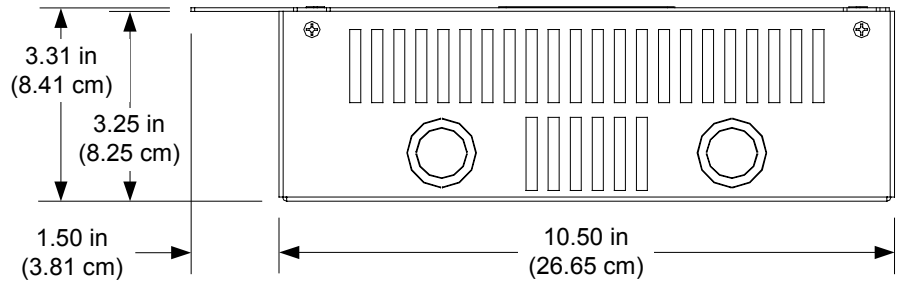


The dimensions of the BB-6X-DSW are shown in the following illustration.

BB-6X-DSW Overall Dimensions (Front View)

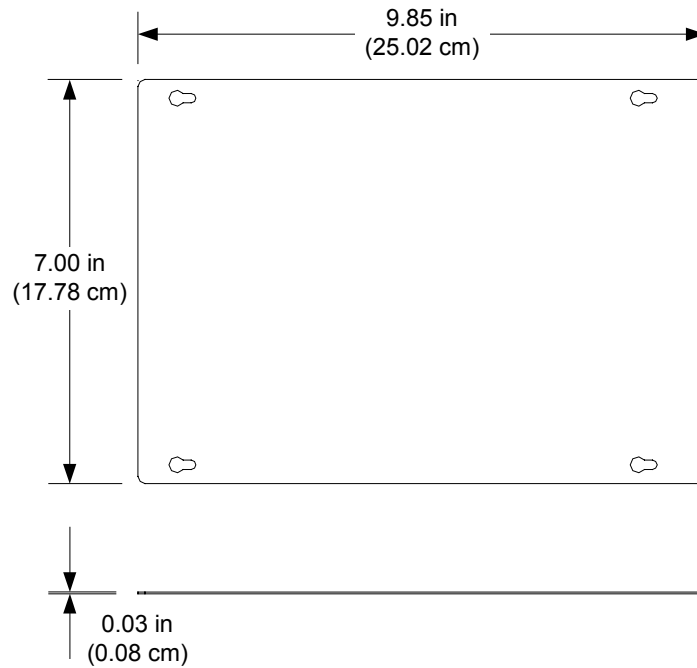


BB-6X-DSW Overall Dimensions (Bottom View)



NOTE: Knockout holes are intended for Class 2 wiring only and are 1/2" and 3/4" diameter.

BB-6X-DSW Overall Dimensions (Cover Plate)



Setup

Assembly

Required Tools:

- #2 Phillips tip screwdriver

The back box mounting enclosure comes fully assembled except for a grounding screw. To prepare for mounting, complete the following procedure:

1. Remove knockouts as required.
2. Attach the supplied #08-8B self-tapping screw to back box mounting enclosure assembly for grounding.

NOTE: The #08-8B self-tapping screw (2007277), supplied for grounding purposes, is installed in the rear of the back box mounting enclosure assembly.

Mounting

Required Tools and Materials:

- #2 Phillips tip screwdriver
- Level
- Standard drywall screws or nails (not included)

CAUTION: Allow an air gap of a least 12 inches (30.48 cm) in the wall cavity above and below the TPS-6X-DSW for heat dissipation.

NOTE: If your installation is not on wooden studs, be sure to consider the needs of your particular situation. For example, screw type may vary for steel studs, etc.

To mount the back box, complete the following procedure (refer to illustration on the following page).

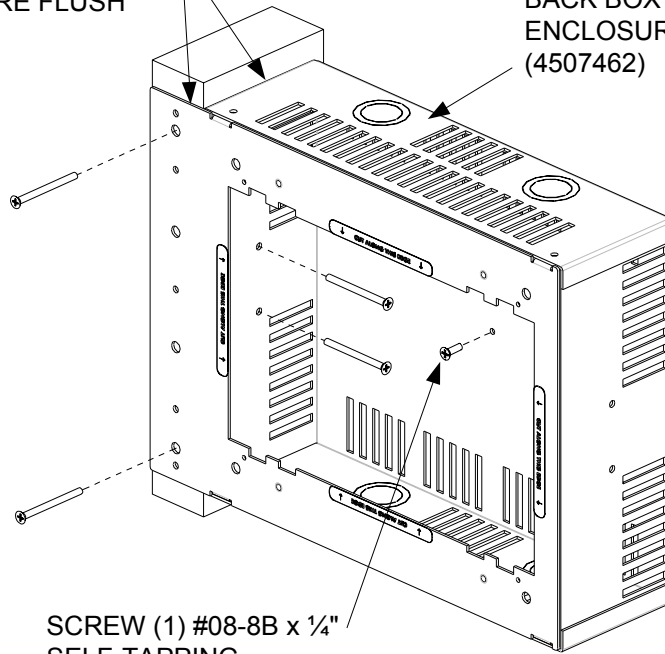
1. Position the back box against the stud so the extended edge of the attached mounting plate covers the front edge of the stud. Be sure the side of the back box is also against the side of the stud.
2. Use the level and verify the back box is horizontal. Leveling must be done before proceeding.
3. Attach the back box to the left or right side of the stud with standard drywall screws or nails (not included). If mounting to the left side of a stud, the back box must be turned over so the extended edge of the attached mounting plate is on the right side.
4. Feed cables through the knockout holes.

NOTE: This assembly should use Class 2 wiring only.

Mounting the Back Box

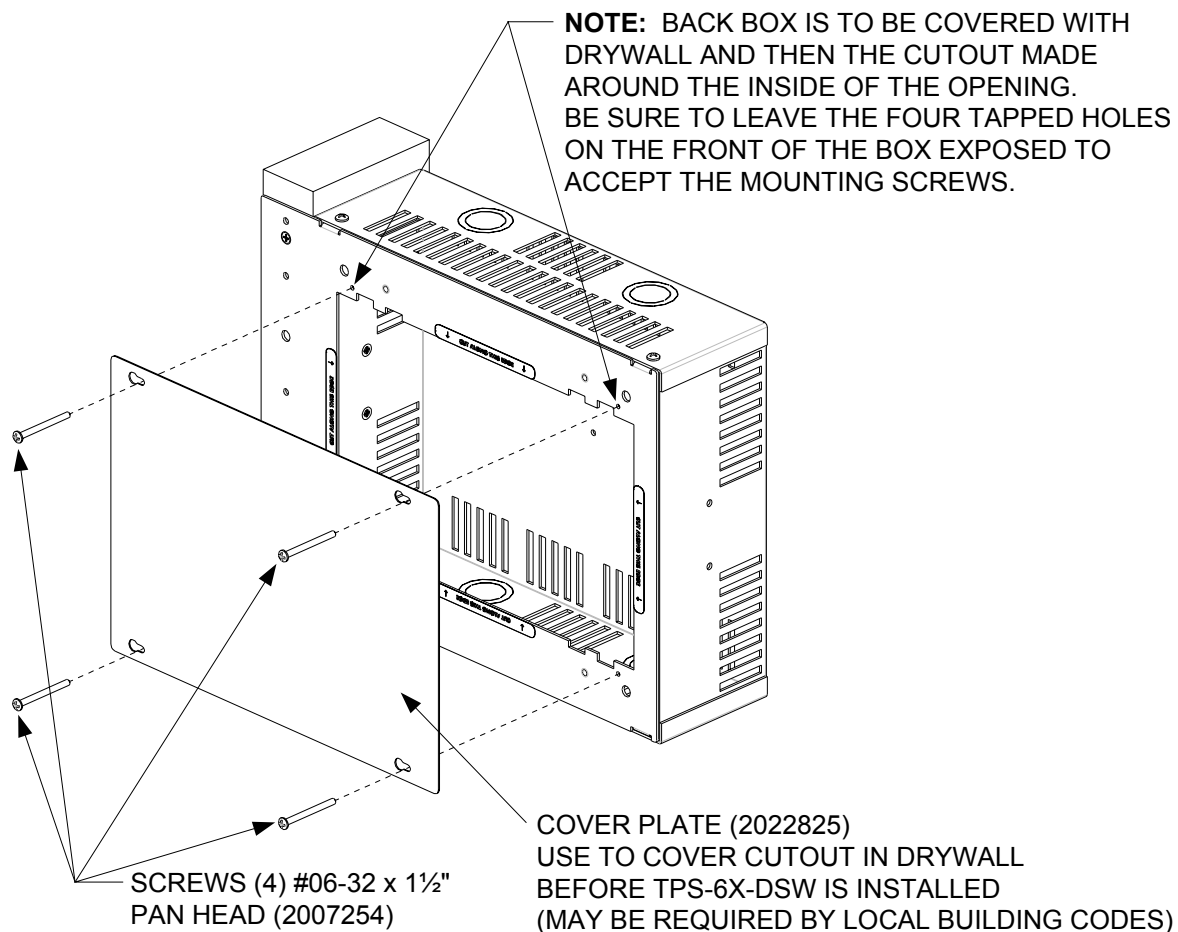
ENSURE THESE SURFACES ARE FLUSH

BACK BOX MOUNTING ENCLOSURE ASSEMBLY (4507462)



SCREW (1) #08-8B x 1/4" SELF-TAPPING FOR GROUNDING (2007277)

NOTE: BE SURE THE ASSEMBLY IS LEVEL WHEN MOUNTED.

Mounted View with Cover Plate (Mounting Example Prior to Drywall Installation)

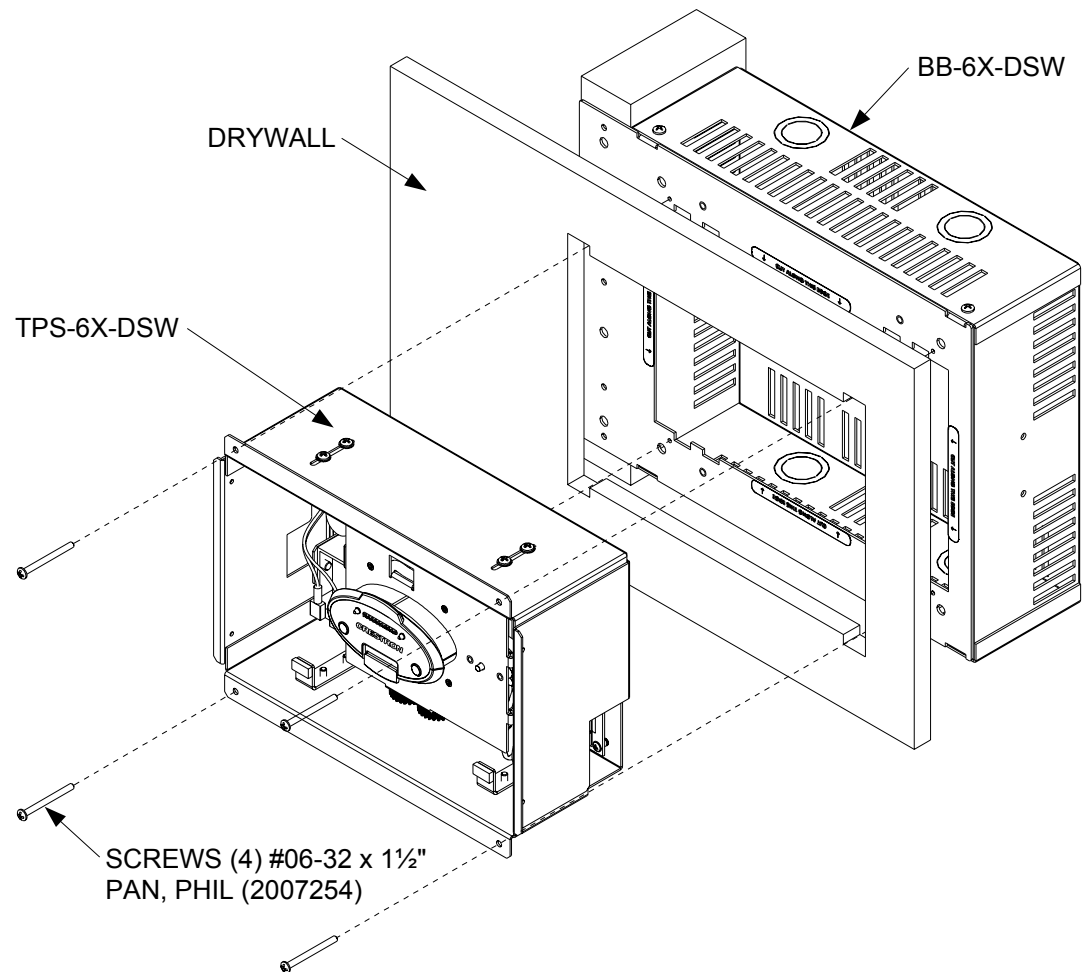
NOTE: Cut the drywall to the inside edge of the front of the back box. The labels on the front of the back box indicate the perimeter of the opening that should be cut out.

NOTE: The four tapped holes on the front of the back box must be exposed to accept the TPS-6X-DSW mounting screws. The holes are found beneath the drywall just outside of the four corners of the opening made by cutting out the drywall. Refer to the **NOTE** in "Mounted View with Cover Plate" above.

Installation

Complete the installation by either installing the TPS-6X-DSW, leaving the hole open (if permitted by local building codes) or installing the optional cover plate with the included #06-32 x 1½" screws, as shown in the illustration above.

If the TPS-6X-DSW is to be installed, refer to the latest revision of the TPS-6X-DSW Operations & Installation Guide (Doc. 6708) for installation instructions. The document is available from the Crestron website (www.crestron.com/manuals). Refer also to the comprehensive illustration on the following page.

Mounting TPS-6X-DSW Docking Assembly and BB-6X-DSW Back Box – Exploded View

Other Mounting Option Accessories

If too much of the mounting plate is exposed after the drywall is cut, you may need to patch the area. Crestron provides the following accessories:

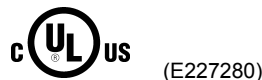
- MMK-6X-DSW (Doc. 6779) – for larger repairs and to fill in larger irregularities around the opening (requires plastering).
- TMK-6X-DSW (Doc. 6780) – for smaller repairs and to provide a smooth edge at the opening. This option provides a finished appearance and is preferred when wallpaper is hung.

The manuals for the MMK-6X-DSW and TMK-6X-DSW are available from the Crestron website.

Resources

Industry Compliance

This product is Listed to applicable UL Standards and requirements by Underwriters Laboratories Inc.



As of the date of manufacture, the BB-6X-DSW has been tested and found to comply with specifications for CE marking and standards per EMC and Radiocommunications Compliance Labelling.



Reference Documents

The latest version of all documents mentioned within the guide can be obtained from the Crestron website (www.crestron.com/manuals). This link will provide a list of product manuals arranged in alphabetical order by model number.

List of Related Reference Documents

DOCUMENT TITLE
MMK-6X-DSW Mud Mount Kit
TMK-6X-DSW Trim Ring Mount Kit
TPS-6X-DSW Wall Mount Docking Assembly for TPS-6X

Further Inquiries

If you cannot locate specific information or have questions after reviewing this guide, please take advantage of Crestron's award winning customer service team by calling Crestron at 1-888-CRESTRON [1-888-273-7876].

You can also log onto the online help section of the Crestron website (www.crestron.com/onlinehelp) to ask questions about Crestron products. First-time users will need to establish a user account to fully benefit from all available features.

Future Updates

As Crestron improves functions, adds new features and extends the capabilities of the BB-6X-DSW, additional information may be made available as manual updates. These updates are solely electronic and serve as intermediary supplements prior to the release of a complete technical documentation revision.

Check the Crestron website periodically for manual update availability and its relevance. Updates are identified as an “Addendum” in the Download column.

Return and Warranty Policies

Merchandise Returns / Repair Service

1. No merchandise may be returned for credit, exchange or service without prior authorization from CRESTRON. To obtain warranty service for CRESTRON products, contact an authorized CRESTRON dealer. Only authorized CRESTRON dealers may contact the factory and request an RMA (Return Merchandise Authorization) number. Enclose a note specifying the nature of the problem, name and phone number of contact person, RMA number and return address.
2. Products may be returned for credit, exchange or service with a CRESTRON Return Merchandise Authorization (RMA) number. Authorized returns must be shipped freight prepaid to CRESTRON, 6 Volvo Drive, Rockleigh, N.J. or its authorized subsidiaries, with RMA number clearly marked on the outside of all cartons. Shipments arriving freight collect or without an RMA number shall be subject to refusal. CRESTRON reserves the right in its sole and absolute discretion to charge a 15% restocking fee plus shipping costs on any products returned with an RMA.
3. Return freight charges following repair of items under warranty shall be paid by CRESTRON, shipping by standard ground carrier. In the event repairs are found to be non-warranty, return freight costs shall be paid by the purchaser.

CRESTRON Limited Warranty

CRESTRON ELECTRONICS, Inc. warrants its products to be free from manufacturing defects in materials and workmanship under normal use for a period of three (3) years from the date of purchase from CRESTRON, with the following exceptions: disk drives and any other moving or rotating mechanical parts, pan/tilt heads and power supplies are covered for a period of one (1) year; touchscreen display and overlay components are covered for 90 days; batteries and incandescent lamps are not covered.

This warranty extends to products purchased directly from CRESTRON or an authorized CRESTRON dealer. Purchasers should inquire of the dealer regarding the nature and extent of the dealer's warranty, if any.

CRESTRON shall not be liable to honor the terms of this warranty if the product has been used in any application other than that for which it was intended or if it has been subjected to misuse, accidental damage, modification or improper installation procedures. Furthermore, this warranty does not cover any product that has had the serial number altered, defaced or removed.

This warranty shall be the sole and exclusive remedy to the original purchaser. In no event shall CRESTRON be liable for incidental or consequential damages of any kind (property or economic damages inclusive) arising from the sale or use of this equipment. CRESTRON is not liable for any claim made by a third party or made by the purchaser for a third party.

CRESTRON shall, at its option, repair or replace any product found defective, without charge for parts or labor. Repaired or replaced equipment and parts supplied under this warranty shall be covered only by the unexpired portion of the warranty.

Except as expressly set forth in this warranty, CRESTRON makes no other warranties, expressed or implied, nor authorizes any other party to offer any warranty, including any implied warranties of merchantability or fitness for a particular purpose. Any implied warranties that may be imposed by law are limited to the terms of this limited warranty. This warranty statement supersedes all previous warranties.

Trademark Information

All brand names, product names and trademarks are the sole property of their respective owners. Windows is a registered trademark of Microsoft Corporation. Windows95/98/Me/XP/Vista and WindowsNT/2000 are trademarks of Microsoft Corporation.

This page is intentionally left blank.



Crestron Electronics, Inc.
15 Volvo Drive Rockleigh, NJ 07647
Tel: 888.CRESTRON
Fax: 201.767.7576
www.crestron.com

Installation Guide – DOC. 6728A
(2021897)
12.08
Specifications subject to
change without notice.

Free Manuals Download Website

<http://myh66.com>

<http://usermanuals.us>

<http://www.somanuals.com>

<http://www.4manuals.cc>

<http://www.manual-lib.com>

<http://www.404manual.com>

<http://www.luxmanual.com>

<http://aubethermostatmanual.com>

Golf course search by state

<http://golfingnear.com>

Email search by domain

<http://emailbydomain.com>

Auto manuals search

<http://auto.somanuals.com>

TV manuals search

<http://tv.somanuals.com>