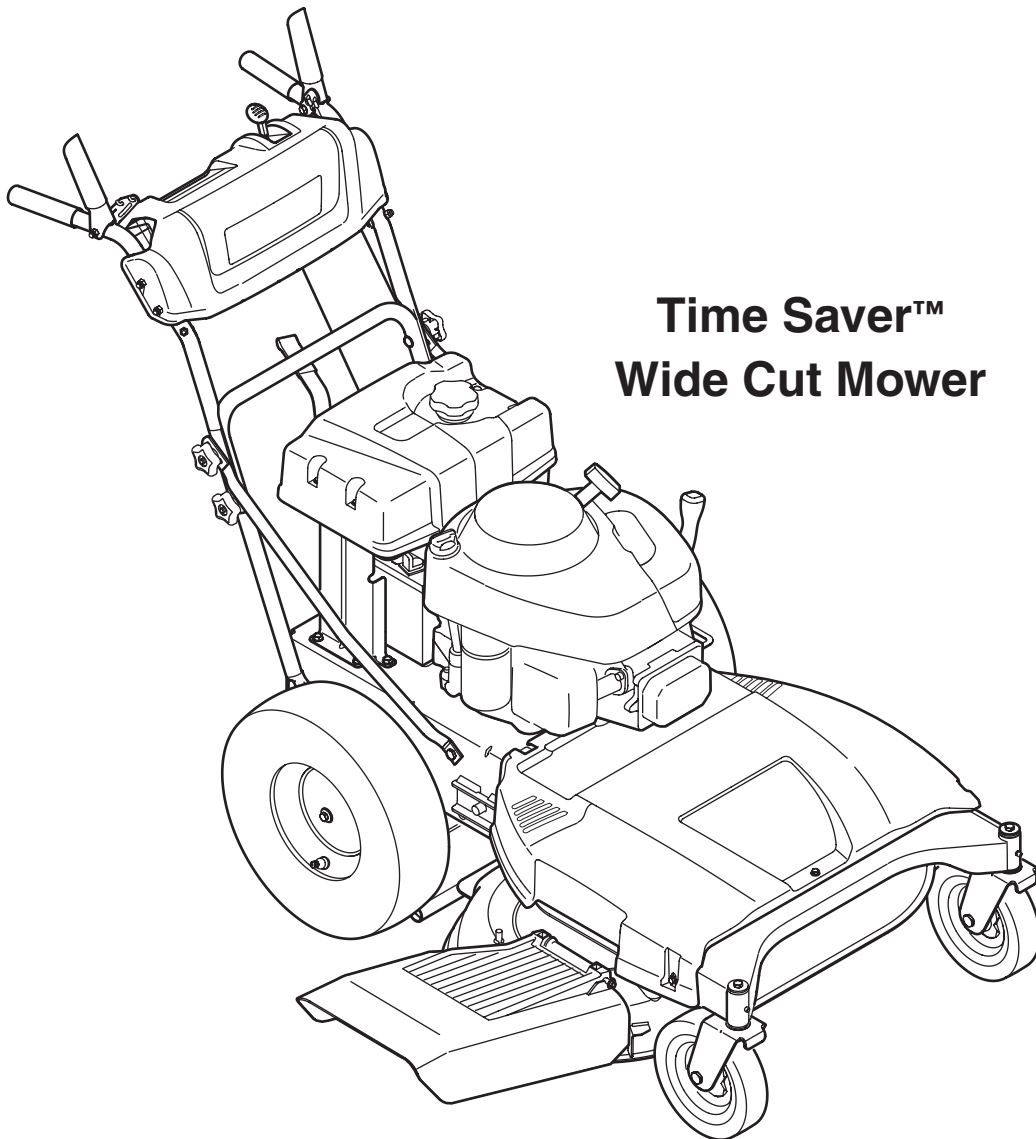


---

# PARTS MANUAL

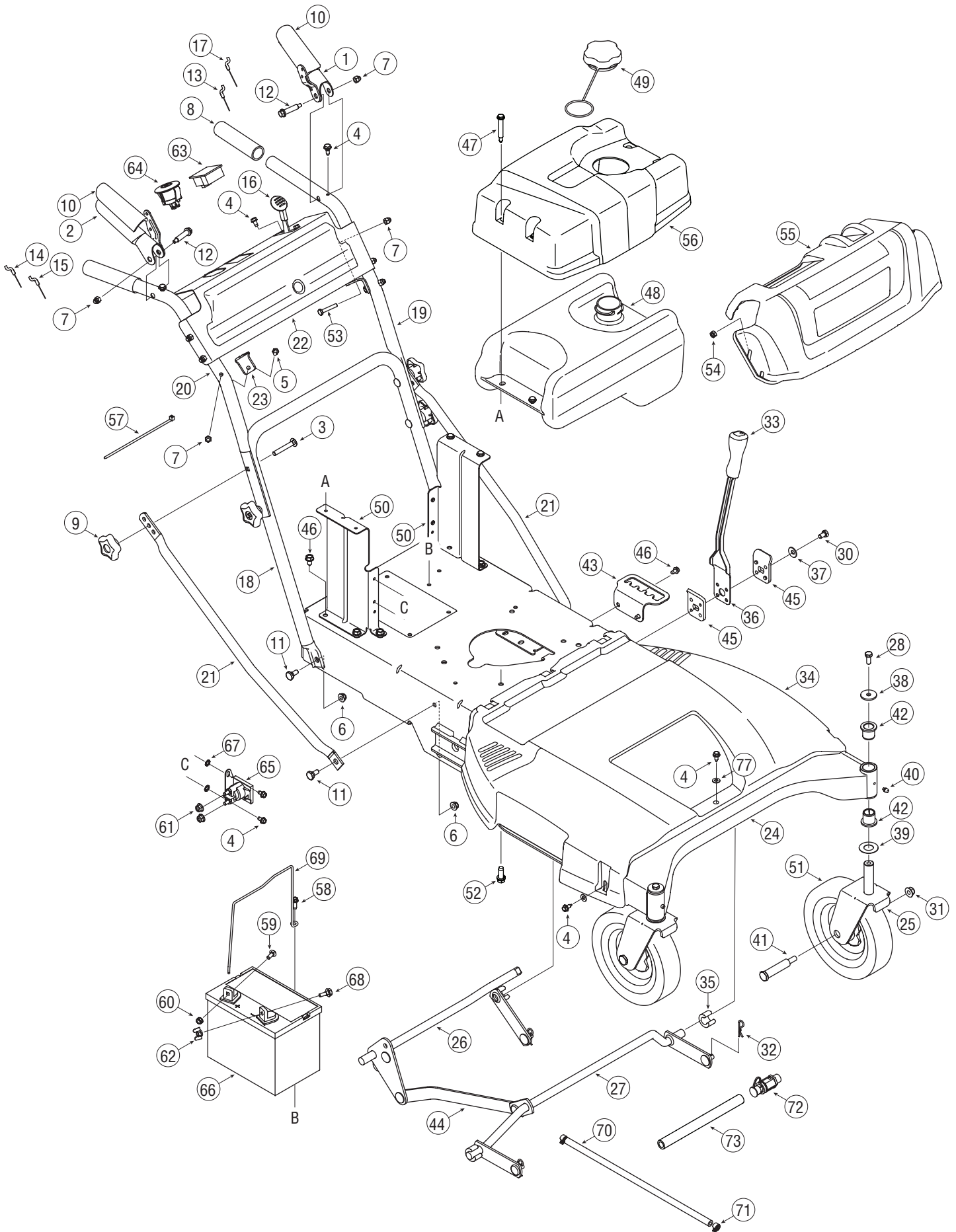
## *Cub Cadet*®



**Time Saver™**  
**Wide Cut Mower**



**1-800-965-4CUB**  
**[www.cubcadet.com](http://www.cubcadet.com)**

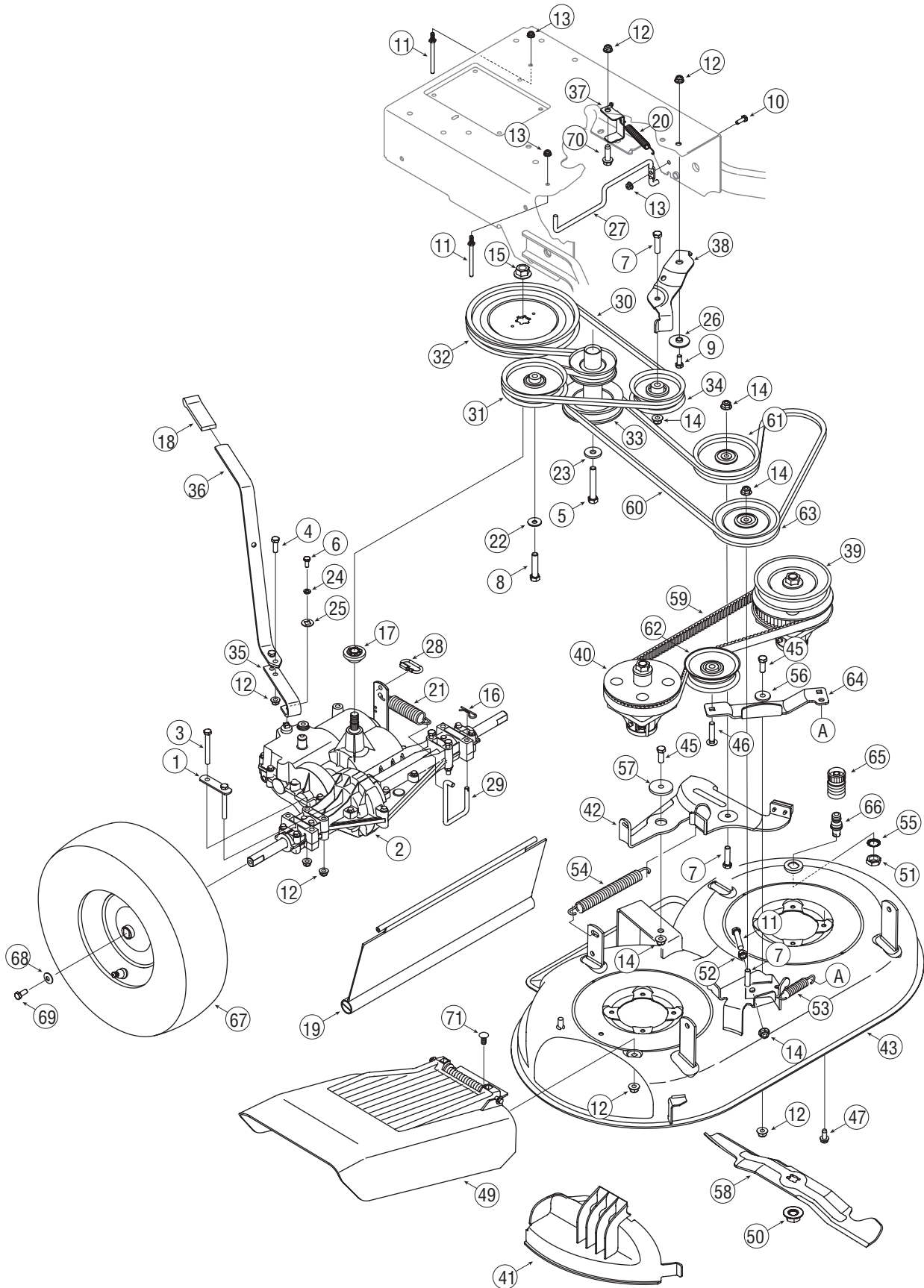


# 12AE764

Ref.	Part No.	Description
1	687-02277	Lever Assembly: LH
2	687-02278	Lever Assembly: RH
3	710-0449	Screw, Carriage: 5/16-18 x 2.25
4	710-0599	Screw, TT: 1/4-20 x 0.500
5	710-0606	Screw, HH Cap: 1/4-20 x 1.50
6	712-04063	Nut, Flange Lock: 5/16-18
7	712-0442	Nut, Lock Cap: 1/4-20
8	720-0274	Grip: 1.0 ID x 5.0 Lg
9	720-04072	Star Knob 5/16-18
10	731-0473	Handle Grip
11	738-0140	Screw, Shoulder: .435 x .178-5/16
12	738-1226	Screw, Shoulder: .375 x 1.355: 1/4-20
13	746-04343	Cable, Clutch Wheel
14	746-04344	Cable, Brake, Transmission: RH
15	746-04346	Cable, Clutch Deck
16	746-04355	Cable, Throttle/Choke: 38 x 1.1 Ext
17	746-04361	Cable, Brake, Transmission: LH
18	749-04330	Lower Handle
19	749-04331	Upper Handle: LH
20	749-04332	Upper Handle: RH
21	749-04333	Brace Tube
22	787-01548	Handle Panel
23	787-01490	Cable Mount Bracket: RH
	787-01491	Cable Mount Bracket: LH
24	687-02255	Frame Assembly
25	687-02263	Caster Wheel Bracket Assembly
26	687-02264	Deck Lift Assembly: RR
27	687-02265	Deck Lift Assembly: Front
28	710-0627	Screw, HH Cap: 5/16-24 x .750
29	710-04187	Screw, HL: 1/4-50 x .50
30	710-04312	Screw, HH Cap: 5/16-18 x .50
31	712-04065	Nut, Flange Lock: 3/8-16
32	714-0145	Click Pin: .092 x 1.64
33	720-0311	Handle Grip 1/2
34	731-05684	Belt Cover 33 Wide Cut Mower
35	731-05791	Snap Spacer: .63 ID x .75 LG
36	732-04418	Deck Height Lever
37	736-0242	Washer, Bell: .340 x .872 x .060
38	736-0343	Washer, Flat: .330 x 1.25 x .120

Ref.	Part No.	Description
39	736-0351	Washer, Flat: .760 ID x 1.50 OD
40	737-3000	Lube Fitting: 3/16: LNC#70
41	738-04216A	Bolt, Shoulder: .625 x 2.515 x 3/8-16
42	741-0660A	Flange Bearing: .760 x .941 x 1.0
43	787-01496	Height Adjustment Bracket
44	787-01510	Link Pivot Bracket
45	787-01521	Lever Pivot Bracket
46	710-0604A	Screw, TT: 5/16-18 x .625
47	738-04282	Screw, Shoulder: .32 x 1.8 x 1/4-20
48	751-10541	Fuel Tank, 2 Gal.
49	751-10514	Fuel Cap
50	787-01507	Fuel Tank Mounting Bracket
51	634-04345	Wheel Caster 8 x 1.75
52	710-1315	Screw, TT: 3/8-16 x 1.25
53	710-0136	Screw, HH Cap: 1/4-20 x 1.75
54	712-3006	Nut, Hex: 1/4-20
55	731-05937	Handle Panel
56	731-05927	Tank Cover
57	725-0157	Cable Tie
58	710-0642	Screw, TT: 1/4-20 x .75
59	710-0703	Screw, Carriage: 1/4-20 x .75
60	710-0271	Nut, Sems: 1/4-20
61	712-04064	Nut, Flange Lock: 1/4-20
62	712-3087	Wing Nut
63	725-04022B	Hour Indicator Meter
64	725-04228	Key Switch
65	725-04439	Solenoid, 12V
66	725-1704A	Battery
67	736-0222	Lock Washer
68	738-1132	Screw, Shoulder: .250 x .150 x 1/4-20
69	747-04657	Battery Hold Down
70	751-10349	Fuel Hose
71	726-0205	Hose Clamp
72	751-10517	Oil Drain
73	751-3141	Oil Drain Hose
74*	725-2054	Key, Ignition
75*	725-04476	Wiring Harness
76*	725-04478	Starter Wire
77	736-0463	Washer, Flat: .25 x .63 x .0515

\* Not pictured



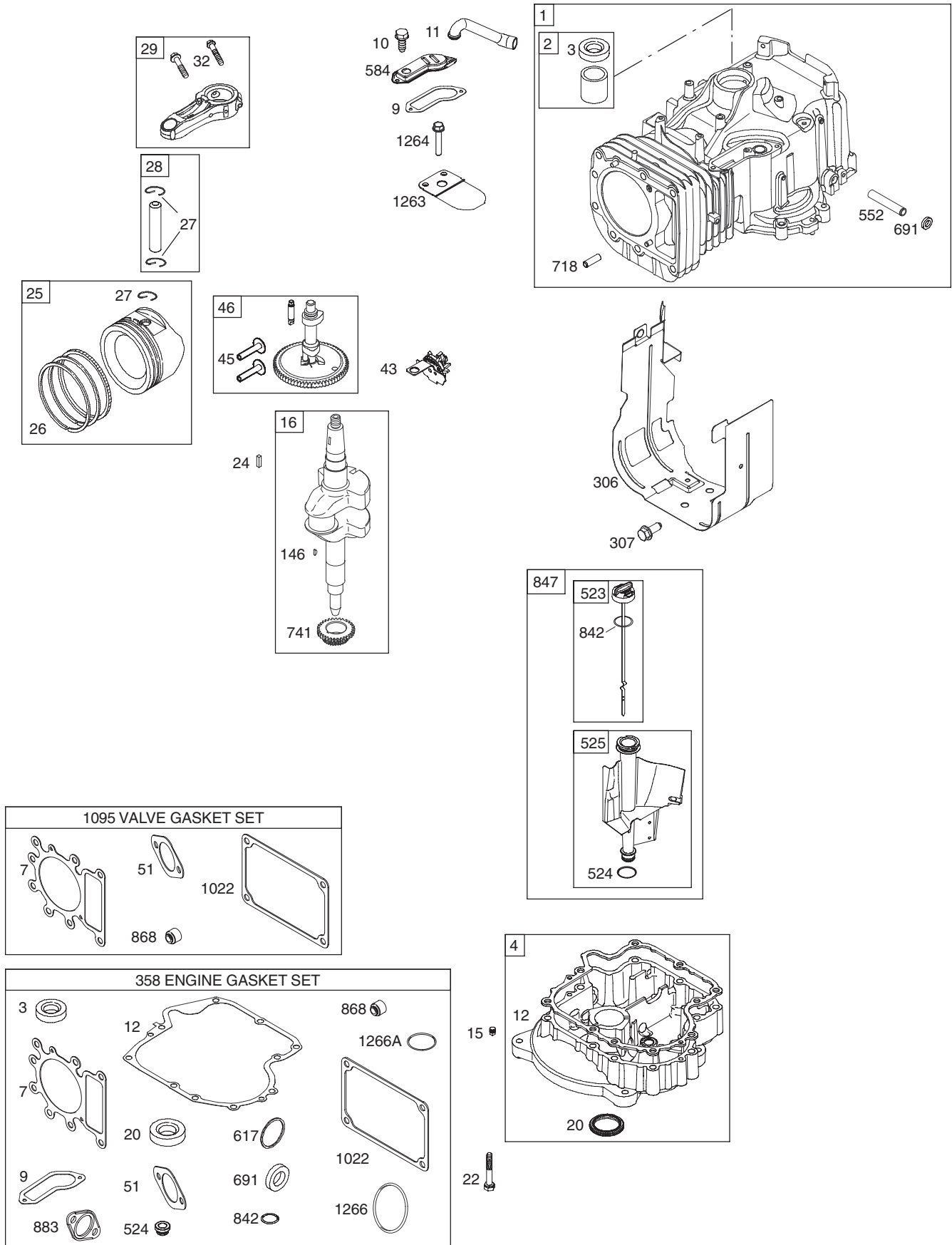
# 12AE764

Ref. No.	Part No.	Description
1	17840	Transaxle Bracket Mount
2	618-04452	Transmission 4-Speed
3	710-0176	Screw, HH Cap: 5/16-18 x 2.75"
4	710-0376	Screw, HH Cap: 5/16-18 x 1.00"
5	710-04377	Screw, HH Cap: 7/16-20 x 2.75"
6	710-0513	Screw, HH Cap: 1/4-28 x .625"
7	710-0520	Screw, HH Cap: 3/8-16 x 1.50"
8	710-1878	Screw, HH Cap: 3/8-16 x 1.75"
9	710-3008	Screw, HH Cap: 5/16-18 x .75"
10	710-3015	Screw, HH Cap: 1/4-20 x .75"
11	711-1000	Belt Keeper
12	712-04063	Nut, Flange Lock: 5/16-18
13	712-04064	Nut, Flange Lock: 1/4-20
14	712-04065	Nut, Flange Lock: 3/8-16
15	712-0700	Nut, Flange: 9/16-18
16	714-0145	Hairpin Clip: .092" x 1.64" Long
17	718-0758A	Pulley Hub
18	720-0142	Grip
19	731-05766	Trailing Shield
20	732-04409	Extension Spring
21	732-04443	Extension Spring
22	736-0105	Washer, Spring: .401" x .870" x .063"
23	736-0322	Washer, Flat: 450" x 1.250" x .164"
24	736-0329	Washer, Lock: 1/4"
25	736-04256	Washer, Flat: .39" x .87" x .06"
26	738-04166	Spacer, Shoulder: .50" x .1475"
27	747-04635	Belt Keeper Rod
28	747-04673	Loop Link Coupling
29	747-04678	Trans Mount Rod
30	754-04145	Belt, V Type, Drive
31	756-04129	Idler Pulley: 4.25" Dia.
32	756-04258	Flat Sheave 7.75"
33	756-04260	Engine Pulley 3.20" x 4.35" Dia.
34	756-04280	Idler Pulley 3.50" Dia.
35	787-01469	Shift Rod, Lower

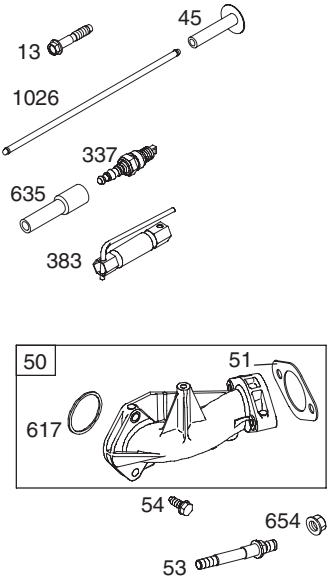
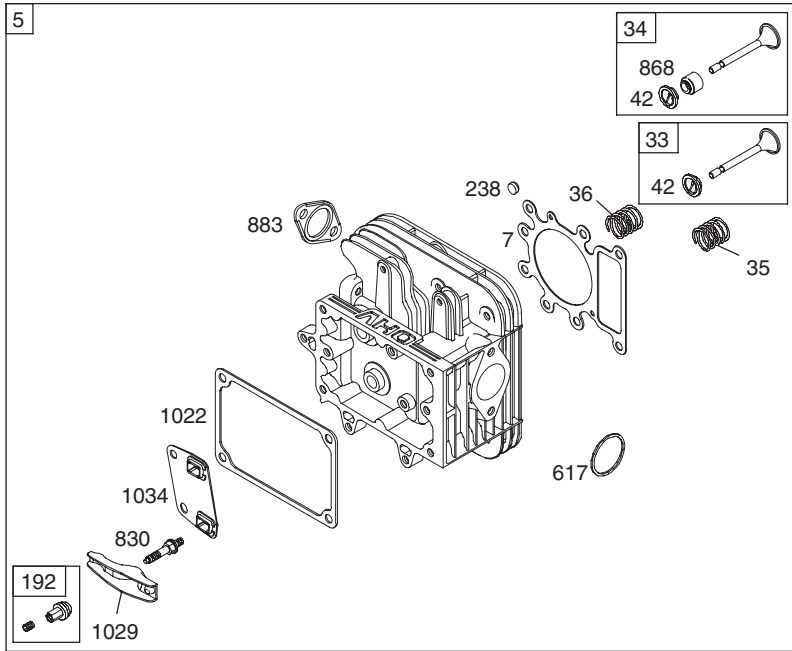
Ref. No.	Part No.	Description
36	787-01470	Shift Rod, Upper
37	787-01473	Belt Keeper
38	787-01523	Wheel Drive idler Bracket
39	618-04438	Drive Spindle Assembly
40	618-04439	Spacer Spindle Assembly
41	731-05938	Mulch Plug
42	687-02251	Idler Arm Assembly
43	687-02254	Deck Assembly 33-inch
44	710-0451	Bolt, Carriage: 5/16-18 x .75"
45	710-0514	Screw, HH Cap: 3/8-16 x 1.00"
46	710-3106A	Screw, Carriage: 3/8-16 x 1.75"
47	710-1260A	Screw, LD: 5/16-18 x .750"
48	710-3184	Screw, HH Cap: 3/8-16 x 2.00"
49	631-04244	Chute Deflector Assembly
50	712-0417A	Nut, Flange: 5/8-18
51	712-0641	Nut, Hex
52	712-3017	Nut, Hex 3/8-16
53	732-04406	Extension Spring: Timing Belt Tension
54	732-04452	Extension Spring: Deck Brake
55	736-0760	Washer, Lock
56	738-0347	Spacer, Shoulder: .625" x .169"
57	738-04162A	Spacer, Shoulder: .884" x .190"
58	742-04154	Blade: 17.9"
59	754-04136	Belt, Blade Timing
60	754-04139	Belt, V Type, Deck Engagement
61	756-04129	Idler Pulley 4.25"
62	756-04280	Idler Pulley 3.50"
63	756-0616	Idler Pulley V-Type 5.0"
64	787-01440	Idler Timing Bracket
65	721-04041	Water Nozzle Adapter
66	737-04003C	Water Nozzle
67	634-04349	Wheel 16 x 4 x 8
68	736-0242	Washer, Bell: .340" x .872" x .060"
69	710-0627	Screw, HH Cap: 5/16-24 x .75"
70	710-1315	Screw, TT: 3/8-16 x 1.25"
71	710-1236	Screw, Carriage: 5/16-18 x 1.00"

For a proper working machine, use Factory Approved Parts. V-belts are specially designed to engage and disengage safely. A substitute (non-OEM) V-Belt can be dangerous by not disengaging completely.

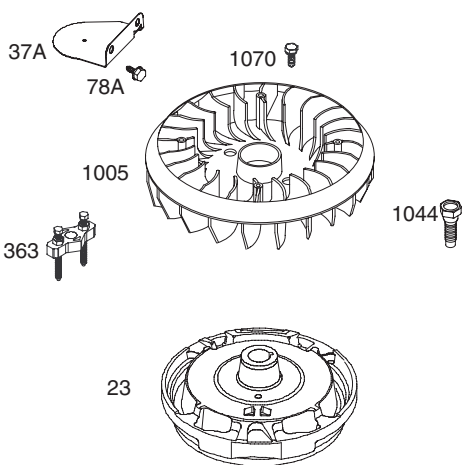
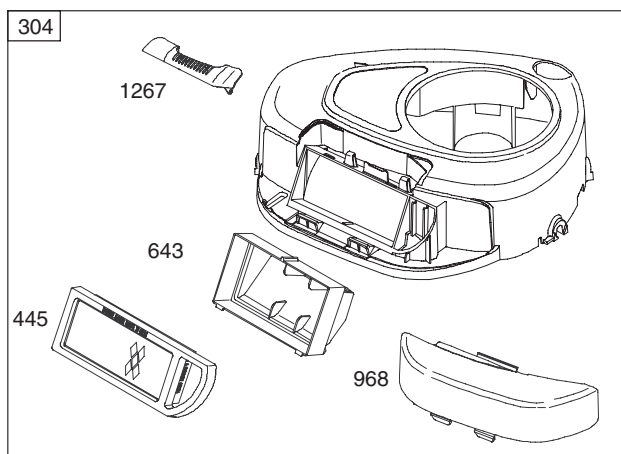
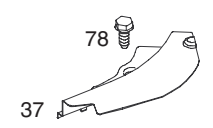
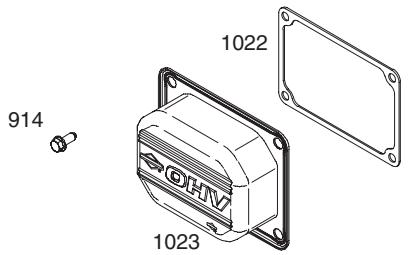
# Briggs & Stratton 10.5 H.P. Engine 215707-0507-E1



# Briggs & Stratton 10.5 H.P. Engine 215707-0507-E1

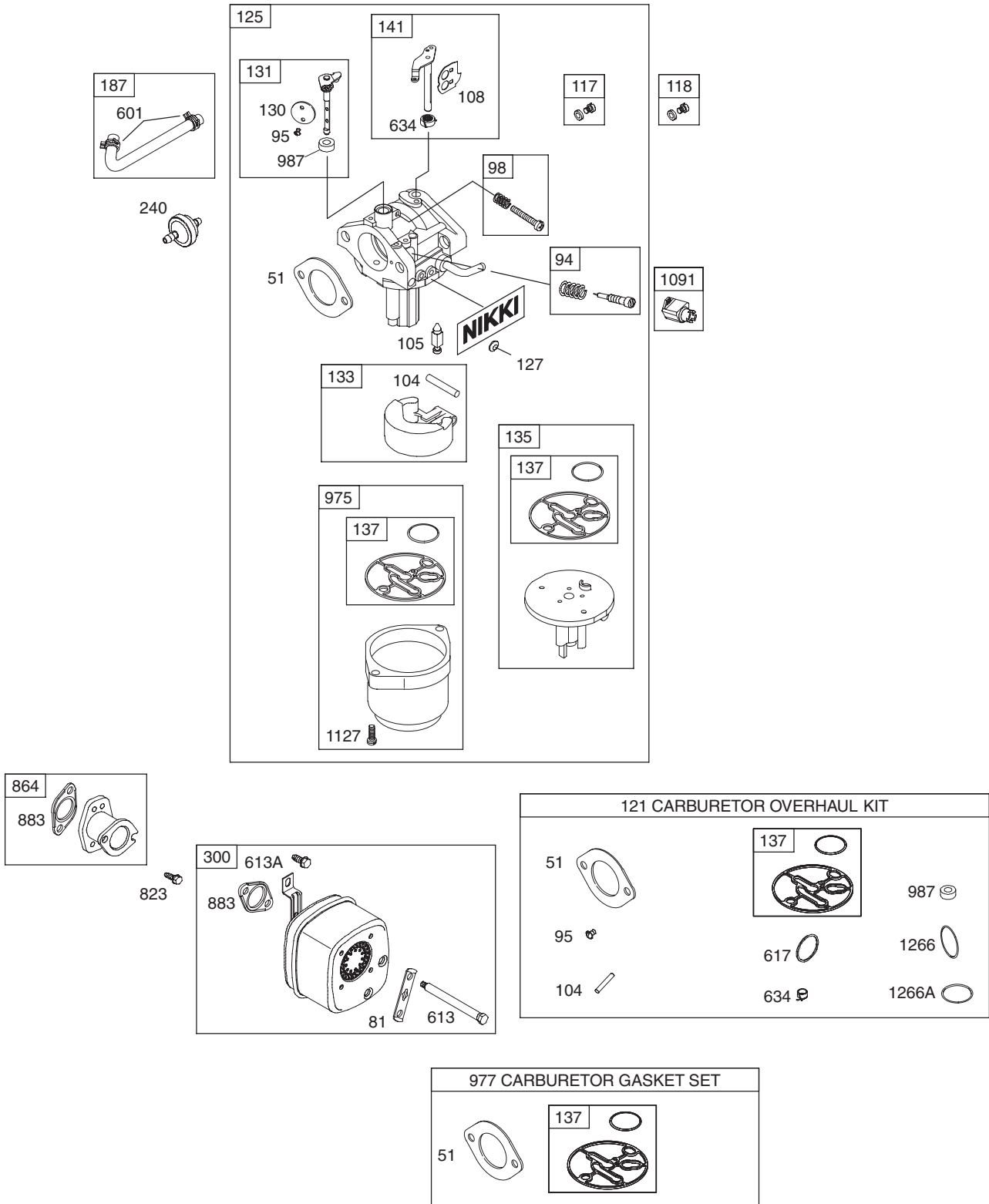


1036 EMISSIONS LABEL



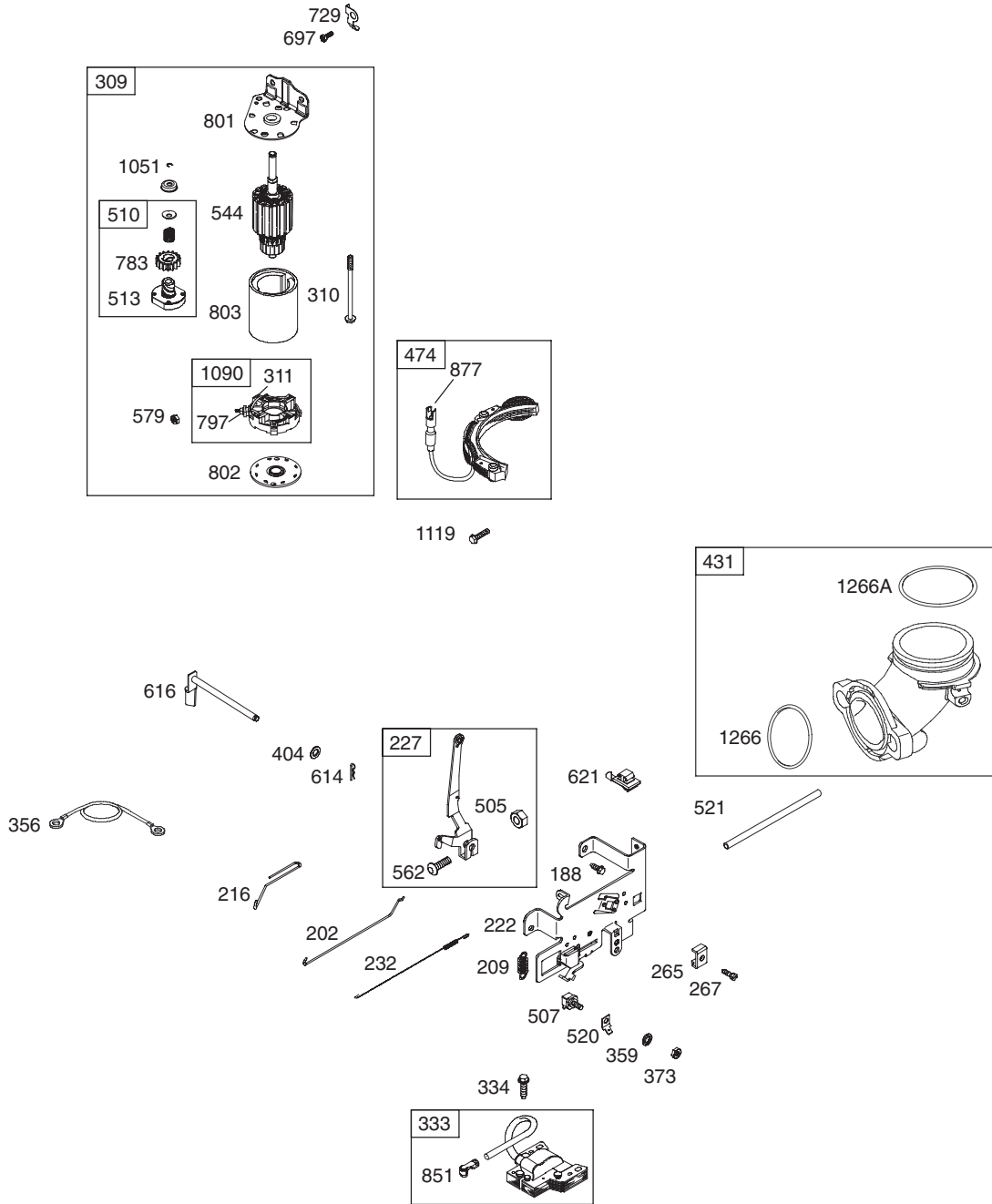
- 1058 OPERATOR'S MANUAL
- 1330 REPAIR MANUAL
- 48 SHORT BLOCK
- 1329 REPLACEMENT ENGINE

# Briggs & Stratton 10.5 H.P. Engine 215707-0507-E1





# Briggs & Stratton 10.5 H.P. Engine 215707-0507-E1



## Briggs & Stratton 10.5 H.P. Engine 215707-0507-E1

Ref. No.	Part No.	Description
1	BS-699045	Cylinder Assembly
2	BS-399265	Kit-Bushing/Seal (Magneto Side)
3	BS-391086s	• Seal-Oil (Magneto Side)
4	BS-697106	Sump-Engine
5	BS-792964	Head-Cylinder
7	BS-273280s	•+ Gasket-Cylinder Head
9	BS-697109	• Gasket-Breather
10	BS-697157	Screw (Breather Assembly)
11	BS-697113	Tube-Breather
12	BS-697110	• Gasket-Crankcase
13	BS-690360	Screw (Cylinder Head)
15	BS-691680	Plug-Oil Drain
16	BS-698382	Crankshaft
20	BS-791892	• Seal-Oil (PTO Side)
22	BS-692125	Screw (Crankcase Cover)
23	BS-693557	Flywheel
24	BS-222698s	Key-Flywheel
25	BS-698767	Piston Assembly (Standard)
	BS-698769	Piston Assembly (.020" Oversize)
26	BS-698375	Ring Set (Standard)
	BS-698377	Ring Set (.020" Oversize)
27	BS-698469	Lock-Piston Pin
28	BS-697099	Pin-Piston (Standard)
29	BS-791633	Rod-Connecting (Standard)
32	BS-791118	Screw (Connecting Rod)
33	BS-791934	Valve-Exhaust
34	BS-791935	Valve-Intake
35	BS-691279	Spring-Valve (Intake)
36	BS-691279	Spring-Valve (Exhaust)
37	BS-697352	Guard-Flywheel
37A	BS-697626	Guard-Flywheel
42	BS-499586	Keeper-Valve
43	BS-691968	Slinger-Governor/Oil
45	BS-690564	Tappet-Valve
46	BS-793583	Camshaft
48	BS-697740	Short Block
50	BS-697361	Manifold-Intake
51	BS-692137	• Ø‡+ Gasket-Intake
53	BS-690227	Stud (Carburetor)
54	BS-691148	Screw (Intake Manifold)
73	BS-697133	Screen-Rotating
74	BS-697897	Screw (Rotating Screen)
78	BS-691003	Screw (Flywheel Guard)
78A	BS-690364	Screw (Flywheel Guard)
81	BS-691178	Lock-Muffler Screw
94	BS-695425	Kit-Idle Mixture
95	BS-690718	Ø Screw (Throttle Valve)
98	BS-695408	Kit-Idle Speed
104	BS-694918	Ø Pin-Float Hinge
105	BS-696136	Valve-Float Needle
108	BS-698773	Valve-Choke
117	BS-699897	Jet-Main (Standard)
118	BS-699898	Jet-Main (High Altitude)
121	BS-698787	Kit-Carburetor Overhaul
125	BS-791178	Carburetor
127	BS-690727	Plug-Welch
130	BS-698774	Valve-Throttle
131	BS-698776	Kit-Throttle Shaft
133	BS-694914	Float-Carburetor

Ref. No.	Part No.	Description
135	BS-698780	Tube-Fuel Transfer
137	BS-698781	Ø‡ Gasket-Float Bowl
141	BS-698778	Kit-Choke Shaft
146	BS-691639	Key-Timing
187	BS-791805	Line-Fuel (Cut to Required Length)
188	BS-691693	Screw (Control Bracket)
192	BS-691986	Adjuster-Rocker Arm
202	BS-691841	Link-Mechanical Governor
209	BS-792602	Spring-Governor
216	BS-691840	Link-Choke
222	BS-694042	Bracket-Control
227	BS-691374	Control Lever-Governor
232	BS-691842	Spring-Governor Link
238	BS-691843	Cap-Valve
240	BS-394358s	Filter-Fuel
265	BS-691024	Clamp-Casing
267	BS-690804	Screw (Casing Clamp)
300	BS-697048	Muffler
304	BS-698473	Housing-Blower
305	BS-697102	Screw (Blower Housing)
305A	BS-793376	Screw (Blower Housing)
306	BS-697359	Shield-Cylinder
307	BS-691003	Screw (Cylinder Shield)
309	BS-693551	Motor-Starter
310	BS-690323	Screw (Starter Motor)
311	BS-497608	Brush Set
333	BS-492341	Armature-Magneto
334	BS-691061	Screw (Armature Magneto)
337	BS-491055s	Spark Plug
356	BS-398808	Wire-Stop
358	BS-697151	Gasket Set-Engine
359	BS-691077	Nut (Ground Terminal)
363	BS-19203	Flywheel Puller
373	BS-691612	Nut (Ground Terminal)
383	BS-89838s	Wrench-Spark Plug
404	BS-691691	Washer (Governor Crank)
431	BS-697122	Elbow-Intake
445	BS-698413	Filter-Air Cleaner Cartridge
474	BS-696578	Alternator
505	BS-691251	Nut (Governor Control Lever)
507	BS-691972	Insulator
510	BS-693699	Drive-Starter
513	BS-692024	Clutch-Drive
520	BS-691084	Terminal-Ground
521	BS-690581	Shield-Cable
523	BS-699908	Dipstick
524	BS-691032	• Seal-Dipstick Tube
525	BS-697184	Tube-Dipstick
544		Starter-Armature (For Service order 693551 Starter Motor)
552	BS-697144	Bushing-Governor Lever
562	BS-691119	Bolt (Governor Control Lever)
579	BS-691029	Nut (Starter Cable)
584	BS-697112	Cover-Breather Passage
601	BS-791850	Clamp-Hose
613	BS-691416	Screw (Muffler)
613A	BS-691678	Screw (Muffler)
614	BS-691620	Pin-Cotter
616	BS-692012	Crank-Governor

## Briggs & Stratton 10.5 H.P. Engine 215707-0507-E1

Ref. No.	Part No.		Description
617	BS-692138	• Ø	O Ring Seal (Intake Manifold)
621	BS-692310		Switch-Stop
634	BS-698779	Ø	Spring/Seal Assembly
635	BS-691909		Boot-Spark Plug
643	BS-697155		Retainer-Air Filter
654	BS-690958		Nut (Carburetor)
691	BS-692407	•	Seal-Governor Shaft
697	BS-690372		Screw (Starter Motor)
718	BS-690959		Pin-Locating
729	BS-691224		Clip-Wire
741	BS-697128		Gear-Timing
783	BS-693713		Gear-Pinion
797	BS-693167		Nut (Brush Retainer)
801	BS-691283		Cap-Drive
802	BS-691286		Cap-End
803			Housing-Starter (For Service order 693551 Starter Motor)
823	BS-698941		Screw (Muffler Adapter)
830	BS-691095		Stud (Rocker Arm)
842	BS-691031	•	Seal-O Ring (Dipstick Tube)
847	BS-790442		Dipstick/Tube Assembly
851	BS-692424		Terminal-Spark Plug
864	BS-697346		Adapter-Muffler
868	BS-690968	•+	Seal-Valve
883	BS-692236	•	Gasket-Exhaust
914	BS-691108		Screw (Rocker Cover)
968	BS-697420		Cover-Air Cleaner
975	BS-698783		Bowl-Float
977	BS-790032		Set-Carburetor Gasket

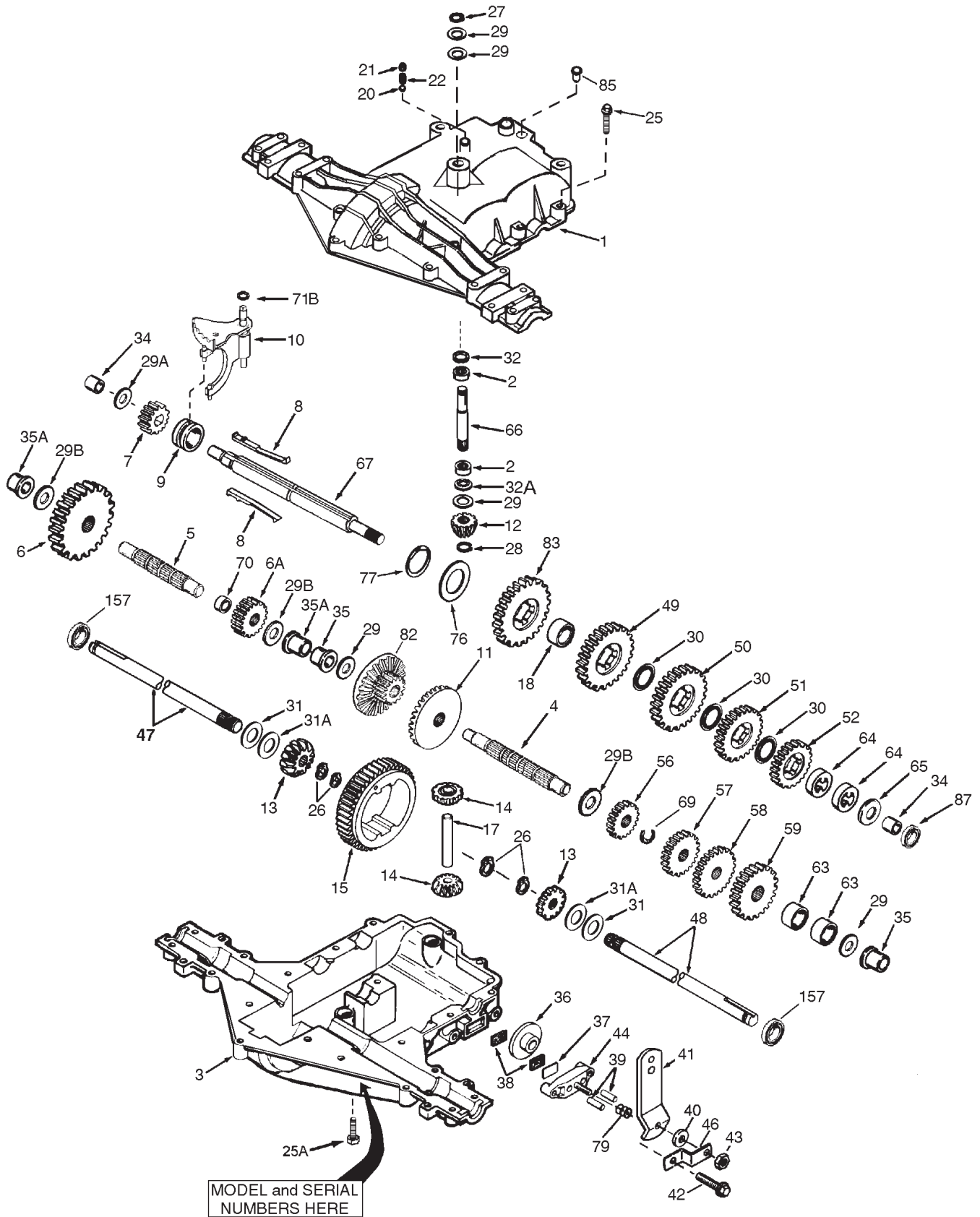
Ref. No.	Part No.		Description
987	BS-698777	Ø •	Seal-Throttle Shaft
1005	BS-699044		Fan-Flywheel
1022	BS-272475s	•+	Gasket-Rocker Cover
1023	BS-791079		Cover-Rocker
1026	BS-697394		Rod-Push (Intake)
	BS-697395		Rod-Push (Exhaust)
1029	BS-691751		Arm-Rocker
1034	BS-690822		Guide-Push Rod
1036			Label-Emissions (Available from an Authorized Briggs & Stratton Service Dealer)
1040	BS-697381		Plate-Trim
1044	BS-698139		Screw (Flywheel)
1051	BS-691265		Ring-Retaining
1058	BS-MS3787		Operator's Manual
1070	BS-690372		Screw (Flywheel Fan)
1090	BS-691293		Retainer-Brush
1091	BS-691333		Cap-Limiter
1095	BS-691581		Gasket Set-Valve
1119	BS-691183		Screw (Alternator)
1127	BS-695407		Screw (Float Bowl)
1263	BS-697124		Reed-Breather
1264	BS-697104		Screw (Breather Reed)
1266	BS-691917	•Ø	O Ring Seal (Intake Elbow)
1266A	BS-697123	•Ø	O Ring Seal (Intake Elbow) 1267 697419
1329	BS-215707-0026		Replacement Engine (Transfer Flywheel Assembly to the Replacement Engine. Transfer the Governor Spring to the Replacement Engine.)
1330	BS-272147		Repair Manual

• Included in Engine Gasket Set, Key. No. 358

Ø Included in Carburetor Overhaul Kit, Key. No. 121

‡ Included in Carburetor Gasket Set, Key. No. 977

+ Included in Valve Gasket Set, Key. No. 1095



## Transmission EP-17488

Ref. No.	Part No.	Description	Qty.
1	TC-772147	Transaxle Cover	1
2	TC-780086A	Needle Bearing (1/2" long)	2
3	TC-770128A	Transaxle Case	1
4	TC-776395	Countershaft	1
5	TC-776409	Output Shaft	1
6	TC-778364	Spur Gear (38T-PM/SER)	1
6A	TC-778369	Spur Gear (15T-PM/SER)	1
7	TC-778330	Spur Gear (11T-PM/SER)	1
8	TC-792180A	Shift Key Set (Qty. 2)	2
9	TC-784352	Shift Collar	1
10	TC-784378	Shift Rod & Fork Assembly	1
11	TC-778334	Bevel Gear (30T-PM)	1
12	TC-778309	Input Bevel Pinion (13T-PM)	1
13	TC-778368	Bevel Gear 13T (Incl. ref. 13 & 14) Complete Set of 4-gears	1
14	TC-778368	Bevel Gear 13T (Incl. ref. 13 & 14) Complete Set of 4-gears	1
15	TC-778370	Ring Gear (43T)	1
17	TC-786188	Drive Pin	1
18	TC-786102	Spacer (1.130" x .695")	1
20	TC-792077A	Ball (Stainless Steel 5/16" dia.)	1
21	TC-792211	Screw, 3/8-16 x 3/8"	1
22	TC-792079	Spring	1
25	TC-792073A	Screw, 1/4-20 x 1-1/4"	17
25A	TC-792177	Screw, 1/4-20 x 1-3/8"	2
26	TC-792125	Retaining Ring-package of 2	4
27	TC-792035	Retaining Ring	1
28	TC-788040	Retaining Ring	1
29	TC-780072	Washer .627" ID .031"	5
29A	TC-780160	Thrust Washer (.563" ID x .031")	1
29B	TC-780051	Thrust Washer (.762" ID X .031")	3
30	TC-780108	Shift Washer (Cupped)	3
31	TC-780001	Washer .750" ID .56"	2
31A	TC-780195	Washer .750" ID .062	2
32	TC-788083	Oil Seal 5/8"	1
32A	TC-792001	O Ring (.823" OD)	1
34	TC-780194	Bushing (.563")	2
35	TC-780193	Flanged Bushing (.625" ID)	2
35A	TC-780197	Flanged Bushing (.751" ID)	2
36	TC-790075	Brake Disk	1
37	TC-790007	Brake Pad Plate	1
38	TC-799021A	Brake Pad (pkg. of 2)	2
39	TC-786026	Dowel Pin .3125" x .750"	2

Ref. No.	Part No.	Description	Qty.
40	TC-792076A	Washer .312" ID .059"	1
41	TC-790104	Brake Lever	1
42	TC-792177	Screw 1/4-20 x 1-3/8"	1
43	TC-792075	Lock Nut 5/16-24	1
44	TC-790025	Brake Pad Holder	1
46	TC-786086	Bracket	1
47	TC-775146	Axle (10.719" long) (Incl. 26)	1
48	TC-775147	Axle (15.312" long) (Incl. 26)	1
49	TC-778338	Spur Gear (27T-PM/IC)	1
50	TC-778342	Spur Gear (22T-PM/IC)	1
51	TC-778313	Spur Gear (19T-PM/IC)	1
52	TC-778350	Spur Gear (16T-PM/IC)	1
56	TC-778337	Spur Gear (13T-PM/SER)	1
57	TC-778341	Spur Gear (18T-PM/SER)	1
58	TC-778351	Spur Gear (21T-PM/SER)	1
59	TC-778349	Spur Gear (24T-PM/SER)	1
63	TC-786071	Countershaft Spacer 1-1/8" x 3/8"	2
64	TC-786072	Brake Shaft Spacer 1-3/8" x 3/8"	2
65	TC-780189	Washer .563" ID .062	1
66	TC-776472	Input Shaft	1
67	TC-776396	Brake Shaft	1
69	TC-792170	Retaining Ring (.75" x .042")	1
70	TC-786187	Spacer (.890")	1
71B	TC-788092	O-Ring	1
76	TC-780090	Flat Washer (1.128" ID x .058")	1
77	TC-788078A	Retaining Ring (1.125" x .050")	1
79	TC-792144	Spring	1
82	TC-778333	Bevel (30T) & Spur Gear	1
83	TC-778338	Spur Gear (27T-PM/IC)	1
85	TC-792154	Oil Fill Plug	1
87	TC-788089A	Oil Seal 9/16" ID	1
157	TC-788088A	Oil Seal 3/4" ID	2

---

# NOTES

*Use this page to make notes and write down important information.*

---

# NOTES

*Use this page to make notes and write down important information.*

**CUB CADET LLC, P.O. BOX 361131 CLEVELAND, OHIO 44136-0019**



## Free Manuals Download Website

<http://myh66.com>

<http://usermanuals.us>

<http://www.somanuals.com>

<http://www.4manuals.cc>

<http://www.manual-lib.com>

<http://www.404manual.com>

<http://www.luxmanual.com>

<http://aubethermostatmanual.com>

Golf course search by state

<http://golfingnear.com>

Email search by domain

<http://emailbydomain.com>

Auto manuals search

<http://auto.somanuals.com>

TV manuals search

<http://tv.somanuals.com>