

HEIGHT ATTACHMENT FOR DELTA 14" BAND SAWS (Model 28-984)

UNPACKING

The Model 28-294 Height Attachment is shipped in one container. Carefully unpack and inspect all the items in the container (Figure 1).

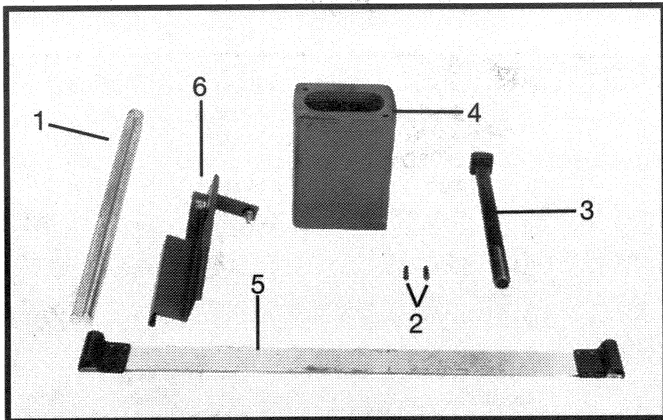


Fig. 1

Ref. No.	Part NO.	Description
1	426-02-055-0002	Post
2	905-04-071-4460	1/4" x 3.4" Roll Pin
3	901-11-013-1202	3/4-10 x 9" Sq Hd Screw
4	426-02-010-0001	Riser Block
5	426-02-354-0027	Guard
6	426-02-354-0001	Guard Assy, Incl.
	904-02-020-1702	1/4" Lockwasher
	902-01-120-1034	1/4-20 Hex Nut
	901-11-023-1497	1/4-20 x 5/8" Carriage Bolt
	901-01-060-0623	1/4-20 x 1" Hex Hd. Screw
	904-01-010-1614	1/4" Flat Washer
	904-01-010-1402	1/4-20 Wing Nut
	904-01-031-7712	Special Washer
*	426-02-014-0016	1/2" x 1-1/2" Bracket
*	901-01-063-1677	1/4-20 x 2-1/2" Full Thread Screw
*	902-01-133-1529	Flanged Hex Nuts
* Not Shown		

ASSEMBLY

IMPORTANT: If you install the 28-994 Height Attachment on the units with enclosed stands, remove the cable tie that holds the switch-to-motor cord to the vertical mounting post inside the stand. This action will free the additional cord necessary to mount the "ON-OFF" switch properly.

IMPORTANT: If you install the 28-994 Height Attachment on earlier models of Delta 14" band saws, you may have to adapt the blade guard assembly to fit your machine. Instructions and mounting hardware are supplied with this attachment.

⚠ WARNING DISCONNECT MACHINE FROM POWER SOURCE and remove the saw blade.

1. Remove the guard mounting hardware (A) and guard (B) Fig. 2. **NOTE:** Use the mounting hardware (A) to attach the new longer guard to the machine, after the riser is installed. (Hardware may differ depending on the band saw).
2. Hold the upper arm assembly (C) Fig. 3, and remove the screw, nut, flat washer, and lockwasher(D). Carefully lift off the upper arm assembly (C) from the base (E). **NOTE:** Flat washer, lockwasher, and nut will be used to fasten the height attachment.

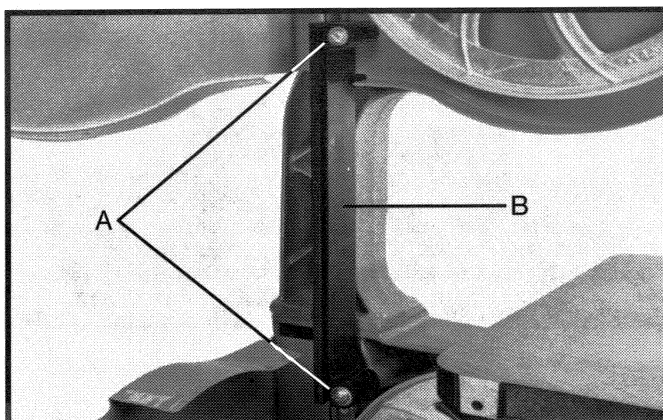


Fig. 2

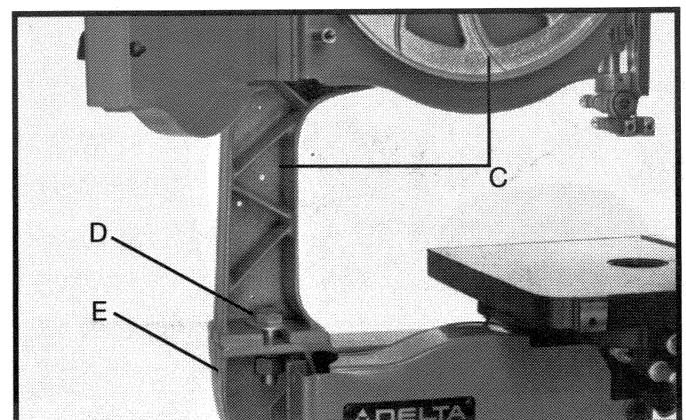


Fig. 3

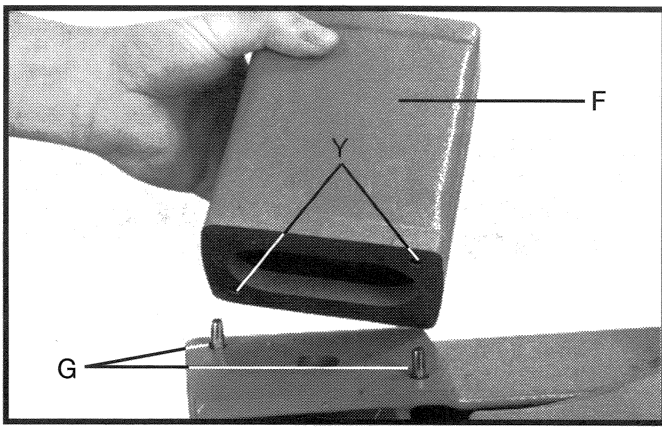


Fig. 4

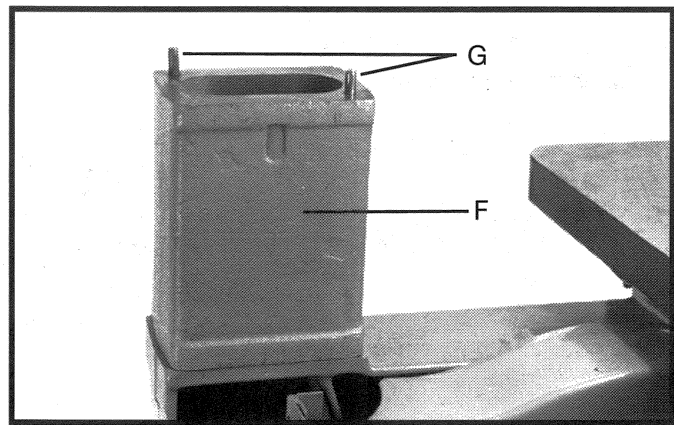


Fig. 5

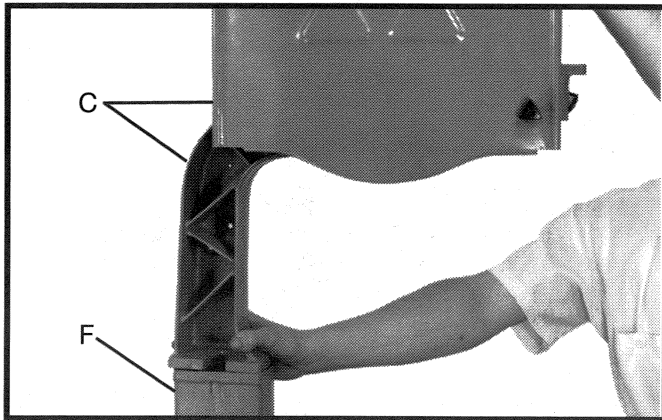


Fig. 6

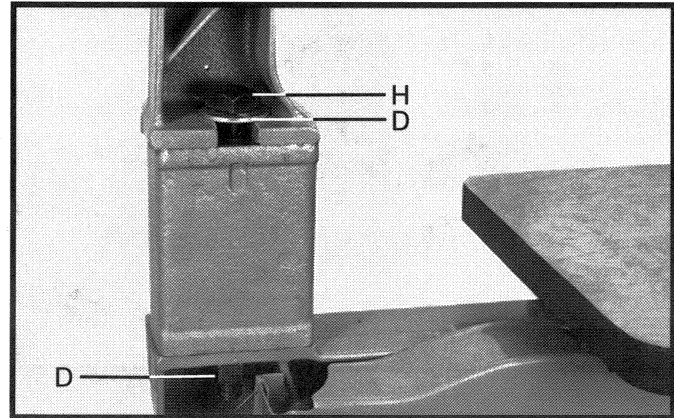


Fig. 7

3. Place the riser block (F) Fig. 4 on the lower arm assembly. Check to see that the two dowel pins (G) are inserted into the two holes (Y) in the riser block.
4. Insert the two roll pins (G), supplied with the height attachment, in the two holes on the top of the riser block (F) Fig. 5.
5. Carefully place the upper arm assembly (C) on the top of the riser block (F) Fig. 6. Check to see that the two holes in the bottom of the upper arm assembly are engaged with the two roll pins (G) Fig. 5.
6. Use the 9" square head screw (H) Fig. 7 (supplied) and the flat washer, lockwasher, and nut (D), removed in STEP 2 to fasten the upper and lower arms together.
7. Attach the new guard (J) Fig. 8 to the upper and lower arms using the hardware (K) that was removed in STEP 1.

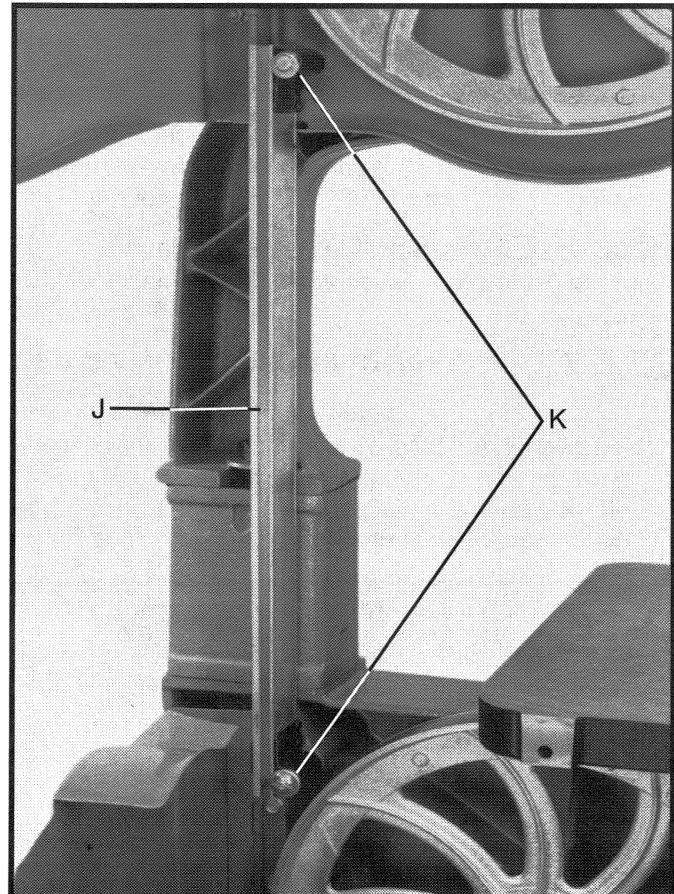


Fig. 8

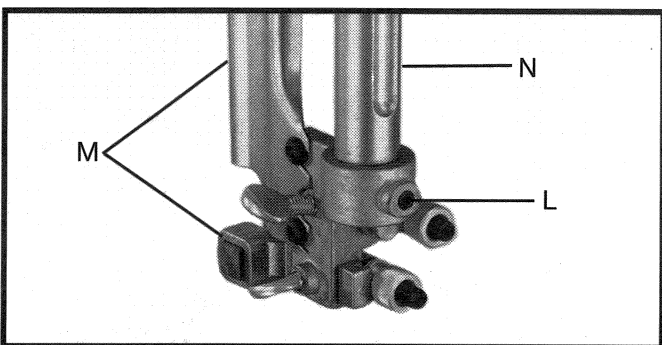


Fig. 9

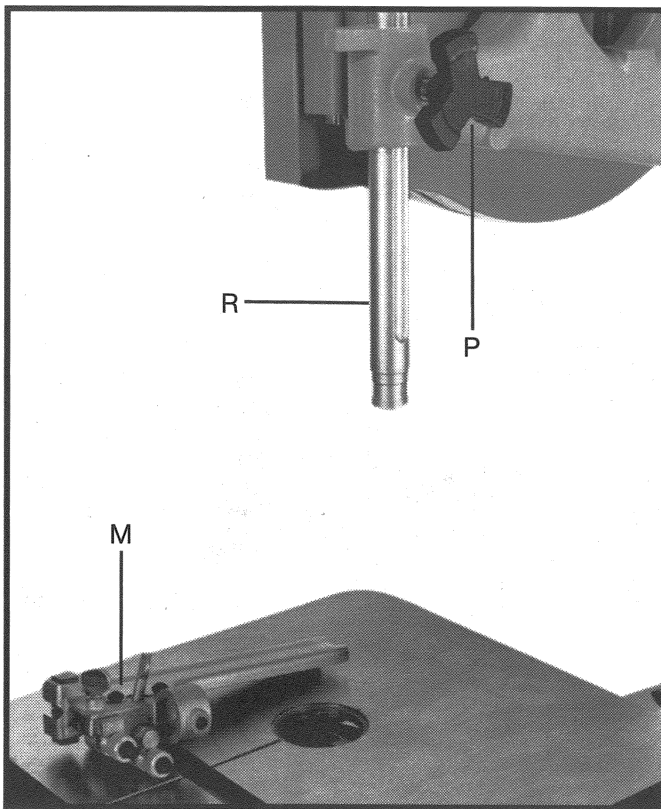


Fig. 10

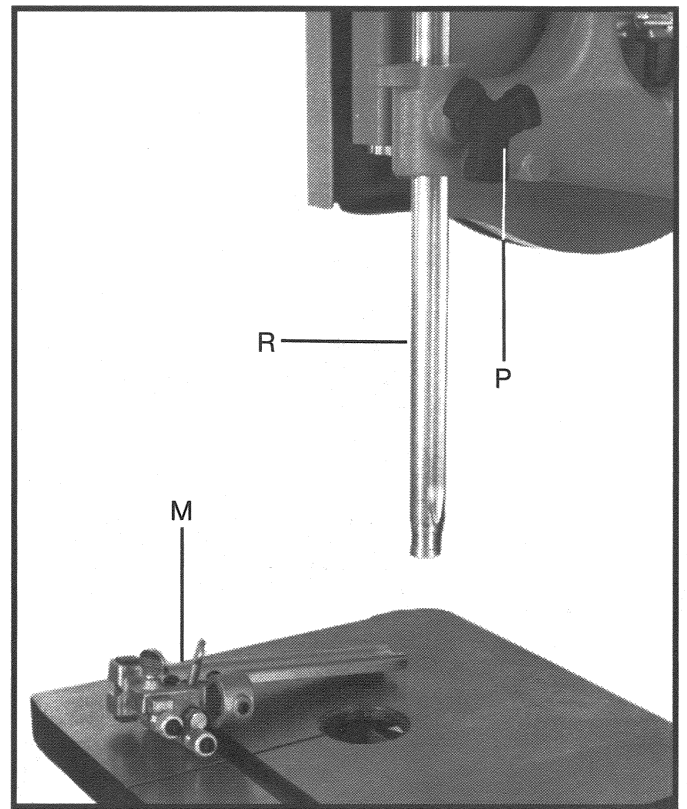


Fig. 11

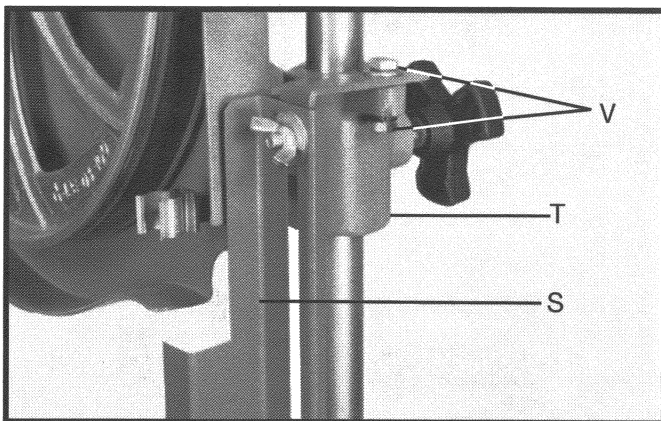


Fig. 12

8. Loosen the set screw (L) Fig. 9 and remove the upper blade guide assembly (M) from the guide post (N).
9. Loosen the clamp knob (P) and remove the guide post (R) Fig. 10.
10. Attach the supplied longer guide post (R) Fig. 11 to the upper arm and tighten the clamp knob (P). Attach the blade guide assembly (M) (removed in STEP 8) to the new guide post (R) Fig. 11.
11. Use the 1" screw, lockwasher, flat washer, and hex nut (V) to fasten the supplied guard assembly (S) to the arm assembly (T) of the machine (Fig. 12).
12. Install the blade. Adjust the tension and tracking. Adjust the blade guides.
13. The guard assembly (S) Fig. 13 covers the blade where the blade guard (W) does not. Loosen the wing nut (X) Fig. 13, adjust the guard assembly (S) up or down, and tighten the wing nut.

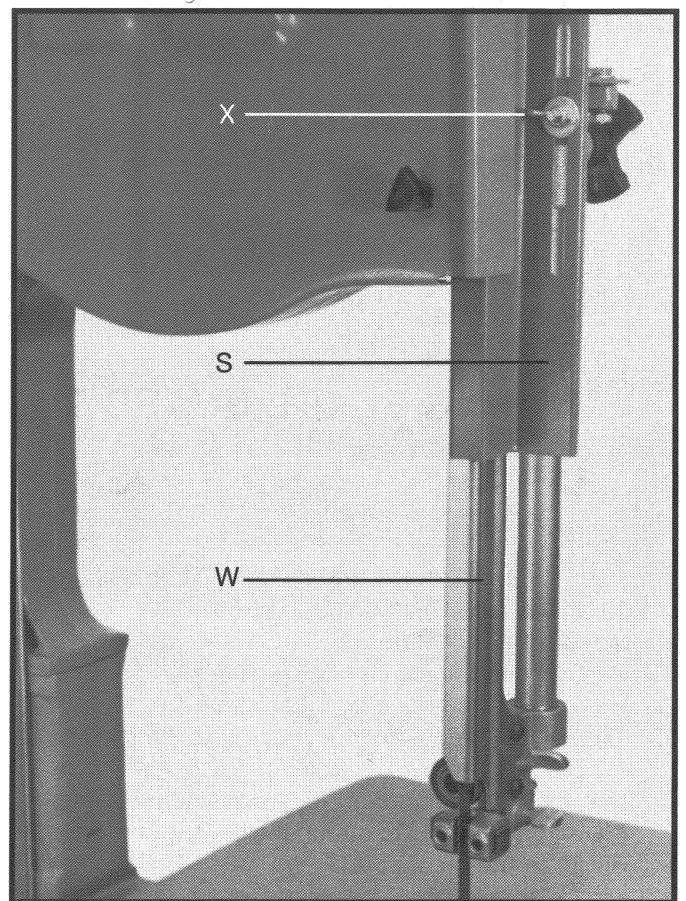


Fig. 13

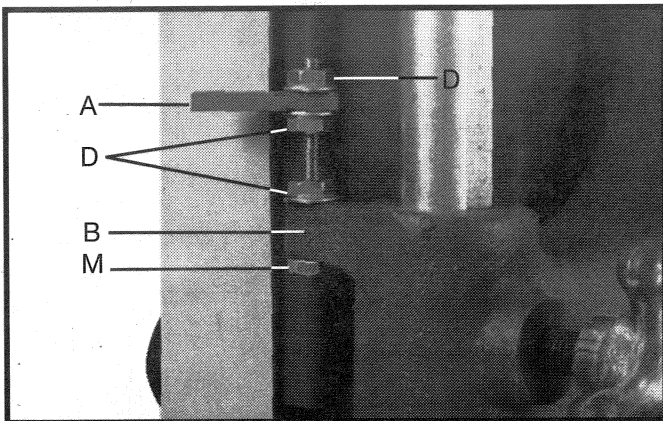


Fig. 14

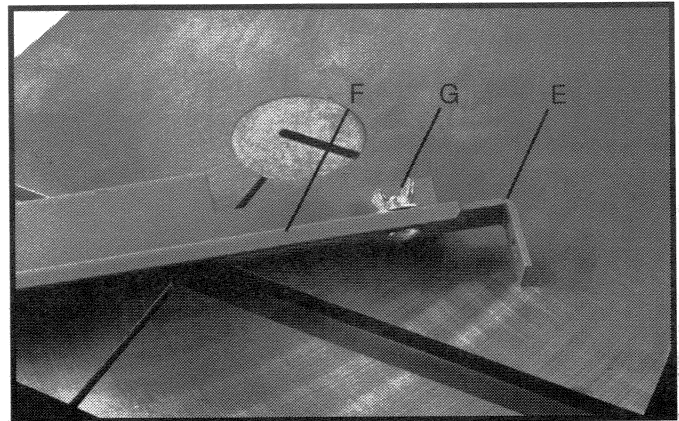


Fig. 15

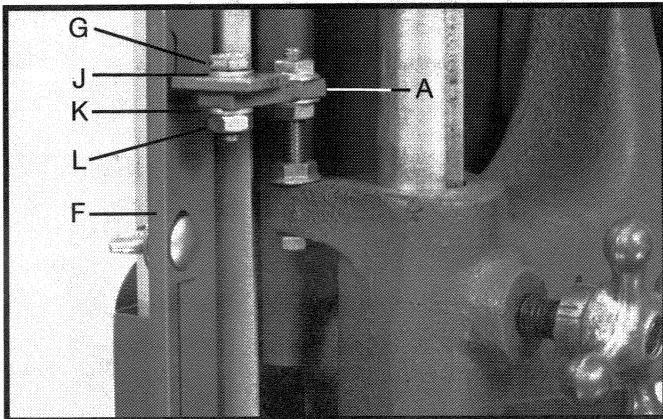


Fig. 16

ATTACHING BLADE GUARD TO EARLIER MODELS OF DELTA 14" BAND SAWS

1. Use the 2-1/2" full thread screw (C) and 3 flanged hex nuts (D) to attach the 1/2" x 1-1/2" bracket (Fig. 14) to the arm assembly. **NOTE:** Install the screw (C) upward through the hole in the arm assembly (B). Height adjustments can be made later.
2. Use the 5/8" carriage bolt, flat washer, and wing nut (G) Fig. 15 to reattach the longer end of angle bracket (E) Fig. 15 to the blade guard.
3. Use the screw (G), Fig. 16, washer (J), lockwasher (K), and hex nut (L) to attach the blade guard assembly (F) to the bracket (A).
4. Check to see that the blade guard assembly (F) Fig. 17 fits on the outside of the top cover (H).

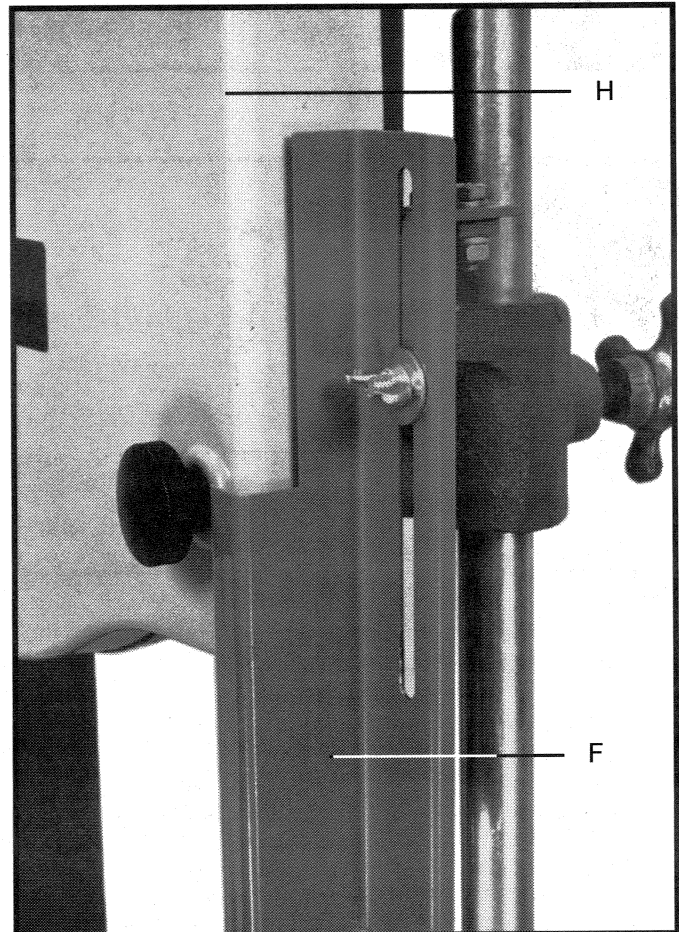


Fig. 17

Free Manuals Download Website

<http://myh66.com>

<http://usermanuals.us>

<http://www.somanuals.com>

<http://www.4manuals.cc>

<http://www.manual-lib.com>

<http://www.404manual.com>

<http://www.luxmanual.com>

<http://aubethermostatmanual.com>

Golf course search by state

<http://golfingnear.com>

Email search by domain

<http://emailbydomain.com>

Auto manuals search

<http://auto.somanuals.com>

TV manuals search

<http://tv.somanuals.com>