



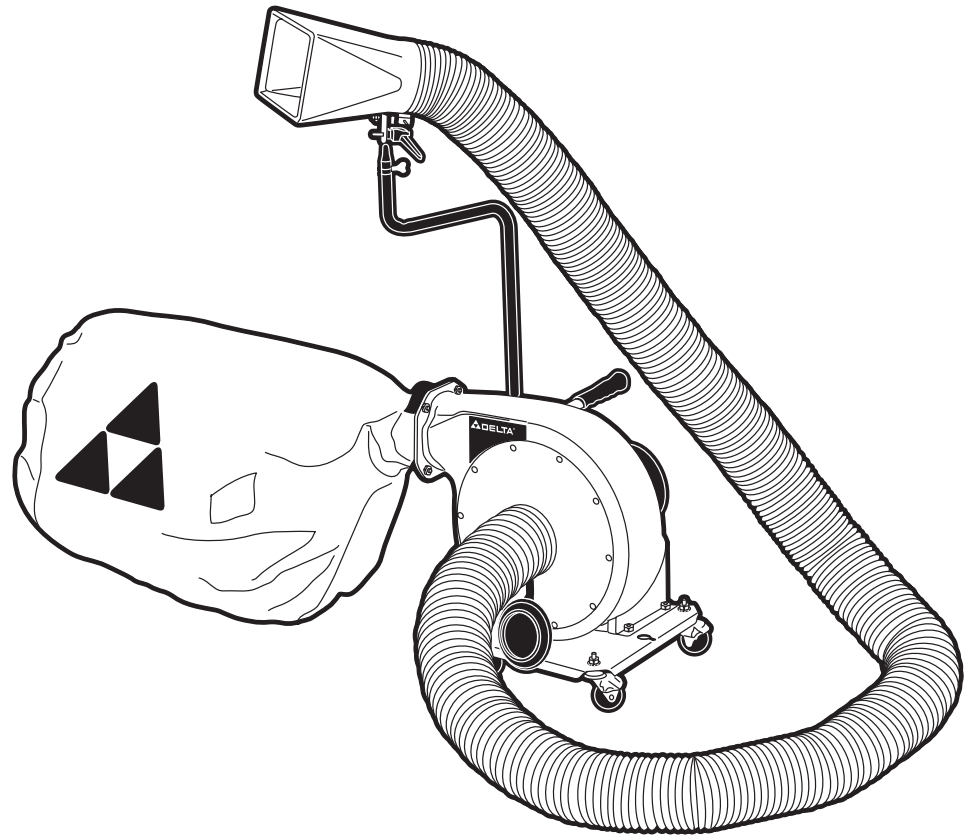
DELTA®

AP-300

**Portable
Single-Stage
Dust Collector**

**Dépoussiéreur
portatif
à étage unique**

**Recolector
de Polvo Portátil
de Etapa Sencilla**



**Instruction Manual
Manuel d'Utilisation
Manual de Instrucciones**

FRANÇAIS (15)

ESPAÑOL (27)

www.deltamachinery.com

(800) 223-7278 - US

(800) 463-3582 - CANADA

A15098_01-13-06_RevA
Copyright © 2006 Delta Machinery

TABLE OF CONTENTS

IMPORTANT SAFETY INSTRUCTIONS.....	2
SAFETY GUIDELINES.....	3
GENERAL SAFETY RULES	4
ADDITIONAL SPECIFIC SAFETY RULES	5
FUNCTIONAL DESCRIPTION	7
CARTON CONTENTS.....	7
ASSEMBLY	8
OPERATION	11
TROUBLESHOOTING	13
MAINTENANCE.....	14
SERVICE	14
ACCESSORIES	14
WARRANTY.....	14
FRANÇAIS.....	15
ESPAÑOL.....	27

IMPORTANT SAFETY INSTRUCTIONS

⚠ WARNING Read and understand all warnings and operating instructions before using any tool or equipment. When using tools or equipment, basic safety precautions should always be followed to reduce the risk of personal injury. Improper operation, maintenance or modification of tools or equipment could result in serious injury and property damage. There are certain applications for which tools and equipment are designed. Delta Machinery strongly recommends that this product NOT be modified and/or used for any application other than for which it was designed.

If you have any questions relative to its application DO NOT use the product until you have written Delta Machinery and we have advised you.

Online contact form at www.deltamachinery.com

Postal Mail: Technical Service Manager
Delta Machinery
4825 Highway 45 North
Jackson, TN 38305
(IN CANADA: 125 Mural St. Suite 300, Richmond Hill, ON, L4B 1M4)

Information regarding the safe and proper operation of this tool is available from the following sources:

Power Tool Institute
1300 Sumner Avenue, Cleveland, OH 44115-2851
www.powertoolinstitute.org

National Safety Council
1121 Spring Lake Drive, Itasca, IL 60143-3201

American National Standards Institute, 25 West 43rd Street, 4 floor, New York, NY 10036 www.ansi.org
ANSI 01.1 Safety Requirements for Woodworking Machines, and the U.S. Department of Labor regulations www.osha.gov

SAVE THESE INSTRUCTIONS!

SAFETY GUIDELINES - DEFINITIONS

It is important for you to read and understand this manual. The information it contains relates to protecting YOUR SAFETY and PREVENTING PROBLEMS. The symbols below are used to help you recognize this information.



- ▲ DANGER** Indicates an imminently hazardous situation which, if not avoided, will result in death or serious injury.
- ▲ WARNING** Indicates a potentially hazardous situation which, if not avoided, could result in death or serious injury.
- ▲ CAUTION** Indicates a potentially hazardous situation which, if not avoided, may result in minor or moderate injury.
- CAUTION** Used without the safety alert symbol indicates potentially hazardous situation which, if not avoided, may result in property damage.

CALIFORNIA PROPOSITION 65

▲ WARNING **SOME DUST CREATED BY POWER SANDING, SAWING, GRINDING, DRILLING, AND OTHER CONSTRUCTION ACTIVITIES** contains chemicals known to cause cancer, birth defects or other reproductive harm. Some examples of these chemicals are:

- lead from lead-based paints,
- crystalline silica from bricks and cement and other masonry products, and
- arsenic and chromium from chemically-treated lumber.

Your risk from these exposures varies, depending on how often you do this type of work. To reduce your exposure to these chemicals: work in a well ventilated area, and work with approved safety equipment, always wear **NIOSH/OSHA** approved, properly fitting face mask or respirator when using such tools.

GENERAL SAFETY RULES

⚠ WARNING Failure to follow these rules may result in serious personal injury.

- FOR YOUR OWN SAFETY, READ THE INSTRUCTION MANUAL BEFORE OPERATING THE MACHINE.** Learning the machine's application, limitations, and specific hazards will greatly minimize the possibility of accidents and injury.
- WEAR EYE AND HEARING PROTECTION. ALWAYS USE SAFETY GLASSES.** Everyday eyeglasses are NOT safety glasses. USE CERTIFIED SAFETY EQUIPMENT. Eye protection equipment should comply with ANSI Z87.1 standards. Hearing equipment should comply with ANSI S3.19 standards.
- WEAR PROPER APPAREL.** Do not wear loose clothing, gloves, neckties, rings, bracelets, or other jewelry which may get caught in moving parts. Non-slip protective footwear is recommended. Wear protective hair covering to contain long hair.
- DO NOT USE THE MACHINE IN A DANGEROUS ENVIRONMENT.** The use of power tools in damp or wet locations or in rain can cause shock or electrocution. Keep your work area well-lit to prevent tripping or placing arms, hands, and fingers in danger.
- MAINTAIN ALL TOOLS AND MACHINES IN PEAK CONDITION.** Keep tools sharp and clean for best and safest performance. Follow instructions for lubricating and changing accessories. Poorly maintained tools and machines can further damage the tool or machine and/or cause injury.
- CHECK FOR DAMAGED PARTS.** Before using the machine, check for any damaged parts. Check for alignment of moving parts, binding of moving parts, breakage of parts, and any other conditions that may affect its operation. A guard or any other part that is damaged **should be properly repaired or replaced with Delta or factory authorized replacement parts.** Damaged parts can cause further damage to the machine and/or injury.
- KEEP THE WORK AREA CLEAN.** Cluttered areas and benches invite accidents.
- KEEP CHILDREN AND VISITORS AWAY.** Your shop is a potentially dangerous environment. Children and visitors can be injured.
- REDUCE THE RISK OF UNINTENTIONAL STARTING.** Make sure that the switch is in the "OFF" position before plugging in the power cord. In the event of a power failure, move the switch to the "OFF" position. An accidental start-up can cause injury. Do not touch the plug's metal prongs when unplugging or plugging in the cord.
- USE THE GUARDS.** Check to see that all guards are in place, secured, and working correctly to prevent injury.
- REMOVE ADJUSTING KEYS AND WRENCHES BEFORE STARTING THE MACHINE.** Tools, scrap pieces, and other debris can be thrown at high speed, causing injury.
- USE THE RIGHT MACHINE.** Don't force a machine or an attachment to do a job for which it was not designed. Damage to the machine and/or injury may result.
- USE RECOMMENDED ACCESSORIES.** The use of accessories and attachments not recommended by Delta may cause damage to the machine or injury to the user.
- USE THE PROPER EXTENSION CORD.** Make sure your extension cord is in good condition. When using an extension cord, be sure to use one heavy enough to carry the current your product will draw. An undersized cord will cause a drop in line voltage, resulting in loss of power and overheating. See the Extension Cord Chart for the correct size depending on the cord length and nameplate ampere rating. If in doubt, use the next heavier gauge. The smaller the gauge number, the heavier the cord.
- SECURE THE WORKPIECE.** Use clamps or a vise to hold the workpiece when practical. Loss of control of a workpiece can cause injury.
- FEED THE WORKPIECE AGAINST THE DIRECTION OF THE ROTATION OF THE BLADE, CUTTER, OR ABRASIVE SURFACE.** Feeding it from the other direction will cause the workpiece to be thrown out at high speed.
- DON'T FORCE THE WORKPIECE ON THE MACHINE.** Damage to the machine and/or injury may result.
- DON'T OVERREACH.** Loss of balance can make you fall into a working machine, causing injury.
- NEVER STAND ON THE MACHINE.** Injury could occur if the tool tips, or if you accidentally contact the cutting tool.
- NEVER LEAVE THE MACHINE RUNNING UNATTENDED. TURN THE POWER OFF.** Don't leave the machine until it comes to a complete stop. A child or visitor could be injured.
- TURN THE MACHINE "OFF", AND DISCONNECT THE MACHINE FROM THE POWER SOURCE** before installing or removing accessories, changing cutters, adjusting or changing set-ups. When making repairs, be sure to lock the start switch in the "OFF" position. An accidental start-up can cause injury.
- MAKE YOUR WORKSHOP CHILDPROOF WITH PADLOCKS, MASTER SWITCHES, OR BY REMOVING STARTER KEYS.** The accidental start-up of a machine by a child or visitor could cause injury.
- STAY ALERT, WATCH WHAT YOU ARE DOING, AND USE COMMON SENSE. DO NOT USE THE MACHINE WHEN YOU ARE TIRED OR UNDER THE INFLUENCE OF DRUGS, ALCOHOL, OR MEDICATION.** A moment of inattention while operating power tools may result in injury.
- ⚠ WARNING USE OF THIS TOOL CAN GENERATE AND DISBURSE DUST OR OTHER AIRBORNE PARTICLES, INCLUDING WOOD DUST, CRYSTALLINE SILICA DUST AND ASBESTOS DUST.** Direct particles away from face and body. Always operate tool in well ventilated area and provide for proper dust removal. Use dust collection system wherever possible. Exposure to the dust may cause serious and permanent respiratory or other injury, including silicosis (a serious lung disease), cancer, and death. Avoid breathing the dust, and avoid prolonged contact with dust. Allowing dust to get into your mouth or eyes, or lay on your skin may promote absorption of harmful material. Always use properly fitting NIOSH/OSHA approved respiratory protection appropriate for the dust exposure, and wash exposed areas with soap and water.

ADDITIONAL SPECIFIC SAFETY RULES

FAILURE TO FOLLOW THESE RULES MAY RESULT IN SERIOUS INJURY.

▲ DANGER

DO NOT USE THIS UNIT TO FILTER METAL DUST. Combining wood and metal dust can create an explosion or fire hazard. This unit is intended to filter non-explosive atmospheres only.

▲ WARNING

DO NOT USE THIS UNIT TO DISSIPATE FUMES OR SMOKE. Explosions or fire can result. This dust collector is intended for use where only dry airborne dust is present. Its use should be limited to non-explosive, non-metallic atmospheres.

- DO NOT OPERATE THIS UNIT UNTIL IT IS COMPLETELY ASSEMBLED AND INSTALLED ACCORDING TO THE INSTRUCTIONS.** A unit incorrectly assembled can cause injury.
- OBTAIN ADVICE FROM YOUR SUPERVISOR, INSTRUCTOR, OR ANOTHER QUALIFIED PERSON** if you are not thoroughly familiar with the operation of this unit. Knowledge is safety
- FOLLOW ALL WIRING CODES** and recommended electrical connections to prevent electrical shock or electrocution.
- DO NOT PULL THIS UNIT BY THE POWER CORD.** Do not allow the power cord to come in contact with sharp instruments or edges, hot surfaces, or oil or grease. Do not place any weight on top of the power cord. A damaged power cord can cause electrical shock or electrocution.
- SUPPORT THIS UNIT OR SECURELY CLAMP IT TO THE WORK SURFACE WHEN IT IS USED IN A PORTABLE APPLICATION** to eliminate potential injury and/or damage from falling.
- ENSURE THAT THE INTAKE AND EXHAUST AREAS ARE CLEAR PRIOR TO STARTING THE UNIT.** Clogged intakes or exhausts can cause an explosion and/or fire.
- DO NOT USE THE DUST COLLECTOR** to pick up flammable liquids such as gasoline. Do not use the dust collector near flammable or combustible liquids. Explosion and/or fire can occur.
- KEEP ARMS, HANDS, AND FINGERS AWAY FROM THE FAN.** Avoid all exposure to rotating parts to prevent injury.
- DO NOT OPERATE THIS UNIT WITHOUT THE DUST COLLECTION BAG IN PLACE AND PROPERLY SECURED.** Sawdust and other debris can provide the potential for fire and/or explosion and can also cause inhalation problems.
- INSPECT THE DUST BAG FOR CUTS, RIPS, OR TEARS.** Replace damaged bags or vacuum hoses. Sawdust and other debris can provide the potential for fire and/or explosion and can also cause inhalation problems.
- ALWAYS USE THE INTAKE CAPS TO COVER UNUSED DUST PORTS.** Debris can cause damage to the unit and injury.
- DO NOT ATTEMPT TO REMOVE OR REPLACE** the dust collection bag(s) while the unit is connected to the power source. Exposed fan blades can cause severe injuries.
- MAINTAIN THE UNIT IN TOP CONDITION.** Clogged filters can increase the potential for fire or explosion. Follow all instructions for changing and cleaning filters.
- STORE THIS UNIT IN A LOCATION** that eliminates the potential for damage to the power cord. A damaged power cord can cause shock or electrocution. Safely store power cord on the unit to eliminate tripping hazards.
- TURN THE UNIT "OFF" AND DISCONNECT THE UNIT** from the power source before installing or removing accessories, before adjusting or changing set-ups, or when making repairs. An accidental start-up can cause serious injury.
- TURN THE UNIT "OFF",** disconnect the unit from the power source, and clean the table/work area before leaving the area.

SAVE THESE INSTRUCTIONS.

**Refer to them often
and use them to instruct others.**

POWER CONNECTIONS

A separate electrical circuit should be used for your machines. This circuit should not be less than #12 wire and should be protected with a 20 Amp time lag fuse. If an extension cord is used, use only 3-wire extension cords which have 3-prong grounding type plugs and matching receptacle which will accept the machine's plug. Before connecting the machine to the power line, make sure the switch (s) is in the "OFF" position and be sure that the electric current is of the same characteristics as indicated on the machine. All line connections should make good contact. Running on low voltage will damage the machine.

▲ DANGER

Do not expose the machine to rain or operate the machine in damp locations.

MOTOR SPECIFICATIONS

Your machine is wired for 120, 60 HZ alternating current. Before connecting the machine to the power source, make sure the switch is in the "OFF" position.

GROUNDING INSTRUCTIONS

▲ DANGER

This machine must be grounded while in use to protect the operator from electric shock.

1. All grounded, cord-connected machines:

In the event of a malfunction or breakdown, grounding provides a path of least resistance for electric current to reduce the risk of electric shock. This machine is equipped with an electric cord having an equipment-grounding conductor and a grounding plug. The plug must be plugged into a matching outlet that is properly installed and grounded in accordance with all local codes and ordinances.

Do not modify the plug provided - if it will not fit the outlet, have the proper outlet installed by a qualified electrician.

Improper connection of the equipment-grounding conductor can result in risk of electric shock. The conductor with insulation having an outer surface that is green with or without yellow stripes is the equipment-grounding conductor. If repair or replacement of the electric cord or plug is necessary, do not connect the equipment-grounding conductor to a live terminal.

Check with a qualified electrician or service personnel if the grounding instructions are not completely understood, or if in doubt as to whether the machine is properly grounded.

Use only 3-wire extension cords that have 3-prong grounding type plugs and matching 3-conductor receptacles that accept the machine's plug, as shown in Fig. A.

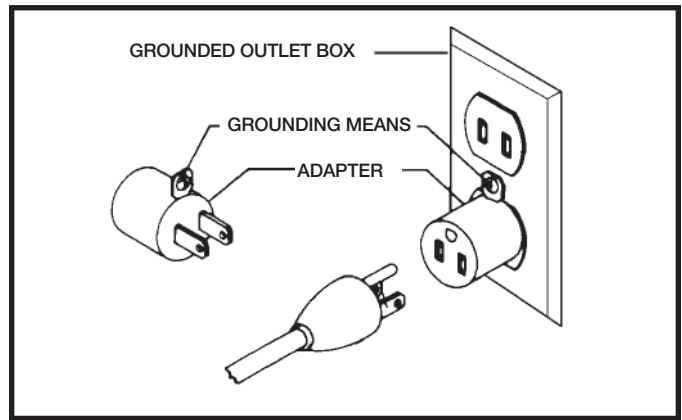
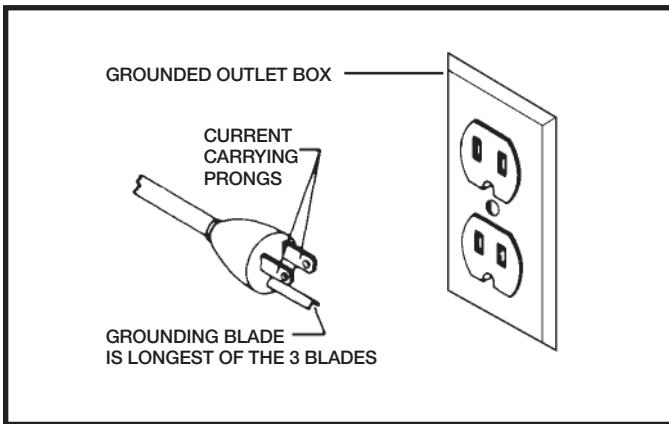
Repair or replace damaged or worn cord immediately.

2. Grounded, cord-connected machines intended for use on a supply circuit having a nominal rating less than 150 volts:

If the machine is intended for use on a circuit that has an outlet that looks like the one illustrated in Fig. A, the machine will have a grounding plug that looks like the plug illustrated in Fig. A. A temporary adapter, which looks like the adapter illustrated in Fig. B, may be used to connect this plug to a matching 2-conductor receptacle as shown in Fig. B if a properly grounded outlet is not available. The temporary adapter should be used only until a properly grounded outlet can be installed by a qualified electrician. The green-colored rigid ear, lug, and the like, extending from the adapter must be connected to a permanent ground such as a properly grounded outlet box. Whenever the adapter is used, it must be held in place with a metal screw.

NOTE: In Canada, the use of a temporary adapter is not permitted by the Canadian Electric Code.

⚠ DANGER In all cases, make certain that the receptacle in question is properly grounded. If you are not sure, have a qualified electrician check the receptacle.



EXTENSION CORDS

⚠ WARNING Use proper extension cords. Make sure your extension cord is in good condition and is a 3-wire extension cord which has a 3-prong grounding type plug and matching receptacle which will accept the machine's plug. When using an extension cord, be sure to use one heavy enough to carry the current of the machine. An undersized cord will cause a drop in line voltage, resulting in loss of power and overheating. Fig. D-1 shows the correct gauge to use depending on the cord length. If in doubt, use the next heavier gauge. The smaller the gauge number, the heavier the cord.

MINIMUM GAUGE EXTENSION CORD			
RECOMMENDED SIZES FOR USE WITH STATIONARY ELECTRIC MACHINES			
Ampere Rating	Volts	Total Length of Cord in Feet	Gauge of Extension Cord
0-6	120	up to 25	18 AWG
		25-50	16 AWG
		50-100	16 AWG
		100-150	14 AWG
6-10	120	up to 25	18 AWG
		25-50	16 AWG
		50-100	14 AWG
		100-150	12 AWG
10-12	120	up to 25	16 AWG
		25-50	16 AWG
		50-100	14 AWG
		100-150	12 AWG
12-16	120	up to 25	14 AWG
		25-50	12 AWG
		GREATER THAN 50 FEET NOT RECOMMENDED	

Fig. D-1

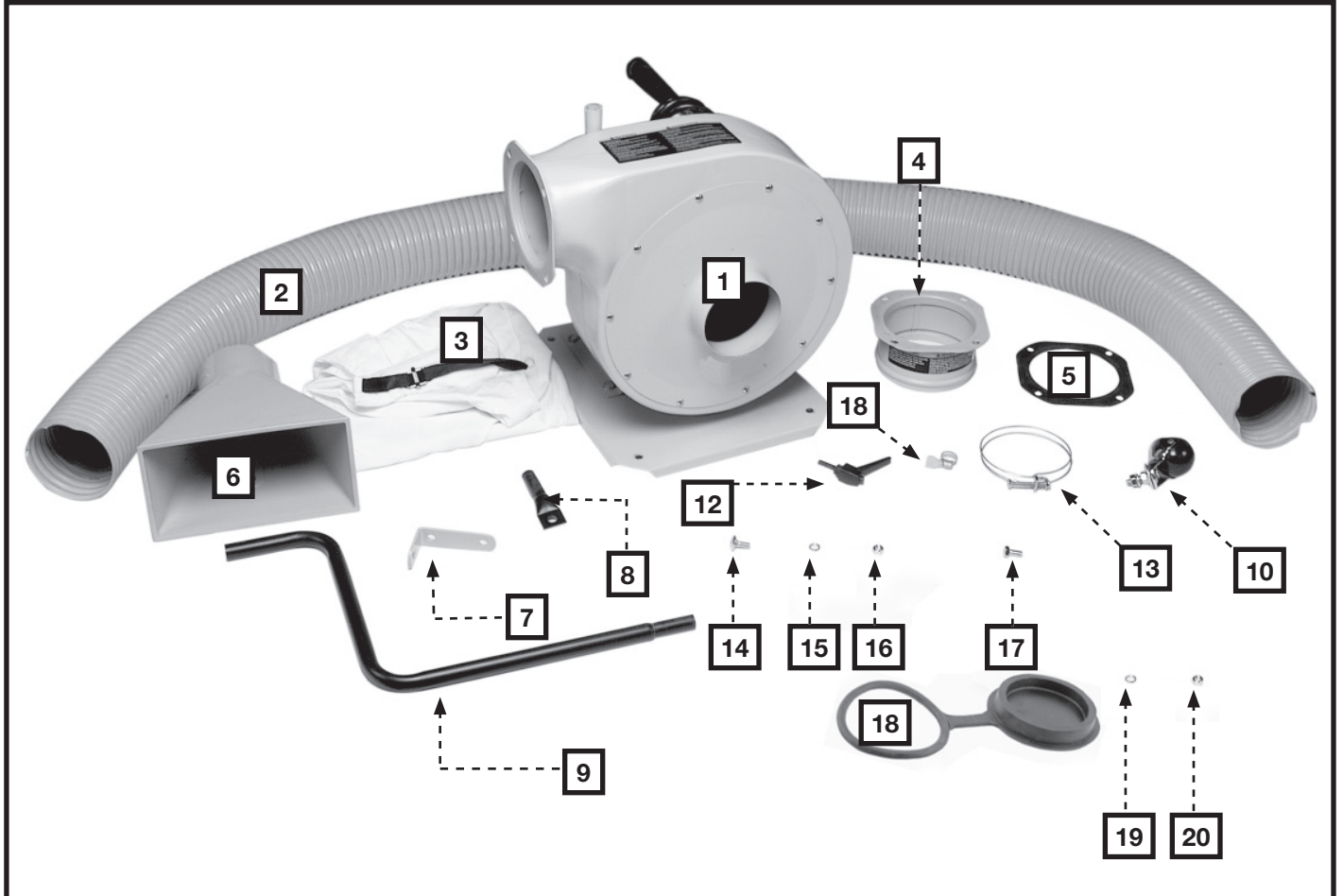
FUNCTIONAL DESCRIPTION

FOREWORD

The Delta Model AP300 is a portable single stage dust collector.

NOTICE: The photo on the manual cover illustrates the current production model. All other illustrations contained in the manual are representative only and may not depict the actual labeling or accessories included. These are intended to illustrate technique only.

CARTON CONTENTS



- | | |
|-------------------------------|--|
| 1. Dust collector | 10. Casters (4) |
| 2. Hose | 11. Lower tube support clamps (2) |
| 3. Dust bag | 12. Adjustable locking lever |
| 4. Exhaust flange | 13. Hose clamps (2) |
| 5. Exhaust flange gasket | 14. 5/16-18x5/8" Button head carriage bolt (2) |
| 6. Intake funnel | 15. 5/16" Lockwasher |
| 7. Intake support angle brace | 16. 5/16-18 Flange hex nut (6) |
| 8. Upper support bracket | 17. 5/16-18x5/8" Hex head screw (4) |
| 9. Lower tube support | 18. Intake cap |
| | 19. M8.4 Flat washer |
| | 20. 3/8-16 Flange Hex nut (4) |

UNPACKING AND CLEANING

Carefully unpack the machine and all loose items from the shipping container(s). Remove the protective coating from all unpainted surfaces. This coating may be removed with a soft cloth moistened with kerosene (do not use acetone, gasoline or lacquer thinner for this purpose). After cleaning, cover the unpainted surfaces with a good quality household floor paste wax.

ASSEMBLY

⚠ WARNING For your own safety, do not connect the machine to the power source until the machine is completely assembled and you read and understand the entire instruction manual.

ASSEMBLY TOOLS REQUIRED

- 1/2" & 9/16" Open or Box End Wrench - not provided
- 1/2" & 9/16" Socket and Drive - not provided
- Flat or Phillips Screwdriver - not provided

ASSEMBLY TIME ESTIMATE

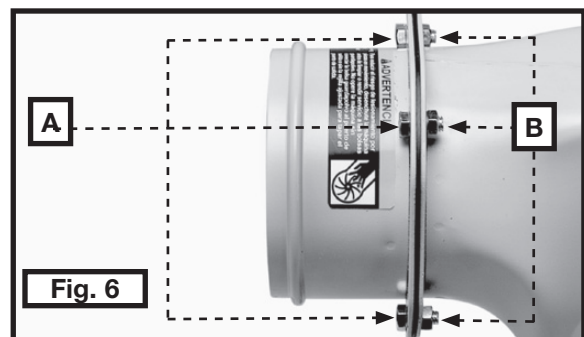
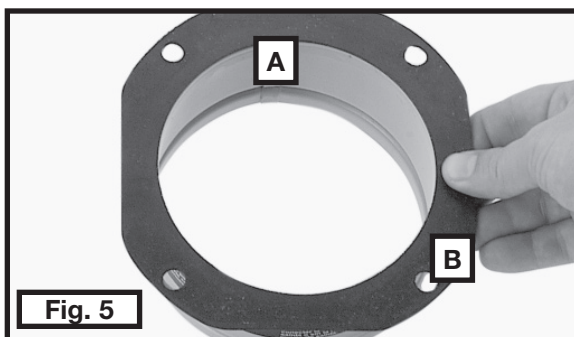
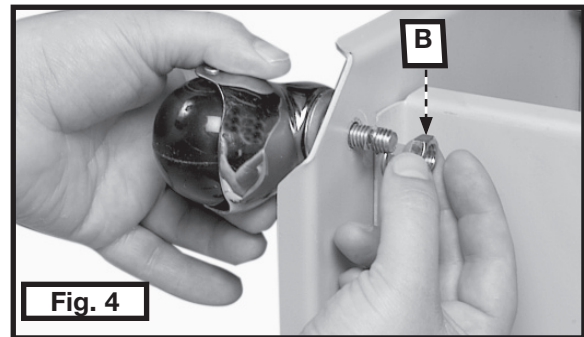
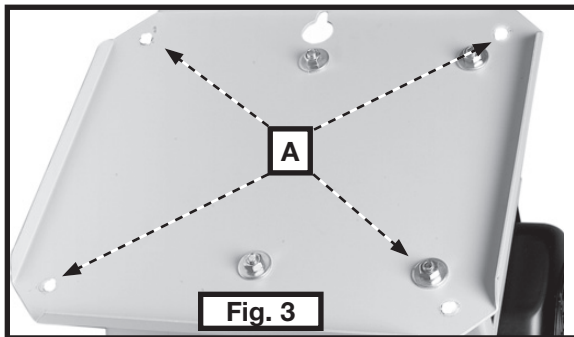
Assembly for this machine takes approximately 1-2 hours.

INSTALLING THE CASTERS

1. Place the dust collector on its side.
2. Insert a caster through the four holes (A) Fig. 3 in the base of the dust collector.
3. Thread a 3/8-16 flange hex nut (B) Fig. 4 onto each of the four bolts and tighten securely.

INSTALLING THE EXHAUST FLANGE

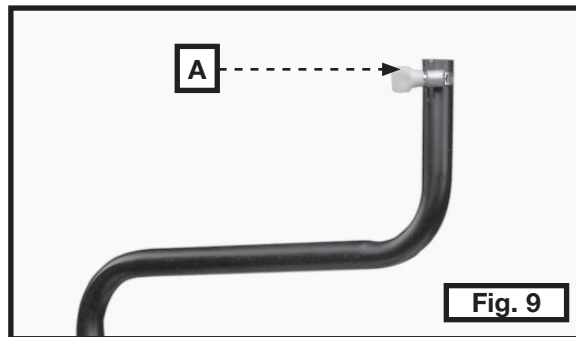
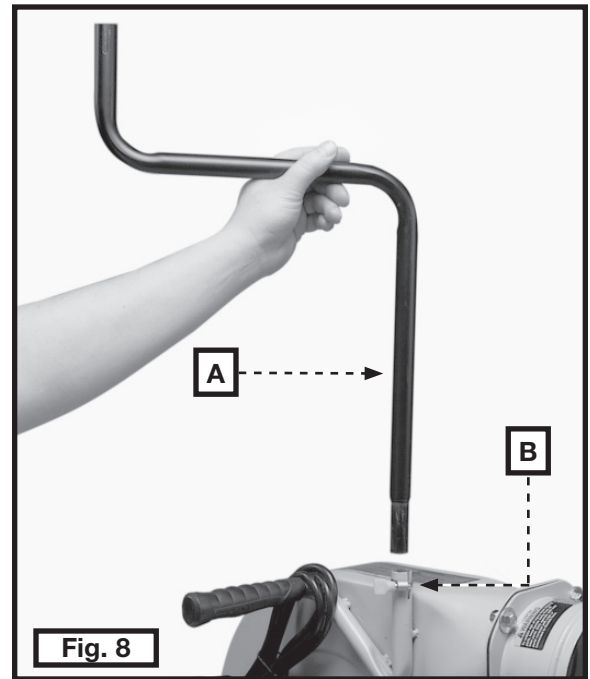
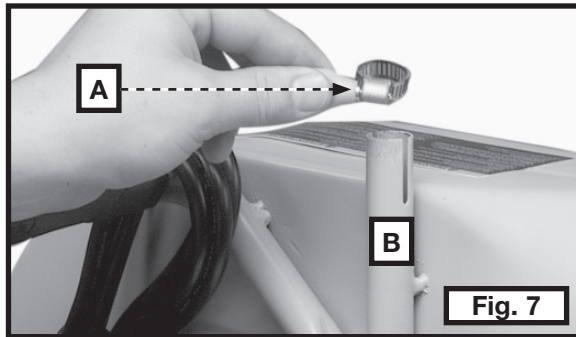
1. Align the holes in the exhaust flange (A) Fig. 5 with the holes in the exhaust flange gasket (B).
2. Insert a 5/16-18x5/8" hex-head bolt through the exhaust flange, the exhaust flange gasket, and the base unit (Fig. 6).
3. Thread a 5/16-18 hex nut (B) onto the 5/16-18x5/8" hex head bolt (A) Fig. 6 and tighten securely.
4. Repeat this process for the three remaining bolts.



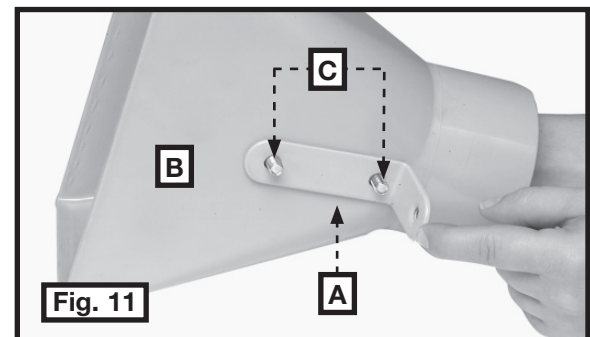
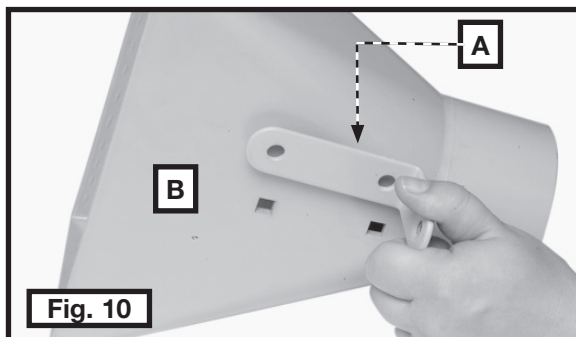
INSTALLING THE DUST PORT TUBE AND THE DUST COLLECTOR CONNECTOR

⚠ WARNING Disconnect the machine from the power source!

1. Place the tube clamp (A) Fig. 7 on the lower support tube holder (B).
2. Insert the lower tube support (A) into the tube support holder (B) (Fig. 8).
3. Place a tube clamp (A) on the lower tube support (Fig. 9).

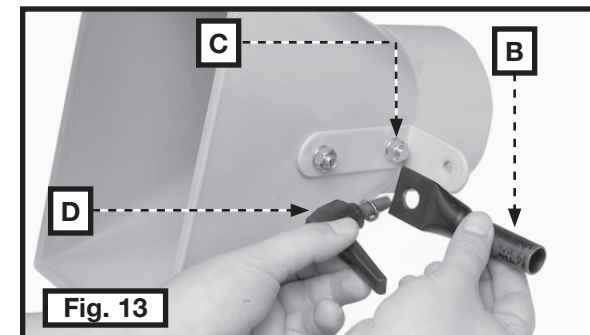
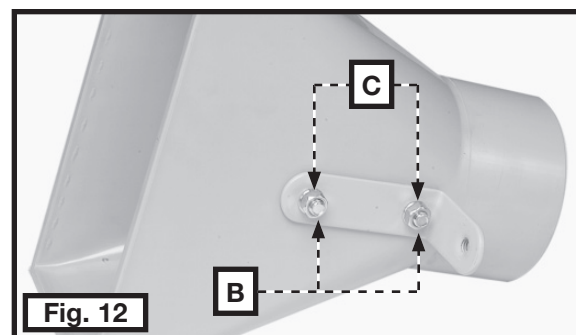


4. Align the two holes in the intake support angle brace (A) Fig. 10 with the two holes in the intake funnel (B).
5. Fasten the intake support angle brace to the intake funnel by inserting the two 5/16-18x5/8" button-head carriage bolts (C) through the intake funnel (B) and the intake support angle brace (A) (Fig. 11).

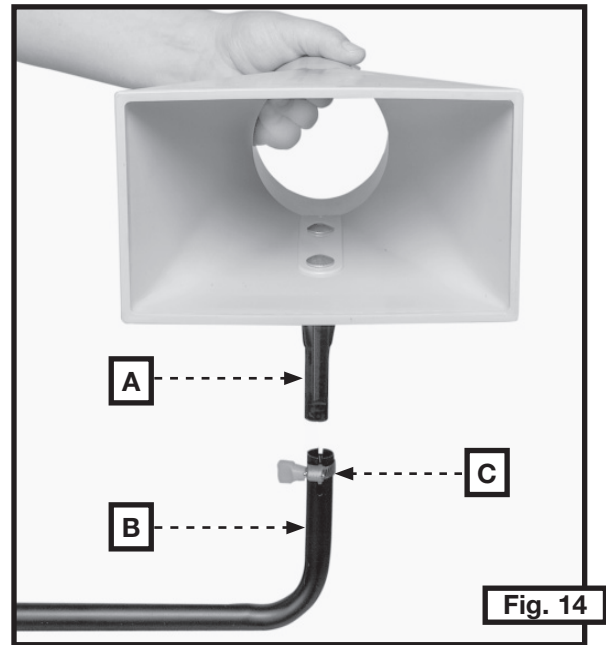


6. Thread a 5/16-18" flange hex nut (C) Fig. 12 on the bolt (B). Tighten securely.
7. Attach the upper support bracket (B) Fig. 13 to the intake support angle brace (C) with the adjustable locking lever (D).

NOTE: Place an M8.4 flat washer and a 5/16" lockwasher on the locking lever screw before attaching it to the intake support angle brace.



- Place the intake funnel assembly (A) on the lower support tube (B) Fig. 14. Secure it with a tube clamp (C).



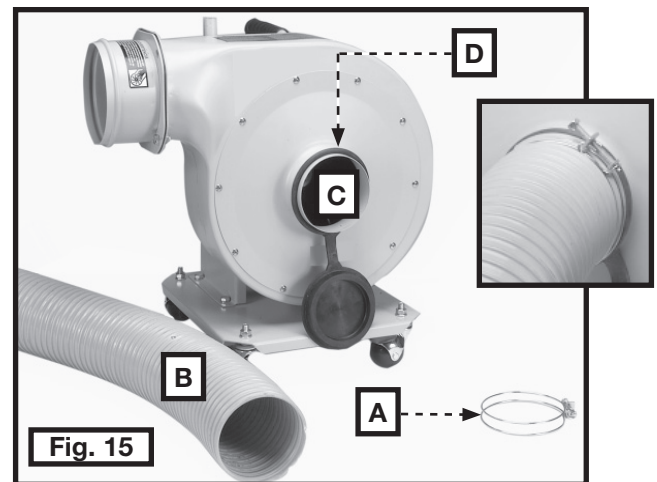
ATTACHING THE VACUUM HOSE TO THE DUST COLLECTOR

⚠ WARNING Disconnect the machine from the power source!

- Place the intake cap holder (D) on the dust collector (Fig. 15).

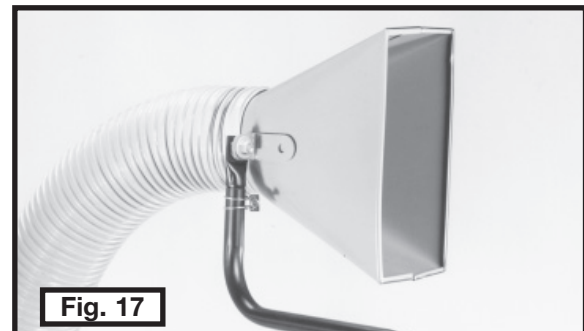
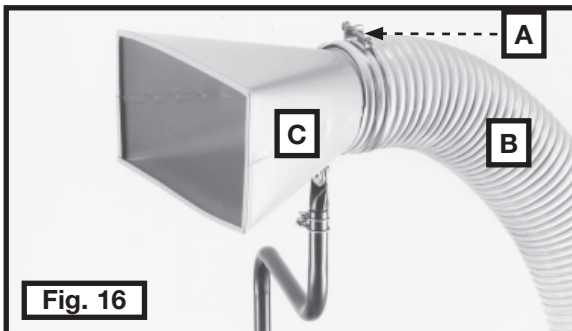
NOTE: Do not cover the intake port with the intake cap when attaching the hose to the intake port.

- Place a hose clamp (A) Fig. 15 on the end of the vacuum hose (B). Slide the hose around the intake port (see the inset). Tighten the hose clamp (A).



- Place the remaining hose clamp (A) Fig. 16 around the other end of the hose (B). Slide the hose (B) on the intake funnel (C). Tighten the hose clamp (A).

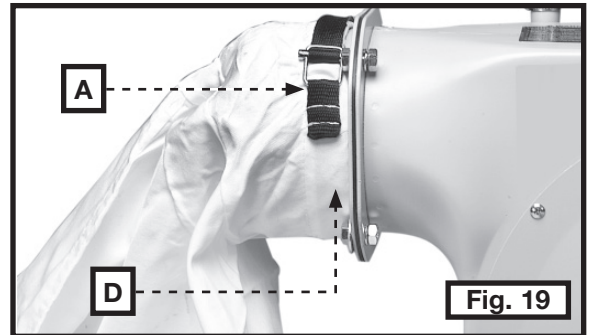
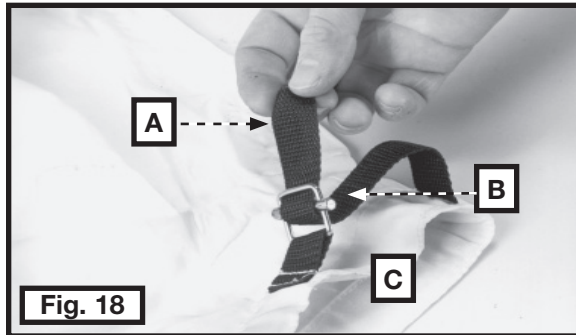
NOTE: If desired, the intake funnel (C) can be rotated to the vertical position (Fig. 17).



ATTACHING THE DUST BAG TO THE DUST COLLECTOR

⚠ WARNING Disconnect the machine from the power source!

Loosely thread the end of the dust bag strap (A) through the clamp (B) (Fig. 19). Place the open end of the dust bag (C) Fig. 19 over the outlet flange (D) Fig. 20 . Firmly pull the strap (A) to fasten the dust collection bag to the outlet flange.



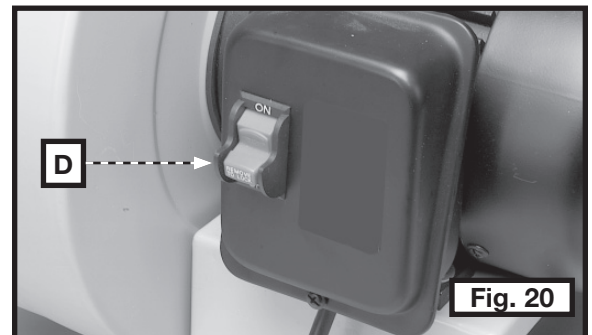
OPERATION

⚠ WARNING For operator safety, make certain the dust intake port is covered with the hose before operating the machine. The rotating fan inside the blower housing is accessible through the dust intake port and is hazardous. Make sure intake cap covers the intake port when hose is removed. Always wear proper apparel. Do not wear jewelry and keep fingers and all foreign objects out of the dust intake port. Always follow the safety rules of this manual.

OPERATIONAL CONTROLS AND ADJUSTMENTS

STARTING AND STOPPING THE DUST COLLECTOR

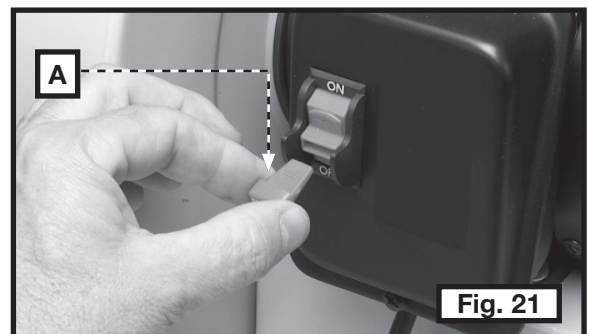
1. The on/off switch (A) Fig. 20 is located on the front of the machine. To turn the machine “ON”, move the switch up to the “ON” position.
2. To turn the machine “OFF”, move the switch (A) down to the “OFF” position.



⚠ WARNING Make sure that the switch is in the “OFF” position before plugging in the power cord. In the event of a power failure, move the switch to the “OFF” position. An accidental start-up can cause injury.

LOCKING THE SWITCH IN THE “OFF” POSITION

IMPORTANT: When the machine is not in use, the switch should be locked in the “OFF” position to prevent unauthorized use. To lock the machine, grasp the switch toggle (B) Fig. 21, and pulling it out of the switch as shown. With the switch toggle (B) removed, the switch will not operate. However, should the switch toggle be removed while the machine is running, it can be turned “OFF” once, but cannot be restarted without re-inserting the switch toggle (B).



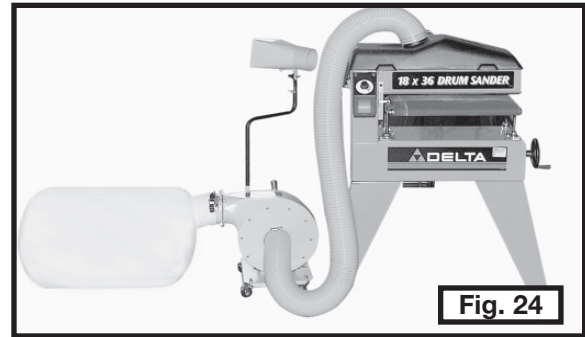
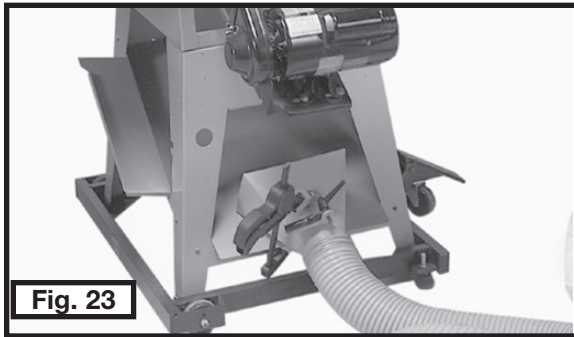
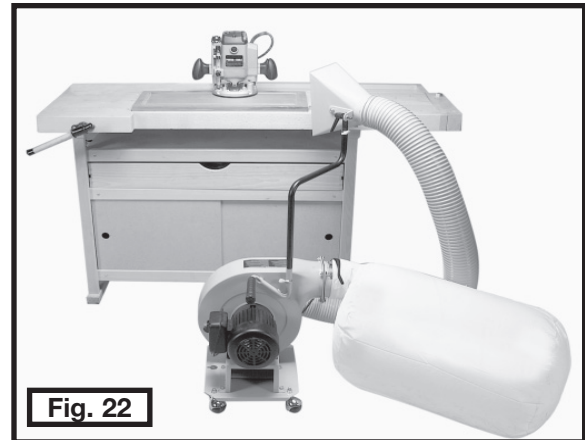
MACHINE USE

This versatile dust collector is light, compact. It can easily be transported for use in and out of the workshop. The dust collector can be used with many different types of woodworking machinery.

Fig. 22 illustrates the dust collector used with a router. Note that the intake port has been adjusted to collect dust created by the router.

Fig. 23 illustrates the dust collector used with a table saw. Note that the intake port is removed from the lower tube support. The intake funnel can be clamped to a tool.

Fig. 24 illustrates the dust collector used with a drum sander that is equipped with a dust removal port. You can connect the 4" hose directly to the dust removal port.

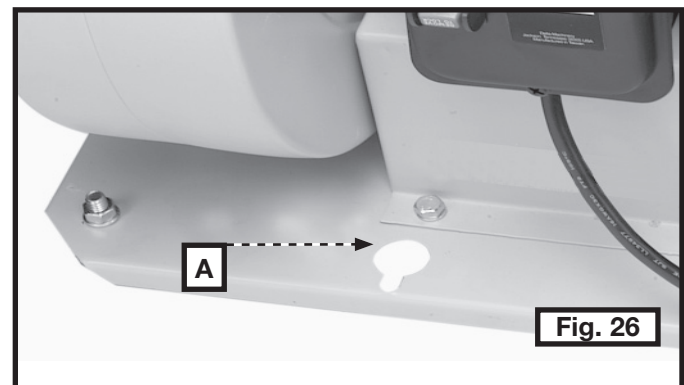
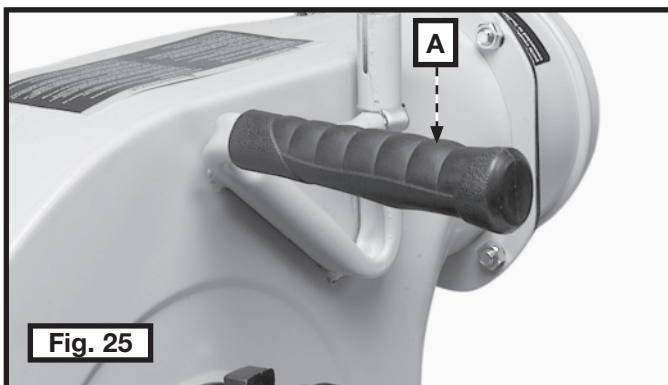


TRANSPORTATION AND STORAGE

1. The dust collector features a convenient carrying handle with rubber grip (A) Fig. 25, which allows the unit to be carried easily from one job area to another.

IMPORTANT: The dust collector weighs approximately 46 lbs. Take care when you lift or transport this unit.

2. In addition to the carrying handle, the machine features a storage mounting bracket (B) Fig. 26 with a hole for mounting the dust collector to a wall or wooden support when not in use.



TROUBLESHOOTING

For assistance with your machine, visit our website at www.deltamachinery.com for a list of service centers or call the DELTA Machinery help line at 1-800-223-7278 (In Canada call 1-800-463-3582).

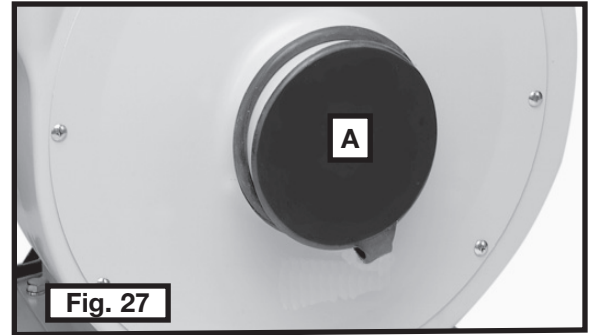
MAINTENANCE

⚠ WARNING Always disconnect the machine from the power source before performing any maintenance procedures.

Check the condition of the dust bag periodically for damage. Empty the dust bag on a regular basis. Do not transport the machine with a full dust bag.

Clean and apply a dry silicone lubricant monthly to the impeller to remove any dirt or build-up of pitch, gum and wood shavings.

⚠ WARNING Always make sure that the intake cap (A) Fig. 27 covers the intake port when the hose is not connected to the machine.



KEEP MACHINE CLEAN

Periodically blow out all air passages with dry compressed air. All plastic parts should be cleaned with a soft damp cloth. NEVER use solvents to clean plastic parts. They could possibly dissolve or otherwise damage the material.

⚠ WARNING Wear ANSI Z87.1 safety glasses while using compressed air.

FAILURE TO START

Should your machine fail to start, check to make sure the prongs on the cord plug are making good contact in the outlet. Also, check for blown fuses or open circuit breakers in the line.

SERVICE

REPLACEMENT PARTS

Use only identical replacement parts. For a parts list or to order parts, visit our website at servicenet.deltamachinery.com. You can also order parts from your nearest factory-owned branch, or by calling our Customer Care Center at 1-800-223-7278 to receive personalized support from highly-trained technicians.

SERVICE AND REPAIRS

All quality tools will eventually require servicing and/or replacement of parts. For information about Delta Machinery, its factory-owned branches, or an Authorized Warranty Service Center, visit our website at www.deltamachinery.com or call our Customer Care Center at 1-800-223-7278. All repairs made by our service centers are fully guaranteed against defective material and workmanship. We cannot guarantee repairs made or attempted by others.

You can also write to us for information at Delta Machinery, 4825 Highway 45 North, Jackson, Tennessee 38305 - Attention: Product Service. Be sure to include all of the information shown on the nameplate of your tool (model number, type, serial number, etc.)

ACCESSORIES

A complete line of accessories is available from your Delta Supplier, Porter-Cable • Delta Factory Service Centers, and Delta Authorized Service Stations. Please visit our Web Site www.deltamachinery.com for a catalog or for the name of your nearest supplier.

⚠ WARNING Since accessories other than those offered by Delta have not been tested with this product, use of such accessories could be hazardous. For safest operation, only Delta recommended accessories should be used with this product.

WARRANTY

To register your tool for warranty service visit our website at www.deltamachinery.com.

Two Year Limited New Product Warranty

Delta will repair or replace, at its expense and at its option, any new Delta machine, machine part, or machine accessory which in normal use has proven to be defective in workmanship or material, provided that the customer returns the product prepaid to a Delta factory service center or authorized service station with proof of purchase of the product within two years and provides Delta with reasonable opportunity to verify the alleged defect by inspection. For all refurbished Delta product, the warranty period is 180 days. Delta may require that electric motors be returned prepaid to a motor manufacturer's authorized station for inspection and repair or replacement. Delta will not be responsible for any asserted defect which has resulted from normal wear, misuse, abuse or repair or alteration made or specifically authorized by anyone other than an authorized Delta service facility or representative. Under no circumstances will Delta be liable for incidental or consequential damages resulting from defective products. This warranty is Delta's sole warranty and sets forth the customer's exclusive remedy, with respect to defective products; all other warranties, express or implied, whether of merchantability, fitness for purpose, or otherwise, are expressly disclaimed by Delta.

FRANÇAIS

LES INSTRUCTIONS IMPORTANTES DE SURETE

▲ AVERTISSEMENT Lire et comprendre toutes instructions d'avertissements et opération avant d'utiliser n'importe quel outil ou n'importe quel équipement. En utilisant les outils ou l'équipement, les précautions de sûreté fondamentales toujours devraient être suivies pour réduire le risque de blessure personnelle. L'opération déplacée, l'entretien ou la modification d'outils ou d'équipement ont pour résultat la blessure sérieux et les dommages de propriété. Il y a de certaines applications pour lequel outils et l'équipement sont conçus. La Delta Machinery recommande avec force que ce produit n'ait pas modifié et/ou utilisé pour l'application autrement que pour lequel il a été conçu.

Si vous avez n'importe quelles questions relatives à son application n'utilisent pas le produit jusqu'à ce que vous avez écrit Porter-Cable et nous vous avons conseillé.

La forme en ligne de contact à www.deltamachinery.com
Courrier Postal: Technical Service Manager

Delta Machinery
4825 Highway 45 North
Jackson, TN 38305

Information en ce qui concerne l'opération sûre et correcte de cet outil est disponible des sources suivantes:

Power Tool Institute
1300 Sumner Avenue, Cleveland, OH 44115-2851

www.powertoolinstitute.org

National Safety Council
1121 Spring Lake Drive, Itasca, IL 60143-3201

American National Standards Institute, 25 West 43rd Street, 4 floor, New York, NY 10036 www.ansi.org ANSI 01.1 Safety Requirements for Woodworking Machines, and the U.S. Department of Labor regulations www.osha.gov

MESURES DE SÉCURITÉ - DÉFINITIONS

Ce guide contient des renseignements importants que vous deviez bien saisir. Cette information porte sur **VOTRE SÉCURITÉ** et sur **LA PRÉVENTION DE PROBLÈMES D'ÉQUIPEMENT**. Afin de vous aider à identifier cette information, nous avons utilisé les symboles ci-dessous. Veuillez lire attentivement ce guide en portant une attention particulière à ces sections.

▲ DANGER Indique un danger imminent qui, s'il n'est pas évité, causera de graves blessures ou la mort.

▲ AVERTISSEMENT Indique la possibilité d'un danger qui, s'il n'est pas évité, pourrait causer de graves blessures ou la mort.

▲ ATTENTION Indique la possibilité d'un danger qui, s'il n'est pas évité, peut causer des dommages à la propriété.

ATTENTION Sans le symbole d'alerte. Indique la possibilité d'un danger qui, s'il n'est pas évité, peut causer des dommages; mineures ou moyennes.

LA PROPOSITION DE CALIFORNIE 65

▲ AVERTISSEMENT La poussière produite par le ponçage électrique le sciage, le meulage, le perçage et autres activités de construction peut contenir des produits chimiques qui sont reconnus, par l'état de la Californie, de causer le cancer, les anomalies congénitales ou autres maux de reproduction. Ces produits chimiques comprennent, entre autres :

- le plomb provenant des peintures à base de plomb;
- la silice cristalline provenant de briques, de béton ou d'autres produits de maçonnerie
- l'arsenic et le chrome provenant du bois de charpente traité chimiquement

Le risque d'exposition à ces produits dépend de la fréquence d'exécution de ce genre de travaux. Afin de réduire l'exposition à ces produits chimiques, travaillez dans un endroit bien aéré et utilisez de l'équipement de sécurité approuvé, portez toujours un masque facial ou respirateur homologué **MSHA/NIOSH** bien ajusté lorsque vous utilisez de tels outils.

CONSERVEZ CES INSTRUCTIONS!

RÈGLES DE SÉCURITÉ GÉNÉRALES

⚠ AVERTISSEMENT L'inobservation de ces règles peut conduire à des blessures graves.

1. **POUR SA SÉCURITÉ PERSONNELLE, LIRE LA NOTICE D'UTILISATION, AVANT DE METTRE LA MACHINE EN MARCHÉ**, et pour aussi apprendre l'application et les limites de la machine ainsi que les risques qui lui sont particuliers ainsi, les possibilités d'accident et de blessures seront beaucoup réduites.
2. **PORTEZ DES DISPOSITIFS DE PROTECTION DES YEUX ET DE L'OUÏE. UTILISEZ TOUJOURS DES LUNETTES DE SÉCURITÉ.** Des lunettes ordinaires ne constituent PAS des lunettes de sécurité. **UTILISEZ DES ÉQUIPEMENTS DE SÛRETÉ HOMOLOGUÉS.** Les dispositifs de protection des yeux doivent être conformes aux normes ANSI Z87.1. Les dispositifs de protection de l'ouïe doivent être conformes aux normes ANSI S3.19.
3. **PORTER UNE TENUE APPROPRIÉE.** Pas de cravates, de gants, ni de vêtements amples. Enlever montre, bagues et autres bijoux. Rouler les manches. Les vêtements ou les bijoux qui se trouvent pris dans les pièces mobiles peuvent entraîner des blessures.
4. **NE PAS UTILISER LA MACHINE DANS UN ENVIRONNEMENT DANGEREUX.** L'utilisation d'outils électriques dans des endroits humides ou sous la pluie peut entraîner des décharges électriques ou une électrocution. Garder la zone de travail bien éclairée pour éviter de trébucher ou d'exposer les doigts, les mains ou les bras à une situation dangereuse.
5. **GARDER LES OUTILS ET LES MACHINES EN PARFAIT ÉTAT.** Garder les outils affûtés et propres afin d'obtenir le meilleur et le plus sûr rendement. Suivre les instructions pour lubrifier et changer les accessoires. Les outils et les machines mal entretenus peuvent se dégrader davantage, et/ou entraîner des blessures.
6. **INSPECTER LES PIÈCES POUR DÉCELER TOUT DOMMAGE.** Avant d'utiliser la machine, la vérifier pour voir s'il n'y a pas de pièces endommagées. Vérifier l'alignement des pièces mobiles et si ces pièces ne se coincent pas, la rupture de pièces, ou toute autre condition pouvant en affecter le fonctionnement. Toute pièce ou protecteur endommagé doit être réparé ou remplacé. Les pièces endommagées peuvent dégrader davantage la machine et/ou entraîner des blessures.
7. **GARDER L'AIRE DE TRAVAIL PROPRE.** Les zones et établis encombrés favorisent les accidents.
8. **GARDER LES ENFANTS ET LES VISITEURS À DISTANCE.** L'atelier est un lieu potentiellement dangereux. Les enfants et les visiteurs peuvent se blesser.
9. **ÉVITER LE DÉMARRAGE ACCIDENTEL.** S'assurer que l'interrupteur est sur « OFF » (ARRÊT) avant de brancher le cordon. En cas de coupure de courant, placer l'interrupteur à la position « OFF » (ARRÊT). Un démarrage accidentel peut entraîner des blessures.
10. **UTILISER LES DISPOSITIFS PROTECTEURS.** Vérifier que tous les dispositifs protecteurs sont bien en place, bien fixés et en bon état de marche pour éviter les blessures.
11. **ENLEVER LES CLÉS DE RÉGLAGE ET CELLES DE SERRAGE AVANT DE METTRE LA MACHINE EN MARCHÉ.** Les outils, les chutes et les autres débris peuvent être projetés violemment et blesser.
12. **UTILISER LA BONNE MACHINE.** Ne pas forcer la machine ou l'accessoire à faire un travail pour lequel il n'a pas été conçu. Des dommages à la machine et/ou des blessures pourraient s'ensuivre.
13. **UTILISER LES ACCESSOIRES RECOMMANDÉS.** L'utilisation d'accessoires non recommandés par Delta peut endommager la machine et blesser l'utilisateur.
14. **UTILISER LE CORDON PROLONGATEUR APPROPRIÉ.** S'assurer que le cordon prolongateur est en bon état. Lorsqu'un cordon prolongateur est utilisé, s'assurer que celui-ci est d'un calibre suffisant pour l'alimentation nécessaire à la machine. Un cordon d'un calibre insuffisant entraînera une perte de tension d'où une perte de puissance et surchauffe. Voir le tableau sur les cordons prolongateurs pour obtenir le calibre approprié selon la longueur du cordon et l'ampérage de la machine. S'il y a un doute, utiliser un cordon d'un calibre supérieur. Plus le chiffre est petit, plus le fil est gros.
15. **FIXER LA PIÈCE.** Utilisez les brides ou l'étau quand vous ne pouvez pas fixer l'objet sur la table et contre la barrière à la main ou quand votre main sera dangereusement près de la lame (à moins de 6").
16. **AVANCER LA PIÈCE DANS LE SENS CONTRAIRE À LA ROTATION DE LA LAME, DE LA FRAISE OU DE LA SURFACE ABRASIVE.** L'alimentation dans l'autre sens peut entraîner une projection violente de la pièce.
17. **NE PAS FORCER LA MACHINE EN AVANÇANT LA PIÈCE TROP VITE.** Des dommages et/ou des blessures peuvent s'ensuivre.
18. **NE PAS SE PENCHER AU-DESSUS DE LA MACHINE.** Une perte de l'équilibre peut entraîner une chute sur la machine en marche et causer des blessures.
19. **NE JAMAIS MONTER SUR LA MACHINE.** On peut se blesser gravement si la machine bascule ou si l'on touche accidentellement son outil tranchant.
20. **NE JAMAIS LAISSER LA MACHINE EN MARCHÉ SANS SURVEILLANCE. COUPER LE COURANT.** Ne pas quitter la machine tant qu'elle n'est pas complètement arrêtée. Un enfant ou un visiteur pourrait se blesser.
21. **METTRE LA MACHINE À L'ARRÊT « OFF » ET LA DÉBRANCHER** avant d'installer ou d'enlever des accessoires, d'ajuster ou de changer des montages, ou lors des réparations. Un démarrage accidentel peut entraîner des blessures.
22. **METTRE L'ATELIER À L'ABRI DES ENFANTS AU MOYEN DE CADENAS, D'INTERRUPTEURS PRINCIPAUX OU EN ENLEVANT LES BOUTONS DES DISPOSITIFS DE MISE EN MARCHÉ.** Le démarrage accidentel de la machine par un enfant ou un visiteur peut entraîner des blessures.
23. **RESTER VIGILANT, ATTENTIF, ET FAIRE PREUVE DE BON SENS. NE PAS UTILISER LA MACHINE LORSQUE L'ON EST FATIGUÉ OU SOUS L'INFLUENCE DE DROGUES, D'ALCOOL OU DE MÉDICAMENTS.** Un instant d'inattention lors de l'utilisation d'outils électriques peut entraîner des blessures graves.
24. **⚠ AVERTISSEMENT** L'UTILISATION DE CET OUTIL PEUT PRODUIRE ET DISPERSER DE LA POUSSIÈRE OU D'AUTRES PARTICULES EN SUSPENSION DANS L'AIR, TELLES QUE LA SCIURE DE BOIS, LA POUSSIÈRE DE SILICIUM CRISTALLIN ET LA POUSSIÈRE D'AMIANTE. Dirigez les particules loin du visage et du corps. Faites toujours fonctionner l'outil dans un espace bien ventilé et prévoyez l'évacuation de la poussière. Utilisez un système de dépoussiérage chaque fois que possible. L'exposition à la poussière peut causer des problèmes de santé graves et permanents, respiratoires ou autres, tels que la silicose (une maladie pulmonaire grave) et le cancer, et même le décès de la personne affectée. Évitez de respirer de la poussière et de rester en contact prolongé avec celle-ci. En laissant la poussière pénétrer dans vos yeux ou votre bouche, ou en la laissant reposer sur votre peau, vous risquez de promouvoir l'absorption de substances toxiques. Portez toujours des dispositifs de protection respiratoire homologués par NIOSH/OSHA, appropriés à l'exposition à la poussière et de taille appropriée, et lavez à l'eau et au savon les surfaces de votre corps qui ont été exposées.

RÈGLES DE SÉCURITÉ SPÉCIFIQUES SUPPLÉMENTAIRES

⚠ AVERTISSEMENT L'inobservation de ces règles peut conduire à des blessures graves.

⚠ AVERTISSEMENT **NE PAS UTILISER CET APPAREIL POUR FILTRER LA POUSSIÈRE DE MÉTAL.** La combinaison de poussières de bois et de métal peut créer un risque d'explosion ou d'incendie. Cet appareil est conçu pour filtrer dans des milieux non déflagrants.

⚠ AVERTISSEMENT **NE PAS UTILISER CET APPAREIL POUR DISSIPER DES VAPEURS OU DE LA FUMÉE.** Cela peut se solder par des explosions ou un incendie. Le présent dépoussiéreur est conçu pour une utilisation seulement en présence de poussières sèches en suspension. Limiter l'utilisation à des milieux non déflagrants exempts de métaux

- 1. NE PAS UTILISER L'APPAREIL AVANT QU'IL NE SOIT ENTIÈREMENT ASSEMBLÉ ET INSTALLÉ CONFORMÉMENT AUX DIRECTIVES.** Un appareil mal assemblé peut provoquer des blessures.
- 2. DEMANDER CONSEIL À UN SUPERVISEUR, INSTRUCTEUR, OU TOUTE AUTRE PERSONNE QUALIFIÉE** si l'on ne maîtrise pas parfaitement l'utilisation de l'appareil. La connaissance est synonyme de sécurité
- 3. SUIVRE TOUS LES CODES DE CÂBLAGE** et les connexions électriques recommandées afin d'éviter tout choc électrique ou électrocution.
- 4. NE PAS TIRER SUR L'APPAREIL PAR LE CORDON D'ALIMENTATION.** Éloigner le cordon d'alimentation d'accessoires ou bords tranchants, de surfaces chaudes, d'huile ou de graisse. Ne pas déposer d'objets lourds sur le cordon d'alimentation. Un cordon d'alimentation endommagé risque de provoquer un choc électrique ou une électrocution.
- 5. APPUYER L'APPAREIL OU LE FIXER SOLIDEMENT AVEC UN SERRE-JOINT À LA SURFACE DE TRAVAIL LORS D'UNE UTILISATION COMME ACCESSOIRE PORTATIF** pour empêcher une blessure éventuelle et/ou des dommages des suites d'une chute.
- 6. S'ASSURER QUE LES ORIFICES D'ADMISSION ET D'ÉVACUATION SONT LIBRES AVANT DE DÉMARRER L'APPAREIL.** Un orifice d'admission ou d'évacuation obstrué risque de provoquer une explosion et/ou un incendie
- 7. NE PAS UTILISER LE DÉPOUSSIÉREUR** pour ramasser des liquides inflammables comme l'essence. Ne pas utiliser le dépoussiéreur près de liquides inflammables ou combustibles. Cela peut se solder par une explosion et/ou un incendie
- 8. ÉLOIGNER LES BRAS, MAINS, ET DOIGTS DU VENTILATEUR.** Éviter tout contact avec des pièces mobiles pour empêcher des blessures.
- 9. NE PAS UTILISER L'APPAREIL SANS LE SAC COLLECTEUR DE POUSSIÈRE EN PLACE ET BIEN FIXÉ.** La sciure et autres débris peuvent créer un risque potentiel d'incendie et/ou d'explosion ainsi que des problèmes respiratoires.
- 10. INSPECTER LE SAC À POUSSIÈRE POUR TOUTE TRACE DE COUPURES OU DÉCHIRURES.** Remplacer les sacs ou tuyaux d'aspirateur endommagés. La sciure et autres débris peuvent créer un risque potentiel d'incendie et/ou d'explosion ainsi que des problèmes respiratoires.
- 11. TOUJOURS INSTALLER DES CAPUCHONS D'ADMISSION SUR LES ORIFICES INUTILISÉS.** Les débris risquent d'endommager l'appareil et de provoquer une blessure.
- 12. NE PAS ESSAYER DE RETIRER OU DE REMPLACER** le ou les sacs collecteurs de poussière alors que l'appareil est branché à la prise. Des pales de ventilateur exposées peuvent provoquer de graves blessures.
- 13. MAINTENIR L'APPAREIL EN EXCELLENTE CONDITION.** Des filtres bouchés peuvent accroître le potentiel d'incendie ou d'explosion. Suivre toutes les directives pour le changement et les nettoyage de filtres.
- 14. ENTREPOSER L'APPAREIL DANS UN ENDROIT** qui élimine le risque de dommages potentiels au cordon d'alimentation. Un cordon d'alimentation endommagé risque de provoquer un choc ou une électrocution. Ranger le cordon d'alimentation de façon sécuritaire pour empêcher le risque de trébuchement.
- 15. ÉTEINDRE L'APPAREIL ET LE DÉBRANCHER** avant d'installer ou de retirer tout accessoire, avant d'ajuster ou de modifier les réglages, ou lors de réparations. Un démarrage accidentel peut provoquer des blessures graves.
- 16. ÉTEINDRE L'APPAREIL,** le débrancher, et nettoyer la table/l'espace de travail avant de quitter la zone.

CONSERVER CES DIRECTIVES.

**Les consulter souvent et les utiliser
pour donner des directives aux autres.**

RACCORDEMENTS ÉLECTRIQUES

Un circuit électrique séparé doit être utilisé pour les machines. Les fils de ce circuit doivent être au moins de calibre 12. Ce circuit doit être protégé par un fusible temporisé de 20 A. Si on utilise un cordon prolongateur, ce cordon doit être à trois fils, avoir une fiche à trois broches et une prise de courant à trois cavités, mise à la terre qui correspond à la fiche de la machine. Avant de débrancher la machine, s'assurer que l'interrupteur (les interrupteurs) se trouve(nt) en position « OFF » (ARRÊT) et que le courant électrique présente les mêmes caractéristiques que celles qui sont inscrites sur la machine. Toutes les connexions électriques doivent établir un bon contact. Le fonctionnement sur une basse tension endommagera la machine.

⚠ DANGER Ne pas exposer la machine à la pluie, et ne pas l'utiliser dans des endroits humides.

SPÉCIFICATIONS DU MOTEUR

Cette machine est câblée pour un fonctionnement sur un courant alternatif de 120 volts 60 Hz. Avant de brancher la machine, s'assurer que l'interrupteur se trouve à la position « OFF » (ARRÊT).

INSTRUCTIONS DE MISE À LA TERRE

⚠ DANGER Cette machine doit être mise à la terre pendant son emploi, afin de protéger l'utilisateur des charges électriques.

- Toutes les machines avec cordon mis à la terre:** Dans l'éventualité d'un mauvais fonctionnement ou d'une panne, la mise à la terre fournit un trajet de moindre résistance permettant de réduire le risque de décharge électrique. Cette machine est dotée d'un cordon électrique possédant un conducteur de mise à la terre de l'équipement ainsi que d'une fiche mise à la terre. La fiche doit être branchée dans une prise de courant correspondante, installée de façon adéquate et mise à la terre conformément à tous les codes et règlements locaux.

Ne pas modifier la fiche fournie - si elle ne s'adapte pas à la prise de courant, il faut faire installer une prise de courant convenable par un électricien compétent.

Un mauvais raccordement du conducteur de mise à la terre de l'équipement peut entraîner un risque de décharge électrique. Le conducteur possédant un isolant avec surface extérieure de couleur verte, avec ou sans rayures jaunes, est le conducteur de mise à la terre de l'équipement. Si une réparation ou un remplacement du cordon électrique s'avère nécessaire, ne pas brancher le conducteur de mise à la terre de l'équipement à une borne sous tension.

Consulter un électricien compétent ou le personnel de service après-vente si on ne comprend pas entièrement les instructions de mise à la terre, ou si l'on doute que la machine soit correctement mise à la terre.

Utiliser seulement des cordons prolongateurs à trois fils dotés d'une fiche mise à la terre, à trois broches, et de prises à trois cavités convenant à la fiche de la machine, comme l'illustre la figure A.

Réparer ou remplacer sans délai tout cordon endommagé ou usé.
- Machines avec cordon mis à la terre prévues pour une utilisation sur une alimentation nominale inférieure à 150 volts :** Si cette machine est prévue pour être utilisée sur un circuit qui comporte une prise semblable à celle illustrée à la figure A, la machine devra comporter une fiche mise à la terre semblable à celle illustrée à la figure A. Un adaptateur temporaire semblable à celui illustré à la figure B, peut être utilisé pour raccorder cette fiche à une prise à deux cavités comme celle illustrée à la figure B, si une prise correctement mise à la terre n'est pas disponible. L'adaptateur temporaire ne doit être utilisé que jusqu'au moment où une prise correctement mise à la terre est installée par un électricien compétent. L'oreiller rigide ou autre dispositif semblable de couleur verte, sur le dessus de l'adaptateur, doit être connecté sur une mise à la terre permanente comme, par exemple une boîte à prises correctement mise à la terre. Quand un adaptateur est utilisé, celui-ci doit être retenu en place par une vis en métal.

REMARQUE: Au Canada, le Code canadien de l'électricité ne permet pas l'emploi d'un adaptateur temporaire.

⚠ DANGER Dans tous les cas, s'assurer que la prise en question est bien mise à la terre. Dans le doute, demander à un électricien compétent de vérifier la prise.

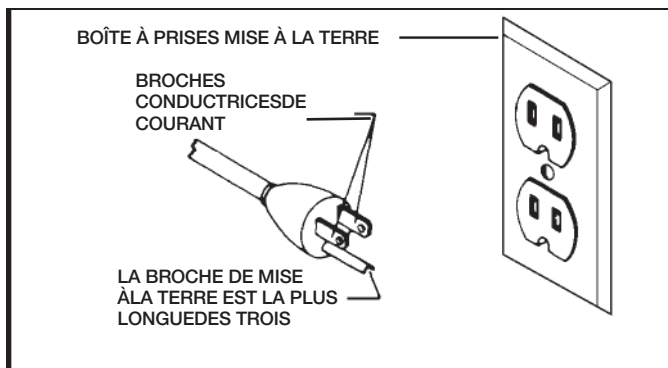


Fig. A

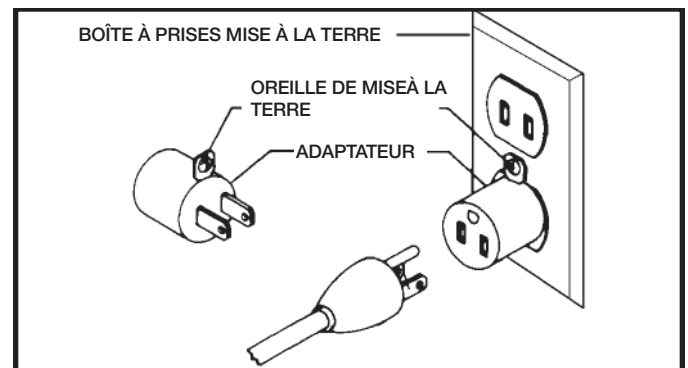


Fig. B

CORDON DE RALLONGE

⚠ AVERTISSEMENT Employez les cordes appropriées de prolongation. S'assurez que votre corde de prolongation est en bon état. En utilisant une corde de prolongation, soyez sûr d'employer un assez lourd pour porter le courant de la machine. Une corde trop petite causera une baisse dans la tension secteur, ayant pour résultat la perte de puissance et de surchauffe. Fig. D-1, expositions la mesure correcte à employer selon la longueur de corde. En cas de doute, utilisez la prochaine mesure plus lourde. Plus le nombre de mesure est petit, plus la corde est lourde.

MESUR MINIMUM DE CORDE D'EXTENSION			
TAILLES RECOMMANDÉES POUR L'USAGE AVEC STATIONNAIRES ÉLECTRIQUES LES OUTILS			
Estimation père	Volts	Longueur Totale De Corde En Pieds	Mesure De Corde D'Am D'Extension
0-6	120	up to 25	18 AWG
0-6	120	25-50	16 AWG
0-6	120	50-100	16 AWG
0-6	120	100-150	14 AWG
6-10	120	up to 25	18 AWG
6-10	120	25-50	16 AWG
6-10	120	50-100	14 AWG
6-10	120	100-150	12 AWG
10-12	120	up to 25	16 AWG
10-12	120	25-50	16 AWG
10-12	120	50-100	14 AWG
10-12	120	100-150	12 AWG
12-16	120	up to 25	14 AWG
12-16	120	25-50	12 AWG
12-16	120	50 PI PLUS GRANDS QUE NON RECOMMANDÉS	

Fig. D-1

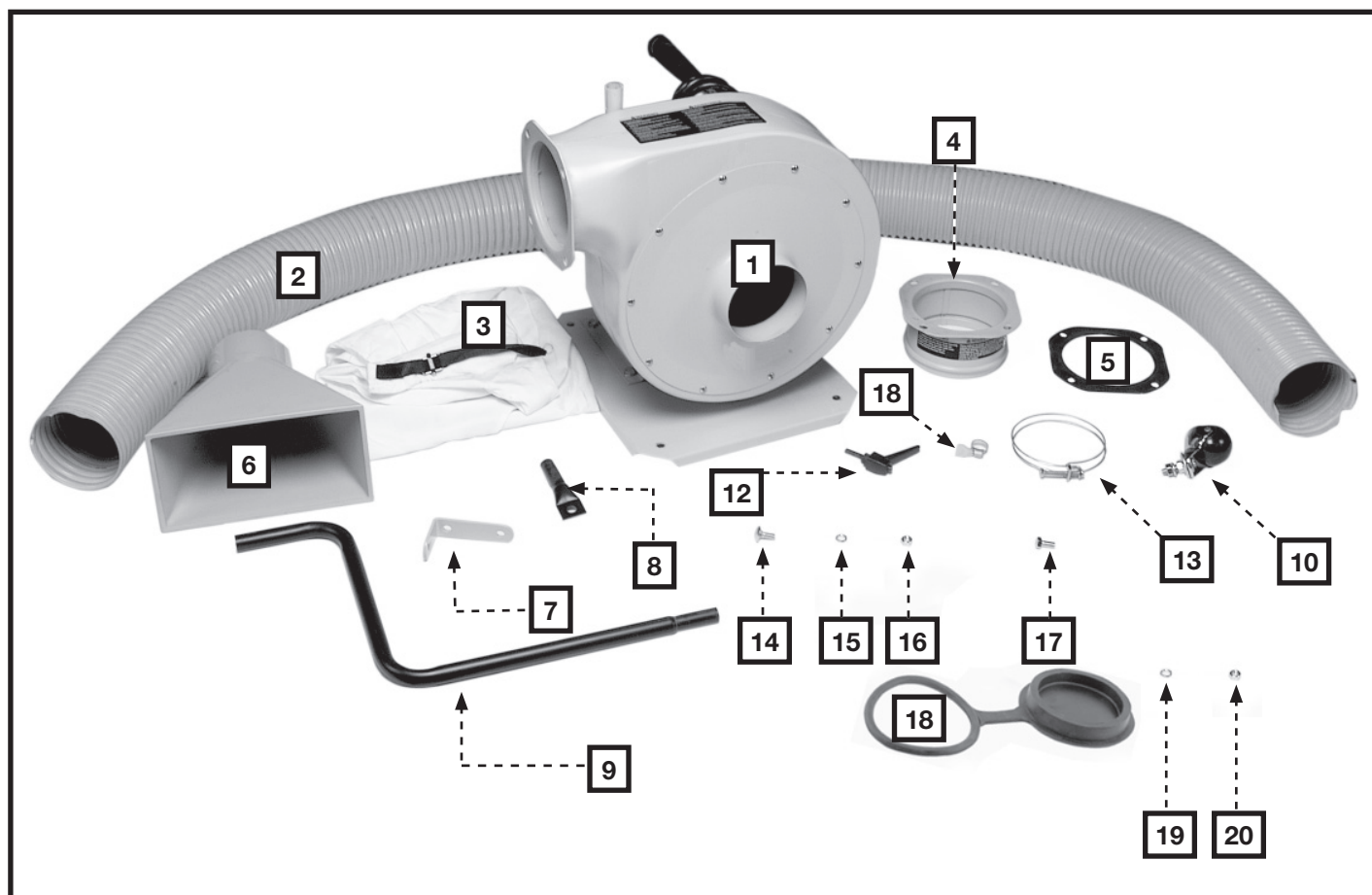
DESCRIPTION FONCTIONNELLE

AVANT-PROPOS

Le Delta Modèle AP300 est un dépoussiéreur portatif à étage unique.

REMARQUE : La photo de la couverture du mode d'emploi illustre le modèle de production actuel. Les autres illustrations de ce mode d'emploi ne sont présentes qu'à titre indicatif et il est possible que les étiquettes et accessoires actuels diffèrent des caractéristiques réelles de ce modèle. Ces illustrations ont uniquement pour but d'illustrer la technique.

CONTENUS DE BOITE



1. Dépoussiéreur
2. Tuyau
3. Sac à poussière
4. Collier de serrage de l'évacuation
5. Joint d'étanchéité du collier de serrage de l'évacuation
6. Entonnoir d'admission
7. Fixation à angle du support d'admission
8. Ferrure de support supérieur
9. Support du tube inférieur
10. (4) roulettes
11. (2) fixations pour le support du tube inférieur
12. Levier de blocage réglable
13. (2) colliers pour tuyau
14. (2) boulons de carrosserie à tête ronde de 7,9 mm - 18 x 15,9 mm (5/16 - 18 x 5/8 po)
15. Rondelle de blocage de 7,9 mm (5/16 po)
16. (6) écrous hexagonaux à embase de 7,9 mm - 18 x 15,9 mm (5/16 - 18 x 5/8 po)
17. (4) vis à tête hexagonale de 7,9 mm - 18 x 15,9 mm (5/16 - 18 x 5/8 po)
18. Capuchon de l'orifice d'admission
19. Rondelle plate M8.4
20. (4) écrous hexagonaux à embase de 9,5 mm (3/8 po) - 16 x 16 mm (3/8-16 Flange Hex nut (4))

DÉSEMBALLAGE ET NETTOYAGE

Désemballer soigneusement la machine et toutes les pièces de ou des emballage(s) d'expédition. Retirer l'huile anti-corrosion des surfaces non peintes à l'aide d'un chiffon doux humidifié avec de l'alcool, du diluant à peinture ou de l'alcool dénaturé.

ASSEMBLAGE

⚠ AVERTISSEMENT Pour votre propre sécurité, ne pas brancher l'appareil à une source d'alimentation avant qu'il ne soit entièrement assemblé, ni avant d'avoir lu et compris l'intégralité de ce mode d'emploi.

OUTILS NÉCESSAIRES POUR L'ASSEMBLAGE

Clé à fourche ou polygonale de 12,7 et 14,3 mm (1/2 et 9/16 po) – non fournie

Douille et visseuse de 12,7 et 14,3 mm (1/2 po et 9/16 po) – non fournie

Tournevis plat ou cruciforme – non fournie

DURÉE ESTIMÉE POUR L'ASSEMBLAGE

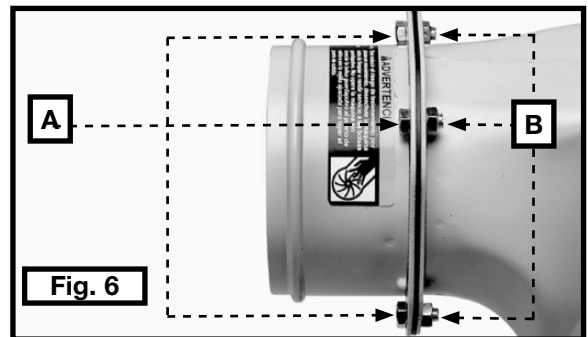
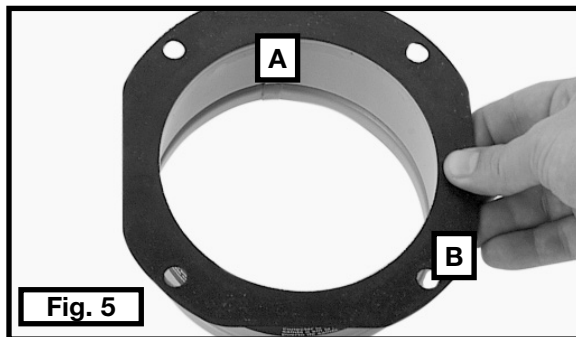
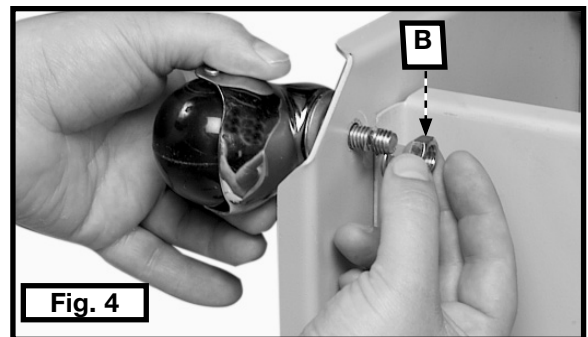
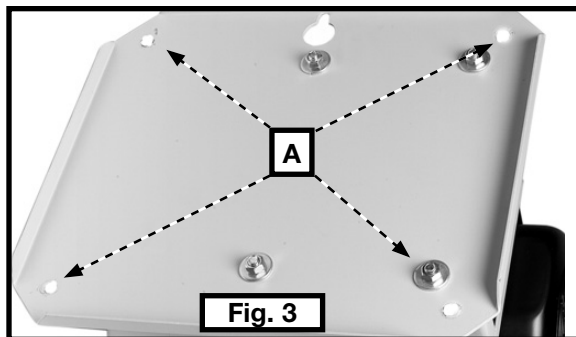
L'assemblage pour cette machine prend approximativement 1-2 heures.

L'INSTALLATION DES ROULETTES

1. Placer le dépoussiéreur sur le côté.
2. Insérer le boulon de la roulette dans les quatre trous (A) fig. 3, de la base du dépoussiéreur.
3. Enfiler un écrou hexagonal à embase de 3/8-16 (B) fig. 4, sur chacun des quatre boulons et serrer solidement.

L'INSTALLATION DU COLLIER DE SERRAGE DE L'ÉVACUATION

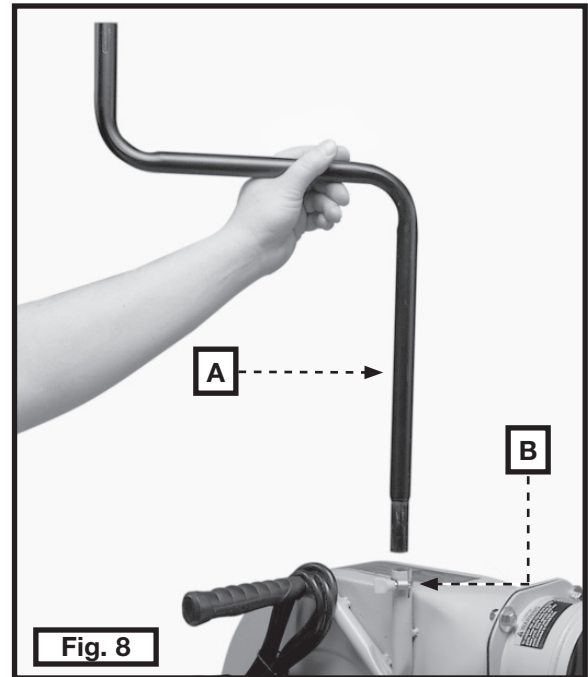
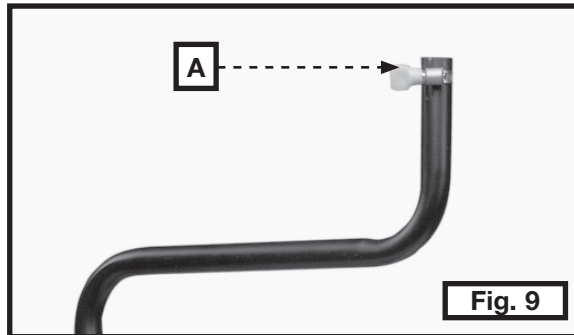
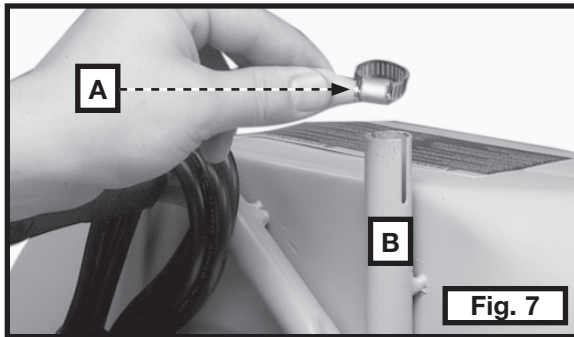
1. Aligner les trous du collier de serrage de l'évacuation (A) fig. 5, avec ceux du joint d'étanchéité du collier de serrage de l'évacuation (B).
2. Insérer un boulon à tête hexagonale de 7,9 mm - 18 x 15,9 mm (5/16 - 18 x 5/8 po) le collier de serrage de l'évacuation, le joint d'étanchéité et le socle de l'appareil comme indiqué à la figure 6.
3. Enfiler un écrou hexagonal de 7,9 mm - 18 x 15,9 mm (5/16 - 18 x 5/8 po) (B) sur le boulon à tête hexagonale de 7,9 mm - 18 x 15,9 mm (5/16 - 18 x 5/8 po) (A) fig. 6, puis serrer solidement.
4. Répéter l'assemblage pour les trois autres boulons.



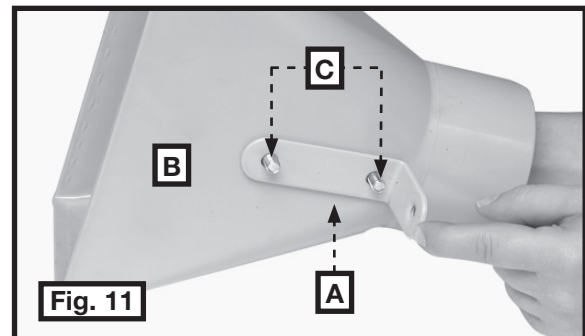
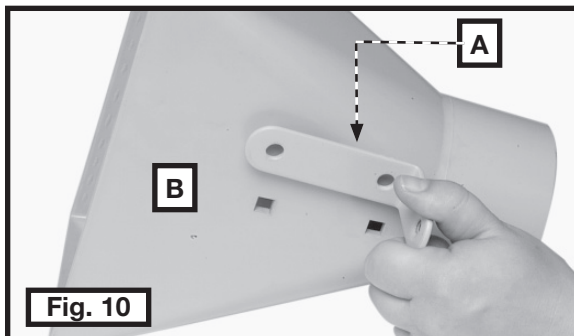
ASSEMBLAGE DU TUBE ET CONNECTEUR À L'ORIFICE DU CORPS DU COLLECTEUR

⚠ AVERTISSEMENT Débrancher l'appareil de la source d'alimentation!

1. Insérer le collier de serrage du tube (A) fig. 7, sur le porte-tube du support inférieur (B).
2. Insérer le support inférieur du tube (A) dans le porte-tube du support (B) comme indiqué à la figure 8.
3. Placer un collier de serrage (A) sur le support intérieur du tube comme indiqué à la fig. 9.

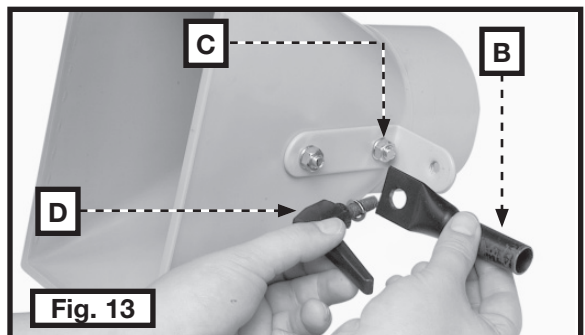
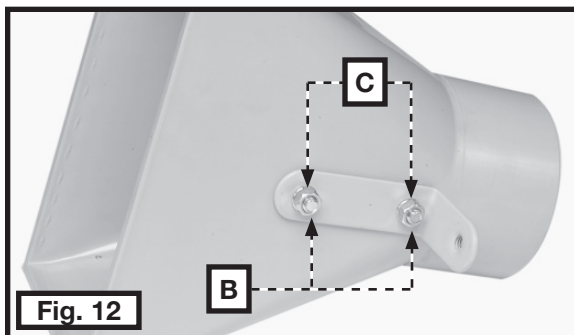


4. Aligner les trous de la fixation à angle du support d'admission (A) fig. 10, avec les deux trous de l'entonnoir d'admission (B).
5. Assembler la fixation à angle du support d'admission et l'entonnoir d'admission à l'aides des deux boulons de carrosserie à tête ronde 7,9 mm - 18 x 15,9 mm (5/16 - 18 x 5/8 po) (C), insérer par l'entonnoir d'admission (B) et la fixation à angle du support d'admission (A) comme indiqué à la fig. 11.

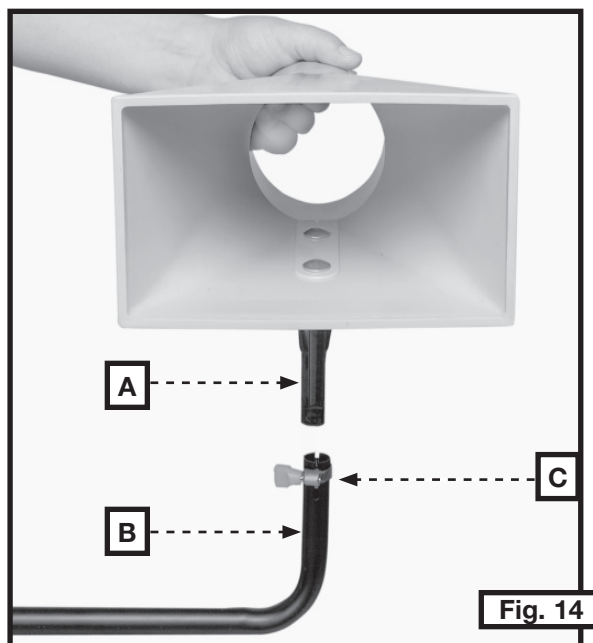


6. Enfiler un écrou hexagonal à embase de 7,9 mm - 18 x 15,9 mm (5/16 - 18 x 5/8 po) (C) fig. 12, sur le boulon (B) puis serrer solidement.
7. Assembler la ferrure de support supérieur (B) fig. 13, à la fixation à angle du support d'admission (C) à l'aide du levier de blocage réglable (D).

REMARQUE: Enfiler une rondelle plate M8.4 (E) et une rondelle de blocage de 15,9 mm (5/16 po) (F) fig. 13, sur la vis du levier de blocage pour assembler la fixation à angle du support d'admission.



- Placer le module de l'entonnoir d'admission (A), sur le support du tube inférieur (B) fig. 14, le fixer solidement à l'aide du collier de serrage du tube (C).



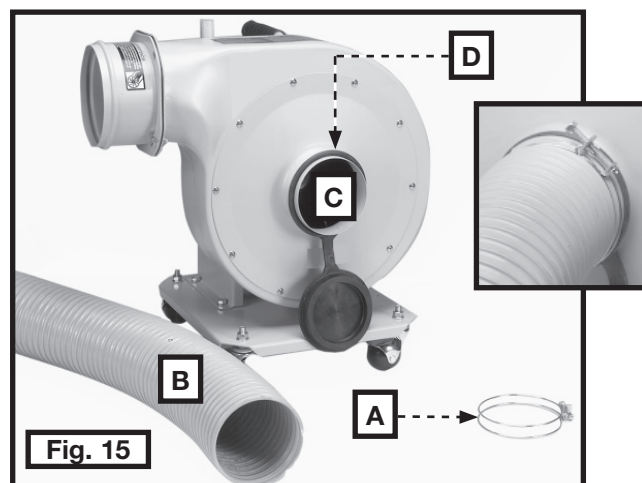
ASSEMBLAGE DU TUYAU D'ASPIRATEUR AU DÉPOUSSIÉREUR

⚠ AVERTISSEMENT Débrancher l'appareil de la source d'alimentation!

- Insérer la retenue du capuchon de l'orifice d'admission (D) sur le dépollueur comme indiqué à la fig. 15.

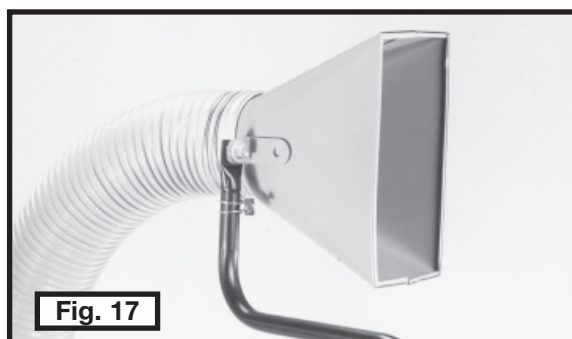
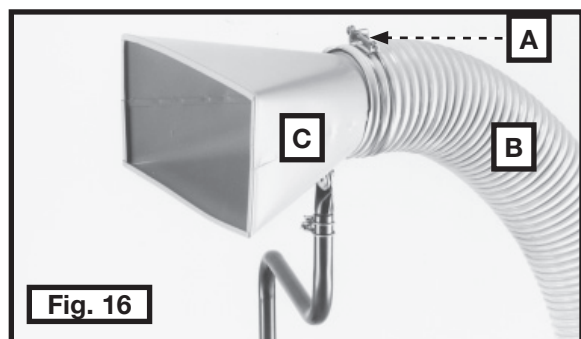
REMARQUE: ne pas couvrir l'orifice d'admission avec le capuchon de l'orifice d'admission lors du raccordement du tuyau à l'orifice.

- Insérer le collier de serrage du tuyau (A) fig. 15, sur une extrémité du tuyau d'aspirateur (B) et glisser le tuyau autour de l'orifice d'admission (C) comme indiqué à la fig. 16. Serrer le collier de serrage du tuyau (A).



- Insérer l'autre collier de serrage de tuyau (A) fig. 16, autour de l'autre extrémité du tuyau (B), glisser le tuyau (B) jusqu'à l'entonnoir d'admission (C) et serrer le collier (A).

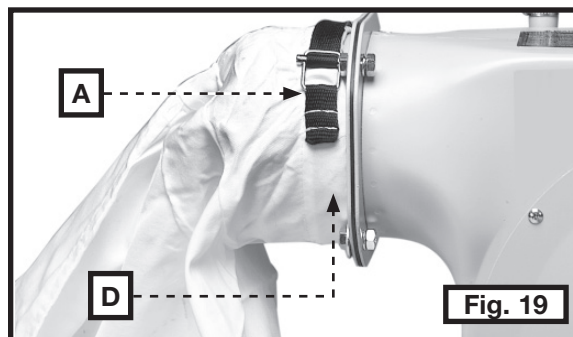
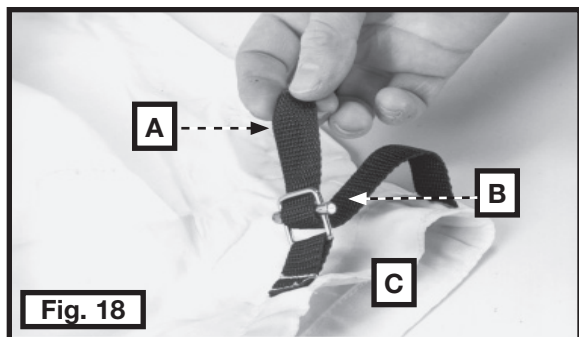
REMARQUE: il est possible de faire pivoter l'entonnoir d'admission en position verticale comme indiqué à la fig. 17.



ASSEMBLAGE DU SAC À POUSSIÈRE AU DÉPOUSSIÉREUR

⚠ AVERTISSEMENT Débrancher l'appareil de la source d'alimentation!

Enfiler lâchement l'extrémité de la sangle du sac à poussière (A) dans le collier de serrage (B) comme indiqué à la fig. 18. Placer l'ouverture du sac à poussière (C) fig. 18, par dessus la bride de l'évacuation (D) fig. 19, et tirer fermement sur la sangle (A) pour fixer le sac collecteur de poussière à la bride d'évacuation.



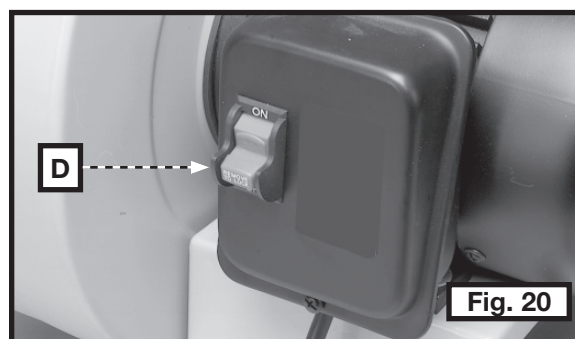
FONCTIONNEMENT

⚠ AVERTISSEMENT Pour la sécurité de l'opérateur, s'assurer que l'orifice d'admission de la poussière est couvert par le tuyau avant d'utiliser l'appareil. Le ventilateur logé à l'intérieur du boîtier du souffleur est accessible par l'orifice d'admission de la poussière et peut s'avérer dangereux. S'assurer que le capuchon de l'admission couvre l'orifice d'admission lors du retrait du tuyau. Toujours porter des vêtements adéquats. Ne pas porter de bijoux et éloigner les doigts et tout objet étranger de l'orifice d'admission de la poussière. Toujours suivre les règles en matières de sécurité du présent mode d'emploi.

L'OPERATION CONTROLE DE LE ET LES AJUSTEMENT

DÉMARRAGE ET ARRÊT DE L'APPAREIL

1. L'interrupteur marche/arrêt (A) fig. 20, est situé à l'avant de l'appareil. Pour mettre la raboteuse sous tension, déplacer l'interrupteur vers le haut en position de marche.
2. Pour l'éteindre, déplacer l'interrupteur (A) vers le bas en position d'arrêt.



⚠ AVERTISSEMENT S'assurer que l'interrupteur se trouve sur la position d'arrêt avant de brancher le cordon d'alimentation dans la prise. Ne pas toucher aux lames métalliques de la fiche lors du branchement ou débranchement du cordon.

VERROUILLER L'INTERRUPTEUR EN POSITION D'ARRÊT

IMPORTANT: Lorsque l'appareil est inutilisé, l'interrupteur doit être verrouillé en position d'arrêt pour empêcher toute utilisation non autorisée. Pour verrouiller l'appareil, saisir la bascule de l'interrupteur (B) fig. 24, et la retirer de l'interrupteur comme indiqué. Une fois la bascule de l'interrupteur (a) retirée, l'interrupteur ne fonctionnera pas. Cependant, si la bascule de l'interrupteur est retirée tandis que l'appareil est en marche, il sera possible de l'éteindre et non de le redémarrer sans réinsérer la bascule de l'interrupteur (B).



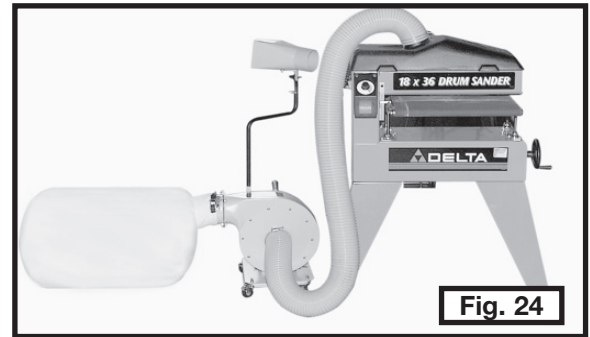
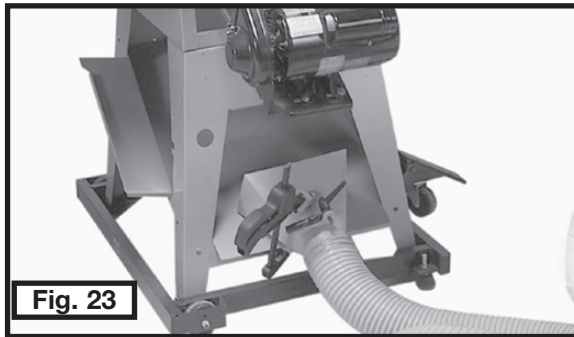
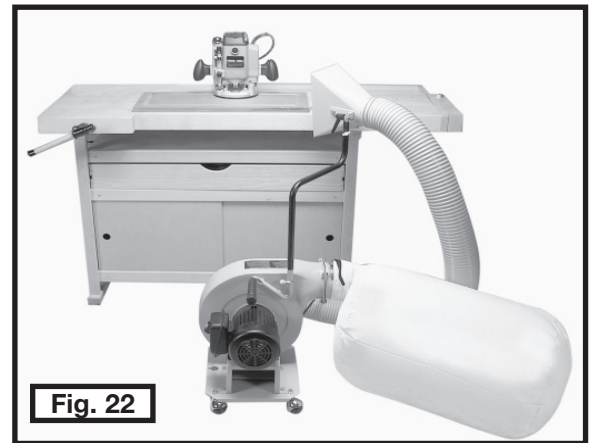
UTILISATION DE LA MACHINE

Ce collecteur varié de poussière est léger, compact. Il peut être transporté facilement pour l'usage dans et de l'atelier. Le collecteur de poussière peut être utilisé avec beaucoup de types différents de machinerie de travail du bois.

La fig. 22 illustre le dépoussiéreur accouplé à un banc de scie. Remarquer que l'orifice d'admission a été retiré du support du tube inférieur. Il est possible de fixer l'entonnoir de l'admission à un outil comme indiqué.

La fig. 23 illustre le dépoussiéreur accouplé à une ponceuse à tambour munie d'un orifice d'aspiration de la poussière. Le tuyau de 102 mm (4 po) se raccorde directement à l'orifice d'aspiration de la pousière.

La fig. 24 illustre le collecteur de poussière utilisé avec une ponceuse de tambour qui est équipée avec un port d'enlèvement de poussière. Vous pouvez connecter le 4" tuyau directement au port d'enlèvement de poussière.

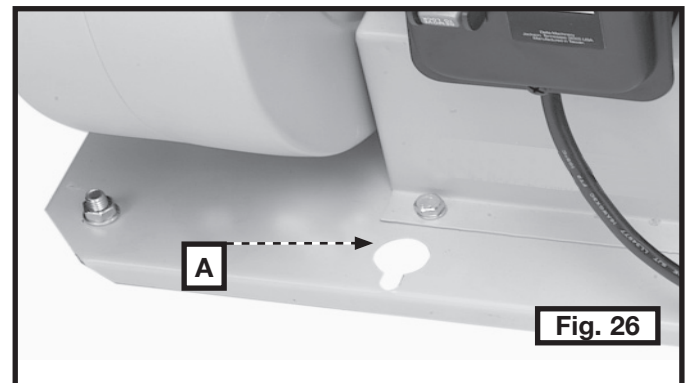
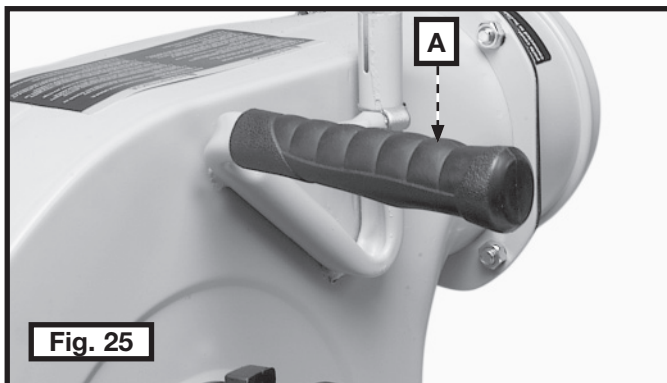


TRANSPORT ET ENTREPOSAGE

1. Le dépoussiéreur comporte une poignée de transport pratique gainée de caoutchouc (A) fig. 25, qui permet le transport aisé de l'appareil d'un travail à un autre.

IMPORTANT: Le dépoussiéreur pèse environ 20,8 kg (46 lb). Être prudent lors du soulèvement et du transport de l'appareil.

2. En plus de la poignée de transport, l'appareil comporte un support de fixation pour rangement (A) fig. 26, avec un trou pour fixer le dépoussiéreur à un mur ou sur un montant lorsque inutilisé.



DEPANNAGE

Pour l'assistance avec votre outil, visiter notre site web à www.deltamachinery.com pour une liste de centres de maintenance ou appeler la ligne d'aide de Delta Machinery à 1-800-223-7278. (Canada: 1-800-463-3582).

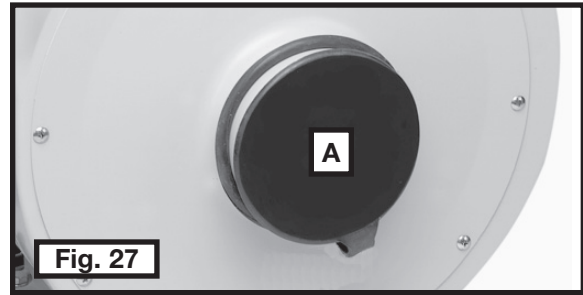
MAINTENANCE

▲ AVERTISSEMENT Always disconnect the machine from the power source before performing any maintenance procedures.

Vérifier périodiquement la condition du sac à poussière pour toute trace de dommages et le vider sur une base régulière. Ne pas transporter l'appareil avec un sac à poussière plein.

Nettoyer et appliquer, mensuellement, sur l'hélice un lubrifiant sec à base de silicone pour enlever toute saleté ou accumulation de résine, gomme ou copeaux.

▲ AVERTISSEMENT Toujours s'assurer que le capuchon d'admission (A) fig. 31, couvre l'orifice d'admission lorsque le tuyau n'est pas raccordé à l'appareil.



GARDER LA MACHINE PROPRE

Dégager régulièrement toutes les conduites d'air avec de l'air comprimé sec. Toutes les pièces en plastique doivent être nettoyées à l'aide d'un chiffon doux humide. NE JAMAIS utiliser de solvants pour nettoyer les pièces en plastique. Les solvants peuvent dissoudre ou endommager le matériel

▲ AVERTISSEMENT Porter des protections oculaire et auditive homologuées et utiliser un appareil respiratoire lors de l'utilisation d'air comprimé.

DÉMARRAGE IMPOSSIBLE

Si la machine ne démarre pas, s'assurer que les lames de la fiche du cordon d'alimentation sont bien enfoncées dans la prise de courant. Vérifier également que les fusibles ne sont pas grillés ou que le disjoncteur ne s'est pas déclenché.

SERVICE

PIÈCES DE RECHANGE

Utiliser seulement des pièces de rechange identiques. Pour obtenir une liste des pièces de rechange ou pour en commander, consulter notre site Web au servicenet.deltamachinery.com. Commander aussi des pièces auprès d'une succursale d'usine ou composer le 1-800-223-7278 pour le service à la clientèle et recevoir ainsi une assistance personnalisée de techniciens bien formés.

ENTRETIEN ET RÉPARATION

Tous les outils de qualité finissent par demander un entretien ou un changement de pièce. Pour de plus amples renseignements à propos de Delta Machinery, ses succursales d'usine ou un centre de réparation sous garantie autorisé, consulter notre site Web au www.deltamachinery.com ou composer le 1-800-223-7278 pour le service à la clientèle. Toutes les réparations effectuées dans nos centres de réparation sont entièrement garanties contre les défauts de matériaux et de main-d'oeuvre. Nous ne pouvons garantir les réparations effectuées en partie ou totalement par d'autres.

Pour de plus amples renseignements par courrier, écrire à Delta Machinery, 4825 Highway 45 North, Jackson, Tennessee 38305, É.-U. – à l'attention de : Product Service. S'assurer d'indiquer toutes les informations figurant sur la plaque signalétique de l'outil (numéro du modèle, type, numéro de série, etc.).

ACCESSOIRES

Une ligne complète des accessoires est fournie des centres commerciaux d'usine de par votre de Porter-Cable•Delta fournisseur, de Porter-Cable•Delta, et des stations service autorisées par Porter-Cable. Veuillez visiter notre site Web www.deltamachinery.com pour un catalogue ou pour le nom de votre fournisseur plus proche.

▲ AVERTISSEMENT Depuis des accessoires autre que ceux offerts par Porter-Cable•Delta n'ont pas été testés avec ce produit, utilisation de tels accessoires a pu être dangereux. Pour l'exploitation sûre, seulement Porter-Cable•Delta a recommandé des accessoires devrait être utilisé avec ce produit.

GARANTIE

Pour enregistrer votre outil pour la garantie service la visite notre site Web à www.deltamachinery.com.

Garantie limitée de deux ans

Delta réparera ou remplacera, à ses frais et à sa discrétion, toute nouvelle machine Delta, pièce de rechange ou tout accessoire qui, dans des circonstances d'utilisation normale, s'est avéré défectueux en raison de défauts de matériau ou de fabrication, à condition que le client retourne le produit (transport payé d'avance) au centre de réparation de l'usine Delta ou à un centre de réparation autorisé accompagné d'une preuve d'achat et dans les deux ans de la date d'achat du produit, et fournisse à Delta une opportunité raisonnable de vérifier le défaut présumé par une inspection. La période de garantie des produits Delta réusinés est de 180 jours. Delta peut demander que les moteurs électriques soient retournés (transport payé d'avance) à un centre de réparation autorisé du fabricant du moteur en vue d'une inspection, d'une réparation ou d'un remplacement. Delta ne peut être tenu pour responsable des défauts résultants de l'usage normale, de la mauvaise utilisation, de l'abus, de la réparation ou de la modification du produit, sauf en cas d'autorisation spécifique d'un centre de réparation ou d'un représentant Delta autorisé. En aucune circonstance Delta ne peut être tenu pour responsable des dommages accidentels ou indirects résultant d'un produit défectueux. Cette garantie constitue la seule garantie de Delta et le recours exclusif des clients en ce qui concerne les produits défectueux ; toutes les autres garanties, expresses ou implicites, de qualité marchande, d'adéquation à un usage particulier, ou autre, sont expressément déclinées par Delta.

ESPAÑOL

INSTRUCCIONES DE SEGURIDAD IMPORTANTES

⚠ ADVERTENCIA Lea y entienda todas advertencias y las instrucciones operadoras antes de utilizar cualquier instrumento o el equipo. Cuando se usa instrumentos o equipo, las precauciones básicas de la seguridad siempre se deben seguir para reducir el riesgo de la herida personal. La operación impropia, la conservación o la modificación de instrumentos o equipo podrían tener como resultado el daño grave de la herida y la propiedad. Hay ciertas aplicaciones para que equipaas con herramienta y el equipo se diseña. La Delta Machinery recomienda totalmente que este producto no sea modificado y/o utilizado para ninguna aplicación de otra manera que para que se diseñó.

Si usted tiene cualquiera pregunta el pariente a su aplicación no utiliza el producto hasta que usted haya escrito Delta Machinery y nosotros lo hemos aconsejado.

La forma en línea del contacto en www.deltamachinery.com

El Correo Postal: Technical Service Manager
Delta Machinery
4825 Highway 45 North
Jackson, TN 38305

(IN CANADA: 125 Mural St. Suite 300, Richmond Hill, ON, L4B 1M4)

Información con respecto a la operación segura y apropiada de este instrumento está disponible de las fuentes siguientes:

Power Tool Institute
1300 Sumner Avenue, Cleveland, OH 44115-2851
www.powertoolinstitute.org

National Safety Council
1121 Spring Lake Drive, Itasca, IL 60143-3201

American National Standards Institute, 25 West 43rd Street, 4 floor, New York, NY 10036 www.ansi.org

ANSI O1.1 Safety Requirements for Woodworking Machines, and the U.S. Department of Labor regulations www.osha.gov

GUARDE ESTAS INSTRUCCIONES!

PAUTAS DE SEGURIDAD/DEFINICIONES

Es importante para usted leer y entender este manual. La información que lo contiene relaciona a proteger SU SEGURIDAD y PREVENIR los PROBLEMAS. Los símbolos debajo de son utilizados para ayudarlo a reconocer esta información.

⚠ PELIGRO Indica una situación de inminente riesgo, la cual, si no es evitada, causará la muerte o lesiones serias.

⚠ ADVERTENCIA Indica una situación potencialmente riesgosa, que si no es evitada, podría resultar en la muerte o lesiones serias.

⚠ PRECAUCIÓN Indica una situación potencialmente peligrosa, la cual, si no es evitada, podría resultar en lesiones menores o moderadas.

PRECAUCIÓN Usado sin el símbolo de seguridad de alerta indica una situa-ción potencialmente riesgosa la que, si no es evitada, podría causar daños en la propiedad.

PROPOSICIÓN DE CALIFORNIA 65

⚠ ADVERTENCIA Algunos tipos de aserrín creados por máquinas eléctricas de lijado, aserrado, amolado, perforado u otras actividades de la construcción, contienen materiales químicos conocidos (en el Estado de California) como causantes de cáncer, defectos de nacimiento u otros daños del aparato reproductivo. Algunos ejemplos de dichos productos químicos son:

- El plomo contenido en algunas pinturas con base de plomo
- Sílice cristalizado proveniente de los ladrillos, el cemento y otros productos de albañilería
- Arsénico y cromo de madera tratada químicamente

Su riesgo por causa de estas exposiciones varía, dependiendo de con cuánta frecuencia realice este tipo de trabajo. Para reducir su exposición a estos agentes químicos: trabaje en un área bien ventilada y trabaje con equipo de seguridad aprobado, use siempre protección facial o respirador **NIOSH/OSHA** aprobados cuando deba utilizar dichas herramientas.

NORMAS GENERALES DE SEGURIDAD

⚠ ADVERTENCIA Si no se siguen estas normas, el resultado podría ser lesiones graves.

- 1. PARA SU PROPIA SEGURIDAD, LEA EL MANUAL DE INSTRUCCIONES ANTES DE UTILIZAR LA MÁQUINA.** Al aprender la aplicación, las limitaciones y los peligros específicos de la máquina, se minimizará enormemente la posibilidad de accidentes y lesiones.
- 2. USE PROTECCIÓN DE LOS OJOS Y DE LA AUDICIÓN. USE SIEMPRE ANTEOJOS DE SEGURIDAD.** Los lentes de uso diario NO son anteojos de seguridad. USE EQUIPO DE SEGURIDAD CERTIFICADO. El equipo de protección de los ojos debe cumplir con las normas ANSI Z87.1. El equipo de protección de la audición debe cumplir con las normas ANSI S3.19.
- 3. USE INDUMENTARIA ADECUADA.** No use ropa holgada, guantes, corbatas, anillos, pulseras u otras joyas que podrían engancharse en las piezas móviles. Se recomienda usar calzado antideslizante. Use una cubierta protectora del pelo para sujetar el pelo largo.
- 4. NO UTILICE LA MÁQUINA EN UN ENTORNO PELIGROSO.** La utilización de herramientas mecánicas en lugares húmedos o mojados, o en la lluvia, puede causar descargas eléctricas o electrocución. Mantenga bien iluminada el área de trabajo para evitar tropezar o poner en peligro los brazos, las manos y los dedos.
- 5. MANTENGA TODAS LAS HERRAMIENTAS Y MÁQUINAS EN CONDICIONES ÓPTIMAS.** Mantenga las herramientas afiladas y limpias para lograr el mejor y más seguro rendimiento. Siga las instrucciones de lubricación y cambio de accesorios. Las herramientas y las máquinas mal mantenidas pueden dañar más la herramienta o la máquina y/o causar lesiones.
- 6. COMPRUEBE SI HAY PIEZAS DAÑADAS.** Antes de utilizar la máquina, compruebe si hay piezas dañadas. Compruebe la alineación de las piezas móviles, si las piezas móviles se atascan, si hay piezas rotas y toda otra situación que podría afectar su funcionamiento. Un protector o cualquier otra pieza que presente daños debe repararse o reemplazarse apropiadamente. Las piezas dañadas pueden causar daños adicionales a la máquina y/o lesiones.
- 7. MANTENGA LIMPIA EL ÁREA DE TRABAJO.** Las áreas y los bancos desordenados invitan a que se produzcan accidentes.
- 8. MANTENGA ALEJADOS A LOS NIÑOS Y A LOS VISITANTES.** El taller es un entorno potencialmente peligroso. Los niños y los visitantes pueden sufrir lesiones.
- 9. REDUZCA EL RIESGO DE UN ARRANQUE NO INTENCIONADO.** Asegúrese de que el interruptor esté en la posición de apagado antes de enchufar el cable de alimentación. En caso de un apagón, mueva el interruptor a la posición de apagado. Un arranque accidental podría causar lesiones.
- 10. UTILICE LOS PROTECTORES.** Asegúrese de que todos los protectores estén colocados en su sitio, sujetos firmemente y funcionando correctamente para prevenir lesiones.
- 11. quite las llaves de ajuste y de tuerca antes de arrancar la máquina.** Las herramientas, los pedazos de desecho y otros residuos pueden salir despedidos a alta velocidad, causando lesiones.
- 12. UTILICE LA MÁQUINA ADECUADA.** No fuerce una máquina o un aditamento a hacer un trabajo para el que no se diseñó. El resultado podría ser daños a la máquina y/o lesiones.
- 13. UTILICE ACCESORIOS RECOMENDADOS.** La utilización de accesorios y aditamentos no recomendados por Delta podría causar daños a la máquina o lesiones al usuario.
- 14. UTILICE EL CORDÓN DE EXTENSIÓN ADECUADO.** Asegúrese de que el cordón de extensión esté en buenas condiciones. Cuando utilice un cordón de extensión, asegúrese de utilizar un cordón que sea lo suficientemente pesado como para llevar la corriente que su producto tome. Un cordón de tamaño insuficiente causará una caída de la tensión de la línea, lo cual producirá una pérdida de potencia y recalentamiento. Consulte el Cuadro de cordones de extensión para obtener el tamaño correcto dependiendo de la longitud del cordón y la capacidad nominal en amperios indicada en la placa de especificaciones. En caso de duda, utilice el próximo calibre más grueso. Cuanto más pequeño sea el número de calibre, más pesado será el cordón.
- 15. SUJETE FIRMEMENTE LA PIEZA DE TRABAJO.** Utilice las abrazaderas o el tornillo cuando usted no puede asegurar el objeto en la tabla y contra la cerca a mano o cuando su mano estará peligroso cerca de la lámina (dentro de 6").
- 16. Haga avanzar la pieza de trabajo contra el sentido de rotación de la hoja, el cortador o la superficie abrasiva.** Si la hace avanzar desde el otro sentido, el resultado será que la pieza de trabajo salga despedida a alta velocidad.
- 17. NO FUERCE LA PIEZA DE TRABAJO SOBRE LA MÁQUINA.** El resultado podría ser daños a la máquina y/o lesiones.
- 18. NO INTENTE ALCANZAR DEMASIADO LEJOS.** Una pérdida del equilibrio puede hacerle caer en una máquina en funcionamiento, causándole lesiones.
- 19. NO SE SUBA NUNCA A LA MÁQUINA.** Se podrían producir lesiones si la herramienta se inclina o si usted hace contacto accidentalmente con la herramienta de corte.
- 20. NO DEJE NUNCA DESATENDIDA LA MÁQUINA CUANDO ESTÉ EN MARCHA. APÁGUELA.** No deje la máquina hasta que ésta se detenga por completo. Un niño o un visitante podría resultar lesionado.
- 21. APAGUE LA MÁQUINA Y DESCONÉCTELA DE LA FUENTE DE ALIMENTACIÓN** antes de instalar o quitar accesorios, antes de ajustar o cambiar configuraciones o al realizar reparaciones. Un arranque accidental puede causar lesiones.
- 22. Haga su taller a prueba de niños con candados e interruptores maestros o quitando las llaves de arranque.** El arranque accidental de una máquina por un niño o un visitante podría causar lesiones.
- 23. MANTÉNGASE ALERTA, FÍJESE EN LO QUE ESTÁ HACIENDO Y USE EL SENTIDO COMÚN. NO UTILICE LA MÁQUINA CUANDO ESTÉ CANSADO O BAJO LA INFLUENCIA DE DROGAS, ALCOHOL O MEDICAMENTOS.** Un momento de distracción mientras se estén utilizando herramientas mecánicas podría causar lesiones.
- 24. ⚠ ADVERTENCIA EL USO DE ESTA HERRAMIENTA PUEDE GENERAR Y DISPERSAR POLVO U OTRAS PARTÍCULAS SUSPENDIDAS EN EL AIRE, INCLUYENDO POLVO DE MADERA, POLVO DE SÍLICE CRISTALINA Y POLVO DE ASBESTO.** Dirija las partículas de modo que se alejen de la cara y del cuerpo. Utilice siempre la herramienta en un área bien ventilada y proporcione un medio apropiado de remoción de polvo. Use un sistema de recolección de polvo en todos los lugares donde sea posible. La exposición al polvo puede causar lesiones respiratorias graves y permanentes u otras lesiones graves y permanentes, incluyendo silicosis (una enfermedad pulmonar grave), cáncer y muerte. Evite aspirar el polvo y evite el contacto prolongado con el polvo. Si se permite que el polvo entre en la boca o en los ojos, o que se deposite en la piel, se puede promover la absorción de material nocivo. Use siempre protección respiratoria aprobada por NIOSH/OSHA que se ajuste apropiadamente y sea adecuada para la exposición al polvo, y lávese las áreas expuestas con agua y jabón.

NORMAS ESPECÍFICAS ADICIONALES DE SEGURIDAD

⚠ ADVERTENCIA EL NO ACATAR ESTAS REGLAS PUEDE TENER COMO RESULTADO GRAVES LESIONES FISICAS

⚠ PELIGRO UTILICE el colector de polvo para recoger materiales de madera solamente. **NO** utilice el colector de polvo para recoger virutas metálicas, polvo metálico o piezas metálicas.

⚠ ADVERTENCIA **NUNCA** utilice el colector de polvo para disipar vapores o humo. **NUNCA** recoja nada que esté ardiendo o desprendiendo humo, como cigarrillos, fósforos o cenizas calientes.

1. **NO UTILICE ESTA MÁQUINA** hasta que esté completamente montada e instalada de acuerdo con las instrucciones.
2. **OBTENGA ASESORAMIENTO** de su supervisor, instructor u otra persona calificada si no está completamente familiarizado con la utilización de esta máquina.
3. **SIGA TODOS LOS CÓDIGOS DE CABLEADO** y las conexiones eléctricas recomendadas.
4. **NO** tire del colector de polvo por el cable de alimentación. **NUNCA** deje que el cable de alimentación entre en contacto con bordes afilados, superficies calientes, aceite o grasa. No ponga nada encima del cable de alimentación.
5. Ponga **SIEMPRE** todos los controles en la posición de apagado antes de desenchufar el colector de polvo. **PARA REDUCIR EL RIESGO DE DESCARGAS ELÉCTRICAS**, no utilice la unidad sobre superficies mojadas. No la exponga a la lluvia. Guárdela en interiores.
6. **NO** utilice la unidad con ninguna abertura bloqueada; manténgala libre de polvo, pelusa, pelo y todo aquello que pueda reducir la circulación de aire.
7. **NO** utilice el colector de polvo para recoger líquidos inflamables o combustibles, como por ejemplo gasolina. **NUNCA** utilice el colector de polvo cerca de líquidos inflamables o combustibles.
8. **NO** introduzca los dedos ni objetos extraños en el orificio de entrada de polvo. Mantenga el pelo, la ropa holgada, los dedos y todas las partes del cuerpo alejados de las aberturas y las piezas móviles del colector de polvo.

9. **NUNCA** utilice el colector de polvo sin la bolsa de recolección de polvo colocada en su sitio y sujeta adecuadamente.
10. **INSPECCIONE PERIÓDICAMENTE** la bolsa para polvo con el fin de comprobar si tiene cortes, roturas o desgarraduras. **NUNCA** utilice el colector de polvo con una bolsa o manguera de aspiración dañada.
11. Utilice **SIEMPRE** la cubierta de la entrada para cubrir el orificio para polvo cuando el colector de polvo no esté en uso o montado en una superficie de soporte para almacenamiento.
12. **NO** deje el colector de polvo enchufado en el tomacorriente eléctrico. Desenchufe el colector de polvo del tomacorriente cuando no se esté utilizando y antes de hacerle servicio, cambiar las bolsas, desatascarlo y limpiarlo.
13. **NUNCA** utilice el colector de polvo con una bolsa o manguera de aspiración dañada. **INSPECCIONE PERIÓDICAMENTE** la bolsa para polvo con el fin de comprobar si tiene cortes, roturas o desgarraduras.
14. **REEMPLACE** inmediatamente un cable de alimentación dañado. **NO** utilice un cable de alimentación o enchufe dañado. Si el colector de polvo no funciona correctamente, o si ha sufrido daños, se ha dejado a la intemperie o ha estado en contacto con agua, llévelo a un Centro de Servicio Autorizado para que le den servicio.
15. **APAGUE LA MÁQUINA Y DESCONÉCTELA** de la fuente de alimentación antes de instalar o quitar accesorios, antes de ajustar o cambiar las preparaciones o al hacer reparaciones.
16. **APAGUE LA MÁQUINA**, desconéctela de la fuente de alimentación y limpie la mesa/área de trabajo antes de dejar la máquina. **BLOQUEE EL INTERRUPTOR EN LA POSICIÓN DE APAGADO** para impedir el uso no autorizado.

GUARDE ESTAS INSTRUCCIONES.

Refiérase a ellas con frecuencia
y utilícelas para adiestrar a otros.

CONEXIONES A LA FUENTE DE ALIMENTACIÓN

Debe utilizarse un circuito eléctrico independiente para las máquinas. Este circuito debe tener alambre de no menos del No. 12 y debe estar protegido con un fusible de acción retardada de 20 A. Si se utiliza un cordón de extensión, utilice únicamente cordones de extensión de tres alambres que tengan enchufes de tipo de conexión a tierra con tres terminales y un receptáculo coincidente que acepte el enchufe de la máquina. Antes de conectar el máquina a la línea de alimentación, asegúrese de que el interruptor(s) esté en la posición de apagado y cerciúrese de que la corriente eléctrica tenga las mismas características que las que estén indicadas en la máquina. Todas las conexiones a la línea de alimentación deben hacer buen contacto. El funcionamiento a bajo voltaje dañará el máquina.

⚠ PELIGRO No exponga la máquina a la lluvia ni la utilice en lugares húmedos.

ESPECIFICACIONES DEL MOTOR

La máquina está cableada para corriente alterna de 120 V, 60 Hz. Antes de conectar la máquina a la fuente de alimentación, asegúrese de que el interruptor esté en la posición de apagado.

INSTRUCCIONES DE CONEXIÓN A TIERRA

⚠ PELIGRO Esta máquina debe estar conectada a tierra mientras se esté utilizando, para proteger al operador contra las descargas eléctricas.

1. Todas las máquinas conectadas con cordón conectadas a tierra:

En caso de mal funcionamiento o avería, la conexión a tierra proporciona una ruta de resistencia mínima para la corriente eléctrica, con el fin de reducir el riesgo de descargas eléctricas. Esta máquina está equipada con un cordón eléctrico que tiene un conductor de conexión a tierra del equipo y un enchufe de conexión a tierra. El enchufe debe enchufarse en un tomacorriente coincidente que esté instalado y conectado a tierra adecuadamente, de acuerdo con todos los códigos y ordenanzas locales.

No modifique el enchufe suministrado. Si el enchufe no cabe en el tomacorriente, haga que un electricista calificado instale el tomacorriente apropiado.

La conexión inapropiada del conductor de conexión a tierra del equipo puede dar como resultado riesgo de descargas eléctricas. El conductor con aislamiento que tiene una superficie exterior de color verde con o sin franjas amarillas es el conductor de conexión a tierra del equipo. Si es necesario reparar o reemplazar el cordón eléctrico o el enchufe, no conecte el conductor de conexión a tierra del equipo a un terminal con corriente.

Consulte a un electricista competente o a personal de servicio calificado si no entiende completamente las instrucciones de conexión a tierra o si tiene dudas en cuanto a si la máquina está conectada a tierra apropiadamente.

Utilice únicamente cordones de extensión de tres alambres que tengan enchufes de tipo de conexión a tierra con tres terminales y receptáculos de tres conductores que acepten el enchufe de la máquina, tal como se muestra en la Fig. A.

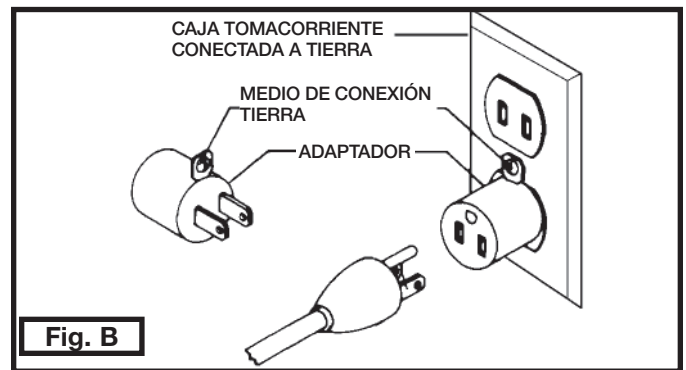
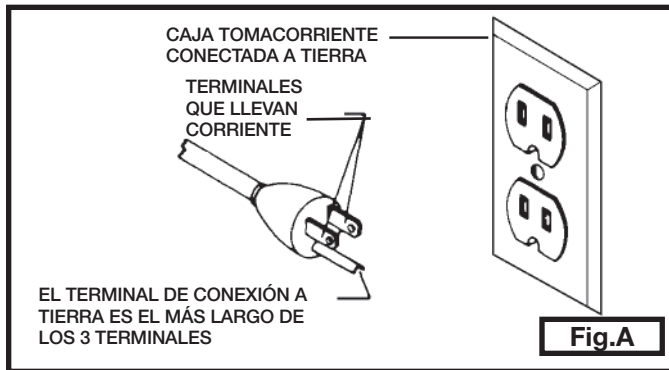
Repáre o reemplace inmediatamente los cordones dañados o desgastados.

2. Máquinas conectadas con cordón conectadas a tierra diseñadas para utilizarse en un circuito de alimentación que tenga una capacidad nominal de menos de 150 V:

Si la máquina está diseñada para utilizarse en un circuito que tenga un tomacorriente parecido al que se ilustra en la Fig. A, la máquina tendrá un enchufe de conexión a tierra que se parece al enchufe ilustrado en la Fig. A. Puede utilizarse un adaptador temporal, que se parece al adaptador ilustrado en la Fig. B, para conectar este enchufe a un receptáculo coincidente de dos conductores, tal como se muestra en la Fig. B, si no se dispone de un tomacorriente conectado a tierra apropiadamente. El adaptador temporal debe utilizarse solamente hasta que un electricista calificado pueda instalar un tomacorriente conectado a tierra apropiadamente. La orejeta, lengüeta, etc., rígida de color verde que sobresale del adaptador debe conectarse a una toma de tierra permanente, como por ejemplo una caja tomacorriente conectada a tierra adecuadamente. Siempre que se utilice un adaptador, debe sujetarse en su sitio con un tornillo de metal.

NOTA: En Canadá, el uso de un adaptador temporal no está permitido por el Código Eléctrico Canadiense.

⚠ PELIGRO En todos los casos, asegúrese de que el receptáculo en cuestión esté conectado a tierra adecuadamente. Si no está seguro, haga que un electricista calificado compruebe el receptáculo.



CORDONES DE EXTENSIÓN

⚠ ADVERTENCIA Utilice cordones de extensión apropiados. Asegúrese de que el cordón de extensión esté en buenas condiciones y de que sea un cordón de extensión de tres alambres que tenga un enchufe de tipo de conexión a tierra con tres terminales y un receptáculo coincidente que acepte el enchufe de la máquina. Cuando utilice un cordón de extensión, asegúrese de emplear un cordón que sea lo suficientemente pesado como para llevar la corriente de la máquina. Un cordón de tamaño insuficiente causará una caída de la tensión de la línea eléctrica que dará como resultado pérdida de potencia y recalentamiento. En la Fig. D1 se muestra el calibre correcto que debe utilizarse dependiendo de la longitud del cordón. En caso de duda, utilice el siguiente calibre más pesado. Cuanto más pequeño sea el número de calibre, más pesado será el cordón.

CORDÓN DE EXTENSIÓN DE CALIBRE MÍNIMO			
TAMAÑOS RECOMENDADOS PARA USO CON MÁQUINAS ELÉCTRICAS ESTACIONARIAS			
Capacidad Nominal En Amperios	Voltios	Longitud Total Del Cordon En Pies	Calibre Del Cordon De Extensión
0-6	120	Hasta 25	18 AWG
0-6	120	25-50	16 AWG
0-6	120	50-100	16 AWG
0-6	120	100-150	14 AWG
6-10	120	Hasta 25	18 AWG
6-10	120	25-50	16 AWG
6-10	120	50-100	14 AWG
6-10	120	100-150	12 AWG
10-12	120	Hasta 25	16 AWG
10-12	120	25-50	16 AWG
10-12	120	50-100	14 AWG
10-12	120	100-150	12 AWG
12-16	120	Hasta 25	14 AWG
12-16	120	25-50	12 AWG
12-16	120	GREATER THAN 50 FEET NOT RECOMMENDED	

Fig. D-1

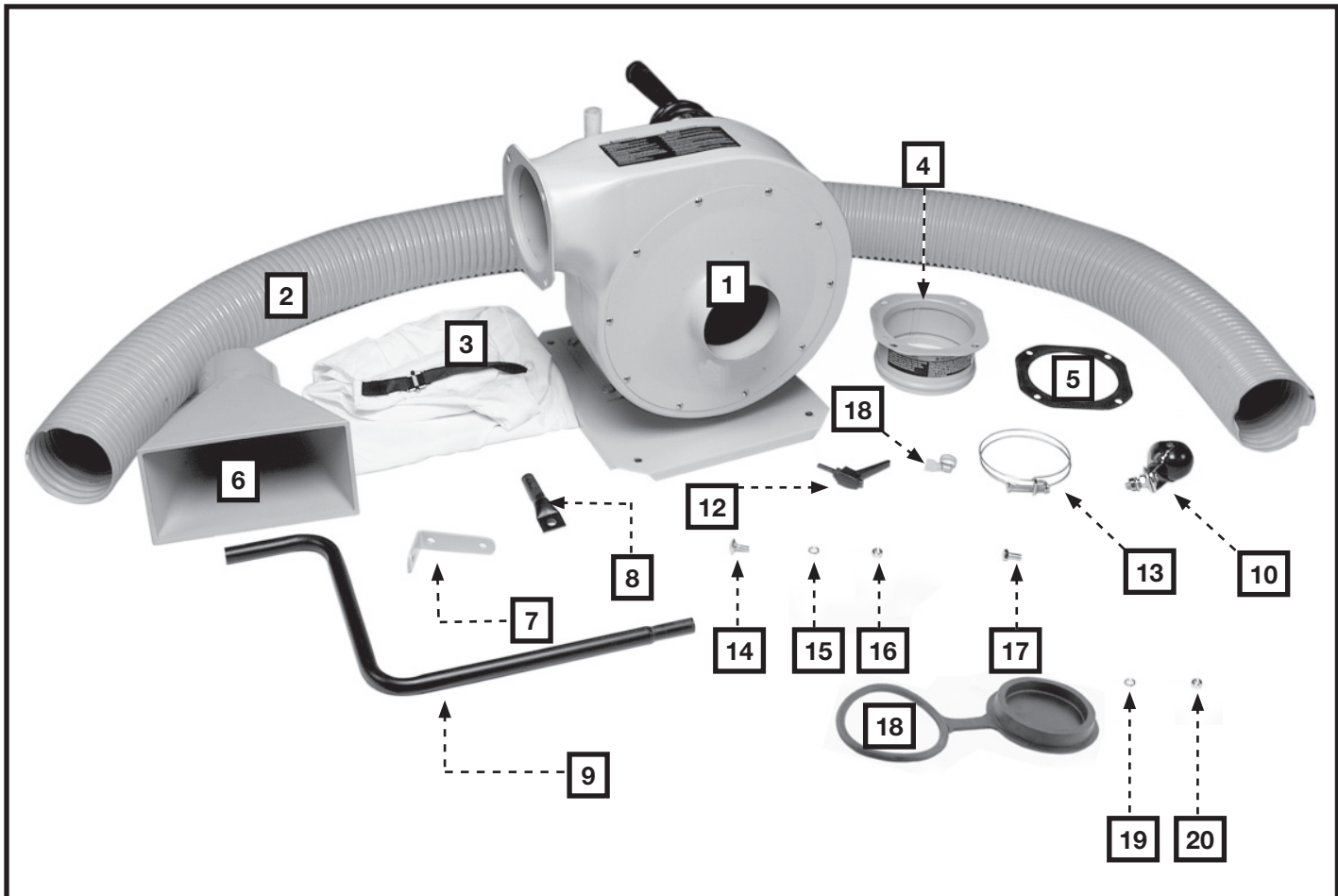
DESCRIPCIÓN FUNCIONAL

PROLOGO

El delta ShopMaster AP300 modelo es solo colector de polvo portable de la etapa.

NOTA: La foto de la cubierta del manual ilustra el modelo de producción actual. Todas las demás ilustraciones son solamente representativas y es posible que no muestren el color, el etiquetado, y los accesorios reales.

CONTENIDO DE CARTON



1. Colector de polvo
2. Manguera
3. Bolsa para polvo
4. Brida de la salida
5. Empaquetadura de la brida de la salida
6. Embudo de entrada
7. Angular del soporte de la entrada
8. Ménsula del soporte superior
9. Soporte del tubo inferior
10. Ruedecillas (4)
11. Abrazaderas del soporte del tubo inferior (2)
12. Palanca de fijación ajustable
13. Abrazaderas de manguera (2)
14. Perno de carruaje de cabeza semiesférica de 5/16-18x5/8" (2)
15. Arandela de seguridad de 5/16"
16. Tuerca hexagonal reborde de 5/16" (6)
17. Tornillo de cabeza hexagonal de 5/16-18x5/8" (4)
18. Tapa de la entrada
19. M8.4 arandela Plana
20. Tuerca hexagonal reborde de 3/8" (4)

DESEMPAQUETADO Y LIMPIEZA

Desempaque cuidadosamente la máquina y todas las piezas sueltas que están en el contenedor o contenedores de transporte. Quite el revestimiento protector de todas las superficies no pintadas. Este revestimiento puede quitarse con un paño suave humedecido con queroseno (no utilice acetona, gasolina ni diluyente de laca para este fin). Después de realizar la limpieza, cubra las superficies no pintadas con una cera en pasta doméstica de buena calidad para pisos.

ENSAMBLAJE

⚠ ADVERTENCIA Para su propia seguridad, no conecte la maquina a la fuente de energia hasta que la maquina haya sido ensamblada por completo y usted haya leído y entendido completamente el manual del propietario.

HERRAMIENTAS DE ENSAMBLAJE REQUERIDAS

1/2" & 9/16" Abierto o la Caja Termina la Llave Inglesa - no proporcionó

1/2" & 9/16" Enchufe y Maneja - no proporcionó

Plano o el Destornillador de Phillips - no proporcionó

ESTIMACIÓN DEL TIEMPO DE ENSAMBLAJE

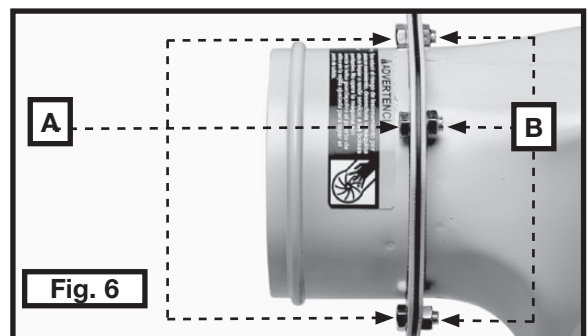
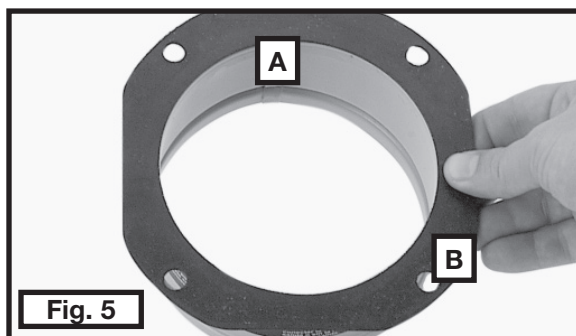
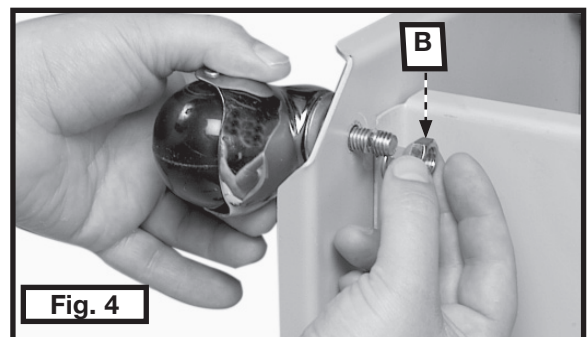
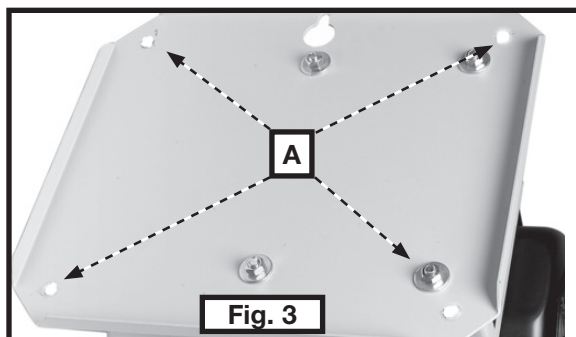
La asamblea para esta máquina toma aproximadamente 1-2 horas.

INSTALAR LAS RUEDECILLAS

1. Coloque el colector de polvo sobre uno de sus lados.
2. Introduzca un perno de ruedecilla a través de los cuatro agujeros (A), Fig. 3, que están en la base del colector de polvo.
3. Enrosque una tuerca hexagonal reborde (B), Fig. 4, en la cabeza de cada uno de los cuatro pernos y apriétela firmemente.

INSTALAR LA BRIDA DE LA SALIDA

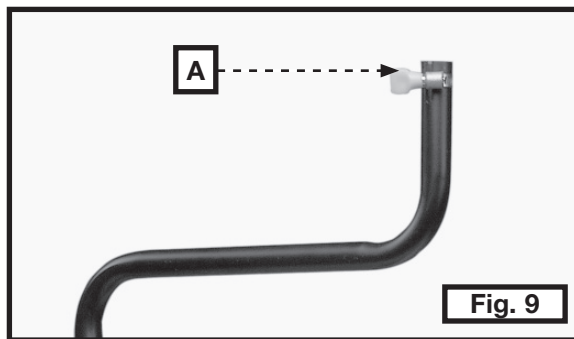
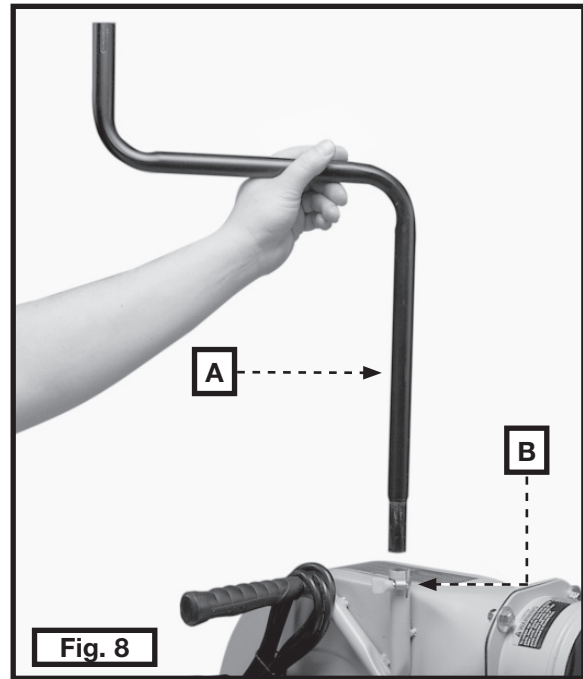
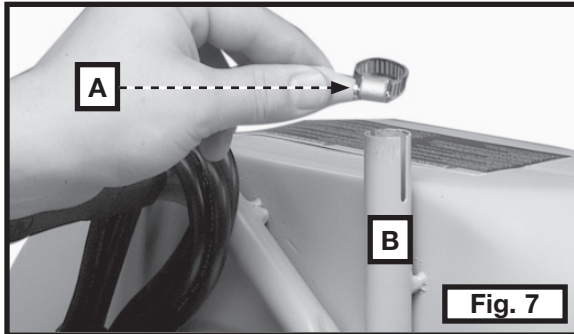
1. Alinee los agujeros de la brida de la salida (A), Fig. 5, con los agujeros que están en la empaquetadura de la brida de la salida (B).
2. Introduzca un perno de cabeza hexagonal de 5/16-18x5/8" a través de la brida de la salida, la empaquetadura de la brida de la salida y la unidad de la base, de la manera que se muestra en la Fig. 6.
3. Enrosque una tuerca hexagonal de 5/16" (B) en el perno de cabeza hexagonal de 5/16-18x5/8" (A), Fig. 6, y apriétela firmemente.
4. Repita este proceso para los tres pernos restantes.



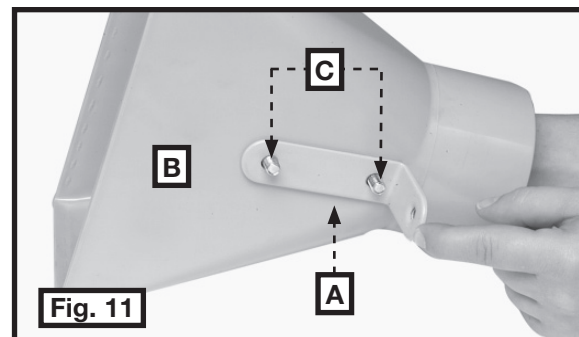
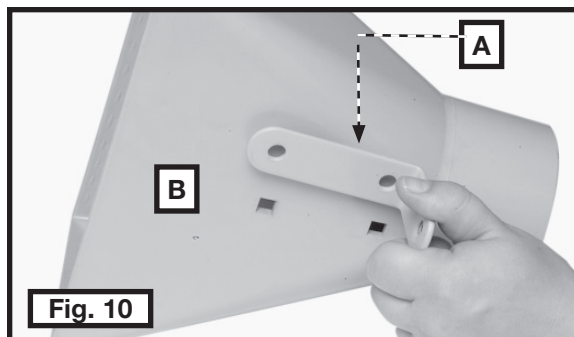
INSTALAR DEL ORIFICIO PARA POLVO Y EL CONECTOR EN EL CUERPO DEL COLECTOR DE POLVO

⚠ ADVERTENCIA ¡Desconecte la Máquina de la Fuente del Poder!

1. Coloque la abrazadera de tubo (A), Fig. 7, sobre el portatubo del soporte inferior (B).
2. Introduzca la ménsula del soporte del tubo (A) en el portasoporte del tubo (B), de la manera que se muestra en la Fig. 8.
3. Coloque una abrazadera de tubo (A) sobre el soporte del tubo inferior, de la manera que se muestra en la Fig. 9.

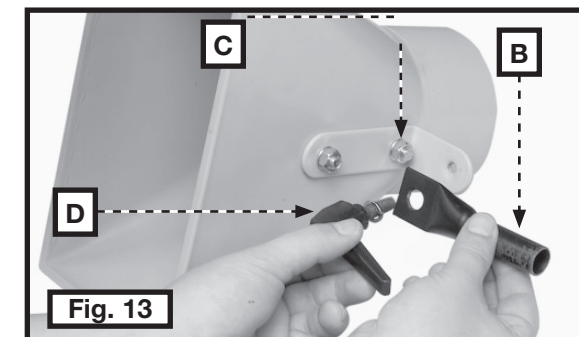
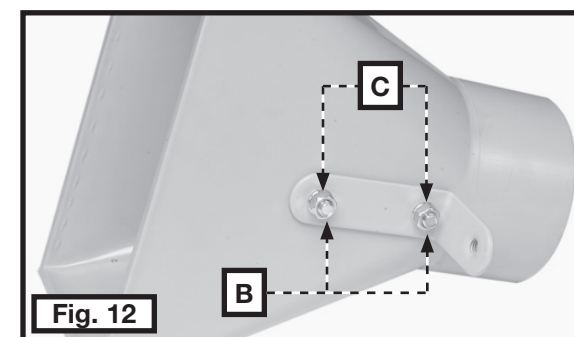


4. Alinee los dos agujeros del anclaje del angular del soporte de la entrada (A), Fig. 10, con los dos agujeros del embudo de entrada (B).
5. Sujete el anclaje del angular del soporte de la entrada al embudo de entrada introduciendo los dos pernos de carruaje de cabeza semiesférica de 5/16-18x5/8" (C) a través del embudo de entrada (B) y el anclaje del angular del soporte de la entrada (A), de la manera que se muestra en la Fig. 11.

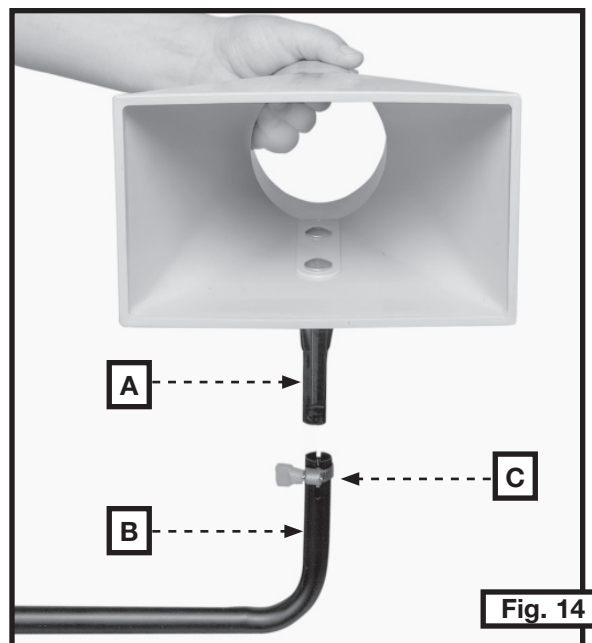


6. Enrosque una tuerca hexagonal reborde de 5/16" (C) Fig. 12 en el perno (B) y apriétela firmemente.
7. Sujete la ménsula del soporte superior (B), Fig. 13, al angular del soporte de la entrada (C) con la palanca de fijación ajustable (D).

NOTA: Coloque una M8.4 arandela plana (E) arandela de seguridad de 5/16 (F), FIG. 13, en el tornillo de la palanca de fijacion antes de realizar la sujecion al angular del soporte de la entrada.



- Coloque el tubo de soporte inferior (B), Fig. 14, sobre el conjunto del embudo de entrada (A) y sujételo con la abrazadera de tubo (C).



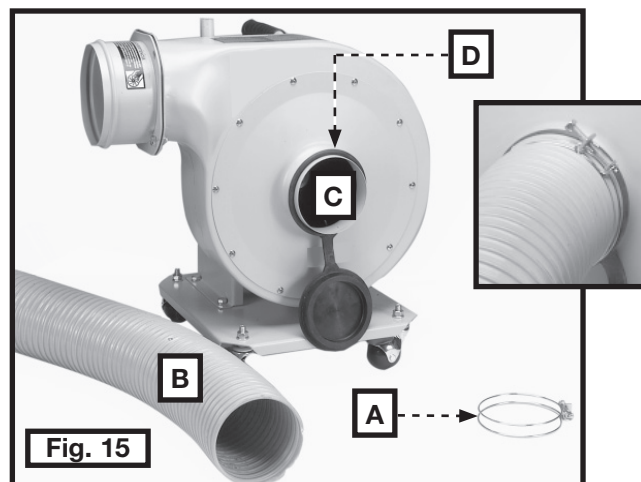
DE UNA MANGUERA DE ASPIRACIÓN EN EL COLECTOR DE POLVO

⚠ ADVERTENCIA ¡Desconecte la Máquina de la Fuente del Poder!

- Coloque el soporte de la tapa de la entrada (D) sobre el colector de polvo de la manera que se muestra en la Fig. 15.

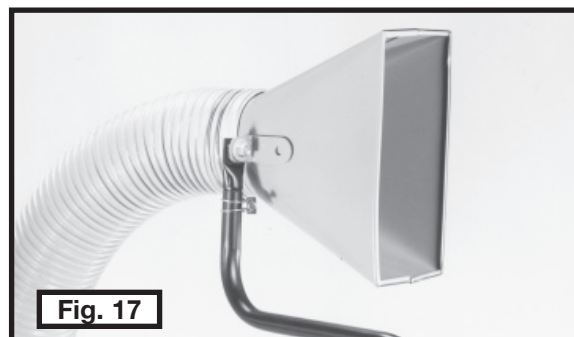
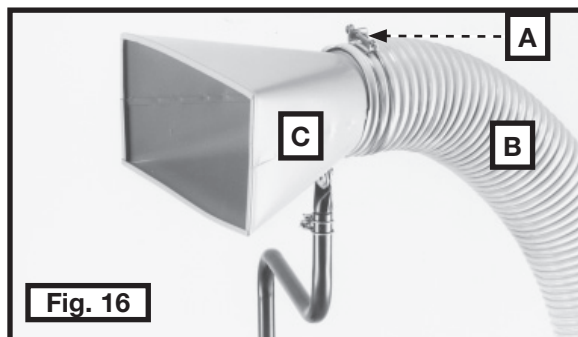
NOTA: No cubra el orificio de entrada con la tapa de la entrada cuando acople la manguera al orificio de entrada.

- Coloque la abrazadera de manguera (A), Fig. 15, en un extremo de la manguera de aspiración (B) y deslice la manguera alrededor del conector (C), de la manera que se muestra en la Fig. 16. Apriete la abrazadera de manguera (A).



- Coloque la abrazadera de manguera restante (A), Fig. 16, alrededor del otro extremo de la manguera de aspiración (B), deslice la manguera (B) sobre el embudo de entrada (C) y apriete la abrazadera de manguera (A).

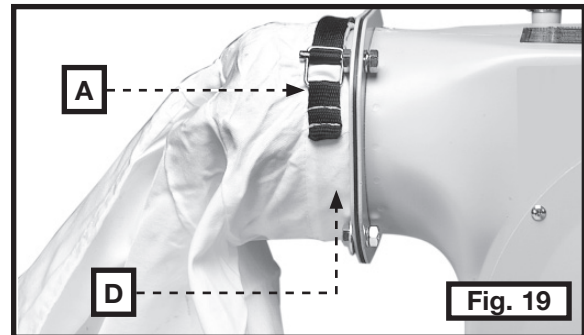
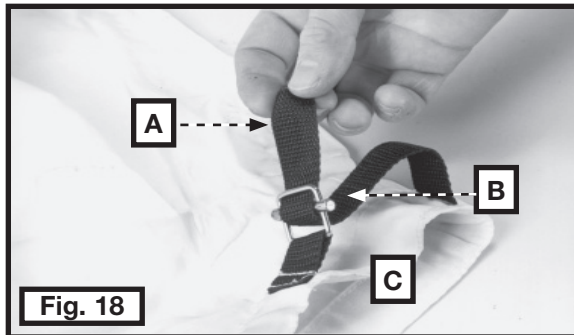
NOTA: Si lo desea, el embudo de entrada (C) puede girarse hasta la posición vertical, de la manera que se muestra en la Fig. 17.



CONECTAR DE LA BOLSA PARA POLVO EN EL COLECTOR DE POLVO

⚠ ADVERTENCIA ¡Desconecte la Máquina de la Fuente del Poder!

Inserte flojamente el extremo de la correa de la bolsa para polvo (A) a través de la abrazadera (B) de la manera que se muestra en la Fig. 18. Coloque el extremo abierto de la bolsa para polvo (C), Fig. 18, sobre la brida de la salida (D), Fig. 19, y tire firmemente de la correa (A) para sujetar la bolsa de recolección de polvo a la brida de la salida.



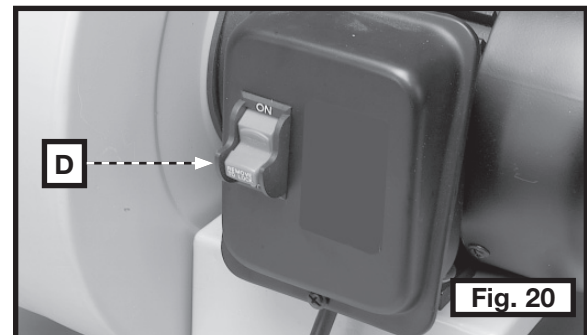
OPERACIÓN

⚠ ADVERTENCIA Antes de utilizar la máquina, para seguridad del operador, asegúrese de que el orificio de entrada de polvo está cubierto con la manguera de aspiración. El ventilador que gira en el interior de la carcasa del soplador es accesible a través del orificio de entrada de polvo y es peligroso. Asegúrese de que la tapa de la entrada cubra el orificio de entrada cuando se haya quitado la manguera. Use siempre indumentaria adecuada. No use alhajas y mantenga los dedos y todos los objetos extraños fuera del orificio de entrada de polvo. Siga siempre las normas de seguridad de este manual.

CONTROLES Y AJUSTES OPERACIONALES

ARRANQUE Y PARADA DEL COLECTOR DE POLVO

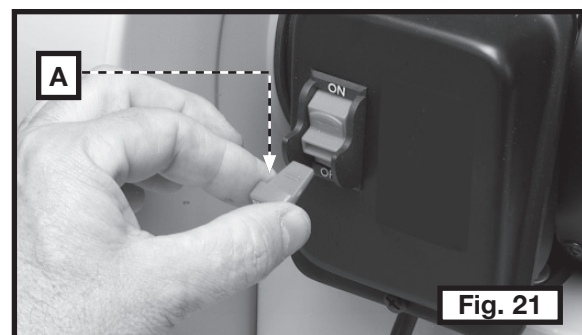
1. El interruptor on/apagado. (A) la Fig. 20 está situada en el frente de la máquina. Para dar vuelta a ON de la máquina, mueva el interruptor hasta la posición de ON.
2. Para dar vuelta a OFF de la máquina, baje el interruptor (a) a la posición de OFF.



⚠ ADVERTENCIA Cerciórese que el interruptor está en el “LEJOS” la posición antes de conectar la cuerda del poder. En caso de un fallo del suministro eléctrico, mueva el interruptor al “LEJOS” la posición. Una compañía nueva accidental puede causar la herida.

FIJACIÓN DEL INTERRUPTOR EN LA POSICIÓN DE APAGADO

IMPORTANTE: Cuando la herramienta no es adentro uso, el interruptor se debe bloquear en el OFF posición para prevenir uso desautorizado. Esto puede hacerse tomando la pieza acodada (B) y removiéndolo por completo del interruptor, tal como se ilustra en la Fig. 21. El interruptor no funcionará sin la pieza acodada (B). No obstante, si se quita la pieza acodada mientras que la sierra está funcionando, ésta puede ser apagada una vez, pero no puede volver a arrancar sin la inserción de la pieza acodada (B).



UTILIZAR LA MAQUINA

Este versátil colector de polvo es liviano y compacto, y puede transportarse fácilmente a diversas ubicaciones para utilizarse dentro y fuera del taller. Este colector de polvo puede utilizarse con muchos tipos distintos de maquinaria de elaboración de la madera.

En la Fig. 26 se ilustra el colector de polvo utilizado en combinación con una fresadora. Observe que el orificio de entrada está ajustado de manera que podrá recolectar el polvo generado al utilizar la fresadora.

En la Fig. 23 se ilustra el colector de polvo utilizado en combinación con una sierra de mesa. Observe que el orificio de entrada se ha quitado del soporte del tubo inferior. El embudo de entrada puede sujetarse con abrazaderas a una herramienta para proporcionar recolección de polvo de la manera que se muestra en la ilustración.

En la Fig. 24 se ilustra el colector de polvo utilizado en combinación con una lijadora de tambor que está equipada con un orificio de remoción de polvo. Se puede quitar el embudo de entrada y conectar el tubo para polvo de 4 pulgadas directamente al orificio de remoción de polvo.

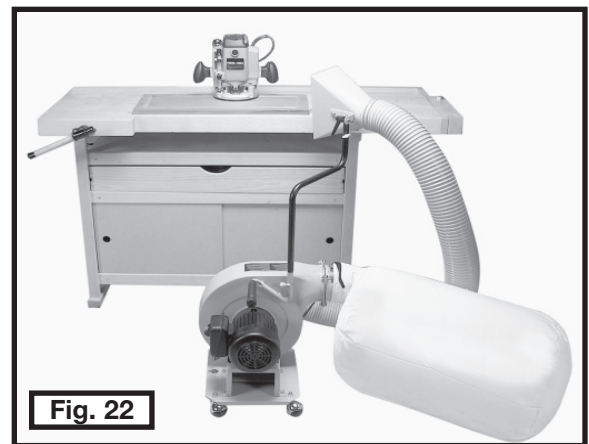


Fig. 22

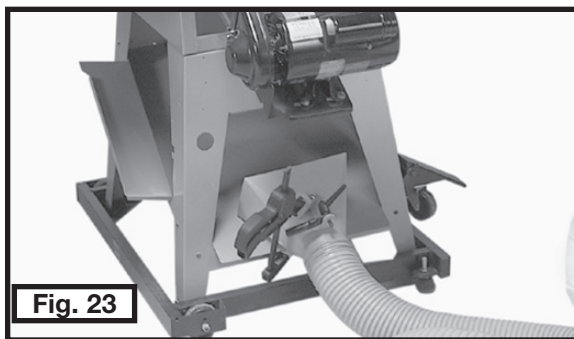


Fig. 23

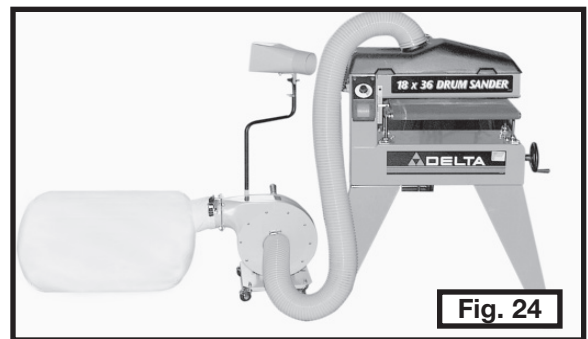


Fig. 24

TRANSPORTE Y ALMACENAMIENTO

1. El colector de polvo cuenta con una práctica asa de transporte con una empuñadura de goma (A), Fig. 25, que permite transportar fácilmente la unidad de un área de trabajo a otra.

IMPORTANTE: El colector de polvo pesa aproximadamente 46 lb. debe tenerse cuidado al levantar y transportar la maquina.

2. Además del asa de transporte, la máquina cuenta con un soporte de montaje de almacenamiento (A), Fig. 26, con un agujero para montar el colector de polvo en una pared o un soporte de madera (cuando no se esté utilizando).

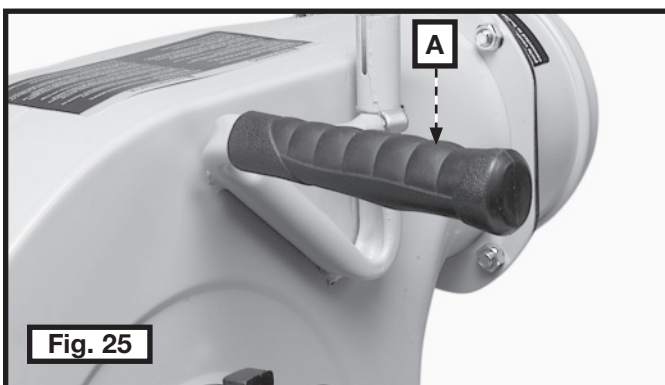


Fig. 25

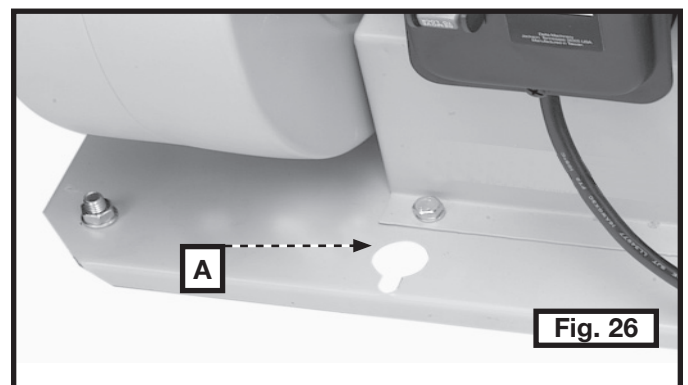


Fig. 26

LOCALIZACION DE FALLAS

Para obtener asistencia para su máquina, visite nuestro sitio Web en www.deltamachinery.com para tener acceso a una lista de centros de servicio o llame a la línea de ayuda de Delta Machinery al 1-800-223-7278. (En Canadá, llame al 1-800-463-3582.)

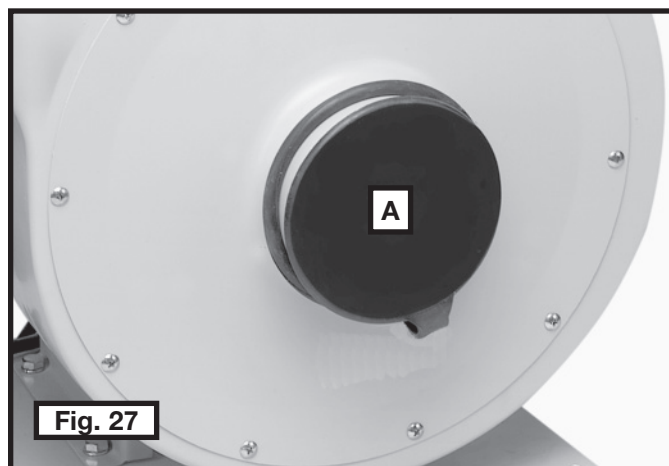
MAINTENANCE

⚠ ADVERTENCIA Desconecte siempre la máquina de la fuente de alimentación antes de realizar cualquier procedimiento de mantenimiento.

El estado de la bolsa para polvo debe comprobarse periódicamente para ver si hay daños, y la bolsa debe vaciarse de forma periódica. No transporte la máquina con una bolsa para polvo llena.

Limpie el impulsor y aplíquelo un lubricante de silicona seco mensualmente para quitar toda la suciedad o acumulación de resina, goma y virutas de madera.

⚠ ADVERTENCIA Asegúrese siempre de que la tapa de la entrada (A), Fig. 37, cubra el orificio de entrada cuando la manguera no esté conectada a la máquina



MANTENGA LA MÁQUINA LIMPIA

Periódicamente sople por todas las entradas de aire con aire comprimido seco. Todas las piezas de plástico deben limpiarse con un paño suave y húmedo. NUNCA utilice solventes para limpiar las piezas de plástico. Podrían derretirse o dañar el material.

⚠ ADVERTENCIA Utilice equipo de seguridad certificado para proteger sus ojos, oídos y vías respiratorias cuando use aire comprimido.

FALLA EN EL ENCENDIDO

Si la máquina no enciende, verifique que las patas del enchufe del cable hagan buen contacto en el tomacorriente. Además, revise que no hayan fusibles quemados o interruptores automáticos de circuito abierto en la línea.

SERVICIO

PIEZAS DE REPUESTO

Utilice sólo piezas de repuesto idénticas. Para obtener una lista de piezas o para solicitar piezas, visite nuestro sitio web en servicenet.deltamachinery.com. También puede solicitar piezas en nuestro centro más cercano, o llamando a nuestro Centro de atención al cliente al 1-800-223-7278 para obtener asistencia personalizada de nuestros técnicos capacitados.

MANTENIMIENTO Y REPARACIONES

Con el paso del tiempo, todas las herramientas de calidad requieren mantenimiento o reemplazo de las piezas. Para obtener información acerca de Delta Machinery, sus sucursales propias o un Centro de mantenimiento con garantía autorizado, visite nuestro sitio web en www.deltamachinery.com o llame a nuestro Centro de atención al cliente al 1-800-223-7278. Todas las reparaciones realizadas por nuestros centros de mantenimiento están completamente garantizadas en relación con los materiales defectuosos y la mano de obra. No podemos otorgar garantías en relación con las reparaciones ni los intentos de reparación de otras personas.

También puede escribirnos solicitando información a Delta Machinery, 4825 Highway 45 North, Jackson, Tennessee 38305 - Mantenimiento de productos. Asegúrese de incluir toda la información mencionada en la placa de la herramienta (número de modelo, tipo, número de serie, etc.)

ACCESORIOS

Una línea completa de accesorios está disponible de su surtidor de Porter-Cable • Delta, centros de servicio de la fábrica de Porter-Cable • Delta, y estaciones autorizadas delta. Visite por favor nuestro Web site www.deltamachinery.com para un catálogo o para el nombre de su surtidor más cercano.

⚠ ADVERTENCIA Puesto que los accesorios con excepción de éstos ofrecidos por Delta no se han probado con este producto, el uso de tales accesorios podría ser peligroso. Para la operación más segura, solamente el delta recomendó los accesorios se debe utilizar con este producto.

GARANTIA

Para registrar la herramienta para obtener el mantenimiento cubierto por la garantía de la herramienta, visite nuestro sitio web en www.deltamachinery.com.

Garantía limitada de dos años para productos nuevos

Delta reparará o reemplazará, a expensas y opción propias, cualquier máquina nueva, pieza de máquina nueva o accesorio de máquina nuevo Delta que durante el uso normal haya presentado defectos de fabricación o de material, siempre que el cliente devuelva el producto con el transporte prepago a un centro de servicio de fábrica Delta o una estación de servicio autorizado Delta, con un comprobante de compra del producto, dentro del plazo de dos años y dé a Delta una oportunidad razonable de verificar el supuesto defecto mediante la realización de una inspección. Para todos los productos Delta reacondicionados, el período de garantía es de 180 días. Delta podrá requerir que los motores eléctricos sean devueltos con el transporte prepago a una estación autorizada de un fabricante de motores para ser sometidos a inspección y reparación o para ser reemplazados. Delta no será responsable de ningún defecto alegado que haya resultado del desgaste normal, uso indebido, abuso o reparación o alteración realizada o autorizada específicamente por alguien que no sea un centro de servicio autorizado Delta o un representante autorizado Delta. Delta no será responsable en ninguna circunstancia de los daños incidentales o emergentes que se produzcan como resultado de productos defectuosos. Esta garantía es la única garantía de Delta y establece el recurso exclusivo del cliente en lo que respecta a los productos defectuosos; Delta rechaza expresamente todas las demás garantías, expresas o implícitas, tanto de comerciabilidad como de idoneidad para un propósito o de cualquier otro tipo.

The following are trademarks of PORTER-CABLE • DELTA (Las siguientes son marcas registradas de PORTER-CABLE • DELTA S.A.) (Les marques suivantes sont des marques de fabricant de la PORTER-CABLE • DELTA): Auto-Set[®], BAMMER[®], B.O.S.S.[®], Builder's Saw[®], Contractor's Saw[®], Contractor's Saw II[™], Delta[®], DELTACRAFT[®], DELTAGRAM[™], Delta Series 2000[™], DURATRONIC[™], Emc^{2™}, FLEX[®], Flying Chips[™], FRAME SAW[®], Grip Vac[™], Homecraft[®], Jet-Lock[®], JETSTREAM[®], Kickstand[®], LASERLOC[®], MICRO-SET[®], Micro-Set[®], MIDI LATHE[®], MORTEN[™], NETWORK[™], OMNIJIG[®], POCKET CUTTER[®], PORTA-BAND[®], PORTA-PLANE[®], PORTER-CABLE[®]&(design), PORTER-CABLE[®]PROFESSIONAL POWER TOOLS, PORTER-CABLE REDEFINING PERFORMANCE[™], Posi-Matic[®], Q-3[®]&(design), QUICKSAND[®]&(design), QUICKSET[™], QUICKSET II[®], QUICKSET PLUS[™], RIPTIDE[™]&(design), SAFE GUARD II[®], SAFE-LOC[®], Sanding Center[®], SANDTRAP[®]&(design), SAW BOSS[®], Sawbuck[™], Sidekick[®], SPEED-BLOC[®], SPEEDMATIC[®], SPEEDTRONIC[®], STAIR EASE[®], The American Woodshop[®]&(design), The Lumber Company[®]&(design), THE PROFESSIONAL EDGE[®], THE PROFESSIONAL SELECT[®], THIN-LINE[™], TIGER[®], TIGER CUB[®], TIGER SAW[®], TORQBUSTER[®], TORQ-BUSTER[®], TRU-MATCH[™], TWIN-LITE[®], UNIGUARD[®], Unifence[®], UNIFEEDER[™], Unihead[®], Uniplane[™], Unirip[®], Unisaw[®], Univise[®], Versa-Feeder[®], VERSA-PLANE[®], WHISPER SERIES[®], WOODWORKER'S CHOICE[™].

Trademarks noted with [™] and [®] are registered in the United States Patent and Trademark Office and may also be registered in other countries. Las Marcas Registradas con el signo de [™] y [®] son registradas por la Oficina de Registros y Patentes de los Estados Unidos y también pueden estar registradas en otros países. Marques déposées, indiquées par la lettre [™] et [®], sont déposées au Bureau des brevets d'invention et marques déposées aux Etats-Unis et pourraient être déposées aux autres pays.



Delta Machinery
4825 Highway 45 North
Jackson, TN 38305
www.deltamachinery.com

Free Manuals Download Website

<http://myh66.com>

<http://usermanuals.us>

<http://www.somanuals.com>

<http://www.4manuals.cc>

<http://www.manual-lib.com>

<http://www.404manual.com>

<http://www.luxmanual.com>

<http://aubethermostatmanual.com>

Golf course search by state

<http://golfingnear.com>

Email search by domain

<http://emailbydomain.com>

Auto manuals search

<http://auto.somanuals.com>

TV manuals search

<http://tv.somanuals.com>