

Portable Single-Stage Dust Collector

(Model 50-770)



PART NO. 902117 (015)
Copyright © 2001 Delta Machinery



DELTA

To learn more about DELTA MACHINERY
visit our website at: www.deltamachinery.com.

For Parts, Service, Warranty or other Assistance,

please call 1-800-223-7278 (In Canada call 1-800-463-3582).

ESPAÑOL: PÁGINA 15

GENERAL SAFETY RULES

Woodworking can be dangerous if safe and proper operating procedures are not followed. As with all machinery, there are certain hazards involved with the operation of the product. Using the machine with respect and caution will considerably lessen the possibility of personal injury. However, if normal safety precautions are overlooked or ignored, personal injury to the operator may result. Safety equipment such as guards, push sticks, hold-downs, featherboards, goggles, dust masks and hearing protection can reduce your potential for injury. But even the best guard won't make up for poor judgment, carelessness or inattention. Always use common sense and exercise caution in the workshop. If a procedure feels dangerous, don't try it. Figure out an alternative procedure that feels safer. **REMEMBER:** Your personal safety is your responsibility.

This machine was designed for certain applications only. Delta Machinery strongly recommends that this machine not be modified and/or used for any application other than that for which it was designed. If you have any questions relative to a particular application, **DO NOT** use the machine until you have first contacted Delta to determine if it can or should be performed on the product.

Technical Service Manager

Delta Machinery
4825 Highway 45 North
Jackson, TN 38305

(IN CANADA: 505 SOUTHGATE DRIVE, GUELPH, ONTARIO N1H 6M7)



WARNING: FAILURE TO FOLLOW THESE RULES MAY RESULT IN SERIOUS PERSONAL INJURY

1. **FOR YOUR OWN SAFETY, READ INSTRUCTION MANUAL BEFORE OPERATING THE TOOL.** Learn the tool's application and limitations as well as the specific hazards peculiar to it.

2. **KEEP GUARDS IN PLACE** and in working order.

3. **ALWAYS WEAR EYE PROTECTION.** Wear safety glasses. Everyday eyeglasses only have impact resistant lenses; they are not safety glasses. Also use face or dust mask if cutting operation is dusty. These safety glasses must conform to ANSI Z87.1 requirements. Note: Approved glasses have Z87 printed or stamped on them.

4. **REMOVE ADJUSTING KEYS AND WRENCHES.** Form habit of checking to see that keys and adjusting wrenches are removed from tool before turning it "on".

5. **KEEP WORK AREA CLEAN.** Cluttered areas and benches invite accidents.

6. **DON'T USE IN DANGEROUS ENVIRONMENT.** Don't use power tools in damp or wet locations, or expose them to rain. Keep work area well-lighted.

7. **KEEP CHILDREN AND VISITORS AWAY.** All children and visitors should be kept a safe distance from work area.

8. **MAKE WORKSHOP CHILDPROOF** – with padlocks, master switches, or by removing starter keys.

9. **DON'T FORCE TOOL.** It will do the job better and be safer at the rate for which it was designed.

10. **USE RIGHT TOOL.** Don't force tool or attachment to do a job for which it was not designed.

11. **WEAR PROPER APPAREL.** No loose clothing, gloves, neckties, rings, bracelets, or other jewelry to get caught in moving parts. Non-slip footwear is recommended. Wear protective hair covering to contain long hair.

12. **SECURE WORK.** Use clamps or a vise to hold work when practical. It's safer than using your hand and frees both hands to operate tool.

13. **DON'T OVERREACH.** Keep proper footing and balance at all times.

14. **MAINTAIN TOOLS IN TOP CONDITION.** Keep tools sharp and clean for best and safest performance. Follow instructions for lubricating and changing accessories.

15. **DISCONNECT TOOLS** before servicing and when changing accessories such as blades, bits, cutters, etc.

16. **USE RECOMMENDED ACCESSORIES.** The use of accessories and attachments not recommended by Delta may cause hazards or risk of injury to persons.

17. **REDUCE THE RISK OF UNINTENTIONAL STARTING.** Make sure switch is in "OFF" position before plugging in power cord. In the event of a power failure, move switch to the "OFF" position.

18. **NEVER STAND ON TOOL.** Serious injury could occur if the tool is tipped or if the cutting tool is accidentally contacted.

19. **CHECK DAMAGED PARTS.** Before further use of the tool, a guard or other part that is damaged should be carefully checked to ensure that it will operate properly and perform its intended function – check for alignment of moving parts, binding of moving parts, breakage of parts, mounting, and any other conditions that may affect its operation. A guard or other part that is damaged should be properly repaired or replaced.

20. **DIRECTION OF FEED.** Feed work into a blade or cutter against the direction of rotation of the blade or cutter only.

21. **NEVER LEAVE TOOL RUNNING UNATTENDED. TURN POWER OFF.** Don't leave tool until it comes to a complete stop.

22. **STAY ALERT, WATCH WHAT YOU ARE DOING, AND USE COMMON SENSE WHEN OPERATING A POWER TOOL. DO NOT USE TOOL WHILE TIRED OR UNDER THE INFLUENCE OF DRUGS, ALCOHOL, OR MEDICATION.** A moment of inattention while operating power tools may result in serious personal injury.


23. **MAKE SURE TOOL IS DISCONNECTED FROM POWER SUPPLY** while motor is being mounted, connected or reconnected.


24. **THE DUST GENERATED** by certain woods and wood products can be injurious to your health. Always operate machinery in well ventilated areas and provide for proper dust removal. Use wood dust collection systems whenever possible.

SAVE THESE INSTRUCTIONS.

Refer to them often and use them to instruct others.

IMPORTANT SAFETY RULES FOR DUST COLLECTORS

 **WARNING:** Basic precautions should always be followed when using your dust collector. To reduce the risk of injury, electrical shock or fire, comply with the safety rules listed below:

1. **DO NOT** leave the dust collector plugged into the electrical outlet. Unplug dust collector from the outlet when not in use and before servicing, changing bags, unclogging and cleaning.
2. **ALWAYS** turn all controls “OFF” before unplugging the dust collector.
3.  **WARNING: TO REDUCE THE RISK OF ELECTRICAL SHOCK**, do not use on wet surfaces. Do not expose to rain. Store indoors.
4. **FOLLOW** all electrical and safety codes, including the National Electric Code (NEC) and the Occupational Safety and Health Regulations (OSHA). All electrical connections and wiring should be made by qualified personnel only.
5. **DO NOT** use the dust collector to pick up flammable or combustible liquids, such as gasoline. **NEVER** use the dust collector near any flammable or combustible liquids.
6. **USE** the dust collector to pick up wood materials only. **DO NOT** use the dust collector to pick up metal shavings, metal dust, or metal parts.
7. **NEVER** use the dust collector to dissipate fumes or smoke. **NEVER** pick up anything that is burning or smoking, such as cigarettes, matches or hot ashes.
8. **DO NOT** pull the dust collector by the power cord. **NEVER** allow the power cord to come in contact with sharp edges, hot surfaces, oil or grease. Do not place anything over the top of the power cord.
9. **DO NOT** unplug the dust collector by pulling on the power cord. **ALWAYS** grasp the plug, not the cord.
10. **DO NOT** handle the plug or dust collector with wet hands.
11. **REPLACE** a damaged cord immediately. **DO NOT** use a damaged cord or plug. If the dust collector is not operating properly, or has been damaged, left outdoors or has been in contact with water, take it to an Authorized Service Center for service.
12. **DO NOT** use the dust collector as a toy. **DO NOT** use near or around children.
13. **DO NOT** insert fingers or foreign objects into the dust intake port. Keep hair, loose clothing, fingers, and all body parts away from openings and moving parts of the dust collector.
14. **DO NOT** use with any opening blocked; keep openings free of dust, lint, hair, and anything that may reduce air flow.
15. **NEVER** use the dust collector without the dust collection bag in place and properly secured.
16. **ALWAYS** use intake cover to cover dust port when the dust collector is not in use or mounted to a supporting surface for storage.
17. **PERIODICALLY INSPECT** dust bag for any cuts, rips or tears. **NEVER** operate the dust collector with a damaged bag or vacuum hose.
18. The dust collector is designed for home use or light commercial duty **ONLY!**
19. **CONNECT** dust collector to a properly grounded outlet only. See grounding instructions.
20. **USE EXTRA CARE** when cleaning on stairs.

UNPACKING AND CLEANING

Carefully unpack the tool and all loose items from the shipping container(s). Remove the protective coating from all unpainted surfaces. This coating may be removed with a soft cloth moistened with kerosene (do not use acetone, gasoline or lacquer thinner for this purpose). After cleaning, cover the unpainted surfaces with a good quality household floor paste wax.

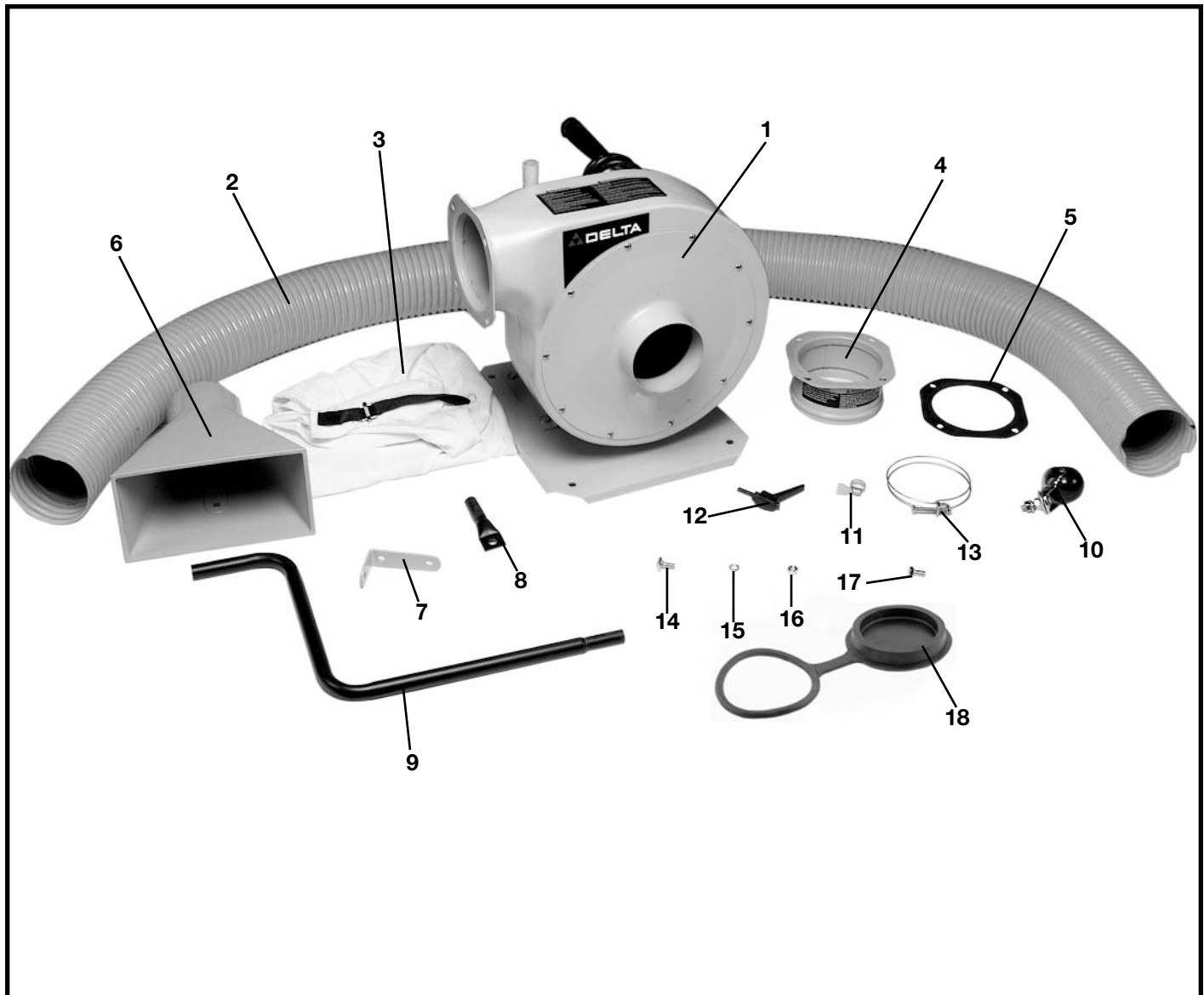


Fig. 2

1. Dust collector
2. Hose
3. Dust bag
4. Outtake flange
5. Outtake flange gasket
6. Intake funnel
7. Intake support angle brace
8. Upper support bracket
9. Lower tube support
10. Wheel casters (4)
11. Lower tube support clamps (2)
12. Adjustable locking lever
13. Hose clamps (2)
14. 5/16-18x5/8" Button head carriage bolt (2)
15. 5/16" lockwasher (3)
16. 5/16" Hex nut (6)
17. 5/16-18x5/8" Hex head screw (4)
18. Intake cap

ASSEMBLY

ASSEMBLING WHEEL CASTERS

1. Remove the hex nut and lockwasher from each of the four wheel casters.
2. Place the dust collector on its side.
2. Insert bolt from wheel caster through the four holes (A) Fig. 3 in the base of the dust collector.
3. Place a lockwasher (A) Fig. 4 onto each bolt.
4. Thread hex nut (B) Fig. 4 onto each of the four bolt heads and tighten securely.

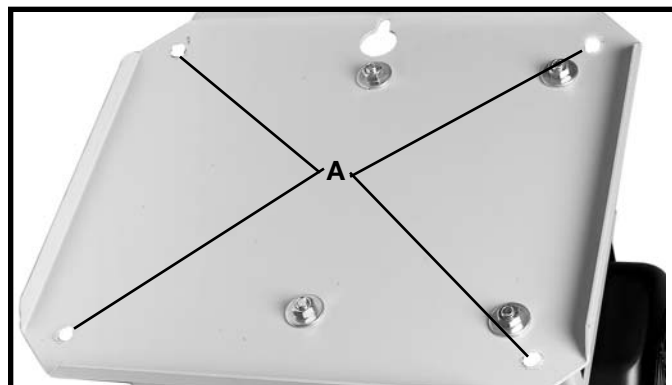


Fig. 3

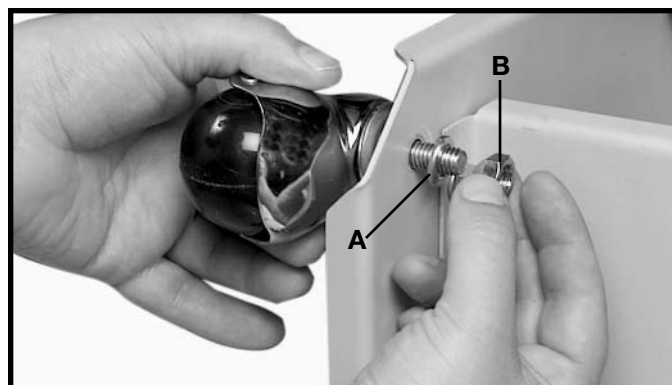


Fig. 4

ASSEMBLING OUTTAKE FLANGE

1. Align the holes in the outtake flange (A) Fig. 5 with the holes in the outtake flange gasket (B).
2. Insert a 5/16-18x5/8" hex head bolt thru the outtake flange, outtake flange gasket and the base unit as shown in Fig. 6.
3. Thread a 5/16" hex nut (B) onto the 5/16-18x5/8" hex head bolt (A) Fig. 6 and tighten securely.
4. Repeat this process for the three remaining bolts.

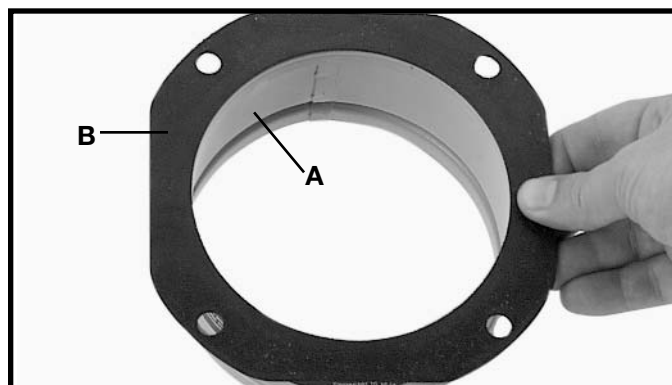


Fig. 5

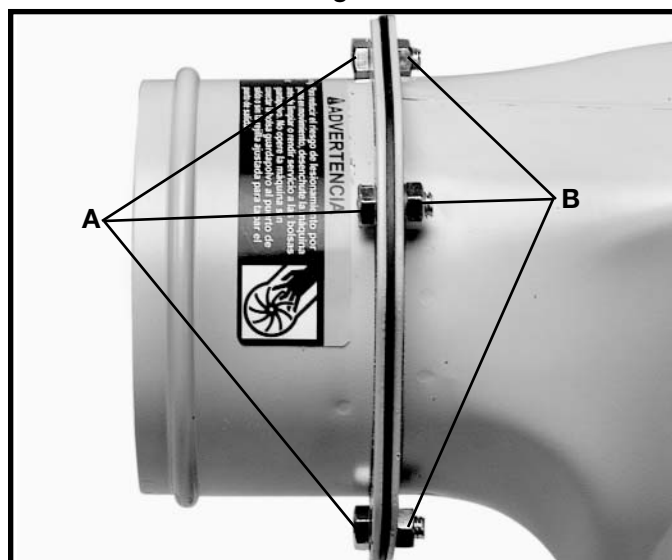


Fig. 6

ASSEMBLING DUSTPORT TUBE AND CONNECTOR TO DUST COLLECTOR BODY

1. Place tube clamp (A) Fig. 7 on the lower support tube holder (B).

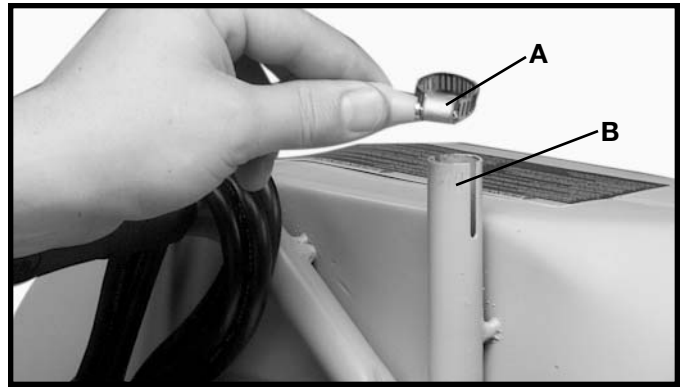


Fig. 7

2. Insert the tube support bracket (A) into the tube support holder (B) as shown in Fig. 8.

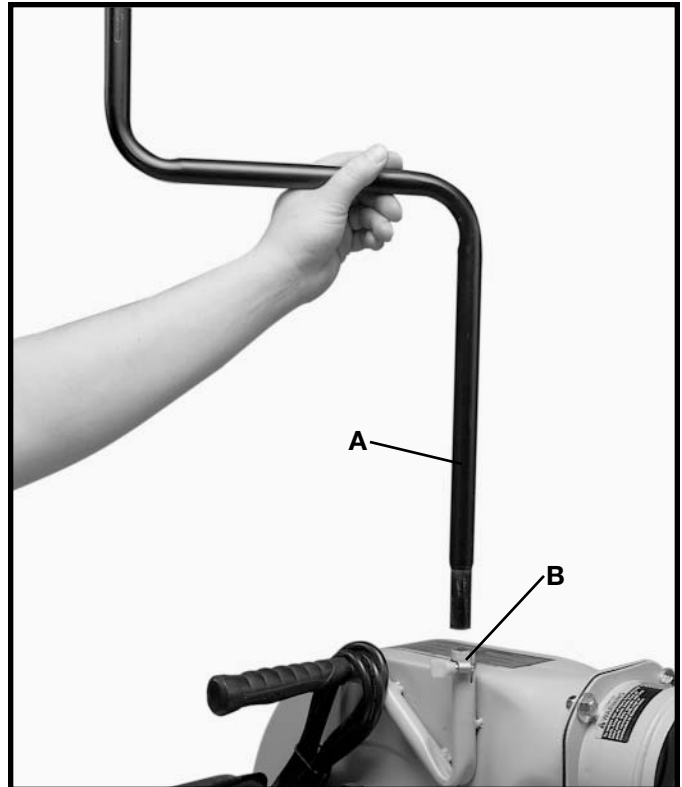


Fig. 8

3. Place a tube clamp (A) onto the lower tube support as shown in Fig. 9.

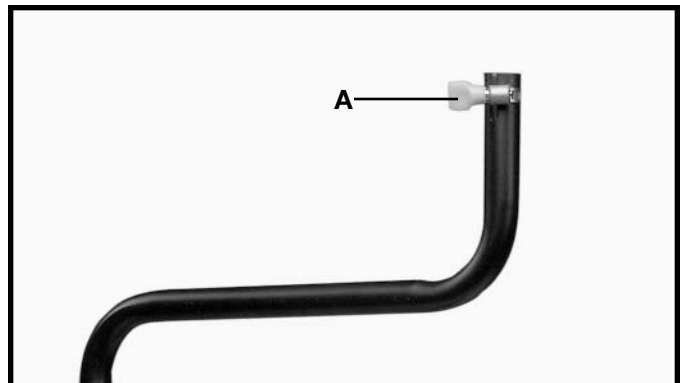


Fig. 9

4. Align the two holes in the intake support angle brace (A) Fig. 10 with the two holes in the intake funnel (B).

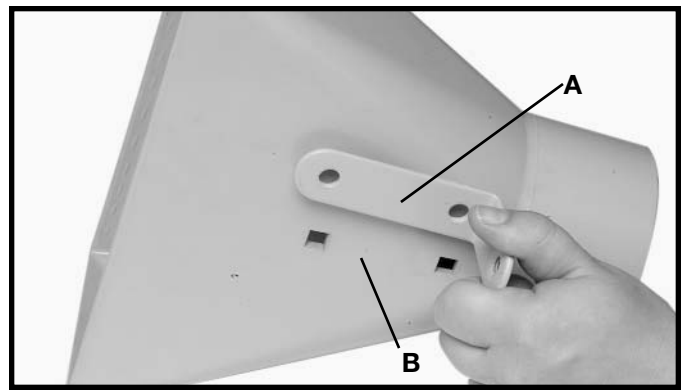


Fig. 10

5. Fasten the intake support angle brace to the intake funnel by inserting the two 5/16-18x5/8" button head carriage bolts (C) thru the intake funnel (B) and the intake support angle brace (A) as shown in Fig. 11.

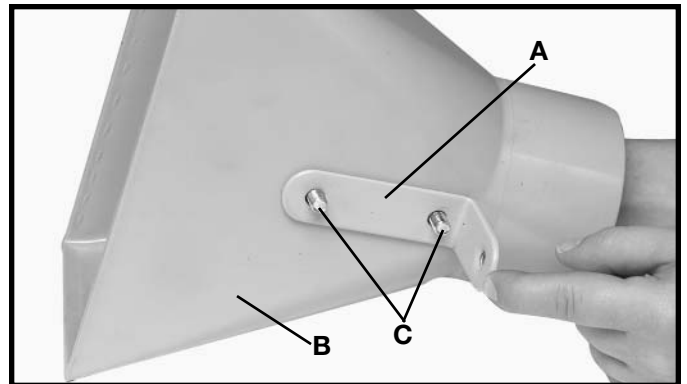


Fig. 11

6. Place a 5/16" lockwasher (A) Fig. 12, onto the bolt (B), and thread a 5/16" hex nut (C) onto the bolt (B) and tighten securely.

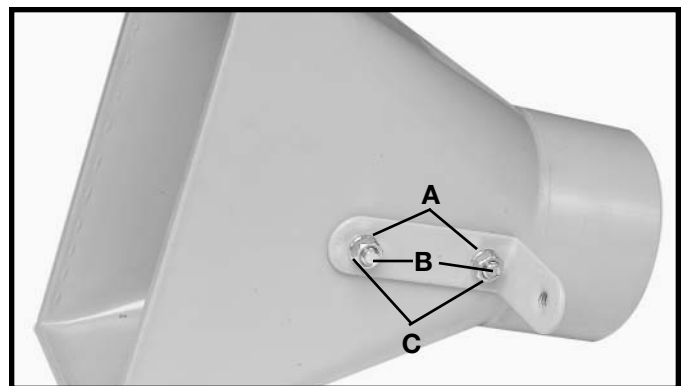


Fig. 12

7. Attach the upper support bracket (B) Fig. 13 to the intake support angle brace (C) with the adjustable locking lever (D). **NOTE: PLACE A 5/16" LOCKWASHER (E) FIG. 13, ONTO LOCKING LEVER SCREW BEFORE ATTACHING TO THE INTAKE SUPPORT ANGLE BRACE.**

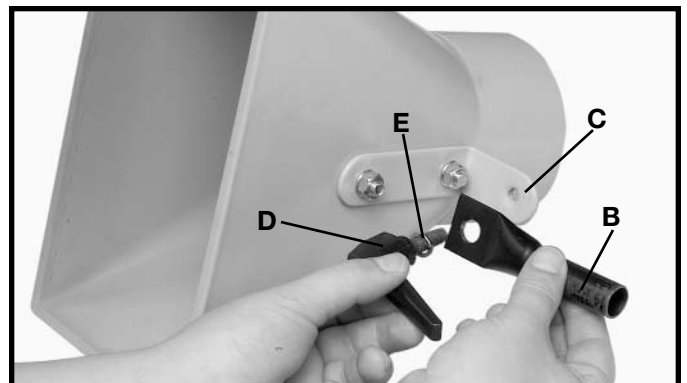


Fig. 13

8. Place lower support tube (B) Fig. 14, onto intake funnel assembly (A) and secure with tube clamp (C).

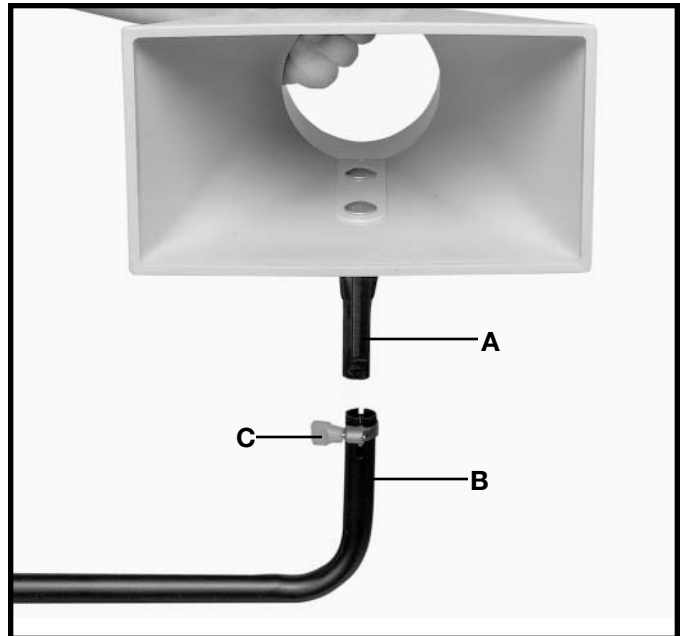


Fig. 14

ASSEMBLING VACUUM HOSE TO DUST COLLECTOR

1. Place the intake cap holder (D) on the dust collector as shown in Fig. 15. **NOTE: DO NOT COVER THE INTAKE PORT WITH THE INTAKE CAP WHEN ATTACHING THE HOSE TO THE INTAKE PORT.**

2. Place hose clamp (A) Fig. 15, onto one end of vacuum hose (B) and slide hose around intake port (C) as shown in Fig. 16. Tighten hose clamp (A).

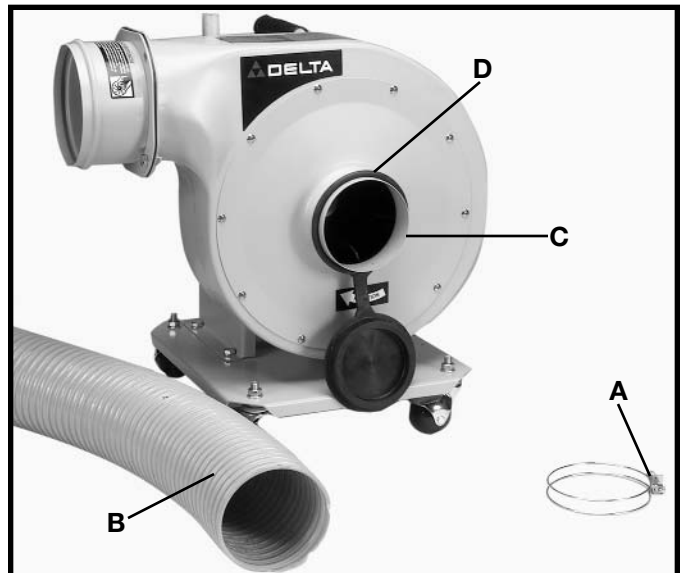


Fig. 15

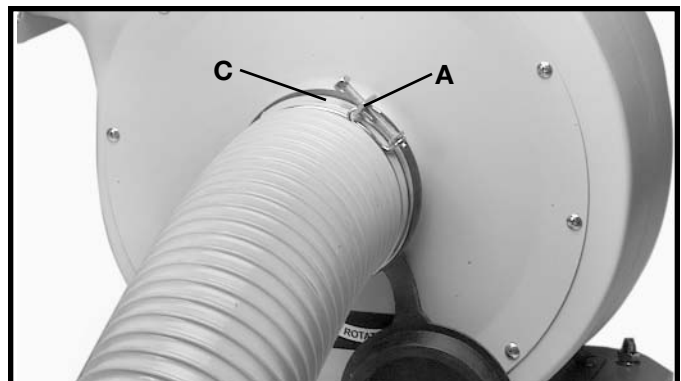


Fig. 16

3. Place the remaining hose clamp (A) Fig. 17, around the other end of vacuum hose (B) and slide hose (B) onto intake funnel (C) and tighten hose clamp (A). **NOTE:** If desired, intake funnel (C) can be rotated to the vertical position, as shown in Fig. 18.

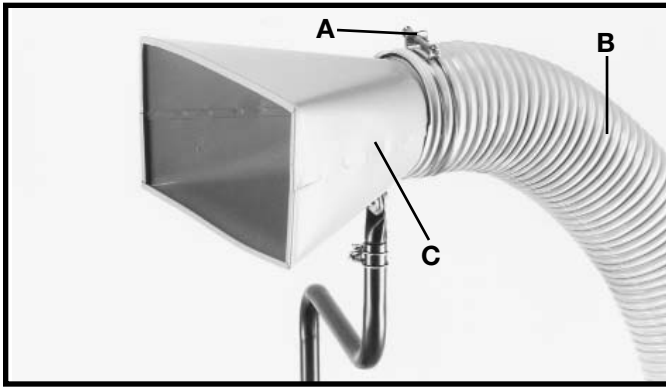


Fig. 17

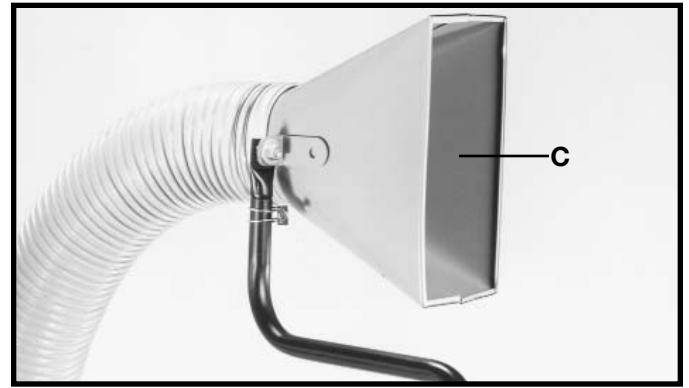


Fig. 18

ASSEMBLING DUST BAG TO DUST COLLECTOR

Loosely thread end of dust bag strap (A) through clamp (B) as shown in Fig. 19. Place open end of dust bag (C) Fig. 19, over outlet flange (D) Fig. 20 and firmly pull strap (A) to fasten dust collection bag to outlet flange.

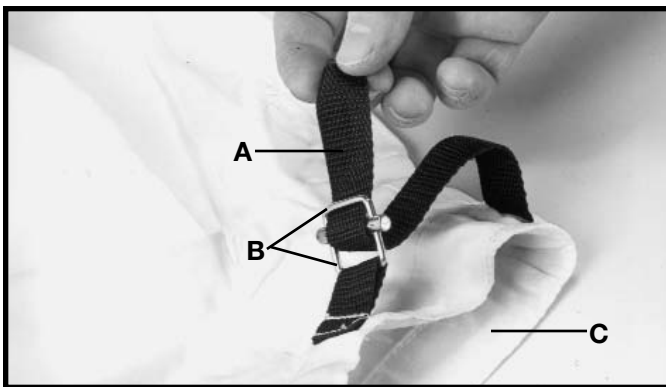


Fig. 19

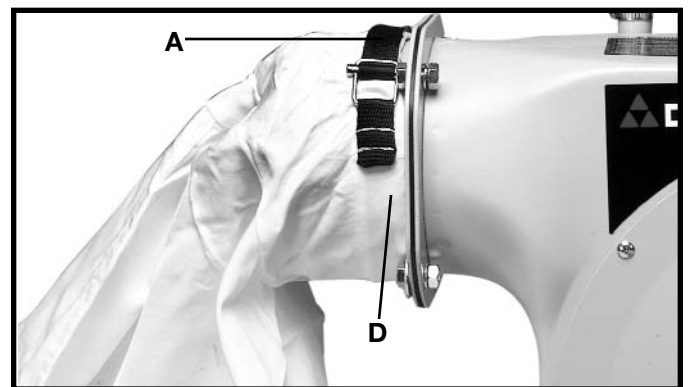


Fig. 20

CONNECTING TOOL TO POWER SOURCE POWER CONNECTIONS

A separate electrical circuit should be used for your tools. This circuit should not be less than #12 wire and should be protected with a 20 Amp time lag fuse. Have a qualified electrician repair or replace damaged or worn cord immediately. Before connecting the motor to the power line, make certain the switch is in the "OFF" position and be sure that the electric current is of the same characteristics as stamped on the motor nameplate. All line connections should make good contact. Running on low voltage will damage the motor.

MOTOR SPECIFICATIONS

Your tool is wired for 120 volt, 60 HZ alternating current. Before connecting the tool to the power source, make sure the switch is in the "OFF" position.

GROUNDING INSTRUCTIONS

⚠️ WARNING: THIS TOOL MUST BE GROUNDED WHILE IN USE TO PROTECT THE OPERATOR FROM ELECTRIC SHOCK.

This dust collector must be grounded. If it should malfunction or break down, grounding provides a path of least resistance for electric current to reduce the risk of electric shock. This dust collector is equipped with a cord having an equipment-grounding conductor and grounding plug. The plug must be inserted into an appropriate outlet that is properly installed and grounded in accordance with all local codes and ordinances.

⚠️ WARNING: Improper connection of the equipment-grounding conductor can result in a risk of electric shock. Check with a qualified electrician or service person if you are in doubt as to whether the outlet is properly grounded. Do not modify the plug provided with the dust collector. If it will not fit the outlet, have a proper outlet installed by a qualified electrician.

120 VOLT, SINGLE PHASE OPERATION

This tool must be grounded while in use to protect the operator from electric shock. The motor recommended for use with your dust collector is shipped wired for 120 Volt, Single Phase, and is equipped with an approved 3-conductor cord and 3-prong grounding type plug to fit the proper grounding type receptacle, as shown in Fig. 19. The green conductor in the cord is the grounding wire. Never connect the green wire to a live terminal.

A temporary adapter, shown in Fig. 20, is available for connecting 3-prong grounding type plugs to 2-prong receptacles if a properly grounded outlet is not available. The temporary adapter should be used only until a properly grounded outlet can be installed by a qualified electrician. **THIS ADAPTER IS NOT APPLICABLE IN CANADA.** The green-colored rigid ear, lug, etc., extending from the adapter, is the grounding means and must be connected to a permanent ground such as to a properly grounded outlet box, as shown in Fig. 20. Whenever the adapter is used, it must be held in place with a metal screw.

240 VOLT, SINGLE PHASE OPERATION

The motor supplied with your dust collector is a dual voltage 120/240 volt motor. The dust collector motor is shipped ready-to-run for 120 volt operation; however, it may be converted for 240 volt operation.

The conversion of your dust collector for 240 volt operation must be done by qualified electrical personnel. Should you desire to have your dust collector converted for 240 volts, take your dust collector to your local Authorized Delta Service Center. Call 1-800-223-7278 for the location of the nearest Authorized Service Center. The Service Center will be able to convert your dust collector for 240 volts by (a) re-wiring the motor for 240 volts; (b) installing a 240 volt attachment plug to the power supply cord; and (c) replacing the single pole on/off switch shipped with your dust collector with a double pole switch.

The dust collector with a 240 volt plug should only be connected to an outlet having the same configuration as the plug illustrated in Fig. 21. No adapter is available or should be used with the 240 volt plug.

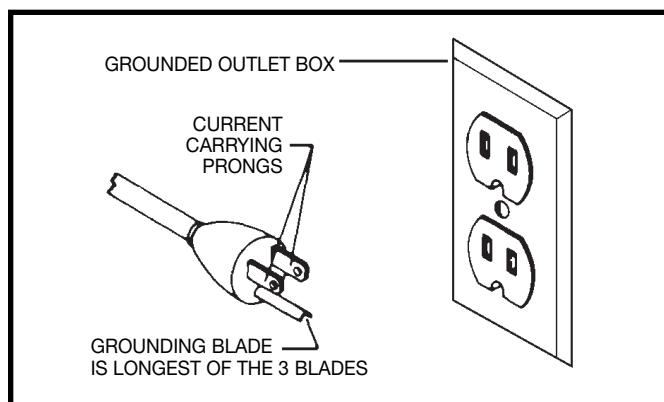


Fig. 19

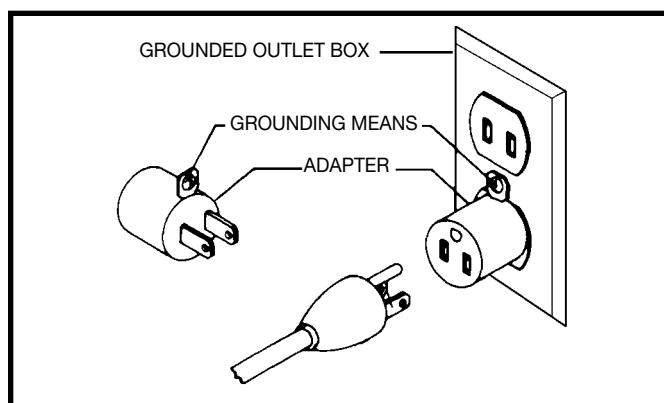


Fig. 20

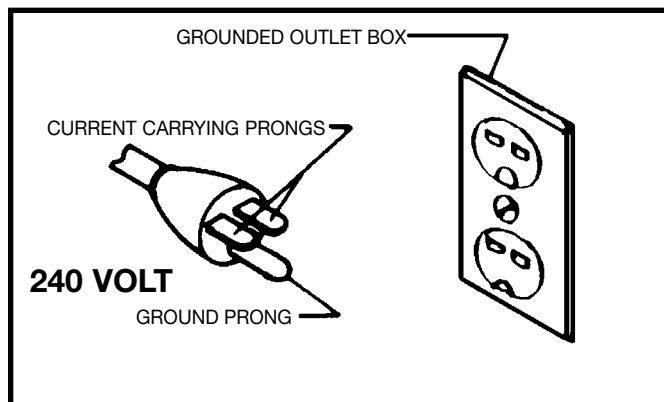


Fig. 21

AS A PRECAUTION IN ALL CASES, MAKE CERTAIN THE RECEPTACLE IN QUESTION IS PROPERLY GROUNDED. IF YOU ARE NOT SURE, HAVE A CERTIFIED ELECTRICIAN CHECK THE RECEPTACLE.

EXTENSION CORDS

Use proper extension cords. Make sure your extension cord is in good condition and is a 3-wire extension cord which has a 3-prong grounding type plug and a 3-hole receptacle which will accept the tool's plug. When using an extension cord, be sure to use one heavy enough to carry the current of the tool. An undersized cord will cause a drop in line voltage, resulting in loss of power and overheating. Fig. 22 & 23, shows the correct gauge to use depending on the cord length. If in doubt, use the next heavier gauge. The smaller the gauge number, the heavier the cord.

MINIMUM GAUGE EXTENSION CORD			
RECOMMENDED SIZES FOR USE WITH STATIONARY ELECTRIC TOOLS			
Ampere Rating	Volts	Total Length of Cord in Feet	Gauge of Extension Cord
0-6	120	up to 25	18 AWG
0-6	120	25-50	16 AWG
0-6	120	50-100	16 AWG
0-6	120	100-150	14 AWG
6-10	120	up to 25	18 AWG
6-10	120	25-50	16 AWG
6-10	120	50-100	14 AWG
6-10	120	100-150	12 AWG
10-12	120	up to 25	16 AWG
10-12	120	25-50	16 AWG
10-12	120	50-100	14 AWG
10-12	120	100-150	12 AWG
12-16	120	up to 25	14 AWG
12-16	120	25-50	12 AWG
12-16	120	GREATER THAN 50 FEET NOT RECOMMENDED	

Fig. 22

MINIMUM GAUGE EXTENSION CORD			
RECOMMENDED SIZES FOR USE WITH STATIONARY ELECTRIC TOOLS			
Ampere Rating	Volts	Total Length of Cord in Feet	Gauge of Extension Cord
0-6	240	up to 50	18 AWG
0-6	240	50-100	16 AWG
0-6	240	100-200	16 AWG
0-6	240	200-300	14 AWG
6-10	240	up to 50	18 AWG
6-10	240	50-100	16 AWG
6-10	240	100-200	14 AWG
6-10	240	200-300	12 AWG
10-12	240	up to 50	16 AWG
10-12	240	50-100	16 AWG
10-12	240	100-200	14 AWG
10-12	240	200-300	12 AWG
12-16	240	up to 50	14 AWG
12-16	240	50-100	12 AWG
12-16	240	GREATER THAN 100 FEET NOT RECOMMENDED	

Fig. 23

OPERATING CONTROLS & ADJUSTMENTS

⚠ WARNING: FOR OPERATOR SAFETY, MAKE CERTAIN THE DUST INTAKE PORT IS COVERED WITH THE VACUUM HOSE BEFORE OPERATING THE MACHINE. THE ROTATING FAN INSIDE THE BLOWER HOUSING IS ACCESSIBLE THROUGH THE DUST INTAKE PORT AND IS HAZARDOUS. MAKE SURE INTAKE CAP COVERS THE INTAKE PORT WHEN HOSE IS REMOVED. ALWAYS WEAR PROPER APPAREL. DO NOT WEAR JEWELRY, AND KEEP FINGERS AND ALL FOREIGN OBJECTS OUT OF THE DUST INTAKE PORT. ALWAYS FOLLOW THE SAFETY RULES OF THIS MANUAL.

STARTING AND STOPPING DUST COLLECTOR

The **ON/OFF** power switch (A) Fig. 24, is located on the side of the motor. To turn the machine “**ON**”, move the toggle switch (B) towards the “**ON**” position. To turn the switch “**OFF**”, move the toggle switch (B) towards the “**OFF**” position.



Fig. 24

LOCKING SWITCH IN THE “OFF” POSITION

When the tool is not in use, the switch should be locked in the “**OFF**” position to prevent unauthorized use. This can be done by grasping the switch toggle (B) Fig. 25, and pulling it out of the switch (A) as shown. With the switch toggle removed, the switch will not operate. However, should the switch toggle be removed while the machine is running, the switch can be turned “**OFF**” once, but cannot be restarted without inserting switch toggle (B).

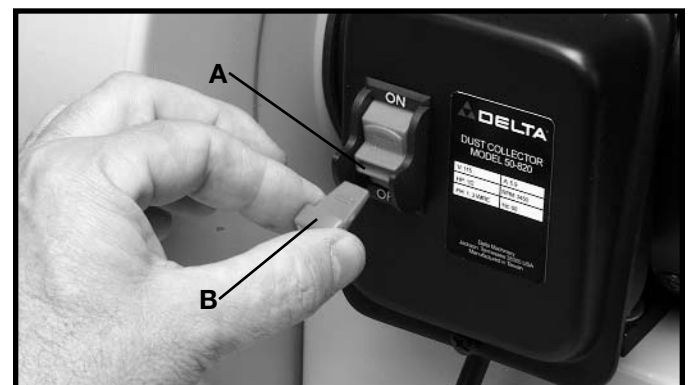


Fig. 25

OPERATIONS

This versatile dust collector is light, compact and can easily be transported to a variety of locations for use in and out of the workshop. This dust collector can be used with many different types of woodworking machinery as shown in Figs. 26, 27, and 28. This dust collector shows its versatility in the way that the intake port can be positioned to accommodate different types of wood working machinery.

Fig. 26 illustrates the dust collector used in conjunction with a router. Note that the intake port is adjusted so that it will be able to collect the dust created by using the router.

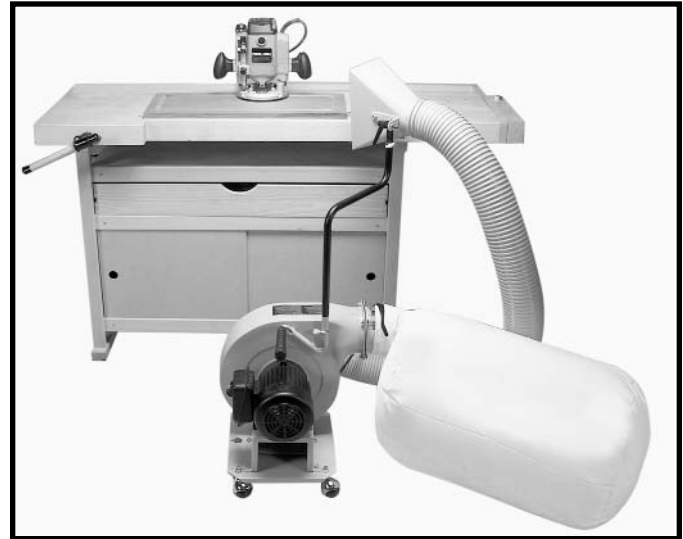


Fig. 26

Fig. 27 illustrates the dust collector used in conjunction with a table saw. Note that the intake port is removed from the lower tube support. The intake funnel can be clamped to a tool to provide dust collection as shown.



Fig. 27

Fig. 28 illustrates the dust collector used in conjunction with a drum sander that is equipped with a dust removal port. The intake funnel can be removed and the 4" dust tube can be connected directly to the dust removal port.



Fig. 28

TRANSPORTATION AND STORAGE

1. The dust collector features a convenient carrying handle with rubber grip (A) Fig. 29, which allows the unit to be carried easily from one job area to another. **IMPORTANT: THE DUST COLLECTOR WEIGHS APPROXIMATELY 46 LBS. CARE SHOULD BE TAKEN WHEN LIFTING AND TRANSPORTING THE MACHINE.**

2. In addition to the carrying handle, the machine features a storage mounting bracket (B) Fig. 30, with a hole for mounting the dust collector to a wall or wooden support (when not in use).

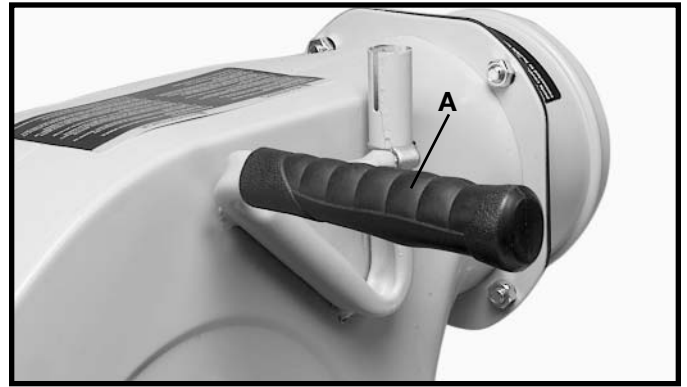


Fig. 29

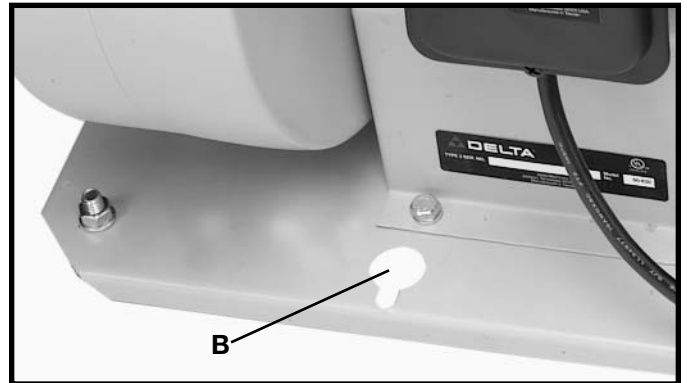


Fig. 30

MAINTENANCE

⚠️ WARNING: Before any maintenance or service is performed, be sure the dust collector is disconnected from the power source to prevent accidental starting. All maintenance other than the items recommended in this manual should be performed by an authorized Delta Service Center.

1. **⚠️ WARNING:** Always disconnect the machine from the power source before performing any maintenance procedures.
2. The condition of the dust bag should be checked periodically for damage and emptied on a regular basis. Do not transport the machine with a full dust bag.
3. Clean and apply a dry silicone lubricant monthly to the impeller to remove any dirt or build-up of pitch, gum and wood shavings.
4. **⚠️ WARNING:** Always make sure that the intake cap (A) Fig. 31, covers the intake port when the hose is not connected to the machine.

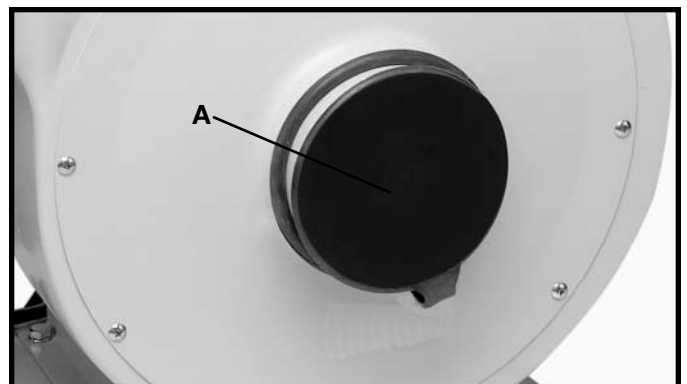



Fig. 31

ACCESSORIES

A complete line of accessories is available from your Delta Supplier, Porter-Cable • Delta Factory Service Centers, and Delta Authorized Service Stations. Please visit our Web Site www.deltamachinery.com for a catalog or for the name of your nearest supplier.

 **WARNING:** Since accessories, other than those offered by Delta, have not been tested with this product, use of such accessories could be hazardous. For safest operation, only Delta recommended accessories should be used with this product.



PARTS, SERVICE OR WARRANTY ASSISTANCE

All Delta Machines and accessories are manufactured to high quality standards and are serviced by a network of Porter-Cable • Delta Factory Service Centers and Delta Authorized Service Stations. To obtain additional information regarding your Delta quality product or to obtain parts, service, warranty assistance, or the location of the nearest service outlet, please call 1-800-223-7278 (In Canada call 1-800-463-3582).



Two Year Limited Warranty

Delta will repair or replace, at its expense and at its option, any Delta machine, machine part, or machine accessory which in normal use has proven to be defective in workmanship or material, provided that the customer returns the product prepaid to a Delta factory service center or authorized service station with proof of purchase of the product within two years and provides Delta with reasonable opportunity to verify the alleged defect by inspection. Delta may require that electric motors be returned prepaid to a motor manufacturer's authorized station for inspection and repair or replacement. Delta will not be responsible for any asserted defect which has resulted from normal wear, misuse, abuse or repair or alteration made or specifically authorized by anyone other than an authorized Delta service facility or representative. Under no circumstances will Delta be liable for incidental or consequential damages resulting from defective products. This warranty is Delta's sole warranty and sets forth the customer's exclusive remedy, with respect to defective products; all other warranties, express or implied, whether of merchantability, fitness for purpose, or otherwise, are expressly disclaimed by Delta.

Free Manuals Download Website

<http://myh66.com>

<http://usermanuals.us>

<http://www.somanuals.com>

<http://www.4manuals.cc>

<http://www.manual-lib.com>

<http://www.404manual.com>

<http://www.luxmanual.com>

<http://aubethermostatmanual.com>

Golf course search by state

<http://golfingnear.com>

Email search by domain

<http://emailbydomain.com>

Auto manuals search

<http://auto.somanuals.com>

TV manuals search

<http://tv.somanuals.com>