

# 5 H.P. Dust Collector

(Model 50-866 Single Phase)  
(Model 50-861 Three Phase)



MODEL 50-861 SHOWN

PART NO. 902110 - 04-18-02  
Copyright © 2002 Delta Machinery



To learn more about DELTA MACHINERY  
visit our website at: [www.deltamachinery.com](http://www.deltamachinery.com).

**For Parts, Service, Warranty or other Assistance,**

**please call 1-800-223-7278 (In Canada call 1-800-463-3582).**

# GENERAL SAFETY RULES

Woodworking can be dangerous if safe and proper operating procedures are not followed. As with all machinery, there are certain hazards involved with the operation of the product. Using the machine with respect and caution will considerably lessen the possibility of personal injury. However, if normal safety precautions are overlooked or ignored, personal injury to the operator may result. Safety equipment such as guards, push sticks, hold-downs, featherboards, goggles, dust masks and hearing protection can reduce your potential for injury. But even the best guard won't make up for poor judgment, carelessness or inattention. Always use common sense and exercise caution in the workshop. If a procedure feels dangerous, don't try it. Figure out an alternative procedure that feels safer. **REMEMBER:** Your personal safety is your responsibility.

This machine was designed for certain applications only. Delta Machinery strongly recommends that this machine not be modified and/or used for any application other than that for which it was designed. If you have any questions relative to a particular application, **DO NOT** use the machine until you have first contacted Delta to determine if it can or should be performed on the product.

## Technical Service Manager

Delta Machinery  
4825 Highway 45 North  
Jackson, TN 38305

(IN CANADA: 505 SOUTHGATE DRIVE, GUELPH, ONTARIO N1H 6M7)



## WARNING: FAILURE TO FOLLOW THESE RULES MAY RESULT IN SERIOUS PERSONAL INJURY

1. **FOR YOUR OWN SAFETY, READ INSTRUCTION MANUAL BEFORE OPERATING THE TOOL.** Learn the tool's application and limitations as well as the specific hazards peculiar to it.

2. **KEEP GUARDS IN PLACE** and in working order.

3. **ALWAYS WEAR EYE PROTECTION.** Wear safety glasses. Everyday eyeglasses only have impact resistant lenses; they are not safety glasses. Also use face or dust mask if cutting operation is dusty. These safety glasses must conform to ANSI Z87.1 requirements. **NOTE:** Approved glasses have Z87 printed or stamped on them.

4. **REMOVE ADJUSTING KEYS AND WRENCHES.** Form habit of checking to see that keys and adjusting wrenches are removed from tool before turning it "on".

5. **KEEP WORK AREA CLEAN.** Cluttered areas and benches invite accidents.

6. **DON'T USE IN DANGEROUS ENVIRONMENT.** Don't use power tools in damp or wet locations, or expose them to rain. Keep work area well-lighted.

7. **KEEP CHILDREN AND VISITORS AWAY.** All children and visitors should be kept a safe distance from work area.

8. **MAKE WORKSHOP CHILDPROOF** – with padlocks, master switches, or by removing starter keys.

9. **DON'T FORCE TOOL.** It will do the job better and be safer at the rate for which it was designed.

10. **USE RIGHT TOOL.** Don't force tool or attachment to do a job for which it was not designed.

11. **WEAR PROPER APPAREL.** No loose clothing, gloves, neckties, rings, bracelets, or other jewelry to get caught in moving parts. Nonslip footwear is recommended. Wear protective hair covering to contain long hair.

12. **SECURE WORK.** Use clamps or a vise to hold work when practical. It's safer than using your hand and frees both hands to operate tool.

13. **DON'T OVERREACH.** Keep proper footing and balance at all times.

14. **MAINTAIN TOOLS IN TOP CONDITION.** Keep tools sharp and clean for best and safest performance. Follow instructions for lubricating and changing accessories.

15. **DISCONNECT TOOLS** before servicing and when changing accessories such as blades, bits, cutters, etc.

16. **USE RECOMMENDED ACCESSORIES.** The use of accessories and attachments not recommended by Delta may cause hazards or risk of injury to persons.

17. **REDUCE THE RISK OF UNINTENTIONAL STARTING.** Make sure switch is in "OFF" position before plugging in power cord. In the event of a power failure, move switch to the "OFF" position.

18. **NEVER STAND ON TOOL.** Serious injury could occur if the tool is tipped or if the cutting tool is accidentally contacted.

19. **CHECK DAMAGED PARTS.** Before further use of the tool, a guard or other part that is damaged should be carefully checked to ensure that it will operate properly and perform its intended function – check for alignment of moving parts, binding of moving parts, breakage of parts, mounting, and any other conditions that may affect its operation. A guard or other part that is damaged should be properly repaired or replaced.

20. **DIRECTION OF FEED.** Feed work into a blade or cutter against the direction of rotation of the blade or cutter only.

21. **NEVER LEAVE TOOL RUNNING UNATTENDED. TURN POWER OFF.** Don't leave tool until it comes to a complete stop.

22. **STAY ALERT, WATCH WHAT YOU ARE DOING, AND USE COMMON SENSE WHEN OPERATING A POWER TOOL. DO NOT USE TOOL WHILE TIRED OR UNDER THE INFLUENCE OF DRUGS, ALCOHOL, OR MEDICATION.** A moment of inattention while operating power tools may result in serious personal injury.

23. **MAKE SURE TOOL IS DISCONNECTED FROM POWER SUPPLY** while motor is being mounted, connected or reconnected.

24. **THE DUST GENERATED** by certain woods and wood products can be injurious to your health. Always operate machinery in well ventilated areas and provide for proper dust removal. Use wood dust collection systems whenever possible.

## SAVE THESE INSTRUCTIONS.

Refer to them often and use them to instruct others.

# IMPORTANT SAFETY RULES FOR DUST COLLECTORS

**⚠️ WARNING:** Basic precautions should always be followed when using your dust collector. To reduce the risk of injury, electrical shock or fire, comply with the safety rules listed below:

1. **DO NOT** leave the dust collector plugged into the electrical outlet. Unplug dust collector from the outlet when not in use and before servicing, changing bags, unclogging and cleaning.
2. **ALWAYS** turn all controls “OFF” before unplugging the dust collector.
3. **⚠️ WARNING: TO REDUCE THE RISK OF ELECTRICAL SHOCK**, do not use on wet surfaces. Do not expose to rain. Store indoors.
4. **FOLLOW** all electrical and safety codes, including the National Electric Code (NEC) and the Occupational Safety and Health Regulations (OSHA). All electrical connections and wiring should be made by qualified personnel only.
5. **DO NOT** use the dust collector to pick up flammable or combustible liquids, such as gasoline. **NEVER** use the dust collector near any flammable or combustible liquids.
6. **USE** the dust collector to pick up wood materials only. **DO NOT** use the dust collector to pick up metal shavings, metal dust, or metal parts.
7. **NEVER** use the dust collector to dissipate fumes or smoke. **NEVER** pick up anything that is burning or smoking, such as cigarettes, matches or hot ashes.
8. **DO NOT** pull the dust collector by the power cord. **NEVER** allow the power cord to come in contact with sharp edges, hot surfaces, oil or grease. Do not place anything over the top of the power cord.
9. **DO NOT** unplug the dust collector by pulling on the power cord. **ALWAYS** grasp the plug, not the cord.
10. **DO NOT** handle the plug or dust collector with wet hands.
11. **REPLACE** a damaged cord immediately. **DO NOT** use a damaged cord or plug. If the dust collector is not operating properly, or has been damaged, left outdoors or has been in contact with water, take it to an Authorized Service Center for service.
12. **DO NOT** use the dust collector as a toy. **DO NOT** use near or around children.
13. **DO NOT** insert fingers or foreign objects into the dust intake port. Keep hair, loose clothing, fingers, and all body parts away from openings and moving parts of the dust collector.
14. **DO NOT** use with any opening blocked; keep openings free of dust, lint, hair, and anything that may reduce air flow.
15. **NEVER** operate the dust collector without the dust collection bag in place and properly secured.
16. **ALWAYS** use intake caps to cover unused dust ports when the dust collector is not in use.
17. **PERIODICALLY INSPECT** dust bag for any cuts, rips or tears. **NEVER** operate the dust collector with a damaged bag or vacuum hose.
18. The dust collector is designed for home use or light commercial duty **ONLY!**
19. **CONNECT** dust collector to a properly grounded outlet only. See grounding instructions.
20. **USE EXTRA CARE** when cleaning on stairs.

**SAVE THESE INSTRUCTIONS.  
Refer to them often  
and use them to instruct others.**

**NOTICE: THE MANUAL COVER PHOTO ILLUSTRATES THE CURRENT PRODUCTION MODEL. ALL OTHER ILLUSTRATIONS ARE REPRESENTATIVE ONLY AND MAY NOT DEPICT THE ACTUAL COLOR, LABELING OR ACCESSORIES AND MAY BE INTENDED TO ILLUSTRATE TECHNIQUE ONLY.**

# UNPACKING AND CLEANING

Carefully unpack the tool and all loose items from the shipping container(s). Remove the protective coating from all unpainted surfaces. This coating may be removed with a soft cloth moistened with kerosene (do not use acetone, gasoline or lacquer thinner for this purpose). After cleaning, cover the unpainted surfaces with a good quality household floor paste wax.

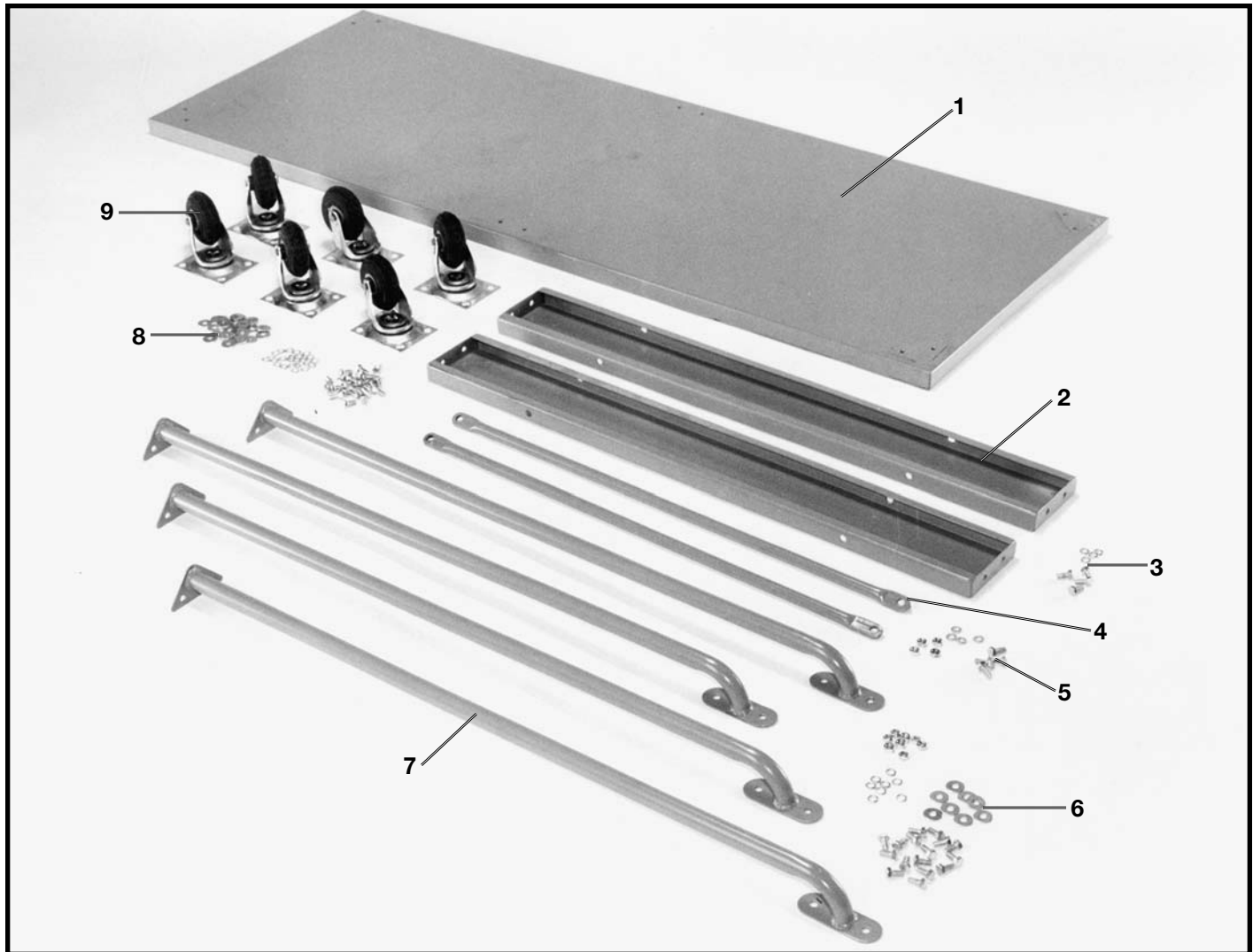


Fig. 2

1. Base
2. Side Supports (2)
3. Hardware for Mounting Side Supports  
Includes: 5/16-18 x 5/8" Hex Head Screws (4), and 5/16" Lockwashers (4)
4. Cross-Member Supports (2)
5. Hardware for Mounting Cross-Members  
Includes: 5/16-18 x 5/8" Hex Head Screws (4), 5/16" Flat Washers (4), 5/16" Lockwashers (4), and 5/16-18 Hex nuts (4 )
6. Hardware for Mounting Drum Supports:  
Includes 5/16-18 x 5/8" Hex Head Screws (16), 5/16" Lockwashers (16), 5/16" Flat Washers (8), and 5/16-18 Hex nuts (8)
7. Drum Supports (4)
8. Hardware for Mounting Caster Assemblies to Base.  
Includes: 5/16-18 x 5/8" Hex Head Screws (24), 5/16" Lockwashers (24), and 5/16" Flat Washers (24)
9. Caster Assemblies (6)

1. Motor, Fan and Blower Assembly (Hardware for mounting not shown: 5/16" flat washer (4), 5/16" lockwasher (4), 5/16-18 hex nut (4))
2. Drums (2)
3. Gaskets (2)
4. Switch Control Box for Model 50-866 only.( 3 sheet metal screws for mounting)
5. Hardware for Mounting Drums to Fan and Blower Assembly Includes: 5/16-18 x 5/8" Hex Head Screws and 5/16" Lockwashers (16 ea.)
6. Dust Intake Port
7. Sheet metal Screws (4)
8. Dust Intake Port Caps (4)

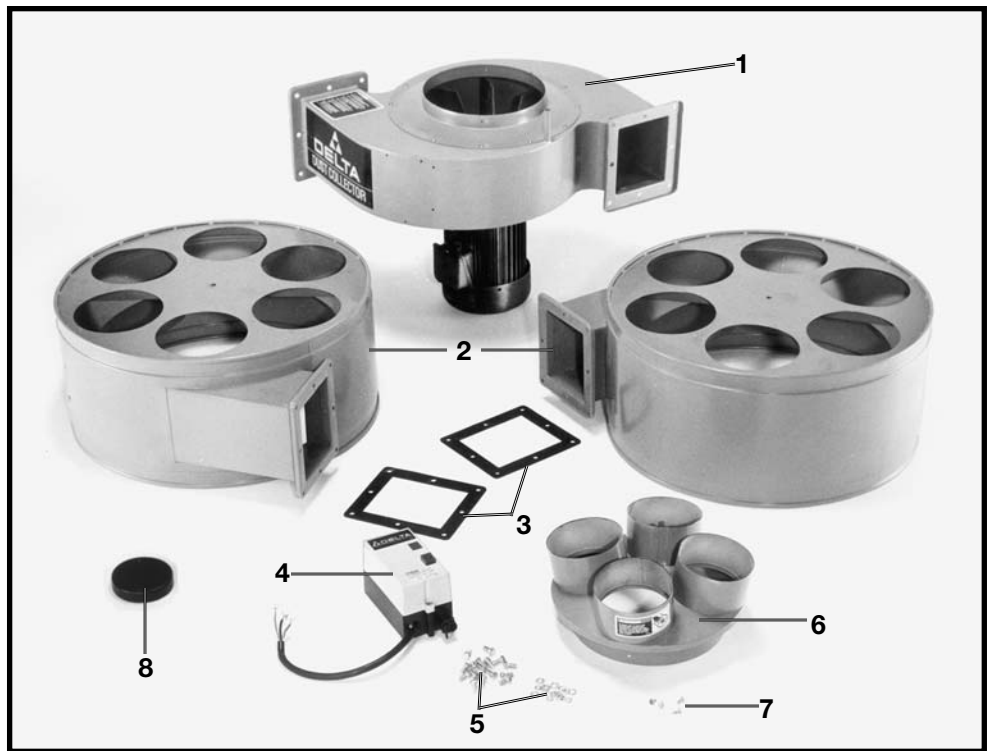


Fig. 3

1. Filter Bag Supports (2)
2. Filter Bags (12)
3. Upper Bag Supports Poles (2)
4. Lower Bag Supports Poles (2)
5. Special Washer 30mm O.D. 8mm I.D. 3mm thick (4)
6. 5/16-18 x 1 1/4" Hex Head Screws (4)
7. 5/16" Lockwashers (4)
8. Dust Collection Bags (2)
9. Band Clamp (2)
10. Special Washer 5 1/2mm O.D., 9.8mm I.D., 4mm thick (2)

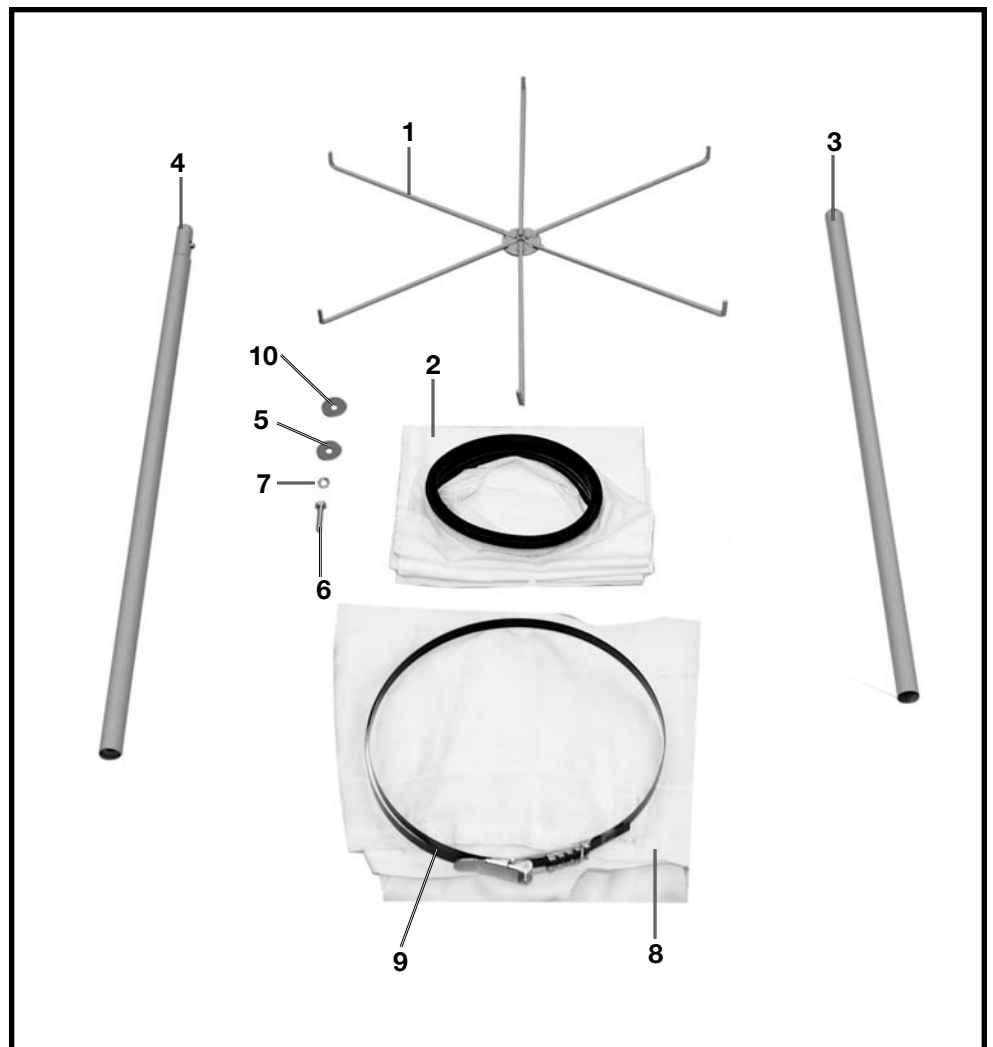


Fig. 4

# ASSEMBLY

## ASSEMBLING CASTERS TO BASE

Turn base over. Align four holes in caster (A) Fig. 5, with four holes at one corner of base (B) and assemble caster to base. Place a 5/16" lockwasher (D), then a 5/16" flat washer (E) on a 5/16-18x5/8" hex head screw (C), insert the hex head screw through the hole in the wheel caster and thread the screw into the base. Repeat this process for the three remaining holes. Assemble the remaining five casters (A) Fig. 6, to the underside of the base (B) in the same manner.

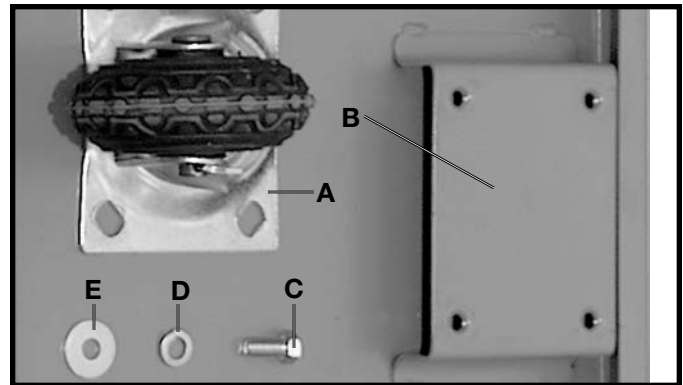


Fig. 5

## ASSEMBLING SUPPORTS, MOTOR AND BLOWER ASSEMBLY TO BASE

1. Turn base over so it is resting on the casters.

2. Assemble two supports (A) Fig. 7, to the threaded holes at the sides of the base (B). Place a 5/16" lockwasher (C) on a 5/16-18 x 5/8" hex head screw (D), and insert the screw through the side support and thread the screw into the base. Repeat this process for the remaining screw. Attach the other side support in the same manner. **NOTE:** Do not completely tighten hardware at this time.

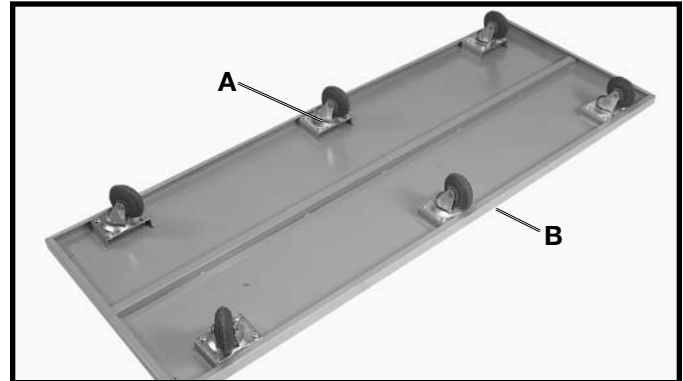


Fig. 6

3. Assemble two cross-member supports (D) Fig. 8, diagonally to the two side supports (A). Align the holes in the cross-member supports (D) with the holes in the side supports (A). Place a 5/16" flat washer (B) on a 5/16-18 x 5/8" hex head screw (C), insert the screw through the cross-member support and side support, and place a 5/16" lockwasher onto the screw and fasten with a 5/16-18 hex nut (E). Repeat this process for the remaining hole. Attach the other cross-member support in the same manner. The cross-member supports (D) Fig. 9, are shown assembled to the side supports. **NOTE:** Tighten hardware at this time.

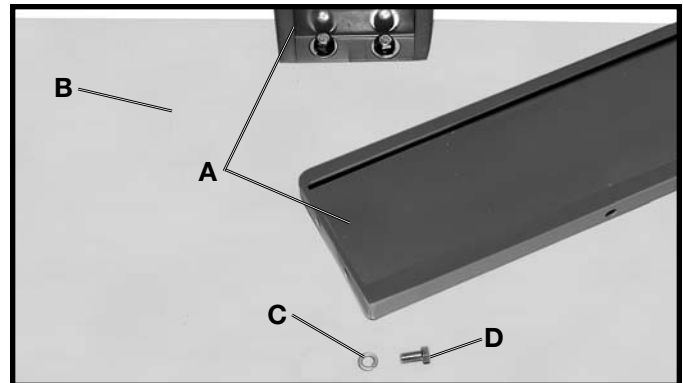


Fig. 7

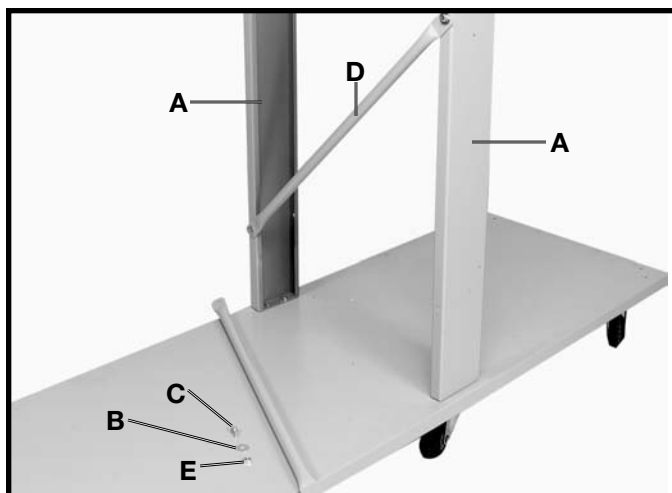


Fig. 8

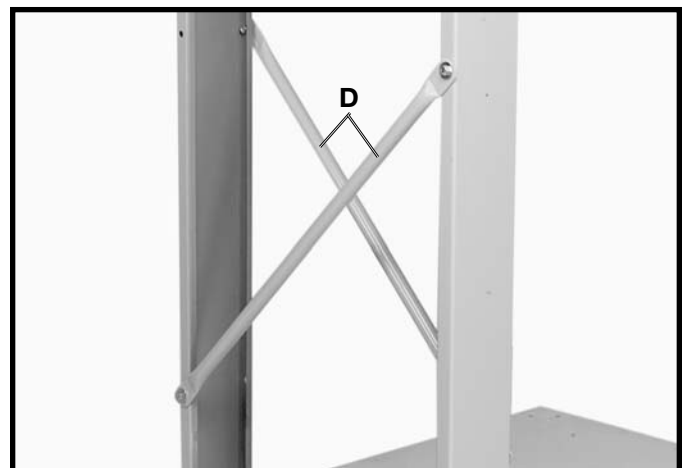


Fig. 9

4. **NOTE: FOR MODEL 50-866 MAKE SURE THAT THE FRONT OF THE MOTOR ASSEMBLY IS ATTACHED TO THE SUPPORT WITH THREE PREDRILLED HOLES IN IT, (THESE HOLES ARE WHERE THE CONTROL BOX IS TO BE MOUNTED).** Carefully place the motor/blower assembly (F) Fig. 10, onto two side supports (A), which were assembled in **STEP 2**. **CAUTION: The motor/blower assembly (F) is extremely heavy. It is recommend that two or more people lift the motor/blower assembly onto the side supports. Make certain the four pre-assembled threaded studs (G) are inserted into the four top holes of the side supports (A).**

5. Fasten motor/blower assembly (F) Fig. 10, to side supports (A). Place a 5/16" flat washer onto the stud that was inserted through the side support, place a 5/16" lockwasher onto the stud, thread a 5/16-18 hex nut onto the stud and tighten securely. Repeat this process for the three remaining studs.

6. Fig. 11, illustrates the motor/blower assembly attached to the side supports.

7. Align holes in gasket (J) Fig. 12, with the mounting holes in blower flange (H) and press gasket (J) onto motor flange.

8. Align threaded holes in drum (K) Fig. 13, with holes in motor/blower assembly (F). Place a 5/16" lockwasher on a 5/16-18 x 5/8" hex head screw and insert screw through the hole in the motor/blower assembly and thread screw into the drum. Repeat this process for the seven remaining holes. **NOTE: It is recommended that two people perform this operation.** Fig. 14, illustrates the drum assembled to the left side of motor/blower assembly. Assemble the remaining drum to the other side of the motor/blower assembly in the same manner.

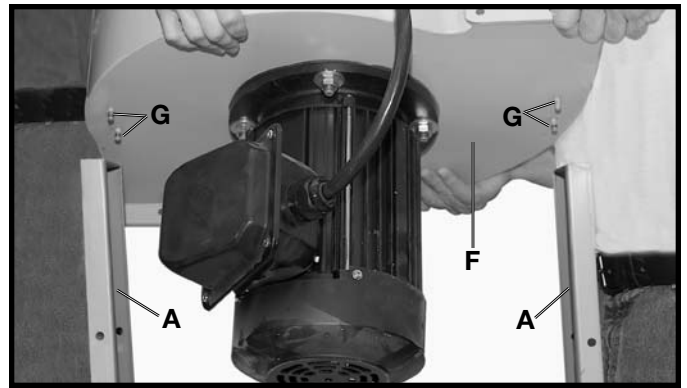


Fig. 10



Fig. 11

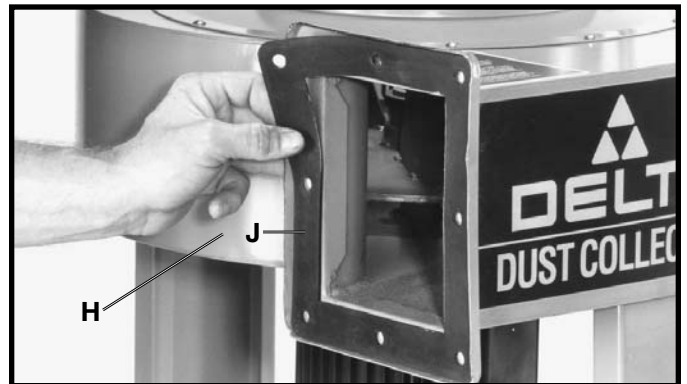


Fig. 12



Fig. 13



Fig. 14

9. Fig. 15, illustrates both drums (K) assembled to the fan and blower assembly (F).



Fig. 15

## ASSEMBLING DRUM SUPPORT POSTS TO BASE AND DRUMS

1. Assemble end of drum support post (A) Fig. 16, to threaded holes in one corner of base (B). Place a 5/16" lockwasher (C), on a 5/16-18 x 5/8" hex head screw (D), insert the screw through the hole in the support post and thread the screw into the hole in the base. Repeat this process for the remaining hole. Assemble the remaining three drum support posts to the base in the same manner.

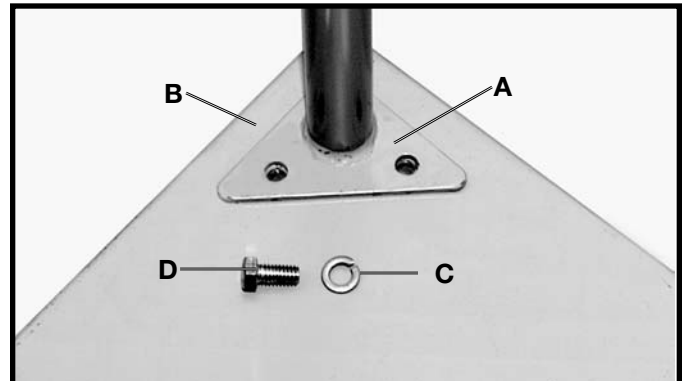


Fig. 16

2. Assemble the top of drum support post (A) Fig. 17, to drum (D). Place a 5/16" flat washer onto a 5/16-18 x 5/8" hex head screw, insert screw through the drum support post and drum, and place a 5/16" lockwasher onto the screw, and thread 5/16-18 nut onto screw and tighten securely. Repeat this process for the remaining hole. Assemble the remaining three drum support posts to the drums in the same manner.



Fig. 17

3. Fig. 18, illustrates the four drum support posts (A) assembled to the base and drums.

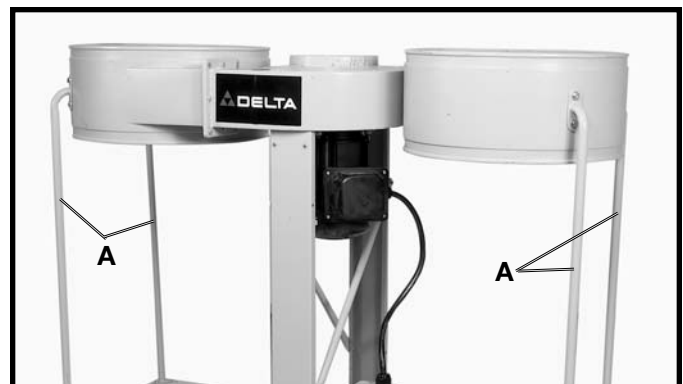


Fig. 18



# ASSEMBLING INTAKE PORT TO MOTOR AND BLOWER ASSEMBLY

Place the intake port (A) Fig. 19, onto the flange of motor/blower assembly (B). Align the holes in the flange (B) of the motor/blower assembly with the mounting holes in the dust intake port and fasten with four sheet metal screws (C) as shown in Fig. 20.

**⚠️WARNING:** The blower housing contains a high speed radial blade that can amputate fingers, grab loose clothing and neckties, or propel dust at high speeds.

**⚠️WARNING:** NEVER INSERT FINGERS OR ANY FOREIGN MATTER INTO THE DUST INTAKE PORTS.

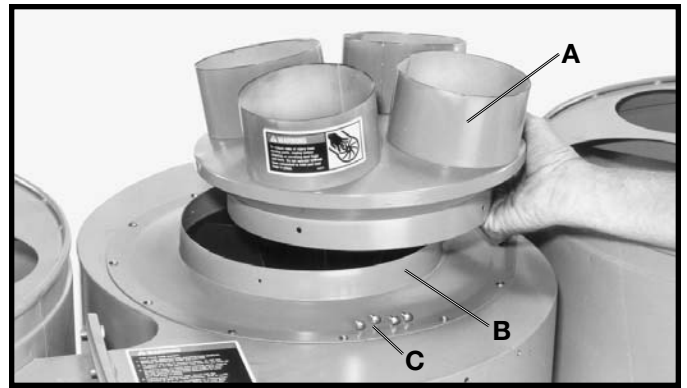


Fig. 19



Fig. 20

# ASSEMBLING BAG SUPPORTS, BAG HANGERS, AND FILTER BAGS TO DRUMS

1. Assemble bottom half of threaded lower bag support (A) Fig. 21, to center of drum assembly (B). Place a 5/16" lockwasher on a 5/16-18 x 1 1/4" hex head screw (C), insert screw (C) up through the bottom of drum (B), and place special washer (E) (5 1/2mm O.D. 9.8mm I.D. 4mm thick), onto the screw that was inserted through drum (B). Thread screw (C) into lower bag support (A) and tighten securely. Bottom half of lower bag support can be identified by the protrusion "pin" (F) in the support. Repeat this process for the other drum assembly.

2. Fig. 22, illustrates the lower bag support assembled to the drum assembly.

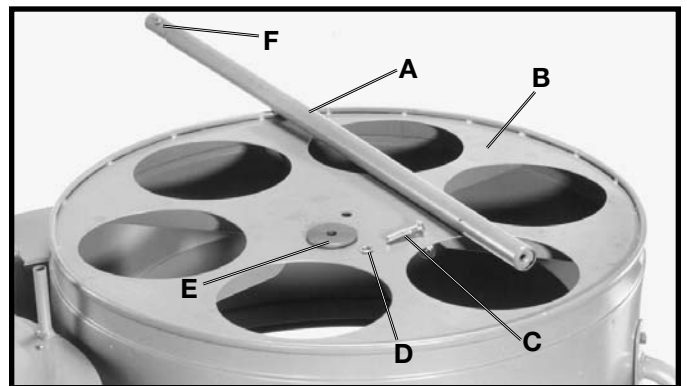


Fig. 21



Fig. 22

3. Assemble six-position filter bag hanger assembly (G) Fig. 23, to the top half of the upper bag support (H). Place a 5/16" lockwasher (I) onto a 5/16-18x1¼" hex head screw (J), place a special washer (K) (30mm O.D., 8mm I.D., 3mm thick), onto the screw, insert the screw through the filter bag hanger and place special washer (L) (30mm O.D., 8mm I.D., 3mm thick) onto screw. Thread the screw into the top half of upper bag support. Assemble the remaining six-position hanger to the other upper bag support (H) in the same manner.

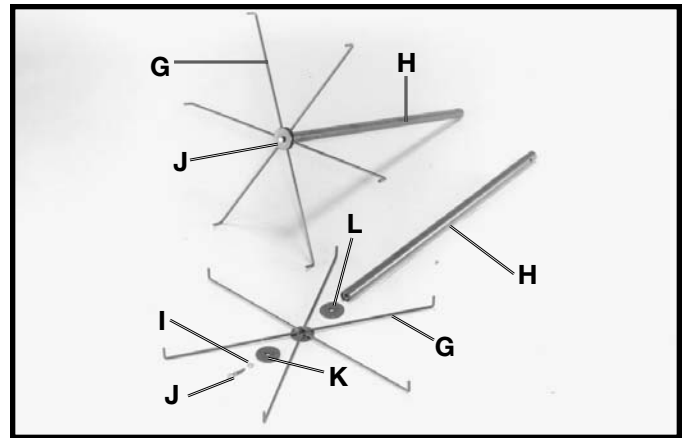


Fig. 23

4. Insert the upper bag support (H) Fig. 24, into the lower bag support (H), making certain the pin (F) in lower bag support engages hole in upper bag support. Assemble the remaining bag support in the same manner.

5. Position top of filter bags (J) Fig. 24, onto both hanger assemblies (G) as shown, until all twelve filter bags are positioned (6 each) on both hanger assemblies.

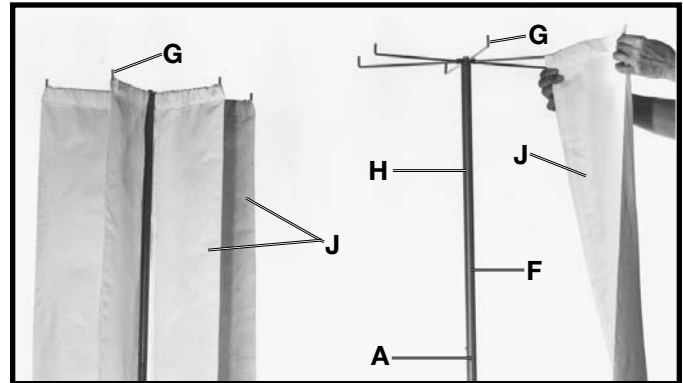


Fig. 24

6. **IMPORTANT:** Each filter bag (J) Fig. 25, features a channel (K) in the hem of the bag. This will allow the filter bag (J) to be positioned and held inside the lip of six holes in each drum assembly (B). Insert the open end of each bag (J) Fig. 26, into the hole in the drum assembly until the channel (K) in the bag is positioned over the lip of each drum opening as shown. Assemble the remaining 11 filter bags to the two drums in the same manner.

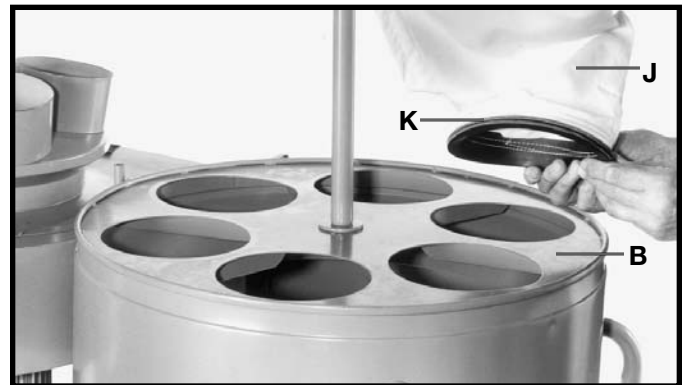


Fig. 25



Fig. 26

# ASSEMBLING DUST COLLECTION BAGS TO DRUMS

1. Insert bag clamp (A) Fig. 27, through the loops of the dust bag (B).

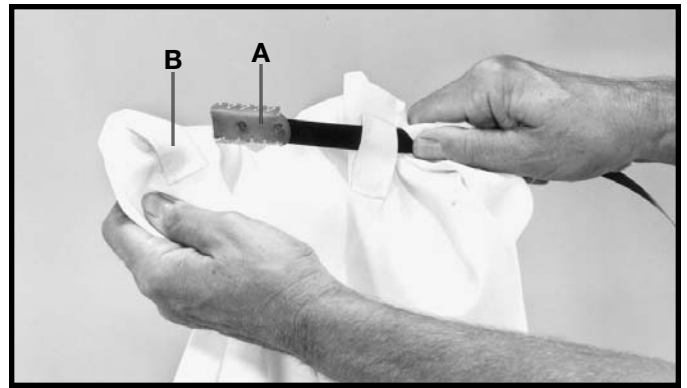


Fig. 27

2. Place the opening of the dust bag (B) Fig. 28, over the bottom lip of drum (C) as shown.

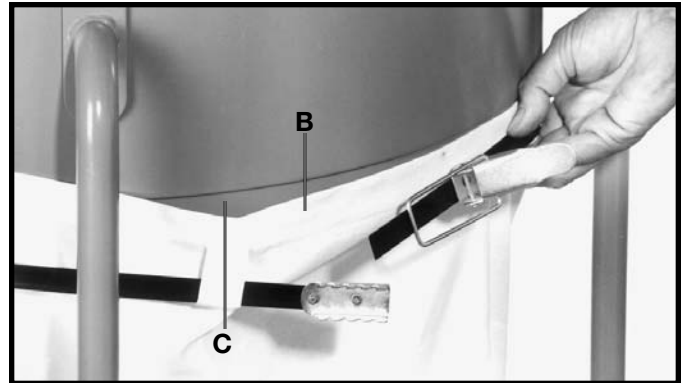


Fig. 28

3. Clamp the dust collection bag (B) Fig. 29, around drum (C) with the locking band (F). Assemble the remaining dust collection bag to the drum at the other side of the dust collector. **NOTE:** Make certain locking band (F) Fig. 29, is positioned in the channel of drum (C) before fastening clamp (A).

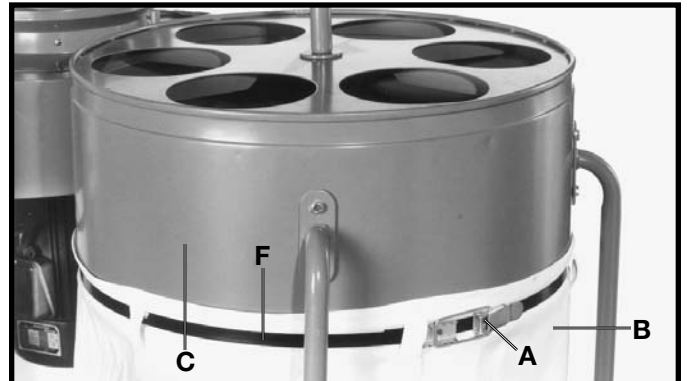


Fig. 29

## MODEL 50-861 ONLY MOUNTING SWITCH CONTROL BOX

1. Remove switch controller cover (A) Fig. 30.

2. Align the three mounting holes at the back of the control box, with three mounting holes in front support (not shown) and fasten switch control box to machine with three sheet metal screws (B) Fig. 32.

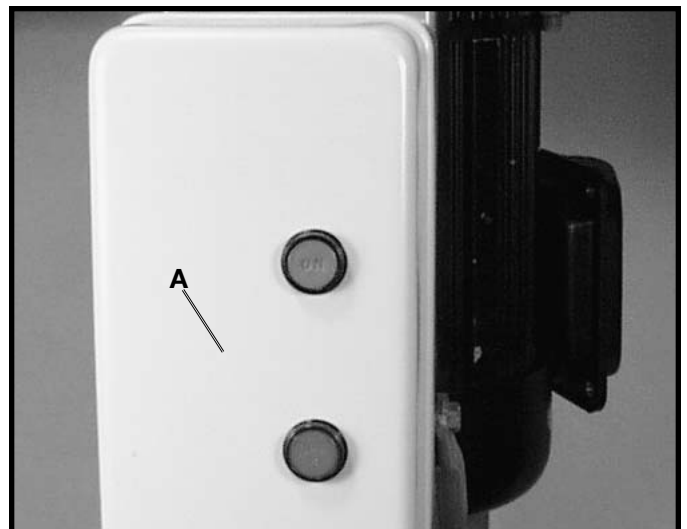


Fig. 30

# CONNECTING MACHINE TO POWER SOURCE

## MODEL 50-866 SINGLE PHASE INSTALLATION

**⚠️ WARNING:** Installation by a qualified electrician is recommended to assure safe and proper wiring and product operation.

The motor rating for your single phase dust collector is 230 Volts, 5 H.P. Before connecting your dust collector to an electrical power system, be sure the electrical system agrees with the motor rating of the tool.

The single phase Model 50-866 Dust Collector is supplied with a motor and controller; however, it is not furnished with a power cord or plug. To connect the dust collector to a power system, proceed as follows:

1. Assemble the control box (A) Fig. 32, to the front of the side support (H) Fig. 33. Insert sheet metal screws (B) Fig. 32, through holes in the controller box and thread the sheet metal screw into the side support and tighten securely.
2. Bring the power cord (not supplied) up through the large knockout hole (C) Fig. 32, in the control box (A) and connect the two power lines to terminals (D) and the green ground wire to ground screw (E). **NOTE: THE POWER CORD MUST BE INSERTED THROUGH THE BUSHING IN THE ACCESS HOLE (C), TIGHTEN THE ACCESS HOLE NUT OVER THE ACCESS HOLE TO HOLD THE POWER CORD IN PLACE.**
3. Reassemble the cover onto the controller box (A) Fig. 33.
4. The ON/OFF buttons are located at the front of the control box. To start the machine, push "ON" button (F) Fig. 33. To stop the machine, push the "OFF" button (G).

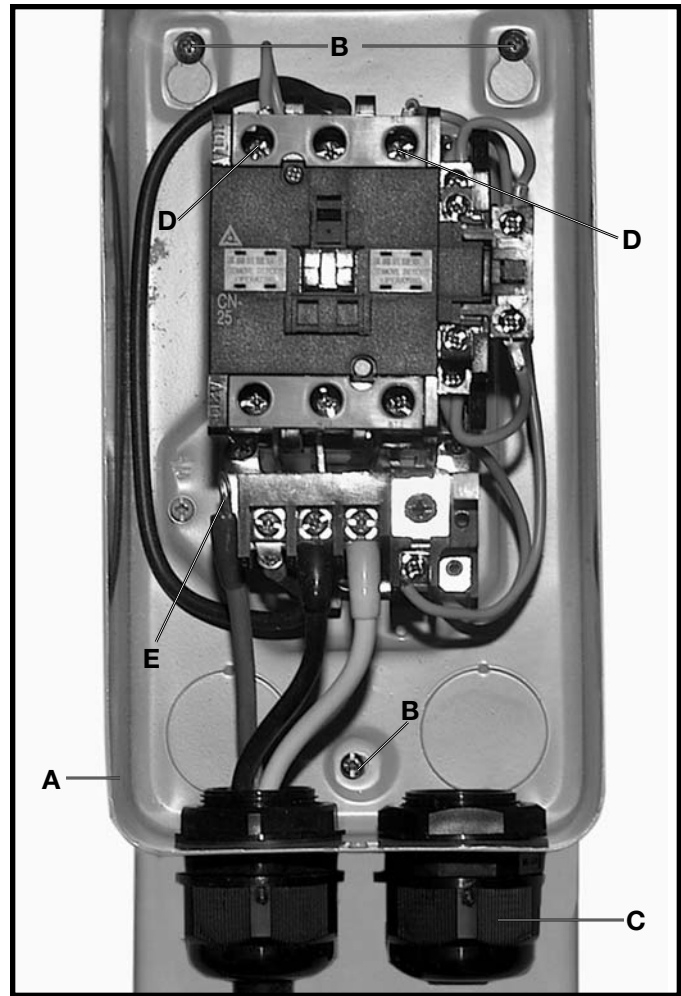


Fig. 32

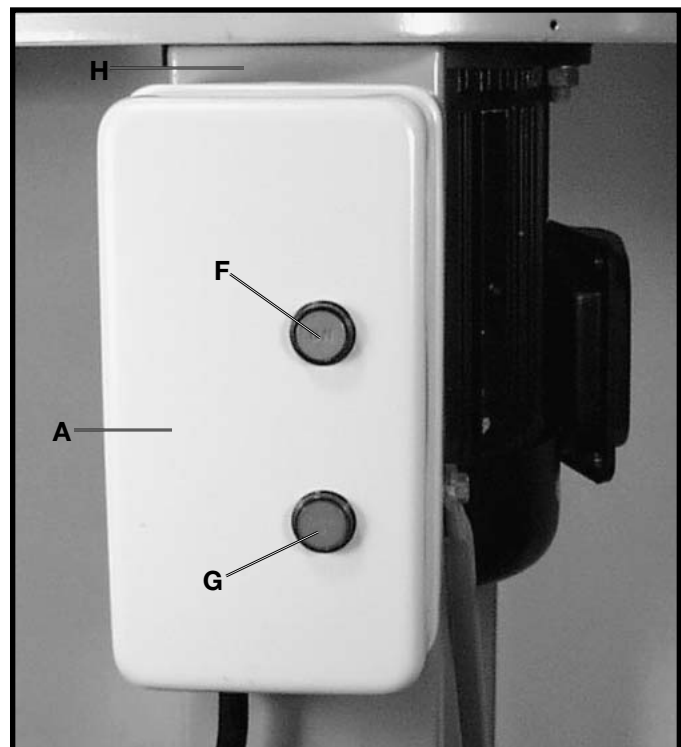


Fig. 33

# MODEL 50-861 THREE PHASE INSTALLATION

**⚠️WARNING:** Installation by a qualified electrician is recommended to assure safe and proper wiring and product operation.

The motor rating for your three phase dust collector is 200-220/440 Volts, 5 H.P. Unless ordered special, the machine is shipped wired for 200-220 Volts. Before connecting your dust collector to an electrical power system, be sure the electrical system agrees with the motor rating of the tool. Your dust collector is supplied with a motor and controller; however, it is not supplied with a power cord and plug.

1. To connect the dust collector to a power system, remove controller cover (C) Fig. 35.

2. Bring the power cord through the access hole (B) Fig. 34, in the controller box, and connect the three power lines to terminals (D) and the green ground wire to ground screw (E). **NOTE: THE POWER CORD MUST BE INSERTED THROUGH THE BUSHING IN THE ACCESS HOLE (B), TIGHTEN THE ACCESS HOLE NUT OVER THE ACCESS HOLE TO HOLD THE POWER CORD IN PLACE.**

3. After connecting the power cord to the machine, make certain the rotation of the motor is in the proper direction by viewing the rotation of the blower fan. The fan should rotate in a clockwise direction. **CAUTION: DO NOT INSERT FINGERS OR ANY FOREIGN OBJECT INTO THE DUST INTAKE PORT.** Rotation of the motor can be reversed by interchanging any two of the three incoming power lines connected to terminals (D) Fig. 34. Replace controller cover (C).

4. The on/off buttons are located at the front of the control box (C) Fig. 35. To start the dust collector, push "ON" button (B). To stop the machine, push "OFF" button (D).

## DUST INTAKE PORT CAPS

1. **IMPORTANT: FOUR DUST INTAKE PORT CAPS ARE SUPPLIED WITH THE DUST COLLECTOR, AS SHOWN IN FIG. 36. THE CAPS ARE TO BE PLACED ONTO THE DUST INTAKE PORTS WHEN ALL OR ANY NUMBER OF THE PORTS ARE NOT IN USE.**

**⚠️WARNING:**THE BLOWER HOUSING CONTAINS A HIGH SPEED RADIAL BLADE THAT CAN AMPUTATE FINGERS, GRAB LOOSE CLOTHING AND NECKTIES, OR PROPEL DUST AT HIGH SPEEDS.

**⚠️WARNING: D O N O T O P E R A T E T H E M A C H I N E W I T H O U T T H E D U S T C A P S O R B A G S I N P L A C E .**

**⚠️WARNING:DO NOT INSERT FINGERS OR ANY FOREIGN OBJECT INTO THE DUST INTAKE PORTS.**

2. Place the collar (B) Fig. 36, over the opening of the

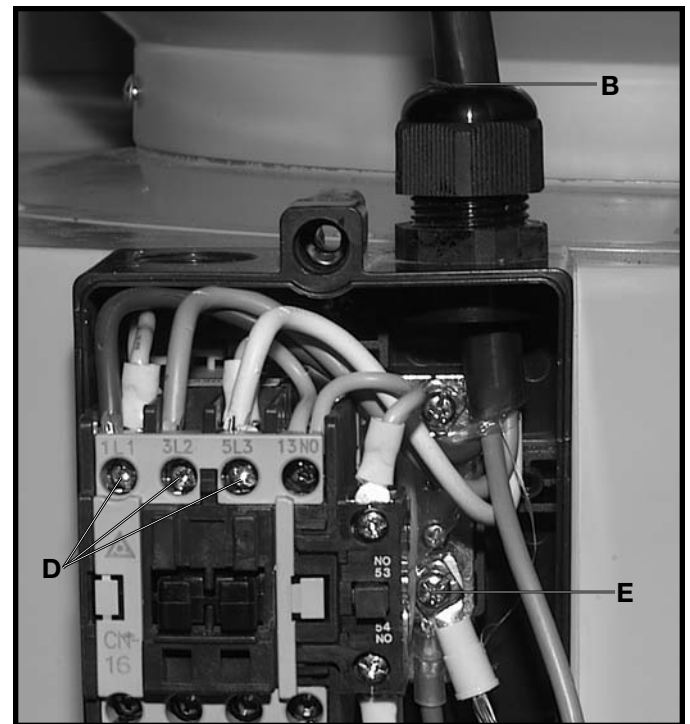


Fig. 34

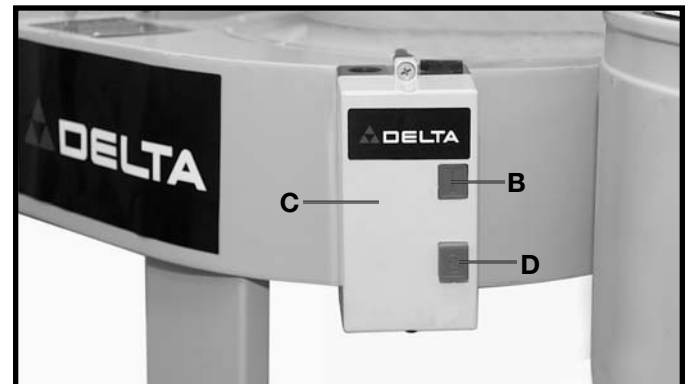


Fig. 35



Fig. 36

intake port. Press the recessed side of the cap into the port (C) opening. **IMPORTANT:** When connecting an intake hose to any of the intake ports, **DO NOT REMOVE THE COLLAR (B) FIG. 36, FROM THE INTAKE PORT.** Pull the dust cap from the port opening and push the collar and cap onto the port housing.

# MAINTENANCE


**NOTE:** Before any maintenance or service is performed, be sure that unit is disconnected from power source to prevent accidental starting.

## MOTOR MAINTENANCE

Removing dust and dirt: Blow off motor with low pressure air to remove dust or dirt. Air pressure above 50 P.S.I. should not be used, as high pressure may damage insulation and blow dirt under loosened tape. The operator performing this cleaning function should always wear appropriate eye protective goggles. Built-up dust can cause excessive insulation temperatures, thereby affecting motor life.

# ACCESSORIES

A complete line of accessories is available from your Delta Supplier, Porter-Cable · Delta Factory Service Centers, and Delta Authorized Service Stations. Please visit our Web Site [www.deltamachinery.com](http://www.deltamachinery.com) for a catalog or for the name of your nearest supplier.

 **WARNING:** Since accessories other than those offered by Delta have not been tested with this product, use of such accessories could be hazardous. For safest operation, only Delta recommended accessories should be used with this product.



## PARTS, SERVICE OR WARRANTY ASSISTANCE

All Delta Machines and accessories are manufactured to high quality standards and are serviced by a network of Porter-Cable · Delta Factory Service Centers and Delta Authorized Service Stations. To obtain additional information regarding your Delta quality product or to obtain parts, service, warranty assistance, or the location of the nearest service outlet, please call 1-800-223-7278 (In Canada call 1-800-463-3582).



### Two Year Limited Warranty

Delta will repair or replace, at its expense and at its option, any Delta machine, machine part, or machine accessory which in normal use has proven to be defective in workmanship or material, provided that the customer returns the product prepaid to a Delta factory service center or authorized service station with proof of purchase of the product within two years and provides Delta with reasonable opportunity to verify the alleged defect by inspection. Delta may require that electric motors be returned prepaid to a motor manufacturer's authorized station for inspection and repair or replacement. Delta will not be responsible for any asserted defect which has resulted from normal wear, misuse, abuse or repair or alteration made or specifically authorized by anyone other than an authorized Delta service facility or representative. Under no circumstances will Delta be liable for incidental or consequential damages resulting from defective products. This warranty is Delta's sole warranty and sets forth the customer's exclusive remedy, with respect to defective products; all other warranties, express or implied, whether of merchantability, fitness for purpose, or otherwise, are expressly disclaimed by Delta.

## PORTER-CABLE • DELTA SERVICE CENTERS (CENTROS DE SERVICIO DE PORTER-CABLE • DELTA)

Parts and Repair Service for Porter-Cable • Delta Machinery are Available at These Locations  
(Obtenga Refaccion de Partes o Servicio para su Herramienta en los Siguietes Centros de Porter-Cable • Delta)

### ARIZONA

Tempe 85282 (Phoenix)  
2400 West Southern Avenue  
Suite 105  
Phone: (602) 437-1200  
Fax: (602) 437-2200

### CALIFORNIA

Ontario 91761 (Los Angeles)  
3949A East Guasti Road  
Phone: (909) 390-5555  
Fax: (909) 390-5554

San Leandro 94577 (Oakland)  
3039 Teagarden Street  
Phone: (510) 357-9762  
Fax: (510) 357-7939

### COLORADO

Arvada 80003 (Denver)  
8175 Sheridan Blvd., Unit S  
Phone: (303) 487-1809  
Fax: (303) 487-1868

### FLORIDA

Davie 33314 (Miami)  
4343 South State Rd. 7 (441)  
Unit #107  
Phone: (954) 321-6635  
Fax: (954) 321-6638

Tampa 33609  
4538 W. Kennedy Boulevard  
Phone: (813) 877-9585  
Fax: (813) 289-7948

### GEORGIA

Forest Park 30297 (Atlanta)  
5442 Frontage Road,  
Suite 112  
Phone: (404) 608-0006  
Fax: (404) 608-1123

### ILLINOIS

Addison 60101 (Chicago)  
400 South Rohlwing Rd.  
Phone: (630) 424-8805  
Fax: (630) 424-8895  
  
Woodridge 60517 (Chicago)  
2033 West 75th Street  
Phone: (630) 910-9200  
Fax: (630) 910-0360

### MARYLAND

Elkridge 21075 (Baltimore)  
7397-102 Washington Blvd.  
Phone: (410) 799-9394  
Fax: (410) 799-9398

### MASSACHUSETTS

Braintree 02185 (Boston)  
719 Granite Street  
Phone: (781) 848-9810  
Fax: (781) 848-6759

Franklin 02038 (Boston)  
Franklin Industrial Park  
101E Constitution Blvd.  
Phone: (508) 520-8802  
Fax: (508) 528-8089

### MICHIGAN

Madison Heights 48071 (Detroit)  
30475 Stephenson Highway  
Phone: (248) 597-5000  
Fax: (248) 597-5004

### MINNESOTA

Minneapolis 55429  
5522 Lakeland Avenue North  
Phone: (763) 561-9080  
Fax: (763) 561-0653

### MISSOURI

North Kansas City 64116  
1141 Swift Avenue  
P.O. Box 12393  
Phone: (816) 221-2070  
Fax: (816) 221-2897

St. Louis 63119  
7574 Watson Road  
Phone: (314) 968-8950  
Fax: (314) 968-2790

### NEW YORK

Flushing 11365-1595 (N.Y.C.)  
175-25 Horace Harding Expwy.  
Phone: (718) 225-2040  
Fax: (718) 423-9619

### NORTH CAROLINA

Charlotte 28270  
9129 Monroe Road, Suite 115  
Phone: (704) 841-1176  
Fax: (704) 708-4625

### OHIO

Columbus 43214  
4560 Indianola Avenue  
Phone: (614) 263-0929  
Fax: (614) 263-1238

Cleveland 44125  
8001 Sweet Valley Drive  
Unit #19  
Phone: (216) 447-9030  
Fax: (216) 447-3097

### OREGON

Portland 97230  
4916 NE 122 nd Ave.  
Phone: (503) 252-0107  
Fax: (503) 252-2123

### PENNSYLVANIA

Willow Grove 19090  
520 North York Road  
Phone: (215) 658-1430  
Fax: (215) 658-1433

### TEXAS

Carrollton 75006 (Dallas)  
1300 Interstate 35 N, Suite 112  
Phone: (972) 446-2996  
Fax: (972) 446-8157

Houston 77055  
West 10 Business Center  
1008 Wirt Road, Suite 120  
Phone: (713) 682-0334  
Fax: (713) 682-4867

### WASHINGTON

Auburn 98001 (Seattle)  
3320 West Valley HWY, North  
Building D, Suite 111  
Phone: (253) 333-8353  
Fax: (253) 333-9613

Authorized Service Stations are located in many large cities. Telephone **800-438-2486** or **731-541-6042** for assistance locating one. Parts and accessories for Porter-Cable-Delta products should be obtained by contacting any Porter-Cable-Delta Distributor, Authorized Service Center, or Porter-Cable-Delta Factory Service Center. If you do not have access to any of these, call **800-223-7278** and you will be directed to the nearest Porter-Cable-Delta Factory Service Center. Las Estaciones de Servicio Autorizadas están ubicadas en muchas grandes ciudades. Llame al **800-438-2486** ó al **731-541-6042** para obtener asistencia a fin de localizar una. Las piezas y los accesorios para los productos Porter-Cable-Delta deben obtenerse poniéndose en contacto con cualquier distribuidor Porter-Cable-Delta, Centro de Servicio Autorizado o Centro de Servicio de Fábrica Porter-Cable-Delta. Si no tiene acceso a ninguna de estas opciones, llame al **800-223-7278** y le dirigirán al Centro de Servicio de Fábrica Porter-Cable-Delta más cercano.

## CANADIAN PORTER-CABLE • DELTA SERVICE CENTERS

### ALBERTA

Bay 6, 2520-23rd St. N.E.  
Calgary, Alberta  
T2E 8L2  
Phone: (403) 735-6166  
Fax: (403) 735-6144

### BRITISH COLUMBIA

8520 Baxter Place  
Burnaby, B.C.  
V5A 4T8  
Phone: (604) 420-0102  
Fax: (604) 420-3522

### MANITOBA

1699 Dublin Avenue  
Winnipeg, Manitoba  
R3H 0H2  
Phone: (204) 633-9259  
Fax: (204) 632-1976

### ONTARIO

505 Southgate Drive  
Guelph, Ontario  
N1H 6M7  
Phone: (519) 836-2840  
Fax: (519) 767-4131

### QUÉBEC

1515 ave.  
St-Jean Baptiste,  
Québec, Québec  
G2E 5E2  
Phone: (418) 877-7112  
Fax: (418) 877-7123

1447, Begin  
St-Laurent, (Montréal),  
Québec  
H4R 1V8  
Phone: (514) 336-8772  
Fax: (514) 336-3505

The following are trademarks of PORTER-CABLE-DELTA (Las siguientes son marcas registradas de PORTER-CABLE S.A.): BANNER®, INNOVATION THAT WORKS®, JETSTREAM®, LASERLOC®, OMNIJIG®, POCKET CUTTER®, PORTA-BAND®, PORTA-PLANE®, PORTER-CABLE®, QUICKSAND®, SANDTRAP®, SAW BOSS®, SPEED-BLOC®, SPEEDMATIC®, SPEEDTRONIC®, STAIR-EASE®, THE PROFESSIONAL EDGE®, THE PROFESSIONAL SELECT®, TIGER CUB®, TIGER SAW®, TORQBUSTER®, WHISPER SERIES®, DURATRONIC™, FLEX™, FRAME SAW™, MICRO-SET™, MORTEN™, NETWORK™, RIPTIDE™, TRU-MATCH™, WOODWORKER'S CHOICE™, THE AMERICAN WOOD SHOP™ (design), AUTO-SET™, B.O.S.S.™, BUILDER'S SAW™, CONTRACTOR'S SAW™, DELTA™, DELTACRAFT™, HOMECRAFT™, JET-LOCK™, KICKSTAND™, THE LUMBER COMPANY™ (design), MICRO-SET™, Q3™, QUICKSET II™, QUICKSET PLUS™, SAFEGUARD II™, SANDING CENTER™, SIDEKICK™, UNIFENCE™, UNIGUARD™, UNIRIP™, UNISAW™, VERSA-FEEDER™, THIN-LINE™, TPS™, Emc<sup>2</sup>™.

Trademarks noted with ™ and ® are registered in the United States Patent and Trademark Office and may also be registered in other countries. Las Marcas Registradas con el signo de ™ y ® son registradas por la Oficina de Registros y Patentes de los Estados Unidos y también pueden estar registradas en otros países.

Printed in U.S.A.



## Free Manuals Download Website

<http://myh66.com>

<http://usermanuals.us>

<http://www.somanuals.com>

<http://www.4manuals.cc>

<http://www.manual-lib.com>

<http://www.404manual.com>

<http://www.luxmanual.com>

<http://aubethermostatmanual.com>

Golf course search by state

<http://golfingnear.com>

Email search by domain

<http://emailbydomain.com>

Auto manuals search

<http://auto.somanuals.com>

TV manuals search

<http://tv.somanuals.com>