

# ASD-PU-01B

## Digital Keypad / Display

# Instruction Sheet

### 1 General Notes

This instruction sheet will be helpful in the installation and operation of Delta ASD-PU-01B. Before using the product, please read this instruction sheet to ensure correct use. You should thoroughly understand all safety precautions before proceeding with the installation and operation, and place this instruction sheet in a safe location for future reference.

If you do not understand please contact your local Delta sales representative.

Please observe the following precautions:

- Do not use the product in a potentially explosive environment.
- Install the product in a clean and dry location free from corrosive and inflammable gases or liquids.
- Please ensure all wirings are correct. Otherwise, damage, malfunction or inability may result.
- Do not shake, strike, hammer or throw the product. Failure to observe this precaution or perform improper operation may seriously damage the product or cause personal injury.
- Do not damage the cables or/and disassemble the product as doing this will cause electric shock and result in serious injury or damage to the product.

### 2 Safety Precautions

ASD-PU-01B is the specified digital keypad / display used with Delta ASDA-B series servo drives. It is provided with 4 groups built-in memories for saving and writing drive parameters. Also, there are several special function keys: MODE, SHIFT, SET and FUNC (including fast editing, reset, parameter read & write, JOG, servo motor dynamic & static auto-tuning functions) on the keypad and can offer more flexible and convenient operation.

When connecting ASD-PU-01B and ASDBCADK0001 communication cable, if the screws are necessary,  $\varnothing 3 \times 1.06 \times 8$  screws are recommended for use.

Ensure to observe the following precautions when performing unpacking check, installation, wiring and operation.

#### Unpacking Check and Installation

- DANGER** Please ensure that both the digital keypad and servo drive are correctly matched. Failure to observe this precaution may cause damage, malfunction or inability.
- Do not install the product in a location that is outside the stated specification for the digital keypad and servo drive. Failure to observe this caution may cause fire, seriously damage the digital keypad and servo drive or cause personal injury.

#### Wiring

- WARNING** Please pay close attention on the connectors and wire terminations. Ensure all wirings are correct and secure. Otherwise, damage, malfunction or inability may result.

#### Operation

- STOP** Do not shake, strike, hammer or throw the product. Failure to observe this precaution or perform improper operation may seriously damage the product or cause personal injury.

#### Maintenance and Inspection

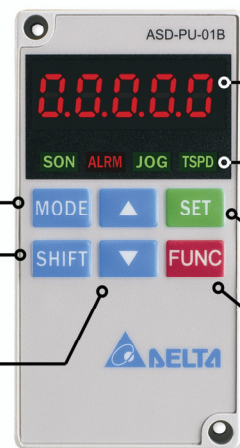
- STOP** Do not damage the cables. Never disassemble the product. Doing this will cause electric shock and result in serious injury or damage to the product.

### 3 ASD-PU-01B Features

**MODE Key**  
Enter or exit different parameter groups, and switch between Parameter mode and Parameter Setting mode, SAVE mode and WRITE mode.

**SHIFT Key**  
In Parameter mode, it can be used to change parameter groups. In Parameter Setting mode and SAVE mode, it can be used to move the cursor to the left and change parameter settings (blinking).

**UP and Down Key**  
Scroll through, set and change monitor codes, parameter groups and various parameter settings. In SAVE and WRITE mode, they are used to change the memory groups. In SAVE mode, they are used to set the memory file name also.



**LED Display**  
5-digit LED display  
Display monitor codes, parameter settings and operation values.

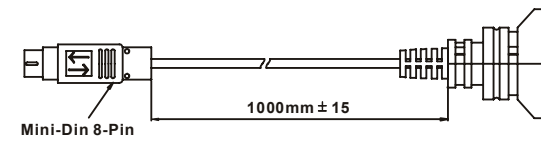
**Status Display**  
SON LED (Servo ON)  
ALARM LED (Alarm output is activated)  
JOG LED (JOG operation)  
TSPD LED (Target speed is reached)

**SET Key**  
Select, display and save parameter groups and various parameter settings.

**Function Key**  
Provide the following special functions:  
JOG operation mode, Fast editing, Reset, Parameter Read & Write, Servo Motor Static and Dynamic auto-tuning.

### 4 Communication Cable (Connecting a Keypad to a ASDA-B)

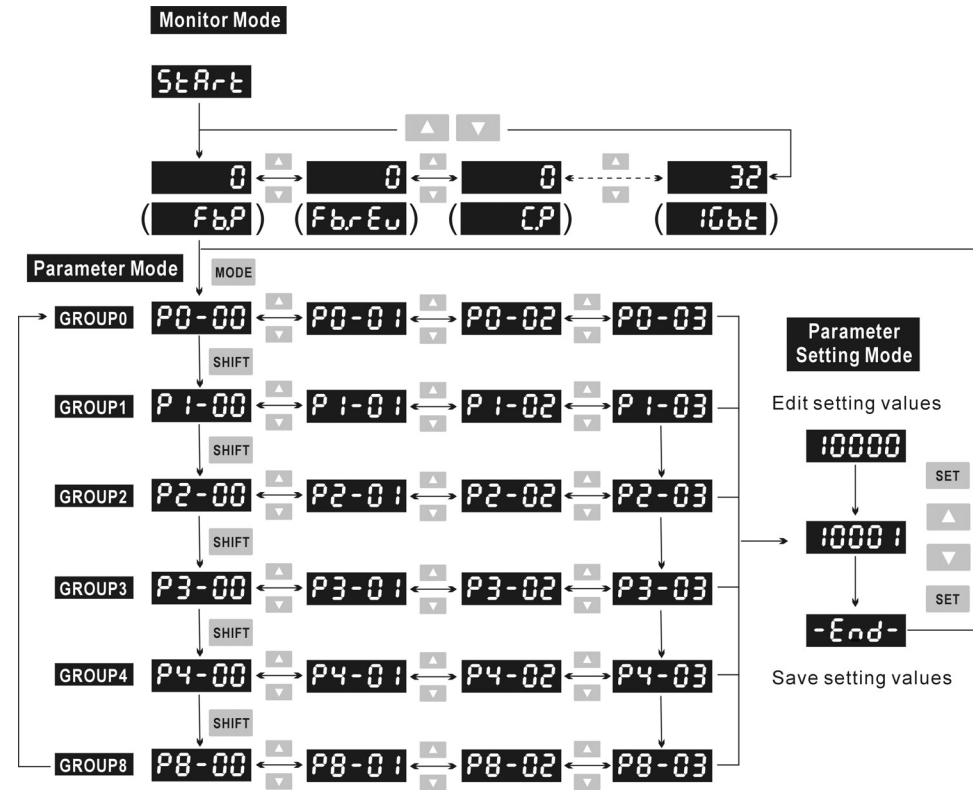
Delta Part Number: ASDBCADK0001



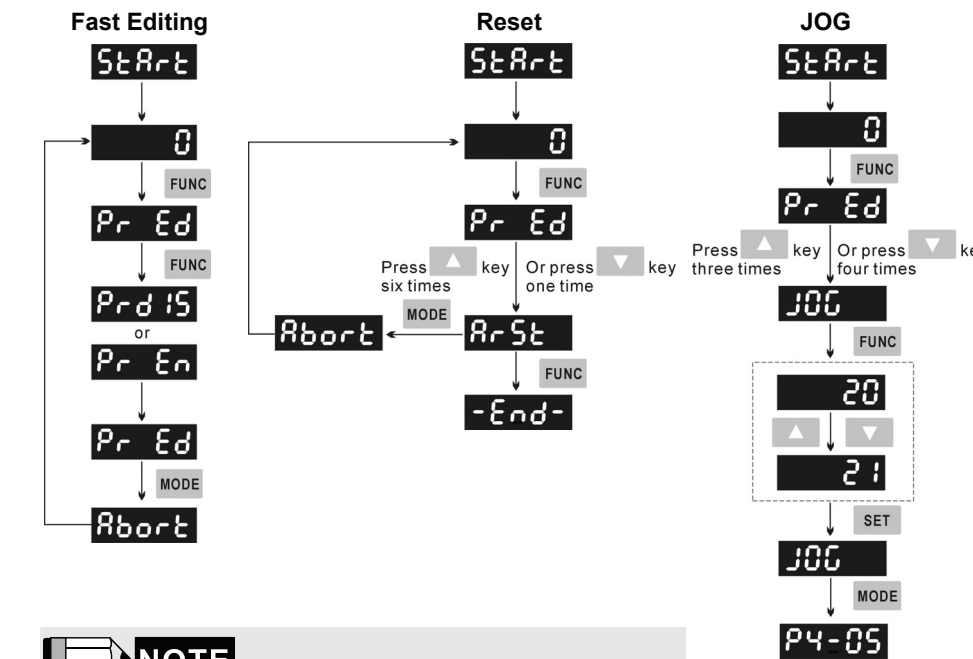
Title	Part No.	Manufacturer
BoxHeader	3071420300	DELTA
Cover	3140311100	DELTA
Housing	2541-K-14PD	JAWS
Terminal	2541-T-G	JAWS

### 5 ASD-PU-01B Display Flowchart

#### Monitor Mode, Parameter Mode and Parameter Setting Mode

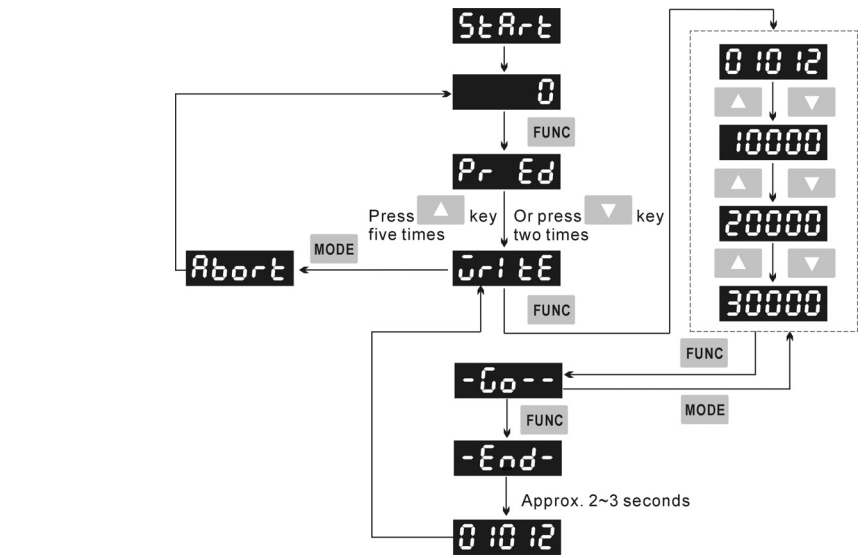


#### FUNC Display Flowchart

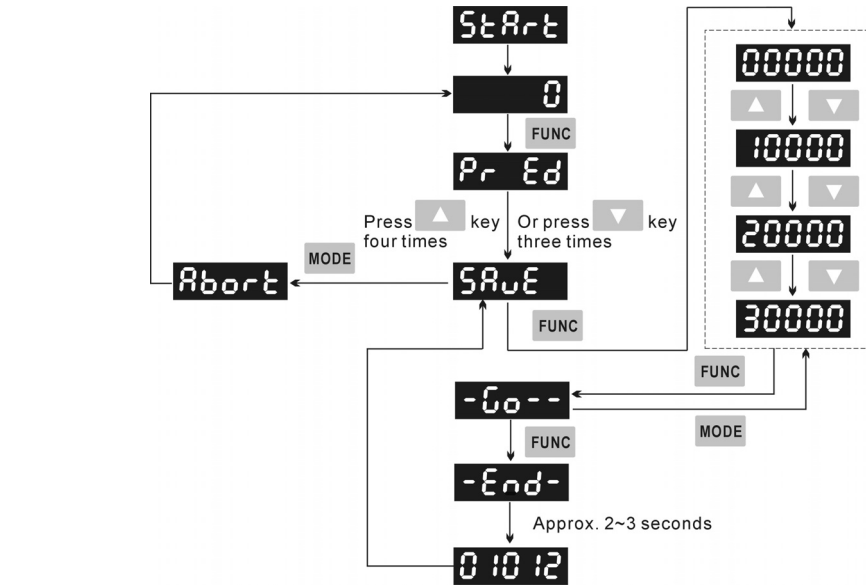


**NOTE**  
If the user press **MODE** key to exit **FUNC** mode, when entering **FUNC** mode next time, the code of the last operation mode that the user used last time will show on the LED display.

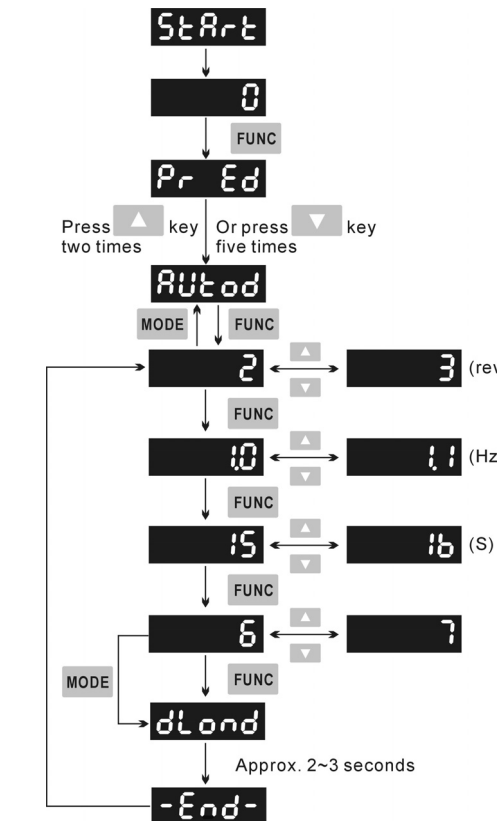
#### Parameter Write Mode (Parameter settings written out to the Drive)



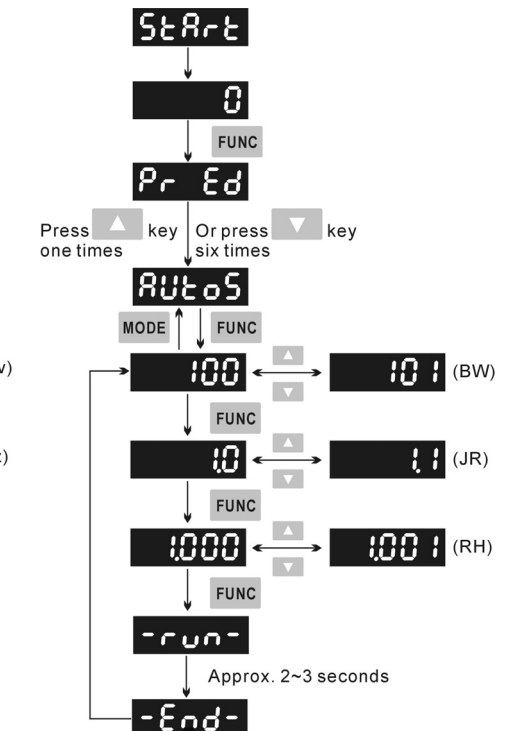
#### Parameter Save Mode (Save parameter settings to the Keypad)



#### Servo Motor Dynamic Auto-tuning



#### Servo Motor Static Auto-tuning



## Free Manuals Download Website

<http://myh66.com>

<http://usermanuals.us>

<http://www.somanuals.com>

<http://www.4manuals.cc>

<http://www.manual-lib.com>

<http://www.404manual.com>

<http://www.luxmanual.com>

<http://aubethermostatmanual.com>

Golf course search by state

<http://golfingnear.com>

Email search by domain

<http://emailbydomain.com>

Auto manuals search

<http://auto.somanuals.com>

TV manuals search

<http://tv.somanuals.com>