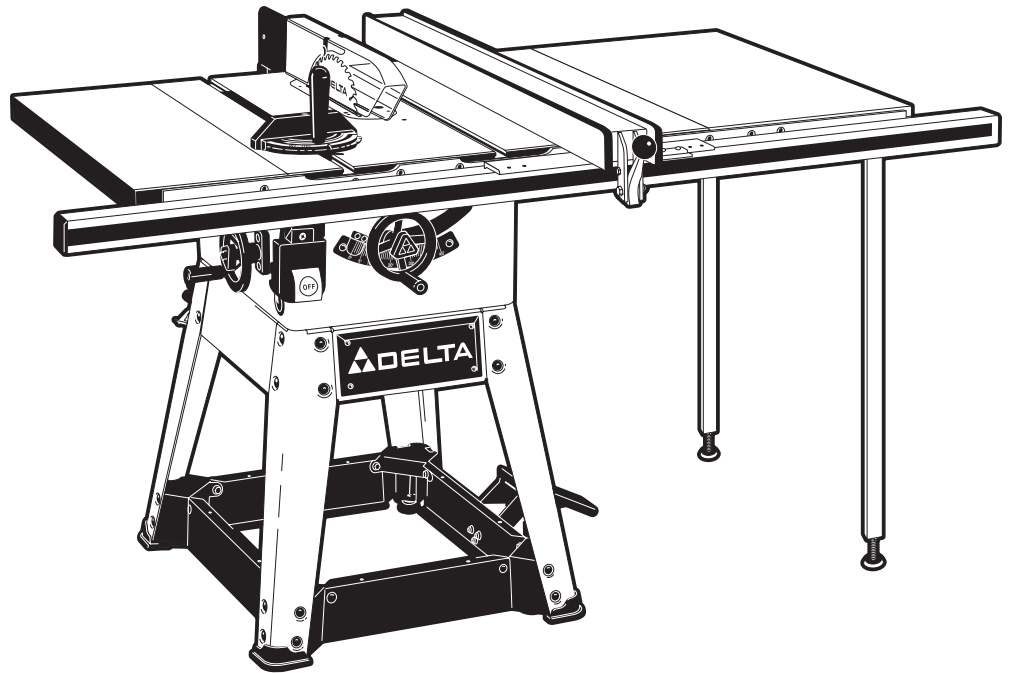


10" (254 mm) Left Tilt CONTRACTOR'S SAW®

CONTRACTOR'S
SAW® - Sierra para
constructores de
254 mm (10 pulg)
inclinable a la
izquierda

Scie d'entrepreneur
CONTRACTOR'S
SAW^{MD} de 254 mm
(10 po) avec
inclinaison à
gauche



Shown with optional Beisemeyer Fence

Instruction Manual
Manuel d'Utilisation
Manual de Instrucciones

ESPAÑOL (37)

FRANÇAIS (73)

www.deltamachinery.com

(800) 223-7278 - US

(800) 463-3582 - CANADA

TABLE OF CONTENTS

IMPORTANT SAFETY INSTRUCTIONS.....	2
SAFETY GUIDELINES.....	3
TOOL WARNING LABELS.....	3
GENERAL SAFETY RULES.....	4
ADDITIONAL SPECIFIC SAFETY RULES.....	5
FUNCTIONAL DESCRIPTION.....	8
CARTON CONTENTS.....	8
ASSEMBLY.....	10
OPERATION.....	19
TROUBLESHOOTING.....	31
MAINTENANCE.....	33
SERVICE.....	34
ACCESSORIES.....	34
WARRANTY.....	34
FRANÇAIS.....	35
ESPAÑOL.....	67

IMPORTANT SAFETY INSTRUCTIONS

▲ WARNING Read and understand all warnings and operating instructions before using any tool or equipment. Always follow basic safety precautions to reduce the risk of personal injury. Improper operation, maintenance, or modification of tools or equipment could result in serious injury and property damage. Our tools and equipment are designed for certain applications. DO NOT modify and/or use this product for any application other than for which it was designed.

If you have any questions relative to its application, DO NOT use the product until you have contacted Delta Machinery and we have advised you.

Online contact form at www.deltamachinery.com

Postal Mail: Technical Service Manager
Delta Machinery
4825 Highway 45 North
Jackson, TN 38305
(IN CANADA: 125 Mural St. Suite 300, Richmond Hill, ON, L4B 1M4)

Information regarding the safe and proper operation of this tool is available from the following sources:

Power Tool Institute
1300 Sumner Avenue, Cleveland, OH 44115-2851
www.powertoolinstitute.org

National Safety Council
1121 Spring Lake Drive, Itasca, IL 60143-3201

American National Standards Institute, 25 West 43rd Street, 4 floor, New York, NY 10036 www.ansi.org
ANSI 01.1 Safety Requirements for Woodworking Machines, and

The U.S. Department of Labor regulations www.osha.gov

SAVE THESE INSTRUCTIONS!

SAFETY GUIDELINES

It is important for you to read and understand this manual. The information it contains relates to protecting YOUR SAFETY and PREVENTING PROBLEMS. The symbols below are used to help you recognize this information.

- ⚠ DANGER:** Indicates an imminently hazardous situation which, if not avoided, will result in death or serious injury.
- ⚠ WARNING:** Indicates a potentially hazardous situation which, if not avoided, could result in death or serious injury.
- ⚠ CAUTION:** Indicates a potentially hazardous situation which, if not avoided, may result in minor or moderate injury.
- CAUTION:** Used without the safety alert symbol indicates potentially hazardous situation which, if not avoided, may result in property damage.

CALIFORNIA PROPOSITION 65

⚠ WARNING: SOME DUST CREATED BY POWER SANDING, SAWING, GRINDING, DRILLING, AND OTHER CONSTRUCTION ACTIVITIES contains chemicals known to cause cancer, birth defects or other reproductive harm. Some examples of these chemicals are:

- lead from lead-based paints,
- crystalline silica from bricks and cement and other masonry products, and
- arsenic and chromium from chemically-treated lumber.

Your risk from these exposures varies, depending on how often you do this type of work. To reduce your exposure to these chemicals: work in a well ventilated area, and work with approved safety equipment, always wear NIOSH/OSHA approved, properly fitting face mask or respirator when using such tools.

TOOL WARNING LABELS

Before use, read the warning labels located on the saw. Also read any warning labels that are included with the fence installed on the saw. If the warning labels identified below are illegible or missing from the saw, contact Delta Customer Service for free replacements. (The contact information is listed in the "SERVICE" section of this manual.)

⚠ WARNING	⚠ ADVERTENCIA	⚠ AVERTISSEMENT
<p>FOR YOUR OWN SAFETY</p> <ol style="list-style-type: none"> 1. READ AND UNDERSTAND INSTRUCTION MANUAL BEFORE OPERATING TABLE SAW. 2. Always wear eye protection. 3. Always use blade guard and splitter for every operation for which it can be used including all through sawing. 4. Keep hands out of path of the line of the saw blade. 5. Use push stick when required. 6. Do not perform any operation free hand. Use fence when ripping and miter gauge when cross-cutting. Never use the miter gauge and rip fences together. 7. Know how to avoid risk of kickback. 8. Never reach in back of or over saw blade. 9. Do not remove jammed or cut-off pieces until blade has stopped. 10. Disconnect machine from power source before making repairs or adjustments. 11. Do not expose to rain or use in damp locations. 12. When using this tool, do not wear gloves, neckties, jewelry or loose clothing. 13. Wear protective hair covering to contain long hair. 14. Tighten the blade arbor nut securely before operating. 15. Do not use the machine when you are tired or under the influence of drugs, alcohol, or medication. 16. Do not operate saw with the foot lever casted in the down position. 17. Failure to follow these safety rules may result in serious personal injury. 	<p>PARA SU PROPIA SEGURIDAD</p> <ol style="list-style-type: none"> 1. LEA Y COMPRENDA EL MANUAL DE INSTRUCCIONES ANTES DE UTILIZAR LA SIERRA DE MESA. 2. Siempre utilice protección para los ojos. 3. Utilice siempre el ensamblaje del protector de la hoja y el hendedor para cualquier operación en la que se pueda utilizar, excluidos todos los cortes con sierra. 4. Mantenga las manos alejadas del trayecto de la hoja de la sierra. 5. Utilice la vara para empujar cuando sea necesario. 6. No realice ninguna operación sin usar las manos. Utilice la guía de corte conjuntamente. 7. Sepa cómo evitar el riesgo de retrocesos. 8. Nunca se extienda para alcanzar algo detrás sobre la hoja de la sierra. 9. No retire piezas atascadas o cortadas hasta que la hoja se haya detenido. 10. Desconecte la máquina de la fuente de energía antes de realizar reparaciones o ajustes. 11. No exponga a la lluvia ni utilice en lugares húmedos. 12. No utilice guantes, corbatas alhajas ni ropa holgada cuando use esta herramienta. 13. Si tiene el cabello largo, recójalo y cúbralo. 14. Ajuste bien la tuerca de eje de la hoja antes de operar la sierra. 15. No utilice la máquina si está cansado, o bajo el efecto de drogas, alcohol o medicamentos. 16. No opere la sierra cuando la rueda de la patá niveladora esté en la posición hacia abajo. 17. El incumplimiento de estas normas de seguridad puede provocar daños personales graves. 	<p>POUR VOTRE PROPRE SÉCURITÉ</p> <ol style="list-style-type: none"> 1. BIEN LIRE ET COMPRENDRE LE MODE D'EMPLOI AVANT D'UTILISER LE BANC DE SCIE. 2. Toujours porter une protection oculaire. 3. Toujours utiliser un pare-main et un couteau séparateur pour toutes les opérations demandant son utilisation, y compris tout débitage complet. 4. Garder les mains hors de la trajectoire de la lame de la scie. 5. Utiliser un poussoir au besoin. 6. Effectuer toute opération en tenant l'outil des deux mains. Utiliser la guide longitudinal pour le sciage en long et la jauge à onglet pour le tronçonnage. Ne jamais utiliser ni jauge à onglet et la guide longitudinale en même temps. 7. Connaître les techniques pour empêcher le risque associé à l'effet de rebond. 8. Ne jamais passer les mains à l'arrière ou au-dessus de la lame de la scie. 9. Ne pas retirer les pièces coupées ou coincées avant l'arrêt complet de la lame. 10. Débrancher la machine de la source d'alimentation avant d'effectuer des réparations ou des réglages. 11. Ne pas exposer la scie à la pluie et ne pas l'utiliser dans un endroit humide. 12. Lors de l'utilisation de cet outil, ne pas porter ni gant, ni cravates, ni bijoux ou vêtements amples. 13. Se couvrir les cheveux s'ils sont longs. 14. Serrer solidement l'écrou d'axe de la lame avant de l'utiliser. 15. Ne pas utiliser la machine en cas de fatigue ou sous l'influence de drogues, d'alcool ou de médicaments. 16. Ne pas utiliser la scie avec la commande à pieds des roulettes en position basse. 17. Éviter de relever tous ces règles de sécurité tout entières.

⚠ WARNING	⚠ ADVERTENCIA	⚠ AVERTISSEMENT
<p>TO PREVENT KICKBACK, USE THE BLADE GUARD AND SPLITTER FOR ALL THROUGH SAWING. KEEP HANDS OUT OF THE LINE OF THE SAWBLADE. USE A PUSHSTICK AND FEATHERBOARDS WHEN REQUIRED.</p>	<p>PARA PREVENIR EL RETROCESO, UTILICE EL PROTECTOR DE LA HOJA Y EL HENDEDOR PARA TODOS LOS CORTES CON SIERRA. MANTENGA LAS MANOS ALEJADAS DEL TRAYECTO DE LA HOJA DE LA SIERRA. UTILICE LA VARA PARA EMPUJAR Y TABLAS DE CANTO BISELADO CUANDO SEA NECESARIO.</p>	<p>POUR EMPÊCHER TOUT EFFET DE REBOND, UTILISER LE PARE-MAIN ET LE COUTEAU SÉPARATEUR POUR TOUT DÉBITAGE COMPLET. GARDER LES MAINS HORS DE LA TRAJECTOIRE DE LA LAME DE LA SCIE. UTILISER UN POUSSOIR ET DES PLANCHES EN ÉVENTAIL AU BESOIN.</p>

GENERAL SAFETY RULES



⚠ WARNING: READ AND UNDERSTAND ALL WARNINGS AND OPERATING INSTRUCTIONS BEFORE USING THIS EQUIPMENT. Failure to follow all instructions listed below, may result in electric shock, fire, and/or serious personal injury or property damage.

IMPORTANT SAFETY INSTRUCTIONS

- FOR YOUR OWN SAFETY, READ THE INSTRUCTION MANUAL BEFORE OPERATING THE MACHINE.** Learning the machine's application, limitations, and specific hazards will greatly minimize the possibility of accidents and injury.
- WEAR EYE AND HEARING PROTECTION. ALWAYS USE SAFETY GLASSES.** Everyday eyeglasses are NOT safety glasses. USE CERTIFIED SAFETY EQUIPMENT. Eye protection equipment should comply with ANSI Z87.1 standards. Hearing equipment should comply with ANSI S3.19 standards.
- WEAR PROPER APPAREL.** Do not wear loose clothing, gloves, neckties, rings, bracelets, or other jewelry which may get caught in moving parts. Nonslip protective footwear is recommended. Wear protective hair covering to contain long hair.
- DO NOT USE THE MACHINE IN A DANGEROUS ENVIRONMENT.** The use of power tools in damp or wet locations or in rain can cause shock or electrocution. Keep your work area well-lit to prevent tripping or placing arms, hands, and fingers in danger.
- MAINTAIN ALL TOOLS AND MACHINES IN PEAK CONDITION.** Keep tools sharp and clean for best and safest performance. Follow instructions for lubricating and changing accessories. Poorly maintained tools and machines can further damage the tool or machine and/or cause injury.
- CHECK FOR DAMAGED PARTS.** Before using the machine, check for any damaged parts. Check for alignment of moving parts, binding of moving parts, breakage of parts, and any other conditions that may affect its operation. A guard or any other part that is damaged should be properly repaired or replaced with Delta or factory authorized replacement parts. Damaged parts can cause further damage to the machine and/or injury.
- KEEP THE WORK AREA CLEAN.** Cluttered areas and benches invite accidents.
- KEEP CHILDREN AND VISITORS AWAY.** Your shop is a potentially dangerous environment. Children and visitors can be injured.
- REDUCE THE RISK OF UNINTENTIONAL STARTING.** Make sure that the switch is in the "OFF" position before plugging in the power cord. In the event of a power failure, move the switch to the "OFF" position. An accidental start-up can cause injury. Do not touch the plug's metal prongs when unplugging or plugging in the cord.
- USE THE GUARDS.** Check to see that all guards are in place, secured, and working correctly to prevent injury.
- REMOVE ADJUSTING KEYS AND WRENCHES BEFORE STARTING THE MACHINE.** Tools, scrap pieces, and other debris can be thrown at high speed, causing injury.
- USE THE RIGHT MACHINE.** Don't force a machine or an attachment to do a job for which it was not designed. Damage to the machine and/or injury may result.
- USE RECOMMENDED ACCESSORIES.** The use of accessories and attachments not recommended by Delta may cause damage to the machine or injury to the user.
- USE THE PROPER EXTENSION CORD.** Make sure your extension cord is in good condition. When using an extension cord, be sure to use one heavy enough to carry the current your product will draw. An undersized cord will cause a drop in line voltage, resulting in loss of power and overheating. See the Extension Cord Chart for the correct size depending on the cord length and nameplate ampere rating. If in doubt, use the next heavier gauge. The smaller the gauge number, the heavier the cord.
- SECURE THE WORKPIECE.** Use clamps or a vise to hold the workpiece when practical. Loss of control of a workpiece can cause injury.
- FEED THE WORKPIECE AGAINST THE DIRECTION OF THE ROTATION OF THE BLADE, CUTTER, OR ABRASIVE SURFACE.** Feeding it from the other direction will cause the workpiece to be thrown out at high speed.
- DON'T FORCE THE WORKPIECE ON THE MACHINE.** Damage to the machine and/or injury may result.
- DON'T OVERREACH.** Loss of balance can make you fall into a working machine, causing injury.
- NEVER STAND ON THE MACHINE.** Injury could occur if the tool tips, or if you accidentally contact the cutting tool.
- NEVER LEAVE THE MACHINE RUNNING UNATTENDED. TURN THE POWER OFF.** Don't leave the machine until it comes to a complete stop. A child or visitor could be injured.
- TURN THE MACHINE "OFF", AND DISCONNECT THE MACHINE FROM THE POWER SOURCE** before installing or removing accessories, changing cutters, adjusting or changing set-ups. When making repairs, be sure to lock the start switch in the "OFF" position. An accidental start-up can cause injury.
- MAKE YOUR WORKSHOP CHILDPROOF WITH PADLOCKS, MASTER SWITCHES, OR BY REMOVING STARTER KEYS.** The accidental start-up of a machine by a child or visitor could cause injury.
- STAY ALERT, WATCH WHAT YOU ARE DOING, AND USE COMMON SENSE. DO NOT USE THE MACHINE WHEN YOU ARE TIRED OR UNDER THE INFLUENCE OF DRUGS, ALCOHOL, OR MEDICATION.** A moment of inattention while operating power tools may result in injury.
- ⚠ WARNING:** USE OF THIS TOOL CAN GENERATE AND DISBURSE DUST OR OTHER AIRBORNE PARTICLES, INCLUDING WOOD DUST, CRYSTALLINE SILICA DUST AND ASBESTOS DUST. Direct particles away from face and body. Always operate tool in well ventilated area and provide for proper dust removal. Use dust collection system wherever possible. Exposure to the dust may cause serious and permanent respiratory or other injury, including silicosis (a serious lung disease), cancer, and death. Avoid breathing the dust, and avoid prolonged contact with dust. Allowing dust to get into your mouth or eyes, or lay on your skin may promote absorption of harmful material. Always use properly fitting NIOSH/OSHA approved respiratory protection appropriate for the dust exposure, and wash exposed areas with soap and water.

ADDITIONAL SPECIFIC SAFETY RULES

⚠ WARNING: FAILURE TO FOLLOW THESE RULES MAY RESULT IN SERIOUS PERSONAL INJURY.

- DO NOT OPERATE THIS MACHINE** until it is assembled and installed according to the instructions.
- OBTAIN ADVICE FROM YOUR SUPERVISOR, instructor, or another qualified person** if you are not familiar with the operation of this machine.
- FOLLOW ALL WIRING CODES** and recommended electrical connections.
- ALWAYS USE GUARDS, SPLITTER, AND ANTI-KICKBACK PAWLS** whenever possible, including through sawing. Check to see that they are in place, secured and working correctly. Test the anti-kickback pawl action before ripping by pushing the wood under the anti-kickback teeth. The teeth must prevent the wood from being thrown toward the front of the saw.
- CUTTING THE WORKPIECE WITHOUT THE USE OF A FENCE OR MITER GAUGE IS KNOWN AS "FREEHAND" CUTTING. NEVER** perform "free-hand" operations. Use either the fence or miter gauge to position and guide the workpiece.
- HOLD THE WORKPIECE FIRMLY** against the miter gauge or fence.
- CUTTING COMPLETELY THROUGH THE WORK-PIECE IS KNOWN AS "THROUGH-SAWING".** Ripping and cross-cutting are through-sawing operations. Cutting with the grain is ripping. Use a fence or fence system for ripping. NEVER use a miter gauge for ripping. Use push sticks for ripping a narrow workpiece. Cutting across the grain is cross-cutting. Never use a fence or fence system for cross-cutting. Instead, use a miter gauge.
- KICKBACK IS THE NATURAL TENDENCY OF THE WORKPIECE TO BE THROWN BACK AT THE OPERATOR** when the workpiece initially contacts the blade or if the workpiece pinches the blade. Kickback is dangerous and can result in serious injury.
AVOID KICKBACK by:
 - keeping blade sharp and free of rust and pitch.
 - keeping rip fence parallel to the saw blade.
 - using saw blade guard and splitter for every possible operation, including all through sawing.
 - keeping splitter aligned with sawblade.
 - keeping the anti-kickback pawls in place and sharpened.
 - pushing the workpiece past the saw blade prior to release.
 - never ripping a workpiece that is twisted or warped, or does not have a straight edge to guide along the fence.
 - using featherboards when the anti-kickback device or the guard and splitter cannot be used.
 - never sawing a large workpiece that cannot be controlled.
 - never using the fence as a guide when crosscutting.
 - never sawing a workpiece with loose knots, flaws, nails or other foreign objects.
 - never ripping a workpiece shorter than 10".
- USE THE CORRECT SAWBLADE FOR THE INTENDED OPERATION.** The blade must rotate toward the front of the saw. Always tighten the blade arbor nut securely. Before use, inspect the blade for cracks or missing teeth. Do not use a damaged blade.
- NEVER USE ABRASIVE WHEELS** on this saw.
- DO NOT CUT METAL WITH THIS SAW.**
- REMOVE CUT-OFF PIECES AND SCRAPS** from the table before starting the saw. The vibration of the machine may cause them to move into the saw blade and be thrown out.
- CUT-OFF PIECES CAN BE THROWN BACK AT THE OPERATOR.** For large cut-off pieces, use a push stick to push the piece past the blade and off the back of the saw table. Do not reach across sawblade. Be careful that small pieces do not contact the blade.
- NEVER ATTEMPT TO FREE A STALLED SAW BLADE WITHOUT FIRST TURNING THE MACHINE OFF.** If a workpiece or cut-off piece becomes trapped inside the guard, turn saw off and wait for blade to stop before lifting the guard and removing the piece.
- NEVER START THE MACHINE** with the workpiece against the blade.
- NEVER** run the workpiece between the fence and a moulding cutterhead.
- KEEP ARMS, HANDS, AND FINGERS** away from the blade. Use a push stick to push small workpieces through the saw. A push stick is a small wooden stick, usually homemade, that should be used whenever the size or shape of the workpiece would cause you to place your hands within six inches of the blade. See "CONSTRUCTING A PUSH STICK" in the back of this manual for guidance on making your own.
- AVOID AWKWARD OPERATIONS AND HAND POSITIONS** where a sudden slip could cause a hand to move into the blade.
- NEVER** have any part of your body in line with the path of the saw blade.
- NEVER REACH AROUND** or over the saw blade.
- PROPERLY SUPPORT LONG (3 feet or longer) OR WIDE (36" or wider) WORKPIECES.** If extension tables wider than 24" are attached to the saw, bolt the saw stand to the floor, or use a sturdy outrigger support to prevent tipping.
- PREVENT MOTION OF THE SAW WHILE IN USE.** If the mobility kit is installed, lower the foot pedal and level the feet so the saw does not rock, walk, slide or tip. If necessary, secure the stand to the floor.
- NEVER PERFORM LAYOUT, assembly or set-up work** on the table/work area when the machine is running.
- TURN THE MACHINE "OFF" AND DISCONNECT THE MACHINE** from the power source before installing or removing accessories, changing the sawblade, or adjusting or changing set-ups. Lock switch in the "OFF" position when making repairs.
- CLEAN THE TABLE/WORK AREA BEFORE LEAVING THE MACHINE.** Lock the switch in the "OFF" position to prevent unauthorized use.
- ADDITIONAL INFORMATION** regarding the safe and proper operation of power tools (i.e. a safety video) is available from the Power Tool Institute, 1300 Sumner Avenue, Cleveland, OH 44115-2851 (www.powertoolinstitute.com). Information is also available from the National Safety Council, 1121 Spring Lake Drive, Itasca, IL 60143-3201. Please refer to the American National Standards Institute ANSI O1.1 Safety Requirements for Woodworking Machines and the U.S. Department of Labor OSHA 1910.213 Regulations.

⚠ WARNING: SOME MATERIALS ARE TOO HARD AND SLIPPERY FOR THE ANTI-KICKBACK PAWLS TO BE EFFECTIVE. Plastic and composites (like hardboard) may be cut on your saw, but be especially attentive to following proper set-up and cutting procedures to prevent any kickbacks when cutting these materials.

SAVE THESE INSTRUCTIONS. Refer to them often and use them to instruct others.

POWER CONNECTIONS

A separate electrical circuit should be used for your machines. This circuit should not be less than #12 wire and should be protected with a 20 Amp time lag fuse. If an extension cord is used, use only 3-wire extension cords which have 3-prong grounding type plugs and matching receptacle which will accept the machine's plug. Before connecting the machine to the power line, make sure the switch (s) is in the "OFF" position and be sure that the electric current is of the same characteristics as indicated on the machine. All line connections should make good contact. Running on low voltage will damage the machine.

⚠ DANGER: Do not expose the machine to rain or operate the machine in damp locations.

MOTOR SPECIFICATIONS

Your machine is wired for 120/240 Volt, 60 HZ alternating current. Before connecting the machine to the power source, make sure the switch is in the "OFF" position.

GROUNDING INSTRUCTIONS

⚠ DANGER: This machine must be grounded while in use to protect the operator from electric shock.

1. All grounded, cord-connected machines:

In the event of a malfunction or breakdown, grounding provides a path of least resistance for electric current to reduce the risk of electric shock. This machine is equipped with an electric cord having an equipment-grounding conductor and a grounding plug. The plug must be plugged into a matching outlet that is properly installed and grounded in accordance with all local codes and ordinances.

Do not modify the plug provided - if it will not fit the outlet, have the proper outlet installed by a qualified electrician.

Improper connection of the equipment-grounding conductor can result in risk of electric shock. The conductor with insulation having an outer surface that is green with or without yellow stripes is the equipment-grounding conductor. If repair or replacement of the electric cord or plug is necessary, do not connect the equipment-grounding conductor to a live terminal.

Check with a qualified electrician or service personnel if the grounding instructions are not completely understood, or if in doubt as to whether the machine is properly grounded.

Use only 3-wire extension cords that have 3-prong grounding type plugs and matching 3-conductor receptacles that accept the machine's plug, as shown in Fig. A.

Repair or replace damaged or worn cord immediately.

2. Grounded, cord-connected machines intended for use on a supply circuit having a nominal rating less than 150 volts:

If the machine is intended for use on a circuit that has an outlet that looks like the one illustrated in Fig. A, the machine will have a grounding plug that looks like the plug illustrated in Fig. A. A temporary adapter, which looks like the adapter illustrated in Fig. B may be used to connect this plug to a matching 2-conductor receptacle as shown in Fig. B if a properly grounded outlet is not available. The temporary adapter should be used only until a properly grounded outlet can be installed by a qualified electrician. The green-colored rigid ear, lug, and the like, extending from the adapter must be connected to a permanent ground such as a properly grounded outlet box. Whenever the adapter is used, it must be held in place with a metal screw.

NOTE: In Canada, the use of a temporary adapter is not permitted by the Canadian Electric Code.

⚠ DANGER: In all cases, make certain that the receptacle in question is properly grounded. If you are not sure, have a qualified electrician check the receptacle.

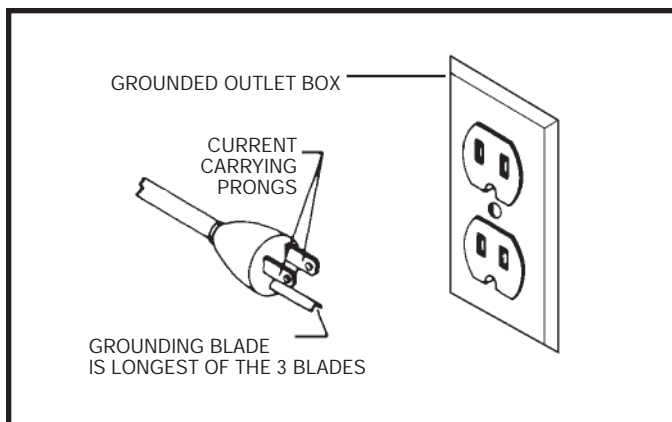


Fig. A

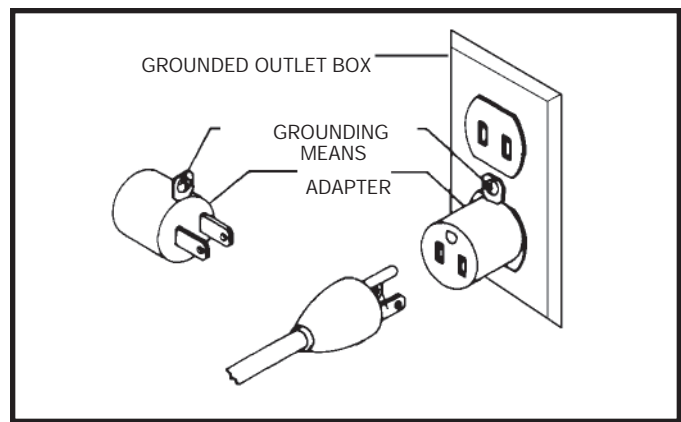


Fig. B

3. 240 VOLT SINGLE PHASE OPERATION

The motor supplied with your machine is a dual voltage, 120/240 volt motor. It is shipped ready-to-run for 120 volt operation. However, it can be converted for 240 volt operation.

A qualified electrician should do the conversion, or the machine can be taken to an Authorized Delta Service Center. When completed, the machine must conform to the National Electric Code and all local codes and ordinances.

The machine is converted by re-wiring the motor for 240 volts, installing a 240 volt plug on the power supply cord and replacing the switch (if necessary) with one that is rated for 240 volt operation.

Be sure the 240 volt plug is only used in an outlet having the same configuration as the plug illustrated in Fig. C. No adapter should be used with the 240 volt plug.

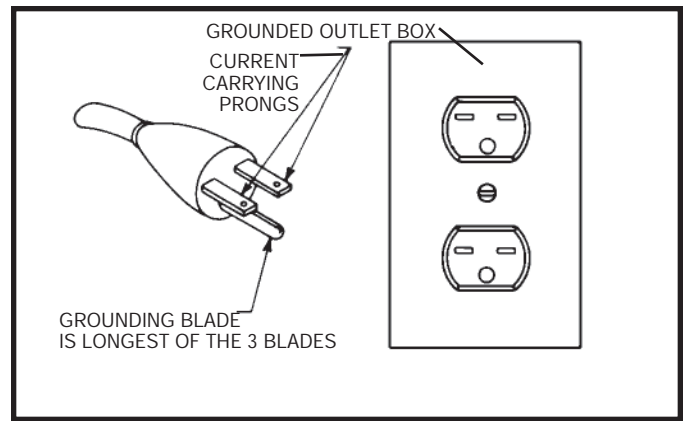


Fig. C

⚠ DANGER: In all cases, make certain that the receptacle in question is properly grounded. If you are not sure, have a qualified electrician check the receptacle.

EXTENSION CORDS

⚠ WARNING Use proper extension cords. Make sure your extension cord is in good condition and is a 3-wire extension cord which has a 3-prong grounding type plug and matching receptacle which will accept the machine's plug. When using an extension cord, be sure to use one heavy enough to carry the current of the machine. An undersized cord will cause a drop in line voltage, resulting in loss of power and overheating. Fig. D-1 or D-2, shows the correct gauge to use depending on the cord length. If in doubt, use the next heavier gauge. The smaller the gauge number, the heavier the cord.

MINIMUM GAUGE EXTENSION CORD			
RECOMMENDED SIZES FOR USE WITH STATIONARY ELECTRIC MACHINES			
Ampere Rating	Volts	Total Length of Cord in Feet	Gauge of Extension Cord
0-6	120	up to 25	18 AWG
0-6	120	25-50	16 AWG
0-6	120	50-100	16 AWG
0-6	120	100-150	14 AWG
6-10	120	up to 25	18 AWG
6-10	120	25-50	16 AWG
6-10	120	50-100	14 AWG
6-10	120	100-150	12 AWG
10-12	120	up to 25	16 AWG
10-12	120	25-50	16 AWG
10-12	120	50-100	14 AWG
10-12	120	100-150	12 AWG
12-16	120	up to 25	14 AWG
12-16	120	25-50	12 AWG
12-16	120	GREATER THAN 50 FEET NOT RECOMMENDED	

Fig. D-1

MINIMUM GAUGE EXTENSION CORD			
RECOMMENDED SIZES FOR USE WITH STATIONARY ELECTRIC MACHINES			
Ampere Rating	Volts	Total Length of Cord in Feet	Gauge of Extension Cord
0-6	240	up to 50	18 AWG
0-6	240	50-100	16 AWG
0-6	240	100-200	16 AWG
0-6	240	200-300	14 AWG
6-10	240	up to 50	18 AWG
6-10	240	50-100	16 AWG
6-10	240	100-200	14 AWG
6-10	240	200-300	12 AWG
10-12	240	up to 50	16 AWG
10-12	240	50-100	16 AWG
10-12	240	100-200	14 AWG
10-12	240	200-300	12 AWG
12-16	240	up to 50	14 AWG
12-16	240	50-100	12 AWG
12-16	240	GREATER THAN 100 FEET NOT RECOMMENDED	

Fig. D-2

FUNCTIONAL DESCRIPTION

FOREWORD

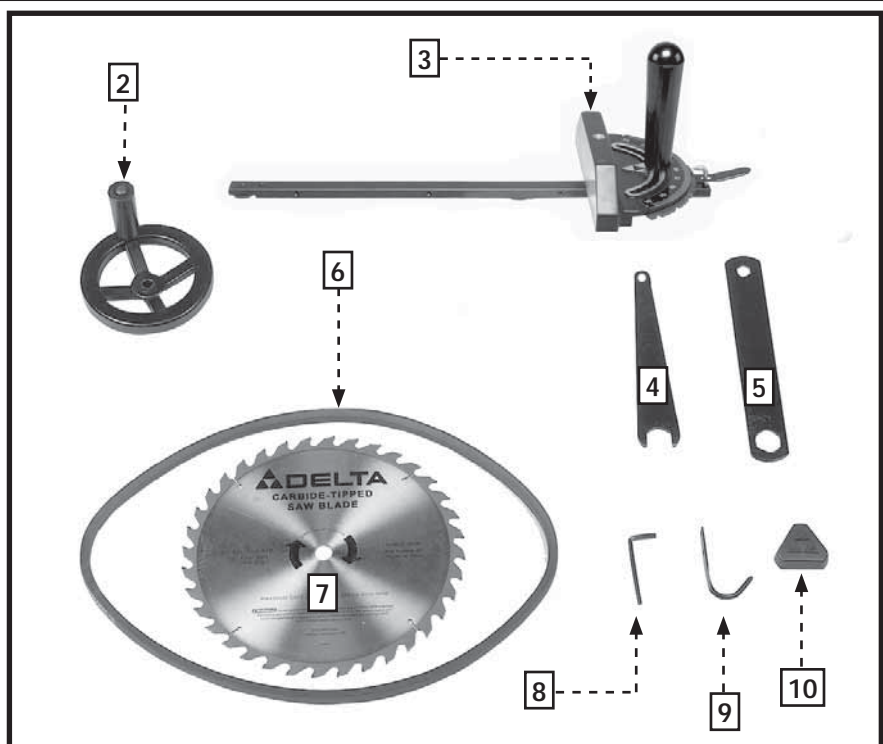
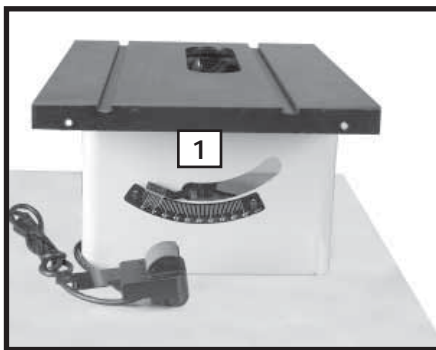
Delta Models 36-978 and 36-979 are left-tilting 10" contractor saws with a built-in mobility kit. The saws have a powerful 1-1/2 HP induction motor which can handle tough cutting operations. The 36-978 comes with sheet metal wings and the 36-979 comes with cast iron wings.

⚠ WARNING: A rip fence assembly is not packaged with the product. You must install and use a rip fence system for ripping operations.

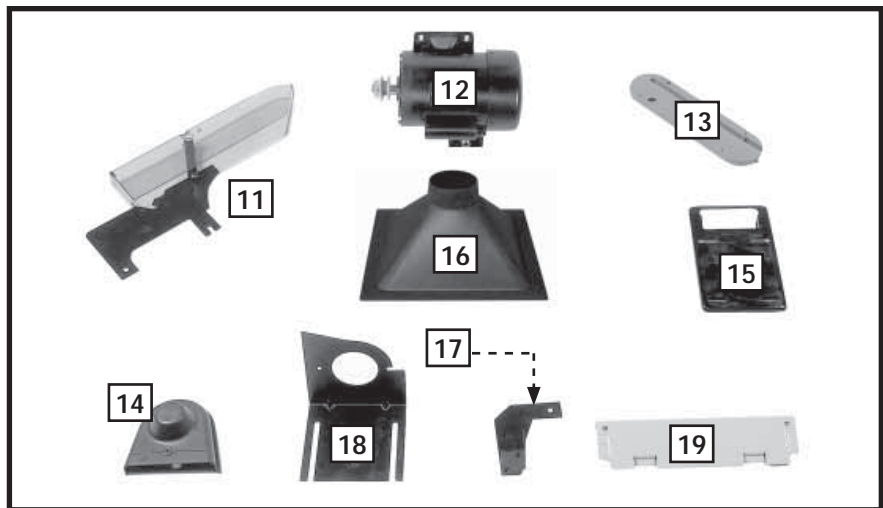
NOTICE: The photo on the manual cover illustrates the current production model. All other illustrations contained in the manual are representative only and may not depict the actual labeling or accessories included. These are intended to illustrate technique only.

CARTON CONTENTS

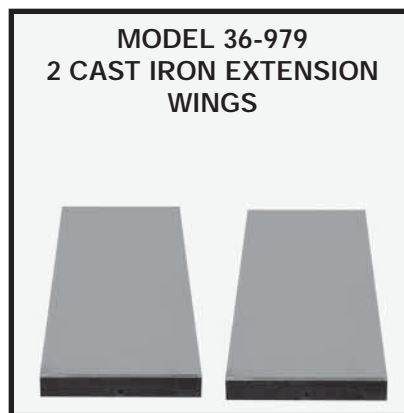
TABLE SAW PARTS



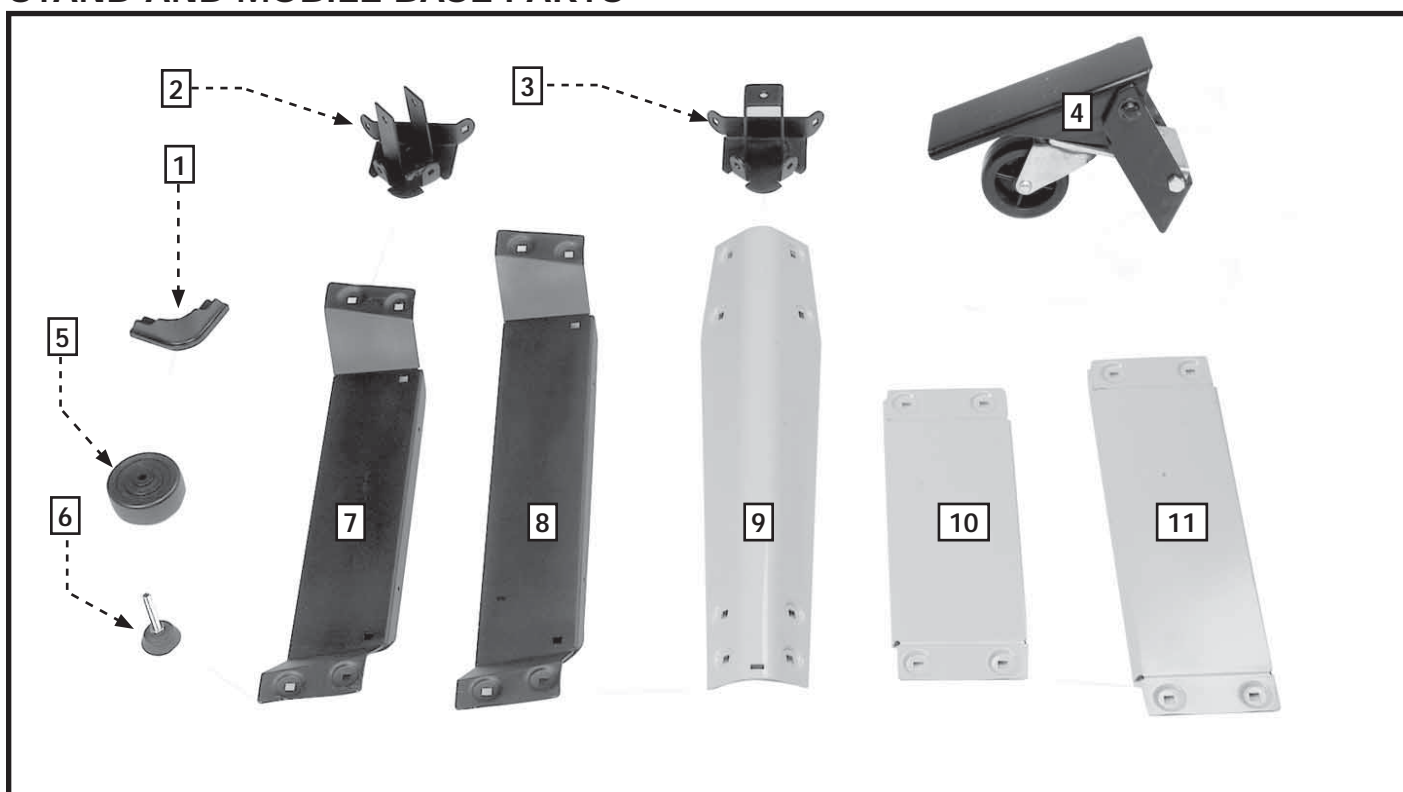
1. Table Saw
2. Handwheel (2)
3. Miter Gauge
4. 7/8" Open End Wrench
5. 7/8" and 1/2" Close End Wrench
6. Drive Belt
7. Saw Blade
8. 4mm Hex Wrench
9. Wrench Hook
10. Lock Knob (2)
11. Blade Guard and Splitter Assembly
12. Motor
13. Table Insert
14. Belt Guard
15. Motor Plate
16. Dust Collector Adaptor
17. Splitter Bracket
18. Pulley Guard Plate
19. Back Brace



EXTENSION WINGS

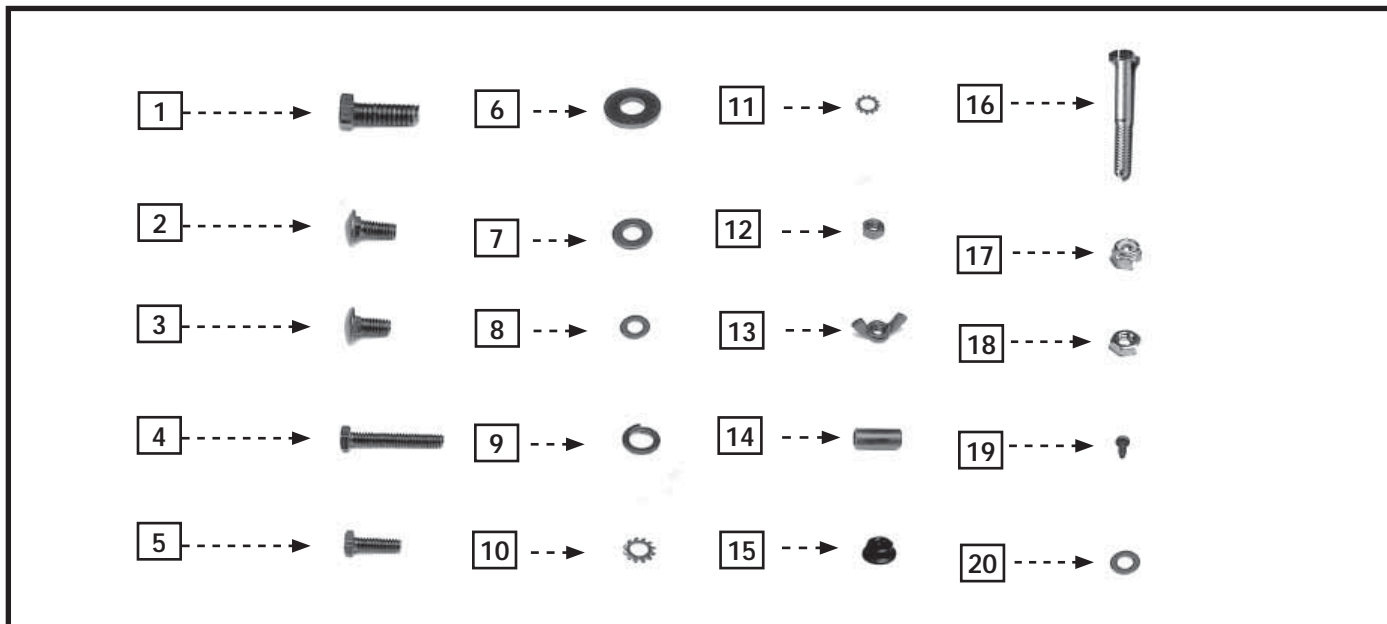


STAND AND MOBILE BASE PARTS



1. Plastic Foot (4)
2. Corner Bracket (left side) (2)
3. Corner Bracket (right side) (2)
4. Caster Assembly
5. Wheel (2)
6. Leveling Foot (2)
7. Short Side Leg Support (2)
8. Long Side Leg Support (2)
9. Leg (4)
10. Short Panel For Back and Front (2)
11. Long Panel for Sides (2)

HARDWARE



1. 7/16 - 20 x 1-1/4" Hex Head Bolt (6)
2. 5/16 -18 x 3/4" Carriage Head Bolt (8)
3. 5/16 -18 x 5/8" Carriage Head Bolt (50)
4. 1/4 -20 x 1-1/2" Hex Head Bolt (1)
5. 1/4 -20 x 3/4" Hex Head Bolt (2)
6. 7/16" Flat Washer (6)
7. 5/16" Flat Washer (1)
8. 1/4" Flat Washer (3)
9. 7/16" Lockwasher (6)
10. 5/16" External Tooth Lockwasher (1)
11. 1/4" External Tooth Lockwasher (4)
12. 1/4 -20 Hex Nut (1)
13. 1/4 -20 Wing Nut (1)
14. Spacer (1)
15. 5/16 -18 Serrated Hex Nut (57)
16. 5/16 -18 x 2-1/4" Hex Head Cap Bolt (2)
17. 5/16 -18 Nylok Nut (2)
18. 5/16 -18 Hex Jam Nut (5)
19. M4 x 8mm Pan Head Screw
20. 10mm Nylon Flat Washer (2)

UNPACKING AND CLEANING

Carefully unpack the machine and all loose items from the shipping container(s). Remove the rust-preventative oil from unpainted surfaces using a soft cloth moistened with mineral spirits, paint thinner or denatured alcohol.

▲ CAUTION: Do not use highly volatile solvents such as gasoline, naphtha, acetone or lacquer thinner for cleaning your saw.

After cleaning, cover the unpainted surfaces with a good quality household floor paste wax.

ASSEMBLY

ASSEMBLY TOOLS REQUIRED

- 7/8" Open End Wrench (supplied)
- 7/8" and 1/2" Close End Wrench (supplied)
- 4mm Hex Wrench (supplied)
- 1/4" Hex Wrench (not supplied)

Socket or Open-End Wrenches, including 10mm, 12mm, 18mm, 1/2 inch and a Phillips screwdriver (not supplied)

ASSEMBLY TIME ESTIMATE

Assembly for this machine takes approximately 4-6 hours.

▲ WARNING: For your own safety, do not connect the machine to the power source until the machine is completely assembled and you read and understand the entire instruction manual.

MOBILE BASE AND STAND ASSEMBLY

Put the stand together upside down for easier assembly.

FRONT AND SIDE PANELS

1. Insert a 5/16 -18 x 5/8" carriage head bolt (A) Fig. 1 through the leg (B) and the corresponding hole in the panel (C) Fig. 1.

NOTE: Make sure the squares of the bolt align with the flat sides of the hole opening.

2. Thread a 5/16 -18 serrated hex nut (D) Fig. 2 on the screw. Finger tighten the panel to the leg. Make sure that the serrated face of the hex nut is against the panel.

NOTE: Loosely tighten the hardware for further adjustment.

3. Fig. 3 shows all four legs attached to the front and side panels.

NOTE: Make sure that the short panels are opposite short panels and long panels are opposite long panels.

SHORT AND LONG LEG SUPPORTS

4. Attach the long side leg supports (E) Fig. 4 and the short side leg supports to the legs using 5/16 -18 x 5/8" carriage head bolts and 5/16 -18 serrated hex nuts. Insert the bolt through the leg first and then the support.

NOTE: Be sure the holes (J) Fig. 5 in all side supports are aligned.

5. Thread the hex nut on the bolt and finger tighten only. Attach eight screws and eight nuts in the holes - two of which are shown at (F) Fig. 5. Make sure these holes are on the bottom (after saw is turned upright).

CORNER BRACKETS

6. Align the corner bracket (G) Fig. 6 that has the closed end with the holes (I) in the leg supports.

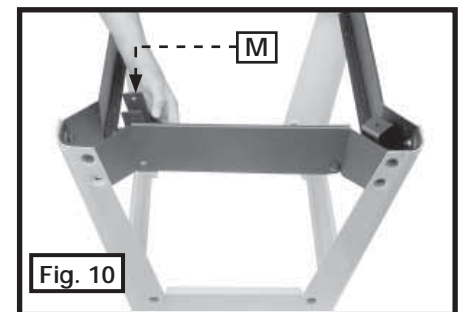
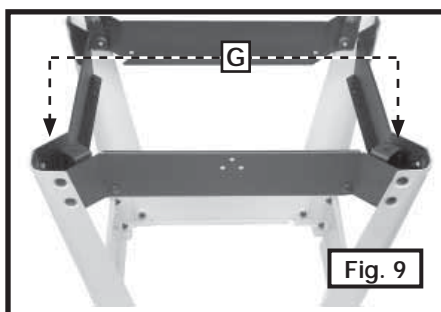
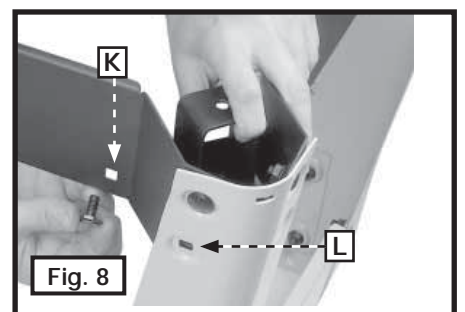
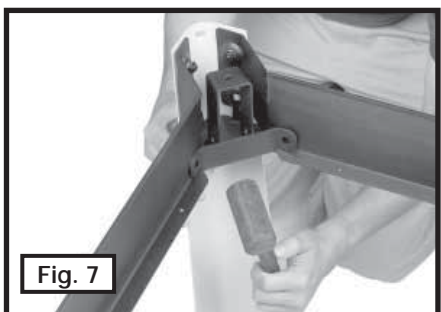
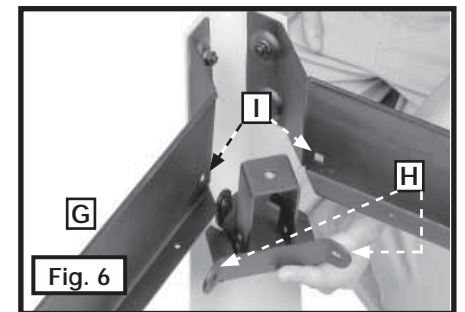
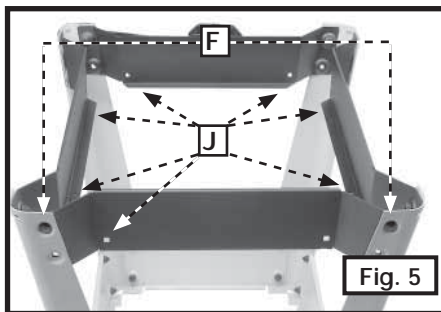
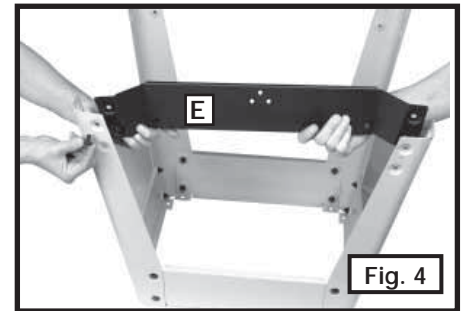
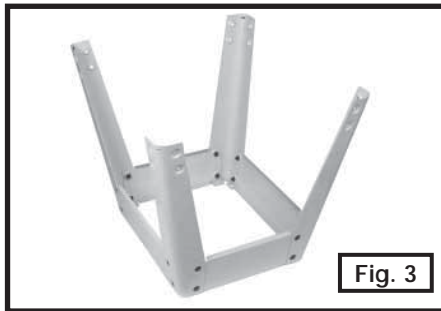
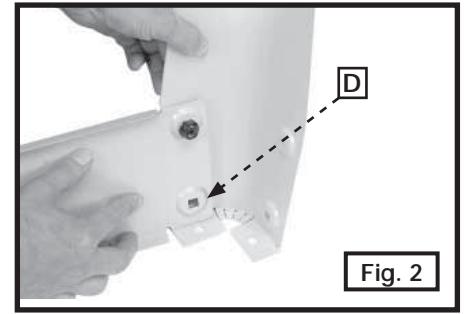
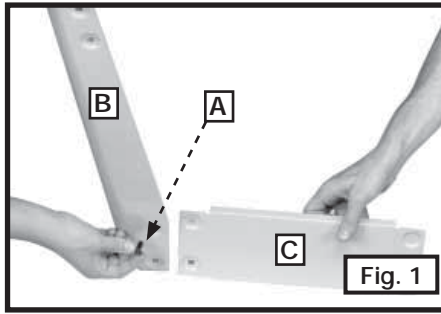
NOTE: Attach the closed-end brackets to the long leg support that has the 3 holes in the middle (Fig. 9). If necessary, use a soft hammer (or a regular hammer and block of wood) to tap the corner bracket to align the holes (Fig. 7).

7. Once aligned, attach the corner bracket to the leg supports using the 5/16 -18 x 5/8" carriage head bolts and 5/16 -18 serrated hex nuts. Insert the bolt through the support and the corner bracket at (K) Fig. 8. Thread a hex nut on the screw and tighten.

8. Attach the leg to the corner bracket using the longer 5/16 -18 x 3/4" carriage head bolts and 5/16-18 serrated hex nuts in the two holes, one of which is shown at (L) Fig. 8.

9. Repeat for the other corner bracket. You will install the rubber leveling feet on these brackets (G) Fig. 12.

10. Attach the brackets with the open end (M) Fig. 10 the same as described in Steps 6 to 9.



NOTE: Align the open end as shown in Figs. 10 and 11 where the wheels will be installed later.

LEVELING FEET

11. Thread one 5/16 -18 hex jam nut on the post of one of the leveling feet. Insert this assembly into the hole of the enclosed corner bracket (Fig. 12). Place another 5/16 -18 hex jam nut on the post and tighten. Move the hex nuts up or down on the post to adjust the height of the foot. Repeat for the other leveling foot.

WHEELS

12. Place a wheel (N) Fig. 13 in an open-end bracket (O). Insert a 5/16 -18 x 2-1/4" hex head cap screw through the bracket and the wheel. Fasten it together as shown in Fig. 13 with a 5/16 - 18 Nylok Nut (P).

13. Tighten all hardware - first on the panels, then on the leg supports.

ATTACHING THE FOOT LEVER TO THE BASE

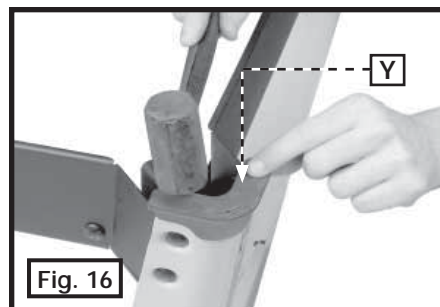
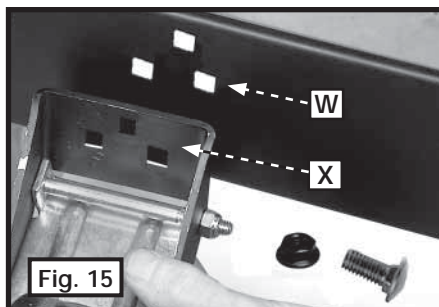
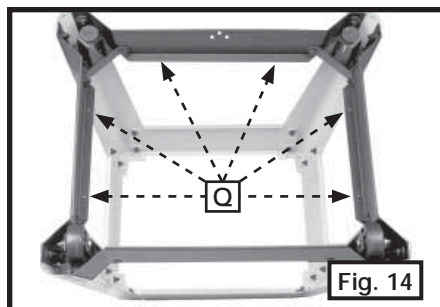
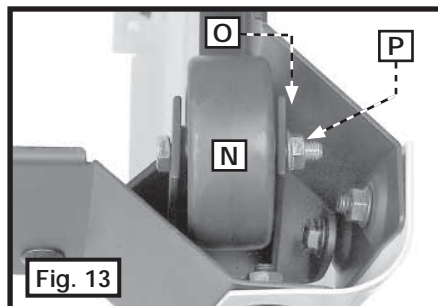
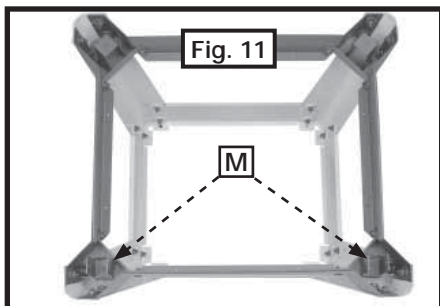
Align the three holes in the foot lever (W) Fig. 15 with the three holes in the base (X). Place a 5/16-18 x 5/8" carriage bolt through the lever and the base. Secure the lever to the base with a 5/16-18 serrated nut.

PLASTIC FEET

Install the Plastic Feet (Y) Fig. 16. Tap the feet in place with a soft hammer or with a regular hammer and a block of wood.

ADDING AN OPTIONAL SHELF

You can install an optional shelf made from a piece of 3/4" plywood measuring 22-3/8" x 19-1/4" (568.96 mm x 488.95 mm). To install, screw the wood to the leg supports through the (8) holes in the leg supports, six of which are shown at (Q) Fig. 14. When the stand is upside down (as in Fig. 14), place the shelf underneath the overhangs of the leg supports. When the stand is upright, the shelf would be on top of the leg support overhangs. To install the shelf, remove one side panel. Make sure this panel is re-installed before using the saw. See the exact measurements for this shelf in the back of this manual.



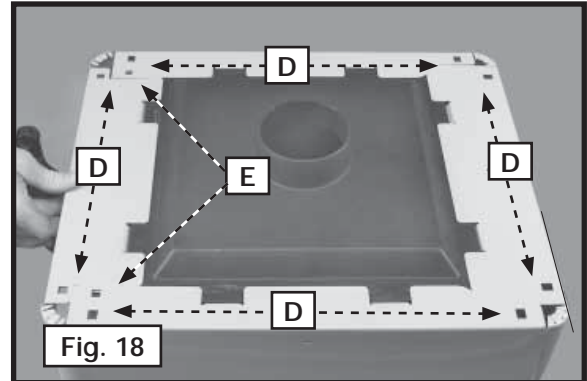
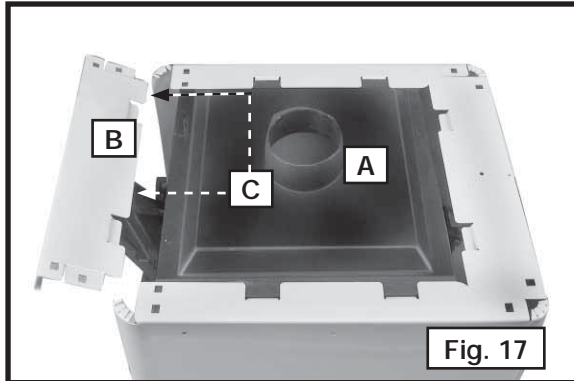
DUST CHUTE AND BACK BRACE

CAUTION: Do not install this dust chute unless you will be using a dust collector.

To install the dust chute and back brace, place the saw unit upside down on the floor as shown in Fig. 17.

CAUTION: During installation of the dust chute, protect the saw's table top by placing a protective barrier between the saw and the floor (cardboard, carpet, etc.).

Slide the dust chute in place (A) Fig. 17. Place the back brace (B) with tabs (C) Fig. 17 below the chute edge (Fig. 18). To fasten the back brace to the saw unit, place 5/16 - 18 x 5/8" carriage head bolts up from inside the saw cabinet through the holes (E). Thread 5/16 - 18 serrated hex nuts on the screws. Tighten securely.



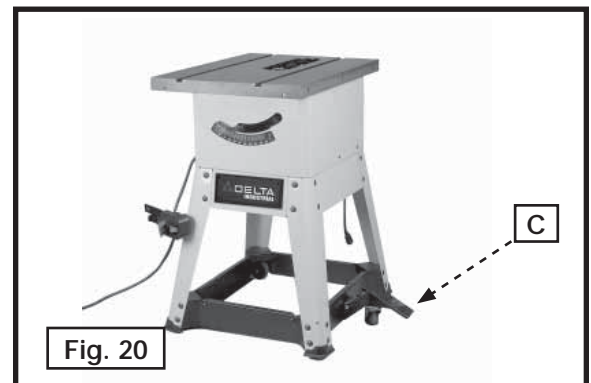
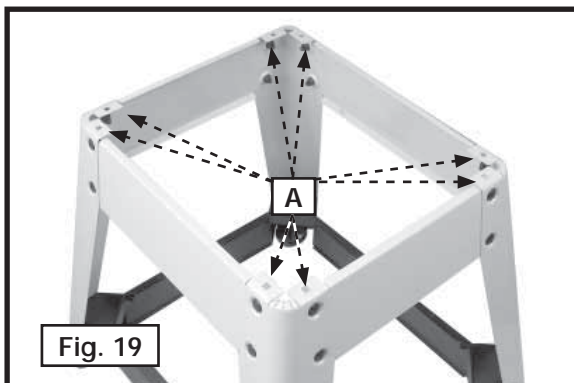
ATTACHING THE MOBILE BASE AND STAND TO THE SAW

CAUTION: To prevent personal injury or damage to the machine, follow these directions:

1. With the saw already upside down from installing the dust chute and the back brace, place the mobile base and stand assembly on top of the upside-down saw. Align the eight holes in the legs (A) Fig. 19 with the eight holes (D) Fig. 18.

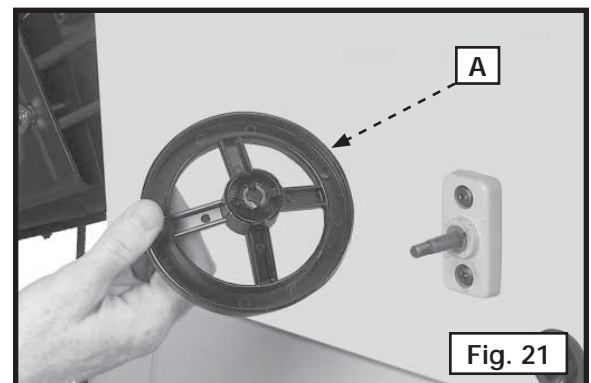
NOTE: Place the shorter panel with the Delta nameplate on the front next to the scale and pointer.

2. From the inside of the saw cabinet, place a 5/16 - 18 x 5/8" carriage head bolt in the holes (D) Fig. 26, and through the legs. Thread a 5/16 - 18 serrated hex nut on the bolt. Tighten it securely. Repeat for all eight holes.
3. **With a minimum of two people**, carefully stand the saw upright (Fig. 20).
4. To check the table level, lift up on the foot pedal (C) Fig. 20 to disengage the mobile base. Use a carpenter's level. If the machine is not level, make adjustments to the leveling feet as described in "LEVELING FEET" section. To make the saw mobile, push down on the foot pedal.



ATTACHING THE BLADE-ADJUSTING HANDWHEELS

1. Place the tilt-adjusting handwheel (A) Fig. 21 on the shaft (B). Engage the slot in the handwheel (C) with the roll pin (D) on the shaft.
2. Place a 10mm Nylon Flat Washer (E) on the shaft (B). Thread the locking knob (F) on the shaft.
3. Attach the elevation handwheel (G) Fig. 22 to the front of the saw in the same manner.



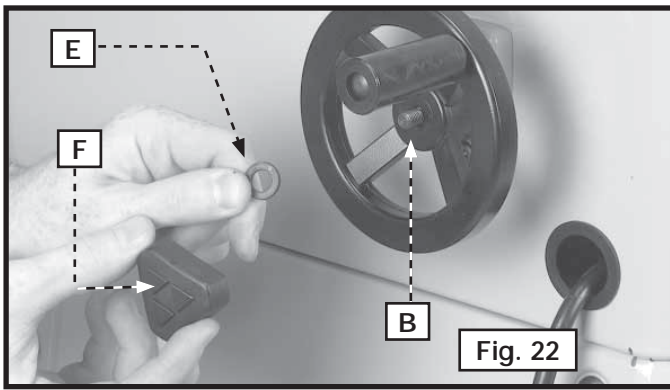


Fig. 22

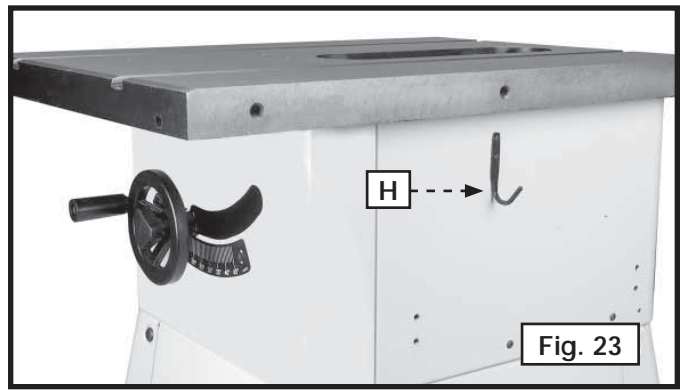


Fig. 23

WRENCH HOOK

A hook (H) Fig. 23 for blade wrench storage can be installed in two holes on the side of the saw using two M4x8mm Pan Head Cap Screws.

MOTOR TO MOTOR MOUNTING PLATE

Attach the motor (A) to the motor mounting plate (B) Fig. 24.

Align the four mounting holes in the motor with the four holes in the mounting plate. Insert a 5/16-18 x 5/8" carriage bolt (C) through the hole in the motor and the hole in the motor mounting plate. Fasten with a 5/16-18 serrated nut (E). Repeat this process for the three remaining holes in the motor and the motor mounting plate.

NOTE: Loosely tighten the hex nuts for further adjustment.

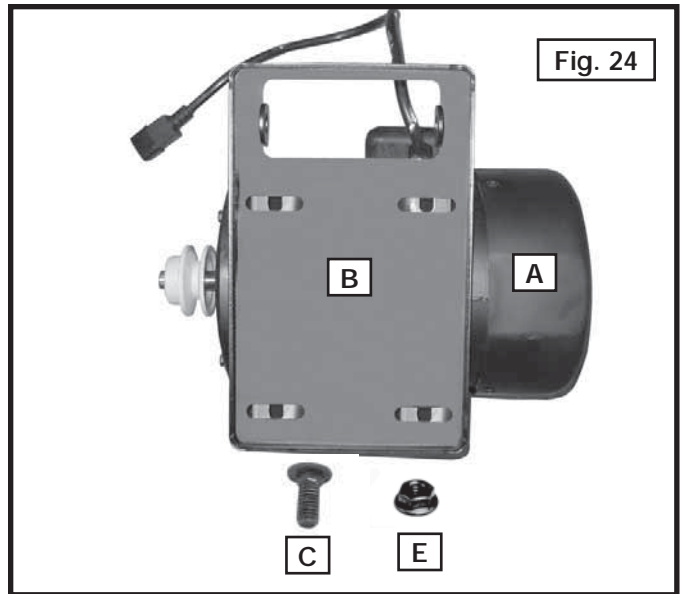


Fig. 24

ATTACHING THE MOTOR AND MOTOR MOUNTING PLATE TO THE SAW

1. Position the motor and motor mounting plate (A) Fig. 25 below the bracket (B) to allow bracket arm to slide through the large opening (C) in the motor mounting plate (A).
2. Depress the pins (D) Fig. 25 on both sides of bracket (B). Lift the motor mounting plate (A) until the pins (D) are engaged in the holes (E) Fig. 25 of motor mounting plate (A).
3. The motor and motor mounting plate are shown attached to the rear of the saw in Fig. 26.

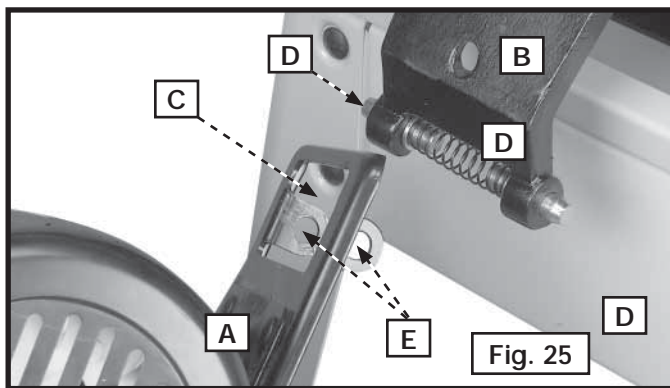


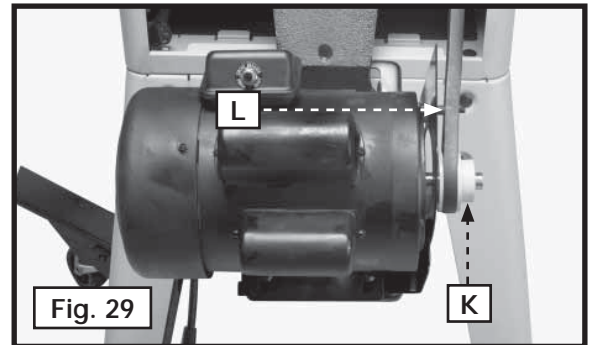
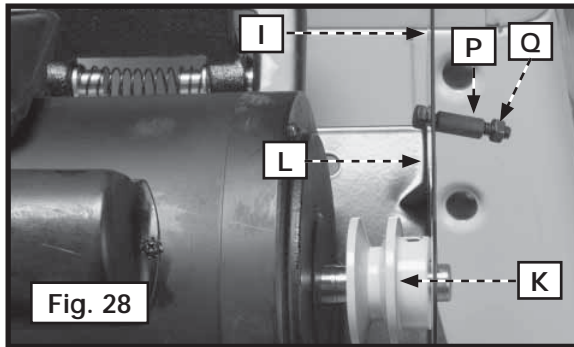
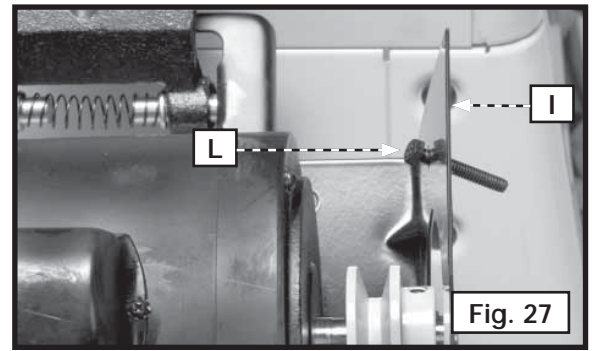
Fig. 25



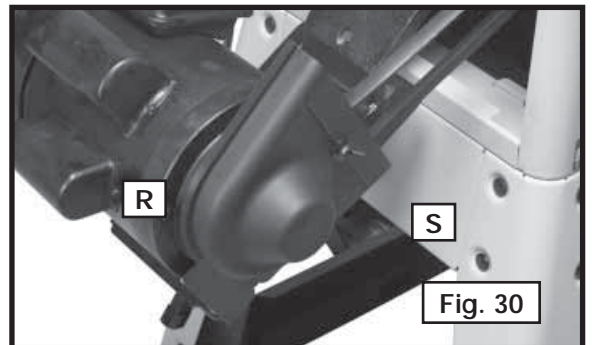
Fig. 26

ATTACHING THE MOTOR PULLEY, THE PULLEY GUARD, AND THE DRIVE BELT

1. Slide the belt and pulley guard bracket (I) Fig. 27, between the motor plate (J) and motor mounting plate (K).
2. Place a 1/4" external tooth lockwasher on 1/4 -20 x 1-1/2" hex head bolt. Insert the bolt (L) Fig. 27 through the hole in the belt and pulley guard bracket (I) Fig. 27.
3. Position the belt and pulley guard bracket (I) Fig. 28, so that the motor pulley (K) is centered and through the hole in the belt and pulley guard bracket (I) Fig. 28. Tighten the four hex nuts (C) Fig. 24 that fasten the motor to the motor mounting plate.
4. Use a straight edge to align the motor pulley with the arbor pulley in the saw cabinet. If necessary, adjust the motor pulley (K) Fig. 28 in or out on the motor shaft.
5. Raise the motor and attach the drive belt (L) Fig. 29 to the arbor pulley and the motor pulley (K) Fig. 29. The weight of the motor will provide the correct belt tension.

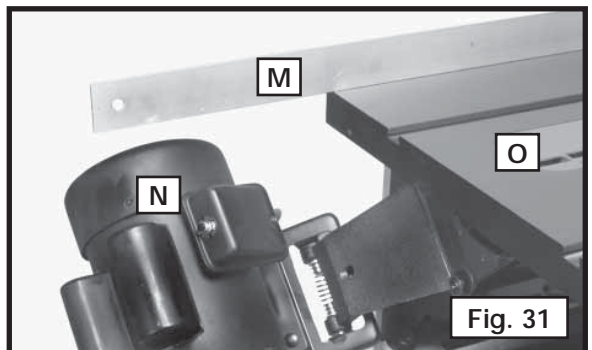


6. Place a 1/4" flat washer and a spacer (P) Fig. 28 on the 1/4 - 20 x 1-1/2" hex head screw (L). Thread a 1/4 - 20 hex nut (Q) Fig. 28 on the screw post until it tightens the spacer on the pulley guard (I) Fig. 28.
7. Install the belt guard (R) Fig. 30. Position it so that the 1/4-20 x 1-1/2" hex head bolt (L) Fig. 28 goes into the hole in the belt guard. Place a 1/4" external tooth lockwasher and a 1/4-20 wing nut on the hex head bolt (S) Fig. 30. Tighten securely.



CAUTION: Do not allow the belt guard to contact the drive belt or the motor pulley.

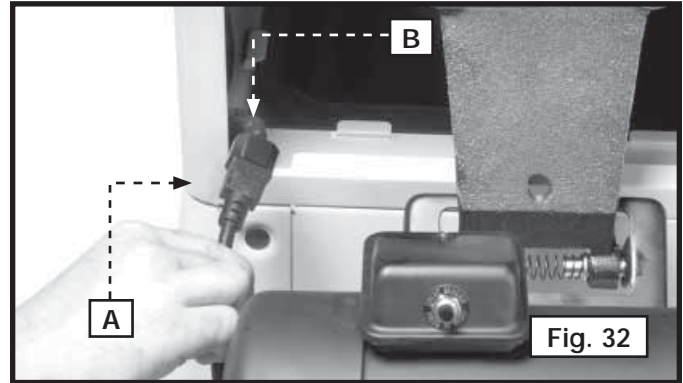
⚠ WARNING: The motor end (N) Fig. 31 must be below the top of the table surface. Immediately after attaching the belt, raise the saw blade to its maximum height and tilt the saw blade 45°. Use a straight edge (M) Fig. 31 to see if the motor end (N) Fig. 31 is below the top of the table surface (O). If not, loosen the four hex nuts (F) Fig. 24, reposition the motor, and tighten the nuts. Re-align the motor pulley (K) Fig. 29 with the arbor pulley.



CONNECTING THE MOTOR CORD TO THE SWITCH ASSEMBLY

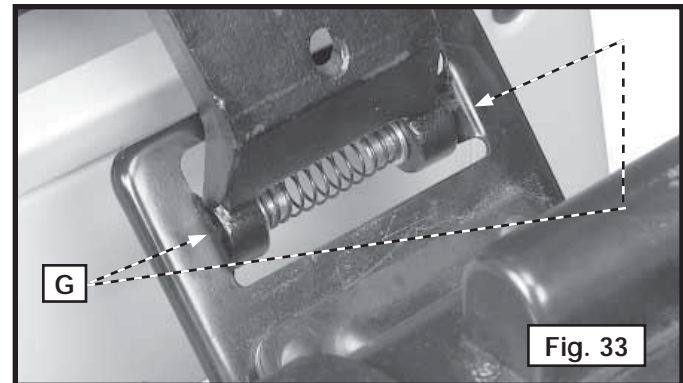
Insert the motor plug (A) Fig. 32 into the female receptacle (B) of the switch-to-motor cord, located inside the saw housing.

⚠ WARNING: Clamp the cord that runs from the switch to the female end (B) Fig. 32 to the inner wall of the saw unit. Do Not allow it to come in contact with the blade or any moving parts.



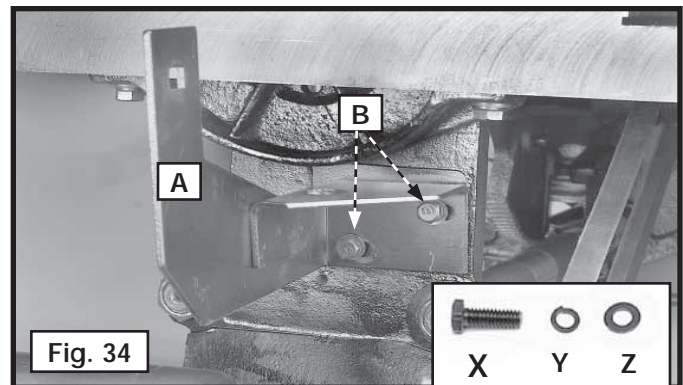
REMOVING THE MOTOR FOR TRANSPORT

To remove the motor for transport, unplug the motor cord from the switch cord. Hold the motor, press in on the pins (G) Fig. 33 and lower motor off of bracket.

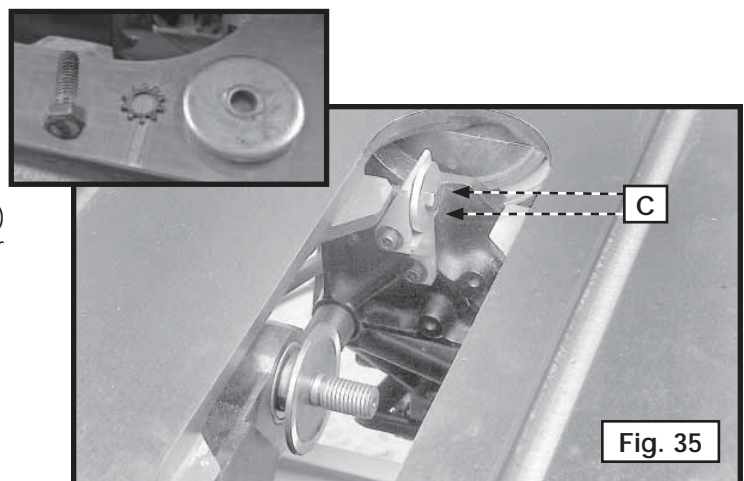


BLADE GUARD AND SPLITTER ASSEMBLY AND ALIGNMENT

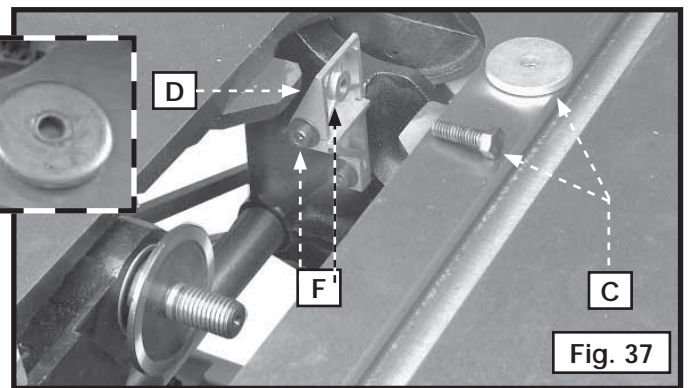
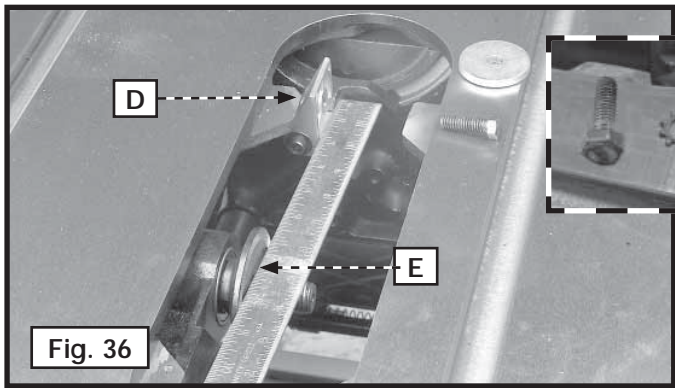
1. Fasten the rear splitter mounting bracket (A) Fig. 34 to the rear trunnion. Align the two holes in the rear splitter mounting bracket (B) with the two holes in the trunnion. Place a 1/4" lock washer and a 1/4" flat washer on a 1/4-20 x 3/4" hex head bolt. Position the bolt through the hole in the rear splitter mounting bracket. Thread the bolt into the rear trunnion. Repeat this process for the remaining hole. **Loosely tighten the hardware for further adjustment.**
2. Raise saw arbor to its highest position.



3. Remove the screw, lock washer and large washer (C) Fig. 35 (and pictured in inset) from the inside splitter mounting bracket.



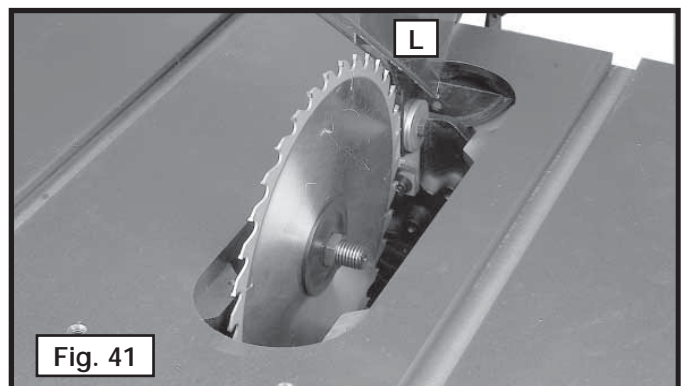
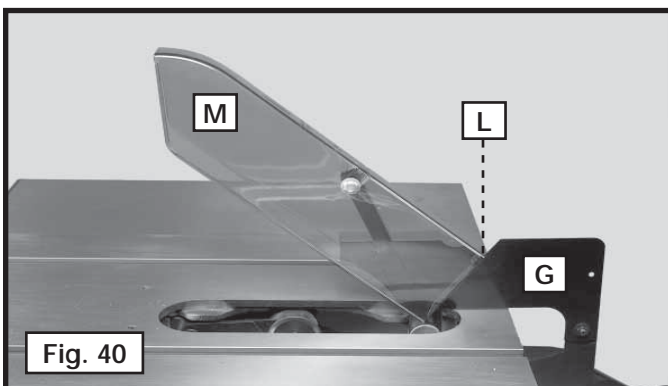
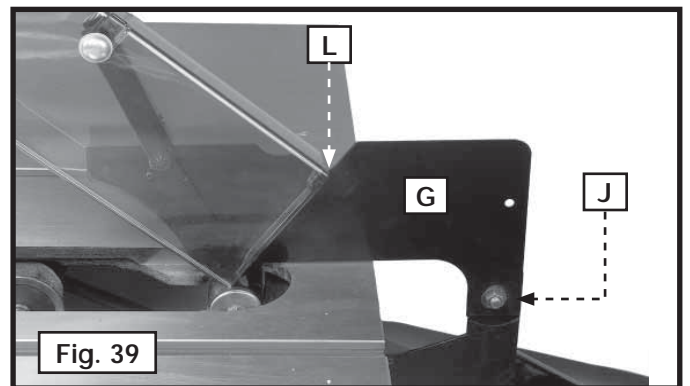
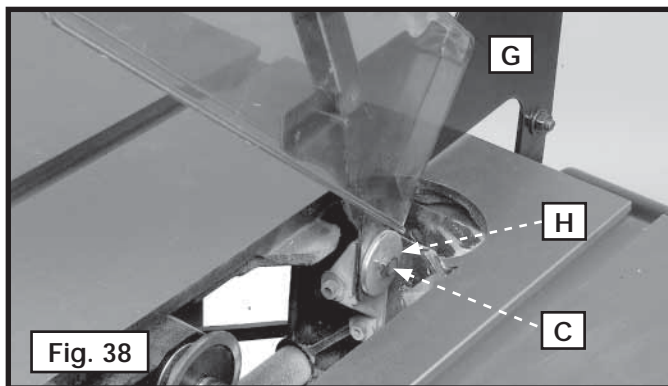
4. Use a straight edge to see if the top and bottom of the inside splitter bracket (D) Fig. 36 is aligned with the inner arbor flange (E).
5. If alignment is necessary, loosen the two screws, (F) Fig. 37, align the bracket (D) with the arbor flange and tighten the screws (F).
6. Loosely attach the large washer, lock washer and screw (inset) Figs. 36 and 37 (removed earlier) to the inside splitter bracket.



7. Attach the blade guard and splitter assembly (G) Fig. 38 between the large washer (C) and the splitter bracket. Tighten the screw (H) with the supplied wrench. Slide the splitter as far down as it will go.
8. Fasten the rear of the blade guard and splitter bracket assembly (G) Fig. 39 to the rear splitter mounting bracket. Align the hole (J) in the blade guard and splitter bracket with the hole in the rear splitter mounting bracket. Insert a 5/16-18 x 5/8" carriage head bolt through the hole (J). Place a 5/16" flat washer and external tooth lock washer on the bolt and fasten with a 5/16-18 hex nut. Tighten securely.

IMPORTANT: The splitter (G) Fig. 40 has a notch (L) cut in the top edge. This feature enables the blade guard to stay in the raised position to make blade changing easier. Raise the front of blade guard (M) until the rear edge of the blade guard slips into the notch (L) of the splitter (G). This feature only works when the table insert is removed.

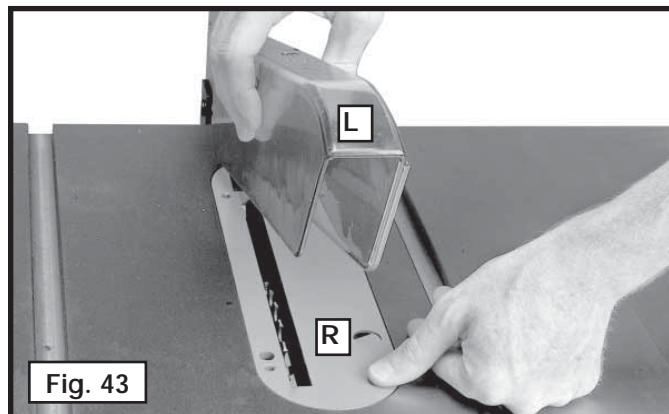
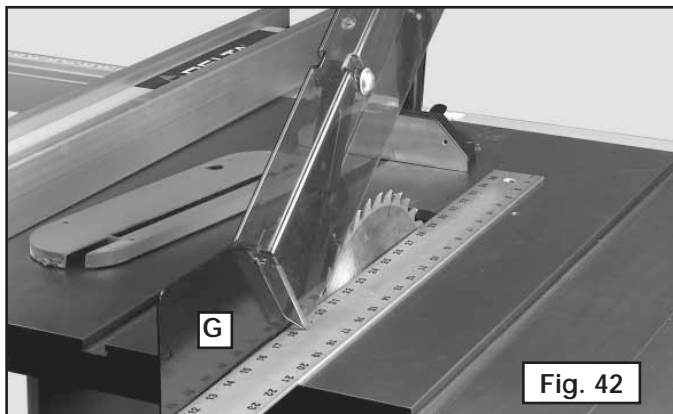
9. With the blade guard (L) Fig. 41 in the raised position, attach the saw blade (K) on the arbor with the two arbor wrenches. For more instructions on changing blades, see "CHANGING THE SAW BLADE" section in this manual.



- Use a straight edge to see if the rear of the splitter (G) is aligned with the saw blade (Fig. 42). If alignment is necessary, loosen the screws (B) Fig. 34, align the splitter (G) with the saw blade, and tighten the screws (B) Fig. 34.
- Lower the saw blade and install the table insert (P) Fig. 43 in the saw table.

▲ CAUTION: The table insert should be level with the table surface. If an adjustment is necessary, see the section "ADJUSTING THE TABLE INSERT".

▲ CAUTION: Hold on to the blade guard (L) when you install the table insert. The insert will automatically release the holding action of the splitter and lower the blade guard when it is installed in the table opening.

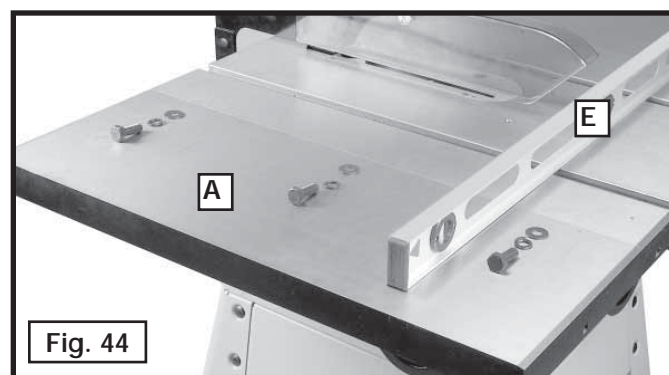


EXTENSION WINGS

- Attach the extension wing (A) Fig. 44 to the saw table. Align the three holes in the extension wing with the three holes in the side of the saw table. Place a 7/16" Lockwasher and a 7/16" flat washer on a 7/16-20 x 1-1/4" hex head bolt (hardware assemblies shown on wing (A), Fig. 44.)
- Insert the screw through the hole in the extension wing. Thread the screw into the tapped hole in the side of the saw table. Finger tighten only. Repeat this process for the two remaining holes in the extension wing and the saw table.

NOTE: The extension wing must be flush with or slightly behind the front edge of the table.

- Use a straight edge (E) Fig. 44 as a guide to level the extension wing (A) with the saw table. Once level, tighten the bolt on one side. Check the level again. Tighten the bolt in the middle, then tighten the bolt on the other side.



MODEL 36-978 ONLY

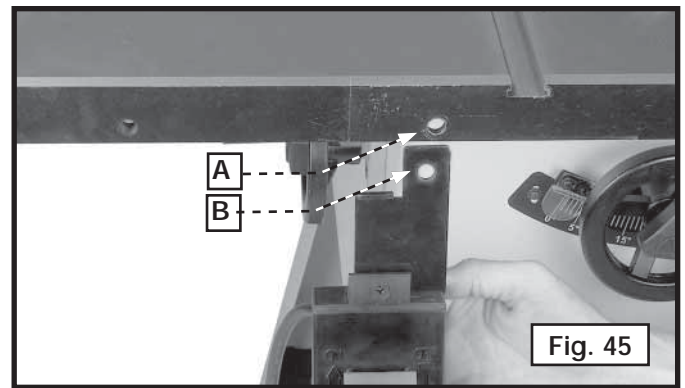
Attach the other sheet metal extension wing to the opposite side of the saw table in the same manner.

MODEL 36-979 ONLY

Attach the other cast iron extension wing to the opposite side of the saw table in the same manner.

ON/OFF SWITCH

Attach the switch behind the table edge with the hardware (supplied with the fence). The screw that fastens the front fence rail will secure the switch by going through the hole (A) Fig. 45 in the table edge and the hole (B) in the switch.



OPERATION

OPERATIONAL CONTROLS AND ADJUSTMENTS

STARTING AND STOPPING THE SAW

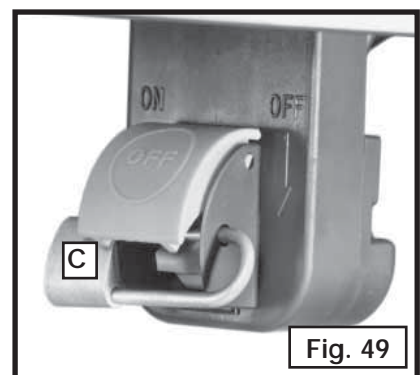
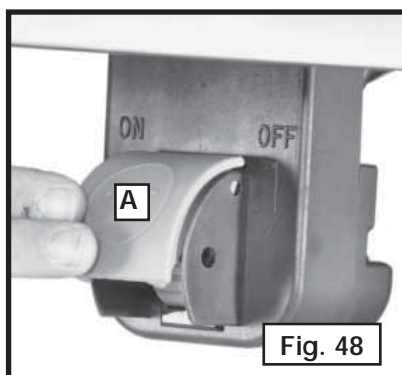
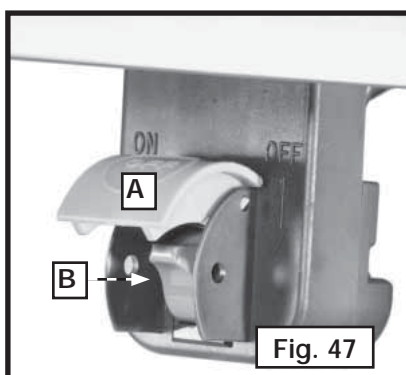
⚠ WARNING: Make sure that the switch is in the “OFF” position before plugging the cord into the outlet. Do not touch the plug’s metal prongs when unplugging or plugging in the cord.

1. The **ON/OFF** switch is located underneath the switch shield (A) Fig. 47. To turn the saw “ON”, move the switch lever (B) to the up position.
2. To turn the saw “OFF”, push down on switch shield (A) Fig. 48.

LOCKING THE SWITCH IN THE “OFF” POSITION

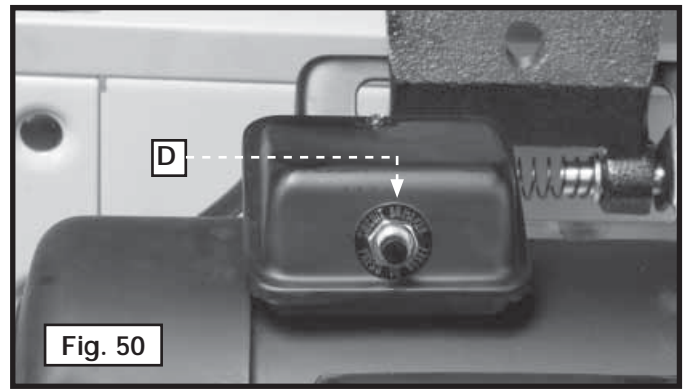
IMPORTANT: When the machine is not in use, the switch should be locked in the “OFF” position to prevent unauthorized use, using a padlock (C) Fig. 49 with a 3/16" diameter shackle.

⚠ WARNING: In the event of a power outage (such as a breaker or fuse trip), always move the switch to the “OFF” position until the main power is restored.



OVERLOAD PROTECTION

The motor supplied with your saw is equipped with a manual reset overload (A) Fig. 50. If the motor shuts off or fails to start due to overloading (cutting stock too fast, using a dull blade, using the saw beyond its capacity, etc.), or low voltage, move the ON/OFF switch to the "OFF" position. Let the motor cool for three to five minutes, then push the reset button (A) to reset the overload device.



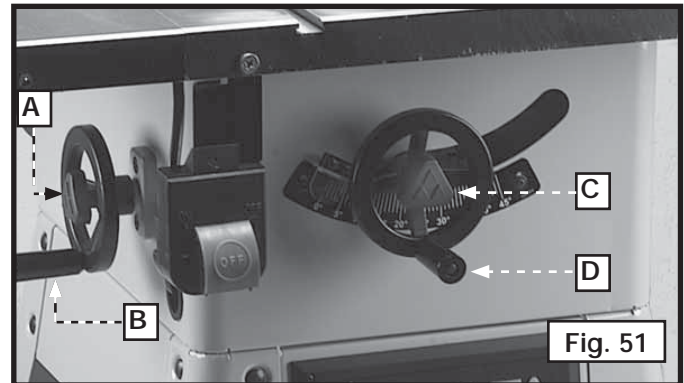
RAISING AND LOWERING BLADE

To raise the saw blade, loosen the lock knob (C) Fig. 51, and turn the blade-adjusting handwheel (D) clockwise. To lower the blade, turn the handwheel (D) counterclockwise. When the blade is at the desired height, tighten the lock knob (C).

NOTE: One full turn of the handwheel will change blade height approximately 1/4".

TILTING THE BLADE

To tilt the saw blade for bevel cutting, loosen the lock knob (A) and turn the handwheel (B). When the desired blade angle is obtained, tighten lock knob (A).

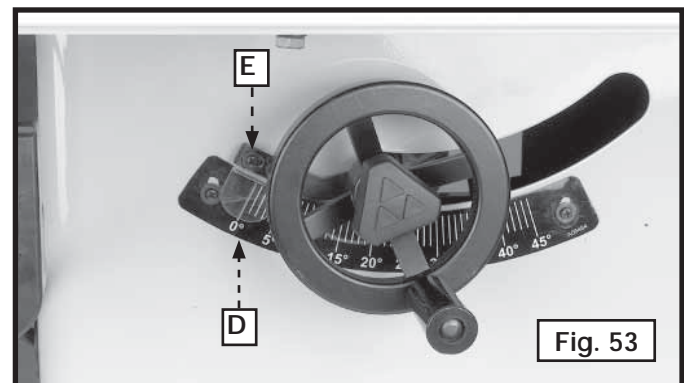
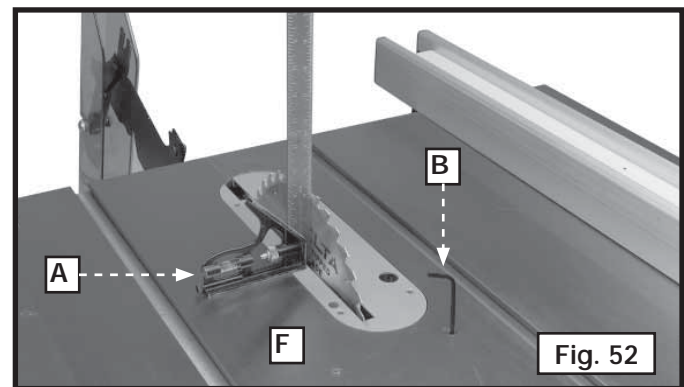


ADJUSTING 90° AND 45° POSITIVE STOPS

Your saw is equipped with positive stops that will quickly and accurately position the saw blade at 90° and 45° to the table. To check and adjust the positive stops:

⚠ WARNING: Disconnect the machine from the power source.

1. Raise the saw blade to its highest position.
2. Set the blade at 90° to the table by turning the blade tilting handwheel (B) Fig. 51 counter-clockwise as far as it will go.
3. Use a combination square (A) Fig. 52 to see if the blade is at 90° to the table surface.
4. If not, turn the handwheel (B) Fig. 51 one turn clockwise. Loosen the set screw (F) Fig. 52 with a 4mm hex wrench. Turn the handwheel until the blade is at 90° to the table. Tighten the set screw (F) until it bottoms.
5. Loosen the screws (E) Fig. 53, adjust the hairline indicator (D) to point to the 0° mark on the scale, and tighten the screws (E).
6. Turn the handwheel clockwise as far as it will go and use a combination square to see if the blade is at 45° to the table.
7. If not, turn the handwheel (B) Fig. 51 one turn counter-clockwise. Loosen the set screw (B) Fig. 52. Turn the handwheel until the blade is 45° to the table. Tighten the set screw (B) until it bottoms.

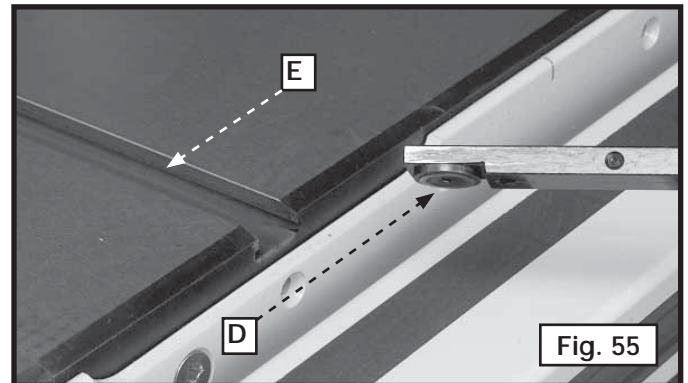
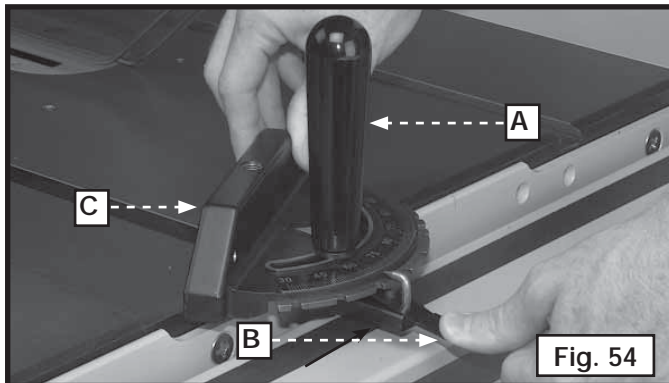


MITER GAUGE OPERATION AND ADJUSTMENT

The miter gauge is equipped with adjustable index stops at 90°, 75°, 60°, 45° and 30°.

To rotate the miter gauge, loosen lock knob (A) Fig. 54, push the thumb lever (B) down and move the body of the miter gauge (C) to the desired angle.

The miter gauge is equipped with a washer (D) Fig. 55 which fits into the T-Slot groove (E) in the table. This allows the miter gauge to be pulled off the front edge of the table without falling. This allows for a longer cut-off capacity in front of the blade.



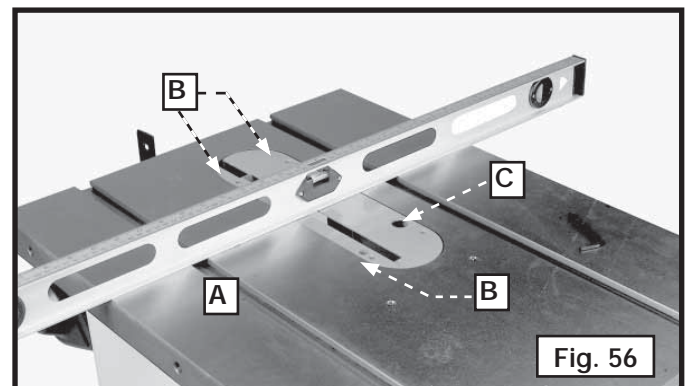
ADJUSTING THE TABLE INSERT

⚠ WARNING: Disconnect the machine from the power source.

Place a straight edge across the table at both ends of the table insert (A) Fig. 56.

CAUTION Make sure that the table insert (A) is always level with the table.

To adjust, turn the screws (B). The table insert is equipped with a finger hole (C) for easy removal.

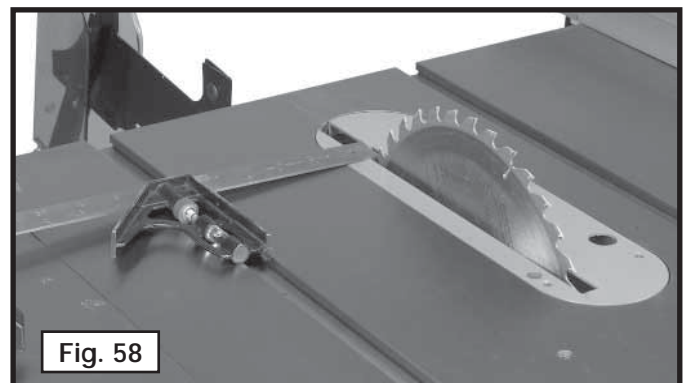
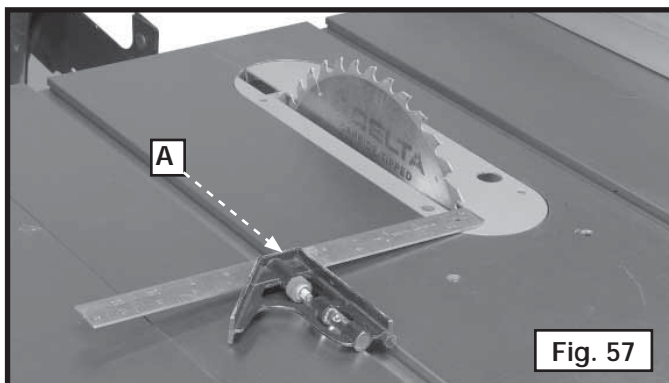


ALIGNING THE MITER SLOTS TO THE BLADE

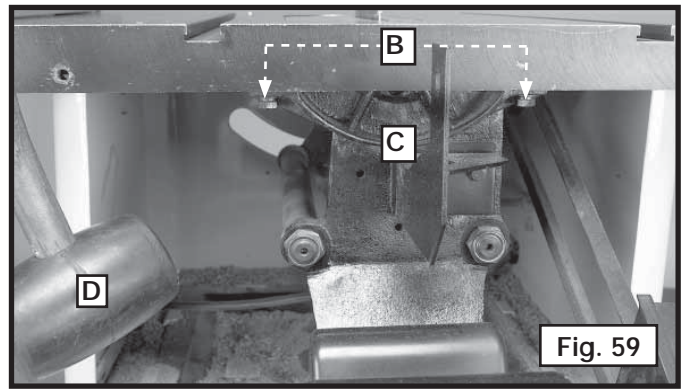
The saw table was aligned at the factory so that the miter gauge slots are parallel to the saw blade. However, check the alignment before initial operation.

⚠ WARNING: Disconnect the machine from the power source.

1. Place a combination square (A) Fig. 57 on the table with one edge of the square in the miter gauge slot. Adjust the square so that the ruler touches one of the teeth on the saw blade at the forward position (Fig. 57). Lock the square in this position.
2. Rotate the saw blade so that the same tooth used in **STEP 1** is in the rear position (Fig. 58). Check this distance. Both the front and rear measurements should be identical.



- To adjust, loosen the two hex head bolts (B) Fig. 59 that hold the rear trunnion to the saw table.
- Use a rubber mallet (or a regular hammer and a block of wood) to tap the trunnion (C) until the saw blade is in the center of the table insert slot, and parallel to the miter gauge slot.
- Tighten the two hex head bolts that were loosened in **STEP 3**.
- Tilt the blade to 45°. Turn the saw blade by hand to ensure that it does not contact the table insert.



CHANGING THE SAW BLADE

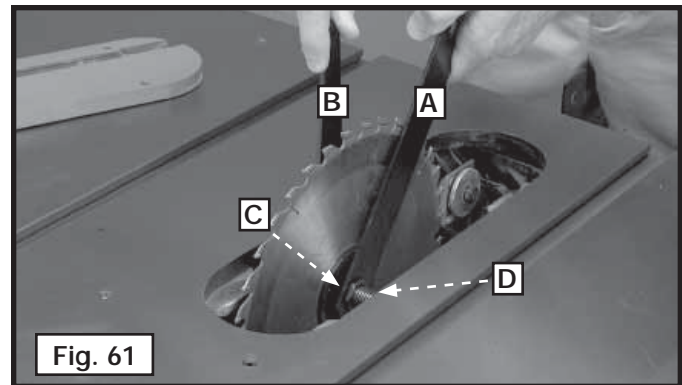
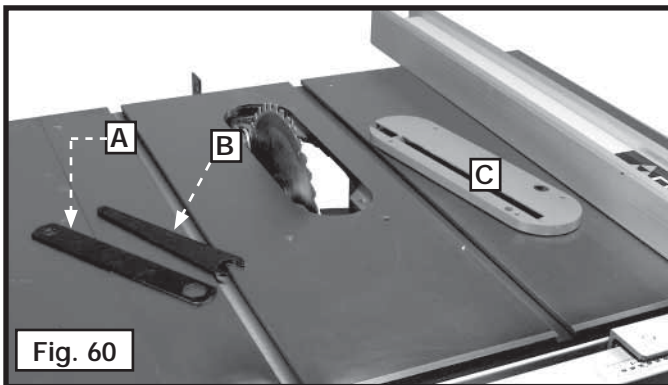
▲WARNING: Use only 10" diameter blades with 5/8" arbor holes, rated at 3600 rpm or higher.

▲WARNING: Disconnect the machine from the power source.

NOTE: Two 7/8" wrenches are supplied with the saw for changing the saw blade - a closed-end wrench (A) Fig. 61 and an open-end wrench (B).

- Remove the table insert (C) Fig. 60, and raise the saw blade to its maximum height.
- Place the open-end wrench (B) Fig. 61 on the flats of the saw arbor. Use the closed-end wrench (A) to turn the arbor nut (D) toward the front of the saw to loosen. Remove the arbor nut, blade flange (C), and saw blade.
- Place the new blade on the arbor with the teeth pointing down as the blade rotates toward the front of the saw table. Install the outside blade flange and arbor nut to secure the blade. With the wrench (B) Fig. 61 on the flats of the arbor, tighten the arbor nut by turning wrench (A) toward the rear of the saw.
- Replace the table insert.

NOTE: Use a sharp blade that is proper for your project. Do not stack blades when you store them. Place a barrier (cardboard, cloth, etc.) between the blades to keep them from touching.

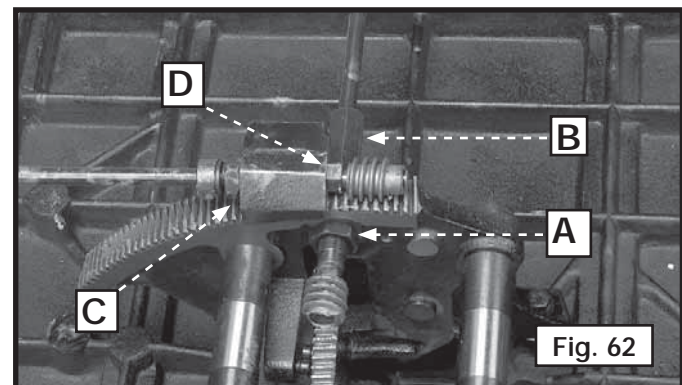


BACKLASH ADJUSTMENTS FOR BLADE RAISING AND BLADE TILTING MECHANISMS

If any play is detected in the blade-raising or blade-tilting mechanisms, make the following adjustments:

NOTE: In the illustration (Fig. 62), the machine was turned upside down and the blade removed for clarity and safety.

- Adjusting the blade-raising mechanism** - Loosen the locknut (A) Fig. 62 and turn the eccentric sleeve (B) until all play is removed. Tighten the locknut.
- Adjusting the blade-tilting mechanism** - Loosen the locknut (C) Fig. 62 and turn the eccentric (D) until all play is removed. Tighten the locknut.



MACHINE USE

Common sawing operations include ripping and crosscutting plus a few other standard operations. As with all power machines, a certain amount of hazard is involved with the operation and use of the machine. Using the machine with the respect and caution will considerably lessen the possibility of personal injury. However, if normal safety precautions are overlooked or completely ignored, personal injury can result. The following information describes the safe and proper method for performing the most common sawing operations.

⚠ WARNING: This instruction manual does not provide information regarding the installation of a fence system. A fence system must be installed before use of the saw. Please refer to the fence instruction manual regarding the proper installation, alignment, and operation of the fence system.

⚠ WARNING: The use of attachments and accessories not recommended by Delta may result in injury.

⚠ WARNING: Never operate the saw without the proper table insert for the saw blade or cutter installed.

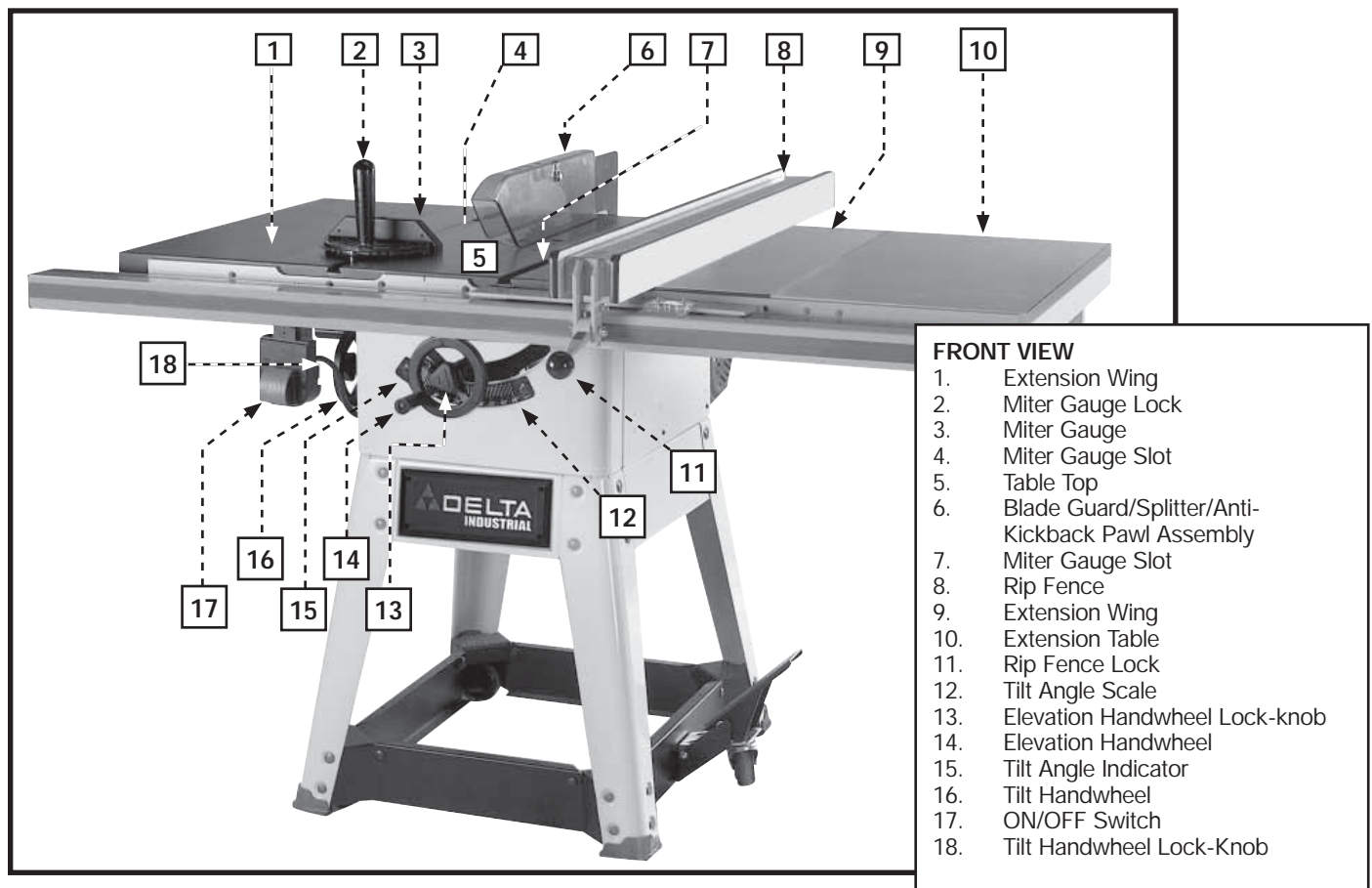
QUICK OPERATIONS CHECKLIST

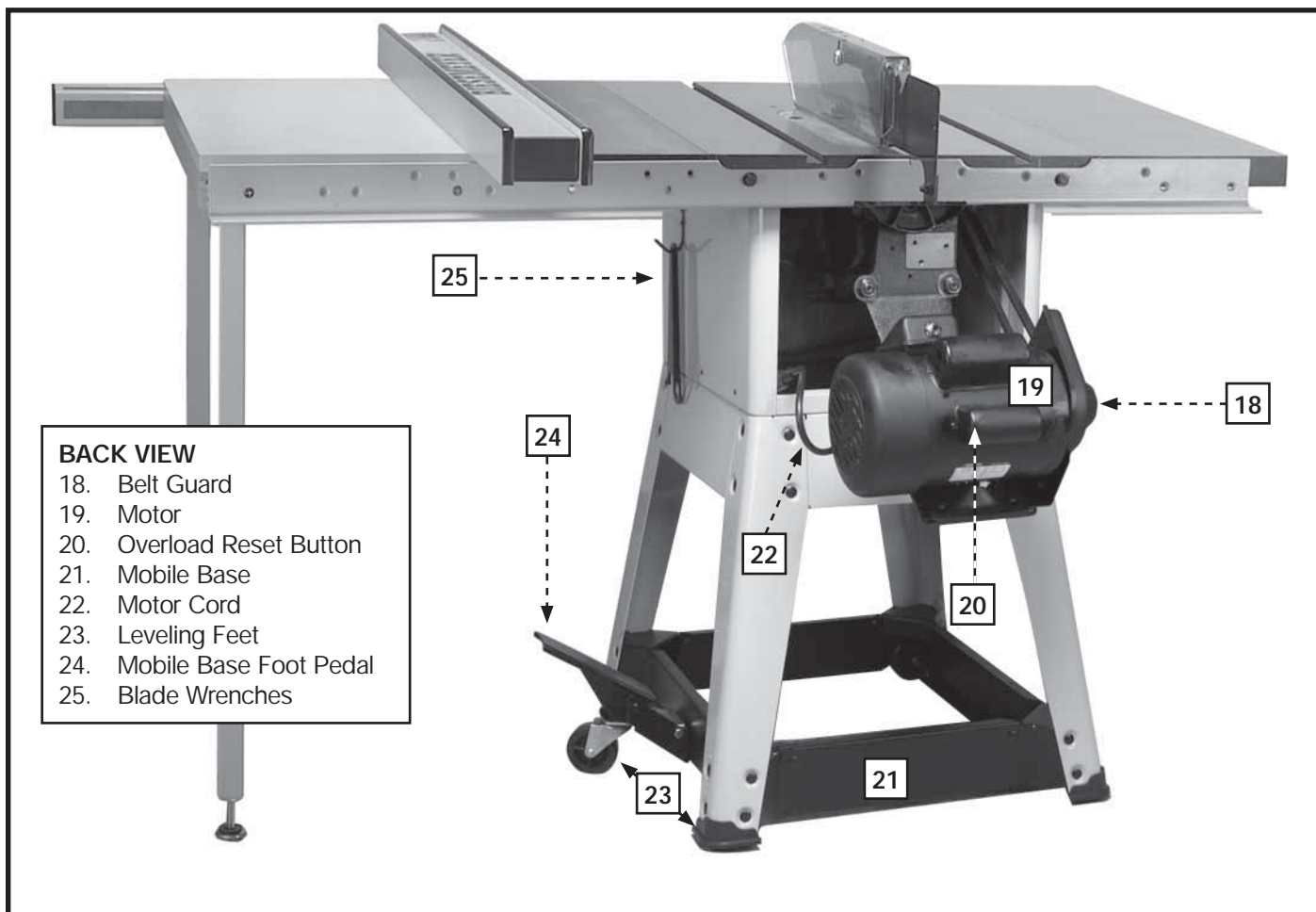
⚠ CAUTION: Before using the saw each time, verify the following:

1. The blade is tight.
2. The bevel angle and height lock-knobs are tight.
3. If ripping, ensure that the fence lock lever is tight and that the fence is parallel to the blade.
4. If crosscutting, ensure that the miter gauge knob is tight.
5. Proper eye, hearing, and respiratory equipment are being used.
6. The blade guard is properly attached and the anti-kickback pawls are functioning.

⚠ CAUTION: Failure to adhere to these common safety rules can greatly increase the likelihood of injury.

KEY PARTS AND SAFETY FEATURES ON YOUR SAW





BLADE GUARD AND SPLITTER USE

⚠ WARNING: The blade guard assembly provided with Delta saws (Fig. 63) must be used for all through-sawing operations. The splitter prevents the kerf from closing and binding the blade, causing kickback. The anti-kickback pawls (A) Fig. 62 prevent the workpiece and the cut-off piece from being thrown back at the operator. The plastic guard prevents dust and debris from being thrown at the operator. To use the guard properly:

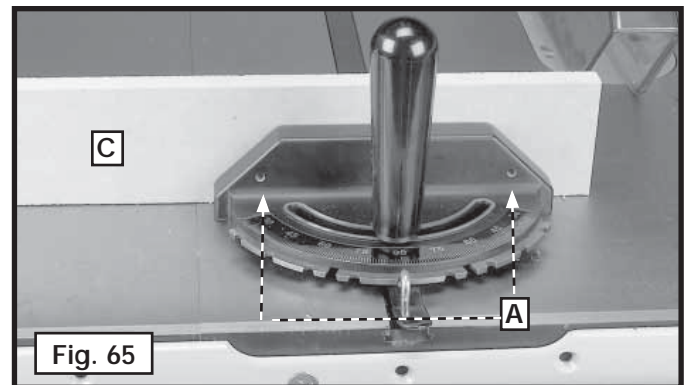
1. Make sure that the splitter is aligned with the blade as described in the section "BLADE GUARD AND SPLITTER ASSEMBLY AND ALIGNMENT."
2. Replace or sharpen the anti-kickback pawls when they become dull.
3. Keep the guard clean for visibility and free motion.
4. Do not use solvent or lubricants on the guard. They may severely damage the plastic.
5. Use caution when feeding workpieces that may catch on the guard and cause a bind, or force the guard into the blade (such as when cutting moulding).



CROSS-CUTTING

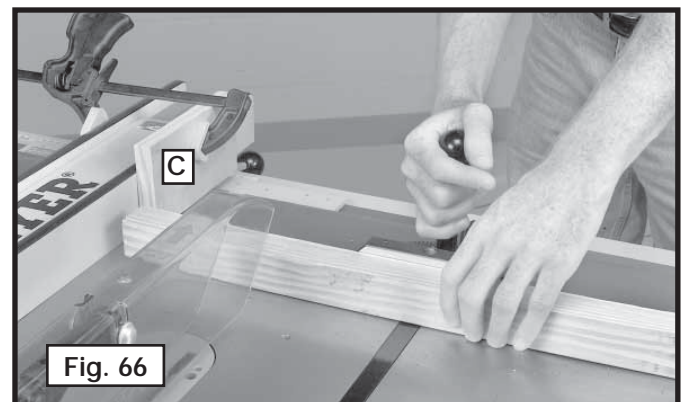
Cross-cutting requires the use of the miter gauge to position and guide the work. Before starting the cut, raise the blade so that it is about 1/8" (3.2mm) higher than the top of the workpiece. Place the work against the miter gauge and advance both the gauge and work toward the saw blade (Fig. 64). You can use the miter gauge in either table slot. Start the cut slowly and hold the work firmly against the miter gauge and the table. Keep both hands on the miter gauge and workpiece. Do not touch the cut-off piece. Feed the workpiece steadily through the blade until the workpiece is completely cut. Shift the workpiece slightly sideways away from the blade, then pull the workpiece and miter gauge back to the starting position. Remove the workpiece, then use a push stick to push the cut-off piece past the blade and off the table before beginning the next cut.

For added safety and convenience, you can attach an auxiliary wood-facing (C) Fig. 65 to the miter gauge. This facing should be at least 1" higher than the maximum depth of cut, and should extend out 12" or more to one side or the other depending on which miter gauge slot is used. Attach this auxiliary wood-facing (C) to the front of the miter gauge by using two wood screws (A) through the holes provided in the miter gauge body.



▲ WARNING: Never use the fence as a cut-off gauge when cross-cutting.

When cross-cutting a number of pieces to the same length, clamp a block of wood (B) to the fence and use it as a cut-off gauge (Fig. 66). The block (B) must be at least 3/4" thick to prevent the cut-off piece from binding between the blade and the fence during removal from the saw table. Always position this block of wood in front of the saw blade. Once the cut-off length is determined, lock the fence and use the miter gauge to feed the work into the cut.

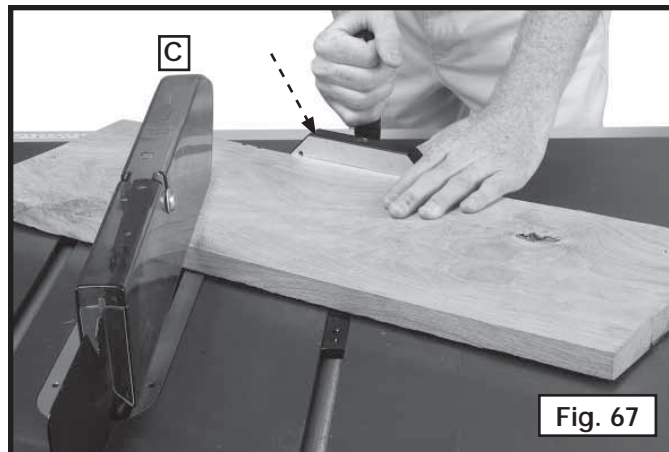


▲ CAUTION: When using the block (B) Fig. 66 as a cut-off gauge, position the rear end of the block so that the workpiece is clear of the block before it enters the blade.

MITERING

Mitering (Fig. 67) is the same as crosscutting except the miter gauge (C) is locked at an angle other than 0°. Hold the workpiece firmly against the miter gauge and feed the work slowly into the blade to prevent the workpiece from moving.

▲ WARNING: Use caution when starting the cut to prevent binding of the guard against the workpiece. Miter angles greater than 45° may force the guard into the saw blade and damage the guard. Before starting the motor, test the operation by feeding the workpiece into the guard. If the guard contacts the blade, place the workpiece under the guard, not touching the blade, before starting the motor. Certain workpiece shapes, such as mouldings, may not lift the guard properly. Feed the work slowly to start the cut.



BEVEL CROSSCUTTING

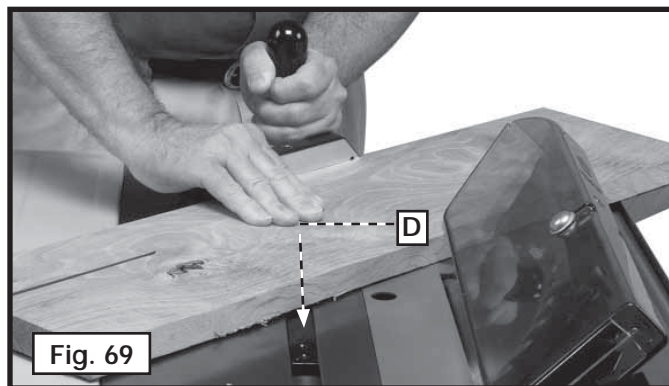
Bevel crosscutting (Fig.68) is the same as crosscutting except the bevel angle is set to an angle other than 0°.

▲ WARNING: When possible, use the right miter gauge slot when bevel crosscutting so that the blade tilts away from the miter gauge and your hands.

▲ WARNING: Use caution when starting the cut to prevent binding of the guard against the workpiece.

COMPOUND MITERING

Compound Mitering (Fig. 69) is a combination of bevel crosscutting and mitering, where the blade is beveled to an angle other than 0° and the miter gauge is locked at an angle other than 0 degrees. Always use the miter slot (D) which allows the blade to tilt away from the miter gauge and hands.



RIPPING

Ripping (Fig. 70) is cutting lengthwise through a board. The rip fence (A) is used to position and guide the work. One edge of the work rides against the rip fence while the flat side of the board rests on the table.

▲ WARNING: You must use the saw blade guard. On Delta saws, the guard has anti-kickback pawls to prevent kickback, and a splitter to prevent the wood kerf from closing and binding the blade. Be sure to replace or sharpen the anti-kickback devices when the points become dull.

▲ WARNING: Always use a rip fence for ripping operations. **NEVER** perform a ripping operation free-hand. Always lock the fence to the rail.

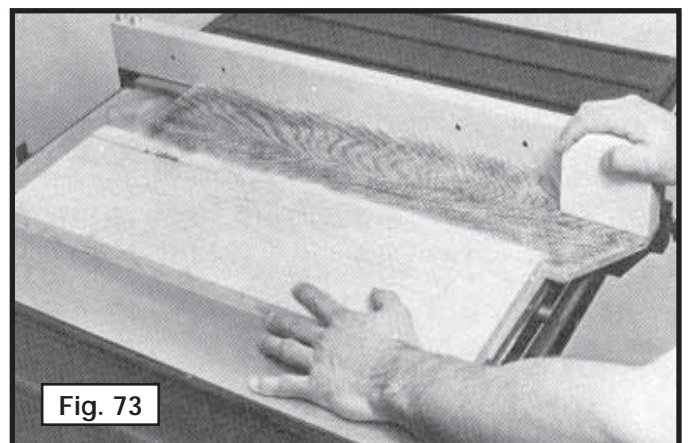
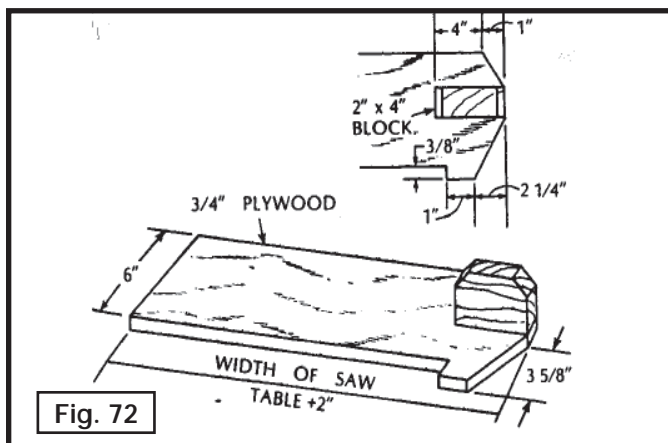
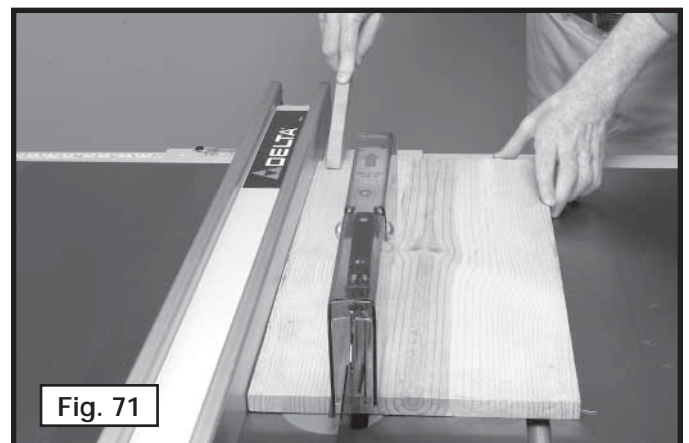
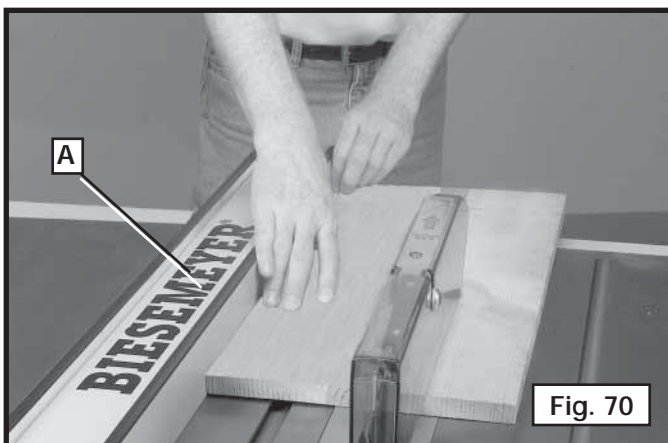
▲ CAUTION: The workpiece must have a straight edge against the fence, and must not be warped, twisted or bowed.

1. Before starting the cut, raise the blade so that it is about 1/8" (3.2mm) higher than the top of the workpiece. Start the motor and advance the work, holding it down and against the fence. **Never** stand in the line of the saw cut when ripping. When the rip width is 6 inches or wider, hold the work with both hands and push it along the fence and into the saw blade (Fig. 70). Feed force when ripping should always be applied between the saw blade and the fence. Never pull the workpiece from the back of the saw. The work should then be fed through the saw blade with the right hand. Keep pressure on the workpiece against the fence and down on the saw table. Ensure that you have adequate outfeed support for the workpiece and **KEEP YOUR HANDS AWAY FROM THE SAW BLADE.**
2. When the workpiece is past the blade, the work will either stay on the table or tilt up slightly and be caught by the end of the guard. Alternately, the feed will continue to the end of the table, and be lifted and brought along the outside edge of the fence. When ripping boards longer than three feet, use a work support at the rear of the saw to keep the workpiece from falling off the saw table.
3. If the size or shape of the workpiece would cause your hands to be within six inches of the saw blade, use a push stick to complete the cut (Fig. 71) The push stick can easily be made from scrap material as explained in the section "**CONSTRUCTING A PUSH STICK.**"
4. Ripping narrow pieces can be dangerous. If possible, rip the narrow piece from the larger piece. If the workpiece is short enough, use a pushboard. (A pushboard can be constructed as shown in Fig. 72 and used as shown in Fig. 73.)

NOTE: In Fig. 73, the guard and splitter have been removed for clarity. Use the guard and splitter when ripping.

5. For longer pieces, use one or more pushsticks to avoid placing your hands between the fence and the blade. Always use care to avoid binding narrow strips between the anti-kickback pawls and the splitter.

NOTE: Some special operations (moulding cutterhead, etc.) require the addition of an auxiliary wood facing to the fence, as explained in the section "**USING AUXILIARY WOOD FACING,**" and use of a push stick.

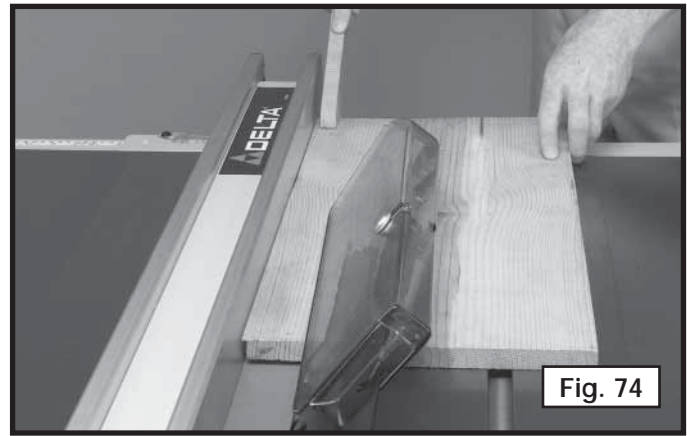


BEVEL RIPPING

Bevel ripping (Fig. 74) is the same as ripping except the bevel angle is set to an angle other than 0°.

⚠ WARNING: When possible, place the fence on the right side of the blade so that the blade is tilted away from the fence and hands. Keep your hands clear of the blade and use a pushstick to feed the workpiece if there is less than 6" between the fence and the blade.

⚠ WARNING: Use caution when starting the cut to prevent binding of the guard against the workpiece.



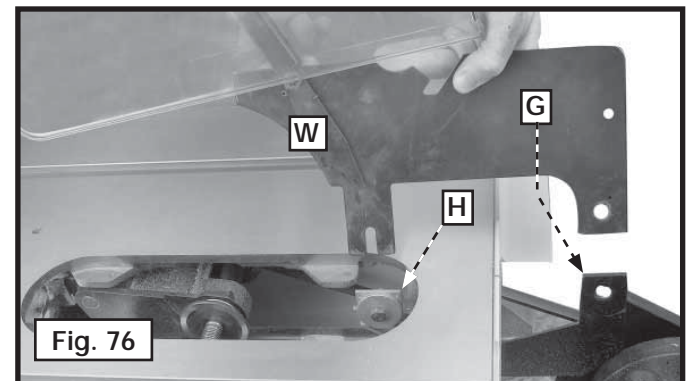
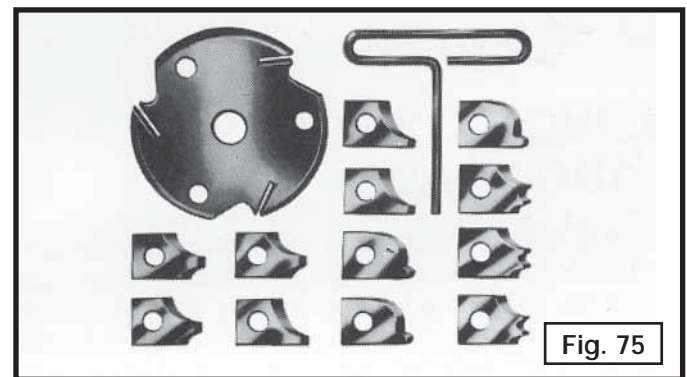
USING A MOULDING CUTTERHEAD

Moulding is cutting a shape on the edge or face of the workpiece with a special moulding cutterhead.

The moulding head consists of a cutterhead in which can be mounted various shapes of steel knives (Fig. 75). Each of the three knives in a set is fitted into a groove in the cutterhead and securely clamped with a screw. Keep the knife grooves free of sawdust to allow the cutter to seat properly.

⚠ CAUTION: For certain cutting operations (dadoing and moulding) where the workpiece is not cut completely through, the blade guard and splitter assembly cannot be used. Loosen screws at (G) and (H) Fig. 76. Lift and remove the blade guard and splitter assembly (W).

⚠ WARNING: Use pushsticks, hold-downs, jigs, fixtures, or featherboards to help guide and control the workpiece when the guard cannot be used.



NOTE: The outside arbor flange cannot be used with the moulding cutterhead. Tighten the arbor nut against the cutterhead body. Do not lose the outside arbor flange. It will be needed when reattaching a blade to the arbor.

⚠ WARNING: Always return and fasten the blade guard and splitter assembly to its proper operating position for normal thru-sawing operations.

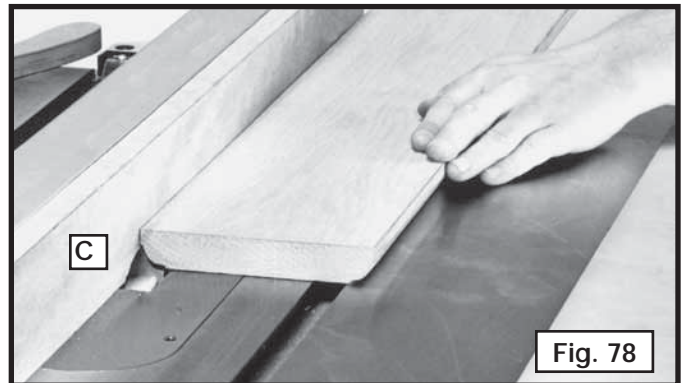
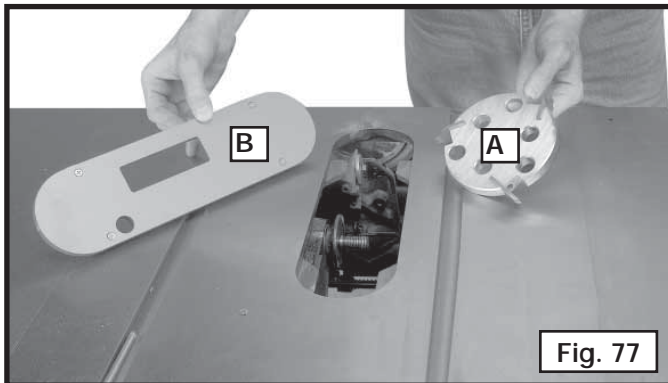
1. You can easily attach a moulding cutterhead (A) Fig. 77 to the saw arbor. Also, you must use the accessory moulding cutterhead table insert (B) in place of the standard table insert.
2. When using the moulding cutterhead, add wood-facing (C) to the face of the rip fence (Fig. 78). The wood-facing is attached to the fence with wood screws through holes which must be drilled in the fence. Stock that is 3/4" inch thick is suitable for most work, although an occasional job may require 1" facing.
3. Position the wood-facing over the cutterhead with the cutterhead below the surface of the table. Turn the saw on and raise the cutterhead. The cutterhead will cut its own groove in the wood-facing. Fig. 78 shows a typical moulding operation.

⚠ WARNING: Never use a moulding cutterhead in a bevel position.

⚠ WARNING: Never run the stock between the fence and the moulding cutterhead. Irregular-shaped wood will cause kickback.

⚠ CAUTION: Give special attention to the grain direction. Make all cuts in the same direction as the grain whenever possible.

⚠ WARNING: Always install the blade guard after the operation is complete.

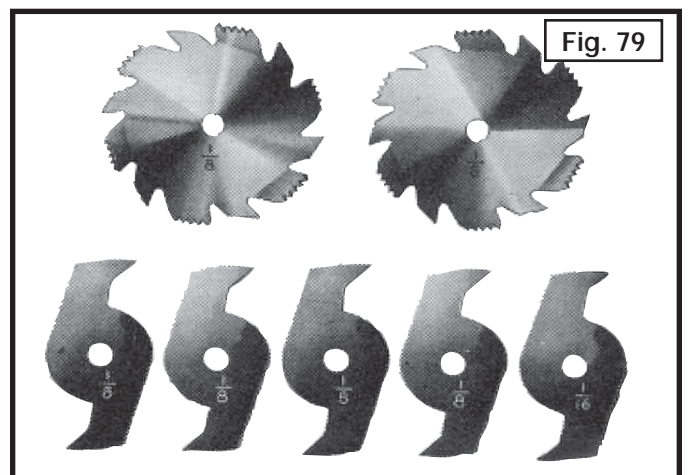


USING AN ACCESSORY DADO HEAD

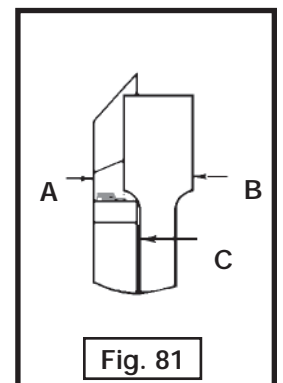
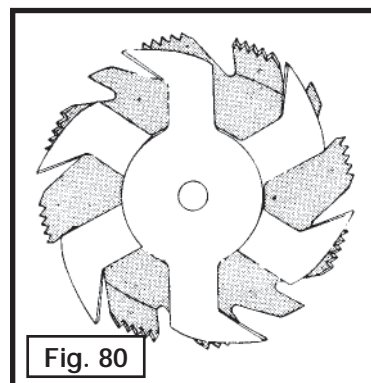
⚠ WARNING: The blade guard and splitter assembly cannot be used when dadoing or moulding. It must be removed as described in "USING AN ACCESSORY MOULDING CUTTERHEAD" section.

⚠ WARNING: Use pushsticks, hold-downs, jigs, fixtures, or featherboards to help guide and control the workpiece when the guard cannot be used.

⚠ CAUTION: The accessory dado head set table insert (B) Fig. 77 must be used in place of the standard table insert.



Dadoing is cutting a rabbet or wide groove into the workpiece. Most dado head sets are made up of two outside saws and four or five inside cutters, (Fig. 80). Various combinations of saws and cutters are used to cut grooves from 1/8" to 13/16" for use in shelving, making joints, tenoning, grooving, etc. The cutters are heavily swaged and must be arranged so that the teeth do not hit each other during rotation. The heavy portion of the cutters should fall in the gullets of the outside saws (Fig. 80). The saw and cutter overlap is shown in Fig. 81 - (A) being the outside saw, (B) an inside cutter, and (C) a paper washer or washers, used as needed to control the exact width of groove. A 1/4" groove is cut by using the two outside saws. Position the teeth of the saws so that the raker on one saw is beside the cutting teeth on the other saw.



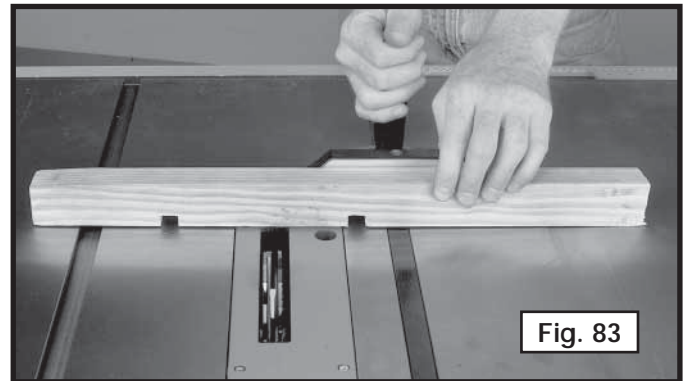
▲WARNING: Do not attempt to stack dado blades thicker than 13/16" (20mm) Do not use dado blades larger than 8" (200mm) in diameter.

Attach the dado head set (D) Fig. 82 to the saw arbor.

NOTE: If the arbor nut does not fully engage the thread on the arbor, remove the outside arbor flange and tighten the arbor nut against the dado head set body. Do not lose the outside arbor flange. It will be needed when reattaching a blade to the arbor.

▲CAUTION: Never use the dado head in a bevel position.

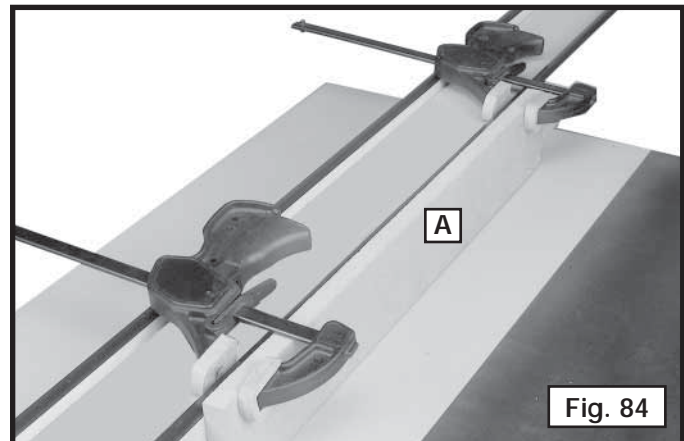
▲WARNING: Always install the blade guard and standard table insert after the operation is complete.



A typical dado operation is illustrated in Fig. 83.

USING AUXILIARY WOOD FACING

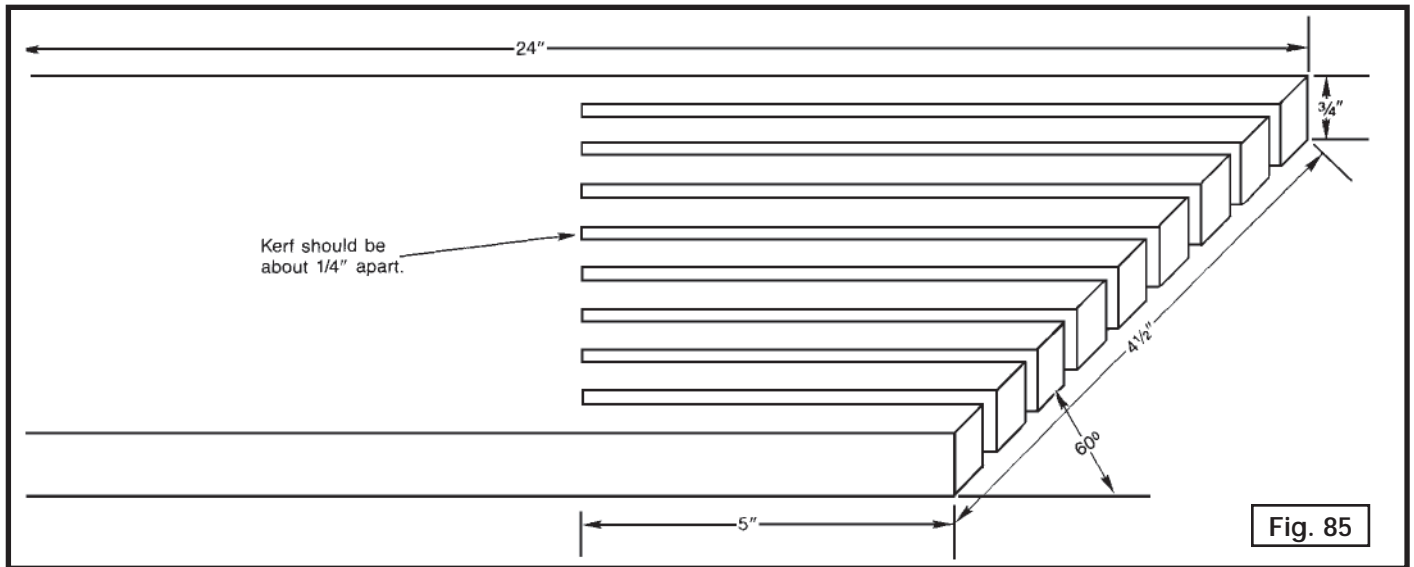
Add a wood facing (A) Fig. 84 to one or both sides of the rip fence when you perform special operations (moulding cutterhead, etc.). Depending on the fence, attach the wood facing or the fence either with wood screws through holes drilled in the fence, or with two clamps. For most work, 3/4" stock is suitable, although an occasional job may require 1" facing.



CONSTRUCTING A FEATHERBOARD

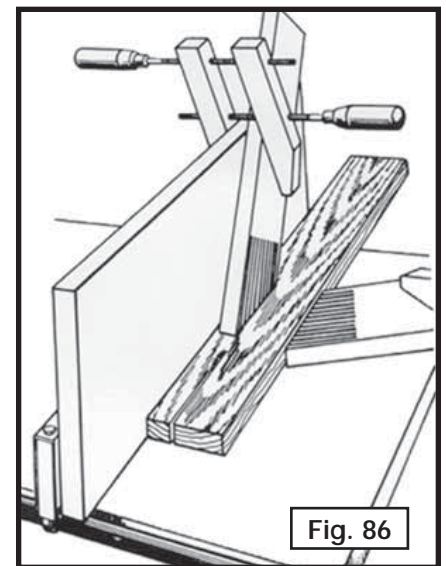
Featherboards are used to keep the work in contact with the fence and table (Fig. 86), and help prevent kickbacks. Dimensions for making a typical featherboard are shown in Fig. 85. Make your featherboard from a straight piece of wood that is free of knots and cracks. Clamp the featherboard to the fence and table so that the leading edge of the featherboard will support the workpiece until the cut is complete. An 8" high flat board can be clamped to the rip fence and the featherboard can be clamped to the 8" high board.

⚠ WARNING: Use featherboards for all non-thru-sawing operations where the guard and splitter assembly cannot be used. Always replace the guard and splitter assembly when the non-thru-sawing operation is complete. Make sure the featherboard presses only on the portion of the workpiece in front of the blade.



Further information on the safe and proper operation of table saws is available in the Delta "Getting the Most Out of Your Table Saw" How-To Book, Catalog No. 11-400. Additional information on table saw safety, including a table saw safety video, is available from the following:

POWER TOOL INSTITUTE
1300 Sumner Avenue
Cleveland, OH 44115-2851
www.powertoolinstitute.com

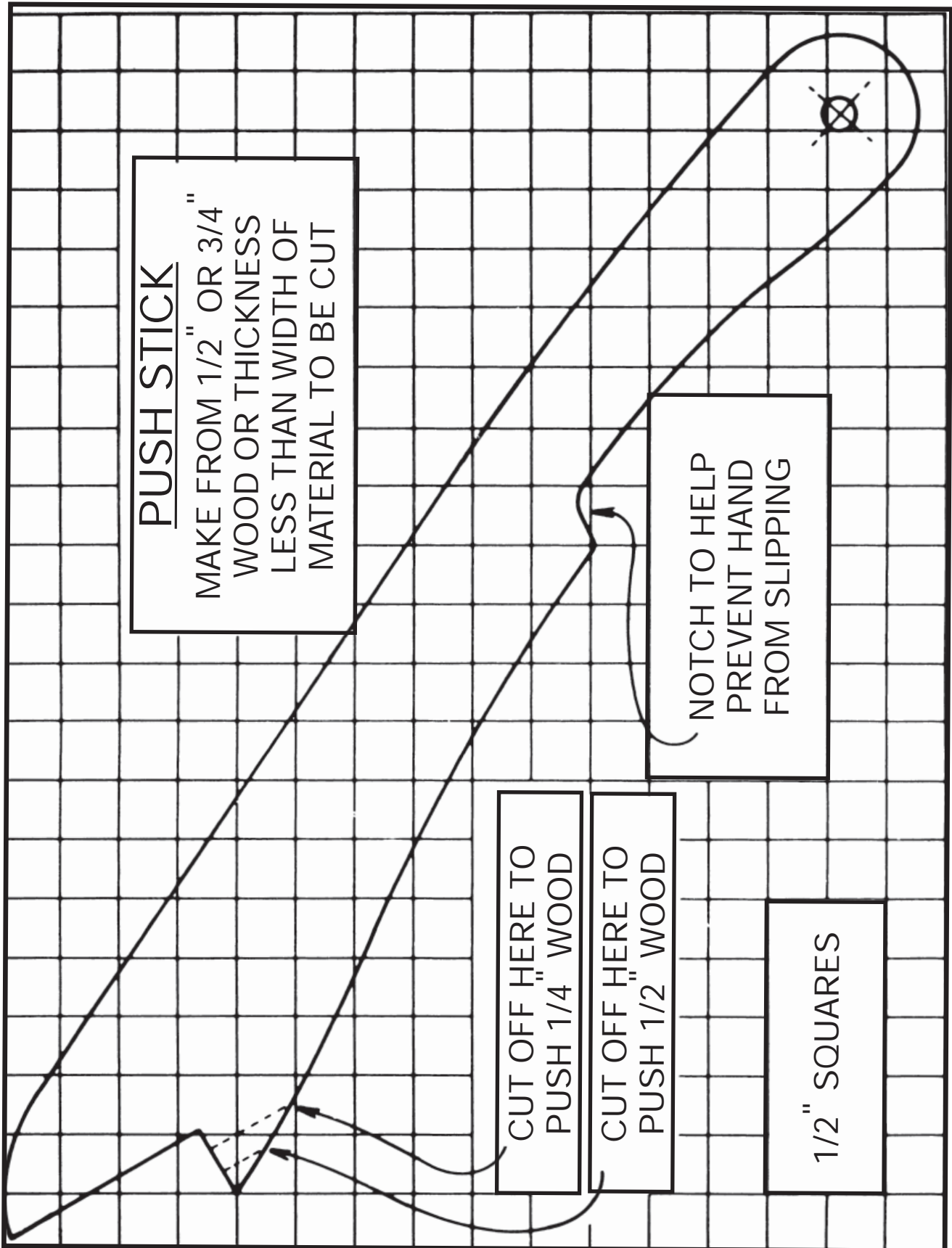


TROUBLESHOOTING

For assistance with your machine, visit our website at www.deltamachinery.com for a list of service centers or call the DELTA Machinery help line at 1-800-223-7278 (In Canada call 1-800-463-3582).

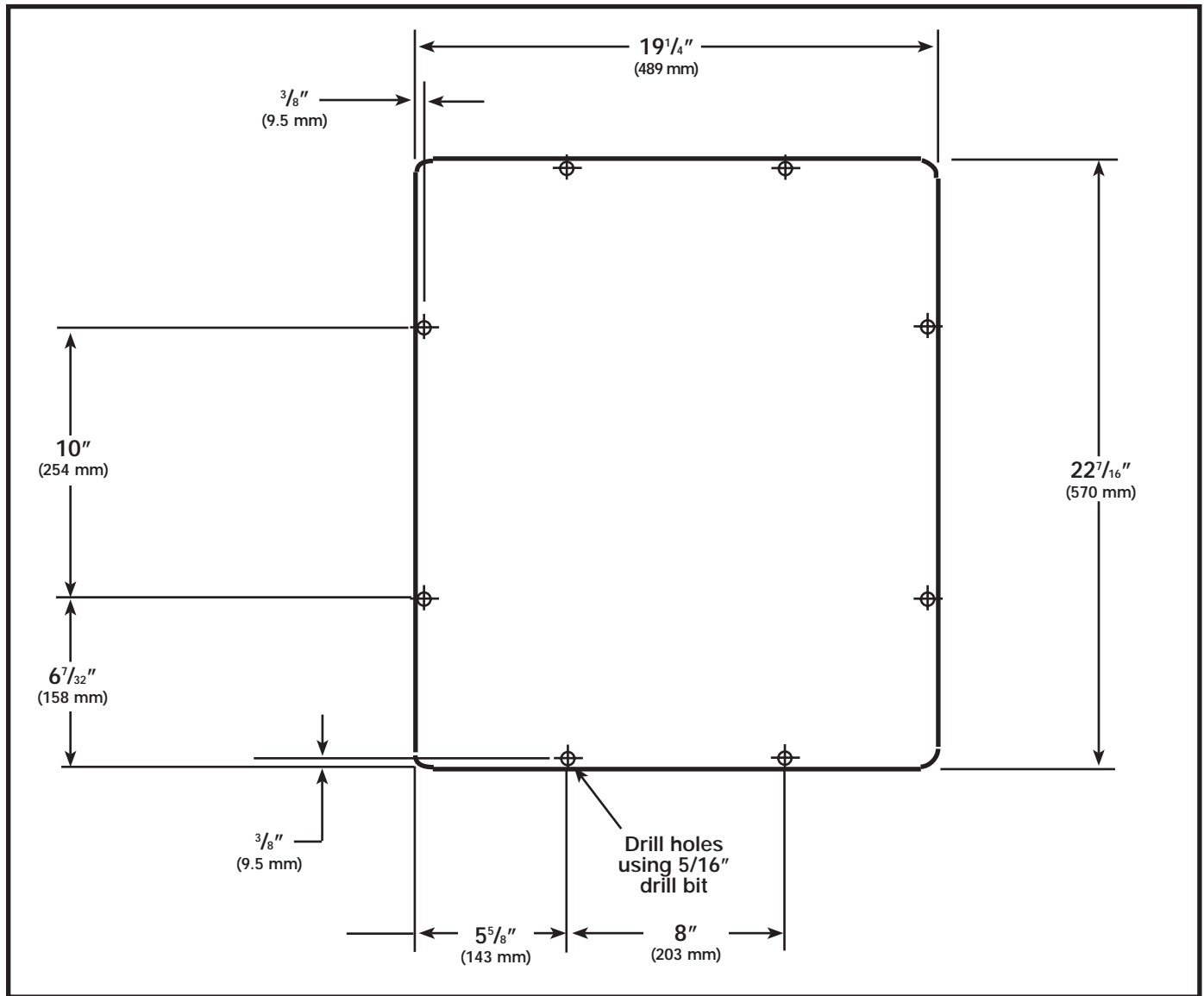
CONSTRUCTING A PUSH STICK

⚠ WARNING: When ripping work less than 6" wide, use a push stick to complete the feed, You can make one from scrap material by using this pattern.



SHELF MEASUREMENTS

If you desire to make a shelf for your saw, use the diagram below for the size of plywood and placement of holes. Attach the shelf to the stand and mobility kit while it is still upside down during the assembly procedure. Attach the shelf, once cut, by driving wood screws through the holes in the overhang of the leg supports.



MAINTENANCE

KEEP MACHINE CLEAN

Periodically blow out all air passages with dry compressed air. All plastic parts should be cleaned with a soft damp cloth. NEVER use solvents to clean plastic parts. They could possibly dissolve or otherwise damage the material.

⚠ WARNING: Wear certified safety equipment for eye, hearing and respiratory protection while using compressed air.

FAILURE TO START

Should your machine fail to start, check to make sure the prongs on the cord plug are making good contact in the outlet. Also, check for blown fuses or open circuit breakers in the line.

LUBRICATION & RUST PROTECTION

Apply household floor paste wax to the machine table and extension table or other work surface weekly. Or use a commercially available protective product designed for this

purpose. Follow the manufacturer's instructions for use and safety.

To clean cast iron tables of rust, you will need the following materials: a pushblock from a jointer, a sheet of medium Scotch-Brite™ Blending Hand Pad, a can of WD-40® and a can of degreaser. Apply the WD-40 and polish the table surface with the Scotch-Brite pad using the pushblock as a holddown. Degrease the table, then apply the protective product as described above.

BLADE RAISING AND BEVELING

If the blade raising and leveling mechanisms become difficult to operate, clean sawdust from the worm and sector gears (shown in Fig. 71). Apply a graphite-based lubricant that will not attract and hold dust.

SERVICE

REPLACEMENT PARTS

Use only identical replacement parts. For a parts list or to order parts, visit our website at servicenet.deltamachinery.com. You can also order parts from your nearest factory-owned branch, or by calling our Customer Care Center at 1-800-223-7278 to receive personalized support from highly-trained technicians.

SERVICE AND REPAIRS

All quality tools will eventually require servicing and/or replacement of parts. For information about Delta Machinery, its factory-owned branches, or an Authorized Warranty Service Center, visit

our website at www.deltamachinery.com or call our Customer Care Center at 1-800-223-7278. All repairs made by our service centers are fully guaranteed against defective material and workmanship. We cannot guarantee repairs made or attempted by others.

You can also write to us for information at Delta Machinery, 4825 Highway 45 North, Jackson, Tennessee 38305 - Attention: Product Service. Be sure to include all of the information shown on the nameplate of your tool (model number, type, serial number, etc.)

ACCESSORIES

A complete line of accessories is available from your Delta Supplier, Porter-Cable • Delta Factory Service Centers, and Delta Authorized Service Stations. Please visit our Web Site www.deltamachinery.com for a catalog or for the name of your nearest supplier.

▲WARNING: Since accessories other than those offered by Delta have not been tested with this product, use of such accessories could be hazardous. For safest operation, only Delta recommended accessories should be used with this product.

WARRANTY

To register your tool for warranty service visit our website at www.deltamachinery.com.

Two Year Limited New Product Warranty

Delta will repair or replace, at its expense and at its option, any new Delta machine, machine part, or machine accessory which in normal use has proven to be defective in workmanship or material, provided that the customer returns the product prepaid to a Delta factory service center or authorized service station with proof of purchase of the product within two years and provides Delta with reasonable opportunity to verify the alleged defect by inspection. For all refurbished Delta product, the warranty period is 180 days. Delta may require that electric motors be returned prepaid to a motor manufacturer's authorized station for inspection and repair or replacement. Delta will not be responsible for any asserted defect which has resulted from normal wear, misuse, abuse or repair or alteration made or specifically authorized by anyone other than an authorized Delta service facility or representative. Under no circumstances will Delta be liable for incidental or consequential damages resulting from defective products. This warranty is Delta's sole warranty and sets forth the customer's exclusive remedy, with respect to defective products; all other warranties, express or implied, whether of merchantability, fitness for purpose, or otherwise, are expressly disclaimed by Delta.

LES INSTRUCTIONS IMPORTANTES DE SURETE

▲ AVERTISSEMENT Lire et comprendre toutes instructions d'avertissements et opération avant d'utiliser n'importe quel outil ou n'importe quel équipement. En utilisant les outils ou l'équipement, les précautions de sûreté fondamentales toujours devraient être suivies pour réduire le risque de blessure personnelle. L'opération déplacée, l'entretien ou la modification d'outils ou d'équipement ont pour résultat la blessure sérieux et les dommages de propriété. Il y a de certaines applications pour lequel outils et l'équipement sont conçus. La Delta Machinery recommande avec force que ce produit n'ait pas modifié et/ou utilisé pour l'application autrement que pour lequel il a été conçu.

Si vous avez n'importe quelles questions relatives à son application n'utilisent pas le produit jusqu'à ce que vous avez écrit Porter-Cable et nous vous avons conseillé.

La forme en ligne de contact à www.deltamachinery.com
Courrier Postal: Technical Service Manager

Delta Machinery
4825 Highway 45 North
Jackson, TN 38305

Information en ce qui concerne l'opération sûre et correcte de cet outil est disponible des sources suivantes:

Power Tool Institute
1300 Sumner Avenue, Cleveland, OH 44115-2851

www.powertoolinstitute.org

National Safety Council
1121 Spring Lake Drive, Itasca, IL 60143-3201

American National Standards Institute, 25 West 43rd Street, 4 floor, New York, NY 10036 www.ansi.org ANSI 01.1 Safety Requirements for Woodworking Machines, and the U.S. Department of Labor regulations www.osha.gov

MESURES DE SÉCURITÉ - DÉFINITIONS

Ce guide contient des renseignements importants que vous deviez bien saisir. Cette information porte sur **VOTRE SÉCURITÉ** et sur **LA PRÉVENTION DE PROBLÈMES D'ÉQUIPEMENT**. Afin de vous aider à identifier cette information, nous avons utilisé les symboles ci-dessous. Veuillez lire attentivement ce guide en portant une attention particulière à ces sections.

▲ DANGER : Indique un danger imminent qui, s'il n'est pas évité, causera de graves blessures ou la mort.

▲ AVERTISSEMENT : Indique la possibilité d'un danger qui, s'il n'est pas évité, pourrait causer de graves blessures ou la mort.

▲ ATTENTION : Indique la possibilité d'un danger qui, s'il n'est pas évité, peut causer des dommages à la propriété.

ATTENTION : Sans le symbole d'alerte. Indique la possibilité d'un danger qui, s'il n'est pas évité, peut causer des dommages; mineures ou moyennes.

LA PROPOSITION DE CALIFORNIE 65

▲ AVERTISSEMENT La poussière produite par le ponçage électrique le sciage, le meulage, le perçage et autres activités de construction peut contenir des produits chimiques qui sont reconnus, par l'état de la Californie, de causer le cancer, les anomalies congénitales ou autres maux de reproduction. Ces produits chimiques comprennent, entre autres :

- le plomb provenant des peintures à base de plomb;
- la silice cristalline provenant de briques, de béton ou d'autres produits de maçonnerie
- l'arsenic et le chrome provenant du bois de charpente traité chimiquement

Le risque d'exposition à ces produits dépend de la fréquence d'exécution de ce genre de travaux. Afin de réduire l'exposition à ces produits chimiques, travaillez dans un endroit bien aéré et utilisez de l'équipement de sécurité approuvé, portez toujours un masque facial ou respirateur homologué **MSHA/NIOSH** bien ajusté lorsque vous utilisez de tels outils.

CONSERVEZ CES INSTRUCTIONS!

ÉTIQUETTES D'AVERTISSEMENT SUR L'OUTIL

Avant utilisation, veuillez lire les étiquettes d'avertissement apposées sur la scie. Lire aussi toutes les étiquettes d'avertissement comprises avec le guide installé sur la scie. Si les étiquettes d'avertissement de la scie identifiées ci-dessous deviennent illisibles ou sont manquantes, communiquer avec le service à la clientèle Delta pour en obtenir le remplacement gratuitement (les renseignements pertinents sont indiqués dans la section des « réparations » de ce mode d'emploi).

⚠ WARNING

FOR YOUR OWN SAFETY

1. READ AND UNDERSTAND INSTRUCTION MANUAL BEFORE OPERATING TABLE SAW.
2. Always wear eye protection.
3. Always use blade guard and splitter for every operation for which it can be used including all through sawing.
4. Keep hands out of path of the line of the saw blade.
5. Use push stick when required.
6. Do not perform any operation free hand. Use fence when ripping and miter gage when cross-cutting. Never use the miter gage and rip fence together.
7. Know how to avoid risk of kickback.
8. Never reach in back of or over saw blade.
9. Do not remove jammed or cut-off pieces until blade has stopped.
10. Disconnect machine from power source before making repairs or adjustments.
11. Do not expose to rain or use in damp locations.
12. When using this tool, do not wear gloves, neckties, jewelry or loose clothing.
13. Wear protective hair covering to contain long hair.
14. Tighten the blade arbor nut securely before operating.
15. Do not use the machine when you are tired, or under the influence of drugs, alcohol, or medication.
16. Do not operate saw with the foot lever castor in the down position.
17. Failure to follow these safety rules may result in serious personal injury.

⚠ ADVERTENCIA

PARA SU PROPIA SEGURIDAD

1. LEA Y COMPRENDA EL MANUAL DE INSTRUCCIONES ANTES DE UTILIZAR LA SIERRA DE MESA.
2. Siempre utilice protección para los ojos.
3. Utilice siempre el ensamble del protector de la hoja y el hendedor para cualquier operación en la que se pueda utilizar, incluidos todos los cortes con sierra.
4. Mantenga las manos alejadas del trayecto de la hoja de la sierra.
5. Utilice la vara para empujar cuando sea necesario.
6. No realice ninguna operación sin usar las manos. Utilice la goma de corte conjuntamente.
7. Sepa cómo evitar el riesgo de retrocesos.
8. Nunca se extienda para alcanzar algo detrás sobre la hoja de la sierra.
9. No retire piezas atascadas o cortadas hasta que la hoja se haya detenido.
10. Desconecte la máquina de la fuente de energía antes de realizar reparaciones o ajustes.
11. No exponga a la lluvia ni utilice en lugares húmedos.
12. No utilice guantes, corbatas alhijas ni ropa holgada cuando use esta herramienta.
13. Si tiene el cabello largo, recójalo y cúbralo.
14. Ajuste bien la tuerca de eje de la hoja antes de operar la unidad.
15. No opere la máquina si está cansado, o bajo el efecto de drogas, alcohol o medicamentos.
16. No opere la sierra cuando la rueda de la pista niveladora está en la posición hacia abajo.
17. El incumplimiento de estas normas de seguridad puede provocar daños personales graves.

⚠ AVERTISSEMENT

POUR VOTRE PROPRE SÉCURITÉ

1. BIEN LIRE ET COMPRENDRE LE MODE D'EMPLOI AVANT D'UTILISER LE BANC DE SCIE.
2. Toujours porter une protection oculaire.
3. Toujours utiliser un pare-main et un couteau séparateur pour toutes les opérations demandant son utilisation, y compris tout débitage complet.
4. Garder les mains hors de la trajectoire de la lame de la scie.
5. Utiliser un poussoir au besoin.
6. Effectuer toute opération en tenant l'outil des deux mains. Utiliser le guide longitudinal pour le sciage en long et la jauge à onglet pour le tronçonnage. Ne jamais utiliser la jauge à onglet et le guide longitudinal en même temps.
7. Connaître les techniques pour empêcher le risque associé à l'effet de rebond.
8. Ne jamais passer les mains à l'arrière ou au-dessus de la lame de la scie.
9. Ne pas retirer les pièces coupées ou coincées avant l'arrêt complet de la lame.
10. Débrancher la machine de l'effectuer des réparations ou des réglages.
11. Ne pas exposer la scie à la pluie et ne pas l'utiliser dans un endroit humide.
12. Lors de l'utilisation de cet outil, ne pas porter ni gant, ni cravatte, ni bijoux ou vêtements amples.
13. Se couvrir les cheveux s'ils sont longs.
14. Serrer solidement l'écrou d'axe de la lame avant de l'utiliser.
15. Ne pas utiliser la machine en cas de fatigue ou sous l'influence de drogues, d'alcool ou de médicaments.
16. Ne pas utiliser la scie avec la commande à pieds des roulettes en position basse.
17. Ne pas oublier de suivre tous ces règles de sécurité peut entraîner.

⚠ WARNING

TO PREVENT KICKBACK, USE THE BLADE GUARD AND SPLITTER FOR ALL THROUGH SAWING. KEEP HANDS OUT OF THE LINE OF THE SAWBLADE. USE A PUSHSTICK AND FEATHERBOARDS WHEN REQUIRED.

⚠ ADVERTENCIA

PARA PREVENIR EL RETROCESO, UTILICE EL PROTECTOR DE LA HOJA Y EL HENDEDOR PARA TODOS LOS CORTES CON SIERRA. MANTENGA LAS MANOS ALEJADAS DEL TRAYECTO DE LA HOJA DE LA SIERRA. UTILICE LA VARA PARA EMPUJAR Y TABLAS DE CANTO BISELADO CUANDO SEA NECESARIO.

⚠ AVERTISSEMENT

POUR EMPÊCHER TOUT EFFET DE REBOND, UTILISER LE PARE-MAIN ET LE COUPEAU SÉPARATEUR POUR TOUT DÉBITAGE COMPLET. GARDER LES MAINS HORS DE LA TRAJECTOIRE DE LA LAME DE LA SCIE. UTILISER UN POUSSOIR ET DES PLANCHES EN ÉVENTUEL AU BESOIN.

RÈGLES DE SÉCURITÉ GÉNÉRALES

▲ AVERTISSEMENT L'inobservation de ces règles peut conduire à des blessures graves.

- 1. POUR SA SÉCURITÉ PERSONNELLE, LIRE LA NOTICE D'UTILISATION, AVANT DE METTRE LA MACHINE EN MARCHÉ,** et pour aussi apprendre l'application et les limites de la machine ainsi que les risques qui lui sont particuliers ainsi, les possibilités d'accident et de blessures seront beaucoup réduites.
- 2. PORTEZ DES DISPOSITIFS DE PROTECTION DES YEUX ET DE L'OUÏE. UTILISEZ TOUJOURS DES LUNETTES DE SÉCURITÉ.** Des lunettes ordinaires ne constituent PAS des lunettes de sécurité. **UTILISEZ DES ÉQUIPEMENTS DE SÛRETÉ HOMOLOGUÉS.** Les dispositifs de protection des yeux doivent être conformes aux normes ANSI Z87.1. Les dispositifs de protection de l'ouïe doivent être conformes aux normes ANSI S3.19.
- 3. PORTER UNE TENUE APPROPRIÉE.** Pas de cravates, de gants, ni de vêtements amples. Enlever montre, bagues et autres bijoux. Rouler les manches. Les vêtements ou les bijoux qui se trouvent pris dans les pièces mobiles peuvent entraîner des blessures.
- 4. NE PAS UTILISER LA MACHINE DANS UN ENVIRONNEMENT DANGEREUX.** L'utilisation d'outils électriques dans des endroits humides ou sous la pluie peut entraîner des décharges électriques ou une électrocution. Garder la zone de travail bien éclairée pour éviter de trébucher ou d'exposer les doigts, les mains ou les bras à une situation dangereuse.
- 5. GARDER LES OUTILS ET LES MACHINES EN PARFAIT ÉTAT.** Garder les outils affûtés et propres afin d'obtenir le meilleur et le plus sûr rendement. Suivre les instructions pour lubrifier et changer les accessoires. Les outils et les machines mal entretenus peuvent se dégrader davantage, et/ou entraîner des blessures.
- 6. INSPECTER LES PIÈCES POUR DÉCELER TOUT DOMMAGE.** Avant d'utiliser la machine, la vérifier pour voir s'il n'y a pas de pièces endommagées. Vérifier l'alignement des pièces mobiles et si ces pièces ne se coincent pas, la rupture de pièces, ou toute autre condition pouvant en affecter le fonctionnement. Toute pièce ou protecteur endommagé doit être réparé ou remplacé. Les pièces endommagées peuvent dégrader davantage la machine et/ou entraîner des blessures.
- 7. GARDER L'AIRE DE TRAVAIL PROPRE.** Les zones et établis encombrés favorisent les accidents.
- 8. GARDER LES ENFANTS ET LES VISITEURS À DISTANCE.** L'atelier est un lieu potentiellement dangereux. Les enfants et les visiteurs peuvent se blesser.
- 9. ÉVITER LE DÉMARRAGE ACCIDENTEL.** S'assurer que l'interrupteur est sur « OFF » (ARRÊT) avant de brancher le cordon. En cas de coupure de courant, placer l'interrupteur à la position « OFF » (ARRÊT). Un démarrage accidentel peut entraîner des blessures.
- 10. UTILISER LES DISPOSITIFS PROTECTEURS.** Vérifier que tous les dispositifs protecteurs sont bien en place, bien fixés et en bon état de marche pour éviter les blessures.
- 11. ENLEVER LES CLÉS DE RÉGLAGE ET CELLES DE SERRAGE AVANT DE METTRE LA MACHINE EN MARCHÉ.** Les outils, les chutes et les autres débris peuvent être projetés violemment et blesser.
- 12. UTILISER LA BONNE MACHINE.** Ne pas forcer la machine ou l'accessoire à faire un travail pour lequel il n'a pas été conçu. Des dommages à la machine et/ou des blessures pourraient s'ensuivre.
- 13. UTILISER LES ACCESSOIRES RECOMMANDÉS.** L'utilisation d'accessoires non recommandés par Delta peut endommager la machine et blesser l'utilisateur.
- 14. UTILISER LE CORDON PROLONGATEUR APPROPRIÉ.** S'assurer que le cordon prolongateur est en bon état. Lorsqu'un cordon prolongateur est utilisé, s'assurer que celui-ci est d'un calibre suffisant pour l'alimentation nécessaire à la machine. Un cordon d'un calibre insuffisant entraînera une perte de tension d'où une perte de puissance et surchauffe. Voir le tableau sur les cordons prolongateurs pour obtenir le calibre approprié selon la longueur du cordon et l'ampérage de la machine. S'il y a un doute, utiliser un cordon d'un calibre supérieur. Plus le chiffre est petit, plus le fil est gros.
- 15. FIXER LA PIÈCE.** Utilisez les brides ou l'étau quand vous ne pouvez pas fixer l'objet sur la table et contre la barrière à la main ou quand votre main sera dangereusement près de la lame (à moins de 6").
- 16. AVANCER LA PIÈCE DANS LE SENS CONTRAIRE À LA ROTATION DE LA LAME, DE LA FRAISE OU DE LA SURFACE ABRASIVE.** L'alimentation dans l'autre sens peut entraîner une projection violente de la pièce.
- 17. NE PAS FORCER LA MACHINE EN AVANÇANT LA PIÈCE TROP VITE.** Des dommages et/ou des blessures peuvent s'ensuivre.
- 18. NE PAS SE PENCHER AU-DESSUS DE LA MACHINE.** Une perte de l'équilibre peut entraîner une chute sur la machine en marche et causer des blessures.
- 19. NE JAMAIS MONTER SUR LA MACHINE.** On peut se blesser gravement si la machine bascule ou si l'on touche accidentellement son outil tranchant.
- 20. NE JAMAIS LAISSER LA MACHINE EN MARCHÉ SANS SURVEILLANCE. COUPER LE COURANT.** Ne pas quitter la machine tant qu'elle n'est pas complètement arrêtée. Un enfant ou un visiteur pourrait se blesser.
- 21. METTRE LA MACHINE À L'ARRÊT « OFF » ET LA DÉBRANCHER** avant d'installer ou d'enlever des accessoires, d'ajuster ou de changer des montages, ou lors des réparations. Un démarrage accidentel peut entraîner des blessures.
- 22. METTRE L'ATELIER À L'ABRI DES ENFANTS AU MOYEN DE CADENAS, D'INTERRUPTEURS PRINCIPAUX OU EN ENLEVANT LES BOUTONS DES DISPOSITIFS DE MISE EN MARCHÉ.** Le démarrage accidentel de la machine par un enfant ou un visiteur peut entraîner des blessures.
- 23. RESTER VIGILANT, ATTENTIF, ET FAIRE PREUVE DE BON SENS. NE PAS UTILISER LA MACHINE LORSQUE L'ON EST FATIGUÉ OU SOUS L'INFLUENCE DE DROGUES, D'ALCOOL OU DE MÉDICAMENTS.** Un instant d'inattention lors de l'utilisation d'outils électriques peut entraîner des blessures graves.
- 24. ▲ AVERTISSEMENT L'UTILISATION DE CET OUTIL PEUT PRODUIRE ET DISPERSER DE LA POUSSIÈRE OU D'AUTRES PARTICULES EN SUSPENSION DANS L'AIR, TELLES QUE LA SCIURE DE BOIS, LA POUSSIÈRE DE SILICIUM CRISTALLIN ET LA POUSSIÈRE D'AMIANTE.** Dirigez les particules loin du visage et du corps. Faites toujours fonctionner l'outil dans un espace bien ventilé et prévoyez l'évacuation de la poussière. Utilisez un système de dépoussiérage chaque fois que possible. L'exposition à la poussière peut causer des problèmes de santé graves et permanents, respiratoires ou autres, tels que la silicose (une maladie pulmonaire grave) et le cancer, et même le décès de la personne affectée. Évitez de respirer de la poussière et de rester en contact prolongé avec celle-ci. En laissant la poussière pénétrer dans vos yeux ou votre bouche, ou en la laissant reposer sur votre peau, vous risquez de promouvoir l'absorption de substances toxiques. Portez toujours des dispositifs de protection respiratoire homologués par NIOSH/OSHA, appropriés à l'exposition à la poussière et de taille appropriée, et lavez à l'eau et au savon les surfaces de votre corps qui ont été exposées.

RÈGLES SPÉCIFIQUES ADDITIONNELLES DE SÛRETÉ

▲ AVERTISSEMENT L'inobservation de ces règles peut conduire à des blessures graves.

- NE PAS FAIRE FONCTIONNER CETTE MACHINE** avant qu'elle ne soit entièrement assemblée et installée conformément à ces directives.
- DEMANDER CONSEIL À UN SUPERVISEUR**, instructeur, ou toute autre personne qualifiée si vous ne maîtrisez pas parfaitement l'utilisation de cette machine.
- SUIVRE TOUS LES CODES DE CÂBLAGE** et les connexions électriques recommandées.
- TOUJOURS UTILISER LES PARE-MAINS, LE COUTEAU SÉPARATEUR, ET LES CLIQUETS ANTI-EFFET DE REBOND** chaque fois que possible, y compris tout débitage complet. Vérifier qu'ils sont bien en place, fixés et qu'ils fonctionnent correctement. Effectuer un essai du fonctionnement du cliquet anti-effet de rebond avant de scier en long en poussant la pièce de bois sous les dents anti-effet de rebond. Les dents doivent empêcher la projection de la pièce de bois vers l'avant de la scie.
- LA COUPE DE L'OUVRAGE SANS UTILISER DE GUIDE OU DE JAUGE À ONGLET EST APPELÉE COUPE « À MAINS LIBRES ».** **NE JAMAIS** effectuer d'opération « à mains libres ». Utiliser le guide ou la jauge à onglet pour positionner et guider l'ouvrage.
- TENIR FERMEMENT L'OUVRAGE** contre la jauge à onglet ou le guide.
- L'ACTION DE COUPER COMPLÈTEMENT À TRAVERS L'OUVRAGE EST APPELÉ « DÉBITAGE COMPLET ».** Le sciage en long et la coupe transversale sont des opérations de débitage complet. L'action de couper dans le sens du fil s'appelle sciage en long. Utiliser un guide ou un système de guidage pour scier en long. **NE JAMAIS** utiliser une jauge à onglet pour le sciage en long. Utiliser des poussoirs pour scier en long un ouvrage étroit. L'action de couper à contrefil s'appelle tronçonnage. Ne jamais utiliser un guide ou un système de guidage pour tronçonner. Utiliser plutôt une jauge à onglet.
- L'EFFET DE REBOND EST LE FAIT QUE L'OUVRAGE A NATURELLEMENT TENDANCE À ÊTRE PROJETÉ VERS L'OPÉRATEUR** après avoir heurté ou pincé la lame. L'effet de rebond est dangereux et peut résulter en de graves blessures.
POUR ÉVITER L'EFFET DE REBOND :
 - maintenir la lame affûtée, exempte de rouille ou de résine.
 - garder le guide longitudinal parallèle à la lame de la scie.
 - utiliser un pare-main et un couteau séparateur pour toutes les opérations demandant leur utilisation, y compris tout débitage complet.
 - maintenir le couteau séparateur aligné avec la lame de la scie.
 - maintenir les cliquets anti-effet de rebond en place et bien affûtés
 - pousser l'ouvrage pour qu'il dépasse de la lame avant la relâche.
 - ne jamais scier en long un ouvrage tordu ou déformé, ou n'ayant pas un bord droit qui permette de le déplacer le long du guide.
 - utiliser des planches en éventail lorsque le dispositif anti-effet de rebond ou le pare-main et le couteau séparateur ne peuvent être utilisés.
 - ne jamais scier un gros ouvrage dont on ne peut pas assurer le contrôle.
 - ne jamais utiliser le guide comme pare-main pour un tronçonnage.
 - ne jamais scier un ouvrage à noeud vicieux, avec défauts, clous ou tout autre corps étranger.
 - ne jamais scier en long un ouvrage de moins de 254 mm (10 po).
- NE JAMAIS UTILISER DE MEULES ABRASIVES** sur cette scie.
- NE PAS COUPER DE MÉTAL AVEC CETTE SCIE.**
- DÉGAGER LA TABLE DES PIÈCES COUPÉES ET CHUTES** avant de démarrer la scie. Les vibrations de la machine peuvent les entraîner vers la lame de la scie et les projeter.
- LES PIÈCES COUPÉES PEUVENT -TRE PROJETÉES VERS L'OPÉRATEUR.** Pour les grandes pièces coupées, utiliser un poussoir pour pousser la pièce au-delà de la lame puis vers l'arrière de la table de la scie. Ne pas se pencher au-dessus de la table pour atteindre l'autre côté. -tre attentif et empêcher que de petits morceaux ne touchent la lame.
- NE JAMAIS TENTER DE DÉBLOQUER UNE LAME COINCÉE SANS AVOIR ÉTEINT LA MACHINE AU PRÉALABLE.** Si un ouvrage ou une pièce coupée se coince à l'intérieur du pare-main, éteindre la scie et attendre que la lame s'arrête avant de soulever le pare-main pour retirer la pièce.
- NE JAMAIS DÉMARRER LA MACHINE** avec l'ouvrage contre la lame.
- NE JAMAIS** placer l'ouvrage entre le guide et la fraise à moulurer.
- TENIR LES BRAS, MAINS, ET DOIGTS** éloignés de la lame. Utiliser un poussoir pour pousser les petits ouvrages sous la scie. Un poussoir est un petit bâton de bois, normalement fait maison, qui s'utilise pour éviter d'approcher vos mains à près de 15,2 cm (6 po) de la lame à chaque fois que la taille ou la forme de l'ouvrage l'exige. Consulter « FABRICATION D'UN POUSSOIR » à la fin de ce mode d'emploi pour les directives relatives à la fabrication de votre propre poussoir.
- ÉVITER LES OPÉRATIONS MALADROITES ET ÉVITER D'AVOIR LES MAINS MAL PLACÉES :** en glissant soudainement, une main pourrait percuter la lame.
- AUCUNE** partie du corps ne doit se trouver dans la trajectoire de la lame de la scie.
- NE PAS LAISSER LES MAINS AUTOUR** de la lame ou sur celle-ci.
- SOUTENIR CORRECTEMENT LES OUVRAGES LONGS (91 cm (3 pi) ou plus) OU LARGES (91 cm (36 po) ou plus).** Si des tables extensibles plus larges que 61 cm (24 po) sont reliées à la scie, boulonner le socle de la scie au plancher ou utiliser des stabilisateurs robustes pour empêcher le basculement.
- EMP-CHER LES MOUVEMENTS DE LA SCIE EN COURS D'UTILISATION.** Si les accessoires de la trousse de mobilité sont installés, abaisser la commande à pieds et mettre les pieds de la table à niveau de sorte que la scie ne puisse balancer, « marcher », glisser ou basculer. Le cas échéant, fixer solidement le socle au plancher.
- NE JAMAIS EFFECTUER D'OPÉRATION DE TRAÇAGE,** d'assemblage, ou de réglage sur la table/l'espace de travail lorsque la machine est en marche.
- ÉTEINDRE L'APPAREIL ET LE DÉBRANCHER DE LA SOURCE D'ALIMENTATION** avant de poser ou de retirer tout accessoire, de changer la lame de la scie ou d'ajuster ou modifier les réglages. Verrouiller l'interrupteur en position d'arrêt (« OFF ») au cours de réparations.
- NETTOYER LA TABLE/ESPACE DE TRAVAIL AVANT DE LAISSER LA MACHINE.** Verrouiller l'interrupteur en position d'arrêt afin d'éviter toute utilisation non autorisée.
- DES INFORMATIONS SUPPLÉMENTAIRES** (i.e. une vidéo sur la sécurité), indiquant comment utiliser des outils électriques correctement et en toute sécurité, sont disponibles auprès du Power Tool Institute, 1300 Sumner Avenue, Cleveland, OH 44115-2851, États-Unis (www.powertooinstitute.com). Vous pouvez également vous procurer des informations auprès du National Safety Council, 1121 Spring Lake Drive, Itasca, IL 60143-3201, États-Unis. Veuillez vous reporter à la norme ANSI 01.01 de l'American National Standards Institute concernant les machines de travail du bois, ainsi que la réglementation OSHA 1910.213 du département américain du travail.

CONSERVER CES DIRECTIVES.

Les consulter souvent et les utiliser pour donner des directives aux autres.

RACCORDEMENTS ÉLECTRIQUES

Un circuit électrique séparé doit être utilisé pour les machines. Les fils de ce circuit doivent être au moins de calibre 12. Ce circuit doit être protégé par un fusible temporisé de 20 A. Si on utilise un cordon prolongateur, ce cordon doit être à trois fils, avoir une fiche à trois broches et une prise de courant à trois cavités, mise à la terre qui correspond à la fiche de la machine. Avant de brancher la machine, s'assurer que l'interrupteur (les interrupteurs) se trouve(nt) en position « OFF » (ARRÊT) et que le courant électrique présente les mêmes caractéristiques que celles qui sont inscrites sur la machine. Toutes les connexions électriques doivent établir un bon contact. Le fonctionnement sur une basse tension endommagera la machine.

⚠ DANGER Ne pas exposer la machine à la pluie, et ne pas l'utiliser dans des endroits humides.

SPÉCIFICATIONS DU MOTEUR

Cette machine est câblée pour un fonctionnement sur un courant alternatif de 120/240 volts 60 Hz. Avant de brancher la machine, s'assurer que l'interrupteur se trouve à la position « OFF » (ARRÊT).

INSTRUCTIONS DE MISE À LA TERRE

⚠ DANGER Cette machine doit être mise à la terre pendant son emploi, afin de protéger l'utilisateur des décharges électriques

1. **Toutes les machines avec cordon mis à la terre:** Dans l'éventualité d'un mauvais fonctionnement ou d'une panne, la mise à la terre fournit un trajet de moindre résistance permettant de réduire le risque de décharge électrique. Cette machine est dotée d'un cordon électrique possédant un conducteur de mise à la terre de l'équipement ainsi que d'une fiche mise à la terre. La fiche doit être branchée dans une prise de courant correspondante, installée de façon adéquate et mise à la terre conformément à tous les codes et règlements locaux.

Ne pas modifier la fiche fournie - si elle ne s'adapte pas à la prise de courant, il faut faire installer une prise de courant convenable par un électricien compétent.

Un mauvais raccordement du conducteur de mise à la terre de l'équipement peut entraîner un risque de décharge électrique. Le conducteur possédant un isolant avec surface extérieure de couleur verte, avec ou sans rayures jaunes, est le conducteur de mise à la terre de l'équipement. Si une réparation ou un remplacement du cordon électrique s'avère nécessaire, ne pas brancher le conducteur de mise à la terre de l'équipement à une borne sous tension.

Consulter un électricien compétent ou le personnel de service après-vente si on ne comprend pas entièrement les instructions de mise à la terre, ou si l'on doute que la machine soit correctement mise à la terre.

Utiliser seulement des cordons prolongateurs à trois fils dotés d'une fiche mise à la terre, à trois broches, et de prises à trois cavités convenant à la fiche de la machine, comme l'illustre la figure A.

Réparer ou remplacer sans délai tout cordon endommagé ou usé.

2. **Machines avec cordon mis à la terre prévues pour une utilisation sur une alimentation nominale inférieure à 150 volts :** Si cette machine est prévue pour être utilisée sur un circuit qui comporte une prise semblable à celle illustrée à la figure A, la machine devra comporter une fiche mise à la terre semblable à celle illustrée à la figure A. Un adaptateur temporaire semblable à celui illustré à la figure B, peut être utilisé pour raccorder cette fiche à une prise à deux cavités comme celle illustrée à la figure B, si une prise correctement mise à la terre n'est pas disponible. L'adaptateur temporaire ne doit être utilisé que jusqu'au moment où une prise correctement mise à la terre est installée par un électricien compétent. L'oreiller rigide ou autre dispositif semblable de couleur verte, sur le dessus de l'adaptateur, doit être connecté sur une mise à la terre permanente comme, par exemple une boîte à prises correctement mise à la terre. Quand un adaptateur est utilisé, celui-ci doit être retenu en place par une vis en métal.

REMARQUE: Au Canada, le Code canadien de l'électricité ne permet pas l'emploi d'un adaptateur temporaire.

⚠ DANGER Dans tous les cas, s'assurer que la prise en question est bien mise à la terre. Dans le doute, demander à un électricien compétent de vérifier la prise.

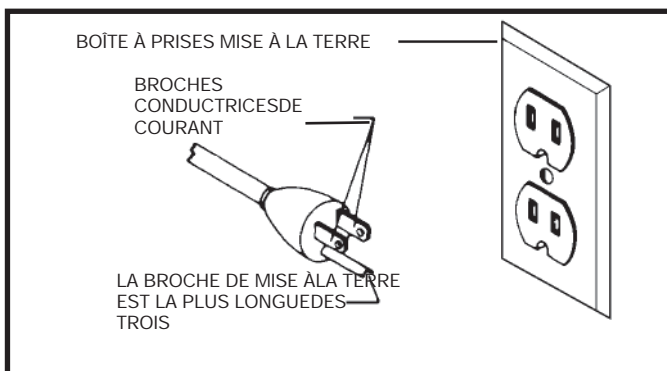


Fig. A

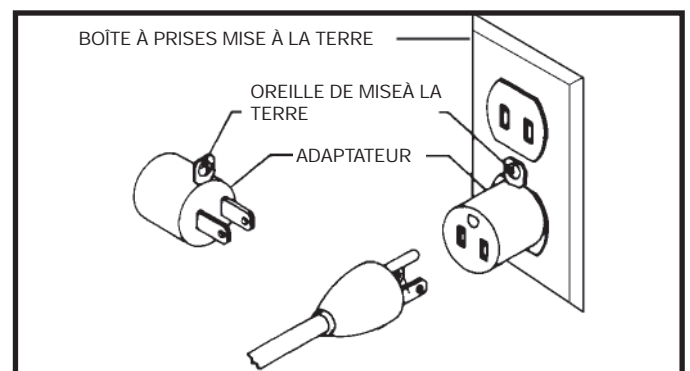


Fig. B

3. FONCTIONNEMENT MONOPHASÉ À 240 VOLTS

Le moteur fourni avec la machine est un moteur bitension de 120/240 volts. Il est livré, prêt à fonctionner, sous tension de 120 volts. Toutefois, il peut être converti au fonctionnement sous 240 volts.

Un électricien professionnel devrait effectuer la conversion ou utiliser les services d'un centre de réparations agréé Delta. Suite à la conversion, la machine doit être conforme au Code électrique national et à tous les codes et à toutes les ordonnances à l'échelle locale.

La conversion exige un recâblage du moteur pour 240 volts grâce à l'installation d'une fiche de 240 volts sur le cordon d'alimentation et le remplacement de l'interrupteur (le cas échéant) avec un autre homologué pour un fonctionnement à 240 volts.

S'assurer que la fiche de 240 volts s'insère seulement dans une prise ayant la même configuration que la fiche illustrée à la fig. C. N'utiliser aucun adaptateur avec une fiche de 240 volts.

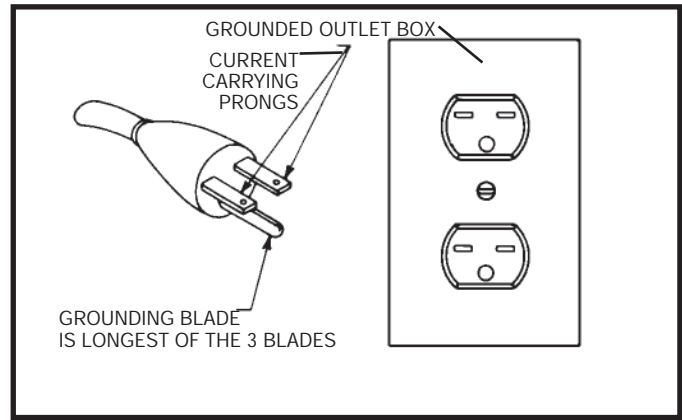


Fig. C

⚠ DANGER Dans tous les cas, s'assurer que la prise en question est bien mise à la terre. Dans le doute, demander à un électricien compétent de vérifier la prise.

CORDON DE RALLONGE

⚠ AVERTISSEMENT Employez les cordes appropriées de prolongation. S'assurent votre corde de prolongation est en bon état. En utilisant une corde de prolongation, soyez sûr d'employer un assez lourd pour porter le courant de la machine. Une corde trop petite causera une baisse dans la tension secteur, ayant pour résultat la perte de puissance et de surchauffe. Fig. D-1 or D-2, expositions la mesure correcte à employer selon la longueur de corde. En cas de doute, utilisez la prochaine mesure plus lourde. Plus le nombre de mesure est petit, plus la corde est lourde.

MESUR MINIMUM DE CORDE D'EXTENSION			
TAILLES RECOMMANDÉES POUR L'USAGE AVEC STATIONNAIRES ÉLECTRIQUES LES OUTILS			
Estimation pere	Volts	Longueur Totale De Corde En Pieds	Mesure De Corde D'Am D'Extension
0-6	120	up to 25	18 AWG
0-6	120	25-50	16 AWG
0-6	120	50-100	16 AWG
0-6	120	100-150	14 AWG
6-10	120	up to 25	18 AWG
6-10	120	25-50	16 AWG
6-10	120	50-100	14 AWG
6-10	120	100-150	12 AWG
10-12	120	up to 25	16 AWG
10-12	120	25-50	16 AWG
10-12	120	50-100	14 AWG
10-12	120	100-150	12 AWG
12-16	120	up to 25	14 AWG
12-16	120	25-50	12 AWG
12-16	120	50 PI PLUS GRANDS QUE NON RECOMMANDES	

Fig. D-1

MESUR MINIMUM DE CORDE D'EXTENSION			
TAILLES RECOMMANDÉES POUR L'USAGE AVEC STATIONNAIRES ÉLECTRIQUES LES OUTILS			
Estimation pere	Volts	Longueur Totale De Corde En Pieds	Mesure De Corde D'Am D'Extension
0-6	240	up to 50	18 AWG
0-6	240	50-100	16 AWG
0-6	240	100-200	16 AWG
0-6	240	200-300	14 AWG
6-10	240	up to 50	18 AWG
6-10	240	50-100	16 AWG
6-10	240	100-200	14 AWG
6-10	240	200-300	12 AWG
10-12	240	up to 50	16 AWG
10-12	240	50-100	16 AWG
10-12	240	100-200	14 AWG
10-12	240	200-300	12 AWG
12-16	240	up to 50	14 AWG
12-16	240	50-100	12 AWG
12-16	240	50 PI PLUS GRANDS QUE NON RECOMMANDES	

Fig. D-2

DESCRIPTION FONCTIONNELLE

MARCHE AVANT

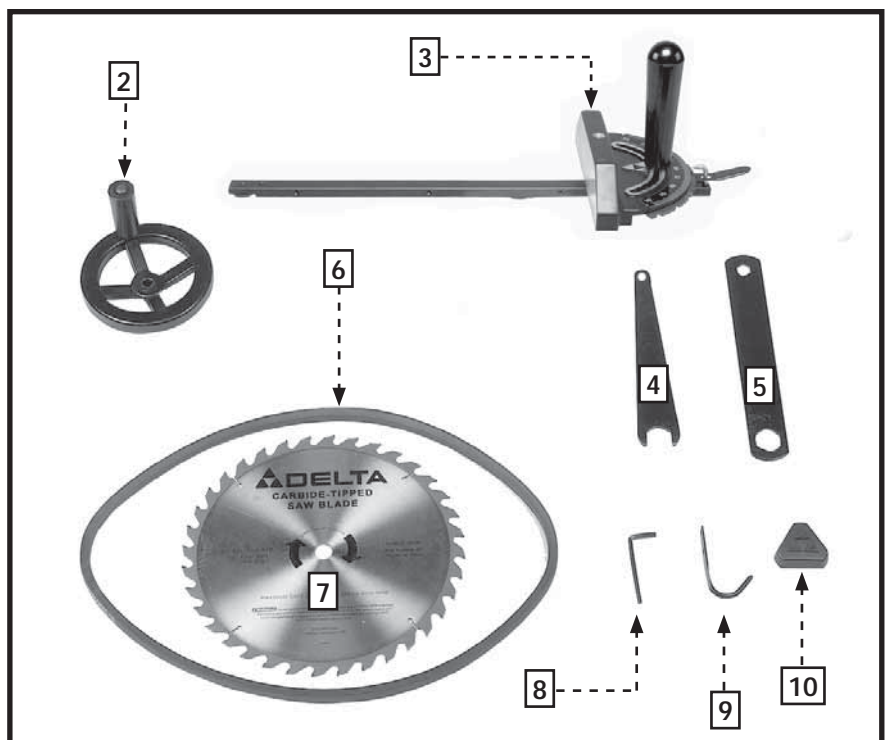
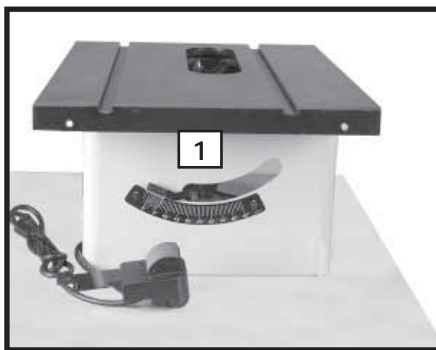
Les modèles Delta 36-978 et 36-979 sont des scies d'entrepreneur de 254 mm (10 po) à inclinaison gauche et système de mobilité intégré. Les scies possèdent un puissant moteur à induction de 1-1/2 HP pour tout sciage exigeant. Le modèle 36-978 est livré avec des volets en tôle et le modèle 36-979 avec des volets en fonte.

⚠ AVERTISSEMENT Un module de guidage longitudinal n'est pas livré avec le produit. Vous devez installer et utiliser un système de guide longitudinal pour les opérations de sciage en long.

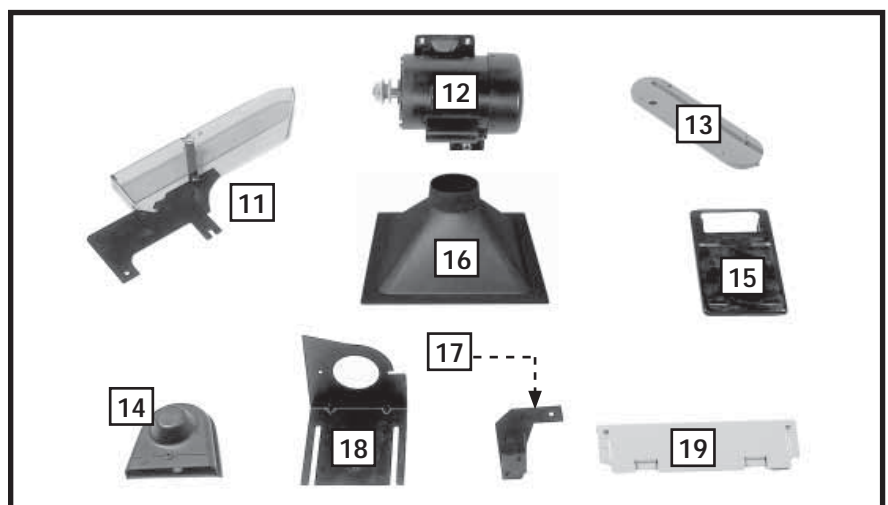
REMARQUE : La photo de la couverture du mode d'emploi illustre le modèle de production actuel. Les autres illustrations de ce mode d'emploi ne sont présentes qu'à titre indicatif et il est possible que les étiquettes et accessoires actuels diffèrent des caractéristiques réelles de ce modèle. Ces illustrations ont uniquement pour but d'illustrer la technique.

CONTENUS DE BOITE

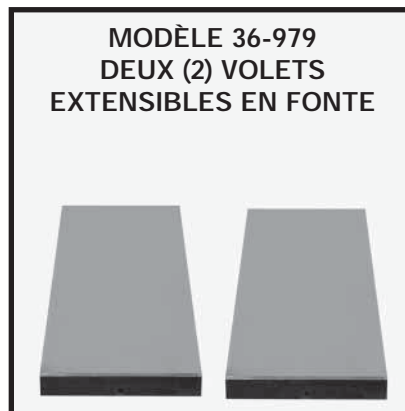
PIÈCES DE SCIE DE BANC



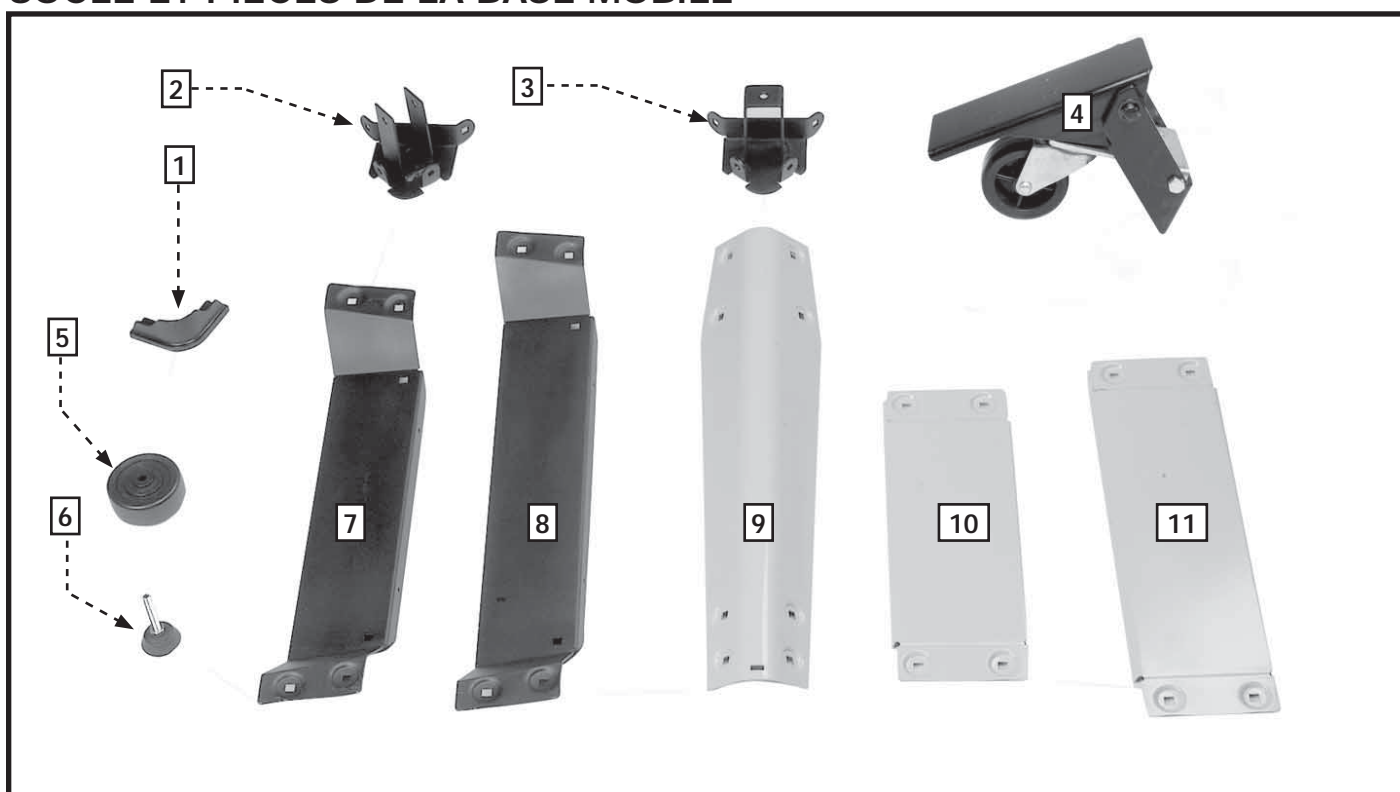
1. Banc de scie
2. Volant (2)
3. Jauge à onglet
4. Clé à fourche de 22,2 mm (7/8 po)
5. Clé polygonale de 22,2 mm (7/8 po) et de 12,7 mm (1/2 po)
6. Courroie d'entraînement
7. Lame de scie
8. Clé Allen de 4 mm (0,16 po)
9. Crochet pour clé
10. Poignée de verrouillage (2)
11. Ensemble pare-main/couteau séparateur
12. Moteur
13. Insert de table
14. Protection de courroie
15. Plaque du moteur
16. Adaptateur pour dépoussiéreur
17. Support du couteau séparateur
18. Plaque de protection de la poulie
19. Attache arrière



EXTENSION WINGS

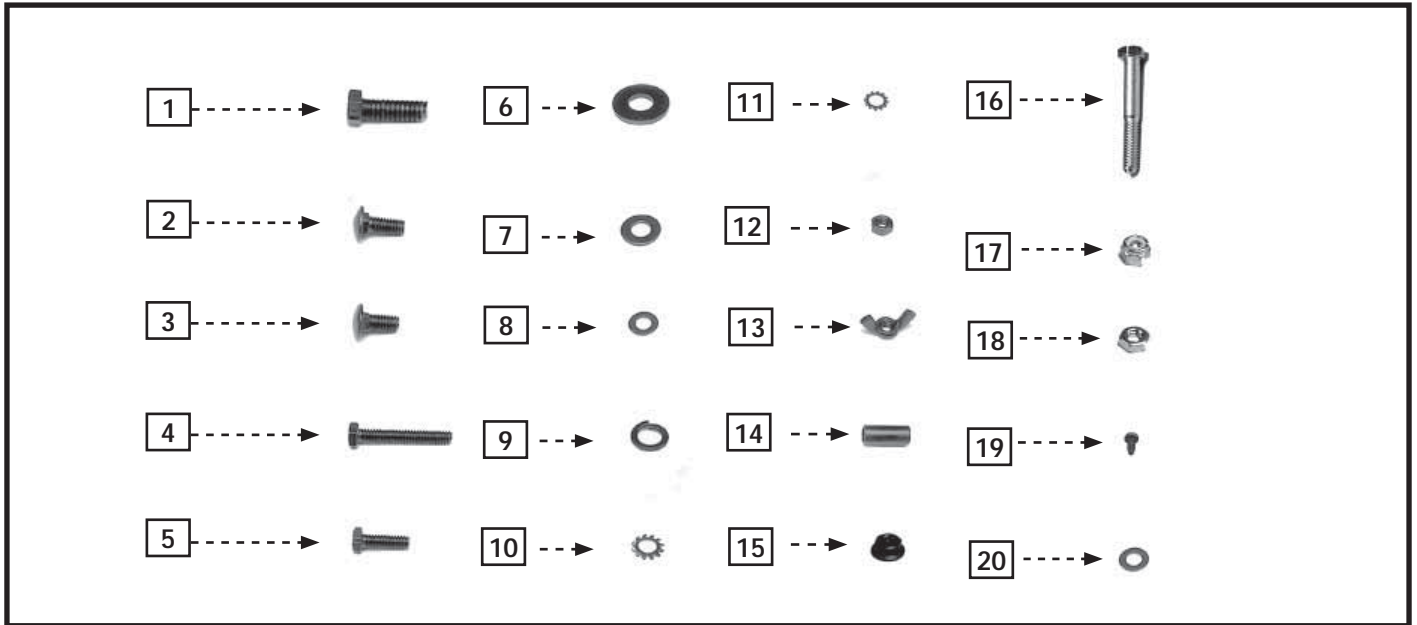


SOCLE ET PIÈCES DE LA BASE MOBILE



1. Pied en plastique (4)
2. Support d'encoignure (côté gauche) (2)
3. Support d'encoignure (côté droit) (2)
4. Assemblée de roulette
5. Roue (2)
6. Pattes de nivellement (2)
7. Support court pour patte (2)
8. Long support pour patte (2)
9. Pata (4)
10. Panneaux courts pour l'avant et l'arrière (2)
11. Pane las largos laterales

QUINCAILLERIE



1. Vis à tête hexagonale 7/16-20 x 1-1/4 po (6)
2. Vis de carrosserie 5/16-18 x 3/4 po (8)
3. Vis de carrosserie 5/16-18 x 5/8 po (50)
4. Vis à tête hexagonale 1/4-20 x 1-1/2 po (1)
5. Vis à tête hexagonale 1/4-20 x 3/4 po (2)
6. Rondelle plate de 7/16 po (6)
7. Rondelle plate de 5/16 po (1)
8. Rondelle plate 1/4 po (3)
9. Rondelle de blocage de 7/16 po (6)
10. Rondelle à denture extérieure de 5/16 po (1)
11. Rondelle à denture extérieure de 1/4 po (4)
12. Écrou hexagonal 1/4-20 po (1)
13. Écrou à oreilles 1/4-20 po (1)
14. Cale (1)
15. Écrou hexagonal cannelé de 5/16-18 po (57)
16. Vis d'assemblage à tête hexagonale 5/16-18 x 2-1/4 po (2)
17. Écrou à frein élastique (Nylok) de 5/16-18 po (3)
18. Contre-écrou hexagonal de 5/16-18 po (5)
19. Vis à tête panoramique M4 x 8mm
20. 10 mm Rondelle Plate en nylon (2)

DÉSEMBALLAGE ET NETTOYAGE

Désemballer soigneusement la machine et toutes les pièces de ou des emballage(s) d'expédition. Retirer l'huile anticorrosion des surfaces non peintes à l'aide d'un chiffon doux humidifié avec de l'alcool, du diluant à peinture ou de l'alcool dénaturé.

⚠ ATTENTION : N'utiliser pas de solvants hautement volatils tel l'essence, le naphte, l'acétone ou du diluant à laque pour nettoyer.

Après nettoyage, couvrir les surfaces non peintes d'une cire à parquets d'usage domestique de bonne qualité.

ASSEMBLAGE

OUTILS NÉCESSAIRES POUR L'ASSEMBLAGE

Clé à fourche de 22,2 mm (7/8 po) (fournie)
Clé polygonale de 22,2 mm (7/8 po) et de 12,7 mm (1/2 po) (fournies)
Clé hexagonal de 4 mm (fournie)
Clé hexagonal de 6,4 mm (0,25 po) (non fournie)
Douille ou clés à fourche de taille, y compris 10 mm, 12 mm, 18 mm, 12,7 mm (1/2 po) et Tournevis phillips (non fournies)

L'ESTIMATION DE TEMPS D'ASSEMBLEE

L'Assemblée pour cette machine prend pour à six heures

⚠ AVERTISSEMENT : Pour votre propre sûreté, ne reliez pas la machine à la source d'énergie jusqu'à ce que la machine soit complètement assemblée et vous lisez et comprenez le manuel d'instruction entier.

ASSEMBLAGE DE LA BASE MOBILE ET DU SOCLE

Pour faciliter l'assemblage du socle, le mettre à l'envers.

PANNEAUX AVANT ET LATÉRAUX

1. Insérer une vis à carrosserie 5/16-18 x 5/8 po (A, fig. 1) dans la patte (B) puis dans le trou correspondant du panneau (C).

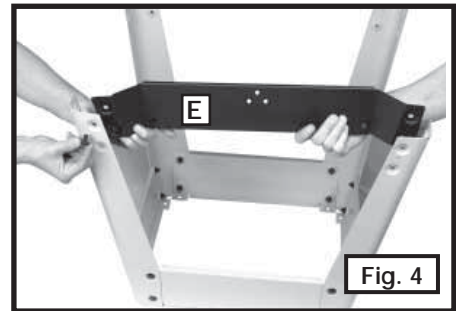
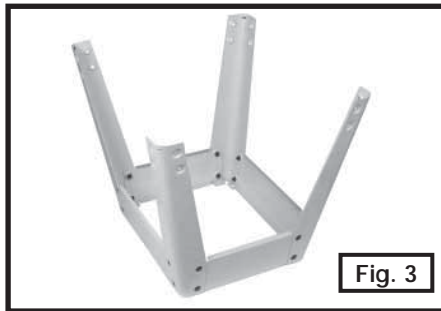
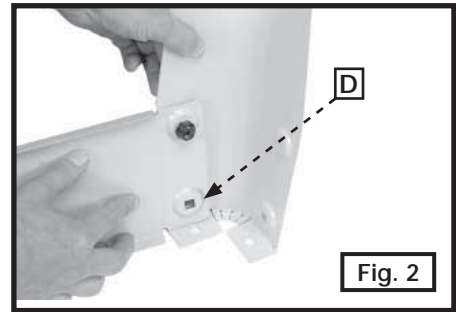
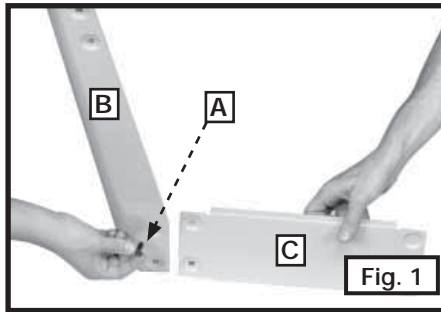
REMARQUE : S'assurer que les côtés carrés de la vis hexagonale s'alignent avec les côtés plats du trou.

2. Visser un écrou hexagonal cannelé 5/16-18 (D, fig. 2) autour de la vis et serrer à la main le panneau à la patte. S'assurer que le côté cannelé de l'écrou hexagonal repose contre le panneau.

REMARQUE : Ne pas serrer la quincaillerie pour le moment.

3. La figure 3 montre les quatre pattes attachées aux panneaux avant et latéraux.

REMARQUE : s'assurer que les panneaux courts font faces aux autres panneaux courts et que les panneaux longs font faces aux autres panneaux longs.

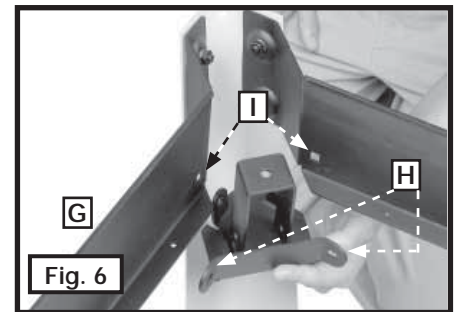
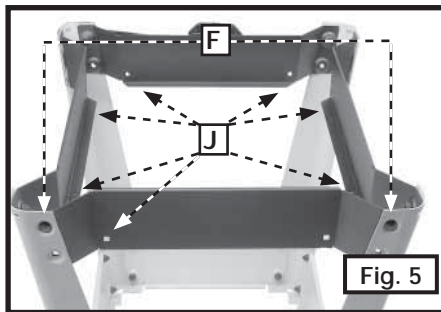


SUPPORTS POUR PATTE (LONGS ET COURTS)

4. Attacher les longs supports pour patte (E, fig. 4) et les supports courts aux pattes à l'aide des vis de carrosserie 5/16-18 x 5/8 po et des écrous hexagonaux cannelés 5/16-18. D'abord, insérer la vis dans la patte dans le support.

REMARQUE : s'assurer que les trous (J) fig. 5 de tous les supports latéraux sont alignés.

5. Enfiler l'écrou hexagonal sur le boulon et serrer uniquement du bout des doigts. Enfiler huit vis et huit boulons dans les trous dont deux sont illustrés en (F) fig. 5. S'assurer que ces trous sont au bas (une fois la scie à l'endroit).

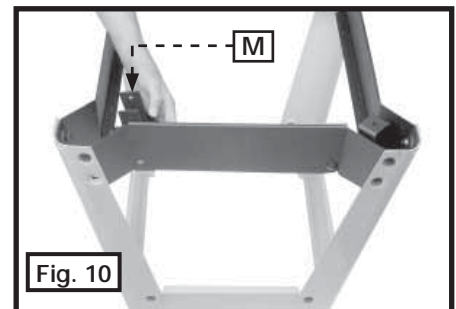
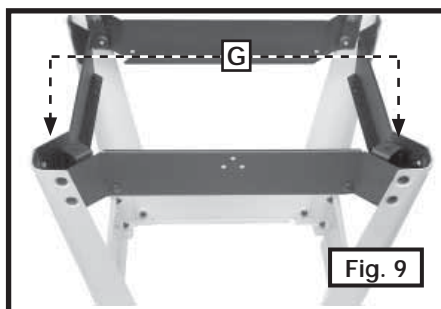
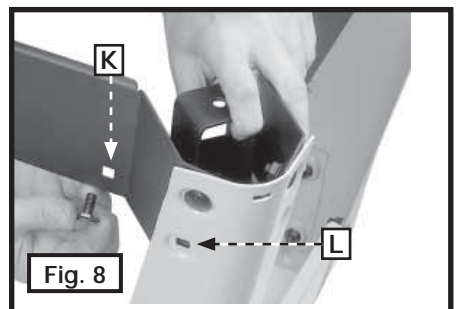


SUPPORTS D'ENCOIGNURE

6. Prendre le support d'encoignure (G, fig. 6) avec l'extrémité fermée et aligner les trous (H) avec les trous (I) des supports de patte.

REMARQUE : fixer les supports à extrémités fermées à la longue patte de support qui comporte trois trous dans le milieu (fig. 9). Au besoin, utiliser un marteau-caoutchouc (ou un marteau et un bloc de bois) pour enfoncer le support d'encoignure de sorte que les trous s'alignent (fig. 7).

7. Une fois aligné, attacher le support d'encoignure aux supports de patte à l'aide des vis de carrosserie 5/16-18 x 5/8 po et des écrous hexagonaux cannelés 5/16-18. Insérer la vis dans le support puis dans le support d'encoignure en (K, fig. 8). Visser l'écrou hexagonal et serrer.



8. Par la suite, attacher la patte au support d'encoignure à l'aide des plus longues vis de carrosserie 5/16-18 x 3/4 po et des écrous hexagonaux cannelés dans les deux (2) trous dont l'un est situé en (L, fig. 8).

9. Répéter la séquence pour l'autre support d'encoignure. Insérer les pieds de nivellement en caoutchouc sur ces supports (G) fig. 13.
10. Ces supports à extrémité ouverte (M, fig 10) sont attachés d'une façon similaire à celle décrite aux étapes 6 à 9.

REMARQUE : S'assurer que l'extrémité ouverte est alignée comme illustré aux figures 10 et 11 où les roues seront installées plus tard.

PATTES DE NIVELLEMENT

11. Visser un contre-écrou hexagonal de 7,9 mm (5/16 po -18) sur la colonne de la vis de l'un des pieds de nivellement. Insérer cet ensemble dans le trou du support d'encoignure incorporé (fig. 12). Insérer et visser un autre contre-écrou hexagonal 7,9 mm (5/16 po -18) sur la colonne. Déplacer les contre-écrous le long de la colonne de la vis pour ajuster la hauteur du pied. Répéter pour l'autre pied de nivellement.

ROUES

12. Placer une roue (N, fig. 13) dans un support à extrémité ouverte (O). Insérer une vis d'assemblage à tête hexagonale 5/16-18 x 2½ po dans le support puis la roue. Assembler à l'aide d'un écrou à frein élastique 5/16-18 (P, écrou Nylok) tel qu'illustré à la figure 13.
13. Maintenant, serrer toute la quincaillerie. Serrer d'abord les composants des panneaux puis des supports de pattes.

ASSEMBLAGE DU MODULE DE COMMANDE À PIEDS À LA BASE

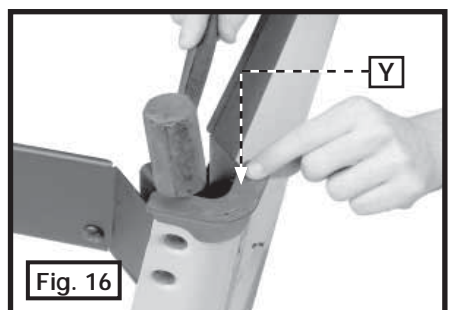
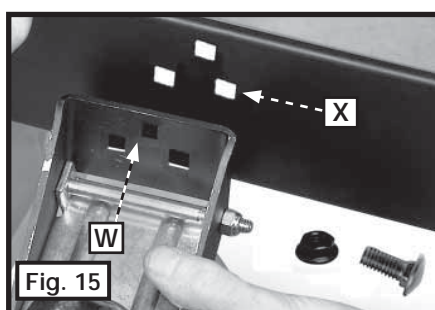
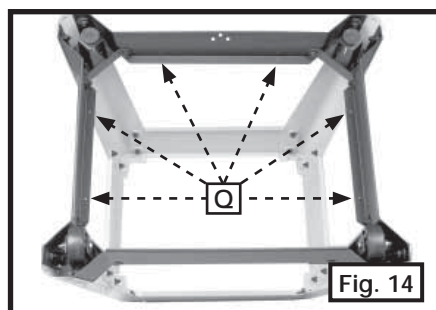
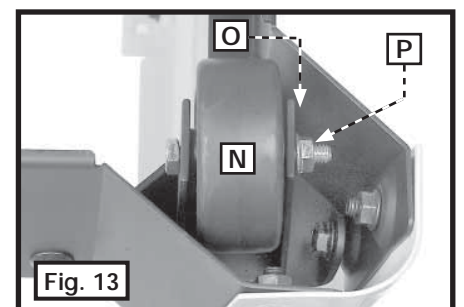
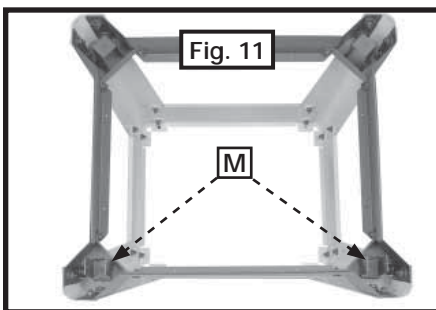
Aligner les trois trous de la commande à pied (W) fig. 15 avec les trois trous de la base (X). Insérer un boulon de carrosserie de 7,9 mm - 18 x 16 mm (5/16 po - 18 x 5/8 po) dans le levier et la base. Fixer le levier à la base avec un écrou cannelé de 7,9 mm (5/16 po) - 18.

PIEDS EN PLASTIQUE

Insérer les pieds en plastique (Y) fig. 16. Bien enfoncer les pieds en position à l'aide d'un marteau-caoutchouc ou d'un marteau et un bloc de bois.

AJOUT D'UNE TABLETTE FACULTATIVE

Installer, en option, une tablette de contreplaqué de 19 mm (3/4 po) mesurant 568,96 mm x 488,95 mm (22 3/8 po x 19 1/4 po). Pour l'installation, visser le contreplaqué aux supports de patte à travers les huit (8) trous des supports de patte dont six d'entre eux sont illustrés en (Q) fig. 14. Lorsque le socle est à l'envers (comme à la fig. 14), la tablette s'insère sous les extensions des supports de patte. Une fois le socle sur ses pieds, la tablette repose sur le dessus des extensions du support de patte. Pour installer la tablette, retirer un panneau latéral. S'assurer que le panneau est bien en place avant d'utiliser la scie. Consulter les dimensions exactes de la tablette au dos de ce mode d'emploi.



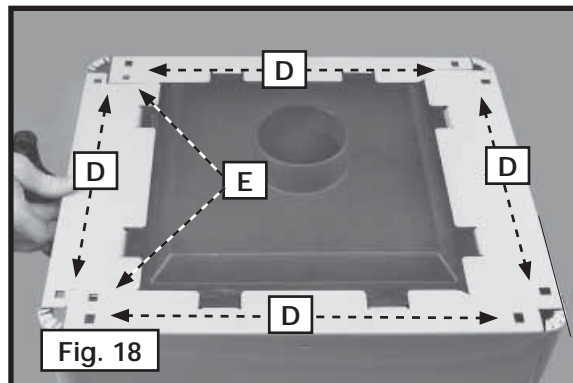
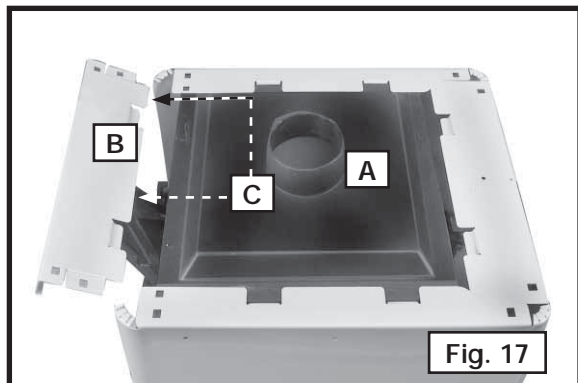
SORTIE DE POUSSIÈRE ET FIXATION DORSALE

⚠ ATTENTION : Ne pas installer une sortie de poussier si aucun collecteur de poussiere ne sera utilise.

Placer la table de scie à l'envers sur le plancher tel qu'illustré à la fig. 17 pour l'installation de la sortie et de la fixation dorsale.

⚠ ATTENTION : Lors de l'installation de la goulotte à poussière, protéger le dessus de la table de la scie en insérant une barrière protectrice entre la scie et le plancher (morceau de carton, tapis, etc.).

Pour installer la sortie (A, fig. 17), la glisser tel qu'illustré. Installer la fixation dorsale (B) avec les onglets (C, fig. 17) sous les rebords de la sortie. Placer les vis de carrosserie 5/16-18 x 5/8 po dans les trous, vers le haut, à partir de l'intérieur du module de la scie pour assembler la fixation dorsale au module. Visser des écrous hexagonaux cannelés 5/16-18 sur les vis et serrer solidement.



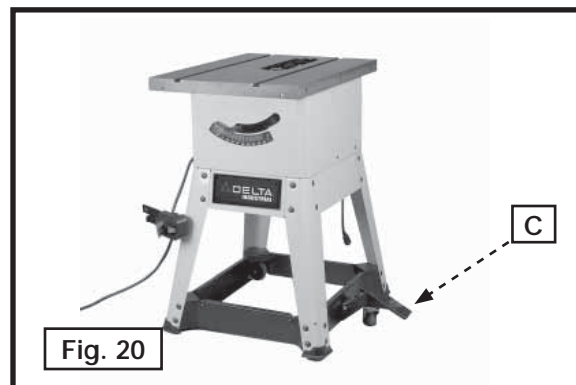
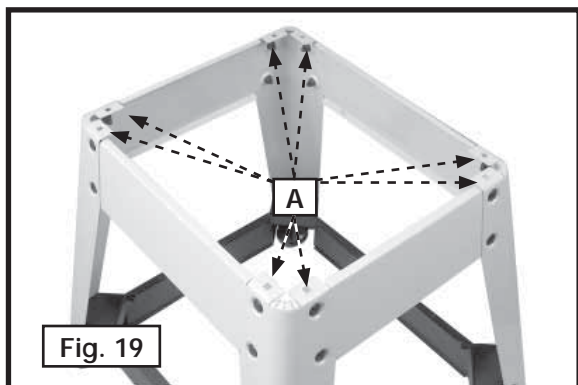
FIXATION DE LA BASE MOBILE ET DU SOCLE À LA TABLE DE LA SCIE

⚠ ATTENTION : Pour prévenir toute blessure corporelle ou dommage à la scie, respecter les directives qui suivent :

1. Avec la table encore à l'envers suite à l'installation de la sortie de poussière et de la fixation dorsale, installer la base mobile et le socle sur le dessus de la table à l'envers. Aligner les huit (8) trous des pattes (deux d'entre eux sont illustrés en A, fig. 19) avec les huit (8) trous en (D, fig. 18).

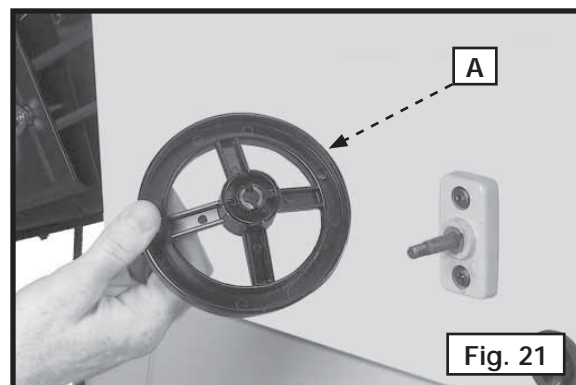
REMARQUE : installer le panneau court, qui porte la plaque signalétique Delta, à l'avant, adjacent à la balance et au pointeur.

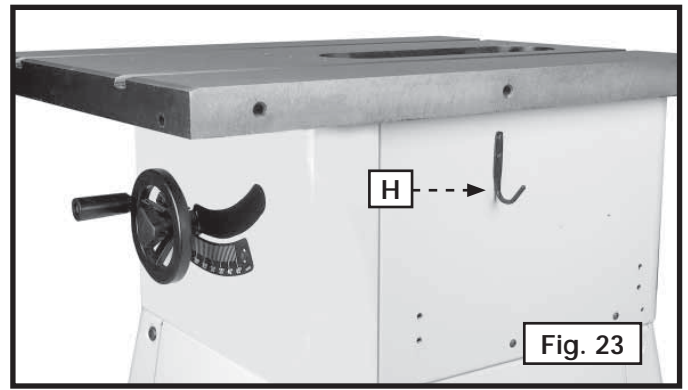
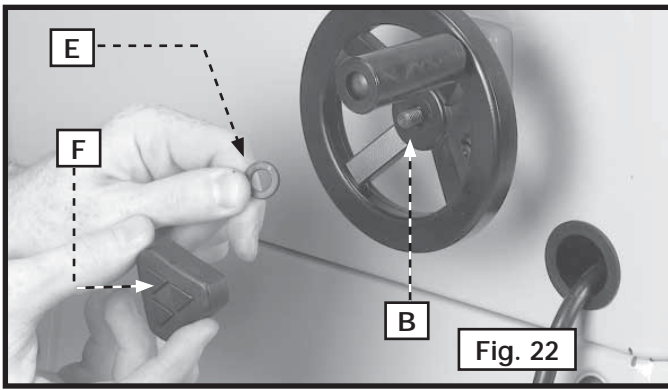
2. De l'intérieur de l'armoire de la table de la scie, insérer un boulon de carrosserie de 7,9 mm x 15,8 mm (5/16 po -18 x 5/8 po) dans les trous (D) fig. 26, puis à travers les pattes. Enfiler un écrou hexagonal cannelé de 7,9 mm (5/16 po -18) sur le boulon. Bien serrer. Répéter pour les huit (8) trous.
3. **À l'aide d'au moins deux personnes**, retourner délicatement la table de la scie (fig. 20).
4. Pour vérifier le niveau de la table, relever la commande à pied (C) fig. 20 pour dégager la base mobile. Utiliser un niveau à bulle. Si la table de la scie n'est pas de niveau, régler les pieds de nivellement comme décrit dans la section « **PIEDS DE NIVELLEMENT** ». Pour déplacer la table de la scie, enfoncer la commande à pied.



MÉCANISMES D'INCLINAISON DE LA LAME ET DE LEVÉE DU VOLANT

1. Placer le volant d'inclinaison de la lame (A, fig. 21) sur la tige (B). S'assurer que la fente (C) du volant est bien enfoncée dans la goupille cylindrique (D) de la tige.
2. Insérer une rondelle plate en nylon de 10 mm (E) sur la tige (B) puis visser la poignée de blocage (F) sur la tige.
3. Assembler le volant (G, fig. 22) servant à lever la lame sur le devant de la table de scie de la même façon.





CROCHET POUR CLÉ

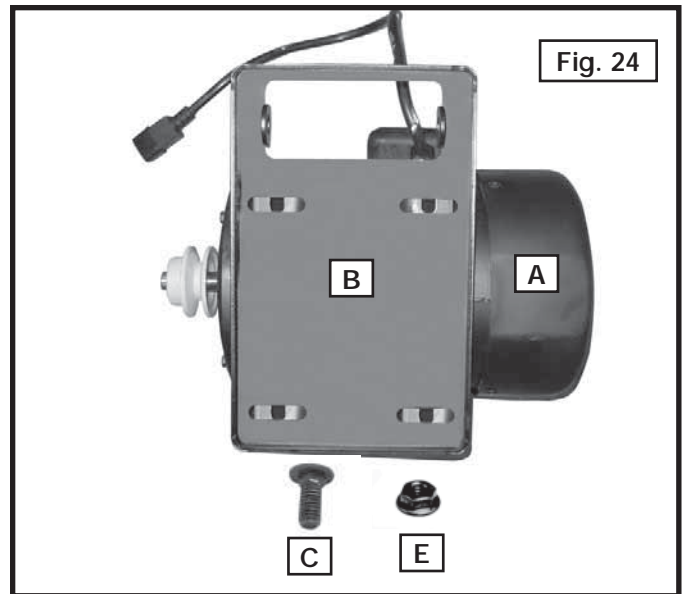
À l'aide de deux vis à tête cylindrique M4 x 8 mm, installer un crochet (H, fig. 23) pour l'entreposage des clés pour lame dans les deux trous sur le côté de la table de scie.

ASSEMBLAGE DU MOTEUR SUR LA PLAQUE MOTEUR

Fixer le moteur (A) au plateau de montage moteur (B) fig. 24.

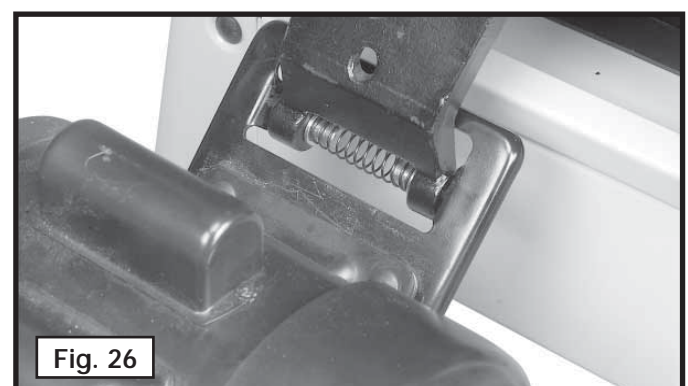
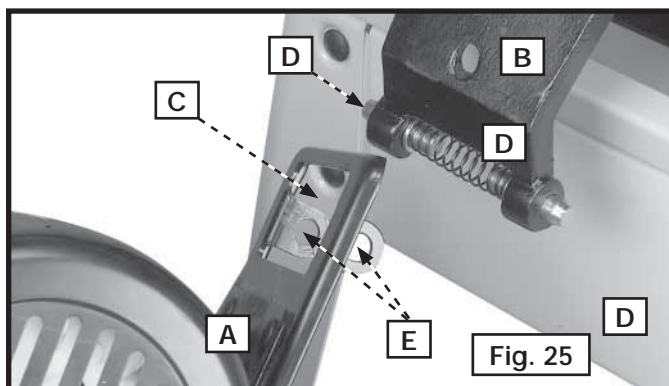
Aligner les quatre trous de fixation du moteur avec les quatre trous du plateau de montage. Enfiler un boulon de carrosserie de 7,9 mm (5/16 po -18) x 19,5 mm (3/4 po) (C) dans le trou du moteur et celui du plateau de montage. Assujettir avec un écrou cannelé de 7,9 mm (5/16 po) -18 (E).

REMARQUE : visser lâchement les écrous hexagonaux pour un réglage ultérieur.



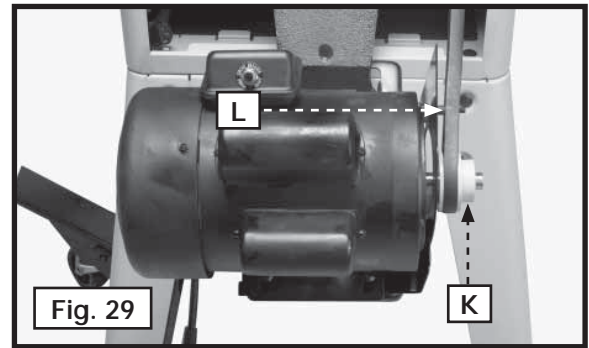
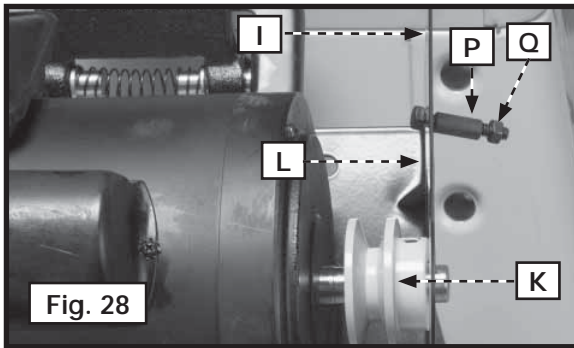
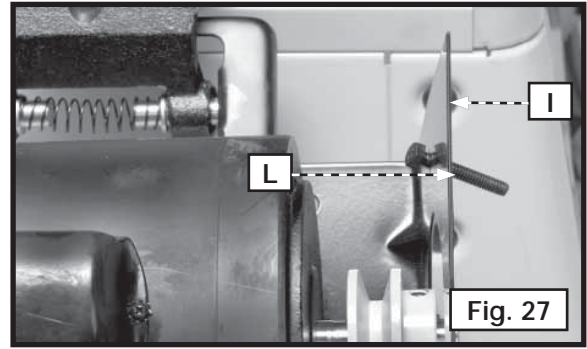
FIXATION DU MOTEUR ET DU PLATEAU DE MONTAGE MOTEUR À LA TABLE DE SCIE

1. Positionner le moteur et le plateau de montage moteur (A) fig. 25 sous le support (B) pour permettre au bras de s'engager dans la grande ouverture (C) du plateau de montage du moteur (A).
2. Enfoncer les goupilles comme illustrées en (D) fig. 25, de chaque côté du support (B). Soulever le plateau de montage moteur (A) jusqu'à ce que les goupilles (D) s'engagent dans les trous (E) fig. 25 du plateau de montage (A).
3. Le moteur et le plateau de montage moteur sont illustrés, fixés, au dos de la table de la scie à la figure 26.

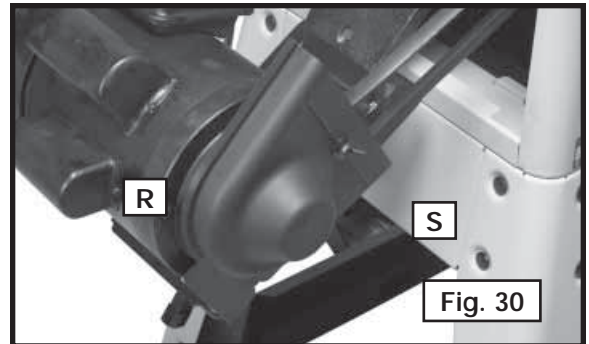


FIXATION DE LA POULIE MOTRICE, DU PROTÈGE-POULIE ET DE LA COURROIE D'ENTRAÎNEMENT

1. Glisser la courroie et le support du protège-poulie (I) fig. 27, entre le plateau moteur (J) et le plateau de montage moteur (K).
2. Enfiler une rondelle à denture extérieure de 6,3 mm (1/4 po) sur un boulon à tête hexagonale de 6,3 mm (1/4 po -20) x 38 mm (1 1/2 po). Introduire le boulon (L) fig. 27 dans le trou de la courroie et du support du protège-poulie (I) fig. 27.
3. Positionner la courroie et le support du protège-poulie (I) fig. 28, de sorte que la poulie motrice (K) soit centrée et que le boulon passe dans le trou de la courroie et du support du protège-poulie (I) fig. 28. Serrer les quatre écrous hexagonaux (C) fig. 24 qui fixent le moteur à son plateau de montage moteur.
4. Utiliser une règle droite pour aligner la poulie du moteur avec l'arbre de la poulie dans l'armoire de la table de scie. Au besoin, ajuster la poulie motrice (K) fig. 28 vers l'intérieur ou l'extérieur sur l'arbre du moteur.
5. Soulever le moteur et fixer la courroie d'entraînement (L) fig. 29 sur l'arbre de la poulie et la poulie motrice (K) figure 29. Le poids du moteur fournira la tension appropriée pour la courroie.

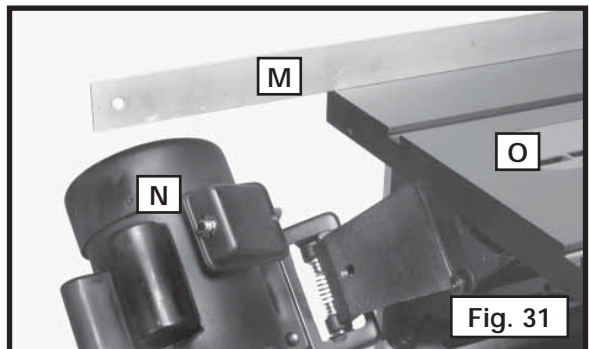


6. Enfiler une rondelle plate et une cale d'espacement de 6,3 mm (1/4 po) (P) fig. 28 sur la vis à tête hexagonale de 6,3 mm (1/4 po - 20) x 38 mm (1-1/2 po) (L). Visser un écrou hexagonal de 6,3 mm (1/4 po -20) (Q) fig. 28 sur la colonne de la vis jusqu'à ce que celui-ci coince la cale contre le protège-poulie (I) fig. 28.
7. Réinstaller le protège-poulie (R) fig. 30. Le positionner de sorte que le boulon à tête hexagonale de 6,3 mm (1/4 po - 20) x 38 mm (1-1/2 po) (L) fig. 28 s'introduise dans le trou de protège-poulie. Enfiler une rondelle à denture extérieure de 6,3 mm (1/4 po) et un écrou papillon de 6,3 mm (1/4 po -20) sur le boulon à tête hexagonale (S) figure 30. Serrer solidement.



⚠ ATTENTION : Ne pas permettre au garde de ceinture pour contacter la ceinture d'unité ou la poulie moteur.

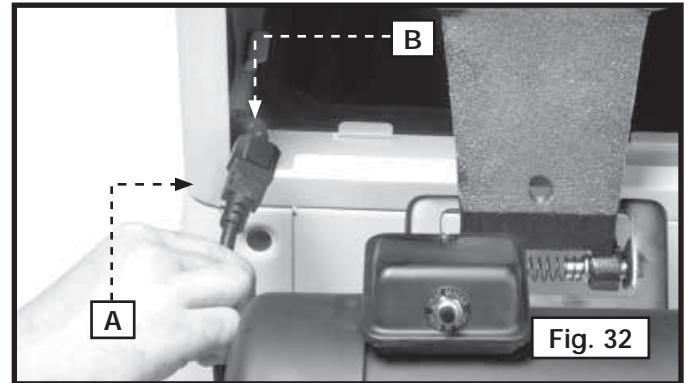
⚠ AVERTISSEMENT : L'extrémité du moteur (N, fig. 31) doit être sous le dessus de la table. Dès que la courroie est installée, relever au maximum la lame de la scie et l'incliner à 45°. Utiliser une règle droite (M, fig. 31) pour confirmer que l'extrémité du moteur (N) fig. 31 soit bien sous le dessus de la table (O). Si non, desserrer les quatre écrous hexagonaux (F, Fig. 24), repositionner le moteur puis resserrer les écrous. Réaligner la poulie motrice (K, Fig. 29) avec l'arbre de la poulie.



CONNEXION DU CORDON MOTEUR À L'ENSEMBLE DE L'INTERRUPTEUR

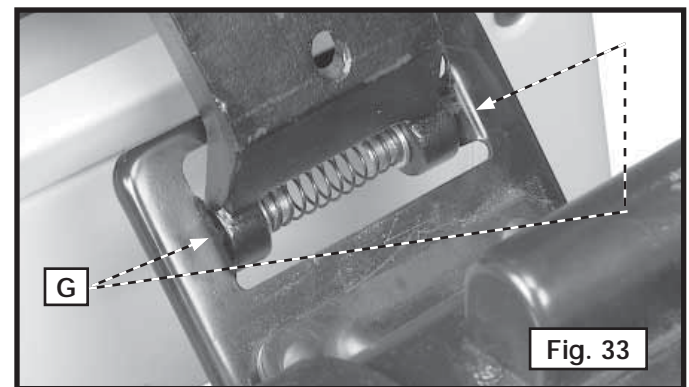
Insérer la fiche du cordon du moteur (A, fig. 32) dans la prise femelle (B) de l'interrupteur situé à l'intérieur du boîtier de la table de scie.

▲ AVERTISSEMENT S'assurer que le cordon entre l'interrupteur et la prise femelle (B) Fig. 32 est rattaché à la paroi interne du module de la scie et n'entrera pas en contact avec la lame ou toutes les autres.



DÉPOSE DU MOTEUR POUR LE TRANSPORT

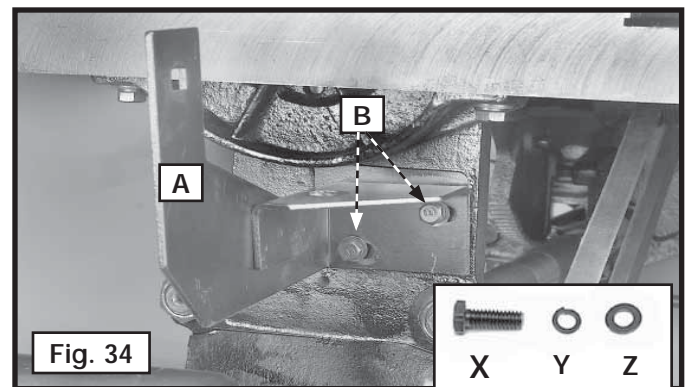
Débrancher le cordon du moteur de l'interrupteur pour retirer le moteur pour le transport. Saisir le moteur, enfoncer les goupilles (G) fig. 33, abaisser pour retirer le moteur du support.



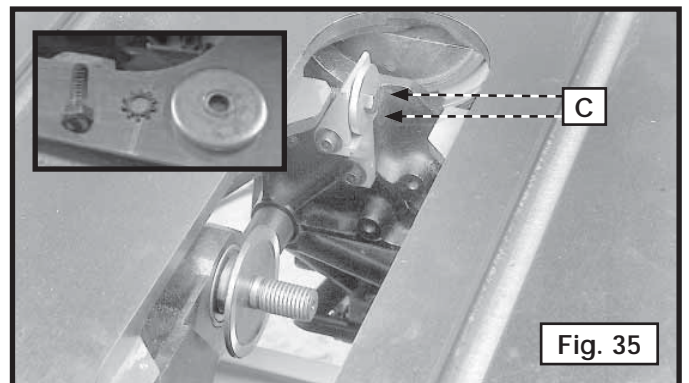
ASSEMBLAGE ET ALIGNEMENT DE L'ENSEMBLE PARE-MAIN/COUTEAU SÉPARATEUR

1. Fixer le support de montage arrière du couteau séparateur (A) fig. 34 au tourillon arrière. Aligner les deux trous du support de montage arrière du couteau séparateur (B) avec les deux trous du tourillon. Enfiler une rondelle de blocage de 6,3 mm (1/4 po) et une rondelle plate de 6,3 mm (1/4 po) sur le boulon à tête hexagonale de 6,3 mm (1/4 po-20) x 19 mm (3/4 po). Introduire le boulon dans le trou du support de montage arrière du couteau séparateur. Le visser dans le tourillon arrière. Répéter l'assemblage pour l'autre trou. Ne pas trop serrer la boulonnerie pour un réglage ultérieur.

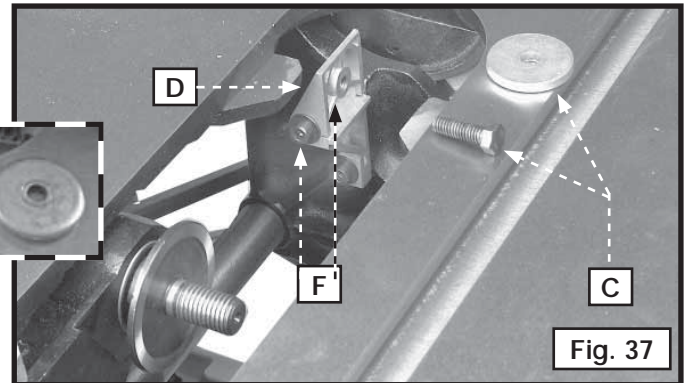
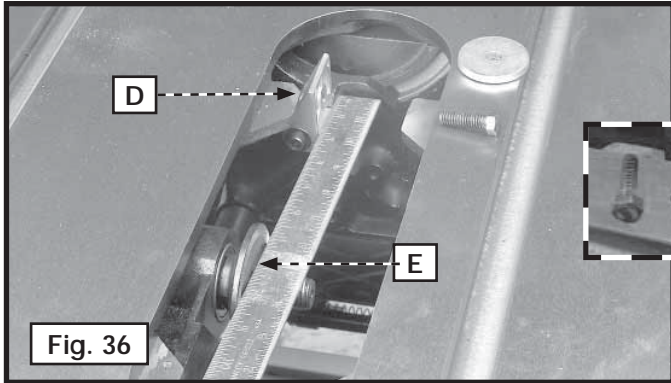
2. Soulever l'axe de la scie à sa position maximale.



3. Enlever l'écrou, la rondelle de blocage et la grande rondelle (C)



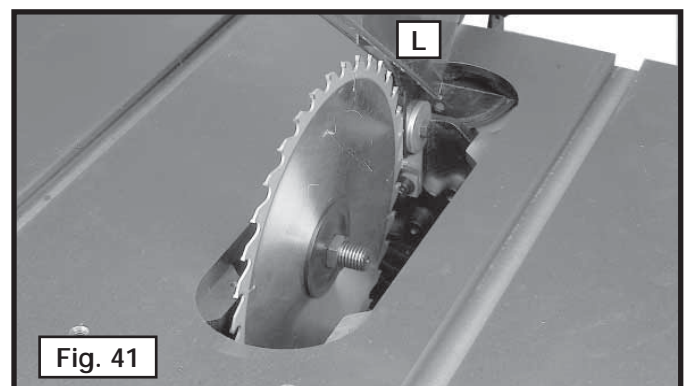
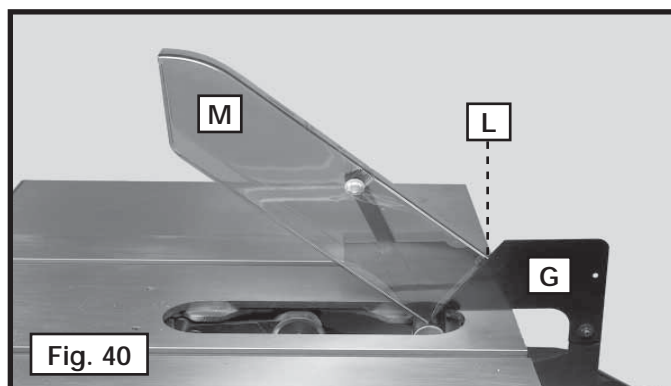
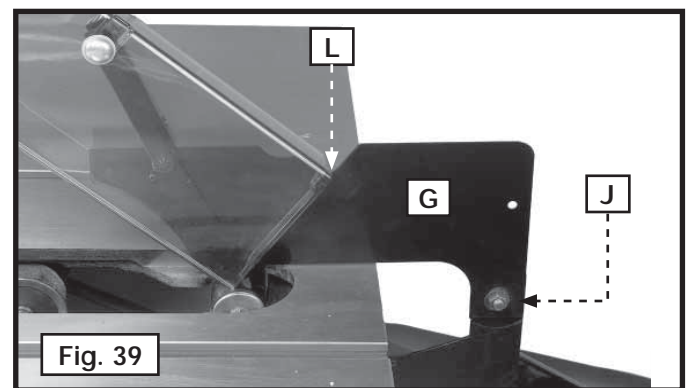
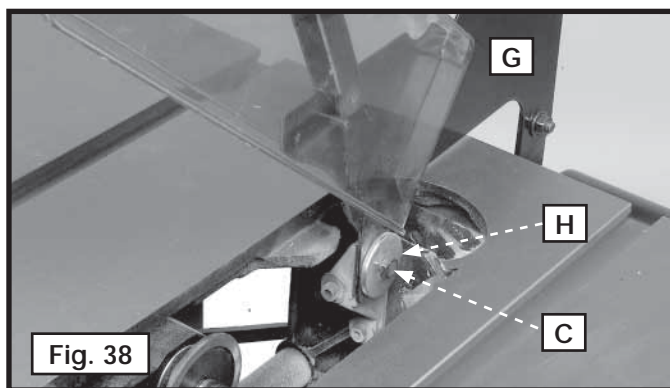
4. Vérifier si les parties supérieure et inférieure du support interne du couteau séparateur (D, fig. 36) sont alignées avec la bride interne de l'axe (E) à l'aide d'un bord droit tel qu'illustré.
5. Si un alignement s'avère nécessaire, desserrer les deux vis (F, fig. 37), aligner le support (D) avec la bride de l'axe et serrer les vis (F).
6. Fixer lâchement la grande rondelle, la rondelle de blocage et la vis (en médaillon) figures. 36 et 37 (enlevées antérieurement) à l'intérieur du support du couteau séparateur.



7. Assembler l'ensemble du pare-main et du couteau séparateur (G, fig. 38) entre la grande rondelle (C) et le support du couteau séparateur puis serrer la vis (H) avec la clé fournie. Glisser le couteau séparateur aussi loin que possible.
8. Fixer la partie arrière de l'ensemble du protège-lame/couteau séparateur (G) fig. 39 au support de montage du couteau séparateur arrière. Aligner le trou (J) du pare-main et du support du couteau séparateur avec le trou du support de montage arrière du couteau séparateur. Insérer un boulon de carrosserie de 7,9 mm - 18 x 16 mm (5/16 po - 18 x 5/8 po) dans l'orifice (J). Poser une rondelle plate de 7,9 mm (5/16 po) et une rondelle de blocage à dents extérieures sur le boulon et fixer le tout avec un écrou hexagonal de 7,9 mm (5/16 po) -18. Serrer solidement.

IMPORTANT : Le couteau séparateur (G, fig. 40) a une encoche (L) sur le bord supérieur tel qu'illustré. Cette encoche maintiendra le pare-main en position élevée pour faciliter le changement de la lame. Soulever le devant du pare-main (M), jusqu'à ce que le bord arrière du pare-main s'insère dans l'encoche (L) du couteau séparateur (G). Le pare-main restera dans cette position. Ce blocage ne fonctionne que lorsque l'insert de la table est retiré.

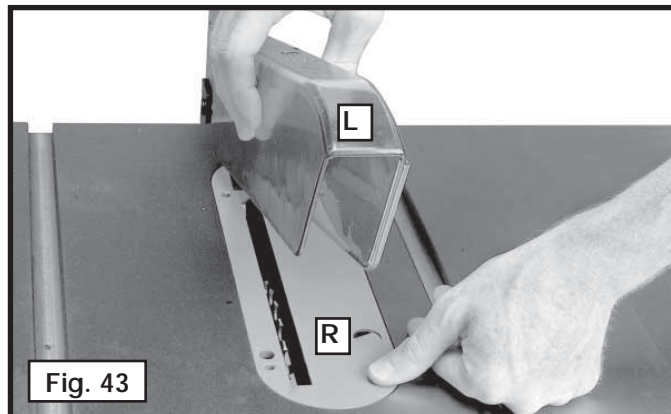
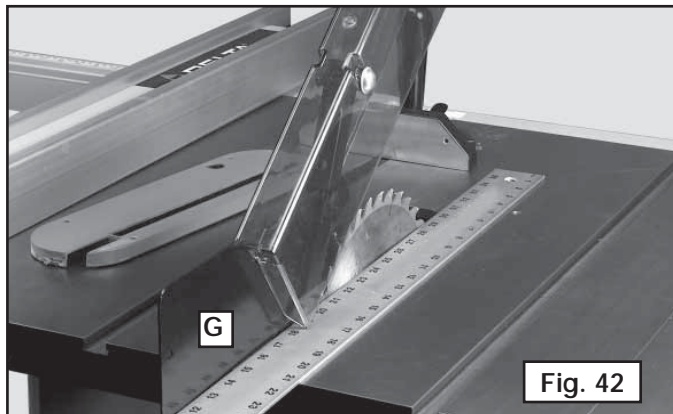
9. Avec le pare-main (L, fig 41) en position élevée, assembler la lame de la scie (K) sur l'axe à l'aide des deux clés fournies (articles 7 et 8, fig 1). Pour de plus amples renseignements à propos du changement de lame, consulter la section « **CHANGEMENT DE LA LAME DE LA SCIE** » de ce mode d'emploi.



10. Utiliser une règle droite pour confirmer que l'arrière du couteau séparateur (G) est aligné avec la lame de la scie (fig. 42). Si un alignement s'avère nécessaire, desserrer les vis (B) fig. 34, aligner le couteau séparateur (G) avec la lame de la scie et serrer les vis (B) fig. 34.
11. Abaisser la lame de la scie et installer l'insert de table (P) fig. 43 dans la table de la scie.

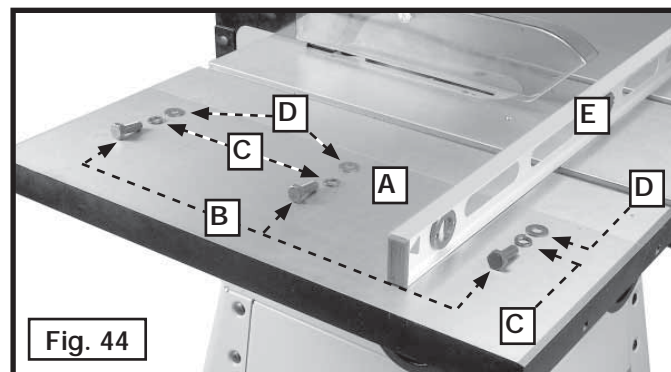
⚠ ATTENTION L'insert de la table devrait être au niveau avec la surface de celle-ci. Si un réglage est nécessaire, consulter la section « RÉGLAGE DE L'INSERT DE LA TABLE ».

⚠ ATTENTION Retenir le protège-lame (L) lors de l'installation de l'insert de table. Lors de son installation dans l'ouverture de la table, l'insert relâchera automatiquement l'effet de blocage sur le couteau séparateur et abaissera le protège-lame.



VOLETS EXTENSIBLES

1. Fixer la rallonge gauche (A) fig. 44 à la table de la scie. Aligner les trois trous du volet extensible avec les trois trous sur le côté de la table de scie. Mettre une rondelle de blocage de 1,11 cm (7/16 po) et une rondelle plate de 1,11 cm (7/16 po) sur un boulon à tête hexagonale de 11,1 mm - 20 x 32 mm (7/16-20 x 1-1/4 po) (quincaillerie illustrée sur la palette (A), figure 44).
2. Insérer la vis dans le trou du volet extensible et visser la vis dans le trou taraudé sur le côté de la table de scie. Serrer à la main seulement. Répéter ces étapes pour les deux autres trous du volet extensible et de la table de scie..



REMARQUE : la rallonge doit être affleurante avec ou légèrement derrière le bord avant de la table.

3. Utiliser une règle droite (E) fig. 44 comme guide pour mettre la rallonge de palette (A) au niveau de la table de la scie. Une fois au niveau, serrer le boulon d'un côté. Révérifier la mise à niveau, Serrer le boulon au centre, puis serrer le boulon de l'autre côté.

MODÈLE 36-978 SEULEMENT

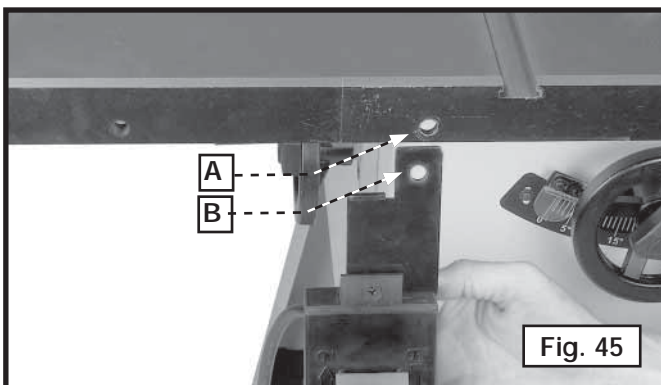
Assembler de la même façon l'autre rallonge en tôle du côté opposé de la table de scie.

MODÈLE 36-979 SEULEMENT

Assembler de la même façon l'autre rallonge en fonte du côté opposé de la table de scie.

INTERRUPTOR DE EN/DE

Conecte el interruptor detrás de la orilla de mesa con el hardware (suministró con la cerca). El tornillo que abrocha la baranda anterior de la cerca asegurará el interruptor yendo aunque el hoyo (A) Fig. 45 en la orilla de mesa y el hoyo (B) en el interruptor.



FONCTIONNEMENT

COMMANDES ET RÉGLAGES OPÉRATIONNELS

DÉMARRAGE ET ARRÊT DE LA SCIE

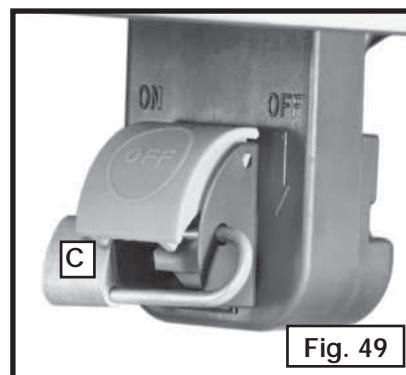
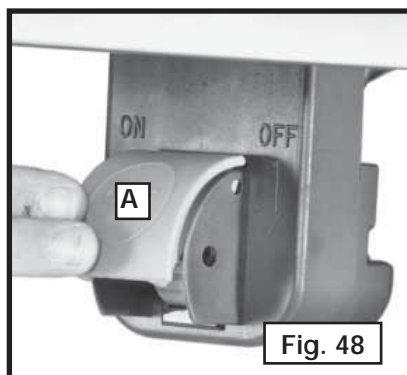
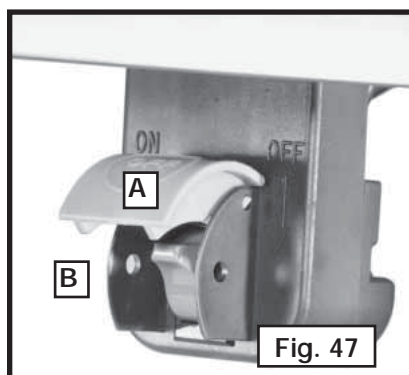
⚠ AVERTISSEMENT : S'assurer que l'interrupteur se trouve sur la position d'arrêt avant de brancher le cordon d'alimentation **DANS LA PRISE**. Ne pas toucher aux lames métalliques de la fiche lors du branchement ou débranchement du cordon.

1. L'interrupteur **MARCHE/ARRÊT** est situé sous un écran de protection (A, fig 47). Pour mettre la scie en marche, mettre le levier de l'interrupteur (B) en position élevée.
2. Pour la mettre à l'arrêt, enfoncer l'écran protecteur (A, fig. 48).

VERROUILLER L'INTERRUPTEUR EN POSITION D'ARRÊT

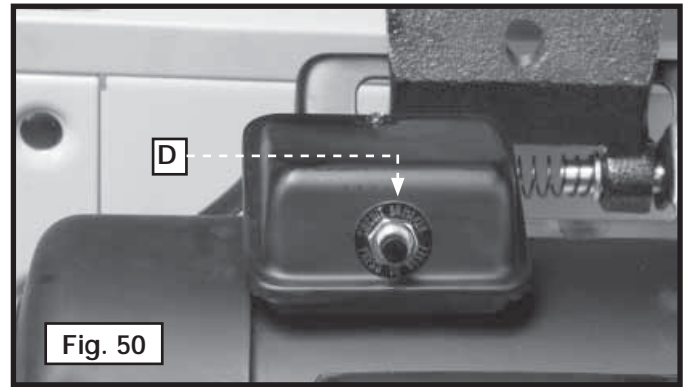
IMPORTANT : Lorsque la machine n'est pas utilisée, l'interrupteur doit être verrouillé en position d'arrêt (OFF) pour empêcher toute utilisation non autorisée en utilisant un cadenas (C, figure 49) avec une boucle (D) de 4,76 mm (3/16 po).

⚠ AVERTISSEMENT : En cas de panne d'électricité (telle un disjoncteur desarme ou un fusible grille) toujours déplacer l'interrupteur in position d'arrêt (OFF) jusqu'à ce que l'alimentation soit rétablie.



PROTECTION CONTRE LES SURCHARGES

Votre scie est munie d'un moteur doté d'un dispositif de réinitialisation manuelle contre les surcharges (A) fig. 50. Si le moteur s'arrête ou refuse de démarrer suite à une surcharge (coupe trop rapide, utilisation d'une lame émoussée, utilisation de la scie au-delà de ses capacités, etc.) ou d'une basse tension, mettre l'interrupteur à la position d'arrêt. Laisser refroidir le moteur pour trois à cinq minutes puis appuyer sur le bouton de réinitialisation (A) qui réinitialisera le dispositif surchargé.



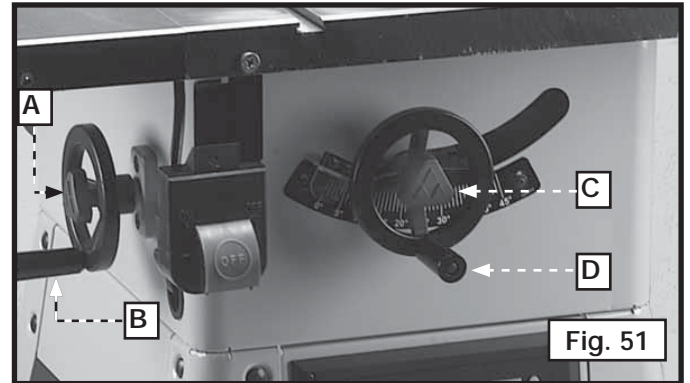
LEVER ET BAISSER LA LAME

Pour relever la lame, desserrer le bouton de verrouillage (C) fig. 51, et tourner le volant de réglage de la lame (D) en sens horaire. Pour l'abaisser, tourner le volant (D) en sens antihoraire. Lorsque la lame atteint la hauteur désirée, serrer le bouton de verrouillage (C).

REMARQUE : Un tour complet du volant modifiera la hauteur de la lame d'environ 6,4 mm (¼ po).

INCLINAISON DE LA LAME

Desserrer le bouton de verrouillage (A) et tourner le volant (B) pour incliner la lame de la scie pour une coupe en biseau. Lorsque l'angle voulu de la lame est atteint, serrer le bouton de verrouillage (A).

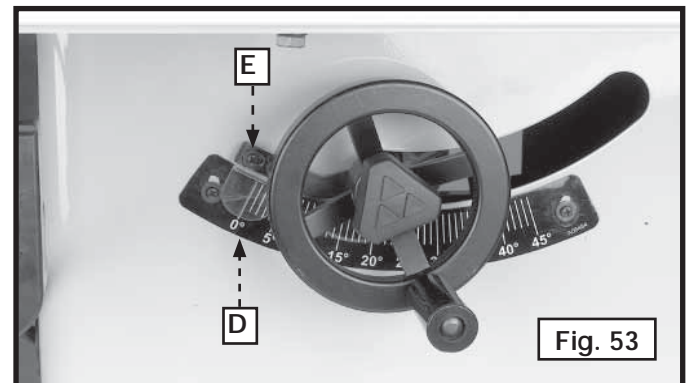
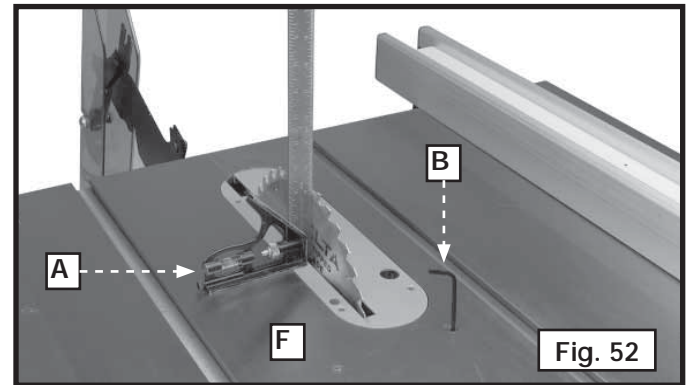


RÉGLAGE DES BUTÉES FIXES À 90 ET 45 DEGRÉS

La scie est équipée de butées fixes pour un positionnement rapide et précis de la lame de la scie à 90 et 45 degrés par rapport à la table. Pour vérifier et ajuster les butées fixes, suivre la procédure suivante :

⚠ AVERTISSEMENT : Débrancher la machine de la source d'alimentation.

1. Relever la lame de la scie à sa hauteur maximale.
2. Mettre la lame à 90° par rapport à la table en tournant le volant d'inclinaison de la lame (B) fig. 51 en sens antihoraire aussi loin que possible.
3. Utiliser une équerre combinée (A) fig. 52 pour confirmer si la lame est perpendiculaire par rapport à la table.
4. Dans le cas contraire, tourner le volant d'un tour (B) fig. 51 en sens horaire. Desserrer la vis de calage (F) fig. 52 avec la clé hexagonale de 4 mm. Tourner le volant jusqu'à ce que la lame soit à 90° par rapport à la table. Serrer la vis de calage (F) jusqu'au fond.
5. Desserrer les vis (E) fig. 53, ajuster l'indicateur fin (D) pour qu'il pointe sur la marque du zéro degré de l'échelle puis serrer les vis (E).
6. Tourner le volant d'inclinaison de la lame en sens horaire aussi loin que possible et, à l'aide d'une équerre combinée, vérifier si la lame est à 45° par rapport à la table.
7. Dans le cas contraire, tourner le volant d'un tour (B) fig. 51 en sens antihoraire. Desserrer la vis de calage (B) fig. 52. Tourner le volant jusqu'à ce que la lame soit à 45° par rapport à la table. Serrer la vis de calage (B) jusqu'au fond.

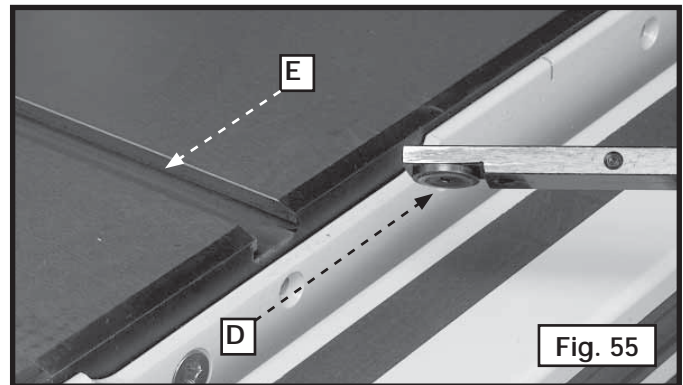
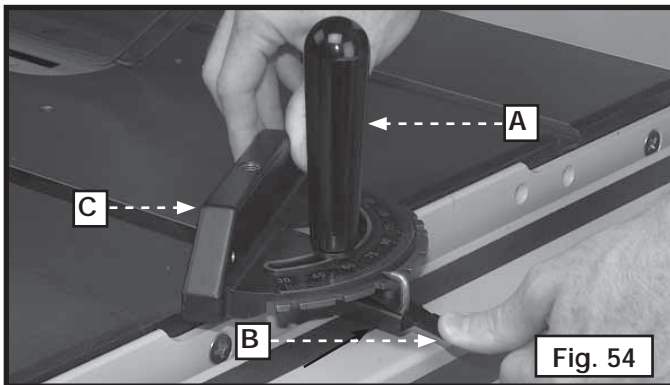


FONCTIONNEMENT ET RÉGLAGE DE LA JAUGE À ONGLET

La jauge à onglet est équipée de butées réglables à 90, 75, 60, 45 et 30 degrés.

Desserrer la poignée de verrouillage (A, fig. 54), appuyer sur le petit levier (B) vers le bas et déplacer le corps de la jauge à onglet (C) à l'angle désiré pour faire tourner la jauge.

La jauge à onglet est équipée d'une rondelle (D, fig. 55) compatible avec la rainure en T (E) de la table. Cette rondelle permet de tirer la jauge à onglet au-delà du bord avant de la table sans tomber pour une capacité de coupe accrue devant la table.



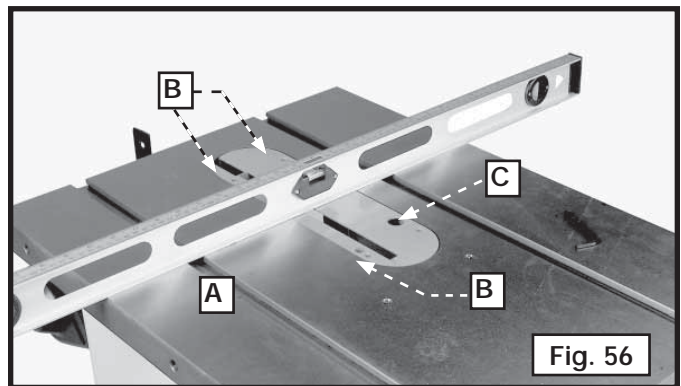
RÉGLAGE DE L'INSERT DE LA TABLE

⚠ AVERTISSEMENT : Débrancher la machine de la source d'alimentation.

Placer un bord droit sur toute la largeur de la table à chaque extrémité de l'insert de la table (A, fig. 56).

⚠ ATTENTION : S'assurer que l'insert de la table (A) soit toujours affleurant avec la table.

Pour régler, tourner les vis (B). L'insert de la table est doté d'un trou pour doigt (C) pour en faciliter le retrait.

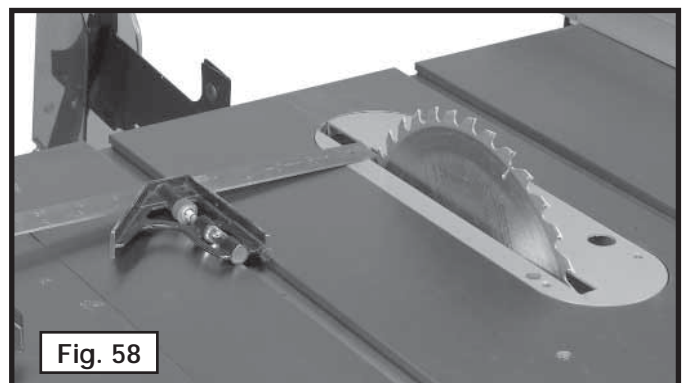
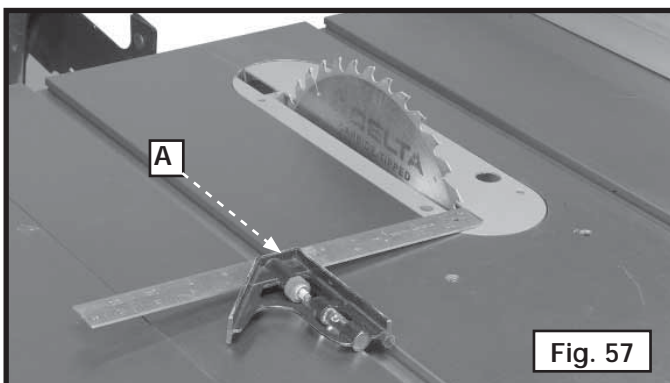


ALIGNEMENT DES FENTES DE LA JAUGE À ONGLET AVEC LA LAME

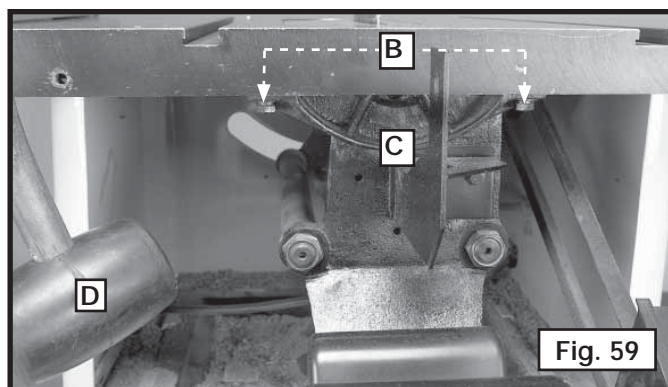
La table de la scie a été alignée à l'usine de sorte que les rainures du guide d'onglet soient parallèles à la lame de la scie. Toutefois, révéifier l'alignement avant la première utilisation.

⚠ AVERTISSEMENT : Débrancher la machine de la source d'alimentation.

1. Déposer une équerre combinée (A) fig. 57 sur la table avec un bord de l'équerre dans la rainure du guide d'onglet. Régler l'équerre de sorte que la règle touche une des dents de la lame de scie, en position de marche avant (fig. 57). Verrouiller l'équerre dans cette position.
2. Tourner la lame de la scie de sorte que la même dent, utilisée à l'ÉTAPE 1, soit à l'arrière (fig. 58). Mesurer la distance. Les mesures avant et arrière devraient être identiques.



3. Pour ajuster, desserrer les deux boulons à tête hexagonale (B) fig. 59 qui retiennent le tourillon arrière à la table de la scie.
4. Utiliser un marteau-caoutchouc (ou un marteau et un bloc de bois) pour tapoter sur le tourillon (C) pour positionner la lame de la scie au centre de la rainure de l'insert de table et parallèle à la rainure du guide d'onglet.
5. Serrer les deux boulons à tête hexagonale de l'ÉTAPE 3.
6. Incliner la lame à 45°. Tourner la lame de la scie à la main pour garantir qu'elle tourne librement sans toucher à l'insert de table.



CHANGEMENT DE LA LAME

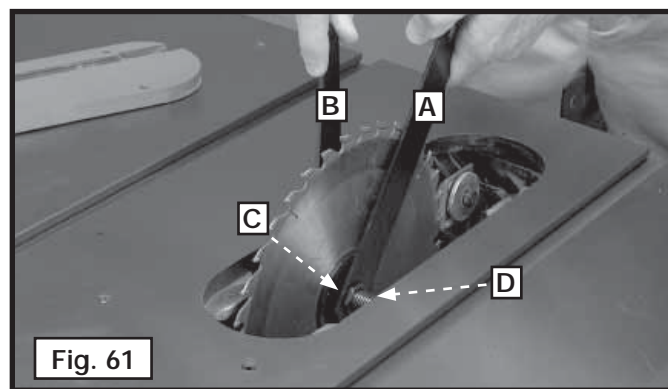
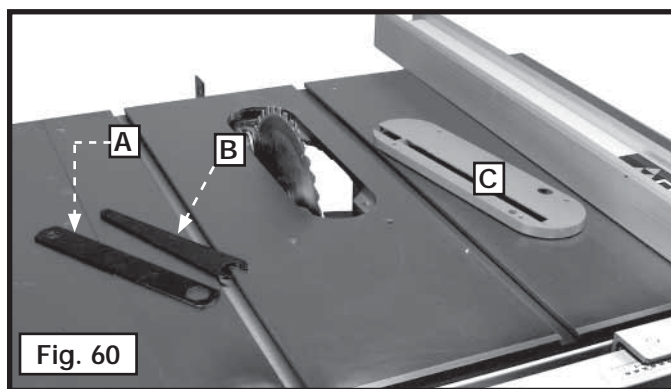
⚠ AVERTISSEMENT : Débrancher la machine de la source d'alimentation.

⚠ AVERTISSEMENT : Utiliser seulement de lames de 25,4 CM (10 PO) de diamètre pourvues d'un trou d'axe de 15,9 MM (5/8 PO) dont la capacité nominale correspond à au moins 3600 TR/MIN.

REMARQUE : Deux clés de 22,2 mm (7/8 po) sont fournies avec la scie pour le changement de la lame de la scie : une clé polygonale (A, fig. 61) et une clé à fourche (B).

1. Retirer l'insert de la table (C, fig. 60) et lever la lame de la scie à sa hauteur maximale.
2. Placer la clé à fourche (B, fig. 61) sur le côté plat de l'axe de scie pour empêcher celui-ci de tourner puis, à l'aide de la clé polygonale (A), tourner l'écrou de l'axe (D) vers l'avant de la scie pour la desserrer. Déposer l'écrou de l'axe, la bride de la lame (C) et la lame de la scie.
3. Placer la nouvelle lame sur l'axe de sorte que les dents pointent vers le bas lorsque la lame tourne en direction du devant de la table. Assembler la bride externe de la lame et l'écrou d'axe pour fixer solidement la lame. Avec la clé (B, fig. 61) sur le plat d'axe pour l'empêcher de tourner, serrer l'écrou d'axe en tournant la clé (A) vers l'arrière de la table de scie.
4. Replacer l'insert de la table.

REMARQUE : S'assurer d'installer la lame adéquate, bien affûtée, pour l'application en cours. En cas d'entreposage de plusieurs lames, ne pas les empiler les unes sur les autres. Placer un morceau de matériel (comme du carton) entre elles pour prévenir le contact.

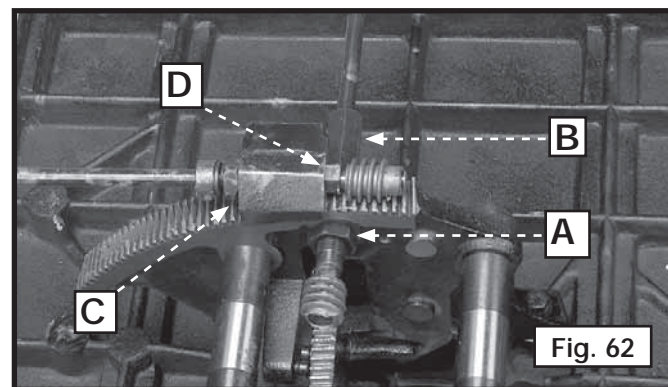


RÉGLAGES DU JEU DES MÉCANISMES DE LEVÉE ET D'INCLINAISON DE LA LAME

Effectuer les réglages suivants en cas de jeu dans les mécanismes de levée et d'inclinaison de la lame :

REMARQUE : Pour une question de sécurité et de clarté, la machine est à l'envers et la lame a été retirée.

1. **Réglage du mécanisme de levée de la lame :** desserrer l'écrou de verrouillage (A fig. 62) et tourner le manchon d'excentrique (B) jusqu'à élimination du jeu puis serrer l'écrou de verrouillage (A).
2. **Réglage du mécanisme d'inclinaison de la lame :** desserrer l'écrou de verrouillage (C, fig. 62) et tourner le manchon d'excentrique (D) jusqu'à élimination du jeu puis serrer l'écrou de verrouillage (C).



UTILISATION DE LA MACHINE

Les opérations courantes de sciage comprennent le sciage en long et le tronçonnage, ainsi que quelques autres opérations standard de nature fondamentale. Comme pour toute machine électrique, le fonctionnement et l'utilisation de cette machine comporte un certain nombre de risques. En utilisant cette machine avec toute la prudence requise, le risque de blessures corporelles en sera considérablement réduit. Au contraire, si les mesures de sécurité normales ne sont pas respectées ou complètement ignorées, l'opérateur de l'outil peut être blessé. Les informations suivantes décrivent la méthode sûre et correcte à suivre pour exécuter les opérations de sciage les plus courantes.

⚠ AVERTISSEMENT : Ce mode d'emploi ne fournit pas les directives concernant l'installation du système de guide longitudinal. Installer un système de guide longitudinal avant d'utiliser la scie. Veuillez consulter le mode d'emploi du guide longitudinal pour une installation, un alignement et une utilisation corrects du système. Consulter la section « ACCESSOIRES » pour les systèmes de guide longitudinal disponibles.

⚠ AVERTISSEMENT : L'utilisation de pièces et d'accessoires qui ne sont pas recommandés par Delta risque de provoquer des blessures.

⚠ AVERTISSEMENT : Ne jamais utiliser la scie sans l'insert de table approprié pour la lame de la scie ou la fraise en

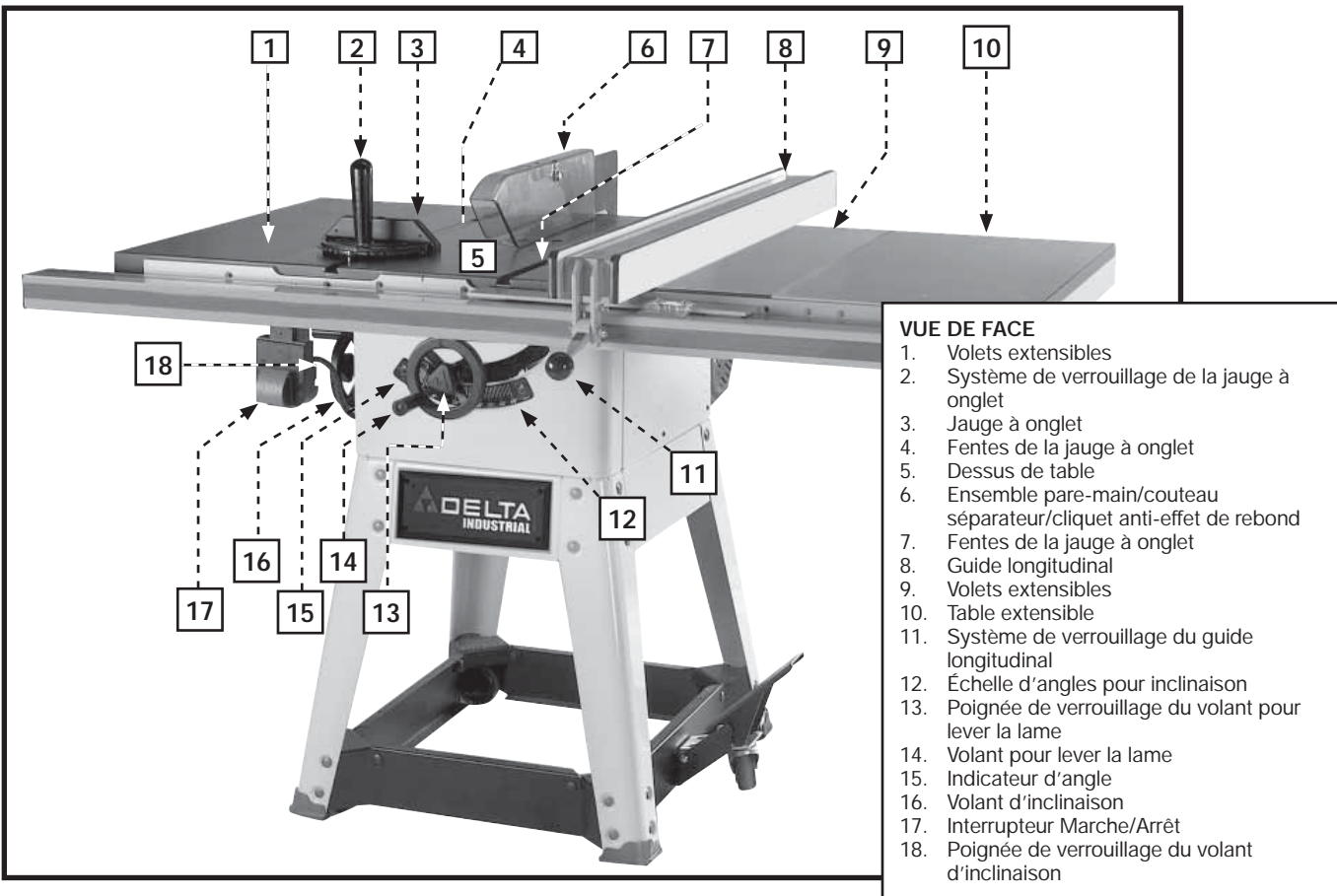
LISTE DE CONTRÔLE RAPIDE AVANT UTILISATION

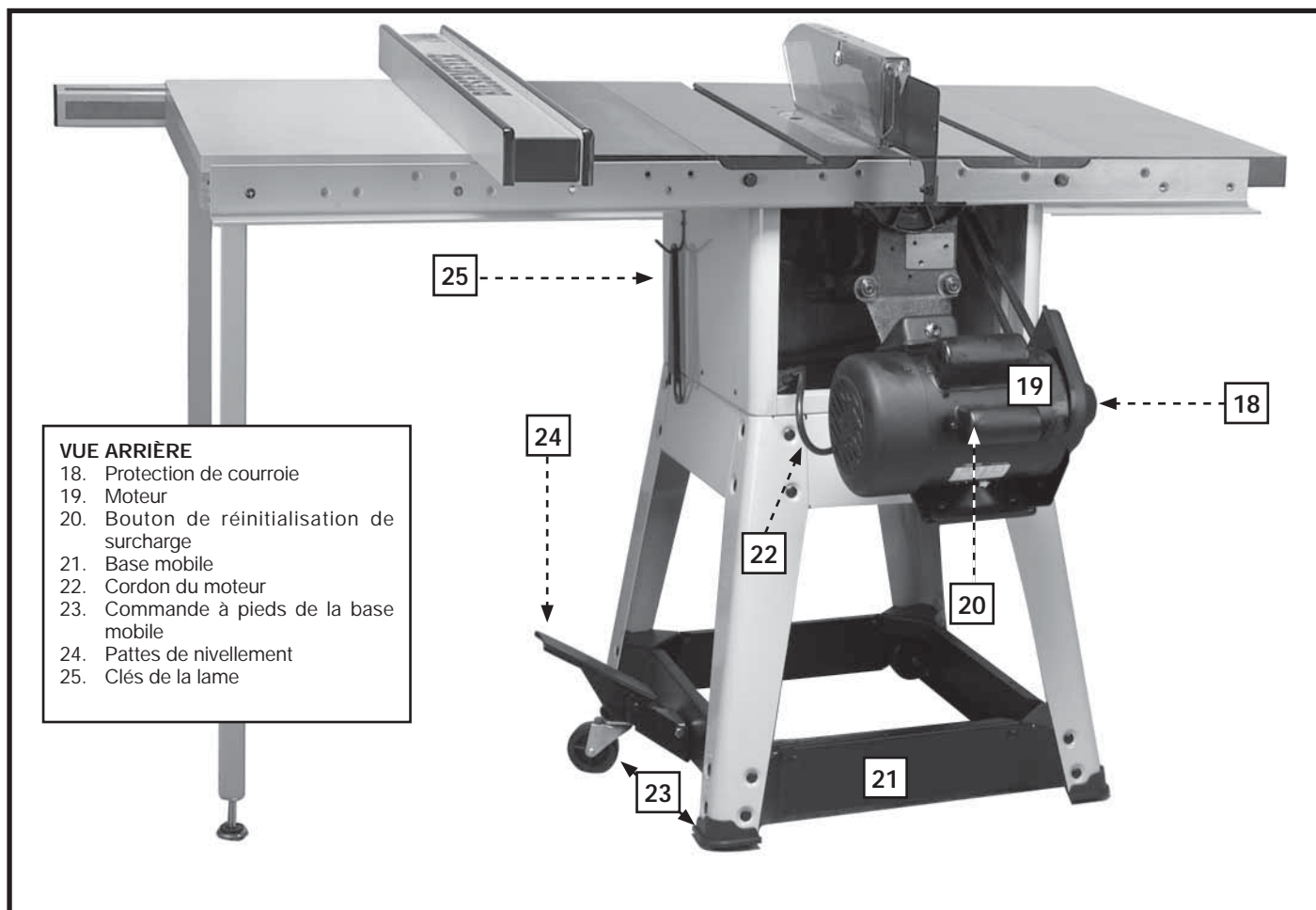
⚠ ATTENTION : À chaque fois, avant d'utiliser la scie, vérifier les points suivants :

1. La lame est bien serrée.
2. Les poignées de verrouillage de l'angle du biseau et de la hauteur sont bien serrées.
3. S'assurer que le levier de blocage du guide longitudinal est bien serré et que le guide longitudinal est parallèle à la lame en cas de sciage en long.
4. La poignée de la jauge à onglet est bien serrée pour le tronçonnage.
5. Utiliser la protection oculaire et auditive ainsi que l'appareil respiratoire appropriés.
6. Le pare-main est correctement attaché et les cliquets anti-effet de rebond fonctionnent.

⚠ ATTENTION : Ne pas suivre ces consignes de sécurité de base augmente grandement les risques de blessures.

PRINCIPALES PIÈCES ET FONCTIONNALITÉS DE SÉCURITÉ DE VOTRE SCIE





UTILISATION DU PARE-MAIN ET DU COUTEAU SÉPARATEUR

⚠ AVERTISSEMENT : Delta (FIG. 63) pour toutes opérations de débitage complet. Le couteau séparateur empêche le trait de scie de se fermer et de coincer la lame, ce qui provoque normalement un effet de rebond. Les cliquets anti-effet de rebond (A, fig. 62) empêchent la projection de l'ouvrage et de la pièce coupée en direction de l'opérateur. Le pare-main en plastique empêche la projection de poussière et de débris en direction de l'opérateur. Utilisation correcte du pare-main:

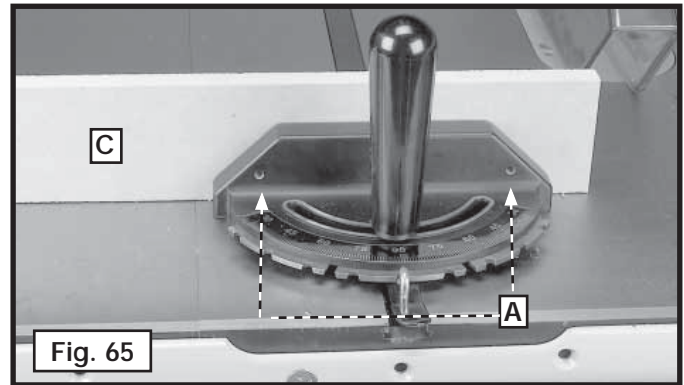
1. S'assurer que le couteau séparateur est aligné avec la lame tel que décrit dans la section « **ASSEMBLAGE ET ALIGNEMENT DU PARE-MAIN ET DU COUTEAU SÉPARATEUR** ».
2. Remplacer ou affûter les cliquets anti-effet de rebond dès qu'ils sont émoussés.
3. Maintenir le pare-main propre pour une bonne visibilité et un mouvement libre.
4. L'utilisation de solvants ou lubrifiants sur le pare-main risque d'endommager gravement le plastique.
5. Être prudent lors de l'insertion d'ouvrages qui pourraient heurter le pare-main et coincer ou forcer le pare-main sur la lame (comme lors de coupe de moule).



TRONÇONNAGE

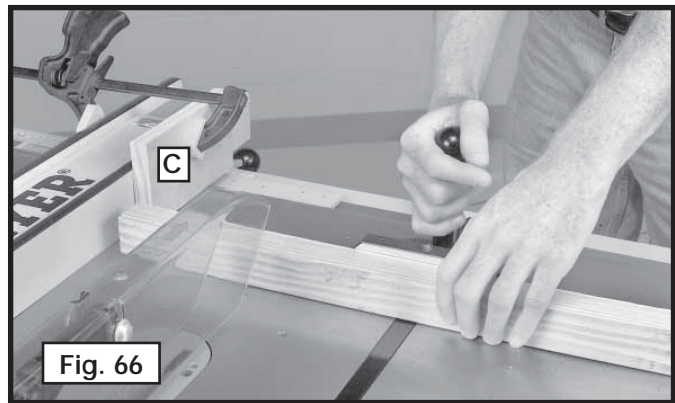
Le tronçonnage nécessite l'utilisation de la jauge à onglet pour positionner et guider l'ouvrage. Avant de débiter le tronçonnage, lever la lame environ 3,2 mm (1/8 po) de plus que le dessus de l'ouvrage. Placer l'ouvrage contre la jauge à onglet et pousser la jauge et l'ouvrage en direction de la lame de la scie (Fig. 64). Utiliser la jauge à onglet dans l'une ou l'autre des fentes de la table. Commencer à couper doucement et tenir fermement l'ouvrage contre la jauge à onglet et la table. Tenir avec les deux mains la jauge à onglet et l'ouvrage. Ne pas toucher la pièce coupée. Alimenter l'ouvrage de façon constante sous la lame jusqu'à ce que l'ouvrage soit entièrement coupé. Déplacer légèrement l'ouvrage sur le côté loin de la lame puis ramener l'ouvrage et la jauge à onglet en position de départ. Enlever l'ouvrage puis utiliser un poussoir pour pousser la pièce coupée au-delà de la lame et de la table avant de débiter la prochaine coupe.

Pour renforcer votre sécurité et pour plus de commodité, la jauge à onglet peut être insérée à l'aide d'une planche de repère (C) comme le montre la figure 65, dont la hauteur doit être supérieure à la profondeur de coupe maximale d'au moins 25,4 mm (1 po), et doit dépasser d'au moins 304,8 mm (12 po) d'un côté ou de l'autre, selon la fente de la jauge à onglet qui est utilisée. Cette planche de repère (C) peut être fixée à l'avant de la jauge à onglet en vissant deux vis à bois (A) dans les trous du corps de la jauge à onglet et dans la planche de repère.



⚠ AVERTISSEMENT : Ne jamais utiliser le guide comme jauge de coupe pour les opérations de tronçonnage.

Pour tronçonner plusieurs pièces de même longueur, un bloc de bois (B) peut être fixé sur le guide et utilisé comme jauge de coupe, comme le montre la fig. 66. Le bloc (B) doit avoir au moins 19,1 mm (3/4 po) d'épaisseur pour empêcher la pièce coupée de se coincer entre la lame et le guide lors de l'enlèvement de la pièce de la table. Il est important de toujours positionner ce bloc de bois devant la lame de la scie comme indiqué. Une fois que la longueur de coupe est déterminée, verrouiller le guide et utiliser la jauge à onglet pour guider l'ouvrage pendant la coupe.

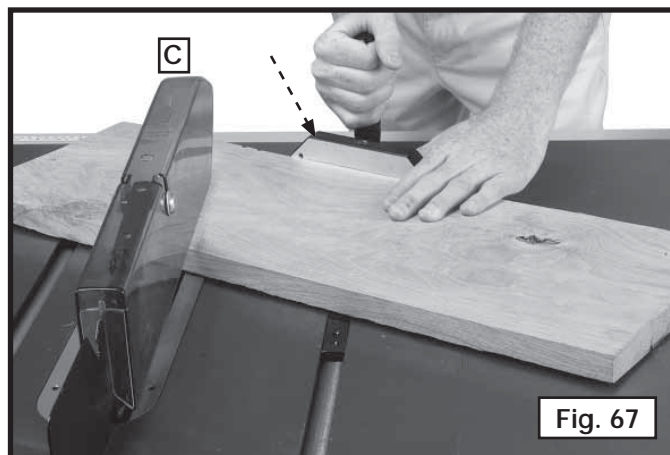


⚠ ATTENTION : Lors de l'utilisation du bloc (B, Fig. 66) comme jauge de coupe, il est très important de positionner l'extrémité arrière du bloc de façon à tenir l'ouvrage éloigné du bloc avant qu'il n'entre en contact avec la scie.

DÉCOUPE À L'ONGLET

La découpe à l'onglet (fig. 67) est semblable au tronçonnage sauf que la jauge à onglet (C) est verrouillée à un angle autre que zéro degré. Tenir fermement l'ouvrage contre la jauge à onglet pour guider l'ouvrage sur la lame pour empêcher l'ouvrage de bouger.

⚠ AVERTISSEMENT : Être très prudent au début de la coupe pour empêcher la pièce de se coincer contre le pare-main. Des angles d'onglet de plus de 45 degrés peuvent forcer le pare-main sur la lame de la scie et endommager celle-ci. Tester le fonctionnement en insérant l'ouvrage sur le pare-main avant de démarrer le moteur. Si le pare-main touche la lame, placer l'ouvrage sous le pare-main sans toucher à la lame, avant de démarrer le moteur. Le pare-main risque de ne pas se lever correctement pour certains formats d'ouvrage, comme des moulures. Guider l'ouvrage lentement pour debuter la coupe.



TRONÇONNAGE EN BISEAU

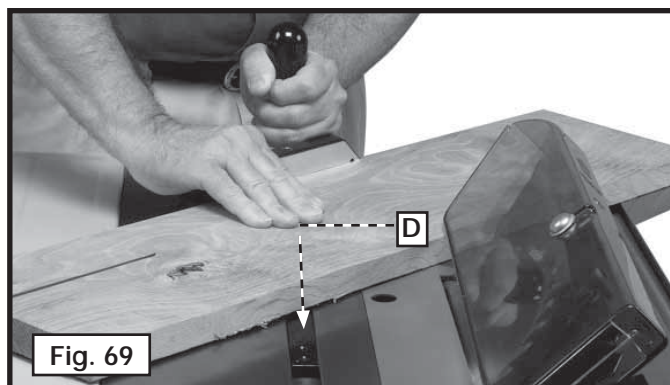
Le tronçonnage en biseau (comme indiqué à la fig 68) est similaire au tronçonnage sauf que l'angle de biseau est réglé à un angle autre que zéro degré.

⚠ AVERTISSEMENT : Autant que possible, utiliser la fente de droite de la jauge onglet pour le tronçonnage en biseau de sorte que la lame s'éloigne de la jauge à onglet et de vos mains.

⚠ AVERTISSEMENT : Être très prudent au début de la coupe pour empêcher la pièce de se coincer contre le pare-main.

DÉCOUPE À ONGLET MIXTE

La découpe à onglet mixte (comme indiqué à la fig. 69) est une combinaison de tronçonnage en biseau et de coupe à onglet alors que la lame coupe en biseau à un angle autre que zéro degré et que la jauge à onglet est verrouillée à un angle autre que zéro degré. Utiliser toujours la fente (D) de la jauge qui permet à la lame de s'éloigner de la jauge à onglet et des mains.



SCIAGE EN LONG

Le sciage en long, (fig 70), est l'action de couper totalement une planche dans sa longueur. Le guide longitudinal (A) est utilisé pour positionner et guider l'ouvrage. L'un des bords de l'ouvrage vient s'appuyer contre le guide longitudinal tandis que le côté plat de la planche repose sur la table.

⚠ AVERTISSEMENT : Le pare-main de la lame de la scie doit être utilisé. Sur les scies Delta, Le pare-main est doté de cliquets anti-effet de rebond afin d'empêcher le trait de scie de se fermer et de coincer la lame. s'assurer de remplacer ou d'affuter les dispositifs anti-effet de rebond lorsque les pointes s'émoussent.

⚠ AVERTISSEMENT : Toujours utiliser un guide longitudinal pour un sciage sur le long. Ne jamais effectuer d'opération de sciage sur le long mains libres. Toujours verrouiller le guide longitudinal sur le rail.

⚠ AVERTISSEMENT : L'ouvrage doit avoir un bord droit contre le guide longitudinal et ne doit pas être tordu, déformé ou arque.

1. Avant de débiter le tronçonnage, lever la lame environ 3,2 mm (1/8 po) de plus que le dessus de l'ouvrage. Démarrer le moteur et avancer l'ouvrage en le tenant vers le bas, contre le guide. Ne jamais se mettre dans la trajectoire de la scie lors d'une opération de sciage en long. Lorsque la largeur de l'ouvrage pour le sciage sur le long est de 15,2 cm (6 po) ou plus, tenir l'ouvrage avec les deux mains et le guider le long du guide sous la lame de la scie (fig. 70). Au cours du sciage sur le long, la force doit toujours être appliquée entre la lame de la scie et le guide. Ne jamais tirer sur l'ouvrage à partir de l'arrière de la table de scie. L'ouvrage doit être alors guidé sous la lame de la scie avec la main droite. Utiliser seulement la main gauche pour guider l'ouvrage contre le guide. Retirer la main gauche de l'ouvrage à environ 30,5 cm (12 po) de l'avant de la lame. Ne pas guider l'ouvrage avec la main gauche. Maintenir une pression sur la pièce contre le guide et sur la table de la scie. S'assurer d'avoir un dispositif d'appui de sortie approprié pour la pièce. **TENIR LES MAINS ÉLOIGNÉES DE LA LAME DE SCIE.**
2. Une fois l'ouvrage au-delà de la lame, la pièce restera sur la table ou s'inclinera légèrement et sera prise par une extrémité du pare-main. Alternativement, il est possible de continuer de guider l'ouvrage vers l'extrémité de la table, après quoi il faut déplacer l'ouvrage pour le placer le long du bord extérieur du guide. Pour scier en long des planches de plus de trois pieds (914 mm) de long, utiliser un support de pièce à l'arrière de la scie afin d'empêcher la scie de tomber de la table.
3. Si vos mains sont à moins de 15,2 cm (6 po) de la lame de la scie en fonction de la taille ou la forme de l'ouvrage, utiliser un poussoir pour terminer la coupe fig. 71 Il est facile de réaliser un poussoir avec des déchets de découpe comme décrit dans la section « FABRICATION D'UN POUSSOIR ».
4. Il peut être dangereux de scier des pièces étroites en long si cette opération n'est pas réalisée avec prudence. Si possible, scier la pièce étroite à partir de la pièce la plus large. Si l'ouvrage est assez petit, utiliser un poussoir. (Un poussoir peut être construit comme le montre la Fig. 72 et utilisé comme le montre la fig. 73).

REMARQUE : à la figure 73, le protège-lame et le couteau séparateur ont été retiré pour plus de clarté. **Utiliser le protège-lame et le couteau séparateur lors de sciage en long.**

5. Pour les pièces plus longues, utiliser un ou plusieurs poussoirs pour éviter de placer vos mains entre le guide et la lame. Toujours être prudent et éviter de coincer des languettes étroites entre les cliquets anti-effet de rebond et le couteau séparateur.

REMARQUE : Certaines opérations spéciales (utilisation de la fraise à moulurer) nécessitent d'utiliser également une planche de repère sur le guide, comme expliqué à la section « UTILISATION D'UNE PLANCHE DE REPÈRE », ainsi qu'un poussoir.

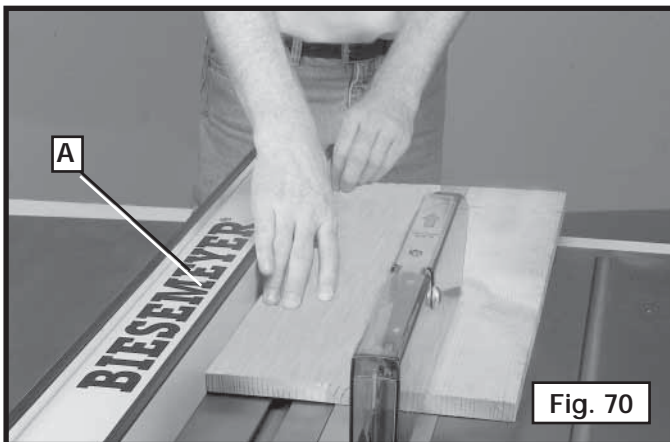


Fig. 70

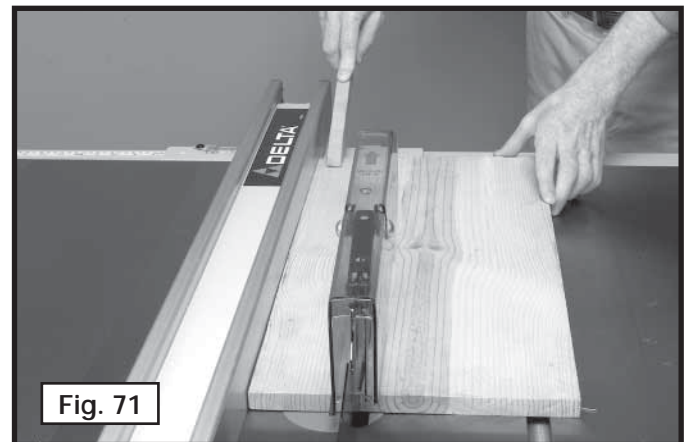


Fig. 71

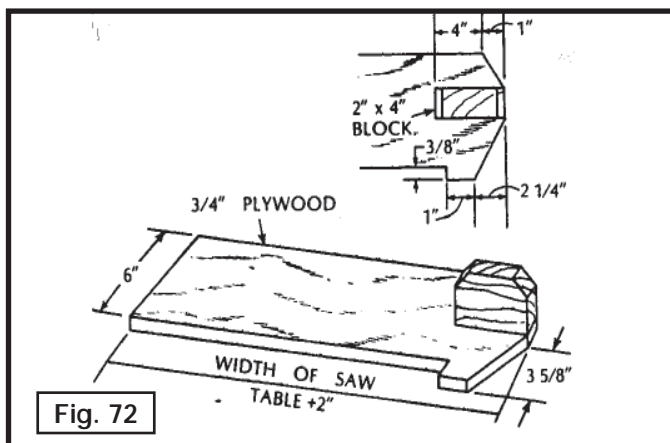


Fig. 72

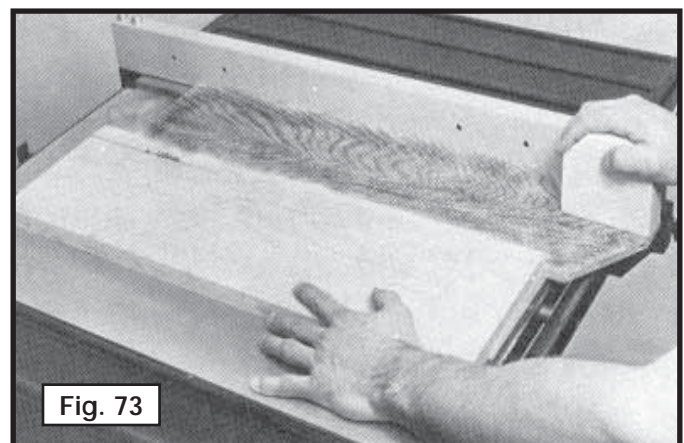


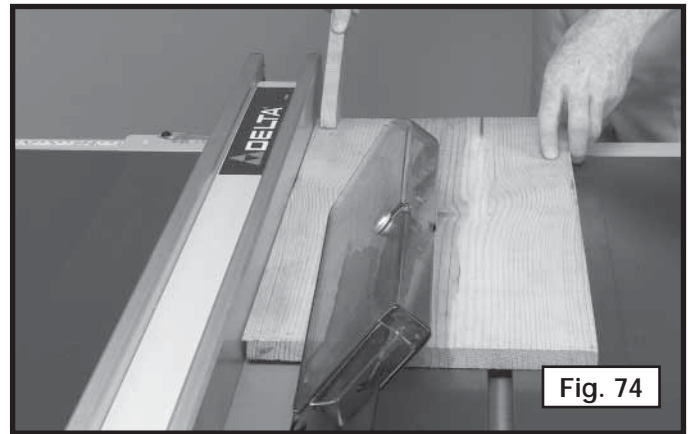
Fig. 73

SCIAGE SUR LE LONG EN BISEAU

Le sciage sur le long en biseau (fig 74) est similaire au sciage sur le long sauf que l'angle de biseau est réglé à un angle autre que zéro degré.

⚠ AVERTISSEMENT : Autant que possible, placer le guide à la droite de la lame pour que celle-ci s'incline en s'éloignant du guide et des mains. Tenir les mains éloignées de la lame et utiliser un poussoir pour guider l'ouvrage s'il y a moins de 15,2 cm (6 po) entre le guide et la lame.

⚠ AVERTISSEMENT : Être très prudent au début de la coupe pour empêcher la pièce de se coincer contre le pare-main.



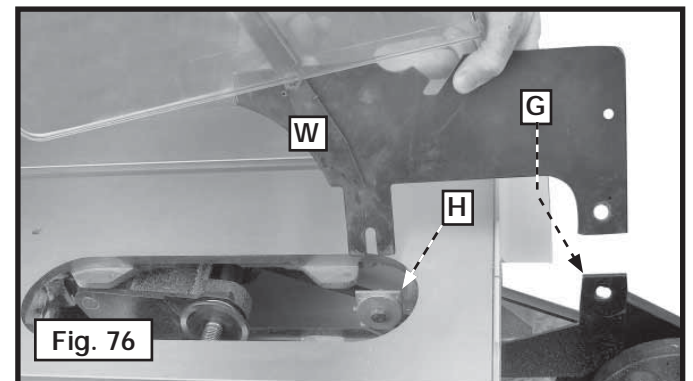
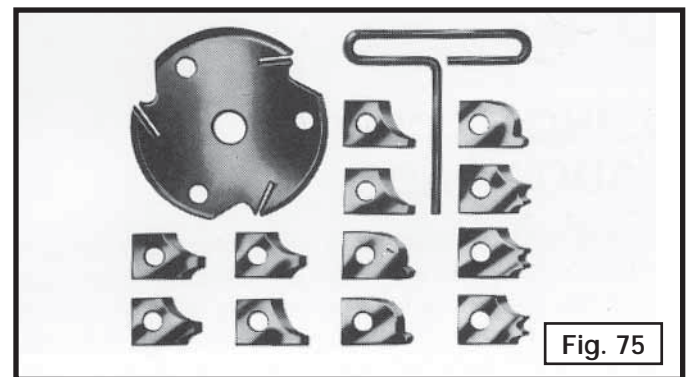
UTILISATION DE LA FRAISE À MOULURER

Mouler est tout simplement la coupe d'une forme sur le bord ou la face d'un ouvrage à l'aide d'une fraise à mouler spéciale.

La fraise à mouler comprend une fraise à mouler sur laquelle s'assemblent diverses formes de couteaux en acier (fig. 75). Chacun des trois couteaux d'un ensemble s'insère dans une fente de la fraise et se fixe solidement à l'aide d'une vis. Retirer la sciure qui pourrait s'accumuler dans les rainures du couteau et empêcher celui-ci de bien s'asseoir.

⚠ ATTENTION : Pour certaines opérations de coupe (rainurage et travail de moule) qui ne requièrent pas une coupe de part en part de l'ouvrage, ne pas utiliser l'ensemble pare-main/couteau séparateur. Desserrer les vis en (g) et (h) Fig. 76. Lever et retirer l'ensemble pare-main/couteau séparateur (W).

⚠ AVERTISSEMENT : Utiliser des poussoirs, dispositifs d'ancrage, serre-joints, fixations, planches en éventail pour mieux guider et contrôler l'ouvrage en l'absence du guide longitudinal.



REMARQUE : La bride d'axe externe ne peut être utilisée avec la fraise à mouler. Serrer l'écrou d'axe contre le corps de la fraise. Ne pas perdre la bride d'axe externe. Elle sera nécessaire pour fixer à nouveau une lame sur l'axe.

⚠ AVERTISSEMENT : Toujours réinstaller et assembler l'ensemble pare-main/couteau séparateur à sa propre position de fonctionnement pour des opérations normales de débutage complet.

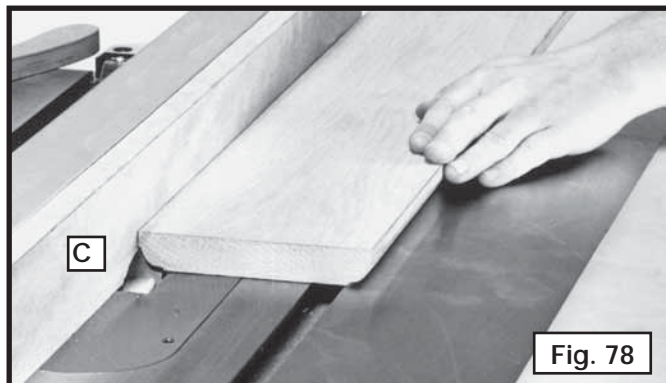
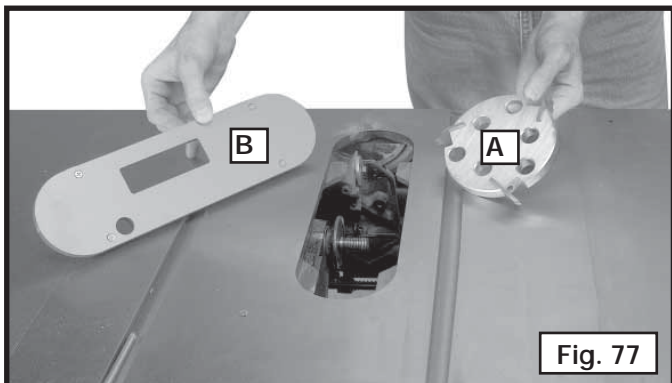
1. La figure 77 montre une fraise à mouler (A) assemblée sur l'axe de la scie. **De plus, utiliser l'insert de table accessoire (B) pour la fraise à mouler au lieu de l'insert standard de la table.**
2. Lors de l'utilisation de la fraise à mouler, ajouter une planche de repère (C) devant le guide longitudinal (fig. 78). Fixer la planche de repère sur le guide en mettant des vis à bois dans les trous qui devront être percés dans le guide. Des pièces de repère de 19,1 mm (¾ po) d'épaisseur sont convenables pour la plupart des travaux, même si parfois un travail requiert une planche de repère de 25,4 mm (1 po).
3. Installer la planche de repère au-dessus de la fraise avec celle-ci sous le niveau de la table. Démarrer la scie et lever la fraise. Elle effectuera sa propre rainure dans la planche de repère. La figure 78 montre une opération courante de coupe à la fraise.

⚠ AVERTISSEMENT : Ne jamais utiliser une fraise à mouler en position de biseau.

⚠ AVERTISSEMENT : Ne jamais guider une pièce entre le guide longitudinal et la fraise à mouler. Une pièce de bois de forme irrégulière provoquera un effet de rebond.

⚠ ATTENTION : Être attentif au sens du fil. Autant que possible, toujours couper dans le sens du fil.

⚠ AVERTISSEMENT : Toujours installer le pare-main de la lame après avoir terminé l'opération.



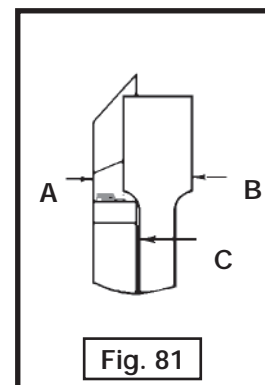
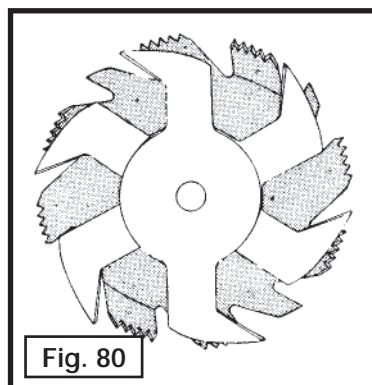
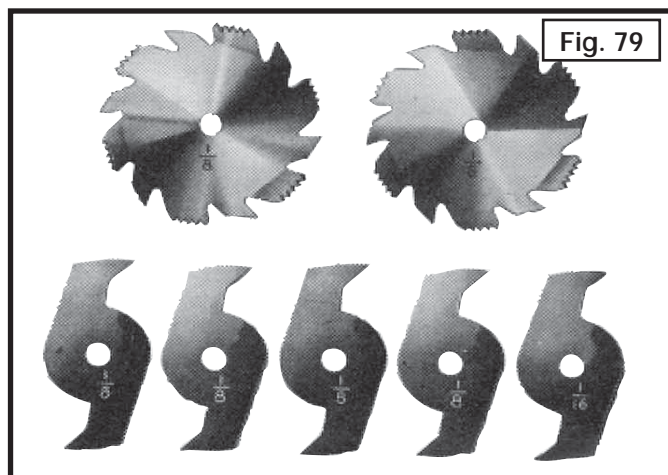
UTILISATION DE LA TÊTE À RAINURER ACCESSOIRE

⚠ AVERTISSEMENT : L'ensemble pare-main/couteau séparateur ne peut pas être utilisé pour les rainurages ou les coupes à la fraise à mouler. Il doit être retiré tel que décrit dans la section « UTILISATION DE LA FRAISE À MOULER ACCESSOIRE ».

⚠ AVERTISSEMENT : Utiliser des poussoirs, dispositifs d'ancrage, serre-joints, fixations, planches en éventail pour mieux guider et contrôler l'ouvrage en l'absence du guide longitudinal.

⚠ ATTENTION : L'insert de table pour l'ensemble à rainurer accessoire (B) Fig. 77 doit être utilisé au lieu de l'insert de table standard.

Le rainurage consiste à couper une feuillure ou une rainure large dans l'ouvrage. La plupart des ensembles à rainurer sont constitués de deux scies externes et de quatre ou cinq couteaux internes (Fig. 80). De nombreuses combinaisons de scies et couteaux sont utilisées pour couper des rainures de 3,18 mm (1/8 po) à 20,63 mm (13/16 po) pour des étagères, pour réaliser des assemblages, tenonnage simple et double, rainurage simple et double, etc. Les couteaux sont très estampés et doivent être placés de façon à ce que les dents ne se frappent pas en cours de rotation. La partie estampée des couteaux devrait se trouver au niveau des dents des scies externes, fig. 80. La figure 81 montre la superposition de la scie et du couteau ; (A) est la scie externe, (B) est un couteau interne, et (C) est un joint en papier utilisé si besoin pour contrôler la largeur exacte de la rainure. Une rainure de 6,35 mm (1/4 po) est coupée à l'aide des deux scies externes. Les dents des scies doivent être positionnées de façon à ce que le rabot de l'une des scies se trouve à côté de la dent coupante de l'autre scie.



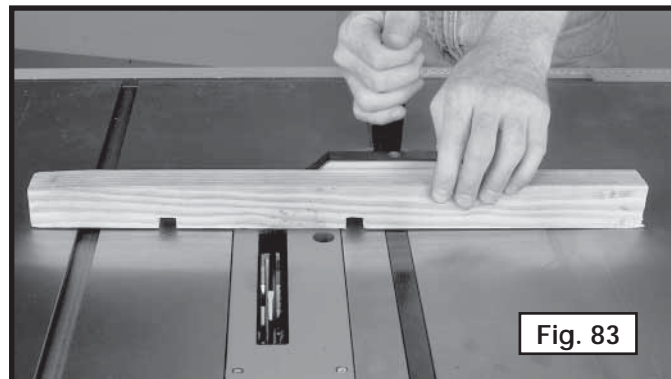
⚠ AVERTISSEMENT : Ne pas empiler des lames pour rainurage plus épaisses que 20 mm (13/16 po). Ne pas utiliser des lames pour rainurage plus large que 200 mm (8 po) de diamètre.

2. Fixer l'ensemble à rainurer (D) Fig. 82 sur l'axe de la scie.

REMARQUE : Si l'écrou d'axe ne réussit pas à se visser complètement sur le filetage de l'axe, déposer la bride d'axe externe et serrer l'écrou d'axe contre le corps de l'ensemble à rainurer. Ne pas perdre la bride d'axe externe. Elle sera nécessaire pour fixer à nouveau une lame sur l'axe.

⚠ ATTENTION : Ne jamais utiliser la tête à rainurer en position de biseau.

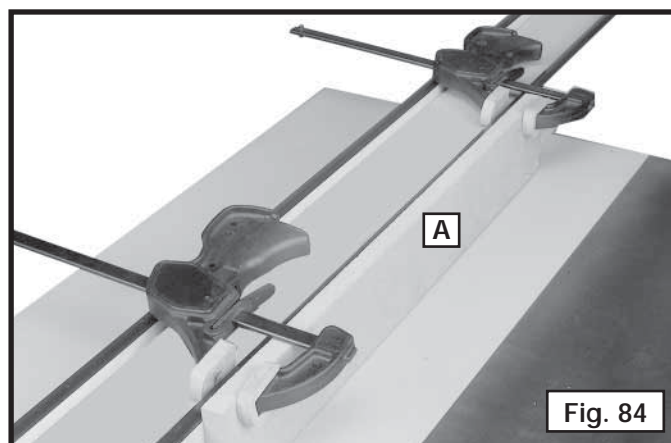
⚠ AVERTISSEMENT : Toujours installer le pare-main de la lame et l'insert standard de table après avoir terminé l'opération.



Une opération courante de rainurage est illustrée à la figure 83.

UTILISATION D'UNE PLANCHE DE REPÈRE

Planche de repère (a, fig. 84) sur un ou chaque côté du guide longitudinal. Selon le guide, la planche de repère se fixe au guide à l'aide de vis à bois dans des trous percés dans le guide ou à l'aide de deux bries de fixation (fig. 84). Pour la plupart des travaux, une pièce de 19,1 mm (3/4 po) est convenable même si parfois un travail requiert une planche de repère de 25,4 mm (1 po).



FABRICATION D'UNE PLANCHE EN ÉVENTAIL

La figure 85 illustre les dimensions utilisées pour la fabrication d'une planche en éventail type. Utiliser une pièce de bois droite exempte de nœuds et de fissures pour la fabrication de la planche en éventail. Les planches en éventail sont utilisées pour maintenir l'ouvrage en contact avec le guide et la table, comme indiqué à la fig. 86, et pour permettre d'éviter les effets de rebond. Fixer les planches en éventail sur le guide et la table de sorte que le bord d'attaque des planches en éventail soutienne l'ouvrage tout au long de la coupe. Une planche à plat de 20,3 cm (8 po) peut être fixée au guide longitudinal et la planche en éventail, à celle-ci.

⚠ AVERTISSEMENT Utiliser des planches en éventail pour toutes les opérations, hors débitage complet, pour lesquelles l'ensemble pare-main/coteau séparateur ne peut être utilisé. Toujours replacer l'ensemble pare-main/coteau séparateur lorsque l'opération hors débitage complet est terminée. S'assurer que la planche en éventail ne s'appuie que sur la partie de l'ouvrage devant la lame.

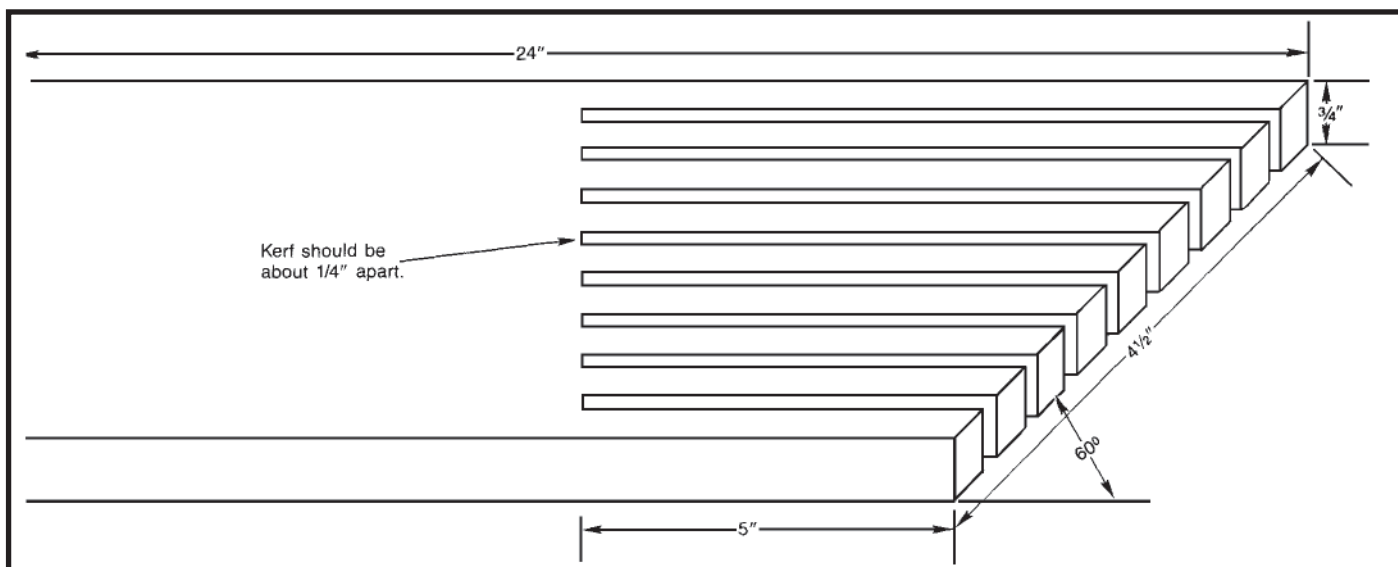


Fig. 85

De plus amples informations concernant l'utilisation sûre et correcte de la table à scies sont disponibles dans le manuel d'utilisation Delta « Getting the Most Out of Your Table Saw » (Optimiser l'utilisation de votre banc de scie), catalogue no. 11-400. Des renseignements supplémentaires à propos de la sécurité en matière de banc de scie, notamment une vidéo à propos de la sécurité, sont disponibles auprès de :

Power tool institute
1300 Sumner Avenue
Cleveland, OH 44115-2851 ÉTATS-UNIS
www.powertoolinstitute.com

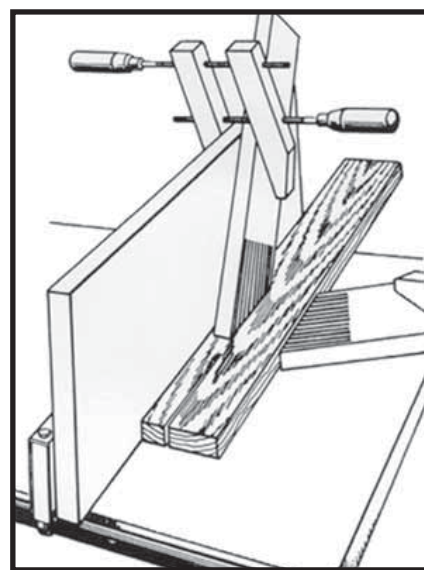
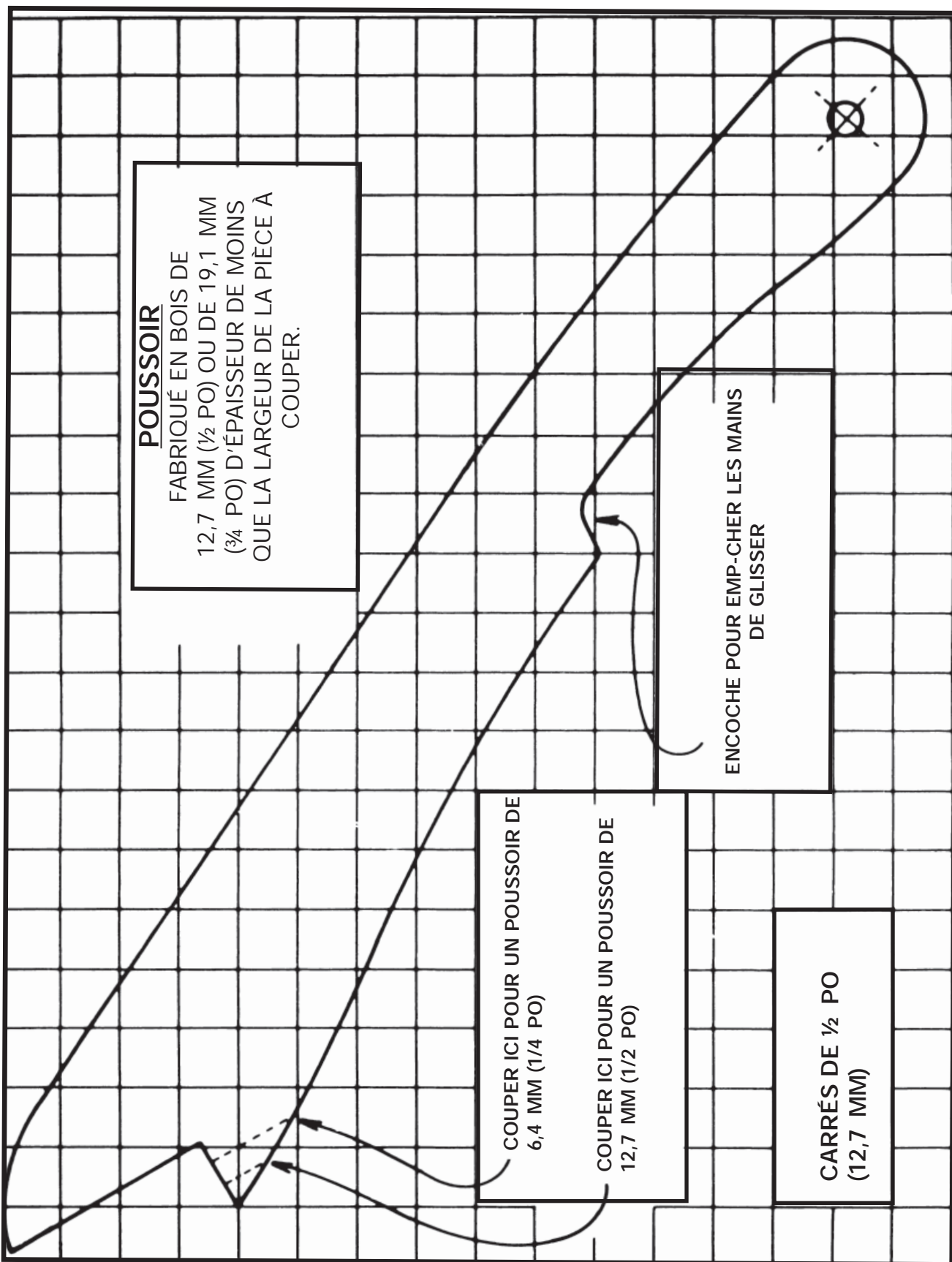


Fig. 86

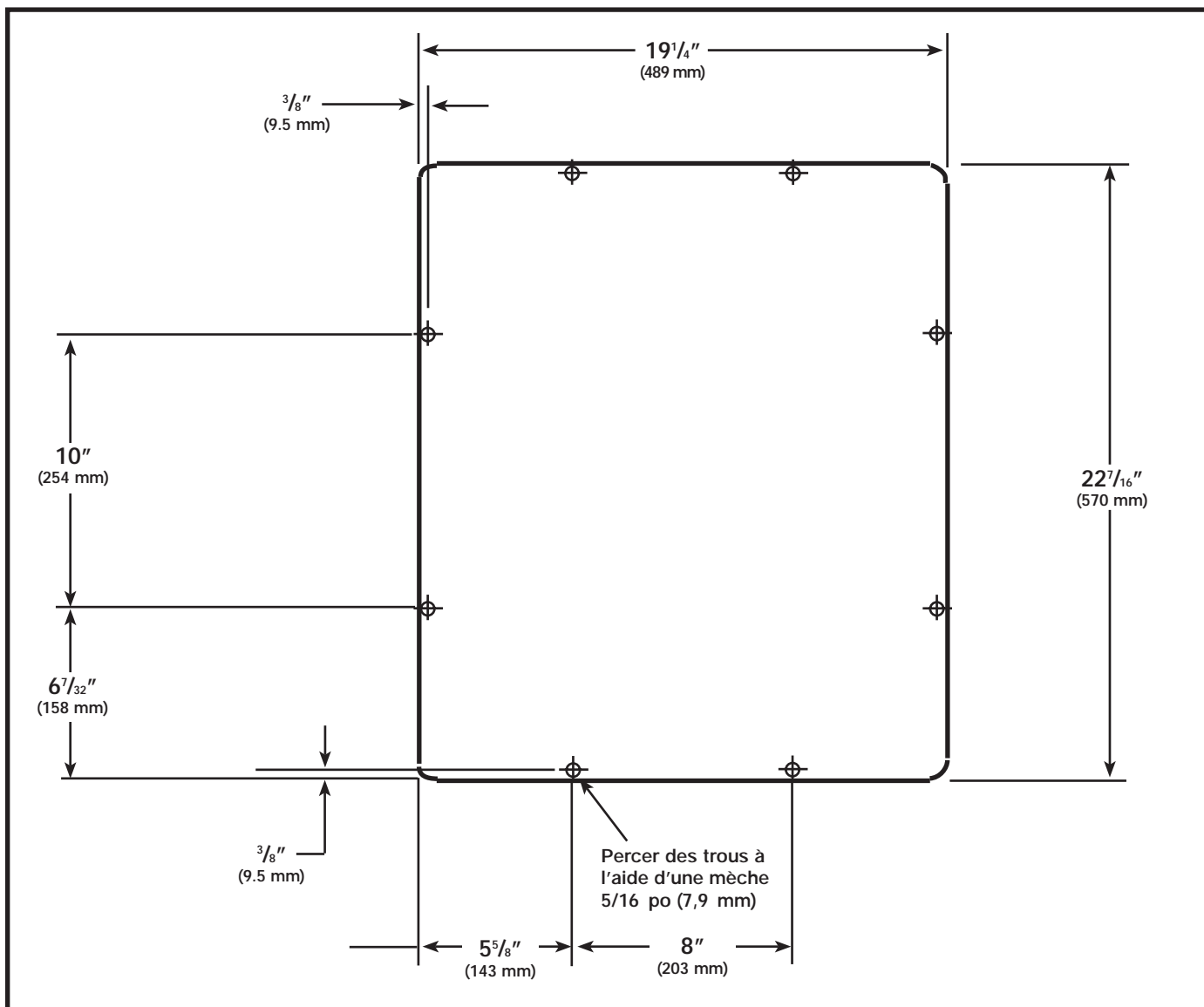
CONSTRUIRE UN POUSSOIR

⚠ AVERTISSEMENT : Pour scier en long un ouvrage de moins de 15,24 cm (6 po) de large, utiliser un poussoir pour terminer la coupe. Il est facile de fabriquer un poussoir avec des déchets de découpe en suivant le patron.



MESURES DE LA TABLETTE

Pour la fabrication d'une table pour votre table de scie, utiliser le schéma ci-dessous pour la taille du contreplaqué et le positionnement des trous. S'assurer de fixer la tablette au socle et au système de mobilité alors qu'il est à l'envers au cours de la procédure d'assemblage. Fixer la tablette, une fois coupée, à l'aide de vis à bois dans les trous des extensions des supports de patte.



DEPANNAGE

Pour l'assistance avec votre outil, visiter notre site web à www.deltamachinery.com pour une liste de centres de maintenance ou appeler la ligne d'aide de Delta à 1-800-223-7278 (Canada: 1-800-463-3582).

ENTRETIEN

GARDER LA MACHINE PROPRE

Dégager régulièrement toutes les conduites d'air avec de l'air comprimé sec. Toutes les pièces en plastique doivent être nettoyées à l'aide d'un chiffon doux humide. NE JAMAIS utiliser de solvants pour nettoyer les pièces en plastique. Les solvants peuvent dissoudre ou endommager le matériel.

⚠ AVERTISSEMENT Porter des protections oculaire et auditive homologuées et utiliser un appareil respiratoire lors de l'utilisation d'air comprimé.

DÉMARRAGE IMPOSSIBLE

Si la machine ne démarre pas, s'assurer que les lames de la fiche du cordon d'alimentation sont bien enfoncées dans la prise de courant. Vérifier également que les fusibles ne sont pas grillés ou que le disjoncteur ne s'est pas déclenché.

LUBRIFICATION ET PROTECTION CONTRE LA ROUILLE

Appliquer chaque semaine une cire à parquets d'usage domestique sur la table de la machine, sur la rallonge de table ou toute autre surface de travail. Ou utiliser un produit protecteur commercial conçu à cet effet. Suivre les directives du fabricant pour l'utilisation et la sécurité. Pour nettoyer les tables en fonte contre la rouille, utiliser le matériel suivant : une feuille de papier à poncer Scotch-Brite™ medium, une boîte de WD-40® et une boîte de dégraissant. Appliquer le WD-40 et polir la surface de la table avec le papier à poncer Scotch-Brite. Dégraisser la table puis appliquer le produit protecteur comme décrit ci-dessus.

SERVICE

PIÈCES DE RECHANGE

Utiliser seulement des pièces de rechange identiques. Pour obtenir une liste des pièces de rechange ou pour en commander, consulter notre site Web au servicenet.deltamachinery.com. Commander aussi des pièces auprès d'une succursale d'usine ou composer le 1-800-223-7278 pour le service à la clientèle et recevoir ainsi une assistance personnalisée de techniciens bien formés.

ENTRETIEN ET RÉPARATION

Tous les outils de qualité finissent par demander un entretien ou un changement de pièce. Pour de plus amples renseignements à propos de Delta Machinery, ses succursales d'usine ou un centre de réparation sous garantie autorisé, consulter notre site Web au www.deltamachinery.com ou composer le 1-800-223-7278 pour le service à la clientèle. Toutes les réparations effectuées dans nos centres de réparation sont entièrement garanties contre les défauts de matériaux et de main-d'oeuvre. Nous ne pouvons garantir les réparations effectuées en partie ou totalement par d'autres.

Pour de plus amples renseignements par courrier, écrire à Delta Machinery, 4825 Highway 45 North, Jackson, Tennessee 38305, É.-U. – à l'attention de : Product Service. S'assurer d'indiquer toutes les informations figurant sur la plaque signalétique de l'outil (numéro du modèle, type, numéro de série, etc.).

ACCESSOIRES

Une ligne complète des accessoires est fournie des centres commerciaux d'usine de par votre de Porter-Cable•Delta fournisseur, de Porter-Cable•Delta, et des stations service autorisées par Porter-Cable. Veuillez visiter notre site Web www.deltamachinery.com pour un catalogue ou pour le nom de votre fournisseur plus proche.

⚠ AVERTISSEMENT Depuis des accessoires autre que ceux offerts par Porter-Cable•Delta n'ont pas été testés avec ce produit, utilisation de tels accessoires a pu être dangereux. Pour l'exploitation sûre, seulement Porter-Cable•Delta a recommandé des accessoires devrait être utilisé avec ce produit.

GARANTIE

Pour enregistrer votre outil pour la garantie service la visite notre site Web à www.deltamachinery.com.

Garantie limitée de deux ans

Delta réparera ou remplacera, à ses frais et à sa discrétion, toute nouvelle machine Delta, pièce de rechange ou tout accessoire qui, dans des circonstances d'utilisation normale, s'est avéré défectueux en raison de défauts de matériau ou de fabrication, à condition que le client retourne le produit (transport payé d'avance) au centre de réparation de l'usine Delta ou à un centre de réparation autorisé accompagné d'une preuve d'achat et dans les deux ans de la date d'achat du produit, et fournisse à Delta une opportunité raisonnable de vérifier le défaut présumé par une inspection. La période de garantie des produits Delta réusinés est de 180 jours. Delta peut demander que les moteurs électriques soient retournés (transport payé d'avance) à un centre de réparation autorisé du fabricant du moteur en vue d'une inspection, d'une réparation ou d'un remplacement. Delta ne peut être tenu pour responsable des défauts résultants de l'usage normale, de la mauvaise utilisation, de l'abus, de la réparation ou de la modification du produit, sauf en cas d'autorisation spécifique d'un centre de réparation ou d'un représentant Delta autorisé. En aucune circonstance Delta ne peut être tenu pour responsable des dommages accidentels ou indirects résultant d'un produit défectueux. Cette garantie constitue la seule garantie de Delta et le recours exclusif des clients en ce qui concerne les produits défectueux ; toutes les autres garanties, expresses ou implicites, de qualité marchande, d'adéquation à un usage particulier, ou autre, sont expressément déclinées par Delta.

INSTRUCCIONES DE SEGURIDAD IMPORTANTES

⚠ ADVERTENCIA Lea y entienda todas advertencias y las instrucciones operadoras antes de utilizar cualquier instrumento o el equipo. Cuando se usa instrumentos o equipo, las precauciones básicas de la seguridad siempre se deben seguir para reducir el riesgo de la herida personal. La operación impropia, la conservación o la modificación de instrumentos o equipo podrían tener como resultado el daño grave de la herida y la propiedad. Hay ciertas aplicaciones para que equipas con herramienta y el equipo se diseña. La Delta Machinery recomienda totalmente que este producto no sea modificado y/o utilizado para ninguna aplicación de otra manera que para que se diseñó.

Si usted tiene cualquiera pregunta el pariente a su aplicación no utiliza el producto hasta que usted haya escrito Delta Machinery y nosotros lo hemos aconsejado.

La forma en línea del contacto en www.deltamachinery.com

El Correo Postal: Technical Service Manager
Delta Machinery
4825 Highway 45 North
Jackson, TN 38305

(IN CANADA: 125 Mural St. Suite 300, Richmond Hill, ON, L4B 1M4)

Información con respecto a la operación segura y apropiada de este instrumento está disponible de las fuentes siguientes:

Power Tool Institute
1300 Sumner Avenue, Cleveland, OH 44115-2851
www.powertoolinstitute.org

National Safety Council
1121 Spring Lake Drive, Itasca, IL 60143-3201

American National Standards Institute, 25 West 43rd Street, 4 floor, New York, NY 10036 www.ansi.org

ANSI O1.1 Safety Requirements for Woodworking Machines, and the U.S. Department of Labor regulations www.osha.gov

GUARDE ESTAS INSTRUCCIONES!

PAUTAS DE SEGURIDAD/DEFINICIONES

Es importante para usted leer y entender este manual. La información que lo contiene relaciona a proteger SU SEGURIDAD y PREVENIR los PROBLEMAS. Los símbolos debajo de son utilizados para ayudarlo a reconocer esta información.

⚠ PELIGRO: Indica una situación de inminente riesgo, la cual, si no es evitada, causará la muerte o lesiones serias.

⚠ ADVERTENCIA: Indica una situación potencialmente riesgosa, que si no es evitada, podría resultar en la muerte o lesiones serias.

⚠ PRECAUCIÓN: Indica una situación potencialmente peligrosa, la cual, si no es evitada, podría resultar en lesiones menores o mode-radas.

PRECAUCIÓN: Usado sin el símbolo de seguridad de alerta indica una situación potencialmente riesgosa la que, si no es evitada, podría causar daños en la propiedad.

PROPOSICIÓN DE CALIFORNIA 65

⚠ ADVERTENCIA Algunos tipos de aserrín creados por máquinas eléctricas de lijado, aserrado, amolado, perforado u otras actividades de la construcción, contienen materiales químicos conocidos (en el Estado de California) como causantes de cáncer, defectos de nacimiento u otros daños del aparato reproductivo. Algunos ejemplos de dichos productos químicos son:

- El plomo contenido en algunas pinturas con base de plomo
- Sílice cristalizado proveniente de los ladrillos, el cemento y otros productos de albañilería
- Arsénico y cromo de madera tratada químicamente

Su riesgo por causa de estas exposiciones varía, dependiendo de con cuánta frecuencia realice este tipo de trabajo. Para reducir su exposición a estos agentes químicos: trabaje en un área bien ventilada y trabaje con equipo de seguridad aprobado, use siempre protección facial o respirador **NIOSH/OSHA** aprobados cuando deba utilizar dichas herramientas.

ETIQUETAS DE ADVERTENCIA DE LA HERRAMIENTA

Antes de utilizar la herramienta, lea las etiquetas de advertencia provistas con la sierra. Lea también las etiquetas de advertencia que vienen con la guía instalada con la sierra. Si las etiquetas de advertencia detalladas a continuación son ilegibles o no vienen con la sierra, comuníquese con la oficina de atención al cliente de Delta para obtenerlas gratuitamente. (Para comunicarse, lea la información incluida en la sección "Mantenimiento" de este manual).

⚠ WARNING	⚠ ADVERTENCIA	⚠ AVERTISSEMENT
<p>FOR YOUR OWN SAFETY</p> <ol style="list-style-type: none"> 1. READ AND UNDERSTAND INSTRUCTION MANUAL BEFORE OPERATING TABLE SAW. 2. Always wear eye protection. 3. Always use blade guard and splitter for every operation for which it can be used, including all through sawing. 4. Keep hands out of path of the line of the saw blade. 5. Use push stick when required. 6. Do not perform any operation free hand. Use fence when ripping and miter gauge when cross-cutting. Never use the miter gauge and rip fences together. 7. Know how to avoid risk of kickback. 8. Never reach in back of or over saw blade. 9. Do not remove jammed or cut-off pieces until blade has stopped. 10. Disconnect machine from power source before making repairs or adjustments. 11. Do not expose to rain or use in damp locations. 12. When using this tool, do not wear gloves, neckties, jewelry or loose clothing. 13. Wear protective hair covering to contain long hair. 14. Tighten the blade arbor nut securely before operating. 15. Do not use the machine when you are tired, or under the influence of drugs, alcohol, or medication. 16. Do not operate saw with the foot lever caster in the down position. 17. Failure to follow these safety rules may result in serious personal injury. 	<p>PARA SU PROPIA SEGURIDAD</p> <ol style="list-style-type: none"> 1. LEA Y COMPRENDA EL MANUAL DE INSTRUCCIONES ANTES DE UTILIZAR LA SIERRA DE MESA. 2. Siempre utilice protección para los ojos. 3. Utilice siempre el ensamblaje del protector de la hoja y el hendedor para cualquier operación en la que se pueda utilizar, incluidos todos los cortes con sierra. 4. Mantenga las manos alejadas del trayecto de la hoja de la sierra. 5. Utilice la vara para empujar cuando sea necesario. 6. No realice ninguna operación sin usar las manos. Use la guía de corte conjuntamente. 7. Sepa cómo evitar el riesgo de retroceso. 8. Nunca se extienda para alcanzar algo detrás sobre la hoja de la sierra. 9. No retire piezas atascadas o cortadas hasta que la hoja se haya detenido. 10. Desconecte la máquina de la fuente de energía antes de realizar reparaciones o ajustes. 11. No exponga a la lluvia ni utilice en lugares húmedos. 12. No utilice guantes, corbatas alhajas ni ropa holgada cuando use esta herramienta. 13. Si tiene el cabello largo, recójalo y cúbralo. 14. Ajuste bien la tuerca de eje de la hoja antes de operar la unidad. 15. No utilice la máquina si está cansado, o bajo el efecto de drogas, alcohol o medicamentos. 16. No opere la sierra cuando la rueda de la pato niveladora esté en la posición hacia abajo. 17. El incumplimiento de estas normas de seguridad puede provocar daños personales graves. 	<p>POUR VOTRE PROPRE SÉCURITÉ</p> <ol style="list-style-type: none"> 1. BIEN LIRE ET COMPRENDRE LE MODE D'EMPLOI AVANT D'UTILISER LE BANC DE SCIE. 2. Toujours porter une protection oculaire. 3. Toujours utiliser un pare-main et un coupeau séparateur pour toutes les opérations demandant son utilisation, y compris tout débitage complet. 4. Garder les mains hors de la trajectoire de la lame de la scie. 5. Utiliser un poussoir au besoin. 6. Effectuer toute opération en tenant l'outil des deux mains. Utiliser le guide longitudinal pour le sciage en long et la jauge à onglet pour le tronçonnage. Ne jamais utiliser la jauge à onglet et le guide longitudinal en même temps. 7. Connaître les techniques pour empêcher le risque associé à l'effet de rebond. 8. Ne jamais passer les mains à l'arrière ou au-dessus de la lame de la scie. 9. Ne pas retirer les pièces coincées ou coincées avant l'arrêt complet de la lame. 10. Débrancher la machine de la source d'alimentation avant d'effectuer des réparations ou des réglages. 11. Ne pas exposer la scie à la pluie et ne pas l'utiliser dans un endroit humide. 12. Lors de l'utilisation de cet outil, ne pas porter ni gant, ni cravates, ni bijoux ou vêtements amples. 13. Se couvrir les cheveux s'ils sont longs. 14. Serrer solidement l'écrou d'axe de la lame avant de l'utiliser. 15. Ne pas utiliser la machine en cas de fatigue ou sous l'influence de drogues, d'alcool ou de médicaments. 16. Ne pas utiliser la scie avec la commande à pieds des nivelles en position bas. 17. Négliger de suivre tous ces règles de sécurité peut entraîner.

⚠ WARNING	⚠ ADVERTENCIA	⚠ AVERTISSEMENT
<p>TO PREVENT KICKBACK, USE THE BLADE GUARD AND SPLITTER FOR ALL THROUGH SAWING. KEEP HANDS OUT OF THE LINE OF THE SAWBLADE. USE A PUSHSTICK AND FEATHERBOARDS WHEN REQUIRED.</p>	<p>PARA PREVENIR EL RETROCESO, UTILICE EL PROTECTOR DE LA HOJA Y EL HENDEADOR PARA TODOS LOS CORTES CON SIERRA. MANTENGA LAS MANOS ALEJADAS DEL TRAYECTO DE LA HOJA DE LA SIERRA. UTILICE LA VARA PARA EMPUJAR Y TABLAS DE CANTO BISELADO CUANDO SEA NECESARIO.</p>	<p>POUR EMPÊCHER TOUT EFFET DE REBOND, UTILISER LE PARE-MAIN ET LE COUPEAU SÉPARATEUR POUR TOUT DÉBITAGE COMPLET. GARDER LES MAINS HORS DE LA TRAJECTOIRE DE LA LAME DE LA SCIE. UTILISER UN POUSSOIR ET DES PLANCHES EN ÉVENTAIL AU BESOIN.</p>

NORMAS GENERALES DE SEGURIDAD

⚠ ADVERTENCIA Si no se siguen estas normas, el resultado podría ser lesiones graves.

- 1. PARA SU PROPIA SEGURIDAD, LEA EL MANUAL DE INSTRUCCIONES ANTES DE UTILIZAR LA MÁQUINA.** Al aprender la aplicación, las limitaciones y los peligros específicos de la máquina, se minimizará enormemente la posibilidad de accidentes y lesiones.
- 2. USE PROTECCIÓN DE LOS OJOS Y DE LA AUDICIÓN. USE SIEMPRE ANTEOJOS DE SEGURIDAD.** Los lentes de uso diario NO son anteojos de seguridad. USE EQUIPO DE SEGURIDAD CERTIFICADO. El equipo de protección de los ojos debe cumplir con las normas ANSI Z87.1. El equipo de protección de la audición debe cumplir con las normas ANSI S3.19.
- 3. USE INDUMENTARIA ADECUADA.** No use ropa holgada, guantes, corbatas, anillos, pulseras u otras joyas que podrían engancharse en las piezas móviles. Se recomienda usar calzado antideslizante. Use una cubierta protectora del pelo para sujetar el pelo largo.
- 4. NO UTILICE LA MÁQUINA EN UN ENTORNO PELIGROSO.** La utilización de herramientas mecánicas en lugares húmedos o mojados, o en la lluvia, puede causar descargas eléctricas o electrocución. Mantenga bien iluminada el área de trabajo para evitar tropezar o poner en peligro los brazos, las manos y los dedos.
- 5. MANTENGA TODAS LAS HERRAMIENTAS Y MÁQUINAS EN CONDICIONES ÓPTIMAS.** Mantenga las herramientas afiladas y limpias para lograr el mejor y más seguro rendimiento. Siga las instrucciones de lubricación y cambio de accesorios. Las herramientas y las máquinas mal mantenidas pueden dañar más la herramienta o la máquina y/o causar lesiones.
- 6. COMPRUEBE SI HAY PIEZAS DAÑADAS.** Antes de utilizar la máquina, compruebe si hay piezas dañadas. Compruebe la alineación de las piezas móviles, si las piezas móviles se atascan, si hay piezas rotas y toda otra situación que podría afectar su funcionamiento. Un protector o cualquier otra pieza que presente daños debe repararse o reemplazarse apropiadamente. Las piezas dañadas pueden causar daños adicionales a la máquina y/o lesiones.
- 7. MANTENGA LIMPIA EL ÁREA DE TRABAJO.** Las áreas y los bancos desordenados invitan a que se produzcan accidentes.
- 8. MANTENGA ALEJADOS A LOS NIÑOS Y A LOS VISITANTES.** El taller es un entorno potencialmente peligroso. Los niños y los visitantes pueden sufrir lesiones.
- 9. REDUZCA EL RIESGO DE UN ARRANQUE NO INTENCIONADO.** Asegúrese de que el interruptor esté en la posición de apagado antes de enchufar el cable de alimentación. En caso de un apagón, mueva el interruptor a la posición de apagado. Un arranque accidental podría causar lesiones.
- 10. UTILICE LOS PROTECTORES.** Asegúrese de que todos los protectores estén colocados en su sitio, sujetos firmemente y funcionando correctamente para prevenir lesiones.
- 11. QUITÉ LAS LLAVES DE AJUSTE Y DE TUERCA ANTES DE ARRANCAR LA MÁQUINA.** Las herramientas, los pedazos de desecho y otros residuos pueden salir despedidos a alta velocidad, causando lesiones.
- 12. UTILICE LA MÁQUINA ADECUADA.** No fuerce una máquina o un aditamento a hacer un trabajo para el que no se diseñó. El resultado podría ser daños a la máquina y/o lesiones.
- 13. UTILICE ACCESORIOS RECOMENDADOS.** La utilización de accesorios y aditamentos no recomendados por Delta podría causar daños a la máquina o lesiones al usuario.
- 14. UTILICE EL CORDÓN DE EXTENSIÓN ADECUADO.** Asegúrese de que el cordón de extensión esté en buenas condiciones. Cuando utilice un cordón de extensión, asegúrese de utilizar un cordón que sea lo suficientemente pesado como para llevar la corriente que su producto tome.

Un cordón de tamaño insuficiente causará una caída de la tensión de la línea, lo cual producirá una pérdida de potencia y recalentamiento. Consulte el Cuadro de cordones de extensión para obtener el tamaño correcto dependiendo de la longitud del cordón y la capacidad nominal en amperios indicada en la placa de especificaciones. En caso de duda, utilice el próximo calibre más grueso. Cuanto más pequeño sea el número de calibre, más pesado será el cordón.
- 15. SUJETE FIRMEMENTE LA PIEZA DE TRABAJO.** Utilice las abrazaderas o el tornillo cuando usted no puede asegurar el objeto en la tabla y contra la cerca a mano o cuando su mano estará peligroso cerca de la lámina (dentro de 6").
- 16. HAGA AVANZAR LA PIEZA DE TRABAJO CONTRA EL SENTIDO DE ROTACIÓN DE LA HOJA, EL CORTADOR O LA SUPERFICIE ABRASIVA.** Si la hace avanzar desde el otro sentido, el resultado será que la pieza de trabajo salga despedida a alta velocidad.
- 17. NO FUERCE LA PIEZA DE TRABAJO SOBRE LA MÁQUINA.** El resultado podría ser daños a la máquina y/o lesiones.
- 18. NO INTENTE ALCANZAR DEMASIADO LEJOS.** Una pérdida del equilibrio puede hacerle caer en una máquina en funcionamiento, causándole lesiones.
- 19. NO SE SUBA NUNCA A LA MÁQUINA.** Se podrían producir lesiones si la herramienta se inclina o si usted hace contacto accidentalmente con la herramienta de corte.
- 20. NO DEJE NUNCA DESATENDIDA LA MÁQUINA CUANDO ESTÉ EN MARCHA. APÁGUELA.** No deje la máquina hasta que ésta se detenga por completo. Un niño o un visitante podría resultar lesionado.
- 21. APAGUE LA MÁQUINA Y DESCONÉCTELA DE LA FUENTE DE ALIMENTACIÓN** antes de instalar o quitar accesorios, antes de ajustar o cambiar configuraciones o al realizar reparaciones. Un arranque accidental puede causar lesiones.
- 22. HAGA SU TALLER A PRUEBA DE NIÑOS CON CANDADOS E INTERRUPTORES MAESTROS O QUITANDO LAS LLAVES DE ARRANQUE.** El arranque accidental de una máquina por un niño o un visitante podría causar lesiones.
- 23. MANTÉNGASE ALERTA, FÍJESE EN LO QUE ESTÁ HACIENDO Y USE EL SENTIDO COMÚN. NO UTILICE LA MÁQUINA CUANDO ESTÉ CANSADO O BAJO LA INFLUENCIA DE DROGAS, ALCOHOL O MEDICAMENTOS.** Un momento de distracción mientras se estén utilizando herramientas mecánicas podría causar lesiones.
- 24. ⚠ ADVERTENCIA EL USO DE ESTA HERRAMIENTA PUEDE GENERAR Y DISPERSAR POLVO U OTRAS PARTÍCULAS SUSPENDIDAS EN EL AIRE, INCLUYENDO POLVO DE MADERA, POLVO DE SÍLICE CRISTALINA Y POLVO DE ASBESTO.** Dirija las partículas de modo que se alejen de la cara y del cuerpo. Utilice siempre la herramienta en un área bien ventilada y proporcione un medio apropiado de remoción de polvo. Use un sistema de recolección de polvo en todos los lugares donde sea posible. La exposición al polvo puede causar lesiones respiratorias graves y permanentes u otras lesiones graves y permanentes, incluyendo silicosis (una enfermedad pulmonar grave), cáncer y muerte. Evite aspirar el polvo y evite el contacto prolongado con el polvo. Si se permite que el polvo entre en la boca o en los ojos, o que se deposite en la piel, se puede promover la absorción de material nocivo. Use siempre protección respiratoria aprobada por NIOSH/OSHA que se ajuste apropiadamente y sea adecuada para la exposición al polvo, y lávese las áreas expuestas con agua y jabón.

NORMAS ESPECÍFICAS ADICIONALES DE SEGURIDAD

⚠ ADVERTENCIA SI NO SE SIGUEN ESTAS NORMAS, EL RESULTADO PODRÍA SER LESIONES PERSONALES GRAVES.

- NO OPERE ESTA MÁQUINA** hasta que esté armada e instalada según las instrucciones.
- SOLICITE EL ASESORAMIENTO DE SU SUPERVISOR**, instructor o alguna persona calificada si no está familiarizado con el funcionamiento de esta máquina.
- SIGA TODOS LOS CÓDIGOS DE CABLEADO** y las conexiones eléctricas recomendadas.
- UTILICE LOS PROTECTORES, EL HENDEDOR Y LOS SEGUROS DE ANTIRETOCESO SIEMPRE** que sea posible, incluso al realizar los cortes con la sierra. Controle que estén bien colocados, sujetos y funcionando correctamente. Para probar el funcionamiento del seguro de antiretroceso antes de cortar, presione la madera debajo de los dientes de antiretroceso. Los dientes deben evitar que la madera salga despedida hacia el frente de la sierra.
- EL CORTE DE UNA PIEZA DE TRABAJO SIN UTILIZAR UNA GUÍA O CALIBRADOR DE INGLETE SE CONOCE COMO CORTE "A PULSO". NUNCA** realice operaciones "a pulso". Use una guía o calibrador de inglete para guiar y ubicar la pieza de trabajo en la posición correcta.
- SOSTENGA LA PIEZA** de trabajo firmemente contra la guía o calibrador de inglete.
- EL CORTE COMPLETO A TRAVÉS DE LA PIEZA DE TRABAJO SE CONOCE COMO "CORTE CON SIERRA".** El corte longitudinal y el transversal son operaciones de corte con sierra. El corte que sigue la veta de la madera es un corte longitudinal. Utilice una guía o sistema de guía para el corte longitudinal. NUNCA utilice un calibre ingletador para los cortes longitudinales. Use empujadores para el corte longitudinal de una pieza de trabajo angosta. El corte que cruza la veta de la madera es un corte transversal. Nunca use una guía o sistema de guía para el corte transversal. En su lugar, utilice un calibrador de inglete.
- EL RETROCESO ES LA TENDENCIA NATURAL DE LA PIEZA DE TRABAJO DE SALIR DESPEDIDA HACIA ATRÁS EN DIRECCIÓN AL OPERADOR** en el momento del contacto inicial con la hoja o si la muerde. El retroceso es peligroso y puede provocar lesiones graves.
EVITE EL RETROCESO de la siguiente forma:
 - mantenga la hoja afilada, y libre de óxido y grumos de resina.
 - controle que la guía de corte quede paralela a la hoja de la sierra.
 - utilice el protector de la hoja de la sierra y el hendedor para todas las operaciones que sea posible, incluidos todos los cortes con sierra.
 - mantenga el hendedor alineado con la hoja de la sierra.
 - mantenga los seguros de antiretroceso afilados y en su lugar.
 - empuje la pieza de trabajo hasta que pase la hoja de la sierra, antes de soltarla.
 - nunca realice un corte longitudinal en una pieza de trabajo que esté torcida o deformada o sin un borde recto que sirva de guía.
 - use tablas de canto biselado cuando no se pueda utilizar el dispositivo de antiretroceso o la guarda y el hendedor.
 - nunca corte una pieza de trabajo grande que no pueda controlar.
 - nunca utilice la guía cuando realice un corte transversal.
 - nunca corte una pieza de trabajo que tenga nudos sueltos, defectos, clavos u otros objetos extraños.
 - nunca realice un corte longitudinal en una pieza de trabajo que mida menos de 254 mm (10").
- ⚠ ADVERTENCIA** **ALGUNOS MATERIALES SON DEMASIADO DUROS Y RESBALADIZOS COMO PARA QUE LOS SEGUROS ANTIRETOCESO SEAN EFECTIVOS.** La sierra puede cortar plástico y composiciones (como cartón madera), pero preste especial atención a los procedimientos de configuración y corte apropiados, para evitar el retroceso al cortar estos materiales.
- UTILICE LA HOJA DE SIERRA ADECUADA PARA LA OPERACIÓN QUE REALIZARÁ.** La hoja debe rotar hacia el frente de la sierra. Ajuste siempre la tuerca de eje de la hoja en forma segura. Antes de usar, inspeccione la hoja para detectar grietas o dientes faltantes. No utilice hojas dañadas.
- NO UTILICE DISCOS ABRASIVOS** en esta sierra.
- NO CORTE METAL CON ESTA SIERRA.**
- ELIMINE LAS PIEZAS CORTADAS Y LOS DESECHOS** de la mesa antes de encender la sierra. La vibración de la máquina puede llevarlos hacia la hoja de la sierra y luego despedirlos.
- LAS PIEZAS CORTADAS PUEDEN SALIR DESPEDIDAS HACIA ATRÁS CONTRA EL OPERADOR.** Para las piezas de corte grandes, utilice una vara para empujar la pieza hasta que pase la hoja y salga por la parte posterior de la mesa de la sierra. No se extienda por encima de la mesa de la sierra. Asegúrese de que las piezas pequeñas no entren en contacto con la hoja.
- NUNCA TRATE DE EXTRAER UNA HOJA DE LA SIERRA ATASCADA SIN APAGAR LA MÁQUINA PRIMERO.** Si una pieza de trabajo o de corte queda atrapada en el protector, apague la sierra y espere hasta que la hoja se detenga antes de levantar el protector y retirar la pieza.
- NUNCA ENCIENDA LA MÁQUINA** con la pieza de trabajo contra la hoja.
- NUNCA** coloque la pieza de trabajo entre la guía y un cabezal portacuchilla para moldura.
- MANTENGA LOS BRAZOS, LAS MANOS y LOS DEDOS** lejos de la hoja. Utilice una vara para empujar las piezas de trabajo pequeñas a través de la sierra. Una vara para empujar es una pequeña vara de madera, por lo general de confección casera, que se debe usar siempre que el tamaño o la forma de la pieza de trabajo lo obligue a poner sus manos a menos de 15 cm (6") de la hoja. Consulte "CONSTRUCCIÓN DE UNA VARA PARA EMPUJAR" al final de este manual para obtener orientación acerca de cómo hacer una.
- EVITE OPERACIONES COMPLICADAS Y POSICIONES DE LAS MANOS** donde un desliz repentino podría provocar que la mano se desplace hacia la hoja.
- NUNCA** se ubique de modo que alguna parte del cuerpo quede en la misma línea que el trayecto de la hoja de la sierra.
- NUNCA INTENTE ALCANZAR** objetos alrededor o por encima de la hoja de la sierra.
- APOYE ADECUADAMENTE LAS PIEZAS DE TRABAJO LARGAS (de 91 cm o más) O ANCHAS (91 cm o más).** Si instala mesas de extensión de más de 61 cm (24") de ancho con la sierra, atornille la base de la sierra al piso o use un soporte con balancín firme para evitar movimientos.
- EVITE QUE LA SIERRA SE MUEVA MIENTRAS LA USA.** Si ha instalado el juego de movilidad, baje el pedal de pie y nivele los pies para que la sierra no oscile, se mueva, deslice o incline. De ser necesario, asegure la base al piso.
- NUNCA REALICE TRABAJOS DE TRAZADO**, armado o instalación en la mesa o área de trabajo cuando la máquina está en funcionamiento.
- APAGUE LA MÁQUINA Y DESCONÉCTELA** de la fuente de alimentación antes de instalar o quitar los accesorios, de cambiar la hoja de la sierra, o de ajustar o cambiar las configuraciones. Asegure el interruptor en la posición de "APAGADO" (OFF) cuando realice reparaciones.
- LIMPIE LA MESA O ÁREA DE TRABAJO ANTES DE ABANDONARLA.** Bloquee el interruptor en la posición de "APAGADO" (OFF) para prevenir el uso no autorizado.
- ENCONTRARÁ INFORMACIÓN ADICIONAL DISPONIBLE ACERCA DE LA OPERACIÓN CORRECTA Y SEGURA DE HERRAMIENTAS ELÉCTRICAS (POR EJEMPLO:** un video de seguridad) en el Instituto de Herramientas Eléctricas (Power Tool Institute), 1300 Sumner Avenue, Cleveland, OH 44115-2851 (www.powertoolinstitute.com). Además, encontrará información disponible en el Consejo Nacional de Seguridad (National Safety Council), 1121 Spring Lake Drive, Itasca, IL 60143-3201. Remítase a los Requisitos de Seguridad 01.1 para las máquinas de carpintería del Instituto Estadounidense de Normas Nacionales (American National Standards Institute - ANSI) y a las Normas OSHA 1910.213 del Ministerio de Trabajo de los Estados Unidos.

GUARDE ESTAS INSTRUCCIONES. Refiérase a ellas con frecuencia y utilícelas para adiestrar a otros.

CONEXIONES A LA FUENTE DE ALIMENTACIÓN

Debe utilizarse un circuito eléctrico independiente para las máquinas. Este circuito debe tener alambre de no menos del No. 12 y debe estar protegido con un fusible de acción retardada de 20 A. Si se utiliza un cordón de extensión, utilice únicamente cordones de extensión de tres alambres que tengan enchufes de tipo de conexión a tierra con tres terminales y un receptáculo coincidente que acepte el enchufe de la máquina. Antes de conectar el máquina a la línea de alimentación, asegúrese de que el interruptor(s) esté en la posición de apagado y cerciórese de que la corriente eléctrica tenga las mismas características que las que estén indicadas en la máquina. Todas las conexiones a la línea de alimentación deben hacer buen contacto. El funcionamiento a bajo voltaje dañará el máquina.

⚠ PELIGRO No exponga la máquina a la lluvia ni la utilice en lugares húmedos.

ESPECIFICACIONES DEL MOTOR

La máquina está cableada para corriente alterna de 120/240 V, 60 Hz. Antes de conectar la máquina a la fuente de alimentación, asegúrese de que el interruptor esté en la posición de apagado.

INSTRUCCIONES DE CONEXIÓN A TIERRA

⚠ PELIGRO Esta máquina debe estar conectada a tierra mientras se esté utilizando, para proteger al operador contra las descargas eléctricas.

1. Todas las máquinas conectadas con cordón conectadas a tierra:

En caso de mal funcionamiento o avería, la conexión a tierra proporciona una ruta de resistencia mínima para la corriente eléctrica, con el fin de reducir el riesgo de descargas eléctricas. Esta máquina está equipada con un cordón eléctrico que tiene un conductor de conexión a tierra del equipo y un enchufe de conexión a tierra. El enchufe debe enchufarse en un tomacorriente coincidente que esté instalado y conectado a tierra adecuadamente, de acuerdo con todos los códigos y ordenanzas locales.

No modifique el enchufe suministrado. Si el enchufe no cabe en el tomacorriente, haga que un electricista calificado instale el tomacorriente apropiado.

La conexión inapropiada del conductor de conexión a tierra del equipo puede dar como resultado riesgo de descargas eléctricas. El conductor con aislamiento que tiene una superficie exterior de color verde con o sin franjas amarillas es el conductor de conexión a tierra del equipo. Si es necesario reparar o reemplazar el cordón eléctrico o el enchufe, no conecte el conductor de conexión a tierra del equipo a un terminal con corriente.

Consulte a un electricista competente o a personal de servicio calificado si no entiende completamente las instrucciones de conexión a tierra o si tiene dudas en cuanto a si la máquina está conectada a tierra apropiadamente.

Utilice únicamente cordones de extensión de tres alambres que tengan enchufes de tipo de conexión a tierra con tres terminales y receptáculos de tres conductores que acepten el enchufe de la máquina, tal como se muestra en la Fig. A.

Repáre o reemplace inmediatamente los cordones dañados o desgastados.

2. Máquinas conectadas con cordón conectadas a tierra diseñadas para utilizarse en un circuito de alimentación que tenga una capacidad nominal de menos de 150 V:

Si la máquina está diseñada para utilizarse en un circuito que tenga un tomacorriente parecido al que se ilustra en la Fig. A, la máquina tendrá un enchufe de conexión a tierra que se parece al enchufe ilustrado en la Fig. A. Puede utilizarse un adaptador temporal, que se parece al adaptador ilustrado en la Fig. B, para conectar este enchufe a un receptáculo coincidente de dos conductores, tal como se muestra en la Fig. B, si no se dispone de un tomacorriente conectado a tierra apropiadamente. El adaptador temporal debe utilizarse solamente hasta que un electricista calificado pueda instalar un tomacorriente conectado a tierra apropiadamente. La orejeta, lengüeta, etc., rígida de color verde que sobresale del adaptador debe conectarse a una toma de tierra permanente, como por ejemplo una caja tomacorriente conectada a tierra adecuadamente. Siempre que se utilice un adaptador, debe sujetarse en su sitio con un tornillo de metal.

NOTA: En Canadá, el uso de un adaptador temporal no está permitido por el Código Eléctrico Canadiense.

⚠ PELIGRO En todos los casos, asegúrese de que el receptáculo en cuestión esté conectado a tierra adecuadamente. Si no está seguro, haga que un electricista calificado compruebe el receptáculo.

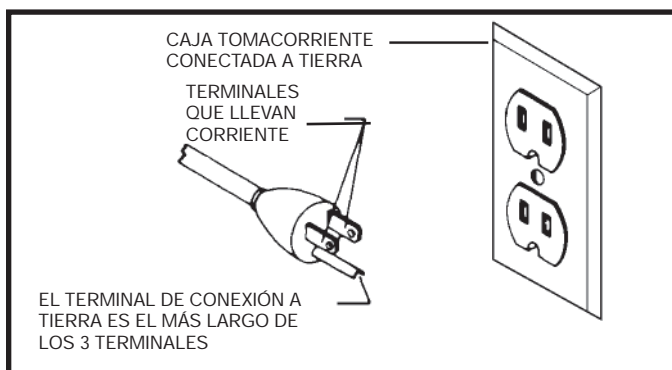


Fig. A

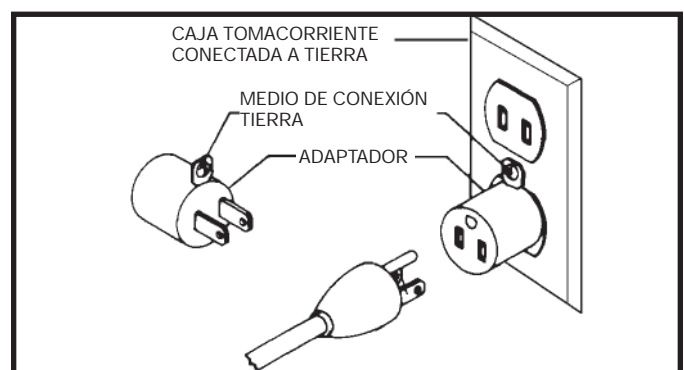


Fig. B

3. OPERACIÓN DE UNA SOLA FASE CON 240 VOLTIOS

El motor provisto con su máquina es de doble voltaje, es decir de 120/140 voltios. Viene listo para su funcionamiento en operaciones de 120 voltios. Sin embargo, se puede convertir para operaciones de 240 voltios.

La conversión debe ser realizada por un electricista calificado, o se puede llevar la máquina a un centro de mantenimiento autorizado Delta. Cuando esté completa esta conversión, la máquina debe cumplir con el Código Eléctrico Nacional, y con todos los códigos y ordenanzas locales.

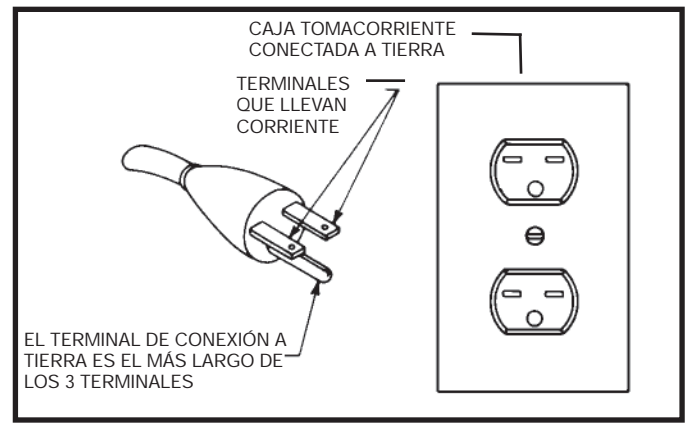


Fig. C

Para convertir la máquina, se realiza un nuevo cableado del motor para 240 voltios, luego se instala un enchufe para 240 voltios en el cable de la fuente de energía y se reemplaza el interruptor (si es necesario) por uno adecuado para operaciones de 240 voltios.

Asegúrese de que el enchufe de 240 voltios sólo se use en un tomacorriente que tenga la misma configuración que el enchufe ilustrado en la figura C. No se debe usar un adaptador con el enchufe de 240

⚠ PELIGRO En todos los casos, asegúrese de que el receptáculo en cuestión esté conectado a tierra adecuadamente. Si no está seguro, haga que un electricista calificado compruebe el receptáculo.

CORDONES DE EXTENSIÓN

⚠ ADVERTENCIA Utilice cordones de extensión apropiados. Asegúrese de que el cordón de extensión esté en buenas condiciones y de que sea un cordón de extensión de tres alambres que tenga un enchufe de tipo de conexión a tierra con tres terminales y un receptáculo coincidente que acepte el enchufe de la máquina. Cuando utilice un cordón de extensión, asegúrese de emplear un cordón que sea lo suficientemente pesado como para llevar la corriente de la máquina. Un cordón de tamaño insuficiente causará una caída de la tensión de la línea eléctrica que dará como resultado pérdida de potencia y recalentamiento. En la Fig. D1 o D2 se muestra el calibre correcto que debe utilizarse dependiendo de la longitud del cordón. En caso de duda, utilice el siguiente calibre más pesado. Cuanto más pequeño sea el número de calibre, más pesado será el cordón.

CORDÓN DE EXTENSIÓN DE CALIBRE MÍNIMO			
TAMAÑOS RECOMENDADOS PARA USO CON MÁQUINAS ELÉCTRICAS ESTACIONARIAS			
Capacidad Nominal En Amperios	Voltios	Longitud Total Del Cordon En Pies	Calibre Del Cordon De Extensión
0-6	120	Hasta 25	18 AWG
0-6	120	25-50	16 AWG
0-6	120	50-100	16 AWG
0-6	120	100-150	14 AWG
6-10	120	Hasta 25	18 AWG
6-10	120	25-50	16 AWG
6-10	120	50-100	14 AWG
6-10	120	100-150	12 AWG
10-12	120	Hasta 25	16 AWG
10-12	120	25-50	16 AWG
10-12	120	50-100	14 AWG
10-12	120	100-150	12 AWG
12-16	120	Hasta 25	14 AWG
12-16	120	25-50	12 AWG
12-16	120	GREATER THAN 50 FEET NOT RECOMMENDED	

Fig. D-1

CORDÓN DE EXTENSIÓN DE CALIBRE MÍNIMO			
TAMAÑOS RECOMENDADOS PARA USO CON MÁQUINAS ELÉCTRICAS ESTACIONARIAS			
Capacidad Nominal En Amperios	Voltios	Longitud Total Del Cordon En Pies	Calibre Del Cordon De Extensión
0-6	240	Hasta 50	18 AWG
0-6	240	50-100	16 AWG
0-6	240	100-200	16 AWG
0-6	240	200-300	14 AWG
6-10	240	Hasta 50	18 AWG
6-10	240	50-100	16 AWG
6-10	240	100-200	14 AWG
6-10	240	200-300	12 AWG
10-12	240	Hasta 50	16 AWG
10-12	240	50-100	16 AWG
10-12	240	100-200	14 AWG
10-12	240	200-300	12 AWG
12-16	240	Hasta 50	14 AWG
12-16	240	50-100	12 AWG
12-16	240	GREATER THAN 50 FEET NOT RECOMMENDED	

Fig. D-2

DESCRIPCIÓN FUNCIONAL

REENVIAR

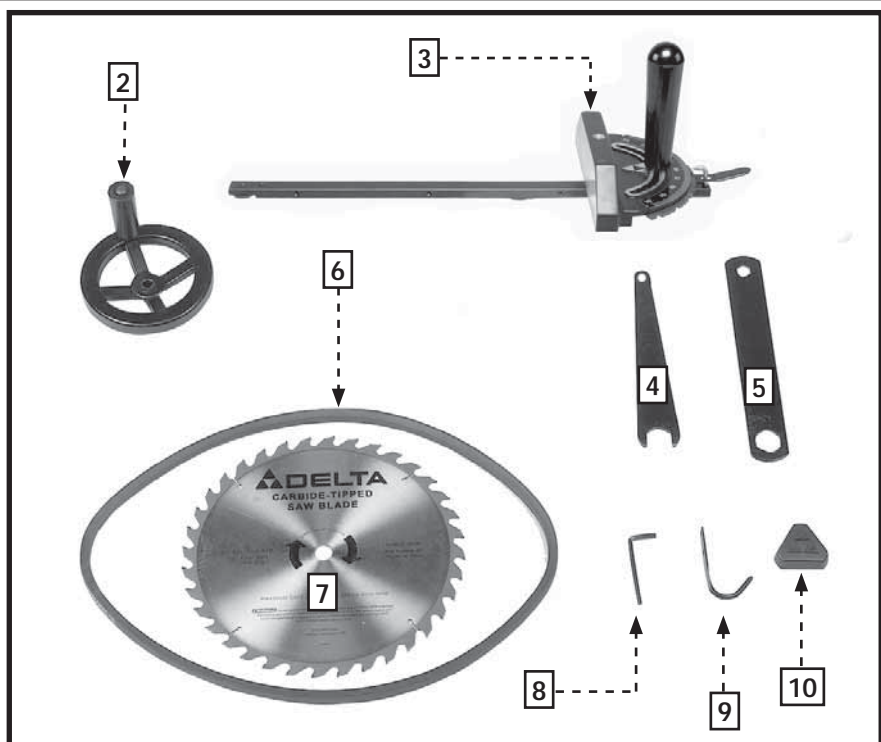
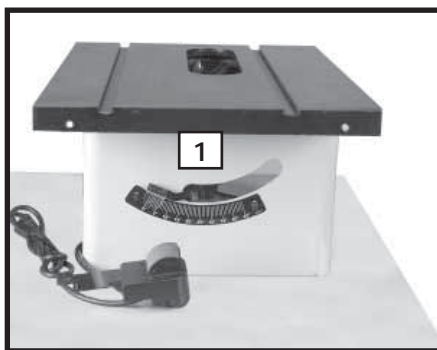
Los Modelos Delta 36-978 y 36-979 son sierras para contratistas de 25,4 cm (10") con una inclinación hacia la izquierda, que vienen con un juego de movilidad incorporado. Las sierras tienen un poderoso motor de inducción de 1 ½ HP que puede realizar los cortes más difíciles. La 36-978 viene con bases de metal y la 36-979 viene con bases de hierro fundido.

⚠ ADVERTENCIA Este producto no incluye unidad de guía de corte. Es necesario instalar y usar un sistema de corte para las operaciones de corte longitudinal.

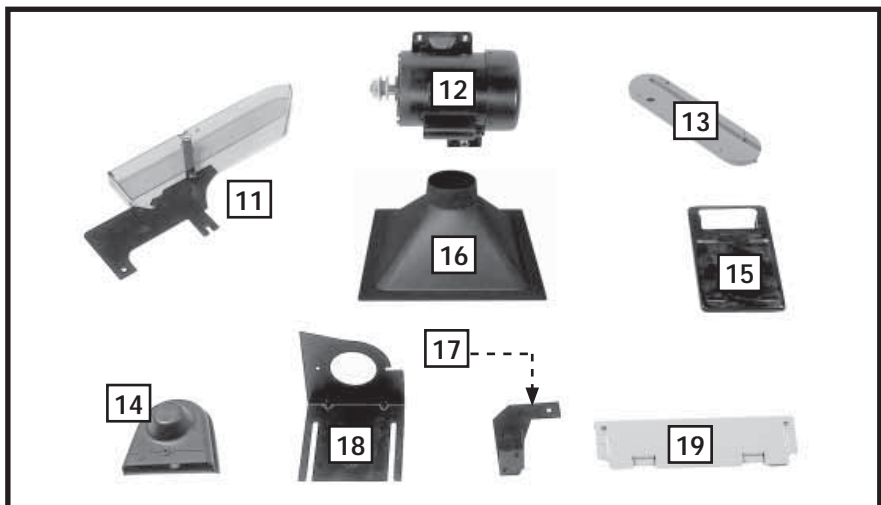
AVISO: La foto en la tapa del manual ilustra el modelo fabricado en la actualidad. Todas las demás ilustraciones que aparecen en el manual son solamente representativas y pueden mostrar etiquetas y accesorios diferentes a los reales. Estas ilustraciones tienen el único propósito de ilustrar el procedimiento.

CONTENIDO DE CARTON

LA MESA SIERRA LAS PARTES



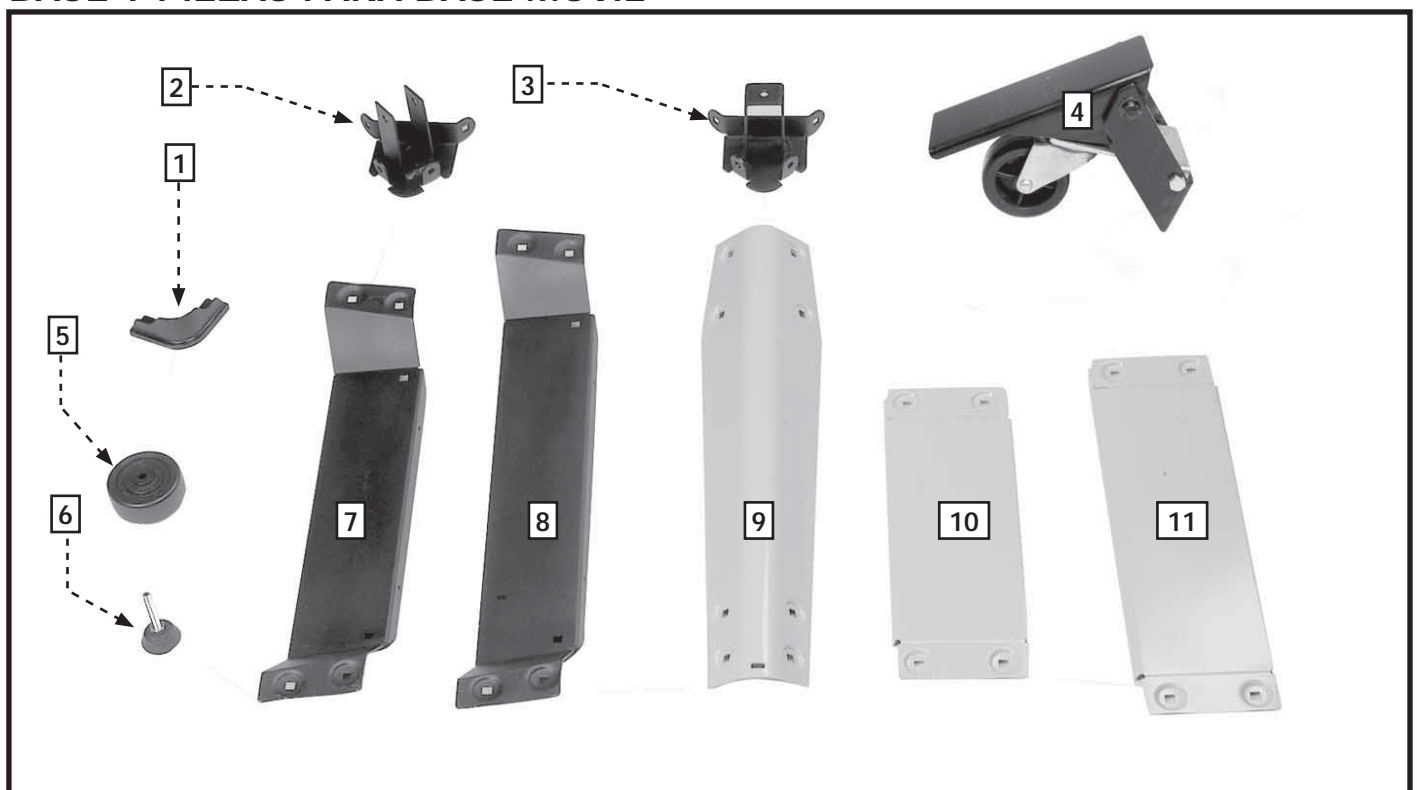
1. Sierra de banco
2. Volantes (2)
3. Calibrador de inglete
4. Llave abierta de 22 mm (7/8")
5. Llave cerrada de 22 mm (7/8") y 12,7 mm (½")
6. Correa impulsora
7. Hoja para sierra
8. Llave Hex de 4 mm
9. Gancho para llave
10. Perillas de bloqueo (2)
11. Ensamble de protector de hoja y hendedor
12. Motor
13. Inserto para mesat
14. Guardacorrea
15. Placa del motor
16. Adaptador para colector de polvo
17. Abrazadera para el hendedor
18. Placa de protector de polea
19. Refuerzo trasero



BASES DE EXTENSIÓN

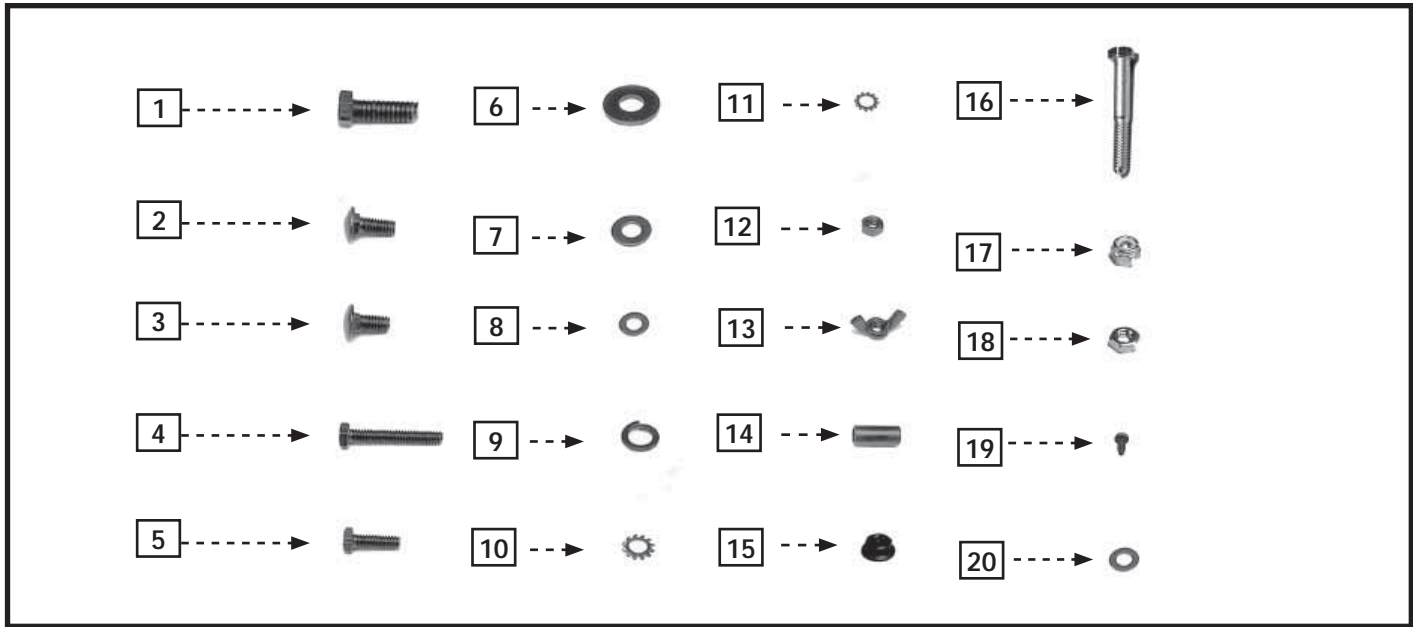


BASE Y PIEZAS PARA BASE MÓVIL



1. Pata de plástico (4)
2. Soporte para esquina (lado izquierdo) (2)
3. Soporte para esquina (lado derecho) (2)
4. Asamblea de ruedecilla
5. Disco (2)
6. Patas niveladoras (2)
7. Soporte corto para pata lateral (2)
8. Soporte largo para pata lateral (2)
9. Pata (4)
10. Paneles cortos para parte anterior y posterior (2)
11. Paneles largos laterales (2)

HARDWARE



- | | |
|---|---|
| 1. Tornillos de cabeza hexagonal de 11,11 mm (7/16)-20 x 1 1/4" (6) (para hierro fundido) | 10. Arandelas de bloqueo de diente externo de 7,93 mm (5/16") (4) |
| 2. Tornillos de cabeza de hongo de 7,93 mm (5/16)-18 x 19,05 mm (3/4") (12) | 11. Arandelas de bloqueo de diente externo de 6,35 mm (1/4") (1) |
| 3. Tornillos de cabeza de hongo de 7,93 mm (5/16)-18 x 5/8" (42) | 12. Tuerca hexagonal de 6,35 mm (1/4) -20 (1) |
| 4. Tornillo de cabeza hexagonal de 6,35 mm (1/4)-20 x 38,01 mm (1 1/2") (1) | 13. Tuerca mariposa de 6,35 mm (1/4) -20 (1) |
| 5. Tornillos de cabeza hexagonal de 6,35 mm (1/4)-20 x 19,05 mm (3/4") (2) | 14. Espaciador (1) |
| 6. Arandelas planas de 4,75 mm (7/16") (6) | 15. Tuercas hexagonales dentadas de 7,93 mm (5/16)-18 (57) |
| 7. Arandelas planas de 7,93 mm (5/16") (1) | 16. Tornillos de la tapa de cabeza hexagonal de 7,93 mm (5/16)-18 x 57,15 mm (2 1/4") (2) |
| 8. Arandelas planas de 6,35 mm (1/4") (3) | 17. Tuercas de nylon de 7,93 mm (5/16)-18 (2) |
| 9. Arandelas de bloqueo de 11,1 m (7/16") (6) | 18. Tuercas hexagonales de obstrucción de 7,93 mm (5/16)-18 (5) |
| | 19. Tornillo de Cabeza de cacerola M4 x 8mm |
| | 20. Arandelas planas de nylon de 10 mm |

DESEMPAQUETADO Y LIMPIEZA

Desembale cuidadosamente la máquina y todos los elementos sueltos del o los contenedores de envío. Retire el aceite anticorrosivo de las superficies sin pintura con un paño suave humedecido con alcohol mineral, solvente o alcohol desnaturalizado.

No use solventes volátiles como gasolina, nafta, acetona o solvente de barniz para limpiar la máquina.

⚠PRECAUCIÓN: Luego de limpiar, cubra las superficies sin pintura con cera en pasta de buena calidad que se utiliza para los pisos del hogar.

ENSAMBLAJE

HERRAMIENTAS DE ENSAMBLAJE REQUERIDAS

Llave abierta de 22,2 mm (7/8") (suministrada)

Llave cerrada de 22,2 mm (7/8") y 1,27 m (1/2") (suministrada)

Llave Allen de 4 mm (suministrada)

Llave Allen de 6,35 mm (1/4") (suministrada)

Llaves para enchufes o de boca, incluidas 10 mm, 12 mm, 18 mm, 12,7 mm (1/2 pulgada) y destornillador de Phillips (no suministradas)

ESTIMACIÓN DEL TIEMPO DE ENSAMBLAJE

La asamblea para esta máquina es más o menos 4-6 horas.

⚠ ADVERTENCIA: Para su propia seguridad, no conecte la maquina a la fuente de energia hast que la maquina haya sido ensamblada por completo y usted haya haya leido y entendido completamente el manual del propietario.

BASE DE MOVIL Y ASAMBLEA DE SOPORTE

Colocar la base en forma invertida al armarla para facilitar el montaje.

1. Inserte un tornillo de cabeza de hongo de 7,93 mm (5/16)-18 x 15,9 mm (5/8") (A) Fig. 1 en la pata (B) y luego en el orificio correspondiente en el panel (C) tal como se muestra en la Fig. 1.

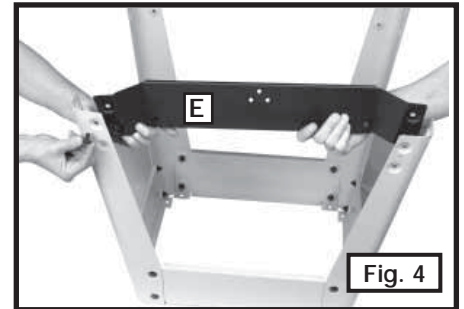
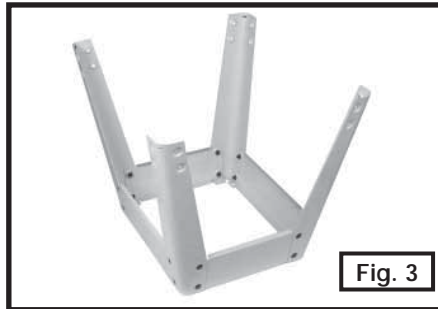
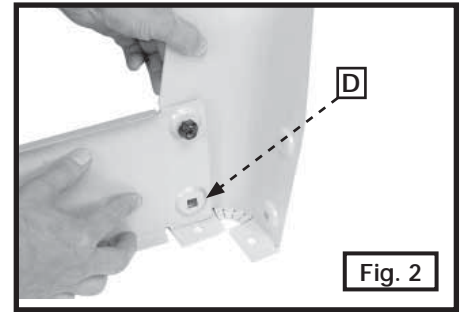
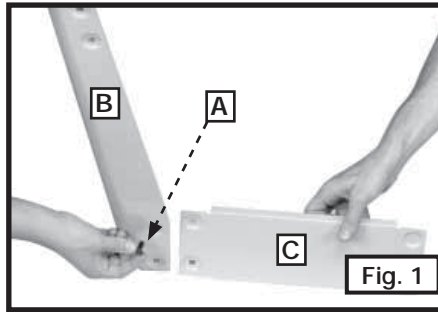
NOTA: Asegúrese de que los cuadrados del tornillo hexagonal estén alineados con los lados planos de la apertura del orificio.

2. Enrosque una tuerca hexagonal dentada 7,93 mm (5/16)-18 (D) alrededor del tornillo y ajuste el panel a la pata en forma manual, como muestra la Fig. 2. Asegúrese de que la parte dentada de la tuerca hexagonal quede contra el panel.

NOTA: Fije el equipo sin excesiva firmeza para un ajuste posterior.

3. La fig. 3 muestra las cuatro patas atornilladas a los paneles anteriores y laterales.

NOTA: Asegúrese de que los paneles cortos estén enfrentados a los paneles cortos y los paneles largos estén enfrentados a los paneles largos.



SOPORTES LARGOS Y CORTOS PARA LAS PATAS

4. Sujete los soportes largos y cortos para patas laterales (E) Fig. 4 a las patas usando tornillos de cabeza de hongo de 7,93 mm (5/16)-18 x 15,9 mm (5/8") y tuercas hexagonales dentadas de 8,45 mm (5/15)-18. Inserte el tornillo por la pata y luego por el soporte. **NOTA:** Asegúrese de que los orificios (J) Fig. 9 de todos los soportes laterales estén alineados como se observa después del montaje.

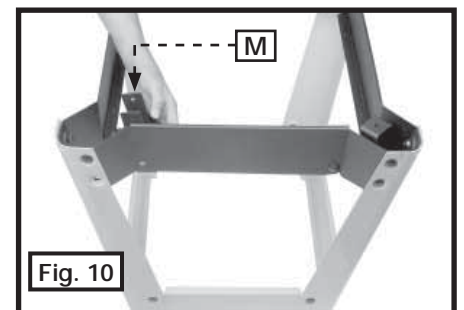
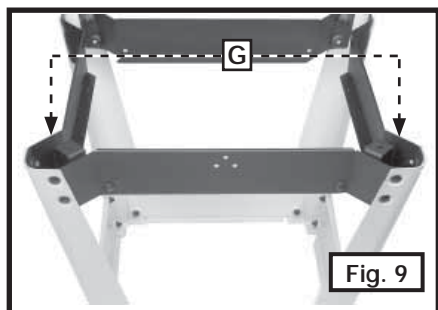
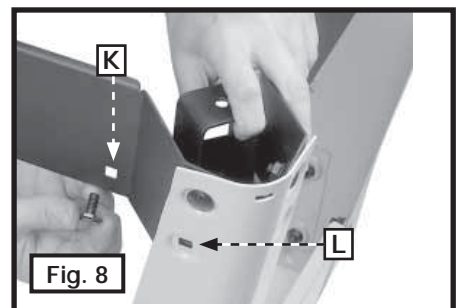
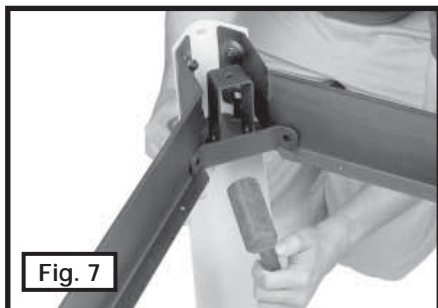
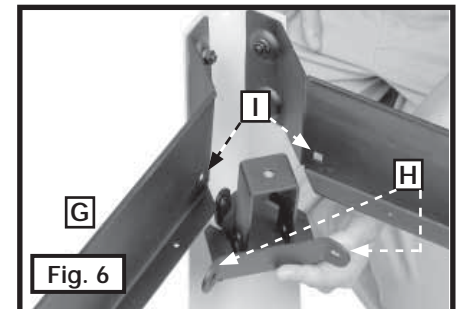
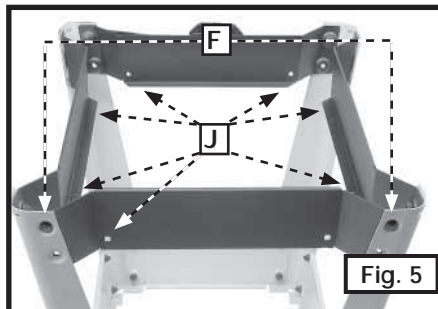
NOTA: Asegúrese de que los orificios (J), Fig. 5, de todos los soportes laterales estén alineados.

5. Enrosque la tuerca hexagonal en el perno y ajuste en forma manual solamente. Coloque ocho tornillos y ocho tuercas en los orificios, dos de ellos se muestran en (F), Fig. 5. Asegúrese de que estos orificios estén en el fondo (luego de que la sierra sea dada vuelta en posición vertical).

SOPORTES PARA ESQUINAS

6. Tome el soporte para esquina (G) Fig. 6 con borde cerrado y asegúrese de que los orificios (H) estén alineados con los orificios (I) en los soportes de las patas.

NOTA: Sujete los soportes con bordes cerrados al soporte largo para patas que tiene los tres orificios en el medio (Fig. 9). De ser necesario, use un martillo pequeño (o un martillo común y un bloque de madera) para golpear el soporte de esquina y alinear los orificios (Fig. 7).



7. Una vez que estén alineados, atornille el soporte para esquinas a la pata utilizando los tornillos de cabeza de hongo de 7,93 mm (5/16)-18 x 15,9 mm (5/8") y las tuercas hexagonales dentadas de 7,93 mm (5/16)-18. Inserte el tornillo por el soporte y luego el soporte de esquinas en (K) Fig. 8 Enrosque la tuerca hexagonal al tornillo y ajuste.
 8. Luego atornille la pata al soporte para esquinas utilizando los tornillos de cabeza de hongo de 7,93 mm (5/16)-18 x 19,05 mm (3/4") más largos y las tuercas hexagonales dentadas de 7,93 mm (5/16)-18 en dos orificios, uno de los cuales está en (L) Fig. 12.
 9. Repita la operación para el otro soporte para esquinas. Instale las patas niveladoras de goma en estos soportes (G) Fig. 13.
 10. Los soportes con el borde abierto, como se observa en (M) Fig. 10, deben ajustarse de manera similar a la detallada en los Pasos 6 a 9.
- NOTA:** Alinee el fin abierto como mostrado en Figs. 10 y 11 donde las ruedas serán instaladas más tarde.

PATAS NIVELADORAS

11. Enrosque una tuerca hexagonal de obstrucción de 7,93 mm (5/16)-18 en el pilar de una de las patas niveladoras. Inserte este montaje en el orificio del soporte para esquinas (Fig. 12). Coloque otra tuerca hexagonal de obstrucción de 7,93 mm (5/16)-18 en el tornillo y ajuste. Mueva las tuercas hexagonales hacia arriba o hacia abajo del pilar para ajustar la altura de la pata. Haga lo mismo para la otra pata niveladora.

RUEDAS

12. Coloque una rueda (N) Fig. 13 en un soporte de borde abierto (O). Inserte un tornillo de tapa de cabeza hexagonal de 7,93 mm (5/16)-18 x 57,15 (2 1/4") en el soporte y la rueda. Ajuste como se observa en la Fig. 13 con una tuerca de nylon de 7,93 mm (5/16)-18 (P).

AJUSTE DEL MONTAJE DE PATA NIVELADORA A LA BASE

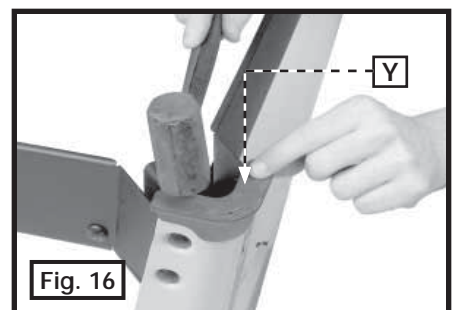
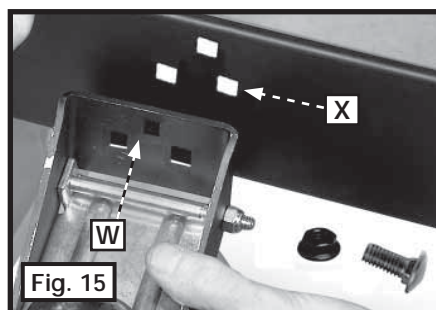
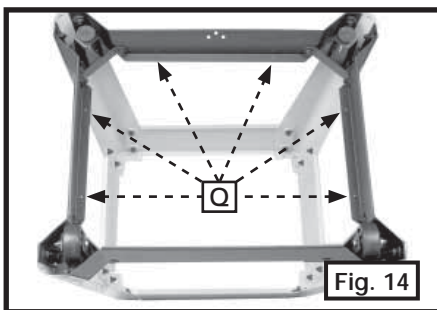
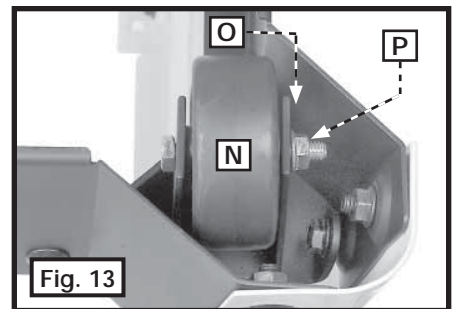
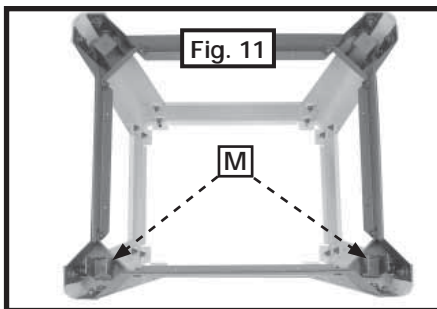
Alinee los tres orificios en la pata niveladora (W), Fig. 15, con los tres orificios en la base (X). Coloque un perno de soporte de 7/7,93 x 15,9 mm (5/16-18 x 5/8") a través de la palanca y la base. Asegure la palanca a la base con una tuerca dentada de 7/7,93 mm (5/16-18).

PATAS DE PLÁSTICO

Instale las patas de plástico (Y) Fig. 16. Fíjelas en su lugar con un martillo pequeño o con un martillo común y un bloque de madera.

ADICIÓN DE UN ESTANTE

Puede instalar un estante hecho con una pieza de madera contrachapada de 19,1 mm (3/4") que mida 568,96 mm x 488,95 mm (22 3/8" x 19 1/4"). Para instalarlo, atornille la madera a la pata a través de los (8) orificios en los soportes para las patas, seis se muestran en (Q) Fig. 14. Cuando la base esté hacia abajo (como en la Fig. 14), coloque el estante bajo los aleros de los soportes para patas. Cuando el estante esté en posición vertical, el estante quedaría sobre los aleros de los soportes para patas. Para instalar el estante, quite un panel lateral. Asegúrese de que este panel quede instalado nuevamente antes de usar la sierra. Consulte acerca de las medidas exactas del estante al final de este manual.



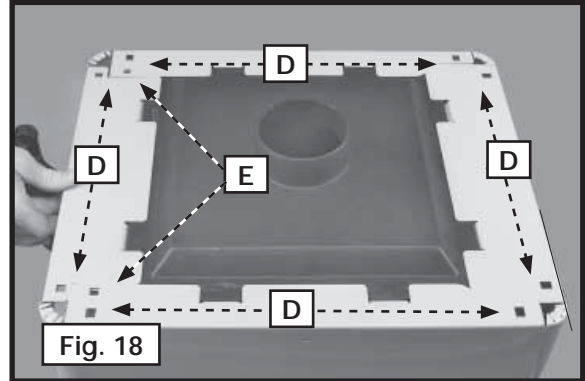
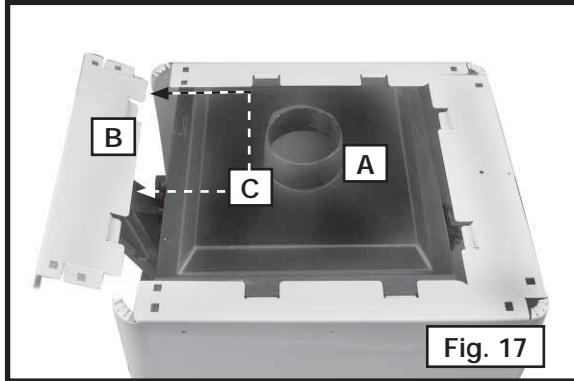
CONDUCTO DE POLVO Y REFUERZO TRASERO

⚠PRECAUCIÓN: No instale el conducto de polvo a menos que utilice un recolector de polvo.

Para instalar el conducto de polvo y el refuerzo trasero, invierta la unidad de la sierra sobre el piso, como se muestra en la Fig. 17.

⚠PRECAUCIÓN: Durante la instalación del conducto de polvo, proteja la superficie del banco de la sierra colocando una barrera protectora entre la sierra y el piso (cartón, alfombra, etc.).

Para instalar el conducto de polvo (A) Fig. 17, deslícelo hacia adentro como se muestra. Coloque el refuerzo trasero (B) con lengüetas (C) Fig. 17 bajo el borde del conducto como se muestra en la Fig. 17. Para ajustar el refuerzo trasero a la unidad de la sierra, coloque tornillos de cabeza de hongo de 7,93 mm (5/16)-18 x 15,9 mm (5/8") desde adentro del gabinete de la sierra a través de los orificios (E). Enrosque las tuercas hexagonales dentadas de 7,93 mm (5/16)-18 en los tornillos y ajuste bien.



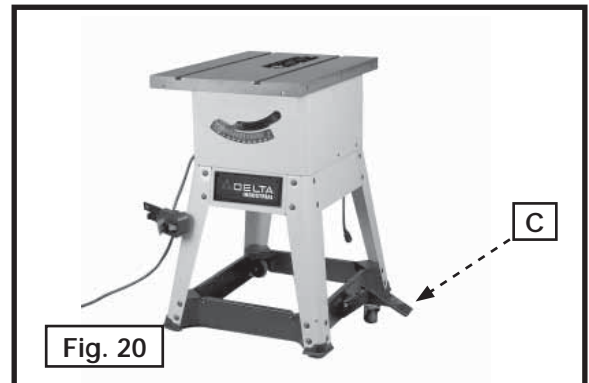
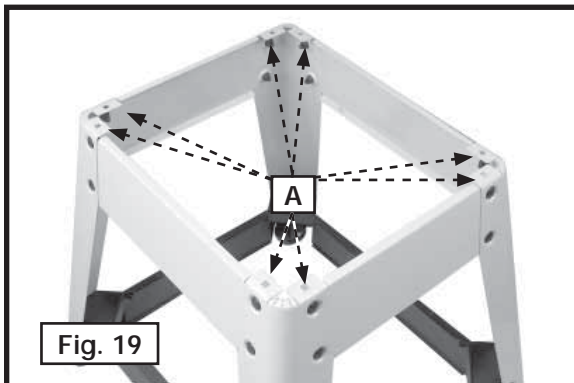
ACOPLAMIENTO DE LA BASE MÓVIL Y DE LA BASE A LA SIERRA

⚠PRECAUCIÓN: Para prevenir lesiones personales o daños a la máquina, siga estas instrucciones:

1. Mantenga la sierra invertida después de instalar el conducto de polvo y el refuerzo trasero, coloque la base móvil y el montaje de la base sobre la sierra invertida para alinear los ocho orificios en las patas (dos de los cuales se observan en (A) Fig. 19) con los ocho orificios (D) Fig. 18.

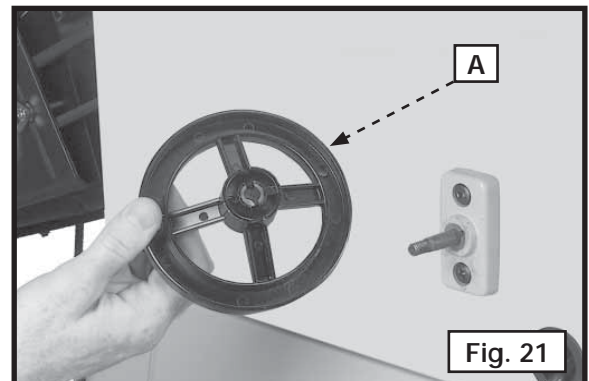
NOTA: Coloque el panel más corto con la placa Delta delante, al lado de la escala y el indicador.

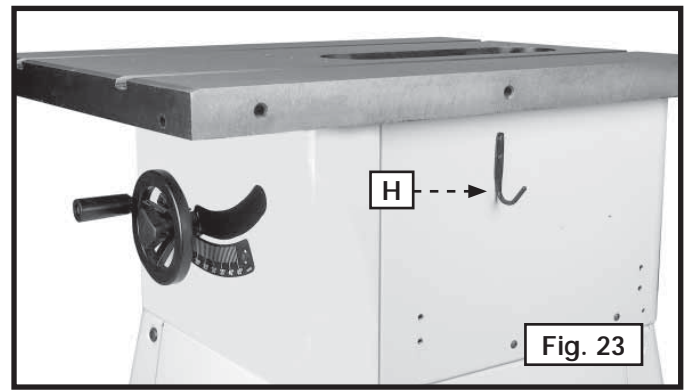
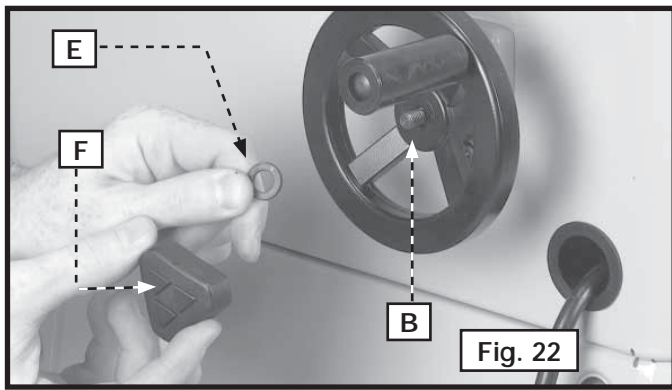
2. Desde el interior del gabinete, coloque un perno de cabeza de hongo 7,93 mm (5/16)-18 x 15,9 mm (5/8") en los orificios (D), Fig. 26, a través de las patas. Enrosque una tuerca hexagonal dentada de 7,93 mm (5/16)-18 en el perno. Ajuste bien. Repita el procedimiento para los ocho orificios.
3. **Con al menos dos personas**, sostenga la sierra de manera vertical, (Fig. 20).
4. Para verificar que la mesa esté nivelada, levante el pie de pedal (C), Fig. 20, para destrabar la base móvil. Use una nivelación de carpintero. Si la máquina no se nivela, ajuste las patas niveladoras tal como se describe en la sección "PATAS NIVELADORAS". Para que la sierra sea móvil, presione el pedal de pie.



VOLANTE PARA INCLINAR Y ELEVAR LA HOJA

1. Coloque el volante de inclinación de la hoja (A) Fig. 21, sobre el eje (B). Asegúrese de que la ranura (C) en el volante esté trabada con la clavija giratoria (D) en el eje.
2. Coloque una arandela de nylon de 10 mm (E) en el eje (B) y luego enrosque la perilla de bloqueo (F) en el eje.
3. Monte el volante para elevar la hoja (G) Fig. 22 al frente de la sierra de la misma manera.





GANCHO PARA LLAVE

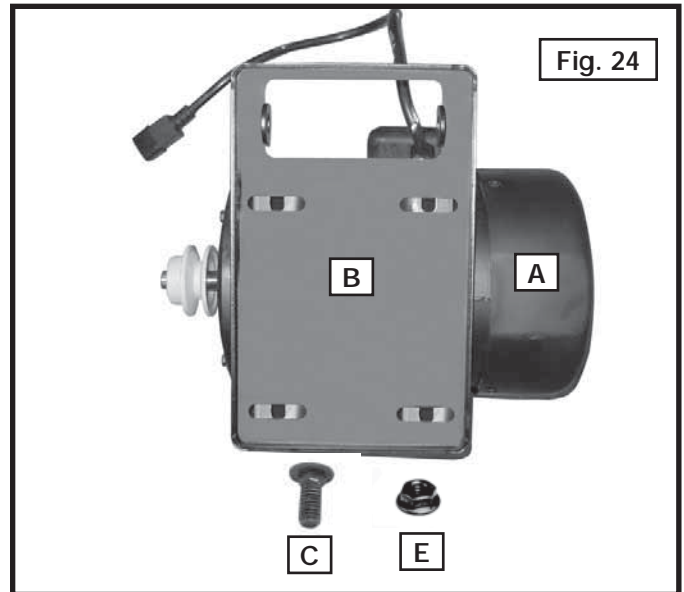
Se puede instalar un gancho (H) Fig. 23 para guardar las llaves de las hojas en dos orificios a los lados de la sierra, utilizando dos tornillos de cabeza troncocónica M4x8mm.

DEL MOTOR A LA PLACA DE MONTAJE DEL MOTOR

Acople el motor (A) a la placa de montaje del motor (B), Fig. 24.

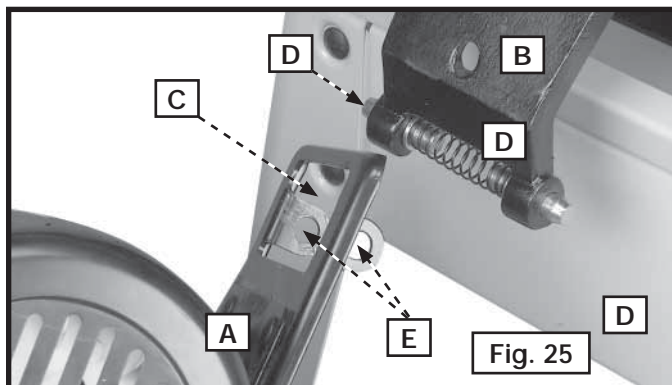
Alinee los cuatro orificios de montaje en el motor con los cuatro orificios en la placa de montaje. Inserte un perno de soporte (C) de 7/7,93 x 15,9 mm (5/16-18 x 5/8") a través del orificio en el motor y el orificio en la placa de montaje del motor. Ajuste con una tuerca dentada de 7/7,93 mm (5/16-18) (E). Repita este procedimiento para los tres orificios restantes en el motor y en la placa de montaje del motor.

NOTA: Ajuste las tuercas hexagonales levemente para un ajuste posterior.



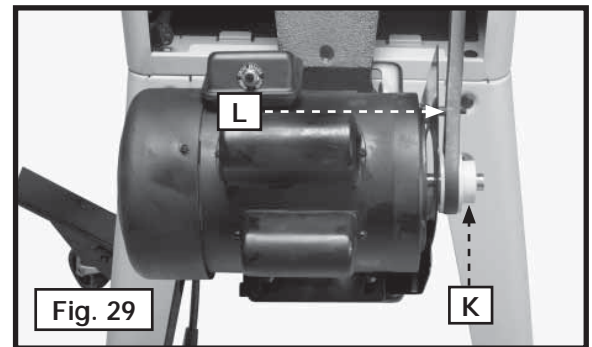
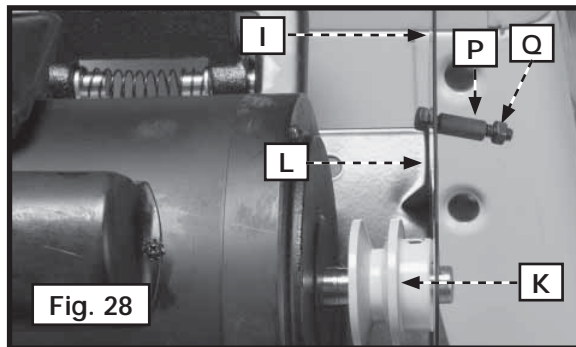
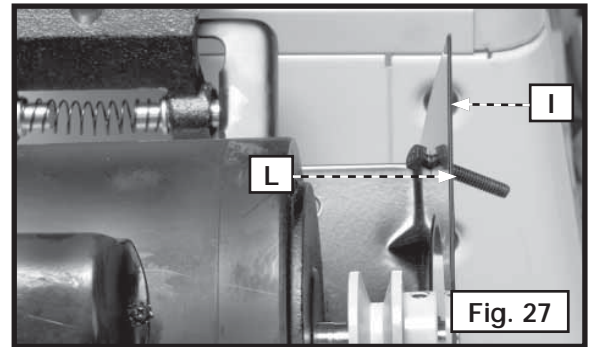
ACOPLAMIENTO DEL MOTOR Y LA PLACA DE MONTAJE DEL MOTOR A LA SIERRA.

1. Coloque el motor y la placa de montaje del motor (A) Fig. 25, debajo del soporte (B) para que el brazo del soporte pueda deslizarse a través de la abertura (C) en la placa de montaje del motor (A).
2. Oprima las clavijas, una de las cuales se muestra en (D), Fig. 25, a ambos lados del soporte (B). Eleve la placa de montaje del motor (A) hasta que las clavijas (D) queden trabadas en los orificios (E), Fig. 25, de la placa de montaje del motor (A).
3. El motor y la placa de montaje del motor se muestran ensamblados en la parte trasera de la sierra en la Fig. 26.

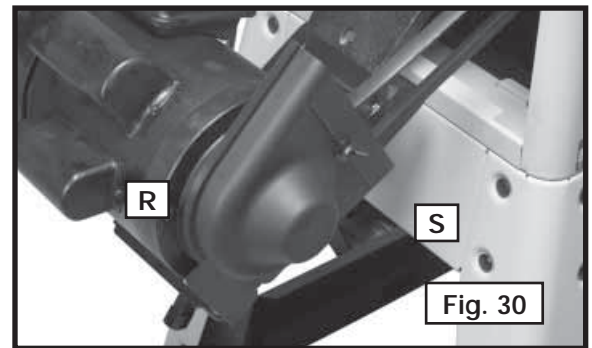


COLOCACIÓN DE LA POLEA DEL MOTOR, EL PROTECTOR DE LA POLEA Y LA CORREA IMPULSORA.

1. Deslice la correa y el soporte del protector de la polea (I), Fig. 27, entre la placa del motor (J) y la placa de montaje del motor (K).
2. Coloque una arandela de bloqueo de diente externo de 6,35 mm (1/4") en un perno de cabeza hexagonal de 1/4-20 x 38 mm (1 1/2"). Inserte el perno (L), Fig. 27, por el orificio de la correa y del soporte del protector de polea (I) Fig. 27.
3. Ubique la correa y el soporte del protector de la polea (I), Fig. 28, de manera que la polea del motor (K) esté centrada y pase a través del orificio en la correa y en el soporte del protector de la polea (I), Fig. 28. Ajuste las cuatro tuercas hexagonales (C), Fig. 24, que unen el motor con la placa de montaje del motor.
4. Utilizando un borde recto, alinee la polea del motor con la polea del eje en el gabinete de la sierra. De ser necesario, ajuste la polea del motor (K), Fig. 28, hacia adentro o hacia fuera del eje del motor.
5. Levante el motor y fije la correa impulsora (L) Fig. 29, en la polea del eje y del motor (K) Fig. 29. El peso del motor suministrará la tensión adecuada a la correa.

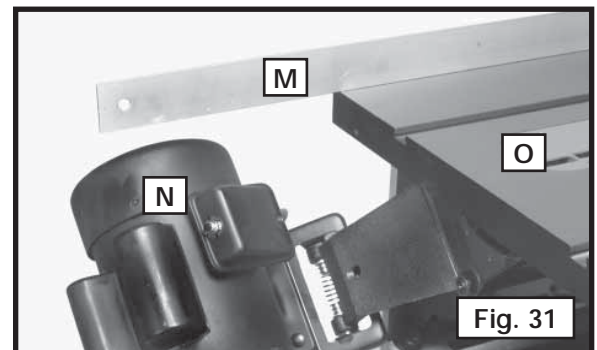


6. Coloque una arandela plana de 6,35 mm (1/4") y un espaciador (P), Fig. 28, en el tornillo de cabeza hexagonal de 6,35 mm (1/4)-20 x 38,01 mm (1 1/2") (L). Enrosque una tuerca hexagonal de 6,35 mm (1/4")-20 (Q), Fig. 28, en el tornillo hasta que ajuste el espaciador en el protector de la polea (I), Fig. 28.
7. Instale el protector de la correa (R), Fig. 30. Colóquelo de manera que el tornillo de cabeza hexagonal de 6,35 mm (1/4)-20 x 38,01 mm (1 1/2") (L), Fig. 28, pase a través del orificio en el guardacorrea. Coloque una arandela de bloqueo de diente externo de 6,35 mm [1/4"] y una tuerca mariposa de 6,35 mm (1/4")-20 al tornillo de cabeza hexagonal (S), Fig. 30. Ajuste bien.



⚠PRECAUCIÓN: No permita que el guardacorrea toque la correa impulsora o la polea del motor.

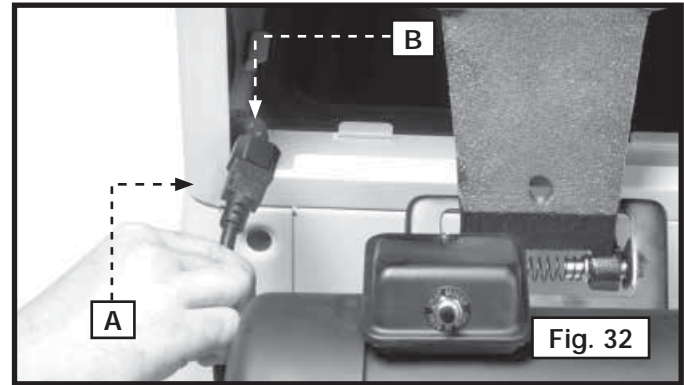
⚠ADVERTENCIA: El extremo del motor (N), Fig. 31, debe quedar debajo de la superficie de la mesa. Inmediatamente después de montar la correa, eleve la hoja de la sierra a la altura máxima e inclínala a 45°. Use un borde recto (M), Fig. 31, para verificar que el extremo del motor (N), Fig. 31, quede debajo de la superficie de la mesa (O). Si no es así, afloje las cuatro tuercas hexagonales (F), Fig. 24, reubique el motor y ajuste los pernos. Vuelva a alinear la polea del motor (K), Fig. 29, con la polea del eje.



CONEXIÓN DEL CABLE DEL MOTOR AL MONTAJE DEL INTERRUPTOR

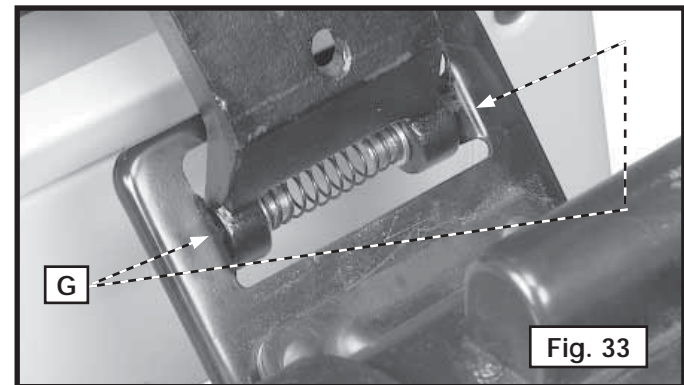
Inserte el enchufe del motor (A) Fig. 32 en el receptáculo hembra (B) del cable que va del interruptor al motor, que se encuentra dentro de la cubierta de la sierra.

Asegurese de que el cable que va desde el interruptor hasta el extremo hembra (B) Fig. 32 Este sujeto a la pared interna de la unidad de la sierra y no entre en contacto con la hoja o cualquier parte móvil.



EXTRACCIÓN DEL MOTOR PARA SU TRANSPORTE

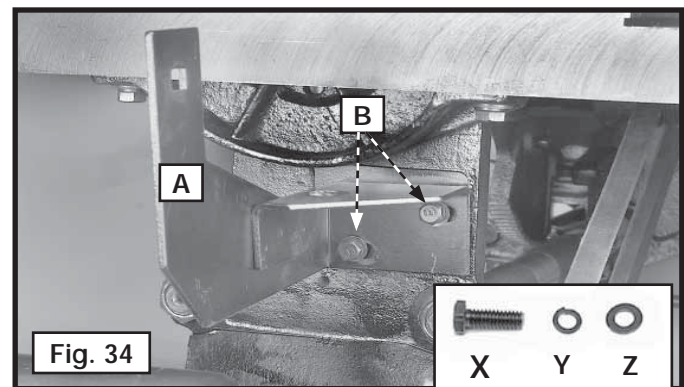
Para extraer el motor y transportarlo, primero desconecte el cable del motor del cable del interruptor. Sostenga el motor, presione las clavijas (G), Fig. 33, y baje el motor del soporte.



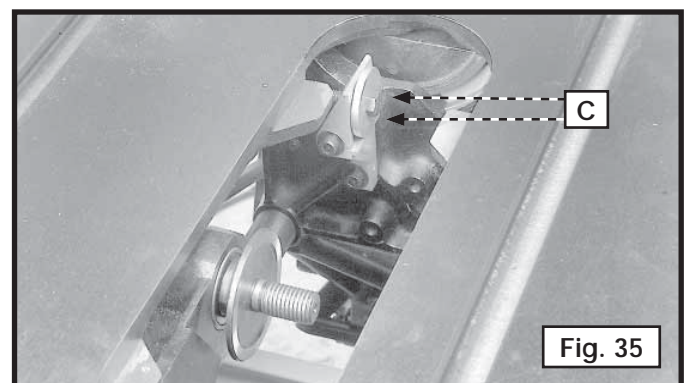
MONTAJE Y ALINEACIÓN DEL PROTECTOR DE LA HOJA Y HENDEDOR

1. Ajuste el soporte de montaje del hendedor trasero (A), Fig. 34, al soporte giratorio trasero. Alinee los dos orificios en la abrazadera de montaje del hendedor trasero (B) con los dos orificios en el soporte giratorio. Coloque una arandela de bloqueo de 6,35 mm [1/4"] y una arandela plana en un perno de cabeza hexagonal de 6,35 mm (1/4)-20 x 19,05 mm (3/4"). Inserte el perno a través del orificio en la abrazadera de montaje del hendedor trasero. Enrosque el perno en el soporte giratorio trasero. Repita este procedimiento para el orificio restante. Fije el equipo sin excesiva firmeza para un ajuste posterior.

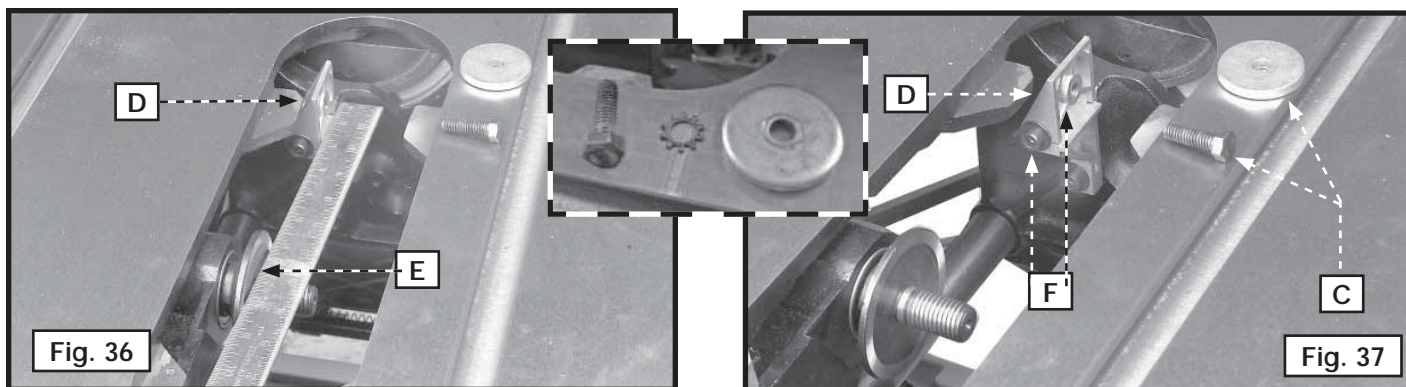
2. Eleve el eje de la sierra hacia su posición más alta.



3. Quite el tornillo, la arandela de bloqueo y la arandela grande (C).



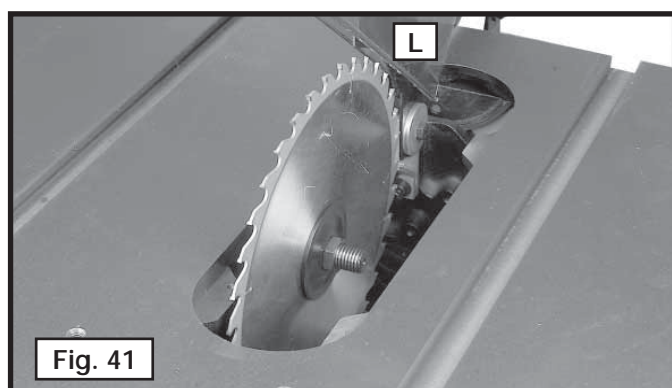
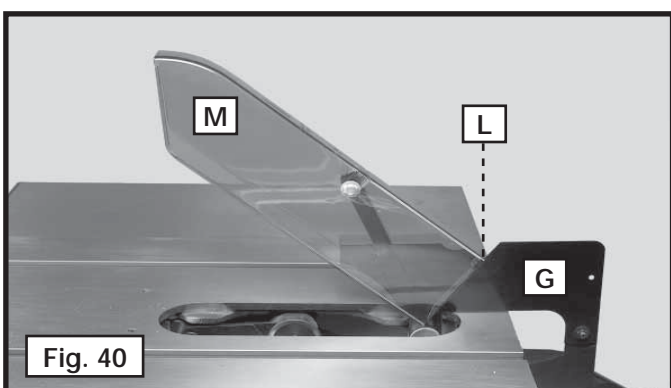
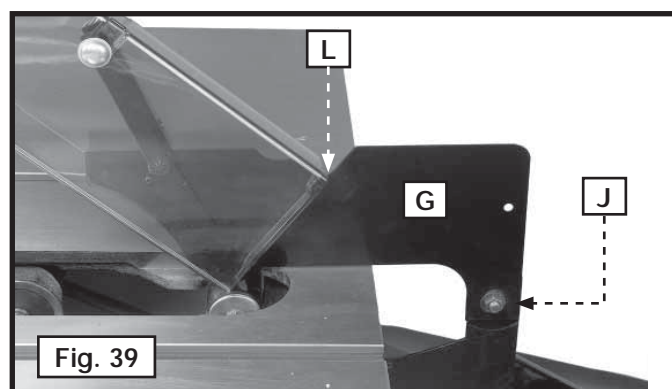
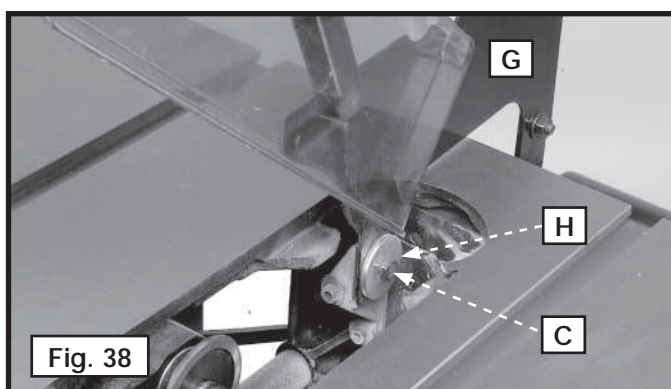
4. Utilizando un borde recto, verifique que los extremos superior e inferior de la abrazadera del hendedor interno (D) Fig. 36 estén alineados con la brida interna del eje E, como se muestra.
5. Si es necesario alinearlos, afloje los dos tornillos (F) Fig. 37, alinee la abrazadera (D) con la brida del eje y ajuste los tornillos (F).
6. Sin tensionar demasiado, anexe la arandela grande, la arandela de bloqueo y el tornillo (que quitó anteriormente) (recuadro), Fig. 36 y 37, a la abrazadera del hendedor interno.



7. Monte el protector de la hoja y el montaje del hendedor (G) Fig. 47 entre la arandela grande (C) y la abrazadera del hendedor y ajuste el tornillo (H) con la llave suministrada. Deslice le hendedor hacia abajo hasta donde sea posible.
8. Ajuste la parte trasera del protector de la hoja y del conjunto de la abrazadera del hendedor (G), Fig. 39, a la parte trasera de la abrazadera de montaje del hendedor. Alinee el orificio (J) en el protector de la hoja y en la abrazadera del hendedor con el orificio en la abrazadera de montaje del hendedor trasero. Inserte un perno de soporte de 7/7,93 x 15,9 mm (5/16-18 x 5/8") en el orificio (J). Coloque una arandela plana y una arandela de bloqueo de dientes externos de 7,93 mm (5/16") en el perno y ajuste con una tuerca hexagonal de 7/7,93 mm (5/16-18"). Ajuste bien.

IMPORTANTE: El hendedor (G) Fig. 40, tiene una muesca (L) en el borde superior, tal como se muestra. Esto permite que el protector de la hoja se mantenga en la posición elevada para facilitar el cambio de la hoja. Eleve la parte anterior del protector de la hoja (M) hasta que el extremo posterior del protector de la hoja se inserte en la muesca (L) del hendedor (G); el protector de la hoja se mantendrá en esta posición. Esta función sólo está disponible cuando se quita el inserto para mesa.

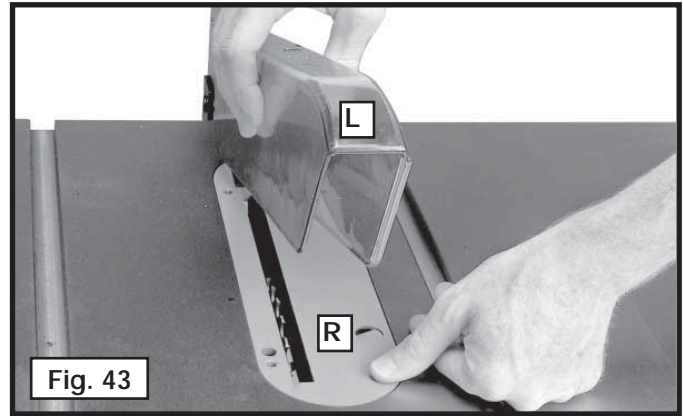
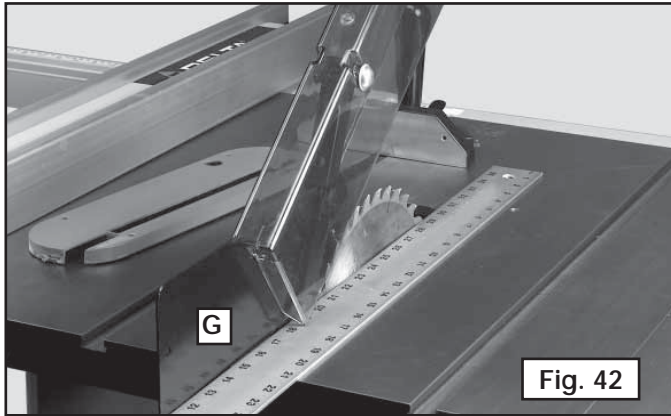
9. Manteniendo el protector de la hoja (L) Fig. 41 en la posición elevada, ensamble la hoja de la sierra (K) en el eje con las dos llaves para eje suministradas (Nº 7 y 8, Fig. 1). Para obtener instrucciones adicionales acerca de cómo cambiar las hojas, consulte la sección "CAMBIO DE LA HOJA DE LA SIERRA" en este manual.



10. Utilice un borde recto para ver si la parte posterior del hendedor (G) está alineada con la hoja de la sierra (Fig. 42). Si es preciso alinear, afloje los tornillos (B), Fig. 34, alinee el hendedor (G) con la hoja de la sierra y ajuste los dos tornillos (B), Fig. 34.
11. Baje la hoja de la sierra e instale el inserto de mesa (P), Fig. 43, en la mesa de la sierra.

⚠ PRECAUCIÓN: El inserto para mesa debe estar nivelado con la superficie de la mesa. Si es necesario realizar un ajuste, consulte la sección "AJUSTE DEL INSERTO PARA MESA".

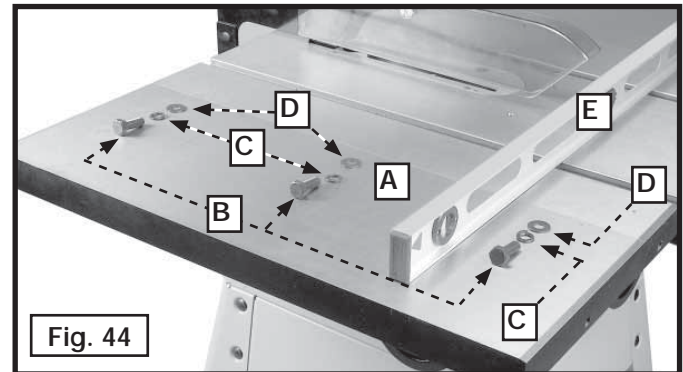
⚠ PRECAUCIÓN: Al instalar el inserto para mesa, sujete el protector de la hoja (L). El inserto liberará automáticamente la acción dilatoria del hendedor y bajará el protector de la hoja cuando se instale en la apertura de la mesa.



BASES DE EXTENSIÓN

1. Conecte la base de extensión (A), Fig. 44, a la mesa de la sierra. Alinee los tres orificios en la base de extensión con los tres orificios al costado de la mesa de la sierra. Coloque una arandela de bloqueo y una arandela plana de 11,11 mm (7/16") en un perno de cabeza hexagonal de 11,11/8,9 x 31,75 mm (7/16-20 x 1-1/4") (los tornillos se muestran en la base (A), Fig. 44).
2. Inserte el tornillo a través del orificio en la base de extensión. Enrosque el tornillo en el orificio roscado al costado de la mesa de la sierra. Ajuste en forma manual. Repita este proceso para los dos orificios restantes en la base de extensión y en la mesa de la sierra.

NOTA: La base de extensión debe estar al ras o apenas detrás del borde anterior de la mesa.



3. Use un borde recto (E), Fig. 44, como guía para nivelar la base de extensión (A) con la mesa de la sierra. Una vez nivelada, ajuste el perno de un lado. Controle el nivel nuevamente. Ajuste el tornillo en el medio y luego ajuste en perno en el otro lado.

MODELO 36-978 ONLY

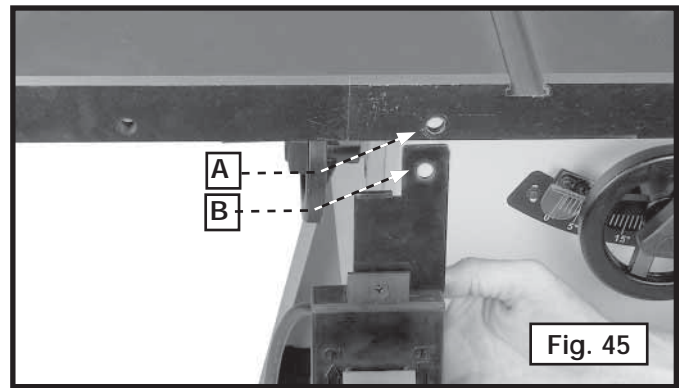
Monte la otra base de extensión de metal en el lado opuesto de la mesa de la sierra de la misma manera.

MODELO 36-979 ONLY

Monte la otra base de extensión de hierro fundido en el lado opuesto de la mesa de la sierra de la misma manera.

INTERRUPTEUR (ON-OFF)

Attacher le commutateur derrière le bord de table avec le matériel (a fourni avec la clôture). La vis qui attache la barre de clôture de devant obtiendra le commutateur en allant bien que le trou (A) la fig. 45 dans le bord de table et le trou (le B) dans le commutateur.



OPERACIÓN

CONTROLES Y AJUSTES OPERACIONALES

ENCENDIDO Y APAGADO DE LA SIERRA

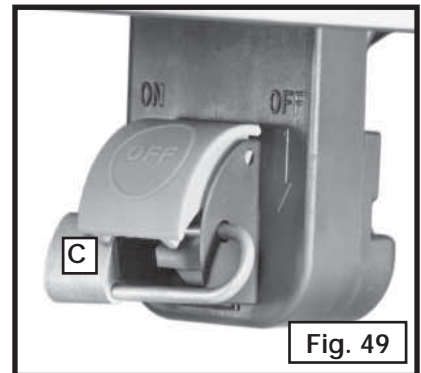
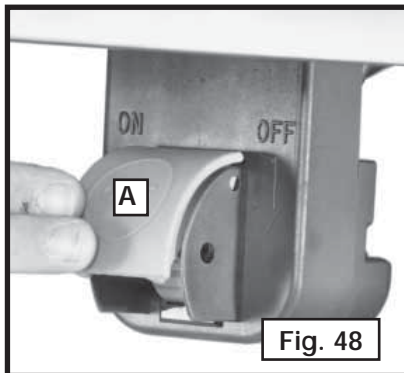
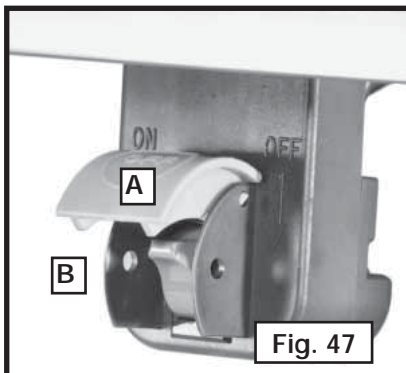
⚠ ADVERTENCIA: Asegúrese de que el interruptor esté en la posición de "APAGADO" (OFF) antes de enchufar el cable de alimentación en el tomacorriente. No toque las patas de metal del enchufe al enchufar o desenchufar el cable.

1. El interruptor de ENCENDIDO/APAGADO (ON/OFF) se encuentra debajo del protector del interruptor (A) Fig. 47. Para encender la sierra, mueva la palanca del interruptor (B) a la posición superior.
2. Para apagar la sierra, empuje el protector del interruptor (A) Fig. 48, hacia abajo.

BLOQUEO DEL INTERRUPTOR EN LA POSICIÓN DE "APAGADO" (OFF)

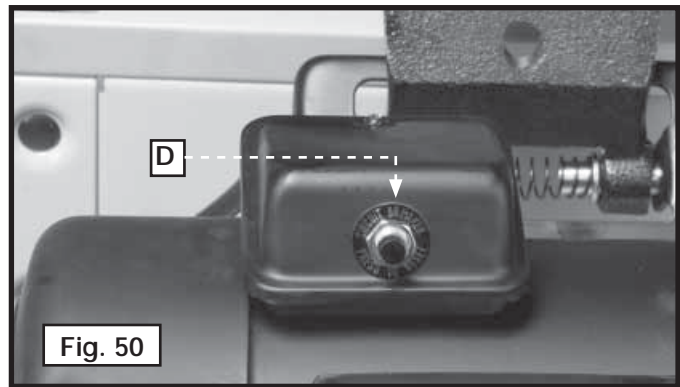
IMPORTANTE: Cuando no utilice la máquina, el interruptor debe bloquearse en la posición de **APAGADO (OFF)** con un candado (C), Fig. 57, con argolla de 4,75 mm (3/16") de diámetro (D), para evitar que personas no autorizadas usen la unidad.

⚠ ADVERTENCIA: En el caso de un corte eléctrico (por ejemplo por un interruptor o fusible quemados) bloquee siempre el interruptor in la posición de apagado (OFF) hasta que se restablezca la energía principal.



PROTECCIÓN DE SOBRECARGA

El motor suministrado con su sierra está equipado con un reinicio manual por sobrecarga (A), Fig. 50. Si el motor se apaga o no arranca por una sobrecarga (por cortar material demasiado rápido, usar una hoja sin filo, utilizar la sierra más allá de su capacidad, etc.) o por bajo voltaje, mueva el botón de **ENCENDIDO/APAGADO** a la posición "**APAGADO**" (**OFF**). Espere hasta que el motor se enfríe, de tres a cinco minutos, luego pulse el botón de reinicio (A) para reiniciar el dispositivo de sobrecarga.



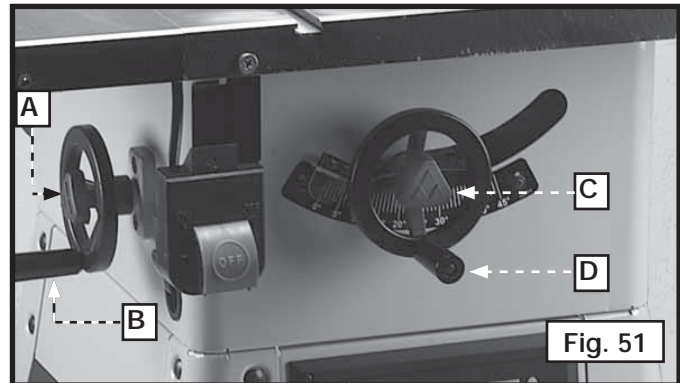
ELEVACIÓN Y DESCENSO DE LA HOJA

Para inclinar la hoja de la sierra, afloje la perilla de bloqueo (C) Fig. 51, y gire el volante de ajuste de la sierra (D) en sentido de las agujas del reloj. Para bajar la hoja, gire el volante (D) en sentido contrario a las agujas del reloj. Cuando la hoja se encuentre a la altura deseada, ajuste la perilla de bloqueo (C).

NOTA: Un giro completo del volante cambiará la altura de la hoja aproximadamente 6,35 mm (1/4").

INCLINACIÓN DE LA HOJA

Para inclinar la hoja de la sierra para cortes biselados, afloje la perilla de bloqueo (A) y gire el volante de inclinación (B). Cuando obtenga el ángulo de hoja deseado, ajuste la perilla de bloqueo (A).

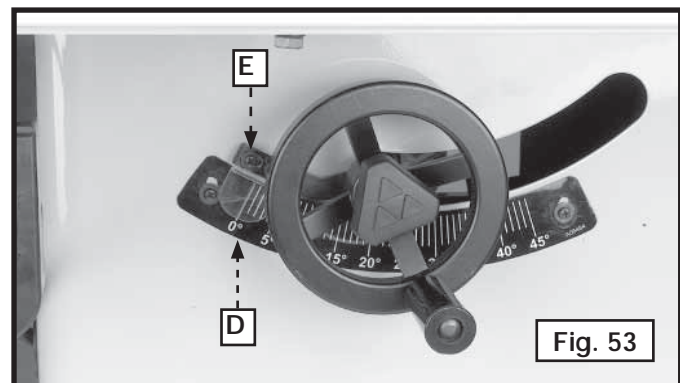
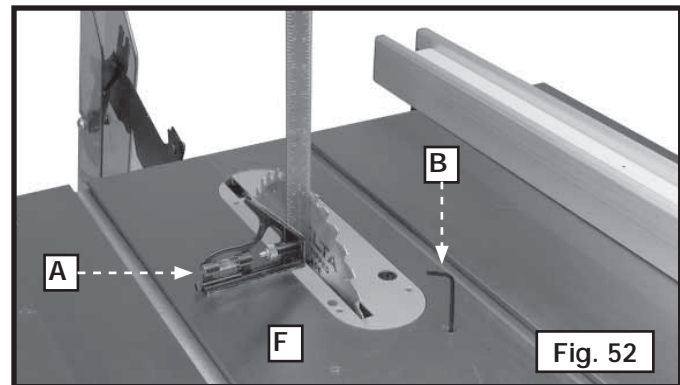


AJUSTE DE TOPES POSITIVOS A 45 Y 90 GRADOS

La sierra está equipada con topes positivos para un posicionamiento rápido y exacto de la hoja de la sierra a 90 y 45 grados de la mesa. Para verificar y ajustar los topes positivos, proceda de la siguiente forma:

⚠ ADVERTENCIA: Desconecte la máquina de la fuente de alimentación.

1. Eleve la hoja de la sierra a la altura máxima.
2. Regule la hoja de la sierra a 90° de la mesa girando el volante de inclinación de la hoja (B), Fig. 51, en sentido contrario a las agujas del reloj tanto como sea posible.
3. Utilice una escuadra de combinación (A), Fig. 52, para verificar si la hoja se encuentra a 90° con respecto a la superficie de la mesa.
4. Si no es así, gire el volante (B), Fig. 51, una vuelta en sentido de las agujas del reloj. Afloje los tornillos de fijación (F), Fig. 52, con una llave hexagonal de 4 mm. Gire el volante hasta que la hoja quede a 90° de la mesa. Ajuste el tornillo de bloqueo (F) hasta el fondo.
5. Desajuste los tornillos (E), Fig. 53, ajuste el indicador (D) para que apunte a la marca de 0° en la escala y ajuste los tornillos (E).
6. Gire el volante de inclinación de la hoja en el sentido de las agujas del reloj todo lo que pueda y verifique que la hoja esté a 45° con respecto a la mesa utilizando una escuadra de combinación.
7. Si no es así, gire el volante (B), Fig. 51, una vuelta en sentido contrario a las agujas del reloj. Afloje el tornillo de bloqueo (B), Fig. 52. Gire el volante hasta que la hoja se encuentre a 45° de la mesa. Ajuste el tornillo de bloqueo (B) hasta el fondo.

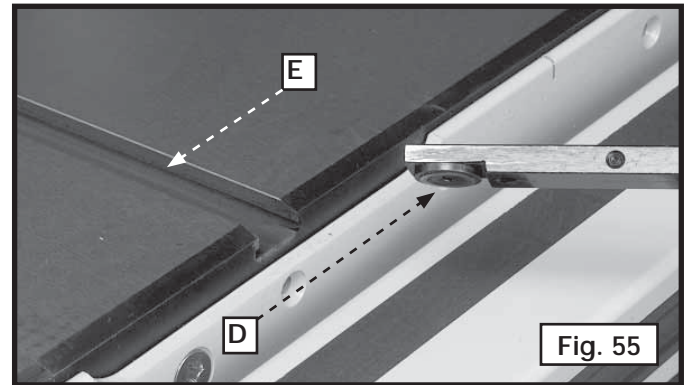
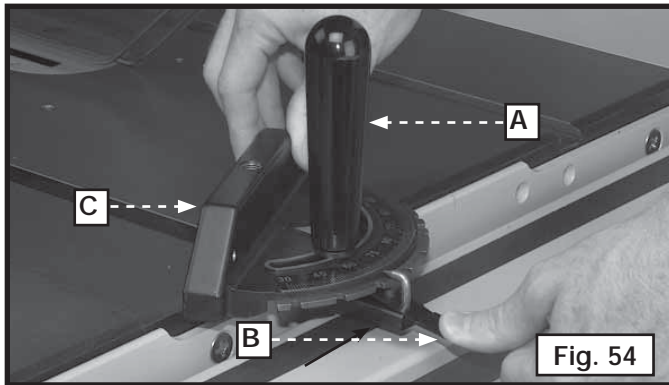


OPERACIÓN Y AJUSTE DEL CALIBRADOR DE INGLETE

El calibrador de inglete está equipado con topes indicadores regulables en 90, 75, 60, 45 y 30 grados.

Para rotar el calibrador de inglete, afloje la perilla de bloqueo (A) Fig. 54, presione la palanca (B) hacia abajo y mueva el cuerpo del calibrador de inglete (C) hacia el ángulo deseado.

El calibrador de inglete está equipado con una arandela (D) Fig. 55 que se ajusta a la ranura en forma de T (E) en la mesa. Esto permite que se extraiga el calibrador de inglete por el borde anterior de la mesa sin caerse. Esto también proporciona una capacidad de corte mayor en la parte anterior de la mesa.

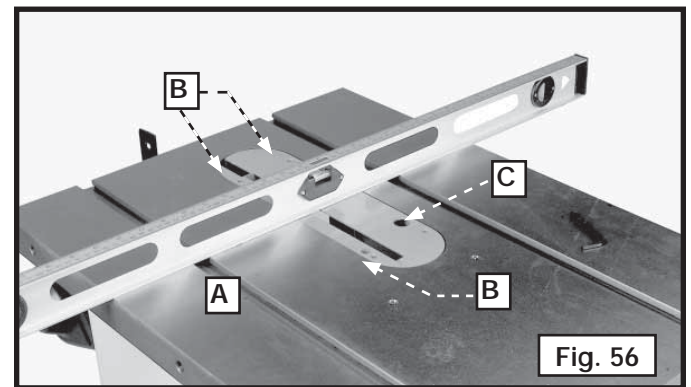


AJUSTE DEL INSERTO PARA MESA

⚠ ADVERTENCIA: Desconecte la máquina de la fuente de alimentación.

Coloque un borde recto cruzando la mesa en ambos extremos del inserto para mesa (A) Fig. 56.

CAUTION Compruebe que el inserto para mesa (A) siempre esté alineado con la mesa. Para ajustar, gire los tornillos (B) El inserto para mesa viene con un orificio para el dedo (C) que permite quitarlo más fácilmente.

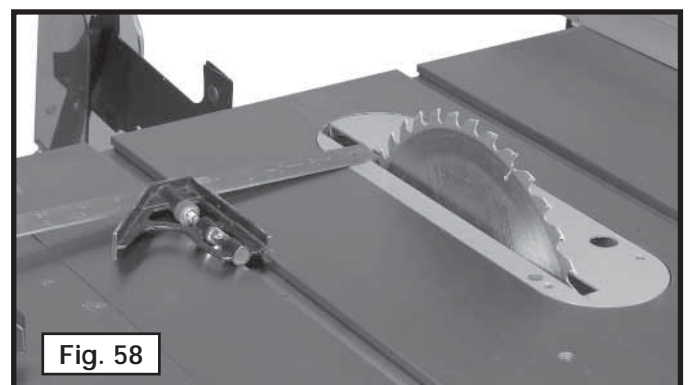
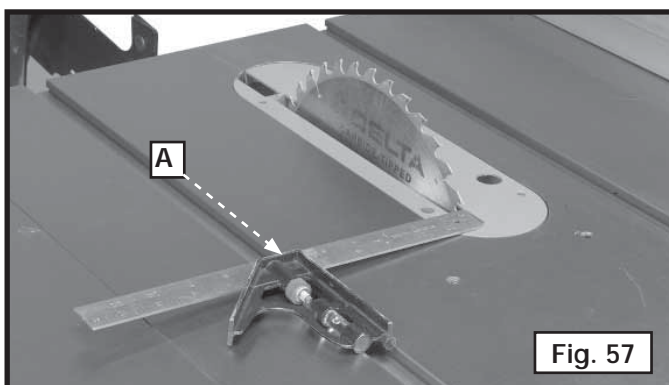


ALINEACIÓN DE LAS RANURAS DEL CALIBRADOR DE INGLETE CON LA HOJA

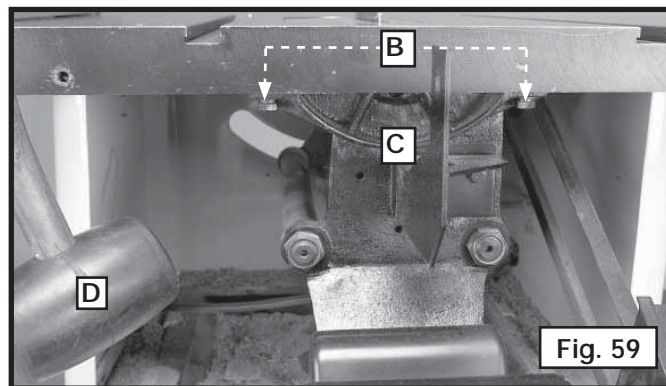
La mesa de la sierra viene alineada de fábrica para que las ranuras del calibrador de inglete sean paralelas a la hoja de la sierra. Sin embargo, verifique la alineación antes de comenzar la operación.

⚠ ADVERTENCIA: Desconecte la máquina de la fuente de alimentación.

1. Coloque una escuadra de combinación (A), Fig. 57, en el banco con un borde de la escuadra en la ranura del calibrador de inglete. Ajuste la escuadra de manera que la regla toque uno de los dientes en la hoja de la sierra en la posición delantera (Fig. 57). Trabe la escuadra en esa posición.
2. Gire la hoja de la sierra de manera que el mismo diente que usó en el PASO 1 quede en la posición trasera (Fig. 58). Verifique esta distancia. Ambas mediciones, trasera y delantera, deben ser idénticas.



- Para ajustar, afloje los dos pernos de cabeza hexagonal (B), Fig. 59, que unen el soporte giratorio trasero a la mesa de la sierra.
- Use un mazo de goma (o un martillo común con un bloque de madera) para golpear el soporte giratorio (C) hasta que la hoja de la sierra se encuentre en el centro de la ranura del inserto para mesa y esté paralela a la ranura del calibrador de inglete.
- Ajuste los dos pernos de cabeza hexagonal que aflojó en el PASO 3.
- Incline la hoja a 45°. Rote la hoja de la sierra en forma manual para asegurarse de que no haga contacto con el inserto para mesa.



CAMBIO DE LA HOJA DE LA SIERRA

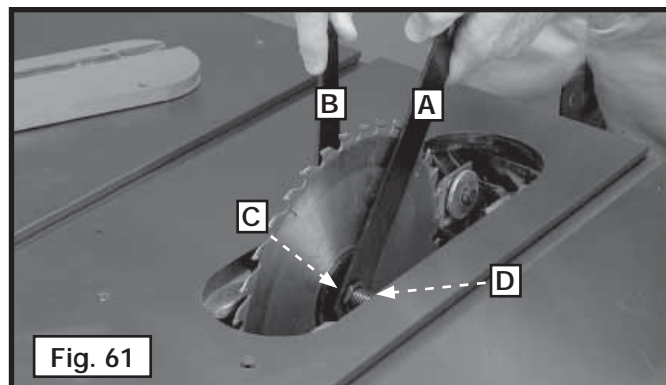
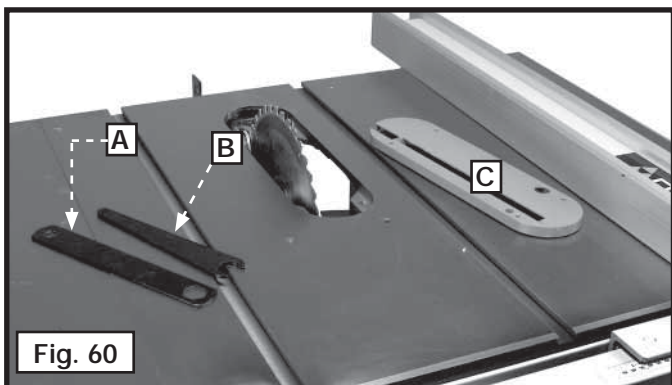
⚠ ADVERTENCIA: Use solamente hojas de 25,4 CM (10") de diámetro con orificios para el eje de 15,8 MM (5/8"), con una velocidad de 3600 RPM o mayor.

⚠ ADVERTENCIA: Desconecte la máquina de la fuente de alimentación.

NOTA: Se incluyen dos llaves de 22,22 mm (7/8") con la sierra para cambiar la hoja: Una llave abierta (A) Fig. 61 y una cerrada (B).

- Quite el inserto para mesa (C) Fig. 61 y eleve la hoja de la sierra a su altura máxima.
- Coloque la llave abierta (B) Fig. 61 en las partes planas del eje de la sierra para evitar que éste gire, y utilice la llave cerrada (A) para girar la tuerca del eje (D) hacia el frente de la hoja para aflojarla. Retire la tuerca del eje, la brida de la hoja (C) y la hoja de la sierra.
- Coloque la hoja nueva en el eje, asegurándose que los dientes apunten hacia abajo cuando la hoja rote hacia el frente de la mesa de la sierra. Ensamble la brida externa y la tuerca del eje para asegurar la hoja. Con la llave (B) Fig. 61 en la parte plana del eje para evitar que éste rote, ajuste la tuerca del eje girando la llave (A) hacia la parte trasera de la sierra.
- Vuelva a colocar el inserto para mesa.

NOTA: Asegúrese de usar la hoja adecuada para el trabajo que está realizando y de que la hoja esté afilada. Si tiene varias hojas guardadas, no las apile una sobre otra. Coloque algún material (como cartón) entre las hojas para evitar que se toquen.

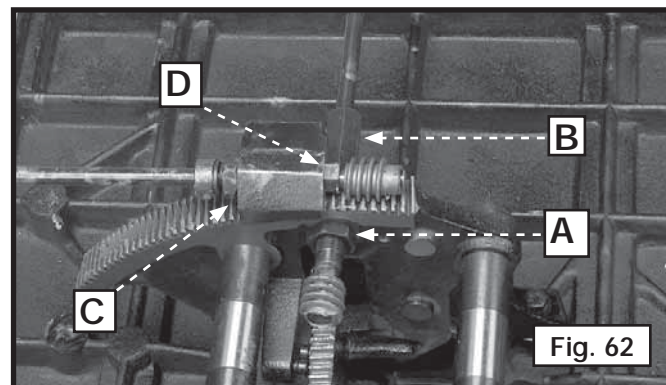


AJUSTES DE CONTRAGOLPE PARA LOS MECANISMOS DE ELEVACIÓN Y INCLINACIÓN DE LA HOJA

Si observa algún huelgo en los mecanismos de elevación o inclinación de la hoja, debe realizar los siguientes ajustes:

NOTA: La máquina (Fig. 62) ha sido invertida y se ha quitado la hoja para mayor claridad y seguridad.

- Ajuste del mecanismo de elevación de la hoja** - Afloje la tuerca de seguridad (A) Fig. 62 y gire la manga excéntrica (B) hasta que el mecanismo no tenga ningún huelgo, y luego ajuste la tuerca de seguridad (A).
- Ajuste del mecanismo de inclinación de la hoja** - Afloje la tuerca de seguridad (C) Fig. 62 y gire la manga excéntrica (D) hasta que el mecanismo no tenga ningún huelgo, y luego ajuste la tuerca de seguridad (C).



UTILIZAR LA MAQUINA

Las operaciones comunes de corte con sierra incluyen los cortes longitudinales y transversales, además de algunas otras operaciones estándar fundamentales. Como sucede con todas las máquinas eléctricas, hay un determinado margen de peligro relacionado con el funcionamiento y el uso de la máquina. Si utiliza la máquina con la precaución necesaria, reducirá considerablemente la posibilidad de lesiones personales. No obstante, si no se presta la debida atención a las medidas de seguridad normales o se las ignora por completo, el operador puede lesionarse. La siguiente información describe el método adecuado y seguro de realizar las operaciones más comunes de corte con sierra.

⚠ ADVERTENCIA: Este manual de instrucciones no suministra información acerca de la instalación de un sistema de guía. Se debe instalar un sistema de guía antes de usar la sierra. Consulte el manual de instrucciones de la guía para informarse acerca de la correcta instalación, alineación, y operación del sistema de guías. Consultar la sección "ACCESORIOS" para ver los sistemas de guía disponibles.

⚠ ADVERTENCIA: El uso de dispositivos y accesorios no recomendados por Delta puede ocasionar lesiones.

⚠ ADVERTENCIA: No utilice la sierra sin el inserto para mesa adecuado para la hoja o el cortador instalado.

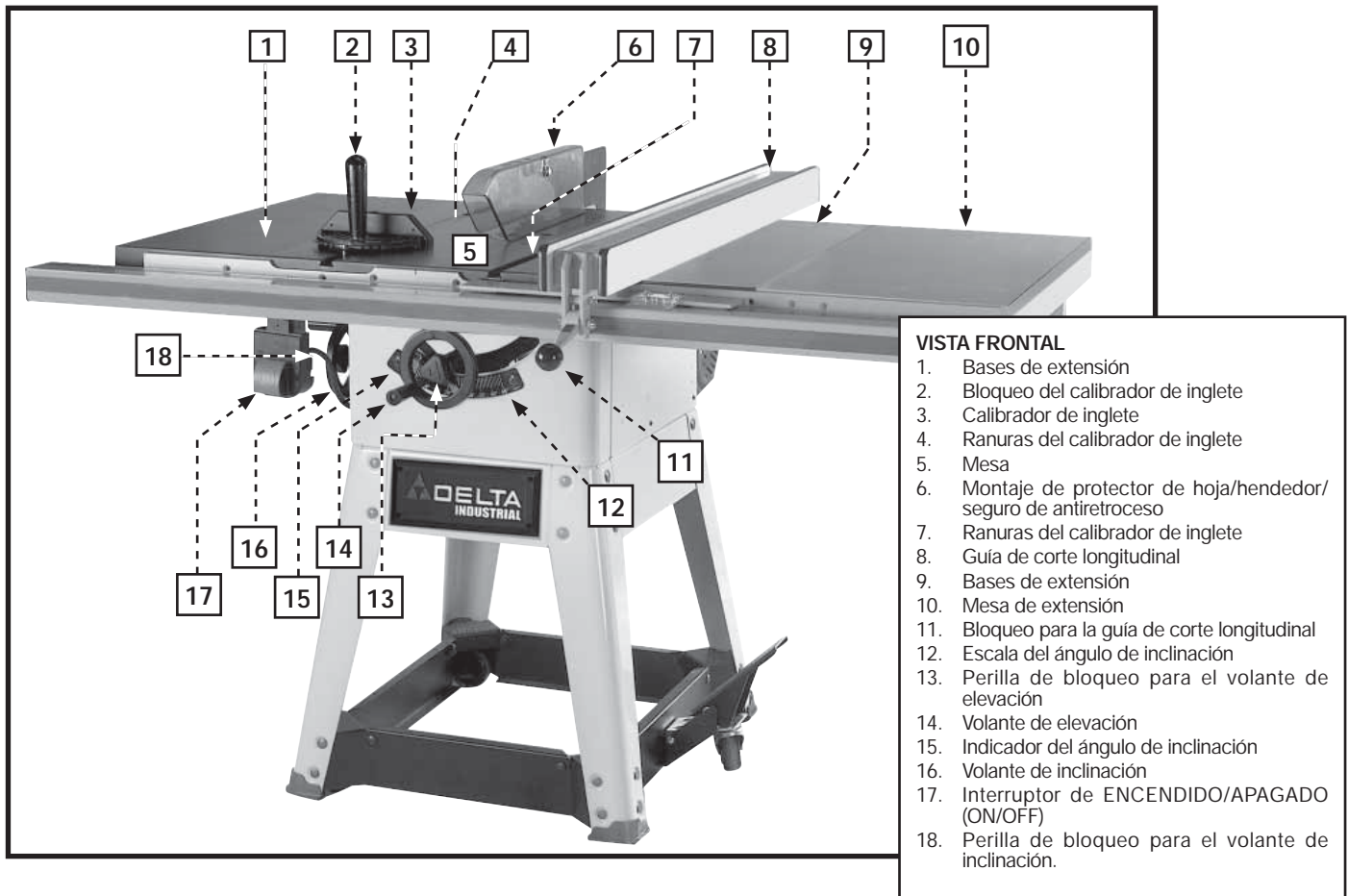
LISTA DE CONTROL DE OPERACIONES RÁPIDAS

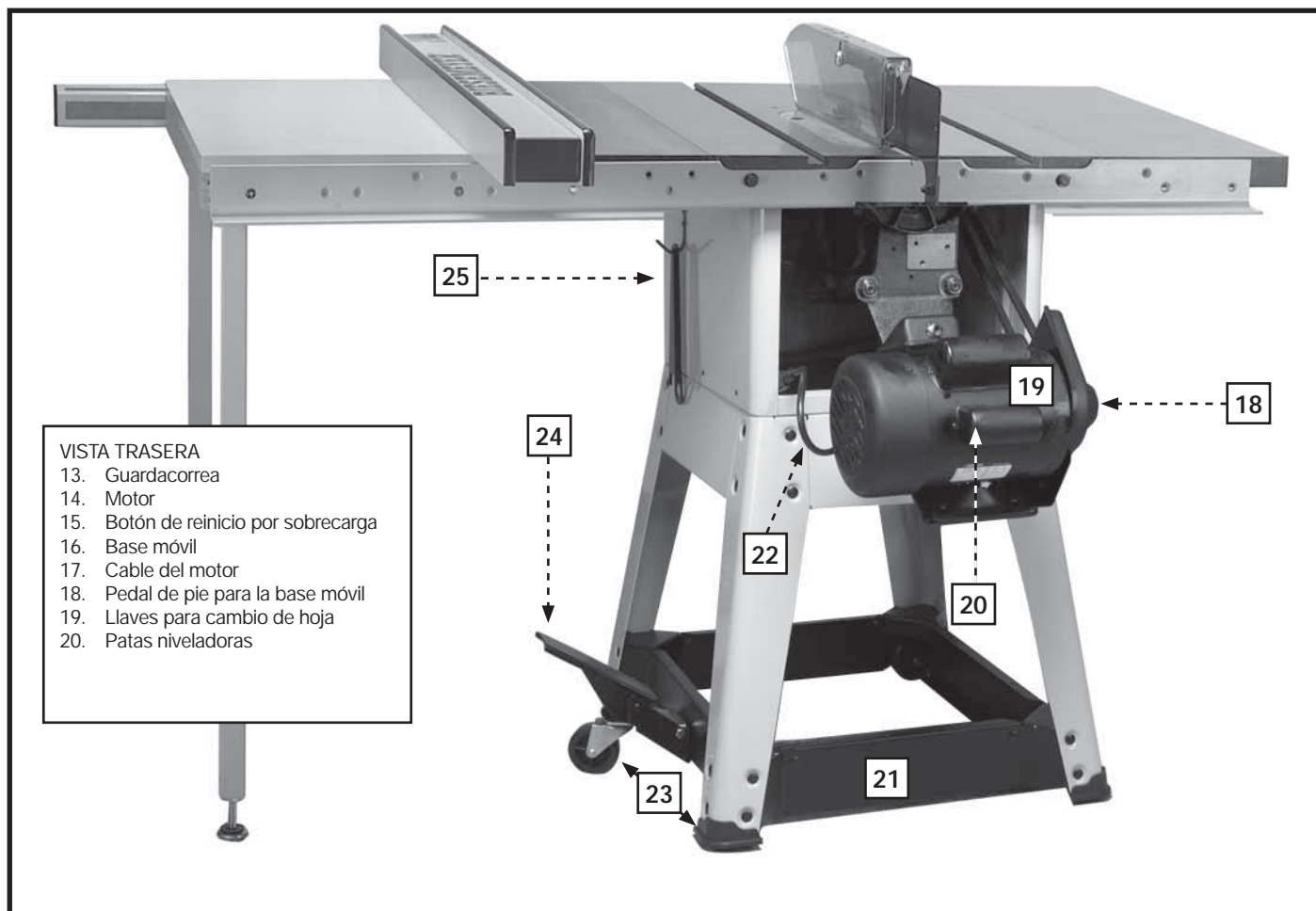
⚠ PRECAUCIÓN: Cada vez que use la sierra verifique que:

1. La hoja esté ajustada.
2. El ángulo del bisel y las perillas de bloqueo de altura estén ajustadas.
3. La palanca de bloqueo de la guía esté ajustada y la guía esté paralela a la hoja (en el caso de cortes longitudinales).
4. La perilla del calibrador de inglete esté ajustada (en el caso de cortes transversales).
5. Se utiliza el equipo adecuado para los ojos, los oídos y las vías respiratorias.
6. El protector de la hoja esté ajustado adecuadamente y que los seguros de antiretroceso funcionen.

⚠ PRECAUCIÓN: El incumplimiento de estas normas de seguridad básicas, puede aumentar las posibilidades de lesiones.

PIEZAS CLAVE Y CARACTERÍSTICAS DE SEGURIDAD DE SU SIERRA





USO DEL PROTECTOR DE LA HOJA Y DEL HENDEDOR

⚠ ADVERTENCIA: El montaje de protector de la hoja suministrado con las sierras Delta, como muestra la Fig. 63, debe utilizarse para todas las operaciones de corte. El hendedor evita que la ranura se cierre y atasque la hoja, lo que causaría retroceso. Los seguros de antiretroceso (A) Fig. 62 evitan que la pieza de trabajo y las piezas cortadas sean lanzadas hacia el operador. El protector de plástico evita que el polvo y los desechos lleguen al operador. Para usar el protector adecuadamente:

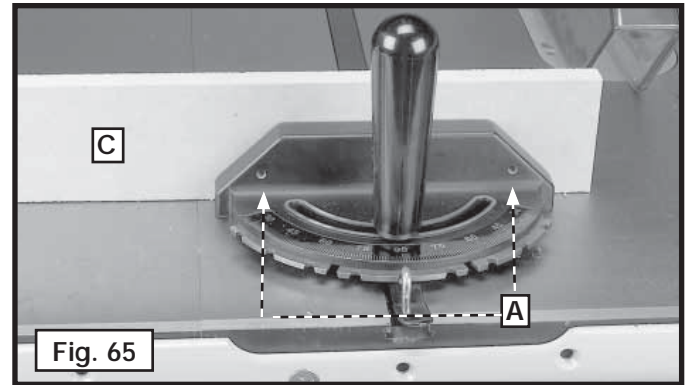
1. Asegúrese de que el hendedor esté alineado con la hoja tal como se describe en la sección "MONTAJE Y ALINEACIÓN DEL PROTECTOR DE LA HOJA Y EL HENDEDOR".
2. Reemplace o afile los seguros antiretroceso cuando estén desafilados.
3. Mantenga el protector limpio para una mejor visibilidad y una mayor libertad de movimiento.
4. No utilice solventes o lubricantes en el protector ya que pueden dañar el plástico.
5. Tenga precaución al introducir piezas de trabajo que se puedan trabar en el protector causando un atascamiento o forzando el protector hacia la hoja (como en el corte de



CORTE TRANSVERSAL

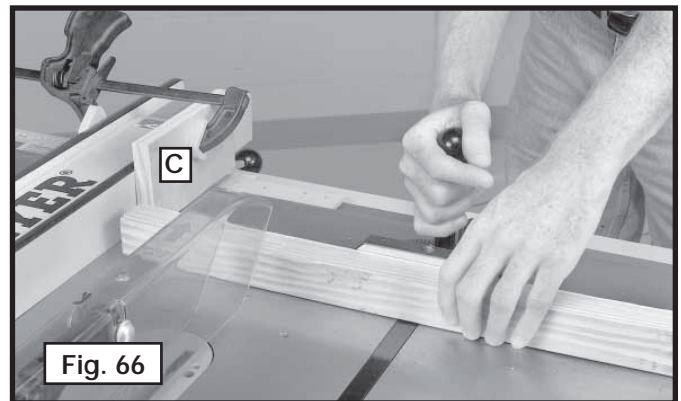
El corte transversal requiere del uso de un calibrador de inglete para guiar y ubicar la pieza de trabajo en la posición correcta. Antes de cortar, levante la hoja de manera que quede 3,2 mm (1/8") más arriba que la parte superior de la pieza de trabajo. Coloque la pieza contra el calibrador de inglete y lleve el calibrador y la pieza hacia la hoja de la sierra (Fig. 64). El calibrador de inglete se puede usar en cualquiera de las dos ranuras de la mesa. Comience el corte lentamente y sostenga el trabajo con firmeza contra el calibrador de inglete y la mesa. Mantenga ambas manos sobre el calibrador de inglete y la pieza de trabajo. No toque la pieza cortada. Introduzca la pieza de trabajo firmemente a través de la hoja hasta que esté completamente cortada. Mueva la pieza de trabajo apenas alejándola de la hoja y luego lleve la pieza de trabajo y el calibrador de inglete a la posición inicial. Retire la pieza de trabajo y luego use una vara para empujar la pieza cortada hasta que pase la hoja y salga de la mesa antes de comenzar el próximo corte.

Para mayor seguridad y conveniencia, el calibrador de inglete puede ajustarse con un revestimiento de madera auxiliar (C) Fig. 65, que debe ser por lo menos 2,5 cm (1 pulgada) más alto que la profundidad máxima de corte y debe extenderse 30 cm (12 pulgadas) o más hacia un lado o el otro, según en qué ranura del calibrador de inglete sea utilizado. Este revestimiento de madera auxiliar (C) puede sujetarse al frente del calibrador de inglete con dos tornillos para madera (A) a través de los orificios provistos en el cuerpo del calibrador y del revestimiento de madera.



⚠ ADVERTENCIA Never use the fence as a cut-off gauge when cross-cutting.

Cuando corte transversalmente un número de piezas de la misma longitud, puede fijar un bloque de madera (B) a la guía y utilizarlo como un calibrador de corte (Fig. 66). El bloque (B) debe tener un espesor de al menos 19 mm (3/4") para evitar que la pieza cortada se trabe entre la hoja y la guía al retirarla de la hoja de la sierra. Es importante que este bloque de madera siempre esté ubicado delante de la hoja de la sierra como se muestra en la ilustración. Una vez determinada la longitud del corte, asegure la guía y utilice el calibrador de inglete para introducir el trabajo en el corte..

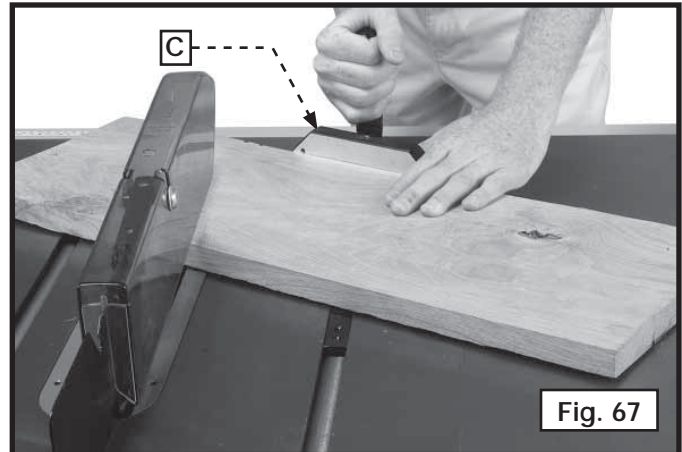


⚠ ADVERTENCIA Cuando utilice el bloque (B), Fig. 66 como calibrador de corte, es muy importante que el extremo posterior del bloque esté ubicado de modo que libere la pieza de trabajo antes que ésta entre en contacto con la hoja.

CORTE A INGLETE

El corte a inglete (Fig. 67) es igual al corte transversal, excepto que el calibrador de inglete (C) está trabajando en un ángulo que no es 0 grados. Sostenga la pieza de trabajo firmemente contra el calibrador de inglete e introduzca el trabajo lentamente en la hoja para evitar que la pieza se mueva.

⚠ ADVERTENCIA: Los ángulos de inglete mayores a 45 grados pueden empujar el protector hacia la hoja de la sierra, dañándolo. Antes de encender el motor, verifique la operación introduciendo la pieza de trabajo en el protector. Si el protector toca la hoja, coloque la pieza de trabajo debajo del protector, evitando que toque la hoja, antes de encender el motor. Es posible que ciertas formas de las piezas de trabajo, como las molduras no eleven el protector adecuadamente. Introduzca el trabajo lentamente para iniciar el corte.



CORTE TRANSVERSAL CON BISEL

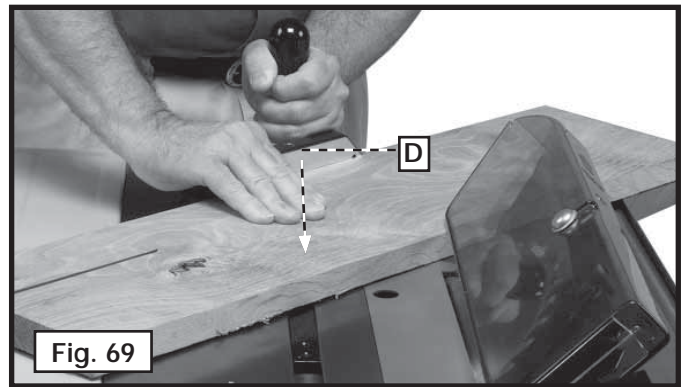
El corte transversal con bisel (Fig. 68) es igual al corte transversal, pero el ángulo del bisel se fija en una posición que no sea 0 grados.

⚠ ADVERTENCIA: Siempre que sea posible, utilice la ranura del calibrador de inglete adecuada al realizar cortes transversales con bisel, de modo que la hoja se incline alejándose del calibrador y de sus manos.

⚠ ADVERTENCIA: Tenga cuidado al comenzar a cortar, para evitar bloquear el protector contra la pieza de trabajo.

CORTE CON INGLETES COMPUESTOS

El corte con ingletes compuestos (ilustrado en la Fig. 69) es una combinación de corte transversal con bisel y corte con inglete, donde la hoja está biselada a un ángulo que no sea 0 grados y el calibrador de inglete está fijado a un ángulo que no sea 0 grados. Use siempre la ranura del calibrador (D) que permite que la hoja se incline alejándose del calibrador y de sus manos.



CORTE LONGITUDINAL

Ripping (Fig. 70) is cutting lengthwise through a board. The rip fence (A) is used to position and guide the work. One edge of the work rides against the rip fence while the flat side of the board rests on the table.

⚠ ADVERTENCIA: Se debe usar la guarda de la hoja de la sierra. En las sierras Delta, la guarda tiene seguros de antiretroceso para prevenir el retroceso y un hendedor para evitar que el corte de la madera se cierre y atasque la hoja. asegúrese de reemplazar o afilar los dispositivos antiretroceso cuando las puntas pierdan el filo.

⚠ ADVERTENCIA: Siempre se debe usar una guía para corte longitudinal al realizar operaciones de corte longitudinal. nunca realice operaciones de corte longitudinal a pulso. ajuste siempre la guía al riel.

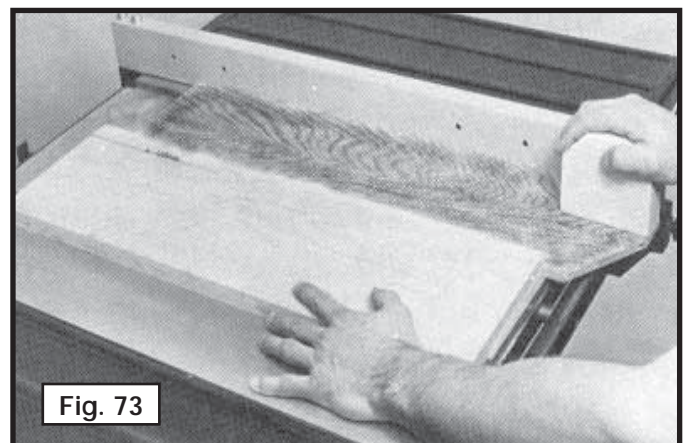
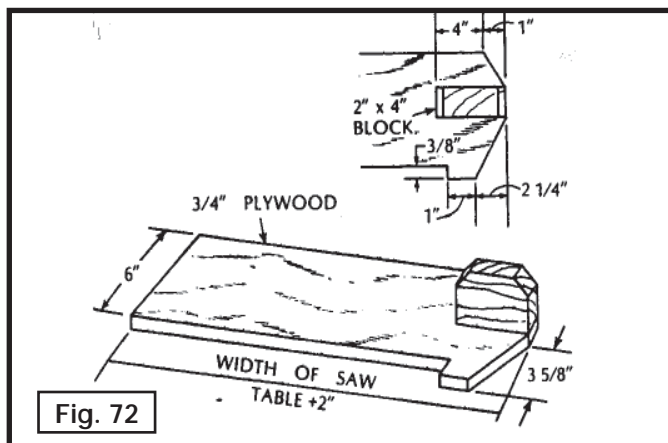
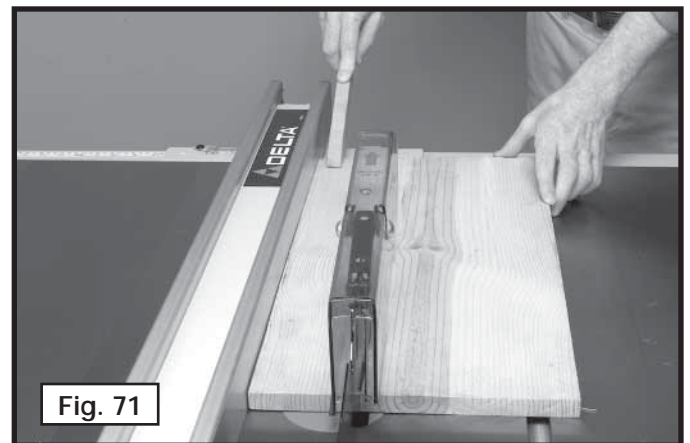
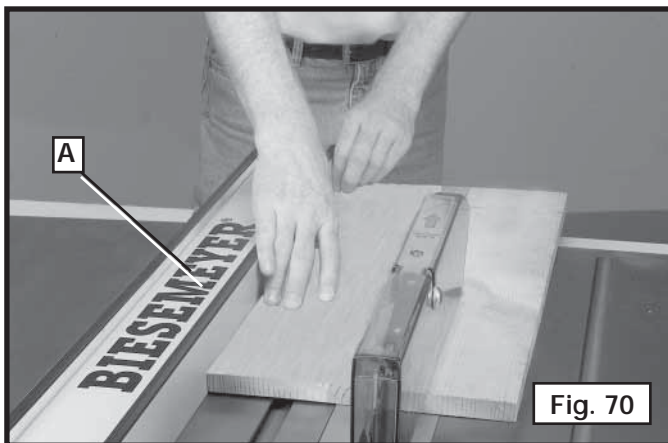
⚠ PRECAUCIÓN: La pieza de trabajo debe tener un borde recto contra la guía, y no debe estar torcida, deformada o curvada.

1. Antes de cortar, levante la hoja de manera que quede 3,2 mm (1/8") más arriba que la parte superior de la pieza de trabajo. Encienda el motor y haga avanzar el trabajo, sosteniéndolo hacia abajo y contra la guía. Nunca se pare en la línea de corte de la sierra mientras realiza el corte longitudinal. Cuando el ancho del corte sea de 15,24 cm (6") o más, tome la pieza con ambas manos y empujela por la guía hasta insertarla en la hoja de la sierra. Al realizar cortes longitudinales, la fuerza de la presión se debe aplicar siempre entre la hoja de la sierra y la guía. Nunca tire de la pieza de trabajo por la parte posterior de la sierra. Debe introducir la pieza de trabajo en la hoja de la sierra con la mano derecha. Utilice la mano izquierda sólo para dirigir la pieza de trabajo hacia la guía, y aleje la mano izquierda de la pieza a 30,48 cm (12") de la hoja. Presione la pieza de trabajo contra la guía de corte y hacia abajo sobre la mesa de la sierra. Asegúrese de que tiene suficiente apoyo de salida para la pieza de trabajo y **MANTENGA LAS MANOS LEJOS DE LA HOJA DE LA SIERRA.**
2. Cuando la pieza de trabajo haya pasado la hoja, se mantendrá sobre la mesa o se inclinará levemente y quedará atascada en el protector. Alternativamente, la alimentación puede continuar hasta el final de la mesa y después de eso, se levanta el trabajo y se lo lleva junto al borde externo de la guía. Cuando se cortan longitudinalmente tablas de más de 90 cm (3 pies) de largo, utilice un apoyo para el trabajo en la parte posterior de la sierra para que la pieza no se caiga de la mesa de la sierra.
3. Si el tamaño o la forma de la pieza de trabajo hicieran que su mano quede a 15 cm (6") de la hoja de la sierra, utilice una vara para empujar para completar el corte, tal como se observa en la Fig. 71. La vara para empujar se puede armar fácilmente a partir de material de desecho, tal como se explica en la sección "CONSTRUCCIÓN DE UNA VARA PARA EMPUJAR".
4. El corte longitudinal de piezas angostas puede resultar peligroso si no se hace con cuidado. De ser posible, corte la pieza más angosta de la más grande. Si la pieza de trabajo es muy corta, utilice una tabla para empujar. (Se puede construir una tabla para empujar como se ve en la Fig. 72 y debe utilizarse como se muestra en la Fig. 73.)

NOTA: En la Fig. 73, se han retirado el protector y el hendedor para mayor claridad. Use el protector y el hendedor al realizar cortes longitudinales.

5. Para las piezas más largas, utilice una o más varas para empujar, para evitar poner sus manos entre la guía y la hoja. Asegúrese siempre de que no haya cortes angostos atascados entre los seguros de antirretroceso y el hendedor.

NOTA: Algunas operaciones especiales (al utilizar el cabezal portacuchilla para moldura) requieren que se incorpore a la guía un revestimiento de madera auxiliar, como se explica en la sección "UTILIZACIÓN DE UN REVESTIMIENTO DE MADERA", y el uso de una vara para empujar.



CORTE LONGITUDINAL CON BISEL

El corte longitudinal con bisel (Fig. 74) es igual al corte longitudinal, pero el ángulo del bisel se fija en una posición que no sea 0 grados.

⚠ ADVERTENCIA: Cuando sea posible, coloque la guía a la derecha de la hoja de manera que la hoja se incline alejándose de la guía y de sus manos. Mantenga las manos alejadas de la hoja y use una vara para empujar la pieza de trabajo si hay menos de 15 cm (6") entre la guía y la hoja.

⚠ ADVERTENCIA: Tenga cuidado al comenzar a cortar, para evitar bloquear el protector contra la pieza de trabajo.

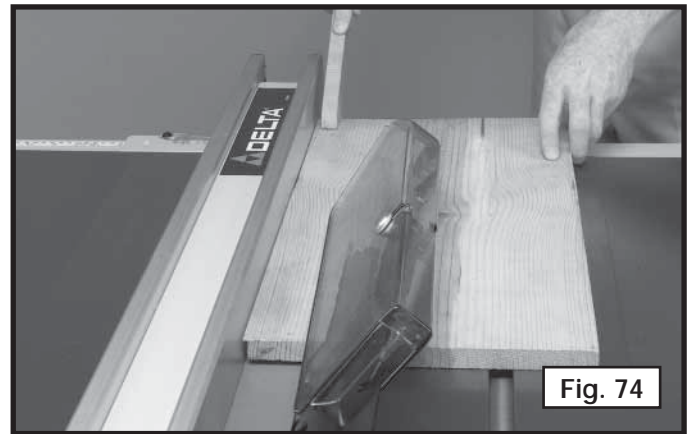


Fig. 74

USO DEL CABEZAL PORTACUCHILLA PARA MOLDURA

Se denomina moldura al corte con forma en el borde o en el frente de la pieza, realizado con un cabezal portacuchilla especial para molduras.

El cabezal para molduras consta de un cabezal portacuchilla en el que se pueden ensamblar cuchillas de acero de distintas formas. Cada una de las tres cuchillas de un juego se coloca en una ranura en el cabezal portacuchilla y se sujeta con un tornillo. Se debe evitar que se acumule aserrín en las ranuras de la cuchilla, ya que el aserrín no permite que la cuchilla se asiente correctamente.

⚠ PRECAUCIÓN: Para ciertas operaciones de corte (ranuras y molduras) en las que la pieza de trabajo no se corta totalmente, no se puede usar el ensamble de protector de hoja y hendidor. Afloje los tornillos en (G) y (H) fig. 76 levante y extraiga el ensamble de protector y hendedor (w).

⚠ ADVERTENCIA: Utilice varas para empujar, plantillas de guía, tablas de canto biselado u otras formas de sujeción para dirigir y controlar la pieza de trabajo cuando no pueda utilizar el protector.

NOTA: No se puede utilizar la brida externa del eje con el cabezal portacuchilla para moldura. Ajuste la tuerca de eje al cuerpo del cabezal portacuchilla. No pierda la brida externa del eje. Será necesaria al reajustar una hoja al eje.

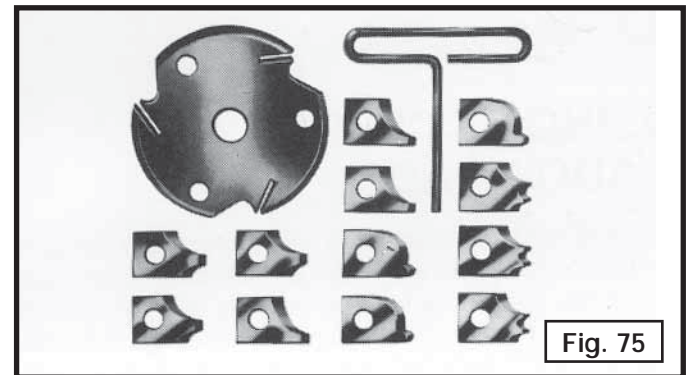


Fig. 75

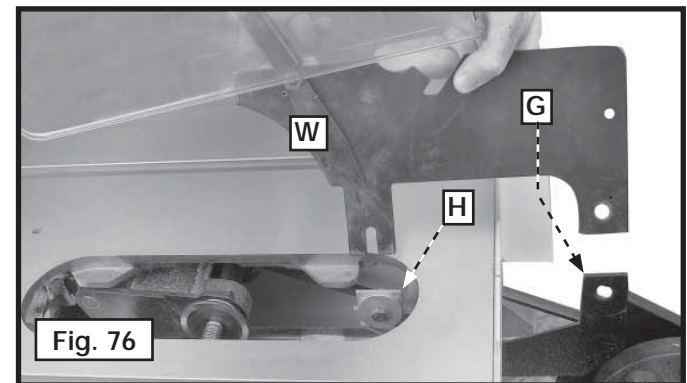


Fig. 76

⚠ ADVERTENCIA: Coloque y ajuste siempre el ensamble de protector de hoja y hendedor en su posición de funcionamiento adecuada para las operaciones normales.

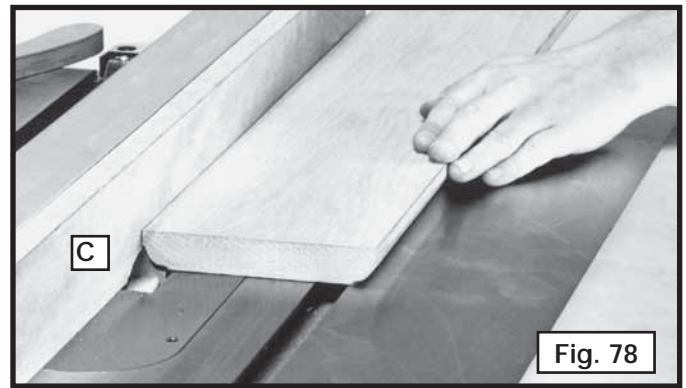
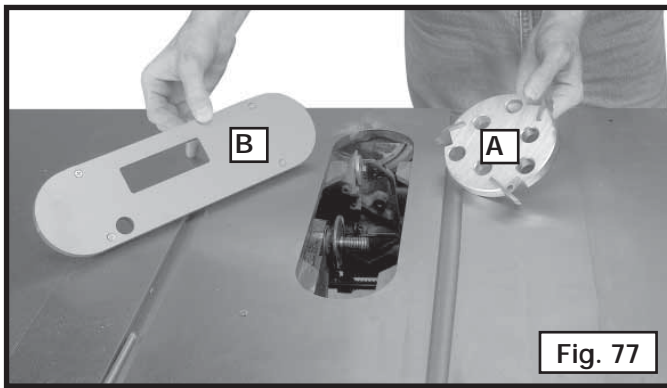
1. Usted puede conectar fácilmente un cabezal portacuchilla para moldura (A) ensamblado con el eje de la sierra. **Además, se debe usar el inserto para mesa de cabezal portacuchilla para moldura (B) en lugar del inserto para mesa estándar.**
2. Cuando use el cabezal portacuchilla para moldura, agregue un revestimiento de madera (C) al frente de la guía de corte (Fig. 78). El revestimiento de madera se sujeta a la guía con tornillos, a través de los orificios que se hacen en la guía. Cualquier material de 19,05 mm (3/4") de espesor es adecuado para la mayoría de los trabajos, aunque algunos trabajos pueden requerir revestimientos de 25,40 mm (1").
3. Coloque el revestimiento de madera sobre el cabezal portacuchilla, que debe estar por debajo de la superficie de la mesa. Encienda la sierra y levante el cabezal portacuchilla. El cabezal portacuchilla corta su propia ranura en el revestimiento de madera. La Fig. 78 muestra una operación para moldura típica.

⚠ ADVERTENCIA: No utilice un cabezal portacuchilla para moldura en la posición del bisel.

⚠ ADVERTENCIA: No pase el material entre la guía y el cabezal portacuchilla para moldura. La madera con forma irregular puede causar retroceso.

⚠ PRECAUCIÓN: Se debe prestar especial atención a la dirección de la veta. Realice todos los cortes en la misma dirección que la veta siempre que sea posible.

⚠ ADVERTENCIA: Siempre instale el protector de la hoja luego de que haya finalizado la operación.



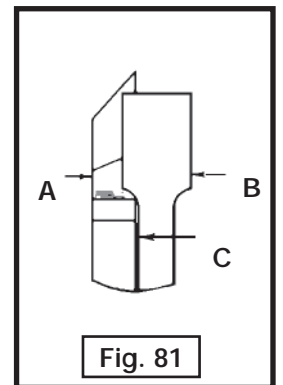
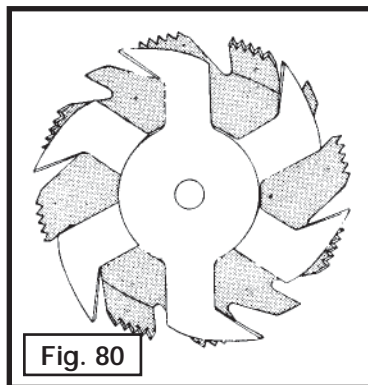
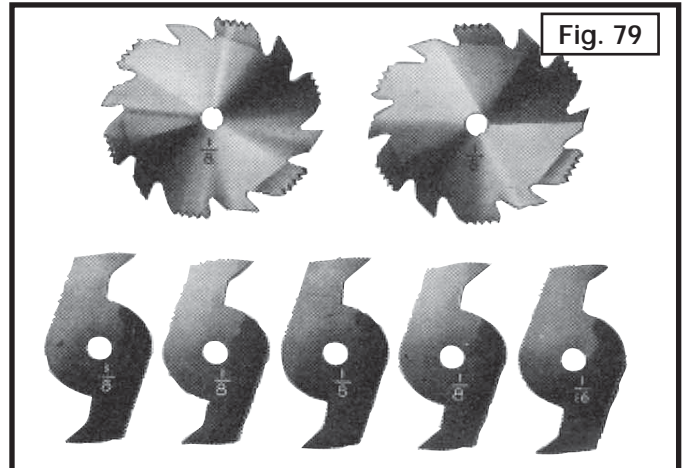
USO DEL INSERTO DE CABEZAL PARA RANURAS

⚠ ADVERTENCIA: El ensamble del protector de la hoja y el hendedor no puede ser utilizado al realizar ranuras o molduras. Debe ser retirado como se describe en la sección "USO DEL INSERTO DEL CABEZAL PORTACUCHILLA PARA MOLDURA".

⚠ ADVERTENCIA: Utilice varas para empujar, plantillas de guía, tablas de canto biselado u otras formas de sujeción para dirigir y controlar la pieza de trabajo cuando no pueda utilizar el protector.

⚠ PRECAUCIÓN: El inserto para mesa del Juego de cabezales para ranuras (E), FIG. 77 debe utilizarse en lugar del inserto estándar.

Cortar ranuras consiste en realizar un rebajo o surco ancho en la pieza de trabajo. La mayoría de los juegos de cabezales para ranuras están compuestos de dos sierras externas y cuatro o cinco cuchillas internas, (Fig. 80). Se utilizan diversas combinaciones de sierras y cuchillas para cortar ranuras desde 3,17 mm (1/8") hasta 20,63 mm (13/16") para la instalación de estantes y la realización de uniones, espigas, ranuras, etc. Las cuchillas son muy dentadas y deben estar dispuestas de tal modo que los dientes no se golpeen entre sí durante la rotación. La parte pesada de las cuchillas debe caer dentro de los pasos de las sierras externas, como muestra la Fig. 80. La superposición de la sierra y la cuchilla se distingue en la Fig. 81, siendo (A) la sierra externa, (B) una cuchilla interna y (C) una arandela o arandelas de papel, usadas según sea necesario para controlar el ancho exacto de la ranura. Para cortar una ranura de 6,35 mm (1/4") se utilizan dos sierras externas. Los dientes de las sierras deben estar ubicados de manera que el rastrillador de una sierra quede junto a los dientes de corte de la otra sierra.



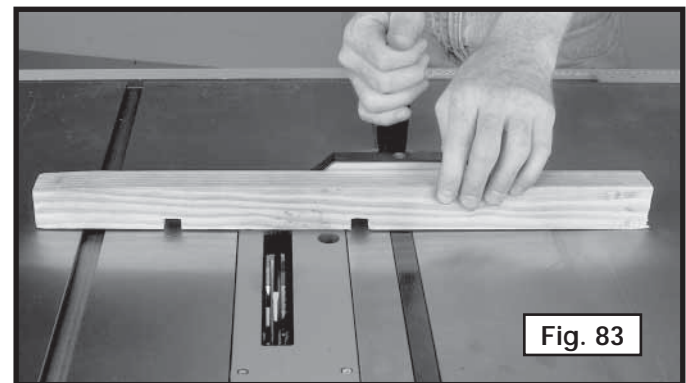
⚠ ADVERTENCIA: No intente apilar hajas para ranuras de un grosor mayor que 20mm (13/16"). No utilice hojas para ranuras de un largo mayor que 200 MM (8") de diametro.

Sujete el juego de cabezales para ranuras (D), Fig. 82, al eje de la sierra. Una operación típica del ranuras se muestra en Fig. 83

NOTA: Si la tuerca del eje no se ajusta completamente a la rosca en el eje, retire la brida externa del eje y ajuste la tuerca del eje contra el cuerpo del juego de cabezales para ranuras. No pierda la brida externa del eje. Sera necesaria al reajustar una hoja al eje.

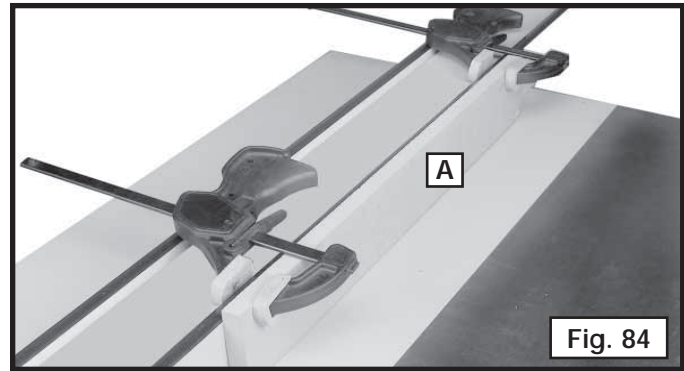
⚠ PRECAUCIÓN: Nunca utilice el cabezal para ranuras en la posición de biselado.

⚠ ADVERTENCIA: Siempre instale el protector de la haja y el inserto para mesa estandar luego de que haya finalizado la operacion.



UTILIZACIÓN DE REVESTIMIENTO DE MADERA AUXILIAR

El revestimiento es necesario al realizar operaciones especiales como el uso de cabezales portacuchillas para molduras para agregar un revestimiento de madera (a) fig. S22 a uno o ambos lados de la guía de corte. Según la guía que utilice, el revestimiento de madera se sujeta a la guía con tornillos para madera a través de orificios realizados en la guía o con dos abrazaderas (como muestra la fig. S22). Para la mayoría de los trabajos, cualquier material de 19,1 mm (3/4") es adecuado, aunque ciertos trabajos pueden requerir un revestimiento de 25,4 mm (1").

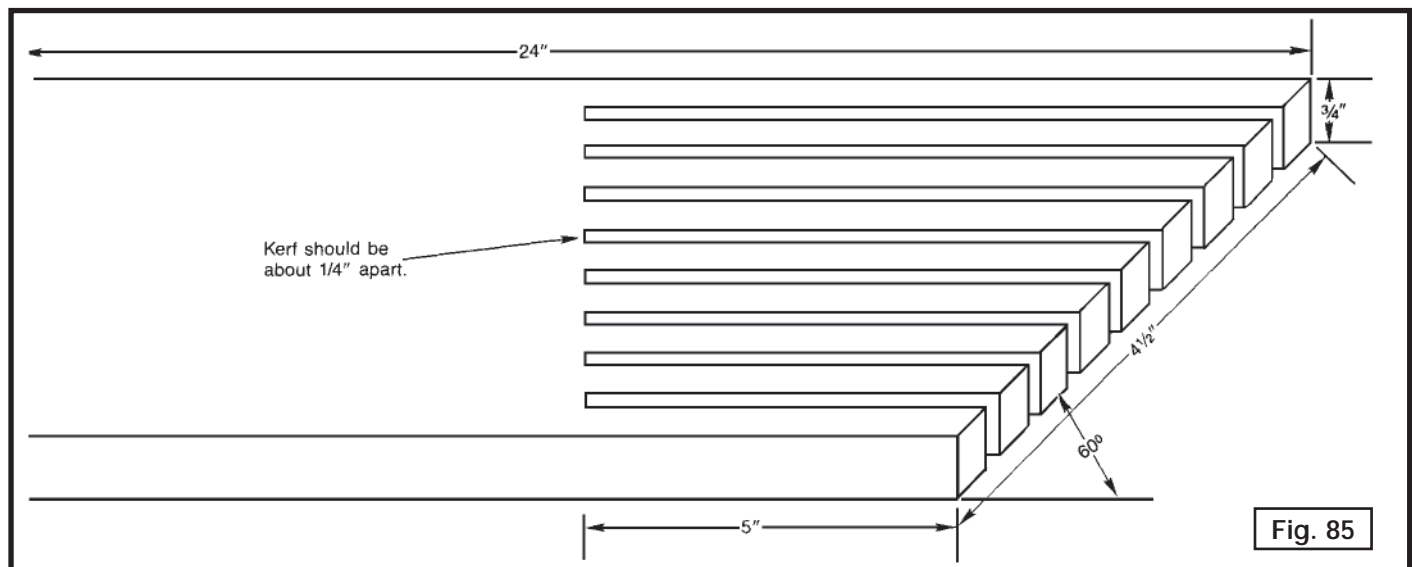


CONSTRUCCIÓN DE UNA TABLA DE CANTO BISELADO

La Fig. S23 ilustra las dimensiones para realizar una tabla de canto biselado típica. El material de la tabla de canto biselado debe ser una pieza de madera recta que no tenga nudos ni grietas. Las tablas de canto biselado se utilizan para mantener el trabajo en contacto con la guía y la mesa, como muestra la Fig. S24, y para prevenir retrocesos. Sujete la tabla de canto biselado a la guía y la mesa de modo que el borde guía de la tabla de canto biselado sostenga la pieza de trabajo hasta que se complete el corte. Se puede sujetar una tabla plana de 20 cm (8") de altura a la guía de corte, y una tabla de canto biselado a la tabla de 20 cm (8").

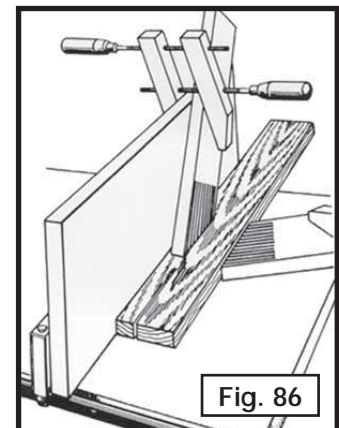
Utilice tablas de canto biselado para todas las operaciones que no sean longitudinales o transversales, donde no se pueda utilizar el ensamble de protector y hendedor. Siempre vuelva a colocar el ensamble de protector y hendedor cuando la operación haya finalizado. asegúrese de que la tabla de canto biselado presione sólo la parte de la pieza

⚠ ADVERTENCIA: Se encuentra al frente de la hoja.



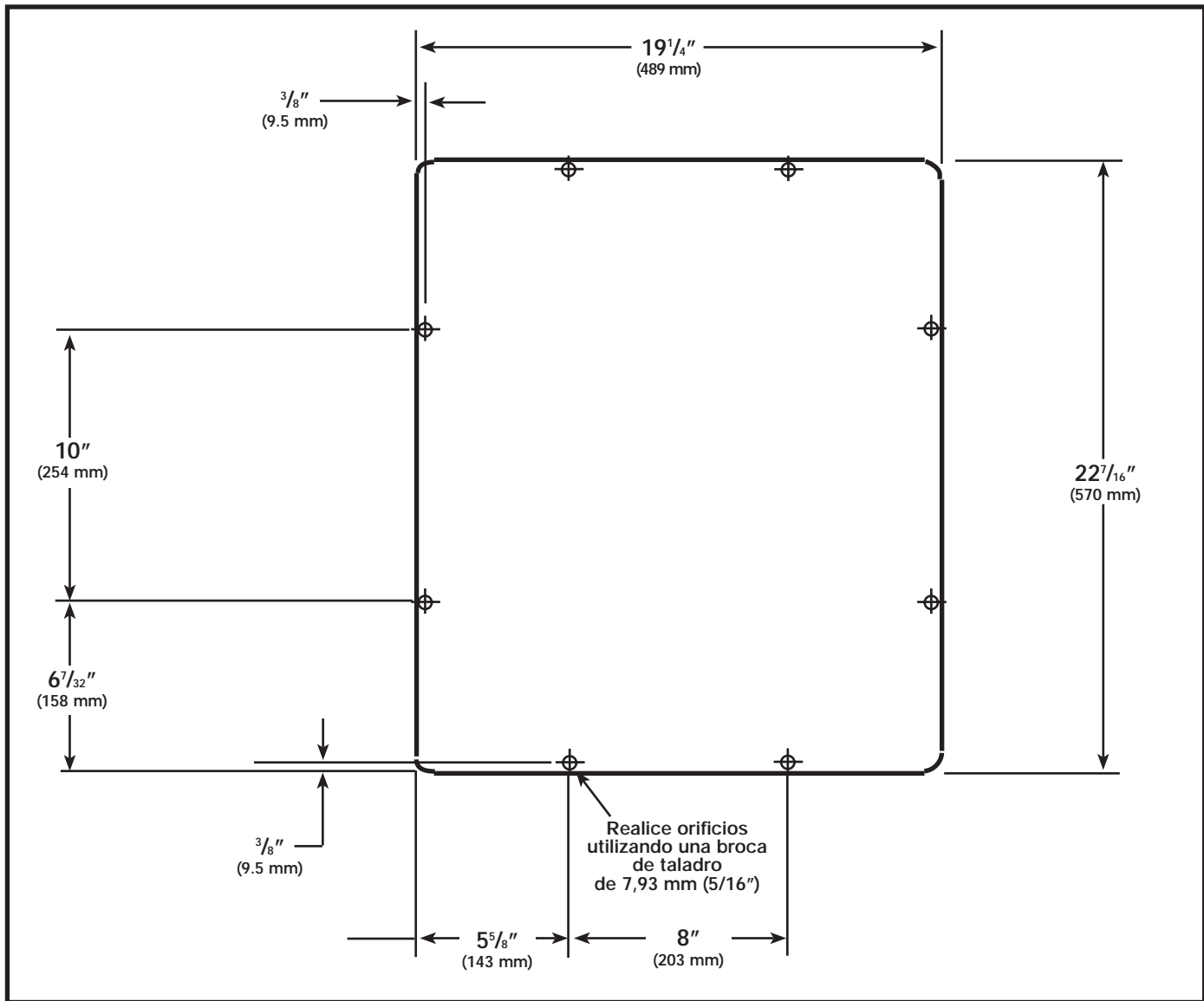
Puede obtener más información acerca del funcionamiento seguro y adecuado de las sierras de mesa en el Manual de instrucciones "Cómo aprovechar su sierra para mesa al máximo" Delta Número de Catálogo 11-400. También puede obtener información adicional acerca de la seguridad de las sierras para mesa, incluido un video con instrucciones de seguridad para sierras para mesa, en:

Instituto de Herramientas Eléctricas
(Power tool institute)
1300 Sumner Avenue
Cleveland, OH 44115-2851
www.powertoolinstitute.com



MEDIDAS DEL ESTANTE

Si desea construir un estante para su sierra, utilice el siguiente diagrama para el tamaño de la madera contrachapada y la colocación de los orificios. Asegúrese de sujetar el estante a la base y al juego de movilidad cuando todavía esté dado vuelta durante el procedimiento de montaje. Una vez cortado, el estante se sujeta pasando tornillos para madera a través de los orificios en los aleros de los soportes para las patas.



LOCALIZACION DE FALLAS

Para obtener asistencia para su máquina, visite nuestro sitio Web en www.deltamachinery.com para tener acceso a una lista de centros de servicio o llame a la línea de ayuda de Delta Machinery al 1-800-223-7278. (En Canadá, llame al 1-800-463-3582.)

MANTENIMIENTO

MANTENGA LA MÁQUINA LIMPIA

Periódicamente sople por todas las entradas de aire con aire comprimido seco. Todas las piezas de plástico deben limpiarse con un paño suave y húmedo. NUNCA utilice solventes para limpiar las piezas de plástico. Podrían derretirse o dañar el material.

⚠ ADVERTENCIA Utilice equipo de seguridad certificado para proteger sus ojos, oídos y vías respiratorias cuando use aire comprimido.

FALLA EN EL ENCENDIDO

Si la máquina no enciende, verifique que las patas del enchufe del cable hagan buen contacto en el tomacorriente. Además, revise que no hayan fusibles quemados o interruptores automáticos de circuito abierto en la línea.

LUBRICACIÓN Y PROTECCIÓN CONTRA ÓXIDO

Aplique semanalmente cera en pasta para pisos a la mesa de la máquina y a la extensión u otra superficie de trabajo. También puede usar productos protectores disponibles en comercios y diseñados con este propósito. Siga las instrucciones del fabricante para su uso y seguridad. Para limpiar el óxido de las mesas de hierro fundido, necesitará los siguientes materiales: 1 hoja de Almohadilla Manual para Matizado mediana Scotch-Brite™, 1 lata de WD-40® y 1 lata de desgrasador. Aplique el WD-40 y pule la superficie de la mesa con la almohadilla Scotch-Brite. Desgrase la mesa y luego aplique el producto protector como se muestra más arriba.

SERVICIO

PIEZAS DE REPUESTO

Utilice sólo piezas de repuesto idénticas. Para obtener una lista de piezas o para solicitar piezas, visite nuestro sitio web en servicenet.deltamachinery.com. También puede solicitar piezas en nuestro centro más cercano, o llamando a nuestro Centro de atención al cliente al 1-800-223-7278 para obtener asistencia personalizada de nuestros técnicos capacitados.

MANTENIMIENTO Y REPARACIONES

Con el paso del tiempo, todas las herramientas de calidad requieren mantenimiento o reemplazo de las piezas. Para obtener información acerca de Delta Machinery, sus sucursales propias o un Centro de mantenimiento con garantía autorizado, visite nuestro sitio web en www.deltamachinery.com o llame a nuestro Centro de atención al cliente al 1-800-223-7278. Todas las reparaciones realizadas por nuestros centros de mantenimiento están completamente garantizadas en relación con los materiales defectuosos y la mano de obra. No podemos otorgar garantías en relación con las reparaciones ni los intentos de reparación de otras personas.

También puede escribirnos solicitando información a Delta Machinery, 4825 Highway 45 North, Jackson, Tennessee 38305 - Mantenimiento de productos. Asegúrese de incluir toda la información mencionada en la placa de la herramienta (número de modelo, tipo, número de serie, etc.)

ACCESORIOS

Una línea completa de accesorios está disponible de su surtidor de Porter-Cable • Delta, centros de servicio de la fábrica de Porter-Cable • Delta, y estaciones autorizadas delta. Visite por favor nuestro Web site www.deltamachinery.com para un catálogo o para el nombre de su surtidor más cercano.

⚠ ADVERTENCIA Puesto que los accesorios con excepción de éstos ofrecidos por Delta no se han probado con este producto, el uso de tales accesorios podría ser peligroso. Para la operación más segura, solamente el delta recomendó los accesorios se debe utilizar con este producto.

GARANTÍA

Para registrar la herramienta para obtener el mantenimiento cubierto por la garantía de la herramienta, visite nuestro sitio web en www.deltamachinery.com.

Garantía limitada de dos años para productos nuevos

Delta reparará o reemplazará, a expensas y opción propias, cualquier máquina nueva, pieza de máquina nueva o accesorio de máquina nuevo Delta que durante el uso normal haya presentado defectos de fabricación o de material, siempre que el cliente devuelva el producto con el transporte prepagado a un centro de servicio de fábrica Delta o una estación de servicio autorizado Delta, con un comprobante de compra del producto, dentro del plazo de dos años y dé a Delta una oportunidad razonable de verificar el supuesto defecto mediante la realización de una inspección. Para todos los productos Delta reacondicionados, el periodo de garantía es de 180 días. Delta podrá requerir que los motores eléctricos sean devueltos con el transporte prepagado a una estación autorizada de un fabricante de motores para ser sometidos a inspección y reparación o para ser reemplazados. Delta no será responsable de ningún defecto alegado que haya resultado del desgaste normal, uso indebido, abuso o reparación o alteración realizada o autorizada específicamente por alguien que no sea un centro de servicio autorizado Delta o un representante autorizado Delta. Delta no será responsable en ninguna circunstancia de los daños incidentales o emergentes que se produzcan como resultado de productos defectuosos. Esta garantía es la única garantía de Delta y establece el recurso exclusivo del cliente en lo que respecta a los productos defectuosos; Delta rechaza expresamente todas las demás garantías, expresas o implícitas, tanto de comerciabilidad como de idoneidad para un propósito o de cualquier otro tipo.

The gray & black color scheme is a trademark for Porter-Cable Power Tools and Accessories. The following are also trademarks for one or more Porter-Cable and Delta products: • L'agencement de couleurs grise et noire est une marque de commerce des outils électriques et accessoires Porter-Cable. Les marques suivantes sont également des marques de commerce se rapportant à un ou plusieurs produits Porter-Cable ou Delta : • El gráfico de color negro y gris es una marca registrada para las herramientas eléctricas y los accesorios Porter-Cable. Las siguientes también son marcas comerciales para uno o más productos de Porter-Cable y Delta: 2 BY 4[®], 890[®], Air America[®], AIRBOSS[™], Auto-Set[®], B.Q.S.S.[®], Bammer[®], Biesemeyer[®], Builders Saw[®], Charge Air[®], Charge Air Pro[®], CONTRACTOR SUPERDUTY[®], Contractor's Saw[®], Delta[®], DELTA[®], Delta Industrial[®], DELTA MACHINERY & DESIGN[®], Delta Shopmaster and Design[®], Delta X5[®], Deltacraft[®], DELTAGRAM[®], Do It. Feel It.[®], DUAL LASERLOC AND DESIGN[®], EASY AIR[®], EASY AIR TO GO[™], ENDURADIAMOND[®], Ex-Cell[®], Front Bevel Lock[®], Get Yours While the Sun Shines[®], Grip to Fit[®], GRIPVAC[™], GTF[®], HICKORY WOODWORKING[®], Homecraft[®], HP FRAMER HIGH PRESSURE[®], IMPACT SERIES[®], Innovation That Works[®], Jet-Lock[®], Job Boss[®], Kickstand[®], LASERLOC[®], LONG-LASTING WORK LIFE[®], MAX FORCE[™], MAX LIFE[®], Micro-Set[®], Midi-Lathe[®], Monsoon[®], MONSTER-CARBIDE[™], Network[®], OLDHAM[®], Omnijig[®], PC EDGE[®], Performance Crew[®], Performance Gear[®], Pocket Cutter[®], Porta-Band[®], Porta-Plane[®], Porter Cable[®], Porter-Cable Professional Power Tools[®], Powerback[®], POZI-STOP[™], Pressure Wave[®], PRO 4000[®], Proair[®], Quicksand and Design[®], Quickset II[®], QUIET DRIVE TECHNOLOGY[™], QUIET DRIVE TECHNOLOGY AND DESIGN[™], Quik-Change[®], QUIK-TILT[®], RAPID-RELEASE[™], RAZOR[®], Redefining Performance[®], Riptide[®], Safe Guard II[®], Sand Trap and Design[®], Sanding Center[®], Saw Boss[®], Shop Boss[®], Sidekick[®], Site Boss[®], Speed-Bloc[®], Speedmatic[®], Stair Ease[®], Steel Driver Series[®], SUPERDUTY[®], T4 & DESIGN[®], THE AMERICAN WOODSHOP[®], THE PROFESSIONAL EDGE[®], Thin-Line[®], Tiger Saw[®], TIGERCLAW[®], TIGERCLAW AND DESIGN[®], Torq-Buster[®], TRU-MATCH[™], T-Square[®], Twinlaser[®], Unifence[®], Uniguard[®], UNIRIP[®], UNISAW[®], UNITED STATES SAW[®], Veri-Set[®], Versa-Feeder[®], VIPER[®], VT[™], VT RAZOR[™], Water Driver[®], WATER VROOM[®], Waveform[®], Whisper Series[®], X5[®], YOUR ACHIEVEMENT. OUR TOOLS.[®]

Trademarks noted with ® are registered in the United States Patent and Trademark Office and may also be registered in other countries. Other trademarks may apply. • Les marques de commerce suivies du symbole ® sont enregistrées auprès du United States Patent and Trademark Office et peuvent être enregistrées dans d'autres pays. D'autres marques de commerce peuvent également être applicables. • Las marcas comerciales con el símbolo ® están registradas en la Oficina de patentes y marcas comerciales de Estados Unidos (United States Patent and Trademark Office), y también pueden estar registradas en otros países. Posiblemente se apliquen otras marcas comerciales registradas.



Delta Machinery
 4825 Highway 45 North
 Jackson, TN 38305
 (800) 223-7278
 www.deltamachinery.com

Free Manuals Download Website

<http://myh66.com>

<http://usermanuals.us>

<http://www.somanuals.com>

<http://www.4manuals.cc>

<http://www.manual-lib.com>

<http://www.404manual.com>

<http://www.luxmanual.com>

<http://aubethermostatmanual.com>

Golf course search by state

<http://golfingnear.com>

Email search by domain

<http://emailbydomain.com>

Auto manuals search

<http://auto.somanuals.com>

TV manuals search

<http://tv.somanuals.com>