

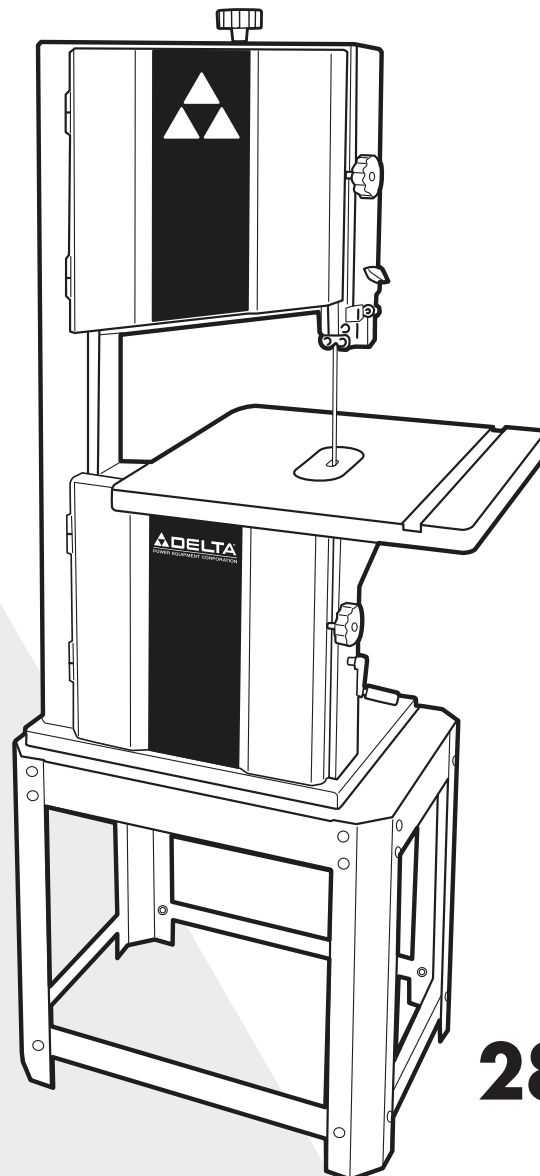
# DELTA<sup>®</sup>

POWER EQUIPMENT CORPORATION

## 14 IN. STEEL FRAME BAND SAW

Scie à ruban  
avec structure en acier  
355,6 mm (14 po)

Sierra cinta de bastidor  
de acero de 355.6 mm  
(14 pulg.)



Français (20)

Español (38)

[www.DeltaMachinery.com](http://www.DeltaMachinery.com)

**Instruction Manual**  
Manuel d'utilisation  
Manual de instrucciones

INSTRUCTIVO DE OPERACIÓN, CENTROS  
DE SERVICIO Y PÓLIZA DE GARANTÍA.

**▲ ADVERTENCIA:** LÉASE ESTE INSTRUCTIVO  
ANTES DE USAR EL PRODUCTO.

# 28-400



# TABLE OF CONTENTS

IMPORTANT SAFETY INSTRUCTIONS.....	2	OPERATION .....	12
SAFETY GUIDELINES - DEFINITIONS .....	3	STARTING AND STOPPING THE SAW .....	12
GENERAL SAFETY RULES .....	3	Using the Safety Key to Lock the	
ADDITIONAL SPECIFIC SAFETY RULES .....	4	Switch In the "Off" Position.....	12
POWER CONNECTIONS .....	5	Selecting Proper Cutting Speed .....	12
MOTOR SPECIFICATIONS .....	5	Tilting the Table.....	13
GROUNDING INSTRUCTIONS .....	5	Positioning The Upper Blade Guide.....	13
EXTENSION CORDS .....	6	Cutting Curves.....	14
KEY FEATURES AND COMPONENTS .....	7	ADJUSTMENTS.....	14
FUNCTIONAL DESCRIPTION .....	7	Adjusting the Blade Tension.....	14
PRODUCT SPECIFICATIONS.....	8	Adjusting the Blade Guides and Bearings .....	15
UNPACKING .....	8	Adjusting the Blade Tracking.....	15
ASSEMBLY .....	9	MAINTENANCE PROCEDURES .....	16
Stand Assembly .....	9	Lubrication .....	16
Secure Table To Table Trunnion System .....	9	TROUBLE SHOOTING .....	16
Attach the Saw to the Stand .....	9	ABOUT BAND SAW BLADES .....	18
Install Blade Tensioning Knob .....	10	TIPS .....	18
Install Band Saw Blade .....	10	ACCESSORIES .....	18
Adjust the Blade Tracking .....	11	WARRANTY .....	18
Insert Throat Plate .....	11	REPLACEMENT PARTS.....	19
Square Table to Blade .....	11	SERVICE AND REPAIRS.....	19
		FRANÇAIS.....	20
		ESPAÑOL .....	38

## IMPORTANT SAFETY INSTRUCTIONS

**⚠ WARNING:** READ AND UNDERSTAND ALL WARNINGS AND OPERATING INSTRUCTIONS BEFORE USING THIS EQUIPMENT. Failure to follow all instructions listed below, may result in electric shock, fire, and/or serious personal injury or property damage.

Woodworking can be dangerous if safe and proper operating procedures are not followed. As with all machinery, there are certain hazards involved with the operation of the product. Using the machine with respect and caution will considerably lessen the possibility of personal injury. However, if normal safety precautions are overlooked or ignored, personal injury to the operator may result. Safety equipment such as guards, push sticks, hold-downs, featherboards, goggles, dust masks and hearing protection can reduce your potential for injury. But even the best guard won't make up for poor judgment, carelessness or inattention. **Always use common sense** and exercise caution in the workshop. If a procedure feels dangerous, don't try it. Figure out an alternative procedure that feels safer. **REMEMBER:** Your personal safety is your responsibility. For additional information please visit our website [www.DeltaMachinery.com](http://www.DeltaMachinery.com).



**⚠ WARNING:** This machine was designed for certain applications only. DELTA® Power Equipment Corporation strongly recommends that this machine not be modified and/or used for any application other than that for which it was designed. If you have any questions relative to a particular application, DO NOT use the machine until you have first contacted DELTA® to determine if it can or should be performed on the product.

If you have any questions relative to its application DO NOT use the product until you have written DELTA® Power Equipment Corporation and we have advised you. Contact us online at [www.DeltaMachinery.com](http://www.DeltaMachinery.com) or by mail at Technical Service Manager, DELTA® Power Equipment Corporation, 99 Roush Street, Anderson, SC 29625.

Information regarding the safe and proper operation of this tool is available from the following sources:

- Power Tool Institute, 1300 Sumner Avenue, Cleveland, OH 44115-2851 or online at [www.powertoolinstitute.com](http://www.powertoolinstitute.com)
- National Safety Council, 1121 Spring Lake Drive, Itasca, IL 60143-3201
- American National Standards Institute, 25 West 43rd Street, 4 floor, New York, NY 10036 [www.ansi.org](http://www.ansi.org) - ANSI 01.1 Safety Requirements for Woodworking Machines
- U.S. Department of Labor regulations [www.osha.gov](http://www.osha.gov)

# SAFETY GUIDELINES - DEFINITIONS

This manual contains information that is important for you to know and understand. This information relates to protecting YOUR SAFETY and PREVENTING EQUIPMENT PROBLEMS. To help you recognize this information, we use the symbols below. Please read the manual and pay attention to these sections.

**⚠ DANGER:** Indicates an imminently hazardous situation which, if not avoided, will result in death or serious injury.

**⚠ WARNING:** Indicates a potentially hazardous situation which, if not avoided, could result in death or serious injury.

**⚠ CAUTION:** Indicates a potentially hazardous situation which, if not avoided, may result in minor or moderate injury.

**CAUTION** Used without the safety alert symbol indicates potentially hazardous situation which, if not avoided, may result in property damage.

## GENERAL SAFETY RULES

**⚠ WARNING:** WARNING FAILURE TO FOLLOW THESE RULES MAY RESULT IN SERIOUS PERSONAL INJURY.

- **FOR YOUR OWN SAFETY, READ AND UNDERSTAND THE INSTRUCTION MANUAL BEFORE OPERATING THE UNIT.** Learn the unit's application and limitations as well as the specific hazards peculiar to it.
- **KEEP WORK AREA CLEAN.** Cluttered areas and benches invite accidents.
- **DON'T USE IN DANGEROUS ENVIRONMENT.** Don't use this unit in damp or wet locations, or expose it to rain. Keep work area well-lighted.
- **KEEP CHILDREN AND VISITORS AWAY.** All children and visitors should be kept a safe distance from work area.
- **DISCONNECT UNIT** before servicing.
- **CHECK DAMAGED PARTS.** Before further use of the unit, properly repair or replace any part that is damaged.

**⚠ WARNING:** FAILURE TO FOLLOW THESE RULES MAY RESULT IN SERIOUS INJURY.

1. Read and understand the warnings posted on the machine and in this manual. Failure to comply with all of these warnings may cause serious injury.
2. Replace the warning labels if they become obscured or removed.
3. This machine is designed and intended for use by properly trained and experienced personnel only. If you are not familiar with the proper and safe operation of a band saw, do not use until proper training and knowledge have been obtained.
4. Do not use this machine for other than its intended use. If used for other purposes, DELTA® Power Equipment Corporation disclaims any real or implied warranty and holds itself harmless from any injury that may result from that use.
5. Always wear approved safety glasses/face shields while using this band saw.
6. Before operating this band saw, remove tie, rings, watches and other jewelry, and roll sleeves up past the elbows. Remove all loose clothing and confine long hair. Non-slip footwear or anti-skid floor strips are recommended. Do not wear gloves.
7. Wear ear protectors (plugs or muffs) during extended periods of operation.
8. Some dust created by power sanding, sawing, grinding, drilling and other construction activities contain chemicals known to cause cancer, birth defects or other reproductive harm. Some examples of these chemicals are:
  - Lead from lead based paint.
  - Crystalline silica from bricks, cement and other masonry products.
  - Arsenic and chromium from chemically treated lumber.
9. Your risk of exposure varies, depending on how often you do this type of work. To reduce your exposure to these chemicals, work in a well-ventilated area and work with approved safety equipment, such as face or dust masks that are specifically designed to filter out microscopic particles.
10. Do not operate this machine while tired or under the influence of drugs, alcohol or any medication.
11. Make certain the switch is in the OFF position before connecting the machine to the power source.
12. Make certain the machine is properly grounded.
13. Make all machine adjustments or maintenance with the machine unplugged from the power source.
14. Form a habit of checking to see that all extra equipment such as adjusting keys, wrenches, scrap, stock, and cleaning rags are removed away from the machine before turning on.

*continued on page 4*

14. Keep safety guards in place at all times when the machine is in use. If removed for maintenance purposes, use extreme caution and replace the guards immediately when maintenance is complete.
15. Make sure the tool is firmly secured to the floor before use.
16. Check damaged parts. Before further use of the machine, a guard or other part that is damaged should be carefully checked to determine that it will operate properly and perform its intended function. Check for alignment of moving parts, binding of moving parts, breakage of parts, mounting and any other conditions that may affect its operation. A guard or other part that is damaged should be properly repaired or replaced.
17. Provide for adequate space surrounding work area and non-glare, overhead lighting.
18. Keep the floor around the machine clean and free of scrap material, oil and grease.
19. Keep visitors a safe distance from the work area. Keep children away.
20. Make your workshop child proof with padlocks, master switches or by removing starter keys.
21. Give your work undivided attention. Looking around, carrying on a conversation and "horse-play" are careless acts that can result in serious injury.
22. Maintain a balanced stance at all times so that you do not fall or lean against the tool or its moving parts. Do not overreach or use excessive force to perform any machine operation.
23. Use the right tool at the correct speed and feed rate. Do not force a tool or attachment to do a job for which it was not designed. The right tool will do the job better and safer.
24. Use recommended accessories; improper accessories may be hazardous.
25. Maintain machinery with care. Follow instructions for lubricating and changing accessories.
26. Turn off the machine before cleaning. Use a brush or compressed air to remove dust or debris — do not use your hands.
27. Do not stand on the machine. Serious injury could occur if the machine tips over.
28. Never leave the machine running unattended. Turn the power off and do not leave the machine until it comes to a complete stop.
29. At all times, hold the stock firmly.
30. Do not use this tool for other than its intended use. If used for other purposes, DELTA® Power Equipment Corporation disclaims any real or implied warranty and holds itself harmless for any injury or damage which may result from that use.

Familiarize yourself with the following safety notices used in this manual:

**⚠ CAUTION:**

This means that if precautions are not heeded, it may result in minor injury and/or possible machine damage.

**⚠ WARNING:**

This means that if precautions are not heeded, it may result in serious injury or possibly even death.

## ADDITIONAL SPECIFIC SAFETY RULES

1. Use proper blade size and type.
2. Adjust the upper blade guide so that it is about 1/8" above the workpiece.
3. Properly adjust the blade tension, tracking, blade guides, and blade support bearings.
4. Never start the machine with the workpiece against the blade.
5. Hold workpiece firmly and feed into blade at a moderate speed.
6. Turn the machine "off" to back out of an uncompleted or jammed cut.
7. Make "relief" cuts prior to cutting long curves.
8. Turn the machine "off" and wait for the blade to stop prior to cleaning the blade area, removing debris near the blade, removing or securing workpiece, or changing the angle of the table. A coasting blade can be dangerous.

### SAVE THESE INSTRUCTIONS.

Refer to them often and use them to instruct others.

# POWER CONNECTIONS

A separate electrical circuit should be used for your machines. This circuit should not be less than #12 wire and should be protected with a 20 Amp time lag fuse. If an extension cord is used, use only 3-wire extension cords which have 3-prong grounding type plugs and matching receptacle which will accept the machine's plug. Before connecting the machine to the power line, make sure the switch (s) is in the "OFF" position and be sure that the electric current is of the same characteristics as indicated on the machine. All line connections should make good contact. Running on low voltage will damage the machine.

**⚠ DANGER:** DO NOT EXPOSE THE MACHINE TO RAIN OR OPERATE THE MACHINE IN DAMP LOCATIONS.

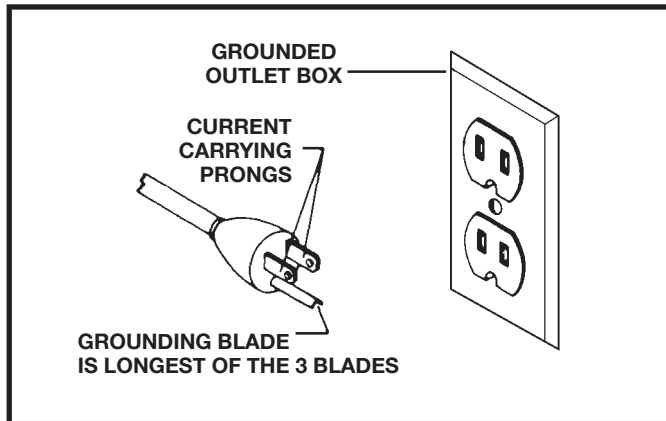


FIG. A

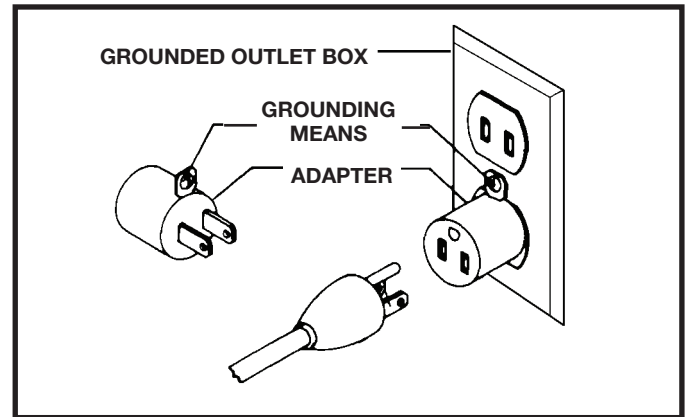


FIG. B

## MOTOR SPECIFICATIONS

Your machine is wired for 120/240 volts, 60 HZ alternating current. Before connecting the machine to the power source, make sure the switch is in the "OFF" position.

## GROUNDING INSTRUCTIONS

**⚠ DANGER:** THIS MACHINE MUST BE GROUNDED WHILE IN USE TO PROTECT THE OPERATOR FROM ELECTRIC SHOCK.

### 1. All grounded, cord-connected machines:

In the event of a malfunction or breakdown, grounding provides a path of least resistance for electric current to reduce the risk of electric shock. This machine is equipped with an electric cord having an equipment-grounding conductor and a grounding plug. The plug must be plugged into a matching outlet that is properly installed and grounded in accordance with all local codes and ordinances.

Do not modify the plug provided - if it will not fit the outlet, have the proper outlet installed by a qualified electrician.

Improper connection of the equipment-grounding conductor can result in risk of electric shock. The conductor with insulation having an outer surface that is green with or without yellow stripes is the equipment-grounding conductor. If repair or replacement of the electric cord or plug is necessary, do not connect the equipment-grounding conductor to a live terminal.

Check with a qualified electrician or service personnel if the grounding instructions are not completely understood, or if in doubt as to whether the machine is properly grounded.

Use only 3-wire extension cords that have 3-prong grounding type plugs and matching 3-conductor receptacles that accept the machine's plug, as shown in Fig. A.

Repair or replace damaged or worn cord immediately.

### 2. Grounded, cord-connected machines intended for use on a supply circuit having a nominal rating less than 150 volts:

If the machine is intended for use on a circuit that has an outlet that looks like the one illustrated in Fig. A, the machine will have a grounding plug that looks like the plug illustrated in Fig. A. A temporary adapter, which looks like the adapter illustrated in Fig. B, may be used to connect this plug to a matching 2-conductor receptacle as shown in Fig. B if a properly grounded outlet is not available. The temporary adapter should be used only until a properly

grounded outlet can be installed by a qualified electrician. The green-colored rigid ear, lug, and the like, extending from the adapter must be connected to a permanent ground such as a properly grounded outlet box. Whenever the adapter is used, it must be held in place with a metal screw.

**NOTE:** In Canada, the use of a temporary adapter is not permitted by the Canadian Electric Code.

In all cases, make certain that the receptacle in question is properly grounded. If you are not sure, have a qualified electrician check the receptacle.

**⚠ DANGER:** IN ALL CASES, MAKE CERTAIN THE RECEPTACLE IN QUESTION IS PROPERLY GROUNDED. IF YOU ARE NOT SURE, HAVE A QUALIFIED ELECTRICIAN CHECK THE RECEPTACLE.

### 3. 240 VOLT Single-Phase Operation:

The motor supplied with your machine is a dual voltage, 120/240 volt motor. It is shipped ready-to-run for 120 volt operation. However, it can be converted for 240 volt operation.

A qualified electrician should do the conversion, or the machine can be taken to an Authorized Delta Service Center. When completed, the machine must conform to the National Electric Code and all local codes and ordinances.

The machine is converted by re-wiring the motor for 240 volts, installing a 240 volt plug on the power supply cord and replacing the switch with one that is rated for 240 volt operation. Be sure the 240 volt plug is only used in an outlet having the same configuration as the plug illustrated in Fig. C. No adapter should be used with the 240 volt plug.

**⚠ DANGER:** IN ALL CASES, MAKE CERTAIN THE RECEPTACLE IN QUESTION IS PROPERLY GROUNDED. IF YOU ARE NOT SURE, HAVE A QUALIFIED ELECTRICIAN CHECK THE RECEPTACLE.

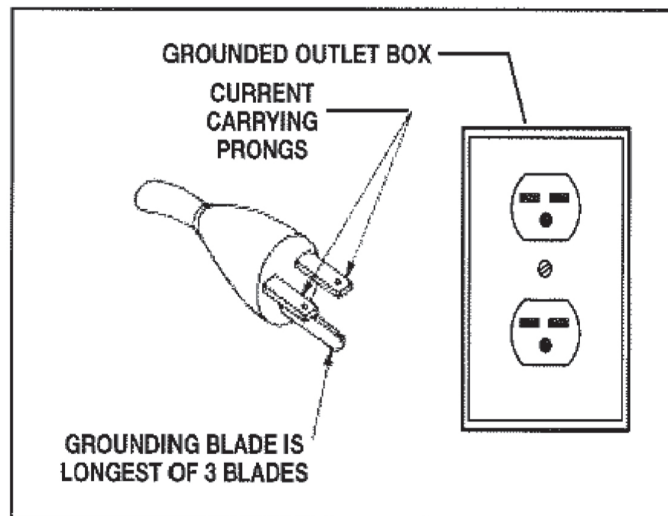


FIG. C

## EXTENSION CORDS

**⚠ CAUTION:** Use proper extension cords. Make sure your extension cord is in good condition and is a 3-wire extension cord which has a 3-prong grounding type plug and matching receptacle which will accept the machine's plug. When using an extension cord, be sure to use one heavy enough to carry the current of the machine. An undersized cord will cause a drop in line voltage, resulting in loss of power and overheating. The table shows the correct gauge to use depending on the cord length. If in doubt, use the next heavier gauge. The smaller the gauge number, the heavier the cord.

MINIMUM GAUGE EXTENSION CORD			
RECOMMENDED SIZES FOR USE WITH STATIONARY ELECTRIC MACHINES			
Ampere Rating	Volts	Total Length of Cord in Feet	Gauge of Extension Cord
0-6	120	up to 25	18 AWG
		25-50	16 AWG
		50-100	16 AWG
		100-150	14 AWG
6-10	120	up to 25	18 AWG
		25-50	16 AWG
		50-100	14 AWG
		100-150	12 AWG
10-12	120	up to 25	16 AWG
		25-50	16 AWG
		50-100	14 AWG
		100-150	12 AWG
12-16	120	up to 25	14 AWG
		25-50	12 AWG
		GREATER THAN 50 FEET NOT RECOMMENDED	



# KEY FEATURES AND COMPONENTS

- A. Blade Tensioning Knob
- B. Upper Wheel Guard
- C. Power Switch
- D. Cast Iron Tilting Table
- E. Blade Guide Assembly
- F. Miter Gauge T-Slot
- G. Lower Wheel Guard
- H. 1 HP Motor
- I. Belt Tensioning Handle
- J. Tool Stand

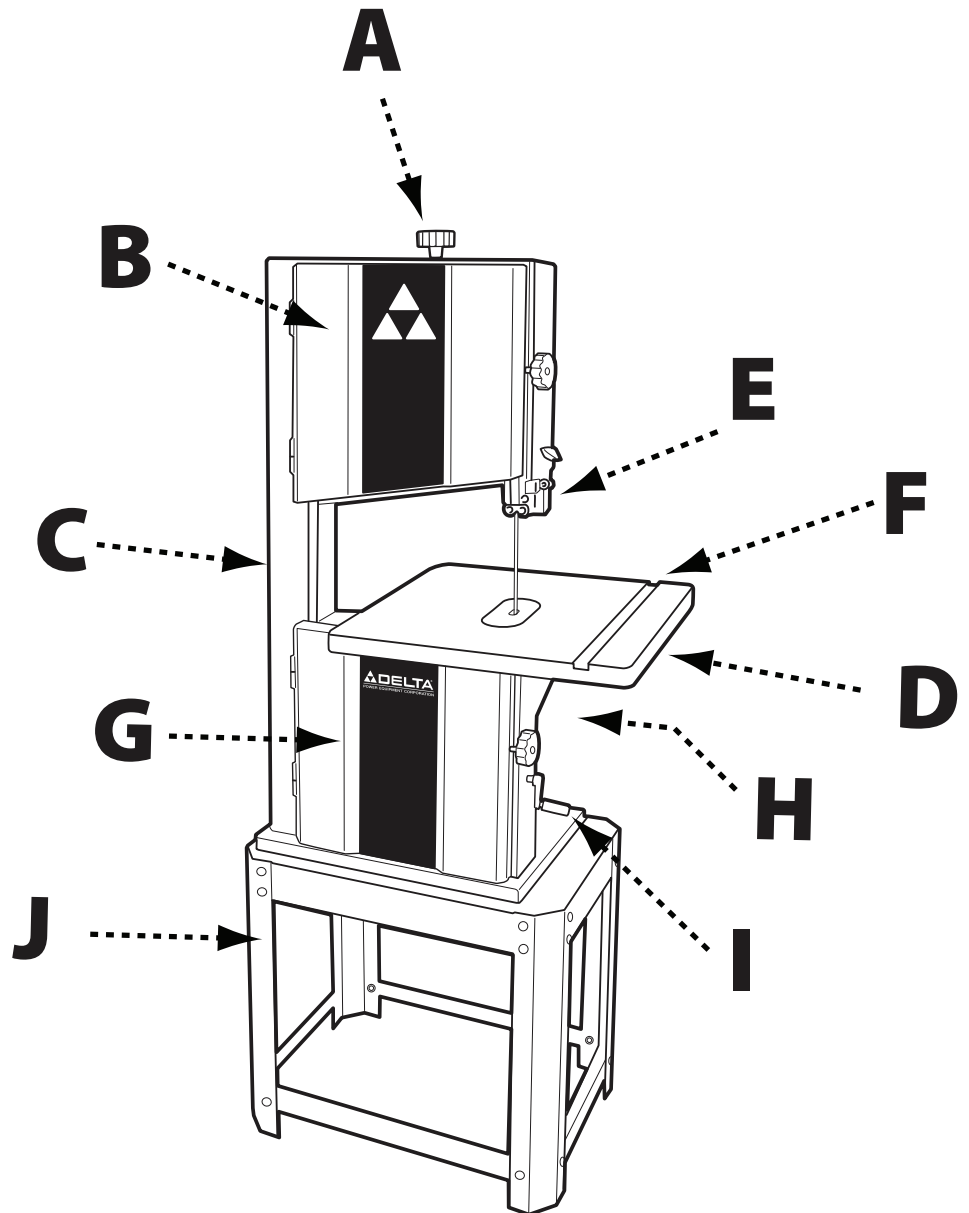


FIG. 1

## FUNCTIONAL DESCRIPTION

The DELTA® 14" Steel Frame Band Saw, MODEL 28-400, is designed for various re-sawing, cross-cutting and ripping operations for material up to 6 " in height and 13-5/8 " in width. It features a 1HP, two-speed motor and can accommodate blades from 1/8 " to 3/4 " in width.

# PRODUCT SPECIFICATIONS

Motor	1 HP, 120V
Cutting Capacity - Height	6"
Cutting Capacity - Width	13-5/8"
Minimum Blade Width	1/8"
Maximum Blade Width	3/4"
Blade Length	93-1/2"
Blade Speed - Low	1620 ft./min (490m/min.)
Blade Speed - High	3340 ft./min (990m/min)
Table Size	15-3/4" X 18-7/8"
Table T-Slot Size (DxW)	3/8" X 3/4"
Table Height From Floor	40-3/4"
Table Tilt	3° left - 45° right
Dust Port Diameter	4"
Overall Dimensions (HxWxD)	27" X 19" X 65-1/2"
Net Weight	180 Lbs.
Shipping Weight	165 Lbs.

## UNPACKING

Carefully unpack the machine and all loose items from the shipping container(s). Remove the rust-preventative oil from unpainted surfaces using a soft cloth moistened with mineral spirits, paint thinner or denatured alcohol.

Do not use highly volatile solvents such as gasoline, naphtha, acetone or lacquer thinner for cleaning your machine.

After cleaning, cover the unpainted surfaces with a good quality household floor paste wax.

**NOTICE:** The manual cover illustrates the current production model. All other illustrations contained in the manual are representative only and may not depict the actual labeling or accessories included. These are intended to illustrate technique only.

**▲ WARNING:** The machine is heavy, be careful when removing it from the shipping container! Failure to comply may cause serious injury and/or damage to the sander and/or property!

Your DELTA® 14" Steel Frame Band Saw comes packed in a single container. Use a safety strap to avoid tip-over when lifting machine. Check shipping carton and machine for damage before unpacking.

Open the shipping container. Carefully remove packaging materials, parts and machine from shipping carton. Always check for and remove protective shipping materials around motors and moving parts. Lay out all parts on a clean work surface and check that all parts are present and in good condition:

### DESCRIPTION (QUANTITY)

- Stand Legs (4)
- Bottom Stand Braces (4)
- Stand Top (1)
- Stand Hardware Pack (1)
- Cast Iron Work Table (1)
- Top Trunnion (1)
- 93 ½" Band Saw Blade (1)
- Blade Tensioning Handle (1)
- Throat Plate (1)
- Hardware Pack (1)

### CONTENTS OF STAND HARDWARE PACK

- M6 X 16 Carriage Bolts (24)
- M6 FLAT Washers (24)
- M6 HEX Nuts (24)
- Rubber Feet (4)

### CONTENTS OF TOOL HARDWARE PACK

- M8 X 20 Hex Bolts (8)
- M6 Lock Washers (4)
- M6 Flat Washers (4)
- (size) Trunnion Feed Bolt (1)
- 8MM Flat Washer (1)
- Table Tilt Locking Wing Nut (1)
- M8 Flat Washers (4)
- M8 Lock Washers (4)
- M8 Hex Nuts (4)



# ASSEMBLY

## STAND ASSEMBLY

Refer to Figure 2

- Place top surface (A) upside down on a level surface. Attach the four legs (B) to the top using M6 X 16 carriage bolts, M6 flat washers, and M6 hex nuts.
- Attach bottom rail supports (C) using M6 X 16 carriage bolts, M6 flat washers, and M6 hex nuts.
- Place rubber feet (D) on bottom of legs. Turn assembled stand upright.

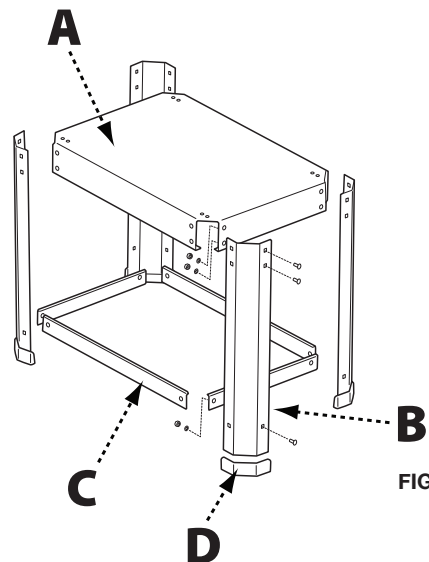


FIGURE 2

## SECURE TABLE TO TABLE TRUNNION SYSTEM

Refer to Figure 3

- Locate the four mounting holes (A) in the upper trunnion and attach the upper trunnion to the underside of the table using four M8 X 20 hex bolts, M6 lock washers, and M6 flat washers
- Position the table assembly so that the upper trunnion fits into the lower trunnion and the trunion feed bolt (B) extends through the slot in the lower trunnion.

**NOTE:** The table tilt indicator (C) on the top trunnion should align with table tilt scale (D) on the bottom trunnion.

- Secure trunion feed bolt using an 8MM flat washer and black table tilt locking wing nut (E).

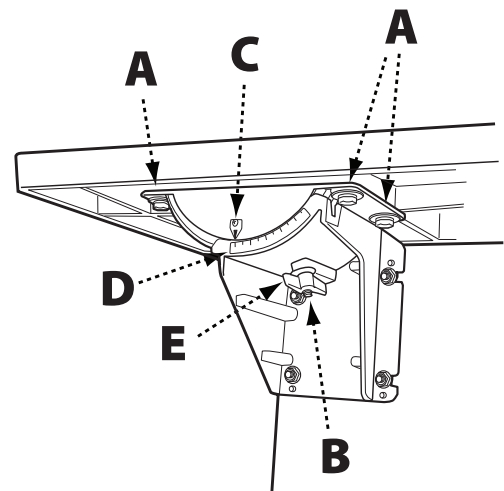


FIGURE 3

## ATTACHING THE SAW TO THE STAND

See Figure 4.

**⚠ WARNING:** This step requires two adults. The DELTA® 14" Steel Frame Band Saw is heavy, be careful when lifting and handling it! Failure to comply may cause serious injury and/or damage to the machine and/or property!

Carefully lift the saw onto the assembled stand and align the four holes in base of the saw with the holes in the top of the stand. Secure saw to the stand using four M8 X 20 hex head bolts with M8 flat washer, M8 lock washer and M8 hex nut.

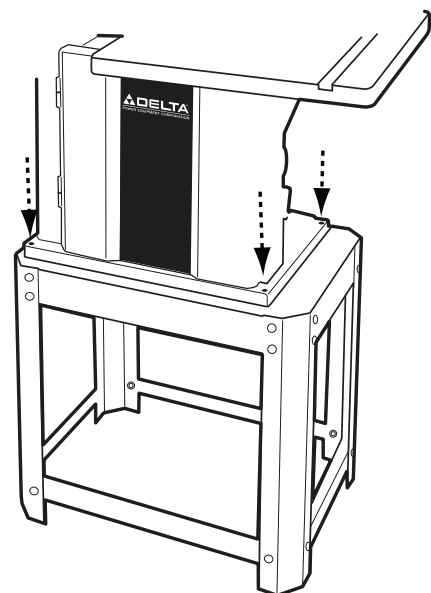


FIGURE 4

# ASSEMBLY

## INSTALL BLADE TENSIONING KNOB

- Fit the blade tensioning knob (A) onto the blade tensioning spindle (B) located at the top of the machine.

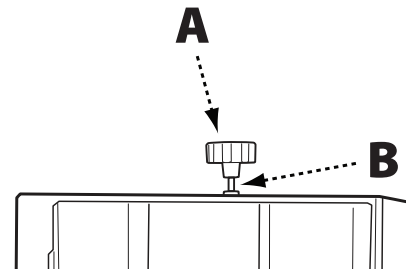


FIGURE 5

## INSTALL BAND SAW BLADE

- Open the upper and lower cabinets of the saw by turning the cabinet lock knobs (A) clockwise. See Figure 6.
- Locate the blade tensioning knob (B) at the top of the machine and turn it counterclockwise several rotations to lower the upper flywheel.
- Carefully feed the blade through the slot in the table (A), ensuring that the blade teeth are pointing down toward the table. See Figure 7.
- Once the blade is in the throat of the saw table, rotate it clockwise 90°, toward you. The blade teeth should now be facing you.
- Carefully slide the blade through the upper slot (B) and lower slot (C) located to the right of the wheel guard.
- Loop the upper part of the blade over the upper tire and the lower part of the blade over the lower tire. See Figure 8. If you need to create additional slack, rotate the blade tensioning knob (D) counterclockwise until the blade can be slipped over both flywheels.
- Tighten the blade tensioning knob until there is sufficient tension on blade. (See "Adjusting the Blade Tension", page 13).

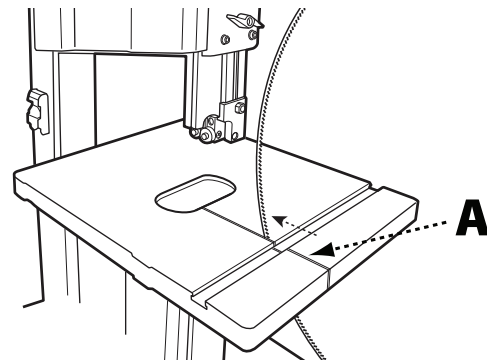


FIGURE 7

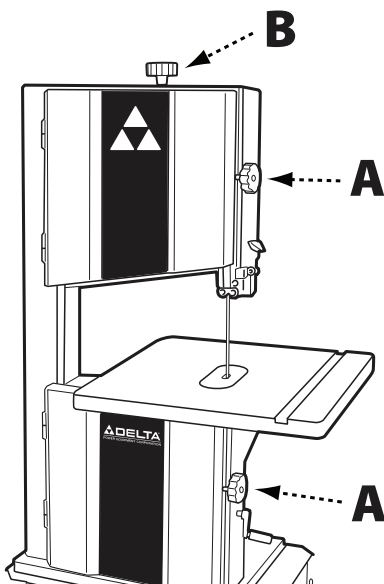
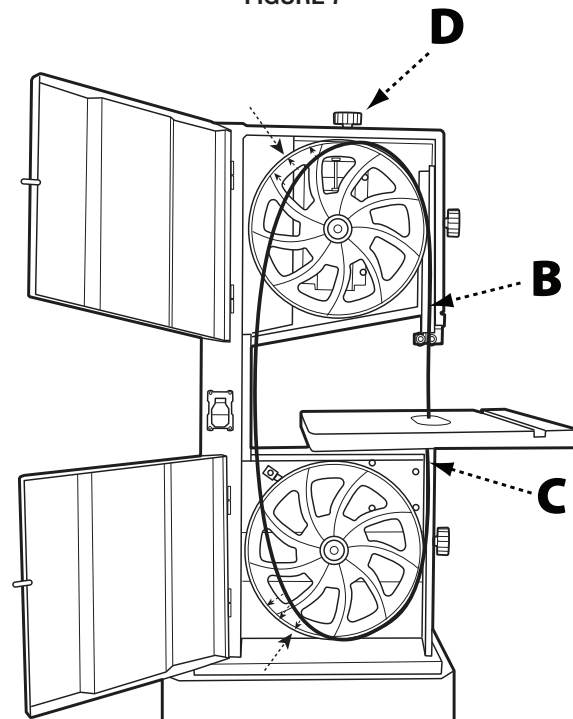


FIGURE 6



**NOTE:** Once your DELTA® Band Saw is set up, you may want to cut several scraps of various species and thicknesses of wood. Check for bowing in the cut and add more tension to the blade if necessary. Different blade sizes will also require different tension settings.

# ASSEMBLY

## ADJUST THE BLADE TRACKING

See Figure 9.

**⚠ WARNING:** Disconnect the machine from the power source before making any adjustments!

**IMPORTANT:** Before tracking the blade, confirm that the blade guides and blade support bearings are clear of the blade.

- After applying tension to the blade, open the upper wheel guard.
- Rotate the wheel slowly forward by hand and observe the blade's movement. It should travel in the center of the upper tire.
- If the blade creeps toward the front edge, unlock the blade tracking lock (A) and turn the blade tracking knob (B) clockwise until the blade consistently tracks in the middle of the tire.
- If the blade creeps towards the rear of the tire, adjust the blade tracking knob counterclockwise.
- Lock the blade tracking lock and close and lock the upper wheel guard.

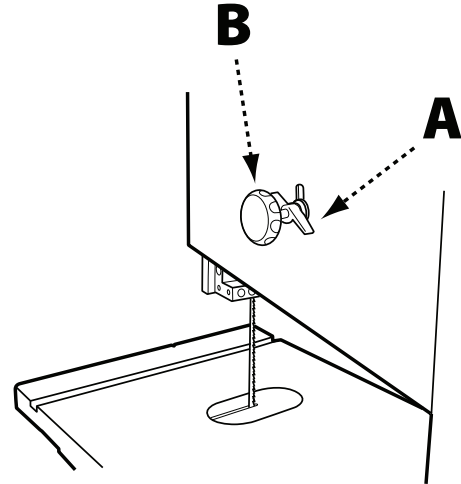


FIGURE 9

## INSERT THROAT PLATE

See Figure 10.

**⚠ WARNING:** Disconnect the machine from the power source!

- Fit the throat plate (A) in the throat of the table so that the tab on the throat plate fits into the notch in table.
- Check to ensure the front of the throat plate is not higher than the table surface. To adjust the height of the throat plate, rotate the two set screws (B) either up or down.

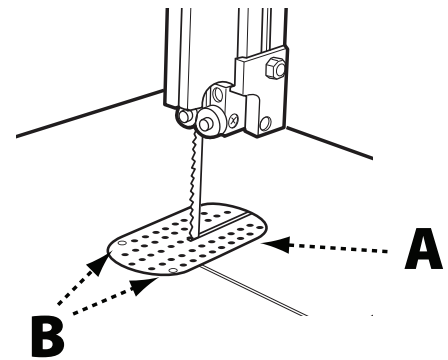


FIGURE 10

## SQUARE TABLE TO BLADE

**⚠ WARNING:** Disconnect the machine from the power source!

Place a carpenter's square (A) against the front and back side of the blade and check the alignment of the table. If the table is out of square, refer to Figure 11 and proceed as follows:

- Raise the upper blade guide assembly by loosening the lock knob (B).
- Loosen the flange nut (C) on the lower trunnion using a 12MM open end wrench and adjust the set screw until the table is square with the blade from the front and back.
- Tighten the flange nut and use the square to confirm proper position of the table.
- Check the pointer on the tilt scale, located on the lower trunnion, and reset if necessary to read 0°.

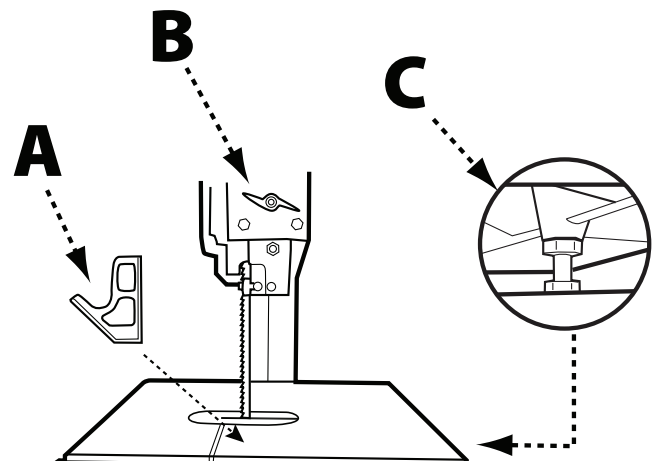


FIGURE 11

# OPERATION

## STARTING AND STOPPING THE SAW

**⚠ WARNING:** Make sure that the switch is in the "OFF" position before plugging cord into outlet. Do not touch the plug's metal prongs when unplugging or plugging in the cord

**⚠ WARNING:** Do not attempt to operate this tool without first connecting it to an adequate dust collection system

**NOTE:** The DELTA® 14" Steel Frame Band Saw uses a Safety Key (A), shown in Figure 12. The Safety Key must be in place in order to operate the machine. Before attempting to turn on the band saw, ensure the Safety Key is installed.

The power switch is located on the left side of the machine. To turn the machine "ON", ensure the yellow safety key is installed and lift the red power switch (B). To turn the machine "OFF", press up on the red power switch.

**⚠ CAUTION:** In the event of a power outage (such as a breaker or fuse trip), always move the switch to the "OFF" position until the main power is restored.

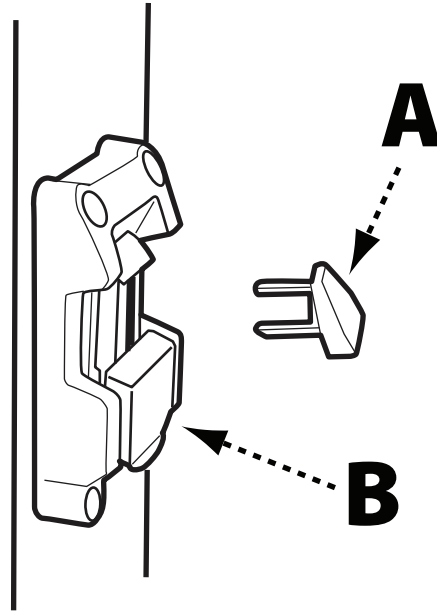


FIGURE 12

## USING THE SAFETY KEY TO LOCK THE SWITCH IN THE "OFF" POSITION

When the tool is not in use, the switch should be locked in the "OFF" position. This can be done by grasping the Safety Key (A), shown in Figure 12 above, and pulling it out of the switch. With the Safety Key removed the switch will not operate. Should the Safety

Key be removed while the machine is running, the switch can be turned "OFF" once, but cannot be restarted without inserting the Safety Key.

**IMPORTANT:** Store the Safety Key away from the tool to prevent unauthorized use

## SELECTING PROPER CUTTING SPEED

Your DELTA® 14" Steel Frame Band Saw has two cutting speeds: low (1620 ft./min) and high (3340 ft./min). The cutting speed is determined based on which of the two pulley wheels, shown in Figure 13 is in use.

The larger diameter pulley wheel (A) is used for the lower cutting speed while the smaller diameter wheel (B) is used for the higher speed.

- To change the cutting speed, open the lower wheel guard (C).
- Refer to the diagram and instructions (D) posted on the inside of the wheel guard.
- Reduce tension on the pulley belt using the belt tensioning knob (E).
- Place belt on the proper wheels and hand turn to ensure it tracks in the center of both wheels.
- Re-tension pulley belt using the belt tensioning knob.
- Close the lower wheel guard.

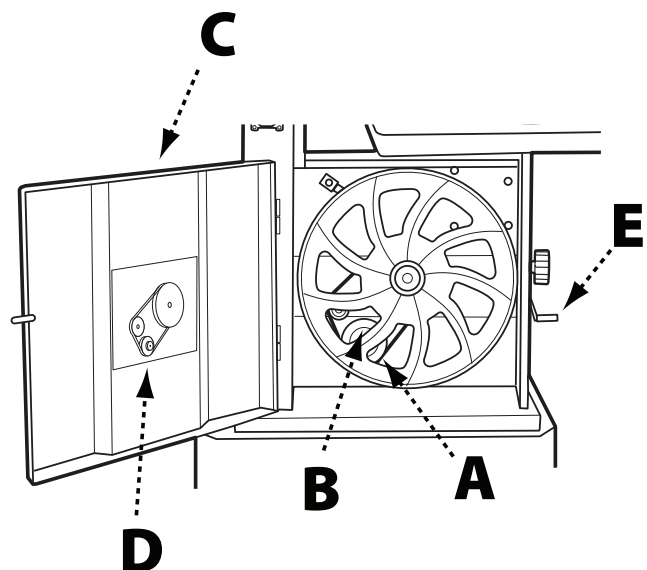


FIGURE 13

# OPERATION

## TILTING THE TABLE

**⚠ WARNING:** Disconnect the machine from the power source!

See Figure 14.

You can tilt the band saw table up to 45° to the right. To tilt the table to the right.

- Loosen the black table tilt locking wing nut (A), located underneath the lower trunnion.
- Tilt the table to the desired angle as shown on the tilt scale (B).
- Retighten the table tilt locking wing nut.

The table can also be tilted 3° to the left for applications such as cutting cast moldings. To tilt the table to the left:

- Follow the instructions above and tilting the table to the right. The table should be tilted enough to allow access to the 0° stop bolt (C) located on the lower trunnion.
- Remove the 0° stop bolt.
- Loosen the table tilt locking wing nut, tilt the table all the way to left.
- Retighten the table tilt locking wing nut.

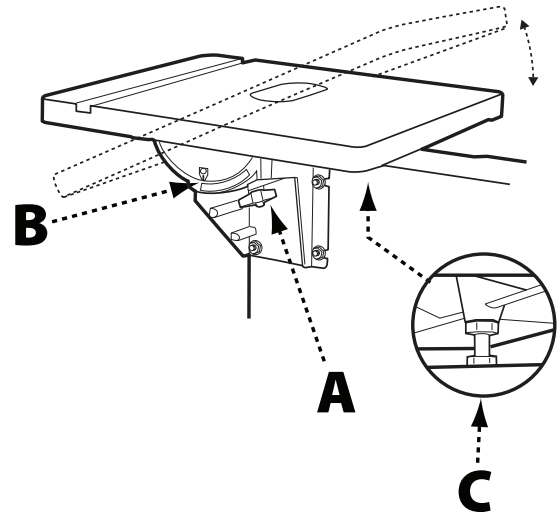


FIGURE 14

## POSITIONING THE UPPER BLADE GUIDE

**IMPORTANT:** Proper positioning of the upper blade guide is required to ensure an accurate cut. It also serves to prevent operators fingers from coming in contact with the saw blade.

See Figure 15.

The upper blade guide (A) should be positioned approximately 1/16" above the top of the workpiece, just high enough to allow the workpiece to pass under the blade guide assembly.

To set the upper blade guide to the proper height:

- Loosen the lock knob (B) and move the blade guide assembly to the desired position.
- Retighten the lock knob.

**IMPORTANT:** Prior to using the band saw, always check guide post lock knob and tighten if necessary.

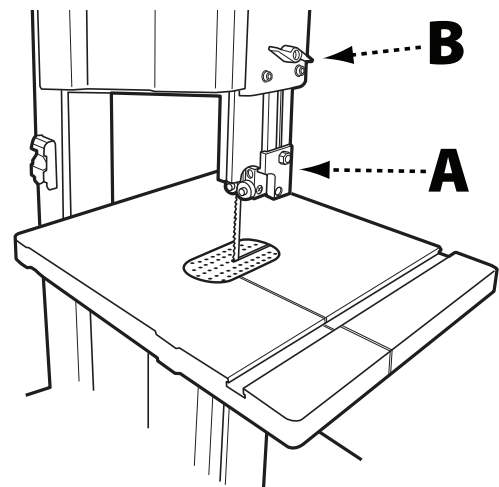


FIGURE 15

# OPERATION

## CUTTING CURVES

Turn the stock carefully so that the blade follows without twisting. For very abrupt curves, consider using a narrower blade, or a blade with more set. Another solution to this problem is to make relief cuts (Figure 16)

When you withdraw the workpiece or change the cut, be careful not to accidentally pull the blade off of the wheels. The preference is to turn the stock and saw out through the waste material.

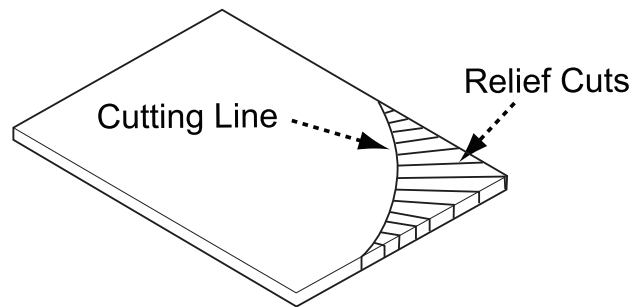


FIGURE 16

## ADJUSTMENTS

### ADJUSTING THE BLADE TENSION

**⚠ WARNING:** Disconnect the machine from the power source before making any adjustments!

See Figure 17 (show set up as in sample to the right) Caption: A standard blade should have approximately 1/4" deflection on either side.)

Unless you have a tension meter, achieving optimum blade tension is a matter of trial and error. There are a number of suggested methods for achieving the proper tension.

Most blade manufacturers recommend 15,000 psi to 20,000 psi for a common carbon-steel blade. Stronger bimetal, spring-steel, and carbide-tipped blades generally require 25,000 psi to 30,000 psi. The tighter the blade is stretched, the more rigid it becomes and the less tendency it will have to deflect in the cut.

It should be noted that maximum blade tension is only required for the most demanding cuts, such as re-sawing dense hardwoods or stock of maximum thickness.

**NOTE:** DELTA® Timber Wolf® band saw blades are recommended as they are designed to operate with less tension, thus increasing their serviceable life. Follow the tensioning directions on the package

To check and adjust the blade tension on your DELTA® 14" Steel Frame Band Saw, do the following:

**⚠ WARNING:** Disconnect the machine from the power source before making any adjustments!

- Set the upper blade guide assembly about 6 in. off the table.
- Use a moderate amount of pressure with your index finger to push the blade sideways in both directions. The blade should not deflect more than 1/4" in either direction.

- If the blade deflects more than 1/4", increase the tension on the blade by tightening the blade tensioning knob at the top of the machine (refer to B in Figure 6, page 9).
- If the blade does not deflect at all, it may be too tight. Loosen the blade tensioning knob slightly until there is a minimal amount of deflection.

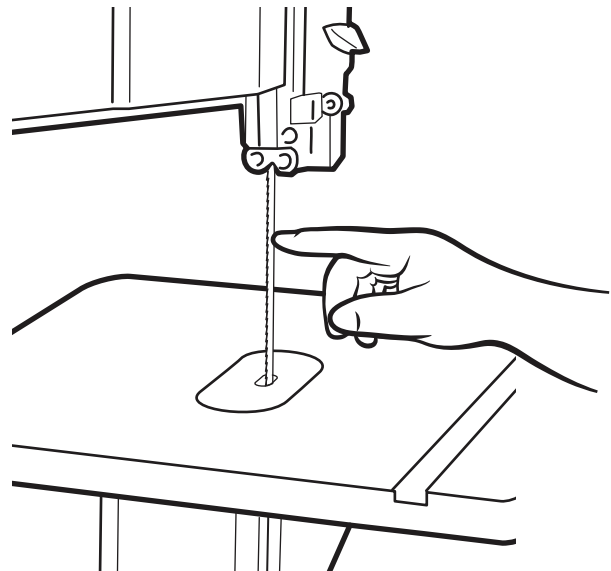


FIGURE 17



# ADJUSTMENTS

## ADJUSTING THE BLADE GUIDES AND BEARINGS

See Figure 18.

**⚠ WARNING:** Disconnect the machine from the power source before making any adjustments!

Adjust the upper blade guides and blade support bearings only after the blade has the correct tension and is tracking properly.

The DELTA® 14" Steel Frame Band Saw features two upper and lower side bearings and two upper and lower rear bearings that can be adjusted in order to ensure straight and consistent cuts. It is recommended that you periodically check the position of all bearings and adjust if necessary.

### SIDE BEARINGS

The upper and lower side bearings (A) should be positioned so that there is approximately 1/64" gap on either side of the blade. To adjust the position of the bearings, side-to-side, do the following:

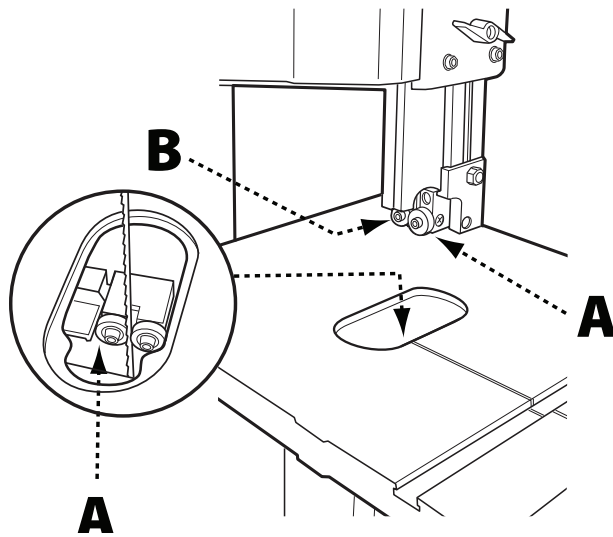


FIGURE 18

- Use a 3MM Allen wrench to loosen the bearing screws (B).
- Reposition the bearings and tighten the bearing the screws.

The upper and lower side bearings also adjust back and forth and should be positioned so that the front edge of the bearings is just behind the blade gullet. To adjust the position of the bearings, front-to-back, do the following:

- Use a 13MM open wrench to loosen the top retaining nut and a 10MM open wrench to loosen the bottom retaining nut. (The bottom retaining nut can be made more accessible by tilting the table slightly.)
- With the retaining nut loosened, both upper side bearings or both lower side bearings will move back and forth as a unit. Position them so that the front edge of the bearings are just behind the blade gullet.
- Re-tighten the retaining nuts.

### REAR BEARINGS

**NOTE:** The upper and lower side bearings must both be set in place prior to adjusting the upper and lower rear bearings.

The upper and lower rear bearings should be positioned so that they nearly touch the blade.

- To adjust, use a 3MM Allen wrench to loosen the bearing screws.
- Reposition the bearings and tighten the bearing the screws.

---

## ADJUSTING BLADE TRACKING

See "Adjust Blade Tracking" in the Assembly section of this manual on page 10.

# MAINTENANCE

## STARTING AND STOPPING THE SAW

**⚠ WARNING:** Make sure that the switch is in the "OFF" position. To reduce the risk of injury, turn unit off and disconnect it from power source before installing and removing accessories, before adjusting or when making repairs.

An accidental start-up can cause injury.

### KEEP MACHINE CLEAN

Periodically blow out all air passages with dry compressed air. All plastic parts should be cleaned with a soft damp cloth.

**NEVER** use solvents to clean plastic parts. They could possibly dissolve or otherwise damage the material.

**⚠ WARNING:** Wear certified safety equipment for eye, hearing and respiratory protection while using compressed air

### FAILURE TO START

Should your machine fail to start, check to make sure the prongs on the cord plug are making good contact in the outlet. Also, check for blown fuses or open circuit breakers in the line.

### LUBRICATION & RUST PROTECTION

Apply household floor paste wax to the machine table, extension table or other work surface weekly. Or use a commercially available protective product designed for this purpose. Follow the manufacturer's instructions for use and safety.

To clean cast iron tables of rust, you will need the following materials: a sheet of medium Scotch-Brite™ Blending Hand Pad, a can of WD-40® and a can of degreaser. Apply the WD-40 and polish the table surface with the Scotch-Brite pad.

Degrease the table, then apply the protective product as described above.

# TROUBLESHOOTING

In spite of how well a band saw is maintained, problems can occur. The following troubleshooting guide will help you solve the more common problems:

<b>TROUBLE: SAW WILL NOT START.</b>	
<b>Probable Cause</b>	<b>Remedy</b>
1. Saw not plugged in. 2. Fuse blown or circuit breaker tripped. 3. Cord damaged.	1. Plug in saw. 2. Replace fuse or reset circuit breaker. 3. Have cord replaced.
<b>TROUBLE: BREAKER KICKS OUT FREQUENTLY.</b>	
<b>Probable Cause</b>	<b>Remedy</b>
1. Extension cord too light or too long. 2. Feeding stock too fast. 3. Blade in poor condition (dull, warped, gummed). 4. Low voltage supply.	1. Replace with adequate size cord. 2. Feed stock more slowly. 3. Clean or replace blade. 4. Contact an electrician
<b>TROUBLE: BAND SAW VIBRATES EXCESSIVELY.</b>	
<b>Probable Cause</b>	<b>Remedy</b>
1. Machine not mounted securely to stand. 2. Stand on uneven surface. 3. Worn belt. 4. Pulley not aligned. 5. Motor not fastened securely.	1. Tighten all mounting hardware. 2. Reposition on flat level surface. 3. Replace belt. 4. Adjust pulleys. 5. Tighten all mounting hardware.

# TROUBLESHOOTING

**TROUBLE:** *BAND SAW DOES NOT COME UP TO SPEED.*

**Probable Cause**

1. Low voltage due to improper extension cord size.
2. Low voltage.

**Remedy**

1. Replace with adequate size cord.
2. Contact an electrician.

**TROUBLE:** *BLADES BREAK.*

**Probable Cause**

1. Blade not tensioned properly.
2. Blade guides improperly adjusted.
3. Blade support bearing improperly adjusted.
4. Blade wheel tracking adjustment improperly set.
5. Bad weld on blade.
6. Worn tires.
7. Forcing wide blade around short radius.
8. Dull blade or insufficient set.
9. Upper blade guide set too high.

**Remedy**

1. Adjust blade tension.
2. Check and adjust blade guides.
3. Adjust blade support bearing.
4. Check and adjust blade tracking.
5. Replace the blade.
6. Replace tires.
7. Change to a narrower blade.
8. Replace blade.
9. Set upper blade guide within 1/8" of workpiece.

**TROUBLE:** *BLADE WILL NOT TRACK.*

**Probable Cause**

1. Blade too loose
2. Upper wheel not properly adjusted.
3. Improperly adjusted blade support bearing.

**Remedy**

1. Adjust tension
2. Adjust upper wheel.
3. Adjust blade support bearing.

**TROUBLE:** *CUT DOESN'T MATCH SETTING ON TILT SCALE.*

**Probable Cause**

1. Pointer out of adjustment

**Remedy**

1. Adjust pointer.

**TROUBLE:** *BLADE WILL NOT STAY ON WHEEL.*

**Probable Cause**

1. Blade not tensioned properly.
2. Blade guides improperly adjusted.
3. Blade support bearing improperly adjusted.
4. Blade wheel not tracking properly.
5. Bad weld on blade.
6. Worn tires.

**Remedy**

1. Adjust blade tension.
2. Check and adjust blade guides.
3. Adjust blade support bearing.
4. Check and adjust blade tracking.
5. Replace the blade.
6. Replace tires.

**TROUBLE:** *BAND SAW MAKES UNSATISFACTORY CUTS.*

**Probable Cause**

1. Blade not tensioned properly.
2. Blade guides improperly adjusted.
3. Blade support bearing improperly set.
4. Blade wheel not tracking properly.
5. Bad weld on blade.
6. Worn tires.
7. Incorrect blade for work being done.
8. Dull blade or insufficient set.
9. Upper blade guide set too high.

**Remedy**

1. Adjust blade tension.
2. Check and adjust blade guides.
3. Adjust blade support bearing.
4. Check and adjust blade tracking.
5. Replace the blade.
6. Replace tires.
7. Change the blade.
8. Replace blade.
9. Set upper blade guide within 1/8" of work piece.

# ABOUT BAND SAW BLADES

You can obtain long use from a band saw blade if you use it properly. Use blades of proper thickness, width and temper for the various types of material and cuts.

Always use the widest blade possible. Use narrow blades only for sawing small, abrupt curves and for fine, delicate work. This will save blades and will produce better cuts. For cutting wood and similar materials, DELTA® offers blades in widths of 1/8", 1/4", 3/8", 1/2", and 3/4".

Any one of a number of conditions may cause a band saw blade to break. Blade breakage is, in some cases, unavoidable, being the natural result of the peculiar stresses to which blades are subjected. Blades will break often due to avoidable causes, such as the lack of care to the blade or the blade not being properly adjusted to the band saw. The most common causes of blade breakage are:

- Faulty alignments and adjustments of the guides.
- Forcing or twisting a wide blade around a curve of short radius.
- Feeding the work piece too fast into the blade.
- Dullness of the teeth, or absence of sufficient set.
- Improperly tensioned blade.
- Top guide set too high above the work piece being cut.

- Using a blade with a lumpy or improperly finished braze or weld.
- Continuous running of the saw blade when not cutting.

## TIPS:

- Use blades that are 93½" in length on this machine.
- Always use a sharp blade. Keep it free from gum and pitch. Clean frequently with a stiff fiber brush.
- Narrow blades are used for cutting small circles or curves while the wider blades are best suited for straight cutting such as ripping.
- A new blade, in most cases, will perform better and last longer than a re-sharpened blade.
- Ensure that the blade guides are adjusted properly.
- Do not force or twist the blade around a curve or a very short radius.
- Feed the workpiece through the blade at a consistent rate, allow the blade to do the cutting – do not feed the work piece too fast.
- Do not apply excessive tension to the blade. The tension is only necessary to drive the blade without slipping on the wheels. Narrow blades require less tension than wider blades.

# ACCESSORIES

A complete line of accessories is available from your DELTA® Supplier, DELTA® Factory Service Centers, and DELTA® Authorized Service Centers. Please visit our Web Site [www.DeltaMachinery.com](http://www.DeltaMachinery.com) for an online catalog or for the name or your nearest supplier.

**⚠ WARNING:** Since accessories other than those offered by DELTA® have not been tested with this product, use of such accessories could be hazardous. For safest operation, only DELTA® recommended accessories should be used with this product.

# WARRANTY

To register your tool for warranty service visit our website at [www.DeltaMachinery.com](http://www.DeltaMachinery.com).

## Five Year Limited New Product Warranty

DELTA® will repair or replace, at its expense and at its option, any new DELTA® machine, machine part, or machine accessory which in normal use has proven to be defective in workmanship or material, provided that the customer returns the product prepaid to a DELTA® factory service center or authorized service station with proof of purchase of the product within five years and provides DELTA® with reasonable opportunity to verify the alleged defect by inspection. For all refurbished DELTA® product, the warranty period is 180 days. DELTA® will not be responsible for any asserted defect which has resulted from normal wear, misuse, abuse or repair or alteration made or specifically authorized by anyone other than an authorized DELTA® service facility or representative. Under no circumstances will DELTA® be liable for incidental or consequential damages resulting from defective products. Some states do not allow the exclusion or limitation of incidental or consequential damages, so the above limitation or exclusion may not apply to you. This warranty is DELTA®'s sole warranty and sets forth the customer's exclusive remedy, with respect to defective products; all other warranties, express or implied, whether of merchantability, fitness for purpose, or otherwise, are expressly disclaimed by DELTA®. For further detail of warranty coverage and warranty repair information, visit [www.DeltaMachinery.com](http://www.DeltaMachinery.com) or call 1-800-223-7278. This warranty gives you specific legal rights and you may have other rights which vary in certain states or provinces.

**LATIN AMERICA:** This warranty does not apply to products sold in Latin America. For products sold in Latin America, see country specific warranty information contained in the packaging, call the local company or see website for warranty information.

## PARTS, SERVICE OR WARRANTY ASSISTANCE

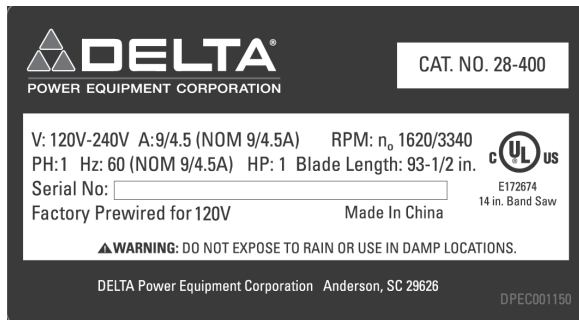
All DELTA<sup>®</sup> machines and accessories are manufactured to high quality standards and are serviced by a network of DELTA<sup>®</sup> Factory Service Centers and DELTA<sup>®</sup> Authorized Service Centers. To obtain additional information regarding your DELTA<sup>®</sup> quality product or to obtain parts, service, warranty assistance, or the location of the nearest service center, please call 1-800-223-7278.

### REPLACEMENT PARTS

Use only identical replacement parts. For a parts list or to order parts, visit our website at [www.DeltaMachinery.com](http://www.DeltaMachinery.com). You can also order parts from your nearest factory-owned branch, Authorized Warranty Service Center or by calling Technical Service Manager at 1-800-223-7278 to receive personalized support from one of our highly-trained representatives.

### FREE WARNING LABEL REPLACEMENT

If your warning labels become illegible or are missing, call 1-800-223-7278 for a free replacement.



#### ▲ WARNING FOR YOUR OWN SAFETY

1. READ AND UNDERSTAND INSTRUCTION MANUAL BEFORE OPERATING BAND SAW.
2. Always wear eye protection.
3. Do not wear gloves, neckties, jewelry or loose clothing.
4. Maintain proper adjustment of blade tracking and tension, blade guides and thrust bearings.
5. Adjust upper blade guard/guide to clear workpiece by no more than 1/4 in.
6. Always clamp stock firmly in place before cutting and use auxiliary support for long material.
7. Guards should be in place and used at all times.
8. Keep hands out of path of saw blade.
9. Do not remove jammed or cut-off pieces until blade has stopped.
10. Disconnect machine from power source before making repairs or adjustments.
11. Do not expose to rain or use in damp locations.

#### ▲ AVERTISSEMENT POUR VOTRE PROPRE SÉCURITÉ

1. LISEZ ET COMPRENEZ LE MANUEL D'INSTRUCTION AVANT D'UTILISER LA SCIE À RUBAN.
2. Portez toujours une protection oculaire.
3. Ne portez pas de gants, cravates, bijoux ou vêtements amples.
4. Veillez au bon réglage du suivi de la lame et de la tension, des guides de lame et des paliers de butée.
5. Réglez le guide/protège-lame supérieur pour libérer la pièce de 1/4 po au maximum.
6. Serrez toujours les pièces fermement en place avant de couper et utilisez un support auxiliaire pour les matériaux longs.
7. Les protections doivent être en place et utilisées en permanence.
8. Gardez les mains à l'écart du chemin de la lame de la scie.
9. Ne retirez pas les pièces coincées ou coupées avant l'arrêt de la lame.
10. Déconnectez l'appareil de la source d'alimentation avant d'effectuer des réparations ou des réglages.
11. N'exposez pas à la pluie et n'utilisez pas dans des endroits humides.

#### ▲ ADVERTENCIA POR SU PROPIA SEGURIDAD

1. ANTES DE OPERAR LA SIERRA DE BANDA, LEA Y ENTIENDA EL MANUAL DE INSTRUCCIONES.
2. Utilice protección ocular siempre.
3. No utilice guantes, corbatas, artículos de joyería o ropa holgada.
4. Mantenga el ajuste apropiado de la tensión y el alineamiento de hoja de corte, las guías de la hoja y de los cojinetes de apoyo.
5. Ajuste el protector/guía de hoja superior de manera que exista solo una pequeña libranza por encima de material.
6. Siempre presione la pieza de trabajo firmemente en su lugar antes de hacer cualquier corte y utilice soporte auxiliar para materiales largos.
7. La guarda debe de estar en su lugar y ser usada en todo momento.
8. Aparte las manos de la trayectoria de la hoja de la sierra.
9. No retire piezas cortadas o atascadas hasta que la hoja se haya detenido.
10. Desconecte la máquina de la fuente de energía antes de realizar ajustes o reparaciones.
11. No exponga a la intemperie ni tampoco haga uso de la herramienta en lugares húmedos.

DPEC001152

### SERVICE AND REPAIRS

All quality tools will eventually require servicing and/or replacement of parts. For information about DELTA<sup>®</sup> Power Equipment Corporation, its factory-owned branches, or to locate an Authorized Warranty Service Center, visit our website at [www.DeltaMachinery.com](http://www.DeltaMachinery.com) or call our Customer Care Center at 1-800-223-7278. All repairs made by our service centers are fully guaranteed against defective material and workmanship. We cannot guarantee repairs made or attempted by others. By calling this number you can also find answers to most frequently asked questions 24 hours/day.

You can also write to us for information at DELTA<sup>®</sup> Power Equipment Corporation, 99 Roush Street, Anderson, SC 29625 - Attention: Technical Service Manager. Be sure to include all of the information shown on the nameplate of your tool (model number, type, serial number, date code, etc.)



# CONSIGNES DE SÉCURITÉ IMPORTANTES

**⚠ AVERTISSEMENT :** ASSUREZ-VOUS D'AVOIR BIEN LU ET COMPRIS TOUTES LES MISES EN GARDE ET LES CONSIGNES D'UTILISATION AVANT D'UTILISER CET ÉQUIPEMENT. Le fait de ne pas respecter toutes les instructions ci-dessous pourrait causer une électrocution, des incendies, et/ou des blessures personnelles ou des dommages matériels graves.

La menuiserie peut être dangereuse si des procédures d'utilisation sécuritaires et adéquates ne sont pas respectées. Comme c'est le cas pour toute pièce de machinerie, l'utilisation de ce produit comporte certains dangers. En utilisant cet appareil selon les directives et avec prudence, vous réduirez de façon importante les risques de blessures corporelles. Cependant, si les précautions normales de sécurité sont négligées ou ignorées, la personne qui utilise l'appareil pourrait être blessée. L'équipement de protection comme les gardes, les poussoirs, les dispositifs de retenue, les planches de protection, les lunettes de sécurité, les masques antipoussières et la protection pour l'ouïe peut réduire le risque de blessure. Cependant, même le meilleur dispositif de protection ne peut compenser un mauvais jugement, un manque de prudence ou d'inattention. **Utilisez toujours le bon sens** et soyez prudent dans l'atelier. Si une manœuvre a l'air dangereuse, ne l'effectuez pas. Essayez plutôt de trouver un moyen plus facile. **RAPPELEZ-VOUS** : vous êtes responsable de votre sécurité personnelle. Pour des renseignements complémentaires, rendez-vous sur notre site Web à l'adresse suivante [www.DeltaMachinery.com](http://www.DeltaMachinery.com).



**⚠ AVERTISSEMENT :** Cet appareil a été conçu seulement pour certaines utilisations. DELTA® Power Equipment Corporation recommande fortement que cet appareil ne soit pas modifié ni utilisé pour toutes autres fins que celles pour lesquelles il a été conçu. Si vous avez des questions sur une utilisation en particulier, N'UTILISEZ PAS l'appareil avant d'avoir d'abord communiqué avec DELTA® pour déterminer si cette utilisation peut ou si elle devrait être faite sur ce produit.

Si vous avez des questions relativement à son utilisation, N'UTILISEZ PAS le produit tant que vous n'aurez pas communiqué par écrit avec DELTA® Power Equipment Corporation et obtenu une réponse de sa part. Contactez-nous en ligne à [www.DeltaMachinery.com](http://www.DeltaMachinery.com) ou par courrier à l'adresse suivante : Responsable du service technique, DELTA® Power Equipment Corporation, 99 Roush Street, Anderson, SC 29625.

Des renseignements au sujet de l'utilisation sécuritaire et appropriée de cet appareil sont disponibles auprès des sources suivantes :

- Power Tool Institute, 1300 Sumner Avenue, Cleveland, OH 44115-2851 ou en ligne sur [www.powertoolinstitute.com](http://www.powertoolinstitute.com)
- National Safety Council, 1121 Spring Lake Drive, Itasca, IL 60143-3201
- American National Standards Institute, 25 West 43rd Street, 4 floor, New York, NY 10036 [www.ansi.org](http://www.ansi.org) - ANSI 01.1 Safety Requirements for Woodworking Machines
- Réglementation du Département américain du travail (OSHA) à l'adresse [www.osha.gov](http://www.osha.gov)

## CONSIGNES DE SÉCURITÉ - DÉFINITIONS

Ce manuel contient des renseignements qu'il est important de connaître et de comprendre. Ces renseignements ont pour but d'assurer VOTRE SÉCURITÉ et de PRÉVENIR LES PROBLÈMES D'ÉQUIPEMENT. Pour vous aider à reconnaître ces renseignements, nous utilisons les symboles ci-dessous. Veuillez lire le manuel et prêter attention à ces sections.

**⚠ DANGER :** Indique une situation extrêmement dangereuse qui, si elle n'est pas évitée, entraînera la mort ou une blessure grave.

**⚠ AVERTISSEMENT :** Indique une situation potentiellement dangereuse qui, si elle n'est pas évitée, pourrait entraîner la mort ou une blessure grave.

**⚠ ATTENTION :** Indique une situation potentiellement dangereuse qui, si elle n'est pas évitée, peut entraîner une blessure mineure ou modérée.

**ATTENTION :** Utilisé sans le symbole d'avertissement, indique une situation potentiellement dangereuse qui, si elle n'est pas évitée, peut endommager l'appareil.



# RÈGLES DE SÉCURITÉ GÉNÉRALES

**⚠ AVERTISSEMENT :** LE NON-RESPECT DE CES RÈGLES PEUT ENTRAÎNER DES BLESSURES PERSONNELLES GRAVES.

- **POUR VOTRE PROPRE SÉCURITÉ, ASSUREZ-VOUS D'AVOIR BIEN LU ET COMPRIS LE MANUEL D'UTILISATION AVANT DE FAIRE FONCTIONNER L'APPAREIL.** Apprenez à connaître son domaine d'utilisation et ses limites, ainsi que les dangers qui lui sont rattachés.
- **MAINTENEZ L'AIRE DE TRAVAIL PROPRE.** Les aires et les bancs de travail encombrés sont propices aux accidents.
- **NE PAS UTILISER DANS UN ENVIRONNEMENT DANGEREUX.** N'utilisez pas cet appareil dans un endroit humide ou mouillé, et ne l'exposez pas à la pluie. Gardez votre lieu de travail bien éclairé.
- **MAINTENEZ LES ENFANTS ET LES VISITEURS À L'ÉCART.** Tous les enfants et visiteurs doivent demeurer à une distance sécuritaire de l'aire de travail.
- **DÉBRANCHEZ L'APPAREIL** avant toute opération d'entretien.
- **VÉRIFIEZ LA PRÉSENCE DE PIÈCES ENDOMMAGÉES.** Avant d'utiliser l'appareil, bien réparer ou remplacer toute pièce endommagée.

**⚠ AVERTISSEMENT :** LE NON-RESPECT DE CES RÈGLES PEUT ENTRAÎNER DES BLESSURES GRAVES.

1. Assurez-vous de lire et comprendre les avertissements affichés sur l'appareil et dans ce manuel. Le non respect de tous ces avertissements peut entraîner des blessures graves.
2. Remplacez les étiquettes d'avertissement si elles sont masquées ou supprimées.
3. Cet appareil est conçu pour l'utilisation par un personnel qualifié et expérimenté seulement. En cas de non familiarité avec le bon fonctionnement sécuritaire d'une scie à ruban, ne pas l'utiliser avant d'avoir reçu la formation et les connaissances appropriées.
4. Ne pas utiliser cet appareil pour autre chose que son usage prévu. S'il est utilisé à d'autres fins, DELTA® Power Equipment Corporation décline toute garantie réelle ou implicite et se dégage de toute responsabilité pour toute blessure qui pourrait résulter de cette utilisation.
5. Portez toujours des lunettes/masque de protection agréés durant l'utilisation de cette scie à ruban.
6. Avant d'utiliser cette scie à ruban, enlevez cravate, bagues, montres et autres bijoux, et retrousses vos manches au-dessus du coude. Retirez tous les vêtements amples et retenez les cheveux longs. Il est recommandé de porter des chaussures antidérapantes ou de poser des bandes de plancher antidérapantes. Ne pas porter de gants.
7. Portez des protecteurs pour l'ouïe (bouchons ou manchons) pendant les longues périodes de fonctionnement.
8. Certaines poussières créées par le ponçage mécanique, le sciage, le broyage, le perçage et d'autres activités de construction contiennent des produits chimiques identifiés comme causes de cancer, d'anomalies congénitales ou d'autres préjudices liés à la reproduction. En voici des exemples :
  - plomb de peintures à base de plomb;
  - silice cristalline de briques, de ciment et d'autres produits de maçonnerie;
  - arsenic et chrome de bois de sciage traité chimiquement.
9. N'utilisez pas cet appareil en état de fatigue ou avec les facultés affaiblies par la drogue, l'alcool ou les médicaments.
10. Avant de brancher l'appareil sur la source d'alimentation, assurez-vous que l'interrupteur est en position « OFF » (Arrêt).
11. Assurez-vous que l'appareil est correctement mis à la terre.
12. Ne faites les réglages de l'appareil ou son entretien que lorsque celui-ci est débranché de la source d'alimentation.
13. Prenez l'habitude de vérifier que tout l'équipement supplémentaire tel que les clés de réglage, les clés à molette, la ferraille, le matériel et les chiffons de nettoyage a été éloigné de l'appareil avant de le mettre en marche.
14. Gardez les dispositifs de protection en place en tout temps lorsque l'appareil est utilisé. Faites preuve d'une extrême prudence s'ils sont enlevés à des fins d'entretien et remettez-les en place dès la fin de l'entretien.
15. Assurez-vous que l'outil est solidement fixé au sol avant de l'utiliser.
16. Vérifiez si des pièces sont endommagées. Avant d'utiliser l'appareil, il faut vérifier soigneusement le dispositif de protection ou toute autre pièce endommagée afin de s'assurer que l'appareil fonctionnera correctement et remplira sa fonction prévue. Vérifiez l'alignement des pièces mobiles et leurs joints, tout bris de pièce et du cadrage et toute autre condition qui pourrait en modifier le fonctionnement. Un garde ou une autre pièce endommagée doivent être réparés ou remplacés sans tarder.

*suite à la page 4*

17. Prévoyez un espace suffisant autour de la zone de travail et un éclairage en plongée non éblouissant.
18. Gardez le plancher autour de l'appareil propre et exempt de débris, d'huile et de graisse.
19. Gardez les visiteurs à une distance sécuritaire de la zone de travail. Tenez les enfants à distance.
20. Rendez votre atelier à l'épreuve des enfants au moyen de cadenas, de commutateurs principaux ou en retirant les clés de mise en marche.
21. Concentrez-vous uniquement sur le travail. Regarder aux alentours, tenir une conversation et faire du chahut sont des actes négligents qui peuvent entraîner des blessures graves.
22. Maintenez une position équilibrée en tout temps afin de ne pas tomber ou de ne pas vous appuyer sur l'outil ou sur ses pièces mobiles. Évitez de vous étirer ou d'utiliser une force excessive pour effectuer toute opération avec l'appareil.
23. Utilisez l'outil approprié à la bonne vitesse et au bon débit. Ne forcez pas un outil ou un accessoire à effectuer une tâche pour laquelle il n'a pas été conçu. Le bon outil fera mieux le travail et sera plus sécuritaire.
24. Utilisez les pièces recommandées ; les accessoires inadéquats peuvent être dangereux.
25. Entretenez les appareils avec soin. Suivez les indications relatives à la lubrification et au changement d'accessoire.

26. Débranchez l'appareil avant le nettoyage. Utilisez une brosse ou de l'air comprimé pour enlever la poussière ou des débris ; n'utilisez pas vos mains.
27. Ne vous tenez pas debout sur l'appareil. Des blessures graves pourraient se produire si l'appareil se renverse.
28. Ne jamais laisser l'appareil sans surveillance lorsqu'il est en marche. Débranchez l'appareil et ne le laissez pas sans surveillance jusqu'à son arrêt complet.
29. Tenez la poignée fermement en tout temps.
30. N'utilisez pas cet outil pour d'autres fins que celles pour lesquelles il est prévu. S'il est utilisé à d'autres fins, DELTA® Power Equipment Corporation décline toute garantie réelle ou implicite et se dégage de toute responsabilité pour toute blessure qui pourrait résulter de cette utilisation.

**Familiarisez-vous avec les règles de sécurité enseignées dans ce manuel :**

**⚠ ATTENTION :**

Cela signifie que le non-respect des précautions peut entraîner des blessures superficielles et/ou endommager l'appareil.

**⚠ AVERTISSEMENT :**

Cela signifie que le non-respect des précautions peut causer des blessures graves pouvant même entraîner la mort.

## RÈGLES DE SÉCURITÉ SPÉCIFIQUES SUPPLÉMENTAIRES

1. Utilisez une taille et un type de lame appropriés.
2. Réglez le guide de lame supérieur afin qu'il soit environ à 3,2 mm (1/8 po) au-dessus de la pièce.
3. Réglez correctement la tension de la lame, le suivi, les guides de lame et les paliers de support de lame.
4. Ne mettez jamais en route l'appareil lorsque la pièce est appuyée contre la lame.
5. Tenez fermement la pièce et insérez-la dans la lame à une vitesse modérée.
6. Arrêtez l'appareil pour sortir d'une coupe inachevée ou coincée.
7. Effectuez des coupes en « relief » avant de couper de longues courbes.
8. Éteignez l'appareil et attendez que la lame s'arrête avant de nettoyer la zone de la lame, de retirer les débris à proximité de la lame, de retirer ou de sécuriser la pièce ou de modifier l'angle de la table. Une lame qui tourne au débrayé peut être dangereuse.

### CONSERVEZ CES CONSIGNES.

Consultez-les souvent et utilisez-les pour enseigner aux autres.

# RACCORDEMENTS ÉLECTRIQUES

Un circuit électrique séparé devrait être utilisé pour vos appareils. Les fils du circuit doivent être au moins de calibre 12 et être protégés par un fusible à action différée de 20 ampères. Si vous utilisez une rallonge, ne prenez que des rallonges à trois fils avec des fiches de mise à la terre à trois broches et le réceptacle correspondant qui acceptera la fiche de l'appareil. Avant de brancher l'appareil sur l'alimentation, assurez-vous que le commutateur est en position « OFF » (« Arrêt ») et que le courant électrique que vous allez utiliser possède les mêmes caractéristiques que celui indiqué sur l'appareil. Tous les raccordements doivent établir un bon contact. Une utilisation en basse tension endommagera l'appareil.

**⚠ DANGER :** NE PAS UTILISER L'APPAREIL DANS UN ENDROIT HUMIDE OU MOUILLÉ ET NE PAS L'EXPOSER À LA PLUIE.

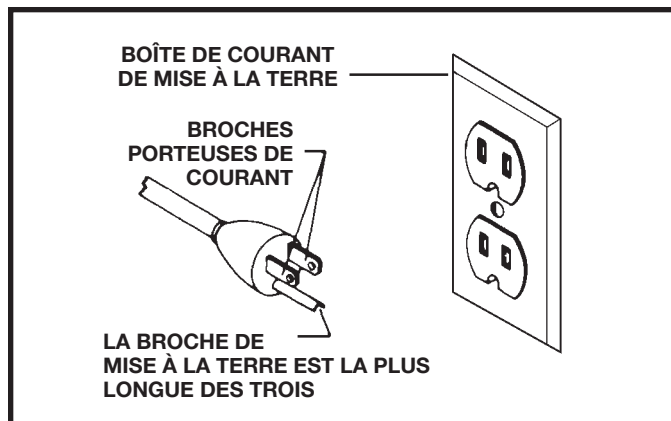


FIG. A

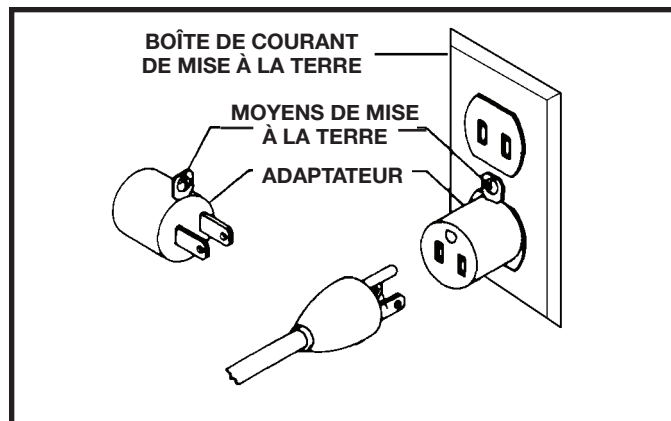


FIG. B

## SPÉCIFICATIONS DU MOTEUR

Votre appareil est câblé pour un courant alternatif de 120/240 V, 60 Hz. Avant de brancher l'appareil à la source d'alimentation, assurez-vous que l'interrupteur est en position « OFF » (Arrêt).

## INSTRUCTIONS DE MISE À LA TERRE

**⚠ DANGER :** CET APPAREIL DOIT ÊTRE MIS À LA TERRE LORSQU'IL EST UTILISÉ POUR PROTÉGER L'OPÉRATEUR CONTRE L'ÉLECTROCUTION.

### 1. Pour tous les appareils branchés par un cordon d'alimentation et mis à la terre :

En cas de mauvais fonctionnement ou de panne, la mise à la terre fournit un chemin de moindre résistance au courant électrique visant à réduire le risque d'électrocution. Cet appareil est équipé d'un cordon électrique possédant un conducteur de terre et une fiche de terre. La fiche doit être branchée sur une prise correctement installée et mise à la terre conformément à tous les codes et règlements locaux.

Ne pas modifier la fiche prévue. Si elle n'entre pas dans la prise, faire installer une prise appropriée par un électricien agréé.

Le raccordement inapproprié du conducteur de terre de l'équipement peut provoquer l'électrocution. Le fil conducteur avec un isolant comportant une surface extérieure verte, avec ou sans rayures jaunes, est le conducteur de terre. Si la réparation ou le remplacement du cordon électrique ou de la fiche est nécessaire, ne branchez pas le conducteur de terre à une borne sous tension.

Si les consignes de mise à la terre ne sont pas complètement comprises ou en cas de doute concernant la mise à la terre de l'appareil, se renseigner auprès d'un électricien ou du personnel de service agréés.

Utiliser uniquement des rallonges à trois fils avec des fiches de mise à la terre à trois broches et des réceptacles à 3 conducteurs adaptés à la fiche de l'appareil, comme indiqué à la Fig. A.

Réparez ou remplacez immédiatement tout cordon endommagé ou usé.

### 2. Appareils raccordés à un cordon et mis à la terre, destinés à une utilisation sur un circuit d'alimentation ayant une puissance nominale inférieure à 150 volts :

Si l'appareil doit être utilisé sur un circuit ayant une sortie semblable à celle illustrée à la Fig. A, il dispose d'une fiche de terre ressemblant à celle illustrée à la Fig. A. Un adaptateur temporaire, qui ressemble à l'adaptateur illustré à la Fig. B, peut être utilisé pour connecter cette fiche à un réceptacle à 2 conducteurs correspondant comme indiqué à la Fig. B si une sortie correctement mise à la terre n'est pas disponible. L'adaptateur temporaire doit uniquement être utilisé jusqu'à ce qu'une sortie correctement mise à la terre puisse être installée par un électricien qualifié. L'oreille

verte rigide, la cosse et autres semblables dépassant de l'adaptateur doivent être connectés à une mise à la terre permanente comme une boîte de courant correctement mise à la terre. Quand l'adaptateur est utilisé, il doit toujours être maintenu en place avec une vis métallique.

**REMARQUE :** au Canada, l'utilisation d'un adaptateur temporaire n'est pas autorisée par le Code canadien de l'électricité.

Dans tous les cas, assurez-vous que le réceptacle en question est bien mis à la terre. Si vous n'êtes pas certain, faites vérifier le réceptacle par un électricien qualifié.

**⚠ DANGER :** DANS TOUS LES CAS, ASSUREZ-VOUS QUE LE RÉCEPTACLE EN QUESTION EST BIEN RELIÉ À LA TERRE. SI VOUS N'ÊTES PAS CERTAIN, FAITES VÉRIFIER LE RÉCEPTACLE PAR UN ÉLECTRICIEN QUALIFIÉ.

### 3. Fonctionnement monophasé 240 VOLTS :

Le moteur fourni avec votre appareil fonctionne sous deux tensions, 120 et 240 volts. Il est expédié prêt à l'utilisation en mode 120 volts. Cependant, il peut être converti pour le fonctionnement sur 240 volts.

La conversion doit être exécutée par un électricien qualifié, sinon vous pouvez apporter votre appareil au Centre de service Delta autorisé. Lorsque la conversion est complétée, l'appareil doit être conforme au Code électrique national et tous les codes et règlements locaux.

L'appareil se convertit en reconfigurant le câblage du moteur à 240 volts, en installant une fiche de 240 volts sur le cordon d'alimentation et en remplaçant l'interrupteur par un autre adapté au fonctionnement sous 240 volts. Assurez-vous que la fiche de 240 volts est uniquement utilisée avec une sortie ayant la même configuration que la fiche illustrée à la Fig. C. Aucun adaptateur ne doit être utilisé avec la fiche de 240 volts.

**⚠ DANGER :** DANS TOUS LES CAS, ASSUREZ-VOUS QUE LE RÉCEPTACLE EN QUESTION EST BIEN RELIÉ À LA TERRE. SI VOUS N'ÊTES PAS CERTAIN, FAITES VÉRIFIER LE RÉCEPTACLE PAR UN ÉLECTRICIEN QUALIFIÉ.

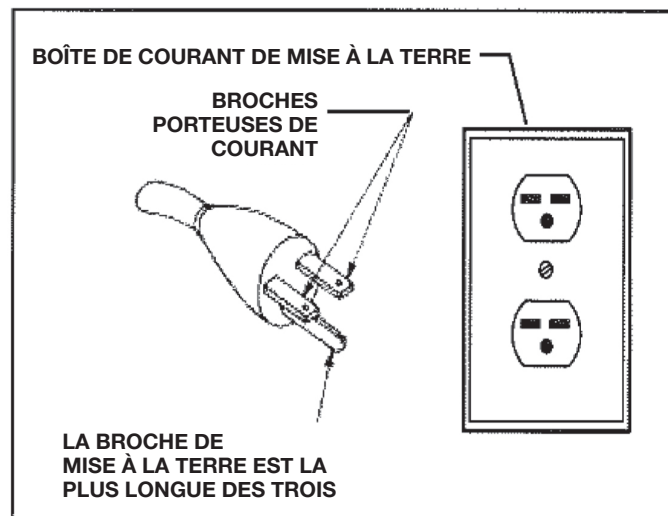


FIG. C

### RALLONGES

**⚠ ATTENTION :** Utilisez des rallonges appropriées. Assurez-vous que la rallonge est en bon état et qu'il s'agit d'une rallonge à trois fils avec une fiche de mise à la terre à trois broches et d'un réceptacle correspondant à la fiche de l'appareil. Lorsque vous utilisez une rallonge, assurez-vous qu'elle soit de calibre suffisamment élevé pour assurer l'alimentation de l'appareil. Une rallonge d'un calibre trop petit provoquera une chute de tension, entraînant une perte de puissance et une surchauffe. Le tableau indique le bon calibre à utiliser en fonction de la longueur de la rallonge. En cas de doute, utiliser le calibre immédiatement supérieur. Plus le numéro de calibre est petit, plus le cordon est épais.

CALIBRE MINIMUM POUR RALLONGE			
CALIBRES RECOMMANDÉS POUR UTILISATION SUR DES APPAREILS ÉLECTRIQUES STATIONNAIRES			
Intensité	Volts	Longueur totale du cordon en mètres (pieds)	Calibre de la rallonge
0-6	120	jusqu'à 7,6 (25)	18 AWG
0-6	120	7,6-15,2 (25-50)	16 AWG
0-6	120	15,2-30,5 (50-100)	16 AWG
0-6	120	30,5-45,7 (100-150)	14 AWG
6-10	120	jusqu'à 7,6 (25)	18 AWG
6-10	120	7,6-15,2 (25-50)	16 AWG
6-10	120	15,2-30,5 (50-100)	14 AWG
6-10	120	30,5-45,7 (100-150)	12 AWG
10-12	120	jusqu'à 7,6 (25)	16 AWG
10-12	120	7,6-15,2 (25-50)	16 AWG
10-12	120	15,2-30,5 (50-100)	14 AWG
10-12	120	30,5-45,7 (100-150)	12 AWG
12-16	120	jusqu'à 7,6 (25)	14 AWG
12-16	120	7,6-15,2 (25-50)	12 AWG
12-16	120	UNE LONGUEUR DE PLUS DE 15,2 MÈTRES (50 PIEDS) N'EST PAS RECOMMANDÉE.	

# CARACTÉRISTIQUES ET COMPOSANTES

- A. Poignée de tension de la lame
- B. Garde-roue supérieur
- C. Interrupteur
- D. Table en fonte inclinable
- E. Ensemble de guide de lame
- F. Rainure en T pour guide à onglets
- G. Garde-roue inférieur
- H. Moteur 1 HP
- I. Poignée de tension de la courroie
- J. Support d'outil

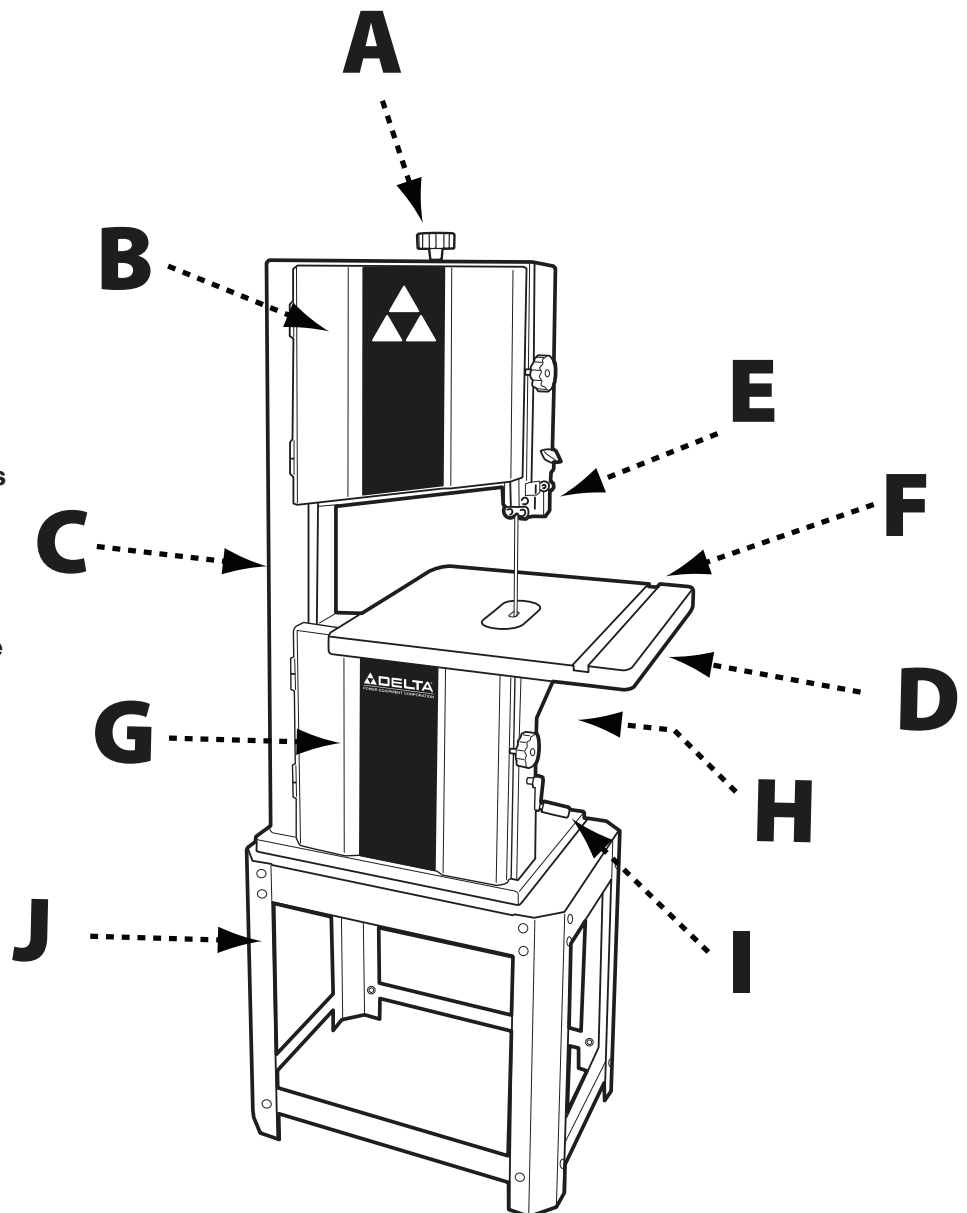


FIGURE 1

## DESCRIPTION DU FONCTIONNEMENT

La scie à ruban avec structure en acier 355,6 mm (14 po) DELTA®, MODÈLE 28-400, est conçue pour diverses opérations de refente, coupe croisée et coupe longitudinale pour les matériaux jusqu'à 152,4 mm (6 po) de hauteur et 346,1 mm (13-5/8 po) de largeur. Elle possède un moteur 1HP à deux vitesses et peut accueillir des lames de 3,2 mm (1/8 po) à 19,1 mm (3/4 po) de large.



# CARACTÉRISTIQUES DU PRODUIT

Moteur	1 HP, 120 V
Capacité de coupe - hauteur	152,4 mm (6 po)
Capacité de coupe - largeur	346,1 mm (13-5/8 po)
Largeur minimale de la lame	3,2 mm (1/8 po)
Largeur maximale de la lame	19,1 mm (3/4 po)
Longueur de la lame	237,5 cm (93-1/2 po)
Vitesse de lame - basse	494 m/min (1 620 pi/min)
Vitesse de lame - élevée	1 018 m/min (3 340 pi/min)
Taille de la table	400,1 mm x 479,4 mm (15-3/4 po x 18-7/8 po)
Taille de la rainure en T de la table (PxL)	9,5 mm x 19,1 mm (3/8 po x 3/4 po)
Hauteur de la table par rapport au sol	103,5 cm (40-3/4 po)
Inclinaison de la table	3° gauche - 45° droite
Diamètre du port de poussière	101,6 mm (4 po)
Dimensions totales (HxLxP)	68,6 cm x 48,3 cm x 166,4 cm (27 po x 19 po x 65-1/2 po)
Poids net	81,6 kg (180 lb)
Poids à l'expédition	74,8 kg (165 lb)

## DÉBALLAGE

Déballer minutieusement l'appareil et toutes les pièces détachées de la ou des boîtes d'expédition. Retirez l'huile anti-corrosion des surfaces non peintes avec un chiffon doux humidifié de spiritueux minéraux, de diluant de peinture ou d'alcool dénaturé.

N'utilisez pas de solvants hautement volatiles comme de l'essence, du naphta, de l'acétone ou du diluant de vernis pour nettoyer votre appareil.

Après le nettoyage, couvrez les surfaces non peintes d'une bonne cire à planchers de qualité résidentielle.

**AVIS :** la couverture du manuel illustre le modèle de production actuel. Toutes les autres illustrations du manuel sont uniquement à titre représentatif et peuvent ne pas illustrer l'étiquetage ou les accessoires réellement inclus. Elles servent uniquement à illustrer la technique.

**⚠ AVERTISSEMENT :** L'appareil est lourd, soyez prudent lorsque vous le retirez de l'emballage d'expédition! Le non-respect des indications peut entraîner des blessures graves et/ou endommager la scie à bande et/ou le matériel!

Votre scie à ruban avec structure en acier 355,6 mm (14 po) DELTA® est livrée dans un emballage unique. Placez une sangle de sécurité autour de l'appareil pour éviter qu'il ne se bascule lors du levage. Vérifiez que l'emballage d'expédition et l'appareil ne sont pas endommagés avant de le déballer.

Ouvrez l'emballage d'expédition. Enlevez soigneusement les matériaux d'emballage, les pièces et l'appareil de l'emballage d'expédition. Toujours vérifier et retirer les matériaux d'emballage de protection autour des moteurs et des pièces mobiles. Étalez toutes les pièces sur une surface de travail propre et vérifiez que toutes les pièces sont présentes et en bon état :

### DESCRIPTION (QUANTITÉ)

- Pieds de support (4)
- Lattes latérales inférieures de support (4)
- Haut de support (1)
- Pack matériel de support (1)
- Table de travail en fonte (1)
- Tourillon supérieur (1)
- Lame de scie à ruban 237,5 cm (93-1/2 po) (1)
- Poignée de tension de la lame (1)
- Plaque lumière (1)
- Pack matériel (1)

### CONTENU DU PACK MATÉRIEL DE SUPPORT

- Boulons de carrosserie M6 X 16 (24)
- Rondelles PLATES M6 (24)
- Écrous HEXAGONAUX M6 (24)
- Pieds en caoutchouc (4)

### CONTENU DU PACK D'OUTILS

- Boulons hexagonaux M8 X 20 (8)
- Rondelles de blocage M6 (4)
- Rondelles plates M6 (4)
- Boulon d'entraînement du tourillon (taille) (1)
- Rondelle plate 8 mm (1)
- Papillon de serrage d'inclinaison de la table (1)
- Rondelles plates M8 (4)
- Rondelles de blocage M8 (4)
- Écrous hexagonaux M8 (4)



## MONTAGE DU SUPPORT

Consultez la Figure 2

- Placez la surface supérieure (A) à l'envers sur une surface plane. Fixez les quatre pieds (B) au sommet avec 16 boulons de carrosserie M6, des rondelles plates M6 et des écrous hexagonaux M6.
- Fixez les supports de rails inférieurs (C) avec 16 boulons de carrosserie M6, des rondelles plates M6 et des écrous hexagonaux M6.
- Placez les pieds en caoutchouc (D) au bas des pieds. Tournez le support monté verticalement.

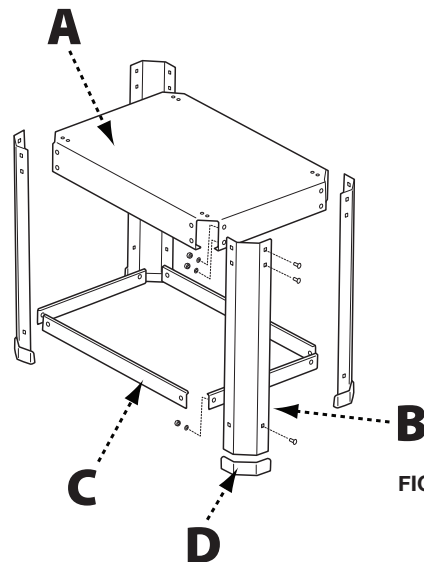


FIGURE 2

## FIXER LA TABLE AU SYSTÈME DE TOURILLONS DE TABLE

Consultez la Figure 3

- Trouvez les quatre trous de montage (A) dans le tourillon supérieur et fixez le tourillon supérieur au dessous de la table avec quatre boulons hexagonaux M8 X 20, rondelles de blocage M6 et rondelles plates M6
- Placez l'ensemble de la table afin que le tourillon supérieur corresponde au tourillon inférieur et que le boulon d'entraînement du tourillon (B) traverse la fente du tourillon inférieur.

**REMARQUE :** l'indicateur d'inclinaison de la table (C) au sommet du tourillon doit être aligné avec le niveau d'inclinaison de la table (D) sur le tourillon inférieur.

- Fixez le boulon d'entraînement du tourillon avec une rondelle plate 8 mm et un papillon de serrage d'inclinaison de la table noir (E).

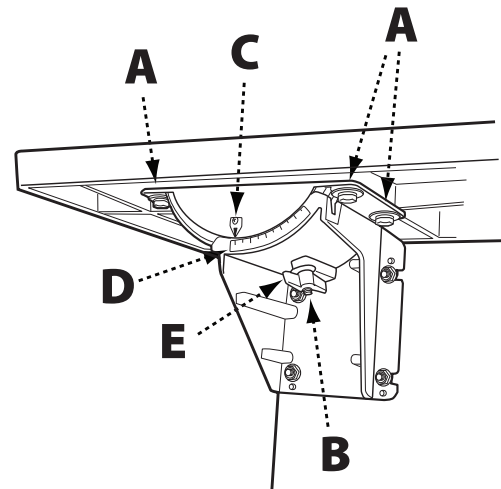


FIGURE 3

## FIXER LA SCIE AU SUPPORT

Voir Figure 4.

**⚠ AVERTISSEMENT :** Cette étape nécessite deux adultes. La scie à ruban avec structure en acier 355,6 mm (14 po) DELTA® est lourde, soulevez-la et manipulez-la avec précautions! Le non-respect peut entraîner de graves blessures et/ou des dommages à l'appareil et/ou à des biens!

Levez la scie avec précaution sur le support monté et alignez les quatre trous à la base de la scie avec les trous en haut du support. Fixez la scie sur le support avec quatre boulons hexagonaux M8 X 20 avec rondelles plates M8, rondelles de blocage M8 et écrous hexagonaux M8.

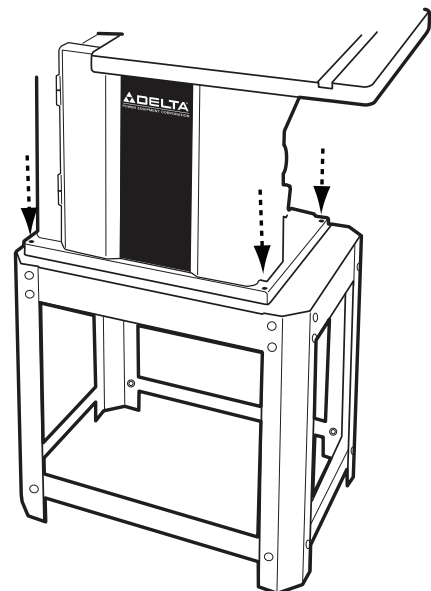


FIGURE 4

# MONTAGE

## INSTALLER LA POIGNÉE DE TENSION DE LA LAME DE LA LAME

Voir Figure 5.

- Placez la poignée de tension de la lame (A) sur la broche de serrage de la lame (B) située au sommet de l'appareil.

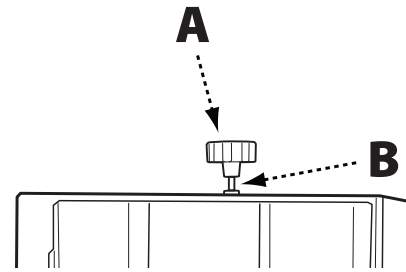


FIGURE 5

## INSTALLER LA LAME DE LA SCIE À RUBAN

**REMARQUE :** la lame de votre scie à ruban avec structure en acier 355,6 mm (14 po) DELTA® est livrée comme une bobine enroulée. Pour dérouler la lame, lancez-la doucement au sol en vous assurant de la lancer loin de vous et de toute autre personne. Quand la lame touche le sol, elle se déroule automatiquement. Sinon, lancez-la de nouveau jusqu'à ce qu'elle se déroule.

- Ouvrez les boîtiers supérieur et inférieur de la scie en tournant la poignée de verrouillage du boîtier (A) dans le sens des aiguilles d'une montre. Voir figure 6.
- Localisez la poignée de tension de lame (B) en haut de l'appareil et tournez-la de plusieurs tours dans le sens inverse des aiguilles d'une montre pour baisser le volant supérieur.
- Insérez avec soin la lame à travers la fente dans la table (A) en vous assurant que les dents de la lame sont orientées en bas vers la table. Voir Figure 7.
- Quand la lame est dans la fente de la table de la scie, tournez-la de 90° dans le sens des aiguilles d'une montre, vers vous. Les dents de la lame doivent à présent être face à vous.
- Glissez avec soin la lame à travers la fente supérieure (B) et la fente inférieure (C) situées à droite du garde-roue.

- Enroulez la partie supérieure de la lame sur le roulement supérieur et la partie inférieure de la lame sur le roulement inférieur. Voir Figure 8. Si vous devez créer un mou supplémentaire, tournez la poignée de tension de la lame (D) dans le sens inverse des aiguilles d'une montre jusqu'à ce que la lame puisse être glissée sur les deux volants.
- Serrez la poignée de tension de la lame jusqu'à ce qu'une tension suffisante soit exercée sur la lame. (Voir « Régler la tension de la lame » page 32).

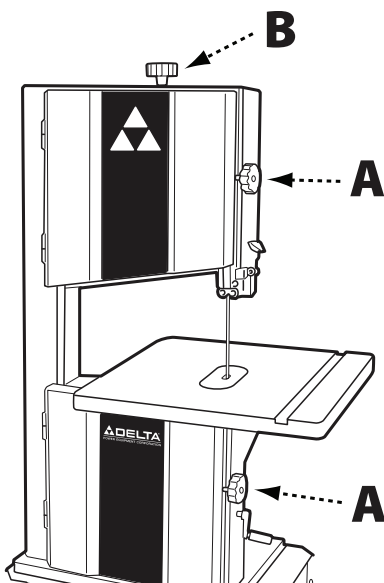


FIGURE 6

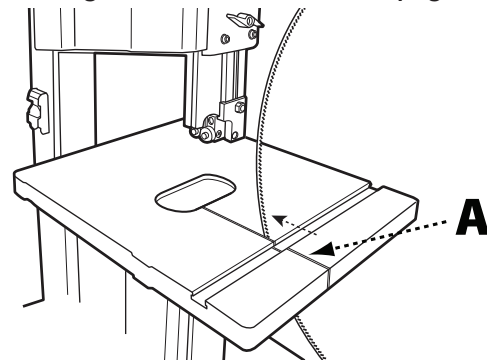


FIGURE 7

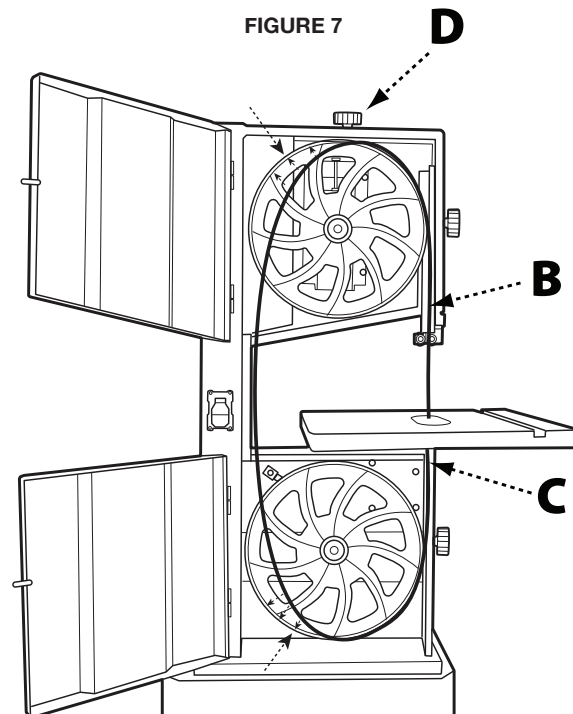


FIGURE 8

**REMARQUE :** quand votre scie à ruban DELTA® est installée, vous voudrez peut être couper plusieurs rebuts de différentes espèces et épaisseurs de bois. Vérifiez la courbe de la coupe et augmentez la tension de la lame si nécessaire. Des tailles de lames différentes requièrent aussi des réglages de tension différents.

## RÉGLER LE SUIVI DE LA LAME

Voir Figure 9.

**⚠ AVERTISSEMENT :** Débranchez l'appareil de la source d'alimentation avant de faire des ajustements!

**IMPORTANT :** avant le suivi de la lame, vérifiez que les guides de lame et paliers de support de lame sont à l'écart de la lame.

- Après avoir appliqué une tension sur la lame, ouvrez le garde-roue supérieur.
- Faites tourner lentement la roue vers l'avant à la main et observez le mouvement de la lame. Elle doit se déplacer au centre du roulement supérieur.
- Si la lame avance vers le bord avant, déverrouillez le verrou de suivi de lame (A) et tournez le bouton de suivi de lame (B) dans le sens des aiguilles d'une montre jusqu'à ce que la lame avance au milieu du roulement.
- Si la lame avance vers l'arrière du roulement, réglez le bouton de suivi de lame dans le sens inverse des aiguilles d'une montre.
- Verrouillez le verrou de suivi de lame, fermez et verrouillez le garde-roue supérieur.

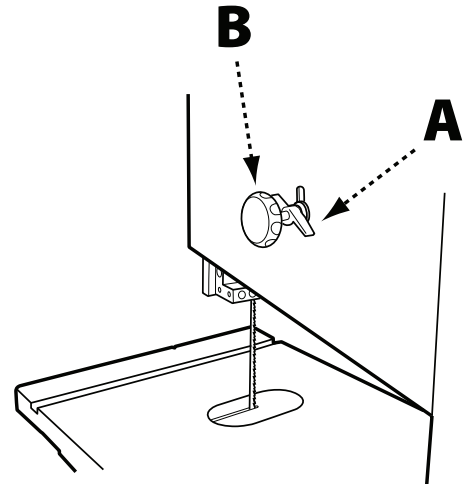


FIGURE 9

## INSÉRER LA PLAQUE LUMIÈRE

Voir Figure 10.

**⚠ AVERTISSEMENT :** Déconnectez l'appareil de la source d'alimentation!

- Insérez la plaque lumière (A) dans la fente de la table afin que l'onglet de la plaque lumière entre dans la rainure de la table.
- Assurez-vous que l'avant de la plaque lumière ne soit pas plus haut que la surface de la table. Pour régler la hauteur de la plaque lumière, faites tourner les deux vis de fixation (B) vers le haut ou le bas.

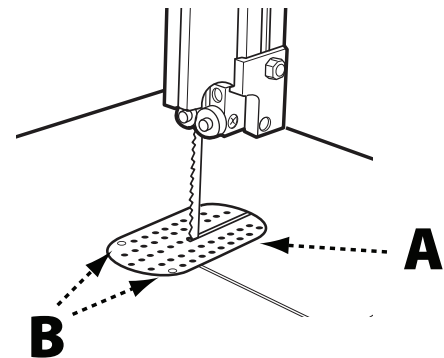


FIGURE 10

## ALIGNER LA TABLE ET LA LAME

**⚠ AVERTISSEMENT :** Déconnectez l'appareil de la source d'alimentation!

Placez une équerre de charpentier (A) contre l'avant et l'arrière de la lame et vérifiez l'alignement de la table. Si la table n'est pas alignée, consultez la figure 11 et procédez comme suit :

- Levez l'ensemble de guide de lame supérieur en desserrant la poignée de verrouillage (B).
- Desserrez l'écrou hexagonal (C) sur le tourillon inférieur avec une clé à fourche 12 mm et réglez la vis de fixation jusqu'à ce que la table soit alignée avec la lame à l'avant et à l'arrière.
- Serrez l'écrou hexagonal et utilisez l'équerre pour confirmer la bonne position de la table.
- Vérifiez le curseur sur le niveau d'inclinaison situé sur le tourillon inférieur et réinitialisez si nécessaire pour une valeur de 0°.

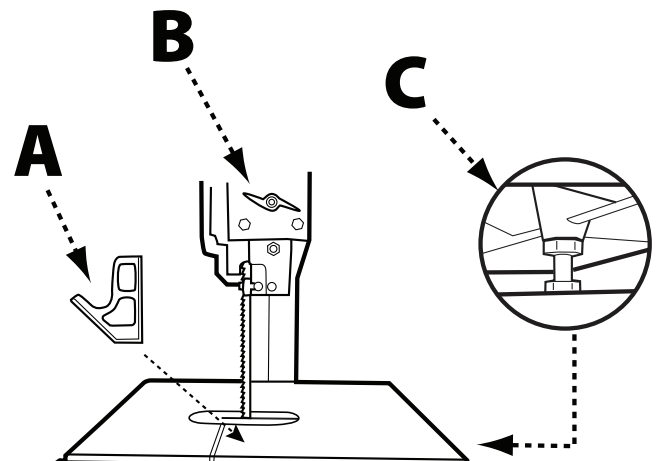


FIGURE 11

# FONCTIONNEMENT

## DÉMARRAGE ET ARRÊT DE LA SCIE

**⚠ AVERTISSEMENT :** Assurez-vous que l'interrupteur est à la position « OFF » (Arrêt) avant de brancher le cordon dans la prise. Ne touchez pas aux broches métalliques de la fiche au moment de brancher ou de débrancher le cordon.

**⚠ AVERTISSEMENT :** Ne faites pas fonctionner cet appareil sans d'abord l'avoir relié à un système adéquat de collecte de la poussière.

**REMARQUE :** la scie à ruban avec structure en acier 355,6 mm (14 po) DELTA® utilise une clé de sécurité (A), montrée à la Figure 12. La clé de sécurité doit être en place afin d'utiliser l'appareil. Avant d'essayer d'allumer la scie à ruban, assurez-vous que la clé de sécurité est installée.

L'interrupteur d'alimentation est situé sur le côté gauche de l'appareil. Mettez l'appareil sur « ON » (Marche), assurez-vous que la clé de sécurité jaune est installée et levez l'interrupteur d'alimentation rouge (B). Pour éteindre l'appareil, appuyez sur l'interrupteur d'alimentation rouge.

**⚠ ATTENTION :** En cas de panne de courant (comme un saut de disjoncteur ou de fusible), mettez toujours l'interrupteur en position « OFF » (Arrêt) jusqu'à ce que le courant soit rétabli.

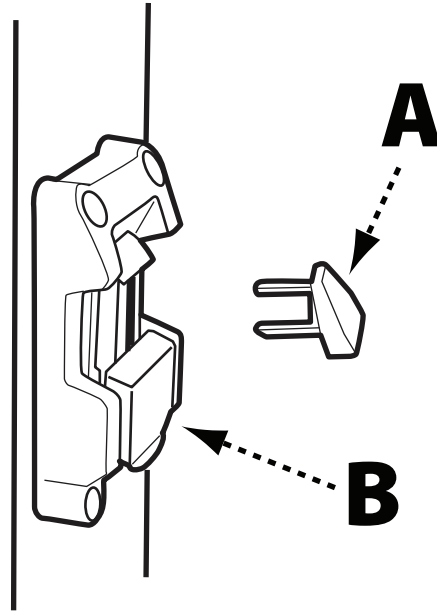


FIGURE 12

## UTILISER LA CLÉ DE SÉCURITÉ POUR VERROUILLER L'INTERRUPTEUR EN POSITION « OFF »

Lorsque l'appareil n'est pas utilisé, l'interrupteur doit être verrouillé sur la position « OFF » (« ARRÊT »). Ceci peut être effectué en saisissant la clé de sécurité (A), comme indiqué à la Figure 12 et en la retirant de l'interrupteur. Une fois la clé de sécurité retirée, l'interrupteur ne fonctionnera plus. Si la clé

de sécurité est retirée durant le fonctionnement de l'appareil, l'interrupteur pourra être positionné sur « OFF » (« ARRÊT ») une seule fois mais ne pourra être redémarré qu'en insérant la Clé de sécurité.

**IMPORTANT :** stockez la clé de sécurité à l'écart de l'outil pour éviter une utilisation non autorisée.

## SÉLECTION DE LA BONNE VITESSE DE COUPE

Votre scie à ruban avec structure en acier 14 po DELTA® a deux vitesses de coupe : basse (494 m/min (1 620 pi/min)) et élevée (1 018 m/min (3 340 pi/min)). La vitesse de coupe est déterminée en fonction de laquelle des deux roues de poulie, indiquées à la Figure 13, est utilisée.

La roue de poulie au diamètre le plus grand (A) est utilisée pour la vitesse de coupe inférieure alors que la roue au diamètre le plus petit (B) est utilisée pour la vitesse supérieure.

- Pour modifier la vitesse de coupe, ouvrez le garde-roue inférieur (C).
- Consultez le schéma et les instructions (D) indiqués à l'intérieur du garde-roue.
- Réduisez la tension sur la courroie de la poulie avec la poignée de tension de la courroie (E).
- Placez la courroie sur les bonnes roues et tournez à la main pour vous assurer qu'elle avance au centre des deux roues.
- Resserrez la courroie de la poulie avec la poignée de tension de la courroie.
- Fermez le garde-roue inférieur.

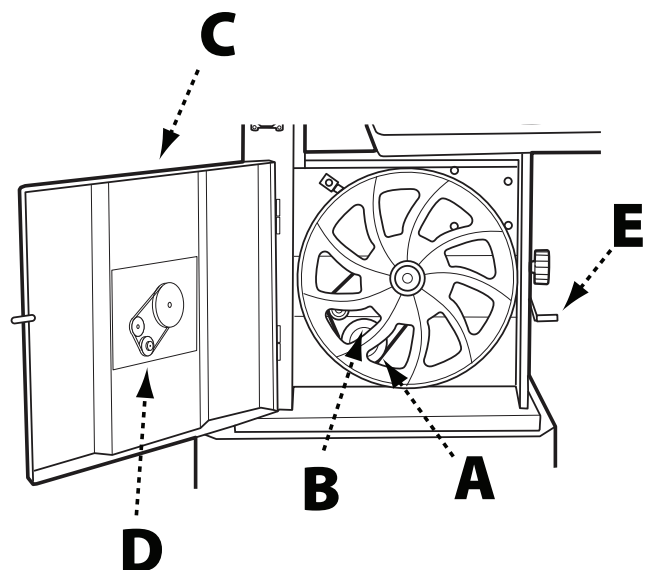


FIGURE 13

## INCLINER LA TABLE

**⚠ AVERTISSEMENT :** Déconnectez l'appareil de la source d'alimentation!

Voir Figure 14.

Vous pouvez incliner la table de la scie à ruban de 45° vers la droite. Pour incliner la table vers la droite :

- Desserrez le papillon de serrage d'inclinaison de la table noir (A) situé sous le tourillon inférieur.
- Inclinez la table selon l'angle souhaité comme indiqué sur le niveau d'inclinaison (B).
- Resserrez le papillon de serrage d'inclinaison de la table.

La table peut aussi être inclinée de 3° vers la gauche pour des applications telles que la coupe de pièces coulées. Pour incliner la table vers la gauche :

- suivez les instruction ci-dessus pour l'inclinaison de la table vers la droite. La table doit être suffisamment inclinée pour permettre l'accès au boulon d'arrêt à 0° (C) situé sur le tourillon inférieur.
- Retirez le boulon d'arrêt de 0°.
- Desserrez le papillon de serrage d'inclinaison de la table, inclinez la table jusqu'au bout vers la gauche.
- Resserrez le papillon de serrage d'inclinaison de la table.

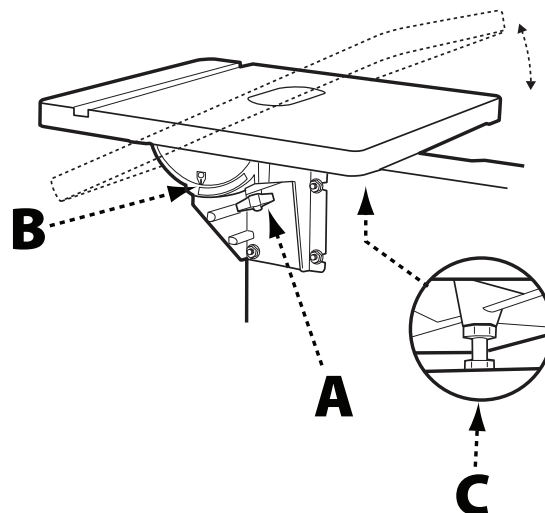


FIGURE 14

## POSITIONNER LE GUIDE DE LAME SUPÉRIEUR

**IMPORTANT :** le bon positionnement du guide de lame supérieur est nécessaire pour une coupe précise. Cela sert également à empêcher les doigts de l'opérateur d'entrer en contact avec la lame de la scie.

Voir Figure 15.

Le guide de lame supérieur (A) doit être placé à environ 1,6 mm (1/16 po) au-dessus du haut de la pièce, juste assez haut pour permettre à la pièce de passer sous l'ensemble du guide de lame.

Pour régler le guide de lame supérieur à la bonne hauteur :

- Desserrez la poignée de verrouillage (B) et déplacez l'ensemble du guide de lame à la position souhaitée.
- Resserrez la poignée de verrouillage.

**IMPORTANT :** avant d'utiliser la scie à ruban, vérifiez toujours la poignée de verrouillage de la colonne de guidage et serrez si nécessaire.

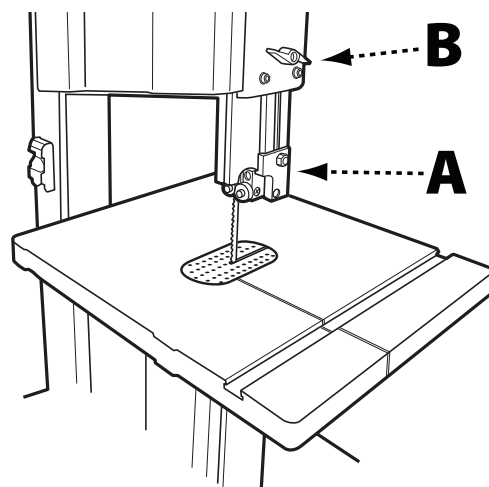


FIGURE 15

# FONCTIONNEMENT

## COUPER DES COURBES

Tournez le matériel avec précautions afin que la lame suive sans se tordre. Pour les courbes très prononcées, envisagez d'utiliser une lame plus étroite ou avec plus d'inclinaison. Une autre solution à ce problème est de faire des coupes en relief (Figure 16)

Lorsque vous retirez la pièce ou changez de coupe, assurez-vous de ne pas tirer accidentellement la lame hors des roues. Il est préférable de tourner le matériel et de couper à travers les déchets.

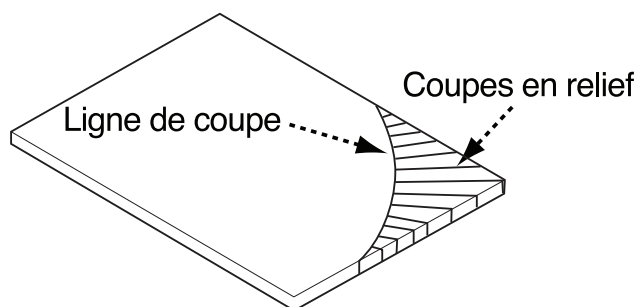


FIGURE 16

# AJUSTEMENTS

## RÉGLER LA TENSION DE LA LAME

**⚠ AVERTISSEMENT :** Débranchez l'appareil de la source d'alimentation avant de faire des ajustements!

Voir Figure 17. (indique l'installation comme dans l'échantillon à droite Légende : une lame standard doit avoir environ 6,4 mm (1/4 po) de déflexion de chaque côté.)

Sauf si vous avez un tensiomètre, l'obtention de la tension optimale de la lame requiert des essais et erreurs. Il existe de nombreuses méthodes suggérées pour obtenir la bonne tension.

La plupart des fabricants de lames recommandent 15 000 psi à 20 000 psi pour une lame en acier au carbone courante. Les lames plus solides bimétal, en acier à ressort et à plaquettes requièrent généralement 25 000 psi à 30 000 psi. Plus la lame est tendue, plus elle devient rigide et moins elle se plie dans la coupe.

Notez que la tension maximale de la lame est uniquement requise pour les coupes les plus difficiles, comme la refente de bois durs denses ou du matériel d'épaisseur maximale.

**REMARQUE :** les lames de scie à ruban DELTA® Timber Wolf® sont recommandées car elles sont conçues pour fonctionner avec moins de tension, ce qui augmente leur durée de vie. Suivez les consignes de serrage sur l'emballage

Pour vérifier et régler la tension de la lame sur votre scie à ruban avec structure en acier 355,6 mm (14 po) DELTA®, procédez comme suit :

**⚠ AVERTISSEMENT :** Débranchez l'appareil de la source d'alimentation avant de faire des ajustements!

- Si la lame se plie de plus de 6,4 mm (1/4 po), augmentez la tension sur la lame en serrant la poignée de tension de la lame en haut de l'appareil (consultez B à la Figure 6, page 28).
- Si la lame ne se plie pas du tout, elle peut être trop serrée. Desserrez légèrement la poignée de tension de la lame jusqu'à obtenir une déflexion minimale.

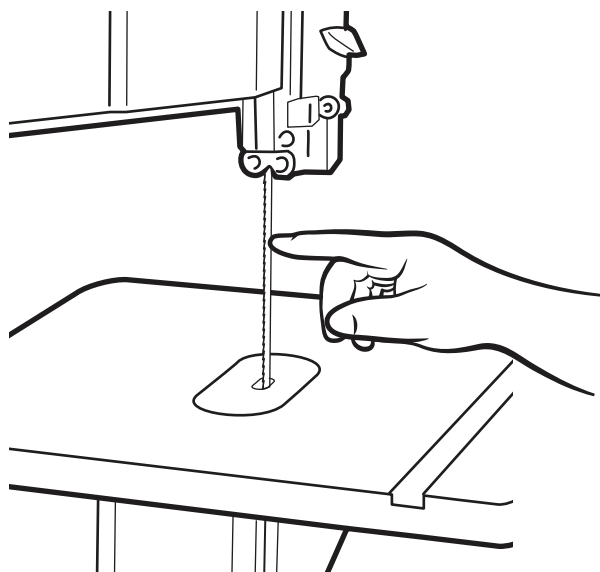


FIGURE 17

- Réglez l'ensemble du guide de lame supérieur à environ 152,4 (6 po) de la table.
- Exercez une pression modérée avec votre index pour pousser la lame de côté dans les deux directions. La lame ne doit pas se plier de plus de 6,4 mm (1/4 po) dans chaque direction.



# AJUSTEMENTS

## RÉGLER LES GUIDES DE LAME ET PALIERS

Voir Figure 18.

**⚠ AVERTISSEMENT :** Débranchez l'appareil de la source d'alimentation avant de faire des ajustements!

Réglez les guides de lame supérieurs et les paliers de support de lame uniquement quand la lame a la bonne tension et avance correctement.

La scie à ruban avec structure en acier 355,6 mm (14 po) DELTA® comporte deux paliers latéraux supérieur et inférieur et deux paliers arrières supérieur et inférieur pouvant être réglés afin d'assurer des coupes droites et continues. Il est recommandé de contrôler régulièrement la position de tous les paliers et de les régler au besoin.

### PALIERS LATÉRAUX

Les paliers latéraux supérieur et inférieur (A) doivent être placés de manière à laisser un espace d'environ 0,4 mm (1/64 po) de chaque côté de la lame. Pour régler la position des paliers, côte à côte, procédez comme suit :

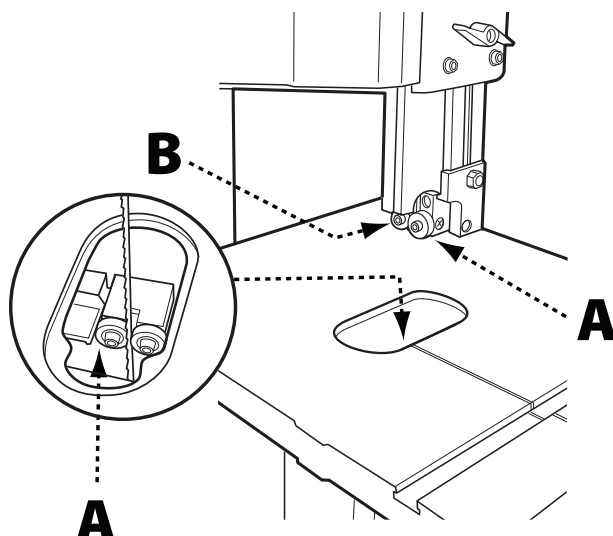


FIGURE 18

- Utilisez une clé Allen de 3 mm pour desserrer les vis du palier (B).
- Remplacez les paliers et serrez les vis du palier.

Les paliers latéraux supérieur et inférieur se règlent aussi vers l'arrière et l'avant et doivent être placés de manière à ce que le bord avant des paliers soit juste derrière le creux des dents de la lame. Pour régler la position des paliers, avant contre arrière, procédez comme suit :

- Utilisez une clé à fourche 13 mm pour desserrer l'écrou de serrage supérieur et une clé à fourche 10 mm pour desserrer l'écrou de serrage inférieur. (L'écrou de serrage inférieur peut être rendu plus accessible en inclinant légèrement la table.)
- Avec l'écrou de serrage desserré, les deux paliers latéraux supérieurs ou les deux paliers latéraux inférieurs avancent et reculent ensemble. Placez-les afin que le bord avant des paliers soit juste derrière le creux des dents de la lame.
- Resserrez les écrous de serrage.

### PALIERS ARRIÈRE

**REMARQUE :** les paliers latéraux supérieur et inférieur doivent tous deux être en place avant de régler les paliers arrière supérieur et inférieur.

Les paliers arrière supérieur et inférieur doivent être placés de manière à presque toucher la lame.

- Pour le réglage, utilisez une clé Allen de 3 mm pour desserrer les vis du palier.
- Remplacez les paliers et serrez les vis du palier.

## RÉGLER LE SUIVI DE LAME

Voir « Régler le suivi de lame » dans la section Montage de ce manuel, à la page 29.

# ENTRETIEN

## DÉMARRAGE ET ARRÊT DE LA SCIE

**⚠ AVERTISSEMENT :** Assurez-vous que l'interrupteur est en position « OFF » (Arrêt).

Pour réduire le risque de blessure, éteignez l'appareil et déconnectez-le de la source d'alimentation avant d'installer et de retirer les accessoires, avant le réglage ou lors des réparations.

Un démarrage inopportun peut provoquer des blessures.

### GARDER L'APPAREIL PROPRE

Souffler périodiquement de l'air comprimé sec sur tous les conduits d'air. Toutes les pièces en plastique doivent être nettoyées avec un chiffon doux humide.

Ne **JAMAIS** utiliser de solvant pour nettoyer les pièces en plastique. Il pourrait dissoudre ou endommager le matériel à la longue.

**⚠ AVERTISSEMENT :** Portez un équipement de sécurité certifié pour les yeux, une protection auditive et respiratoire lors de l'utilisation d'air comprimé

### ÉCHEC DU DÉMARRAGE

Si votre appareil ne démarre pas, vérifiez que les broches de la fiche du cordon sont bien insérées dans la prise. Vérifiez également la présence de fusibles grillés ou de disjoncteurs ouverts sur la ligne.

### GRAISSAGE ET PROTECTION CONTRE LA CORROSION

Appliquez chaque semaine de la cire à planchers de qualité résidentielle sur la table de l'appareil, la table à rallonges ou les autres surfaces de travail. Vous pouvez aussi utiliser un produit de protection disponible dans le commerce et conçu pour cet usage. Suivez les instructions du fabricant pour l'utilisation et la sécurité.

Pour nettoyer la rouille des tables en fonte, vous aurez besoin du matériel suivant : une feuille de patin de meulage manuel Scotch-Brite™, un pot de WD-40® et un pot de dégraissant. Appliquez le WD-40 et polissez la surface de la table avec le patin Scotch-Brite.

Dégraissez la table puis appliquez le produit de protection comme décrit ci-dessus :

## DÉPANNAGE

Des problèmes peuvent se produire malgré la qualité de l'entretien d'une scie à ruban. Le guide de dépannage suivant vous aidera à résoudre les problèmes les plus courants :

### PROBLÈME : LA SCIE NE DÉMARRE PAS.

#### Cause probable

1. Scie non branchée.
2. Fusible grillé ou disjoncteur déclenché.
3. Cordon endommagé.

#### Solution

1. Connectez la scie.
2. Remplacez le fusible ou réenclenchez le disjoncteur.
3. Faites remplacer le cordon.

### PROBLÈME : LE DISJONCTEUR SE DÉCLENCHE FRÉQUEMMENT.

#### Cause probable

1. Rallonge trop légère ou trop longue.
2. Alimentation trop rapide du matériel.
3. Lame en mauvais état (émoussée, déformée, abîmée).
4. Alimentation basse tension.

#### Solution

1. Remplacez avec un cordon de taille appropriée.
2. Alimentez le matériau plus lentement.
3. Nettoyez ou remplacez la lame.
4. Contactez un électricien

### PROBLÈME : LA SCIE À RUBAN VIBRE EXCESSIVEMENT.

#### Cause probable

1. L'appareil n'est pas bien fixé au support.
2. Support sur une surface non plane.
3. Courroie usée.
4. Poulie non alignée.
5. Moteur pas bien fixé.

#### Solution

1. Serrez tout le matériel de montage.
2. Remplacez sur une surface plate horizontale.
3. Remplacez la courroie.
4. Ajustez les poulies.
5. Serrez tout le matériel de montage.

# DÉPANNAGE

## **PROBLÈME : LA SCIE À RUBAN N'ATTEINT PAS LA VITESSE PRÉVUE.**

<b>Cause probable</b>	<b>Solution</b>
<ol style="list-style-type: none"> <li>1. Basse tension en raison d'une taille de rallonge inadaptée.</li> <li>2. Basse tension.</li> </ol>	<ol style="list-style-type: none"> <li>1. Remplacez avec un cordon de taille appropriée.</li> <li>2. Contactez un électricien.</li> </ol>

## **PROBLÈME : LES LAMES CASSENT.**

<b>Cause probable</b>	<b>Solution</b>
<ol style="list-style-type: none"> <li>1. Lame pas bien serrée.</li> <li>2. Guides de lame mal réglés.</li> <li>3. Palier de support de lame mal réglé.</li> <li>4. Mauvais réglage du suivi de la roue de lame.</li> <li>5. Mauvaise soudure sur la lame.</li> <li>6. Roulements usés.</li> <li>7. Lame large forcée sur un petit rayon.</li> <li>8. Lame émoussée ou inclinaison insuffisante.</li> <li>9. Guide de lame supérieur réglé trop haut.</li> </ol>	<ol style="list-style-type: none"> <li>1. Réglez la tension de la lame.</li> <li>2. Vérifiez et réglez les guides de lame.</li> <li>3. Réglez le palier de support de la lame.</li> <li>4. Vérifiez et réglez le suivi de la lame.</li> <li>5. Remplacez la lame.</li> <li>6. Remplacez les roulements.</li> <li>7. Changez pour une lame plus étroite.</li> <li>8. Remplacez la lame.</li> <li>9. Réglez le guide de lame supérieur à 3,2 mm (1/8 po) de la pièce.</li> </ol>

## **PROBLÈME : LA LAME NE SUIT PAS LA TRAJECTOIRE.**

<b>Cause probable</b>	<b>Solution</b>
<ol style="list-style-type: none"> <li>1. Lame trop desserrée</li> <li>2. Roue supérieure pas bien réglée.</li> <li>3. Palier de support de la lame mal réglé.</li> </ol>	<ol style="list-style-type: none"> <li>1. Réglez la tension</li> <li>2. Réglez la roue supérieure.</li> <li>3. Réglez le palier de support de la lame.</li> </ol>

## **PROBLÈME : LA COUPE NE CORRESPOND PAS AU RÉGLAGE SUR LE NIVEAU D'INCLINAISON.**

<b>Cause probable</b>	<b>Solution</b>
<ol style="list-style-type: none"> <li>1. Curseur dérégulé</li> </ol>	<ol style="list-style-type: none"> <li>1. Réglez le curseur.</li> </ol>

## **PROBLÈME : LA LAME NE RESTE PAS SUR LA ROUE.**

<b>Cause probable</b>	<b>Solution</b>
<ol style="list-style-type: none"> <li>1. Lame pas bien serrée.</li> <li>2. Guides de lame mal réglés.</li> <li>3. Palier de support de lame mal réglé.</li> <li>4. Mauvais suivi de la roue de lame.</li> <li>5. Mauvaise soudure sur la lame.</li> <li>6. Roulements usés.</li> </ol>	<ol style="list-style-type: none"> <li>1. Réglez la tension de la lame.</li> <li>2. Vérifiez et réglez les guides de lame.</li> <li>3. Réglez le palier de support de la lame.</li> <li>4. Vérifiez et réglez le suivi de la lame.</li> <li>5. Remplacez la lame.</li> <li>6. Remplacez les roulements.</li> </ol>

## **PROBLÈME : LA SCIE À RUBAN FAIT DES COUPES INSATISFAISANTES.**

<b>Cause probable</b>	<b>Solution</b>
<ol style="list-style-type: none"> <li>1. Lame pas bien serrée.</li> <li>2. Guides de lame mal réglés.</li> <li>3. Palier de support de lame mal réglé.</li> <li>4. Mauvais suivi de la roue de lame.</li> <li>5. Mauvaise soudure sur la lame.</li> <li>6. Roulements usés.</li> <li>7. Mauvaise lame pour le travail effectué.</li> <li>8. Lame émoussée ou inclinaison insuffisante.</li> <li>9. Guide de lame supérieur réglé trop haut.</li> </ol>	<ol style="list-style-type: none"> <li>1. Réglez la tension de la lame.</li> <li>2. Vérifiez et réglez les guides de lame.</li> <li>3. Réglez le palier de support de la lame.</li> <li>4. Vérifiez et réglez le suivi de la lame.</li> <li>5. Remplacez la lame.</li> <li>6. Remplacez les roulements.</li> <li>7. Changez la lame.</li> <li>8. Remplacez la lame.</li> <li>9. Réglez le guide de lame supérieur à 3,2 mm (1/8 po) de la pièce.</li> </ol>

# À PROPOS DES LAMES DE SCIE À RUBAN

Vous pouvez utiliser longtemps une lame de scie à ruban si vous l'utilisez correctement. Utilisez des lames de la bonne épaisseur, largeur et trempe pour les différents types de matériaux et de coupes.

Utilisez toujours la lame la plus large possible. Utilisez uniquement des lames étroites pour les petites courbes prononcées et le travail fin et délicat. Ceci économisera les lames et produira de meilleures coupes. Pour couper le bois et les matières semblables, DELTA® propose des lames de largeurs de 3,2 mm (1/8 po), 6,4 mm (1/4 po), 9,5 mm (3/8 po), 12,7 mm (1/2 po) y 19,1 mm (3/4 po).

N'importe quelle condition parmi de nombreuses possibilités peut faire casser une lame de scie à ruban. Dans certains cas, la rupture de la lame est inévitable car elle est le résultat naturel des tensions particulières auxquelles les lames sont soumises. Les lames cassent souvent pour des raisons pouvant être évitées, comme le manque de soin de la lame ou le mauvais ajustement de la lame sur la scie à ruban. Les causes de rupture de lame les plus fréquentes sont :

- Mauvais alignements et ajustements des guides.
- Forcer ou tordre une large lame autour d'une courbe de petit rayon.
- Alimenter trop rapidement la pièce dans la lame.
- Dents émoussées ou inclinaison insuffisante.
- Lame mal tendue.
- Guide supérieur réglé trop haut au-dessus de la pièce coupée.
- Utilisation d'une lame avec une brasure ou soudure bosselée ou mal finie.

- Fonctionnement continu de la lame de scie en dehors des coupes.

## CONSEILS :

- Utilisez des lames de 237,5 cm (93-1/2 po) de long sur cet appareil.
- Utilisez toujours une lame aiguisée. Gardez-la exempte de dépôts et de débris. Nettoyez fréquemment avec une brosse en fibres raides.
- Les lames étroites sont utilisées pour couper de petits cercles ou courbes alors que les lames plus larges sont plus adaptées à la coupe droite comme la coupe longitudinale.
- Dans la plupart des cas, une nouvelle lame donnera une meilleure performance et durera plus longtemps qu'une lame ré-aiguisée.
- Assurez-vous que les guides de lame sont bien ajustés.
- Ne forcez ou tordez pas la lame autour d'une courbe ou d'un rayon très court.
- Alimenter la pièce dans la lame à une vitesse constante, laissez la lame couper, n'alimentez pas la pièce trop vite.
- N'appliquez pas de tension excessive sur la lame. La tension est uniquement nécessaire pour faire avancer la lame sans glisser sur les roues. Les lames étroites requièrent moins de tension que les lames plus larges.

## ACCESSOIRES

Une gamme complète d'accessoires peut être obtenue auprès de votre fournisseur DELTA<sup>MD</sup>, des centres de service du fabricant DELTA<sup>MD</sup>, et des centres de services agréés DELTA<sup>MD</sup>. Rendez-vous sur notre site Web [www.DeltaMachinery.com](http://www.DeltaMachinery.com) pour obtenir un catalogue en ligne ou pour connaître le nom du fournisseur le plus près de chez vous.

**⚠ AVERTISSEMENT :** Étant donné que les accessoires autres que ceux offerts par DELTA<sup>MD</sup> n'ont pas été testés avec ce produit, leur utilisation pourrait s'avérer dangereuse. Pour assurer une utilisation plus sécuritaire, seuls les accessoires recommandés par DELTA<sup>MD</sup> devraient être utilisés avec ce produit.

## GARANTIE

Pour l'enregistrement de votre outil auprès du service de la garantie, rendez-vous sur notre site à l'adresse [www.DeltaMachinery.com](http://www.DeltaMachinery.com).

### Garantie limitée de cinq ans pour les produits neufs

DELTA<sup>MD</sup> réparera ou remplacera, à ses frais et à sa discrétion, tout nouvel appareil, pièce ou accessoire de l'appareil de DELTA<sup>MD</sup> qui, pour une usure normale, est jugé défectueux en raison d'un défaut de fabrication ou de matériau, à condition que le client retourne le produit prépayé à un centre de service du fabricant ou à un centre de service autorisé DELTA<sup>MD</sup> avec une preuve d'achat du produit dans les cinq ans après l'achat et offre à DELTA<sup>MD</sup> une occasion raisonnable de vérifier le défaut allégué au moyen d'une inspection. Pour tous les produits DELTA<sup>MD</sup> reconditionnés, la durée de garantie est de 180 jours. DELTA<sup>MD</sup> ne peut être tenu responsable de tout défaut confirmé issu de l'usure normale, d'une mauvaise utilisation, d'abus ou de réparations ou d'altérations faites ou expressément autorisées par quiconque autre qu'un centre de service ou un représentant de DELTA<sup>MD</sup> autorisé. En aucun cas, DELTA<sup>MD</sup> ne pourra être tenu pour responsable des dommages directs ou indirects résultant de produits défectueux. Certains États ne permettant pas l'exclusion ou la limitation des dommages directs ou indirects, la limitation ou exclusion peut ne pas s'appliquer à votre cas. Cette garantie est la seule garantie de DELTA<sup>MD</sup>, et elle devient le recours exclusif du client en ce qui concerne les produits défectueux; toute autre garantie, expresse ou implicite, que ce soit de la valeur marchande, de la capacité de remplir une fonction ou autre, est expressément exclue par DELTA<sup>MD</sup>. Pour plus de renseignements sur la couverture de la garantie et des informations sur les réparations sous garantie, rendez-vous sur notre site à l'adresse [www.DeltaMachinery.com](http://www.DeltaMachinery.com) ou appelez le 1 800 223-7278. Cette garantie vous donne des droits légaux spécifiques et vous pouvez avoir d'autres droits qui sont différents selon les États ou provinces.

**AMÉRIQUE LATINE :** La présente garantie ne s'applique pas aux produits vendus en Amérique latine. Pour les produits vendus en Amérique latine, veuillez consulter les renseignements au sujet de la garantie pour un pays particulier figurant sur l'emballage, appeler la compagnie locale ou consulter notre site Web pour plus de renseignements au sujet de la garantie.

## AIDE POUR LES PIÈCES, LE SERVICE OU LA GARANTIE

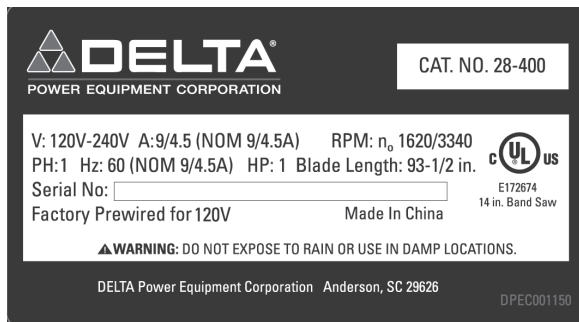
Tous les appareils et accessoires DELTA<sup>MD</sup> sont fabriqués selon des normes de qualité élevées et sont soutenus par un réseau de centres de service du fabricant DELTA<sup>MD</sup> et des centres de services DELTA<sup>MD</sup> autorisés. Pour en savoir davantage sur votre produit de qualité DELTA<sup>MD</sup> ou pour obtenir des pièces, du service, de l'aide concernant la garantie ou l'emplacement du centre de service le plus près de chez vous, veuillez composer le 1 800 223-7278.

### PIÈCES DE RECHANGE

Utilisez uniquement des pièces de rechange identiques. Pour obtenir une liste de pièces ou commander des pièces, rendez-vous sur notre site à l'adresse [www.DeltaMachinery.com](http://www.DeltaMachinery.com). Vous pouvez aussi commander des pièces auprès de votre représentant local, du centre de service de garantie autorisé ou en appelant le responsable du service technique au 1 800 223-7278 pour recevoir une assistance personnalisée de la part d'un de nos représentants hautement qualifié.

### REPLACEMENT GRATUIT DES ÉTIQUETTES DE MISE EN GARDE

Si vos étiquettes de mise en garde sont devenues illisibles ou si vous les avez perdues, composez le 1 800 223-7278 pour un remplacement gratuit.



#### ▲ WARNING FOR YOUR OWN SAFETY

1. READ AND UNDERSTAND INSTRUCTION MANUAL BEFORE OPERATING BAND SAW.
2. Always wear eye protection.
3. Do not wear gloves, neckties, jewelry or loose clothing.
4. Maintain proper adjustment of blade tracking and tension, blade guides and thrust bearings.
5. Adjust upper blade guard/guide to clear workpiece by no more than 1/4 in.
6. Always clamp stock firmly in place before cutting and use auxiliary support for long material.
7. Guards should be in place and used at all times.
8. Keep hands out of path of saw blade.
9. Do not remove jammed or cut-off pieces until blade has stopped.
10. Disconnect machine from power source before making repairs or adjustments.
11. Do not expose to rain or use in damp locations.

#### ▲ AVERTISSEMENT POUR VOTRE PROPRE SÉCURITÉ

1. LISEZ ET COMPRENEZ LE MANUEL D'INSTRUCTION AVANT D'UTILISER LA SCIE À RUBAN.
2. Portez toujours une protection oculaire.
3. Ne portez pas de gants, cravates, bijoux ou vêtements amples.
4. Veillez au bon réglage du suivi de la lame et de la tension, des guides de lame et des paliers de butée.
5. Réglez le guide/protège-lame supérieur pour libérer la pièce de 1/4 po au maximum.
6. Serrez toujours les pièces fermement en place avant de couper et utilisez un support auxiliaire pour les matériaux longs.
7. Les protections doivent être en place et utilisées en permanence.
8. Gardez les mains à l'écart du chemin de la lame de la scie.
9. Ne retirez pas les pièces coincées ou coupées avant l'arrêt de la lame.
10. Déconnectez l'appareil de la source d'alimentation avant d'effectuer des réparations ou des réglages.
11. N'exposez pas à la pluie et n'utilisez pas dans des endroits humides.

#### ▲ ADVERTENCIA POR SU PROPIA SEGURIDAD

1. ANTES DE OPERAR LA SIERRA DE BANDA, LEA Y ENTIENDA EL MANUAL DE INSTRUCCIONES.
2. Utilice protección ocular siempre.
3. No utilice guantes, corbatas, artoculos de joyería o ropa holgada.
4. Mantenga el ajuste apropiado de la tensión y el alineamiento de hoja de corte, las guías de la hoja y de los cojinetes de apoyo.
5. Ajuste el protector/guía de hoja superior de manera que exista solo una pequeña libranza por encima de material.
6. Siempre prensé la pieza de trabajo firmemente en su lugar antes de hacer cualquier corte y utilice soporte auxiliar para materiales largos.
7. La guarda debe de estar en su lugar y ser usada en todo momento.
8. Aparte las manos de la trayectoria de la hoja de la sierra.
9. No retire piezas cortadas o atascadas hasta que la hoja se haya detenido.
10. Desconecte la máquina de la fuente de energía antes de realizar ajustes o reparaciones.
11. No exponga a la intemperie ni tampoco haga uso de la herramienta en lugares húmedos.

DPEC001152

### SERVICE ET RÉPARATIONS

Tous les outils de qualité auront besoin de service et/ou d'un remplacement de pièces à un moment donné. Pour des renseignements au sujet de DELTA<sup>MD</sup> Power Equipment Corporation, ses filiales en usine ou pour trouver un centre de service de garantie autorisé, rendez-vous sur notre site à l'adresse [www.DeltaMachinery.com](http://www.DeltaMachinery.com) ou appelez notre service à la clientèle au 1 800 223-7278. Toutes les réparations réalisées par nos centres de service sont entièrement garanties contre les défauts de matériau et de fabrication. Nous ne pouvons garantir les réparations réalisées ou tentées par d'autres. En appelant ce numéro, vous pouvez également obtenir des réponses 24 heures sur 24 aux questions les plus fréquemment posées. Pour obtenir plus de renseignements, vous pouvez aussi nous écrire à l'adresse DELTA<sup>MD</sup> Power Equipment Corporation, 99 Roush Street, Anderson, SC 29625 - A l'attention de : Responsable du service technique. Assurez-vous de fournir tous les renseignements présents sur la plaque de votre outil (numéro de modèle, type, numéro de série, code de date, etc.)



# INSTRUCCIONES IMPORTANTES DE SEGURIDAD

**⚠ ADVERTENCIA:** **LEA Y COMPRENDA TODAS LAS ADVERTENCIAS E INSTRUCCIONES DE OPERACIÓN ANTES DE USAR ESTE EQUIPO.** No cumplir con todas las instrucciones enumeradas a continuación puede causar una descarga eléctrica, incendios y/o lesiones personales graves o daños a la propiedad.

Trabajar con madera puede ser peligroso si no se observan procedimientos de operación seguros y adecuados. Tal como sucede con toda maquinaria, existen determinados peligros asociados con la operación del producto. Utilizar esta máquina con respeto y cautela disminuirá considerablemente la posibilidad de lesiones personales. Sin embargo, no observar o ignorar las precauciones normales de seguridad podría causarle lesiones personales al operador. El equipo de seguridad, como los protectores, las varillas para empujar, los sujetadores, las tablas con canto biselado, las gafas protectoras, las máscaras para polvo y la protección auditiva pueden evitar el riesgo de lesionarse. Sin embargo, incluso el mejor protector no compensará la falta de sentido común, el descuido ni la distracción. ***Siempre aplique el sentido común*** y actúe con cautela en el taller. Si un procedimiento parece peligroso, no lo intente. Busque un procedimiento alternativo que parezca más seguro. **RECUERDE:** Su seguridad personal es su responsabilidad. Para obtener información adicional, visite nuestro sitio web en [www.DeltaMachinery.com](http://www.DeltaMachinery.com).



**⚠ ADVERTENCIA:** Esta máquina fue diseñada para determinadas aplicaciones únicamente. DELTA® Power Equipment Corporation recomienda encarecidamente que esta máquina no sea modificada ni utilizada para un uso que no sea aquel para el cual fue diseñada. Si tiene cualquier pregunta relacionada con una aplicación específica, NO use la máquina hasta que haya contactado primero a DELTA® para determinar si puede o debe realizarse en el producto.

Si tiene alguna pregunta relacionada con su uso, NO utilice el producto hasta que haya escrito a DELTA® Power Equipment Corporation y le hayamos dado el asesoramiento adecuado. Contáctenos en línea en [www.DeltaMachinery.com](http://www.DeltaMachinery.com) o por correo a Technical Service Manager, DELTA® Power Equipment Corporation, 99 Roush Street, Anderson, SC 29625.

La información relacionada con la operación segura y adecuada de esta herramienta está disponible en las siguientes fuentes:

- Power Tool Institute, 1300 Sumner Avenue, Cleveland, OH 44115-2851 o en Internet en [www.powertoolinstitute.com](http://www.powertoolinstitute.com)
- National Safety Council, 1121 Spring Lake Drive, Itasca, IL 60143-3201
- American National Standards Institute, 25 West 43rd Street, 4 floor, New York, NY 10036 [www.ansi.org](http://www.ansi.org) - ANSI 01.1 Requisitos de seguridad para máquinas que trabajan de carpintería
- Reglamentaciones del Departamento del Trabajo de EE. UU.: [www.osha.gov](http://www.osha.gov)

## NORMAS DE SEGURIDAD: DEFINICIONES

Este manual contiene información que es importante que usted conozca y comprenda. Esta información está relacionada con la protección de SU SEGURIDAD y la PREVENCIÓN DE PROBLEMAS CON EL EQUIPO. Para ayudarle a reconocer esta información, utilizamos los símbolos que figuran a continuación. Lea este manual y preste atención a estas secciones.

**⚠ PELIGRO:** Indica una situación peligrosa inminente que, de no evitarse, causará la muerte o lesiones graves.

**⚠ ADVERTENCIA:** Indica una situación potencialmente peligrosa que, de no evitarse, podría causar la muerte o lesiones graves.

**⚠ PRECAUCIÓN:** Indica una situación potencialmente peligrosa que, de no evitarse, puede causar lesiones menores o moderadas.

**PRECAUCIÓN:** Usado sin el símbolo de alerta de seguridad indica una situación potencialmente peligrosa que, de no evitarse, puede causar daños a la propiedad.



# REGLAS GENERALES DE SEGURIDAD

**⚠ ADVERTENCIA:** NO SEGUIR ESTAS REGLAS DE SEGURIDAD PUEDE OCASIONAR LESIONES PERSONALES GRAVES.

- **POR SU PROPIA SEGURIDAD, LEA Y COMPRENDA EL MANUAL DE INSTRUCCIONES ANTES DE OPERAR LA UNIDAD.** Conozca los usos y las limitaciones de la unidad, así como los peligros específicos propios de la misma.
- **MANTENGA LIMPIA EL ÁREA DE TRABAJO.** Las áreas y los bancos desordenados pueden provocar accidentes.
- **NO USE EN ENTORNOS PELIGROSOS.** No use esta unidad en lugares húmedos o mojados, ni la esponja a la lluvia. Mantenga el área de trabajo bien iluminada.
- **MANTENGA ALEJADOS A LOS NIÑOS Y VISITANTES.** Todos los niños y visitantes deben mantenerse a una distancia prudente del área de trabajo.
- **DESCONECTE LA UNIDAD** antes de efectuarle tareas de mantenimiento.
- **CONTROLE LAS PIEZAS DAÑADAS.** Antes de seguir usando la unidad, repare o reemplace de forma adecuada cualquier pieza que esté dañada.

**⚠ ADVERTENCIA:** NO OBSERVAR ESTAS REGLAS DE SEGURIDAD PUEDE OCASIONAR LESIONES GRAVES.

1. Lea y comprenda los carteles de advertencia de la máquina y de este manual. No cumplir con todas estas advertencias puede causar lesiones graves.
2. Reemplace las etiquetas de advertencia si se tornan borrosas o se desprenden.
3. Esta máquina está diseñada y destinada para ser utilizada únicamente por personal capacitado adecuadamente y experimentado. Si no está familiarizado con la operación adecuada y segura de una sierra cinta, no la utilice hasta recibir la capacitación y el conocimiento adecuados.
4. No utilice esta máquina para otra cosa que no sea su uso previsto. Si se utiliza para otros propósitos, DELTA® Power Equipment Corporation se exime de cualquier garantía real o implícita y se mantiene indemne ante cualquier lesión que pueda ser consecuencia de dicha utilización.
5. Siempre use gafas de seguridad o protectores faciales aprobados mientras esté utilizando esta sierra cinta.
6. Antes de operar esta sierra cinta, quítese corbatas, anillos, relojes y cualquier otra alhaja, y arremánguese más arriba del codo. Quítese toda la ropa suelta y sujétese el cabello largo. Se recomienda el uso de calzado y franjas de piso antideslizantes. No use guantes.
7. Use protectores auditivos (tapones u orejeras) durante períodos de operación extensos.
8. Parte del polvo creado por el lijado, el aserrado, el amolado, el barrenado y otras actividades de construcción contiene productos químicos que se sabe que causan cáncer, defectos congénitos y otros daños reproductivos. Algunos ejemplos de estos productos químicos son:
  - plomo de pinturas a base de plomo;
  - sílice cristalina de ladrillos, cemento y otros productos de albañilería;
  - arsénico y cromo de madera tratada químicamente.
9. No opere esta máquina cuando esté cansado o bajo los efectos de drogas, alcohol o cualquier medicamento.
10. Asegúrese de que el interruptor esté en la posición OFF (APAGADO) antes de conectar la máquina a una fuente de alimentación.
11. Asegúrese de que la máquina esté conectada a tierra de forma adecuada.
12. Desenchufe la máquina de la fuente de alimentación para realizar todos los ajustes y el mantenimiento de la misma.
13. Cree el hábito de verificar que todos los equipos adicionales, como llaves de ajuste, llaves, descartes, material y paños de limpieza, se alejen de la máquina antes de encenderla.
14. Mantenga los protectores de seguridad en su lugar en todo momento cuando la máquina esté en uso. Si se quitan por razones de mantenimiento, aplique extrema precaución y vuelva a colocar los protectores inmediatamente cuando se complete el mantenimiento.
15. Cerciórese de que la herramienta esté firmemente asegurada al piso antes de usarla.

Su riesgo de exposición varía dependiendo de la frecuencia con la que realice este tipo de trabajo. Para reducir su exposición a estos productos químicos, trabaje en un área bien ventilada y trabaje con equipos de seguridad aprobados, como máscaras faciales y para polvo que estén específicamente diseñadas para no dejar pasar las partículas microscópicas.

*continúa en la página 4*

16. Examine las piezas dañadas. Antes de seguir utilizando la máquina, debe examinarse cuidadosamente si el protector u otra pieza están dañados, para determinar que funcionarán adecuadamente y desempeñarán su función prevista. Examine la alineación de las piezas móviles, la unión de las piezas móviles, si hay piezas rotas, el montaje y cualquier otra condición que pueda afectar su funcionamiento. Los protectores o las otras piezas que estén dañados deben repararse o reemplazarse adecuadamente.
17. Provea un espacio adecuado alrededor del área de trabajo e iluminación superior antirreflejo.
18. Mantenga el piso alrededor de la máquina limpio y libre de descartes de material, aceite y grasa.
19. Mantenga a los visitantes a una distancia prudente del área de trabajo. Mantenga alejados a los niños.
20. Haga su taller a prueba de niños, mediante candados, interruptores generales o sacando las llaves de encendido.
21. Preste absoluta atención a su trabajo. Mirar alrededor, mantener una conversación y los juegos físicos bruscos son acciones negligentes que pueden ocasionar lesiones graves.
22. Mantenga una postura balanceada en todo momento para que no caerse ni apoyarse sobre la herramienta o sus piezas móviles. No se extralimite ni aplique fuerza excesiva para realizar cualquiera de las operaciones de la máquina.
23. Utilice la herramienta correcta, a la velocidad y tasa de alimentación adecuadas. No fuerce una herramienta o acoplamiento para que realicen un trabajo para el cual no fueron diseñados. La herramienta adecuada realizará mejor el trabajo y de manera más segura.

24. Utilice los accesorios recomendados; los accesorios incorrectos podrían ser peligrosos.
25. Realice el mantenimiento de la maquinaria con cuidado. Siga las instrucciones para lubricar y cambiar los accesorios.
26. Apague la máquina antes de limpiarla. Utilice un cepillo o aire comprimido para quitar el polvo o la suciedad; no utilice las manos.
27. No se pare sobre la máquina. Si la máquina se vuelca, podrían ocurrir lesiones graves.
28. Nunca deje la máquina funcionando sin supervisión. Apáguela y no deje la máquina hasta que se haya detenido completamente.
29. Sujete el material con firmeza en todo momento.
30. No utilice esta herramienta para otra cosa que no sea su uso previsto. Si se utiliza para otros propósitos, DELTA® Power Equipment Corporation se exime de cualquier garantía real o implícita y se mantiene indemne ante cualquier lesión o daño que pueda ser consecuencia de dicho uso.

**Familiarícese con los siguientes avisos de seguridad utilizados en este manual:**

**⚠ PRECAUCIÓN:** Esto significa que si no se siguen las precauciones, pueden presentarse lesiones menores y/o posibles daños a la máquina.

**⚠ ADVERTENCIA:** Esto significa que si no se siguen las precauciones, pueden presentarse lesiones graves o posiblemente incluso la muerte.

## REGLAS ADICIONALES DE SEGURIDAD

1. Use la hoja adecuada, del tamaño y tipo correcto.
2. Ajuste la guía superior de la hoja de manera que quede aproximadamente 3.2 mm (1/8 pulg.) arriba de la pieza de trabajo.
3. Ajuste correctamente la tensión y el desplazamiento de la hoja, las guías y los rodamientos de soporte de la hoja.
4. Nunca arranque la máquina con la pieza de trabajo contra la hoja.
5. Sostenga la pieza de trabajo firmemente y aliméntela a la hoja a una velocidad moderada.
6. Apague la máquina para sacar un corte incompleto o atorado.
7. Haga cortes "de alivio" ante de cortar curvas largas.
8. Apague la máquina y espere a que la hoja se detenga antes de limpiar el área de la hoja, retirar basura cerca de la hoja, retirar o asegurar la pieza de trabajo o cambiar el ángulo de la mesa. Una hoja en movimiento puede ser peligrosa.

**GUARDE ESTAS INSTRUCCIONES.**  
Consúltelas con frecuencia y utilícelas para instruir a otros.

# CONEXIONES DE ALIMENTACIÓN

Se debe utilizar un circuito eléctrico por separado para sus máquinas. Este circuito no debe ser inferior a un cable calibre 12 y debe estar protegido con un fusible con retardo de tiempo de 20 amperes. Si se utiliza un alargador eléctrico, use únicamente alargadores eléctricos trifilares con enchufes del tipo que tienen 3 clavijas con conexión a tierra y un tomacorriente equivalente que acepte el enchufe de la máquina. Antes de conectar la máquina a la línea de alimentación, cerciórese de que el interruptor esté en la posición "OFF" (APAGADO) y verifique que la corriente eléctrica sea de las mismas características que se indican en la máquina. Todas las conexiones a la línea deben hacer buen contacto. Hacerla funcionar en baja tensión dañará la máquina.

**⚠ PELIGRO:** NO EXPONGA LA MÁQUINA A LA LLUVIA NI LA OPERE EN LUGARES HÚMEDOS.

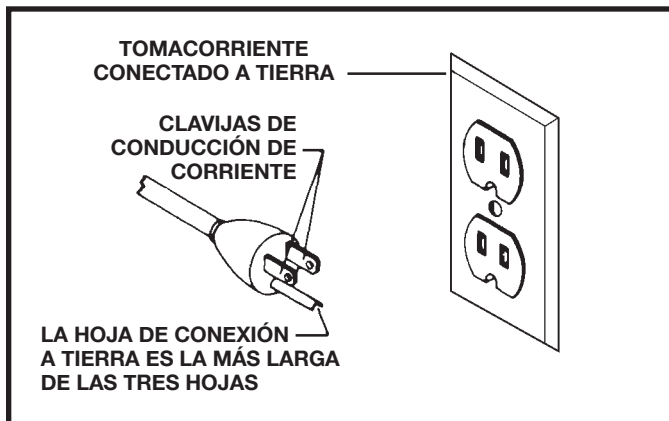


FIG. A

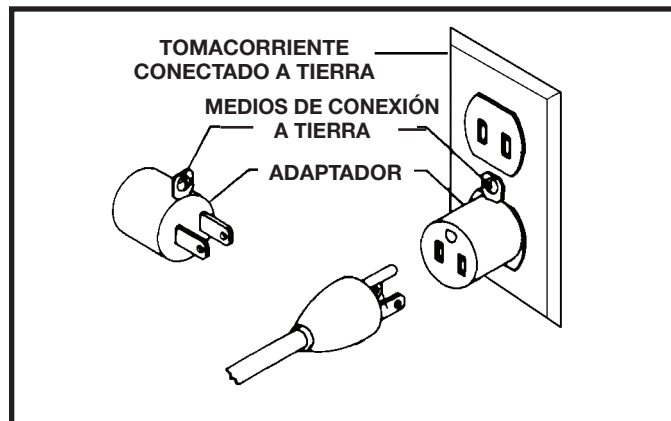


FIG. B

## ESPECIFICACIONES DEL MOTOR

Su máquina está cableada para 120/240 voltios de corriente alterna a 60 Hz. Antes de conectar la máquina a una fuente de alimentación, asegúrese de que el interruptor esté en la posición "OFF" (apagado).

## INSTRUCCIONES DE CONEXIÓN A TIERRA

**⚠ PELIGRO:** ESTA MÁQUINA DEBE ESTAR CONECTADA A TIERRA MIENTRAS ESTÉ EN USO PARA PROTEGER AL OPERADOR DE UNA DESCARGA ELÉCTRICA.

### 1. Todas las máquinas conectadas con cables y con conexión a tierra:

En caso de mal funcionamiento o avería, la conexión a tierra proporciona un pasaje de menor resistencia para la corriente eléctrica para reducir el riesgo de descarga eléctrica. Esta máquina está equipada con un cable eléctrico, que tiene un conductor que conecta el equipo a tierra y un enchufe de conexión a tierra. El enchufe debe estar enchufado en un tomacorriente equivalente, que esté instalado y conectado a tierra correctamente, según todos los códigos y ordenanzas locales.

No modifique el enchufe suministrado; si no calza en el tomacorriente, haga instalar el tomacorriente adecuado por un electricista certificado.

Conectar incorrectamente el conductor que conecta el equipo a tierra puede provocar riesgo de shock eléctrico. El conductor con aislamiento que tiene una superficie exterior verde con o sin rayas amarillas es el conductor que conecta el equipo a tierra. Si es necesario reparar o reemplazar el cable eléctrico o el enchufe, no conecte el conductor que conecta el equipo a tierra a una terminal activa.

Consulte con un electricista certificado o con el personal de servicio de mantenimiento si no comprende completamente las instrucciones de conexión a tierra o si tiene dudas sobre si la máquina está conectada a tierra adecuadamente.

Utilice únicamente alargadores eléctricos trifilares con enchufes del tipo que tienen tres clavijas y un tomacorriente equivalente de 3 conductores que acepten el enchufe de la máquina, como se muestra en la figura A.

Repare o reemplace inmediatamente el cable que esté dañado o deteriorado.

### 2. Las máquinas conectadas con cables y con conexión a tierra destinadas al uso en un circuito de alimentación que tiene un valor nominal de menos de 150 voltios:

Si la máquina se va a utilizar en un circuito que tiene un tomacorriente como el de la figura A, la máquina tendrá una clavija de conexión a tierra como la ilustrada en la figura A. Un adaptador temporal, como el ilustrado en la figura B, puede utilizarse para conectar esta clavija a un receptáculo adecuado de 2 conductores como el que se muestra en la figura B si no hay un tomacorriente con conexión a tierra disponible. El adaptador temporal debe

utilizarse únicamente hasta que un electricista calificado puede instalar un tomacorriente debidamente conectado a tierra. La pestaña, oreja o similar de color verde y rígida que se extiende del adaptador debe conectarse a una tierra permanente, tal como una caja de tomacorriente debidamente conectada a tierra. Cuando se utilice el adaptador, debe sostenerse en su lugar con un tornillo metálico.

**NOTA:** En Canadá, el Código Eléctrico Canadiense no permite el uso de un adaptador temporal.

En todos los casos, asegúrese de que el tomacorriente en cuestión esté conectado a tierra correctamente. Si no está seguro, haga que un electricista certificado verifique el tomacorriente.

**⚠ PELIGRO:** EN TODOS LOS CASOS, ASEGÚRESE DE QUE EL TOMACORRIENTE EN CUESTIÓN ESTÉ CONECTADO A TIERRA CORRECTAMENTE. SI NO ESTÁ SEGURO, HAGA QUE UN ELECTRICISTA CERTIFICADO VERIFIQUE EL TOMACORRIENTE.

### 3. Operación monofásica a 240 VOLTIOS

El motor que recibe con su máquina es de doble voltaje: 120/240 voltios. Se envía listo para poner en funcionamiento a 120 voltios. Sin embargo, puede convertirse para funcionar a 240 voltios.

La conversión la deberá realizar un electricista certificado o deberá llevar la máquina al centro de servicio Delta autorizado. Luego de la conversión, la máquina deberá cumplir con el Código Eléctrico Nacional, y con todos los códigos y ordenanzas locales.

La conversión de la máquina se realiza mediante el recableado del motor a 240 voltios. Dicha conversión se realiza colocando un enchufe de 240 voltios al cable de la fuente de alimentación y reemplazando el interruptor por uno que sea apto para funcionar a 240 voltios. Asegúrese de que el enchufe de 240 voltios se utilice únicamente en un tomacorriente que tenga la misma configuración que el enchufe que se muestra en la figura C. No debe utilizarse ningún adaptador con el enchufe de 240 voltios.

**⚠ PELIGRO:** EN TODOS LOS CASOS, ASEGÚRESE DE QUE EL TOMACORRIENTE EN CUESTIÓN ESTÉ CONECTADO A TIERRA CORRECTAMENTE. SI NO ESTÁ SEGURO, HAGA QUE UN ELECTRICISTA CERTIFICADO VERIFIQUE EL TOMACORRIENTE.

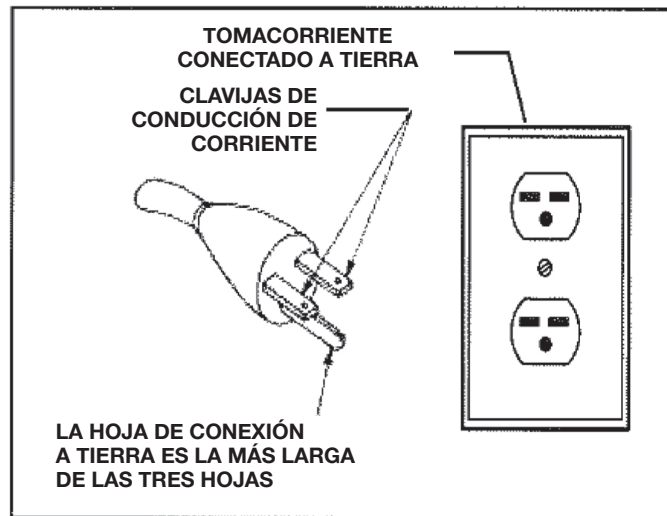


FIG. C

## ALARGADORES ELÉCTRICOS

**⚠ PRECAUCIÓN:** Utilice los alargadores eléctricos adecuados. Cerciñese de que los alargadores eléctricos estén en buenas condiciones y de que sean del tipo de alargadores eléctricos con 3 cables que tienen un enchufe con conexión a tierra con 3 clavijas y un tomacorriente equivalente que acepte el enchufe de la máquina. Cuando utilice un alargador eléctrico, asegúrese de que sea lo suficientemente resistente para soportar la corriente de la máquina. Un cable inferior causará una disminución en el voltaje de la línea, lo cual genera pérdida de potencia y recalentamiento. La tabla muestra el calibre correcto que se debe usar dependiendo del largo del cable. Si tiene dudas, utilice el siguiente calibre más resistente. Cuanto menor el número del calibre, más resistente es el cable.

ALARGADOR ELÉCTRICO DE CALIBRE MÍNIMO			
TAMAÑOS RECOMENDADOS PARA UTILIZAR CON MÁQUINAS ELÉCTRICAS FIJAS			
Amperaje	Voltios	Largo total del cable en metros (pies)	Calibre del alargador eléctrico
0-6	120	hasta 7.6 (25)	18 AWG
0-6	120	7.6-15.2 (25-50)	16 AWG
0-6	120	15.2-30.5 (50-100)	16 AWG
0-6	120	30.5-45.7 (100-150)	14 AWG
6-10	120	hasta 7.6 (25)	18 AWG
6-10	120	7.6-15.2 (25-50)	16 AWG
6-10	120	15.2-30.5 (50-100)	14 AWG
6-10	120	30.5-45.7 (100-150)	12 AWG
10-12	120	hasta 7.6 (25)	16 AWG
10-12	120	7.6-15.2 (25-50)	16 AWG
10-12	120	15.2-30.5 (50-100)	14 AWG
10-12	120	30.5-45.7 (100-150)	12 AWG
12-16	120	hasta 7.6 (25)	14 AWG
12-16	120	7.6-15.2 (25-50)	12 AWG
12-16	120	NO SE RECOMIENDA UNA LONGITUD MAYOR A 15.2 METROS (50 PIES)	

# CARACTERÍSTICAS Y COMPONENTES CLAVE

- A. Perilla tensionadora de la hoja
- B. Guarda de la rueda superior
- C. Interruptor eléctrico
- D. Mesa basculante de hierro fundido
- E. Ensamble de guía de la hoja
- F. Ranura en T para calibre de inglete
- G. Guarda de la rueda inferior
- H. Motor de 1 HP
- I. Manija tensionadora de la banda
- J. Base de la herramienta

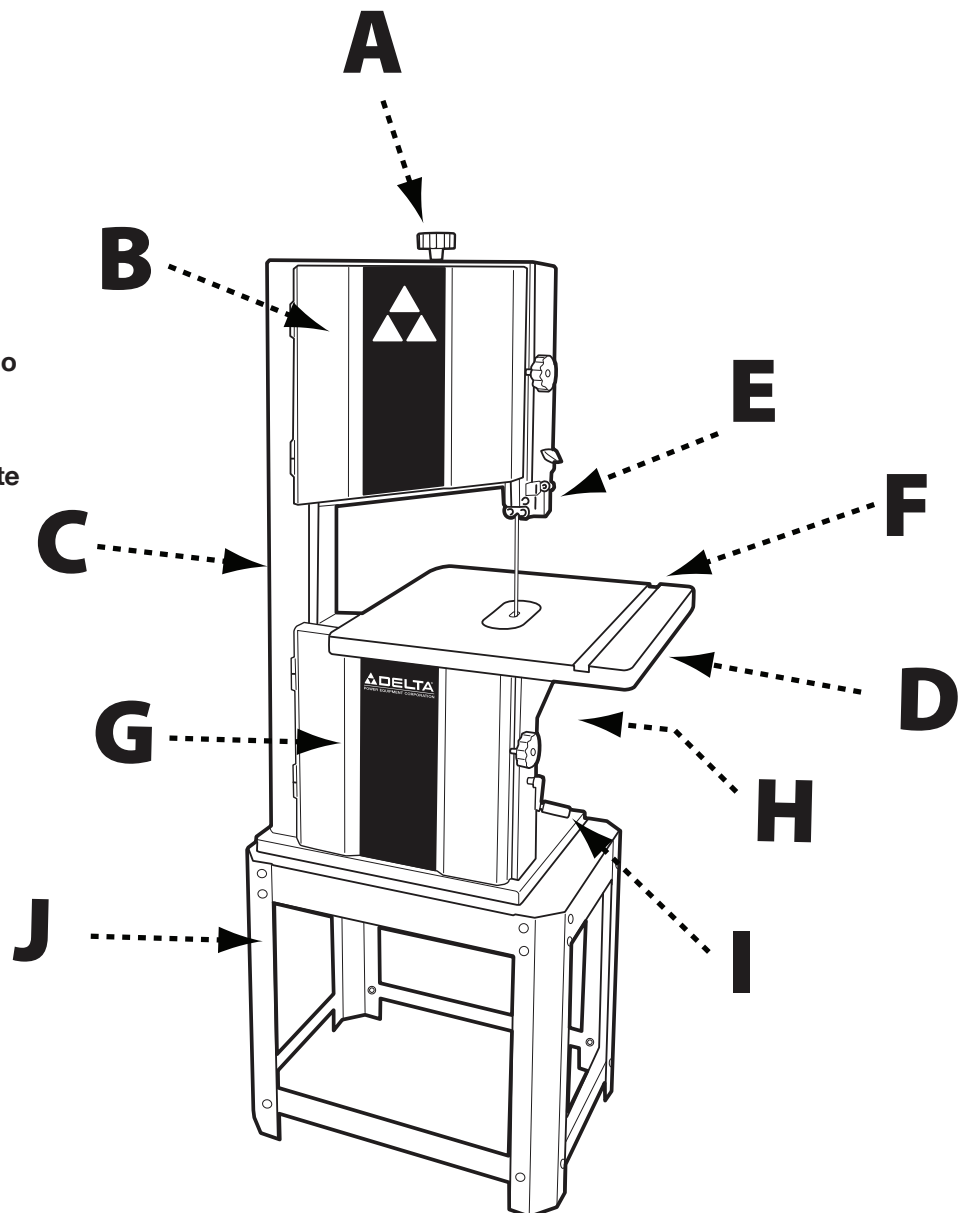


FIGURA 1

## DESCRIPCIÓN FUNCIONAL

La sierra cinta de bastidor de acero de 355.6 mm (14 pulg.) DELTA®, MODELO 28-400, está diseñada para distintas operaciones de corte repetitivo, corte transversal y de arranque para material de hasta 152.4 mm (6 pulg.) de altura y 346.1 mm (13-5/8 pulg.) de ancho. Cuenta con un motor de 1HP y dos velocidades que puede acoger hojas de 3.2 mm (1/8 pulg.) a 19.1 mm (3/4 pulg.) de ancho.



# ESPECIFICACIONES DEL PRODUCTO

Motor	1 HP, 120V
Capacidad de corte - Altura	152.4 mm (6 pulg.)
Capacidad de corte - Ancho	346.1 mm (13-5/8 pulg.)
Ancho mínimo de hoja	3.2 mm (1/8 pulg.)
Ancho máximo de hoja	19.1 mm (3/4 pulg.)
Longitud de la hoja	237.5 cm (93-1/2 pulg.)
Velocidad de la hoja - Baja	494 m/min (1620 pies/min)
Velocidad de la hoja - Alta	1018 m/min (3340 pies/min)
Tamaño de la mesa	400.1 mm x 479.4 mm (15-3/4 pulg. X 18-7/8 pulg.)
Tamaño de la ranura en T de la mesa (Px A)	9.5 mm x 19.1 mm (3/8 pulg. x 3/4 pulg.)
Altura de la mesa desde el piso	103.5 cm (40-3/4 pulg.)
Inclinación de la mesa	3° izquierda - 45° derecha
Diámetro del puerto para polvo	101.6 mm (4 pulg.)
Dimensiones generales (HxAxP)	68.6 cm X 48.3 cm X 166.4 cm (27 pulg. x 19 pulg. x 65-1/2 pulg.)
Peso neto	81.6 kg (180 lb)
Peso de envío	74.8 kg (165 lb)

## DESEMBALAJE

Desempaque cuidadosamente la máquina y todos los artículos sueltos del contenedor de envío. Retire el aceite de prevención de oxidación de las superficies no pintadas con un paño suave humedecido en alcohol mineral, diluyente de pintura o alcohol desnaturalizado.

No utilice solventes altamente volátiles como gasolina, nafta, acetona ni diluyente de laca para limpiar su máquina.

Después de limpiar, cubra las superficies no pintadas con una cera en pasta para piso residencial de buena calidad.

**AVISO:** La imagen que se encuentra en la portada del manual ilustra el modelo de producción actual. Todas las demás ilustraciones contenidas en el manual son representativas únicamente y pueden no mostrar los rótulos o accesorios incluidos. Tienen por objeto ilustrar la técnica únicamente.

**⚠ ADVERTENCIA:** Esta máquina es pesada, ¡sea cuidadoso cuando la retire del contenedor de envío! ¡No cumplir con este requisito puede causar lesiones graves y/o daños a la máquina y/o a la propiedad!

Su sierra cinta de bastidor de acero de 355.6 mm (14 pulg.) DELTA® se embala en un solo contenedor. Utilice una correa de seguridad para evitar que se vuelque cuando levante la máquina. Revise que la caja de envío y la máquina no muestren daños antes de desembalarla.

Abra el contenedor de envío. Con cuidado, quite los materiales de embalaje, las piezas y la máquina de la caja de envío. Siempre busque y retire los materiales de protección de envío que se encuentran alrededor de los motores y las piezas móviles. Ponga todas las piezas sobre una superficie de trabajo limpia y revise que no le falte ninguna y que todas estén en buenas condiciones:

### DESCRIPCIÓN (CANTIDAD)

- Patas de la base (4)
- Soportes inferiores para la base (4)
- Cubierta de la base (1)
- Paquete con elementos de ferretería para la base (1)
- Mesa de trabajo de hierro fundido (1)
- Muñón superior (1)
- Hoja de sierra cinta de 237.5 cm (93-1/2 pulg.) (1)
- Manija tensionadora de la hoja (1)
- Placa de garganta (1)
- Paquete con elementos de ferretería (1)

### CONTENIDO DEL PAQUETE CON ELEMENTOS DE FERRETERÍA DE LA BASE

- Pernos cabeza redonda cuello cuadrado M6 X 16 (24)
- Arandelas PLANAS M6 (24)
- Tuercas hexagonales M6 (24)
- Patas de caucho (4)

### CONTENIDO DEL PAQUETE CON ELEMENTOS DE FERRETERÍA DE LA HERRAMIENTA

- Pernos hexagonales M8 X 20 (8)
- Arandelas de seguridad M6 (4)
- Arandelas planas M6 (4)
- Perno alimentador de muñón (tamaño) (1)
- Arandela plana de 8 mm (1)
- Tuerca mariposa de seguridad para inclinación de mesa (1)
- Arandelas planas M8 (4)
- Arandelas de seguridad M8 (4)
- Tuercas hexagonales M8 (4)



## ENSAMBLAJE DE LA BASE

Consulte la Figura 2

- Coloque la superficie superior (A) boca abajo en una superficie nivelada. Coloque las cuatro patas (B) en la parte superior con pernos cabeza redonda cuello cuadrado M6 X 16, arandelas planas M6 y tuercas hexagonales M6.
- Coloque los cuatro soportes del riel inferior (C) con pernos cabeza redonda cuello cuadrado M6 X 16, arandelas planas M6 y tuercas hexagonales M6.
- Coloque las patas de caucho (D) en la parte inferior de las patas. Ponga la base ensamblada de pie.

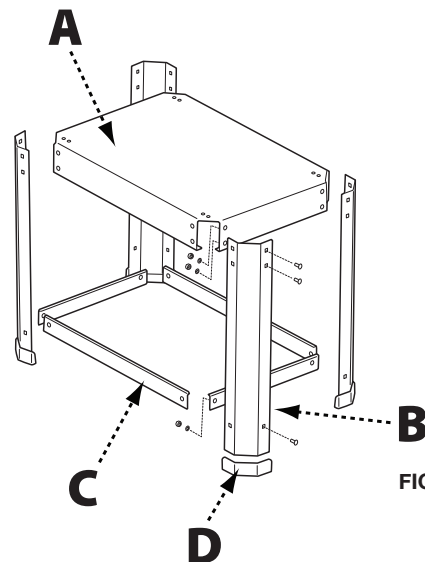


FIGURA 2

## SUJETE LA MESA AL SISTEMA DE MUÑONES DE MESA

Consulte la Figura 3

- Localice los cuatro orificios de montaje (A) en el muñón superior y una el muñón superior a la parte de abajo de la mesa con cuatro pernos hexagonales M8 X 20, arandelas de seguridad M6 y arandelas planas M6.
- Coloque el ensamble de la mesa de manera que el muñón superior encaje en el muñón inferior y el perno de alimentación del muñón (B) se extienda a través de la ranura del muñón inferior.

**NOTA:** El indicador de inclinación de la mesa (C) del muñón superior debe alinearse con la escala de inclinación de la mesa (D) del muñón inferior.

- Sujete el perno de alimentación del muñón con una arandela plana de 8 mm y tuerca mariposa negra de seguridad para la inclinación de la mesa (E).

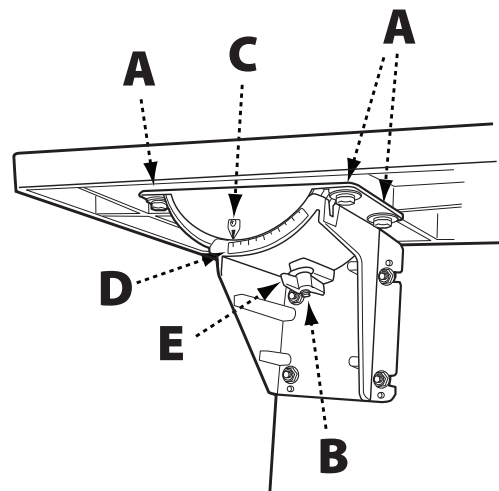


FIGURA 3

## INSTALE LA SIERRA EN LA BASE

Vea la figura 4.

**⚠ ADVERTENCIA:** Este paso necesita de dos adultos. La sierra cinta de bastidor de acero de 355.6 mm (14 pulg.) DELTA® es pesada, tenga cuidado al levantarla y manipularla. No cumplir con este requisito puede causar lesiones graves y/o daños a la máquina y/o a la propiedad.

Levante cuidadosamente la sierra para colocarla sobre la base ensamblada y alinee los cuatro orificios de la base de la sierra con los orificios de la parte superior de la base. Asegure la sierra a la base con cuatro pernos de cabeza hexagonal M8 X 20 con arandela plana M8, arandela de seguridad M8 y tuerca hexagonal M8.

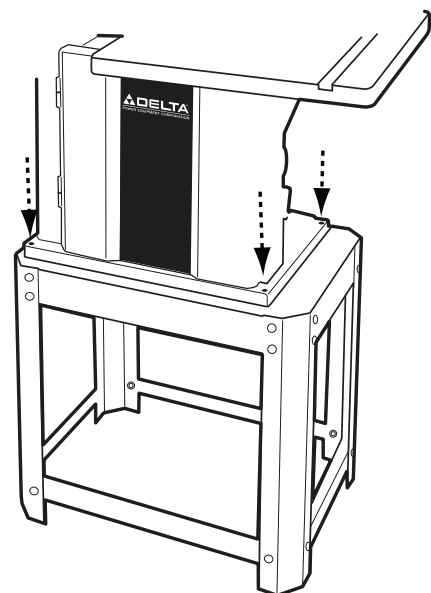


FIGURA 4

## INSTALE LA PERILLA TENSIONADORA DE LA HOJA

Vea la figura 5.

- Coloque la perilla tensionadora de la hoja (A) sobre el husillo tensionador de la hoja (B) localizado en la parte superior de la máquina.

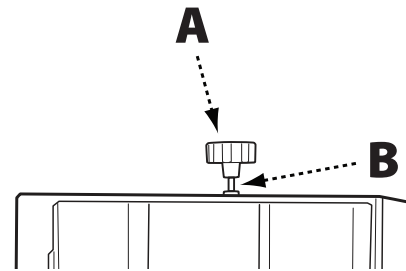


FIGURA 5

## INSTALE LA HOJA DE LA SIERRA CINTA

**NOTA:** La hoja de su sierra cinta de bastidor de acero de 355.6 mm (14 pulg.) DELTA® se envía enrollada. Para desenrollar la hoja, lánzela suavemente al suelo, asegurándose de lanzarla lejos de usted y de cualquier otra persona. Cuando la hoja caiga al suelo, se desenrollará automáticamente. Si esto no ocurre, vuelva a lanzarla hasta que se desenrolle.

- Abra los gabinetes superior e inferior de la sierra girando las perillas de seguridad del gabinete (A) hacia la derecha. Vea la Figura 6.
- Localice la perilla tensionadora de la hoja (B) en la parte superior de la máquina y gírela varias vueltas hacia la izquierda para bajar el volante superior.
- Alimente con cuidado la hoja a través de la ranura de la mesa (A), asegurándose de que los dientes de la hoja estén hacia abajo, hacia la mesa. Vea la figura 7.
- Una vez que la hoja esté en la garganta de la mesa de la sierra, gírela 90° hacia la derecha, hacia usted. Los dientes de la hoja ahora deben estar hacia usted.
- Deslice cuidadosamente la hoja a través de la ranura superior (B) y la ranura inferior (C) localizadas a la derecha de la guarda de la rueda.
- Enhebre la parte superior de la hoja sobre la llanta superior y la parte inferior de la hoja sobre la llanta

- inferior. Vea la figura 8. Si necesita crear holgura adicional, gire la perilla tensionadora de la hoja (D) hacia la izquierda hasta que la hoja puede deslizarse sobre los dos volantes.
- Apriete la perilla tensionadora de la hoja hasta que haya suficiente tensión en la hoja. (Vea "Ajuste de la tensión de la hoja" en la página 50)

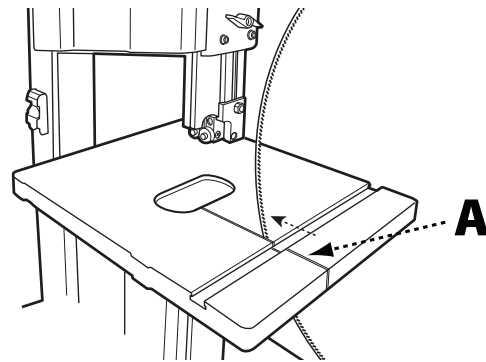


FIGURA 7

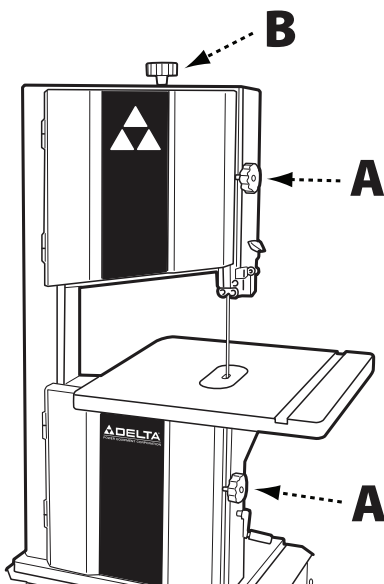


FIGURA 6

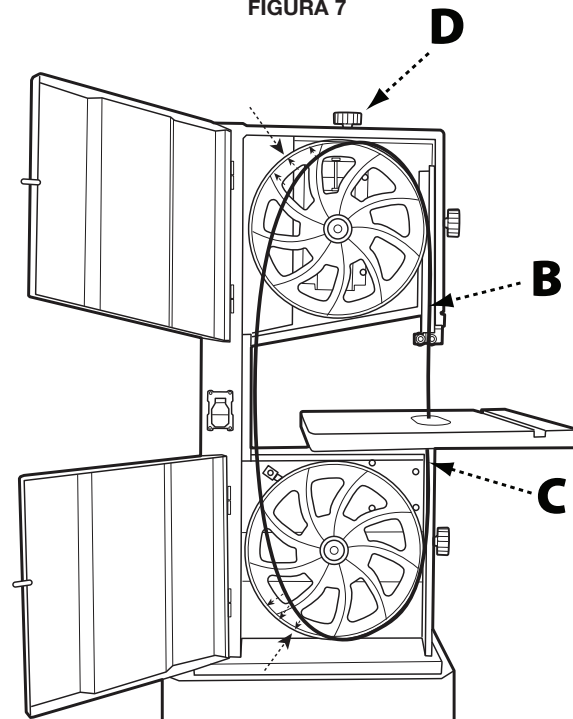


FIGURA 8

**NOTA:** Una vez que su sierra cinta DELTA® esté puesta a punto, quizá sea necesario cortar varios trozos de distintas especies y grosores de madera. Revise que el corte no quede curvado y añada más tensión a la hoja si es necesario. Diferentes tamaños de hoja también requerirán diferentes valores de tensión.

## AJUSTE DEL DESPLAZAMIENTO DE LA HOJA

Vea la figura 9.

**⚠ ADVERTENCIA:** Antes de realizar cualquier tipo de ajuste, desconecte la máquina de la fuente de alimentación.

**IMPORTANTE:** Antes de ajustar el desplazamiento de la hoja, confirme que las guías de la hoja y los rodamientos de soporte de la hoja no interfieran con la misma.

- Después de aplicar tensión a la hoja, abra la guarda de la rueda superior.
- Gire la rueda lentamente hacia delante a mano y observe el movimiento de la hoja. Debe desplazarse por el centro de la llanta superior.
- Si la hoja avanza hacia el borde delantero, quite el seguro de desplazamiento de la hoja (A) y gire la perilla de desplazamiento de la hoja (B) hacia la derecha hasta que la hoja se desplace consistentemente en el centro de la llanta.
- Si la hoja avanza hacia la parte posterior de la llanta, ajuste la perilla de desplazamiento de la hoja hacia la izquierda.
- Bloquee el seguro de desplazamiento de la hoja y cierre y bloquee la guarda de la rueda superior.

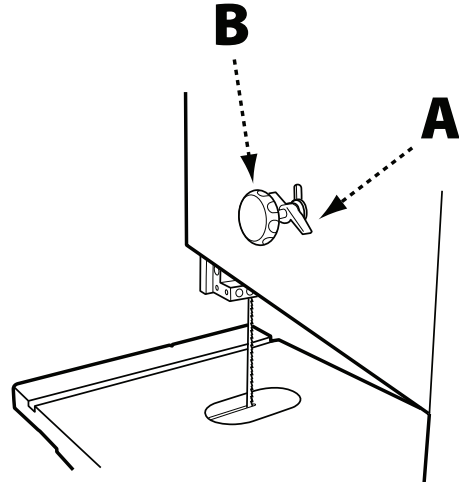


FIGURA 9

## INSERTE LA PLACA DE GARGANTA

Vea la figura 10.

**⚠ ADVERTENCIA:** Desconecte la máquina de la alimentación eléctrica.

- Coloque la placa de garganta (A) en la garganta de la mesa de manera que la pestaña de la placa de garganta encaje en la muesca de la mesa.
- Verifique para asegurarse de que el frente de la placa de garganta no esté más alto que la superficie de la mesa. Para ajustar la altura de la placa de garganta, gire los dos tornillos de fijación (B) ya sea hacia arriba o hacia abajo.

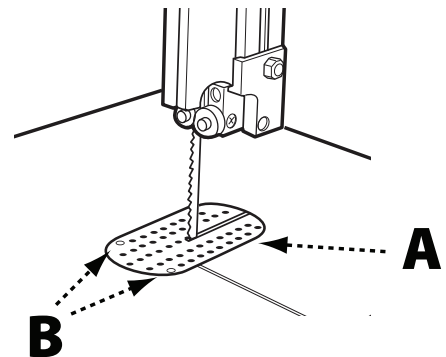


FIGURA 10

## CUADRE LA MESA A LA HOJA

**⚠ ADVERTENCIA:** Desconecte la máquina de la alimentación eléctrica.

Coloque una escuadra de carpintero (A) contra el frente y la parte posterior de la hoja y verifique la alineación de la mesa. Si la mesa está descuadrada, consulte la figura 11 y proceda como se indica a continuación:

- Eleve el ensamble de la guía de la hoja superior aflojando la perilla de seguridad (B).
- Afloje la tuerca de la brida (C) en el muñón inferior usando una llave de boca de 12 mm y ajuste el tornillo de fijación hasta que la mesa esté cuadrada con la hoja al frente y atrás.
- Apriete la tuerca de la brida y utilice la escuadra para confirmar la posición correcta de la mesa.
- Revise el apuntador de la escala de inclinación, localizado en el muñón inferior y reajuste si es necesario para que la lectura sea 0°.

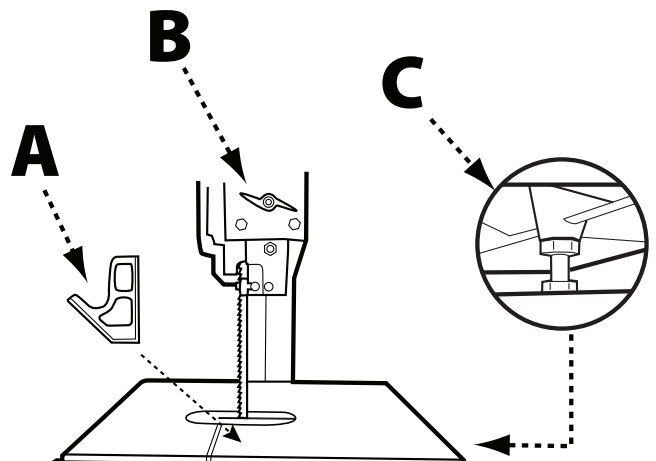


FIGURA 11

# FUNCIONAMIENTO

## ENCENDER Y DETENER LA SIERRA

**⚠ ADVERTENCIA:** Asegúrese de que el interruptor se encuentre en la posición "apagado" (off) antes de enchufar el cable de alimentación. No toque las clavijas metálicas del enchufe al desenchufar o enchufar el cable.

**⚠ ADVERTENCIA:** No intente operar esta herramienta sin conectarla primero a un sistema de recolección de polvo adecuado.

**NOTA:** La sierra cinta de bastidor de acero de 355.6 mm (14 pulg.) DELTA® utiliza una llave de seguridad (A) como se muestra en la figura 12. La llave de seguridad debe estar en su lugar para hacer funcionar la máquina. Antes de intentar encender la sierra cinta, asegúrese de que la llave de seguridad esté instalada.

El interruptor de encendido se localiza a la izquierda de la máquina. Para encender la máquina, asegúrese de que la llave de seguridad amarilla esté instalada y levante el interruptor rojo de encendido (B). Para apagar la máquina, presione el interruptor de encendido rojo hacia arriba.

**⚠ PRECAUCIÓN:** En caso de una interrupción del suministro eléctrico (como una desconexión de disyuntor o fusible), siempre mueva el interruptor a la posición de apagado hasta que se restablezca la energía principal.

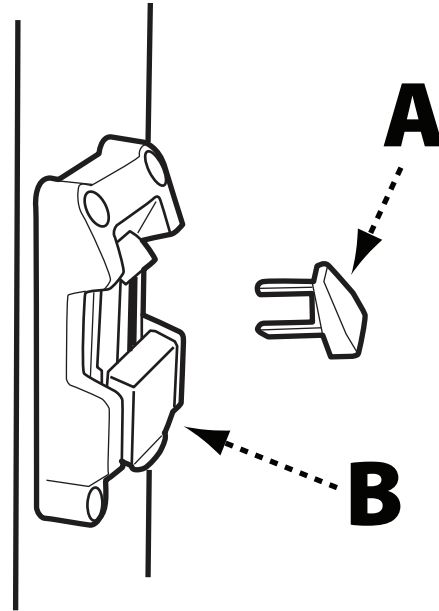


FIGURA 12

## USO DE LA LLAVE DE SEGURIDAD PARA BLOQUEAR EL INTERRUPTOR EN LA POSICIÓN DE APAGADO

Cuando la herramienta no esté en uso, el interruptor debe estar bloqueado en la posición de apagado. Esto puede hacerse tomando la llave de seguridad (A), como se muestra en la figura 12, y sacándola del interruptor. El interruptor no funcionará si no tiene la llave de seguridad adentro. En caso de que

la llave de seguridad se retire mientras la máquina esté en funcionamiento, el interruptor puede ponerse en "apagado" una vez, pero no puede reiniciarse sin insertar la llave de seguridad.

**IMPORTANTE:** Guarde la llave de seguridad lejos de la herramienta para evitar el uso no autorizado.

## SELECCIÓN DE LA VELOCIDAD DE CORTE ADECUADA

Su sierra cinta de bastidor de acero de 355.6 mm (14 pulg.) DELTA® tiene dos velocidades de corte: baja (494 m/min (1620 pies/min)) y alta (1018 m/min (3340 pies/min)). La velocidad de corte se determina dependiendo de cuál de las dos ruedas de polea que se muestran en la figura 13 se esté utilizando.

La rueda de polea de mayor diámetro (A) se utiliza para la velocidad de corte más baja, mientras que la rueda de menor diámetro (B) se utiliza para la velocidad más alta.

- Para cambiar la velocidad de corte, abra la guarda de la rueda inferior (C).
- Consulte el diagrama y las instrucciones (D) que se encuentran en el interior de la guarda de la rueda.
- Reduzca la tensión sobre la banda de la polea utilizando la perilla tensionadora de la banda (E).
- Coloque la banda en las ruedas correspondientes y gire a mano para asegurar que se desplace en el centro de ambas ruedas.
- Vuelva a aplicar tensión a la banda de la polea utilizando la perilla tensionadora de la banda.
- Cierre la guarda de la rueda inferior.

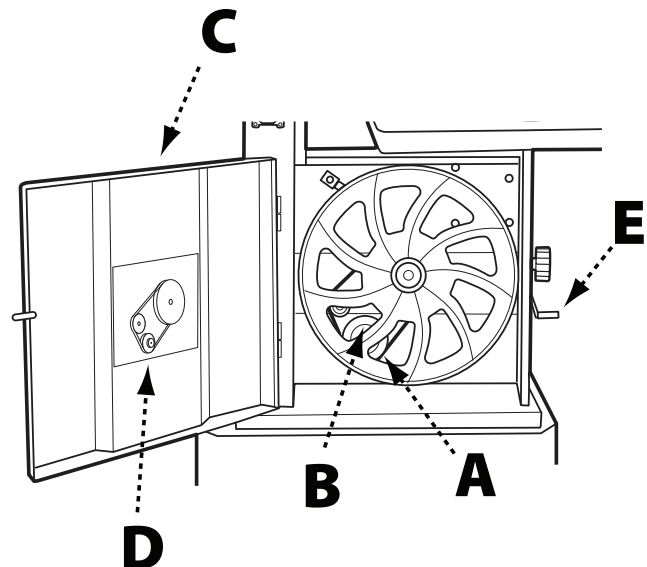


FIGURA 13

## INCLINACIÓN DE LA MESA

**⚠ ADVERTENCIA:** Desconecte la máquina de la alimentación eléctrica.

Vea la figura 14.

Puede inclinar la mesa de la sierra cinta hasta 45° a la derecha. Para inclinar la mesa hacia la derecha:

- Afloje la tuerca mariposa negra de seguridad de inclinación de la mesa (A) localizada debajo del muñón inferior.
- Incline la mesa al ángulo deseado como se muestra en la escala de inclinación (B).
- Vuelva a apretar la tuerca mariposa de seguridad de inclinación de la mesa.

La mesa también puede inclinarse 3° hacia la izquierda para aplicaciones tales como corte de piezas fundidas. Para inclinar la mesa hacia la izquierda:

- Siga las instrucciones anteriores para inclinar la mesa hacia la derecha. La mesa debe estar suficientemente inclinada para permitir acceso al perno de tope de 0° (C) localizado en el muñón inferior.
- Quite el perno de tope de 0°.
- Afloje la tuerca mariposa de seguridad de inclinación de la mesa e incline la mesa totalmente hacia la izquierda.
- Vuelva a apretar la tuerca mariposa de seguridad de inclinación de la mesa.

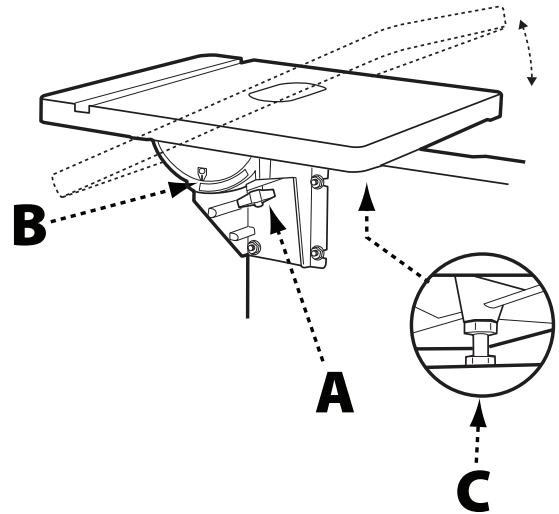


FIGURA 14

## POSICIONAMIENTO DE LA GUÍA DE LA HOJA SUPERIOR

**IMPORTANTE:** El posicionamiento correcto de la guía de la hoja superior se requiere para asegurar un corte preciso. También sirve para evitar que los dedos de los operadores entren en contacto con la hoja de la sierra.

Vea la figura 15.

La guía de la hoja superior (A) debe posicionarse aproximadamente 1.6 mm (1/16 pulg.) arriba de la parte superior de la pieza de trabajo, apenas con la altura suficiente para permitir que la pieza de trabajo pase debajo del ensamble de la guía de la hoja.

Para ajustar la guía de la hoja superior a la altura correcta:

- Afloje la perilla de seguridad (B) y mueva el ensamble de la guía de la hoja a la posición deseada.
- Vuelva a apretar la perilla de seguridad.

**IMPORTANTE:** Antes de utilizar la sierra cinta, siempre revise la perilla de seguridad del poste de la guía y apriete si es necesario.

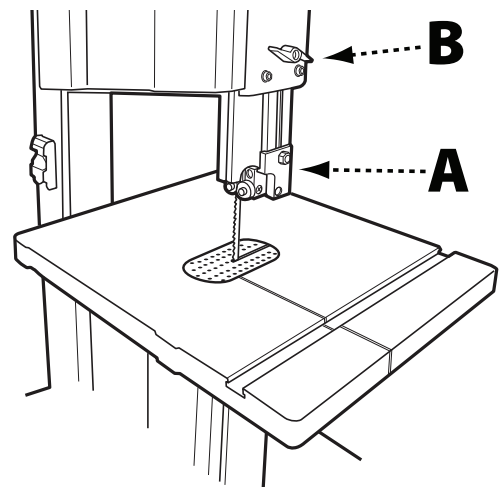


FIGURA 15

# FUNCIONAMIENTO

## CORTE DE CURVAS

Gire el material cuidadosamente para que la hoja siga sin torcerse. Para curvas muy abruptas, considere el uso de una hoja más angosta o una hoja con más fijación. Otra solución a este problema es hacer cortes de alivio (figura 16).

Al retirar la pieza de trabajo o cambiar el corte, tenga cuidado de no jalar accidentalmente la hoja, sacándola de las ruedas. La preferencia es girar el material y hacer el corte de salida por el material de desperdicio.

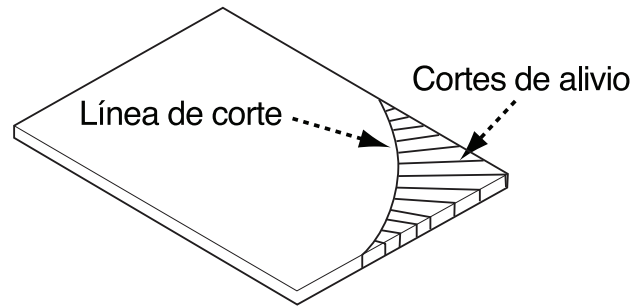


FIGURA 16

## AJUSTES

### AJUSTE DE LA TENSIÓN DE LA HOJA

**⚠ ADVERTENCIA:** Antes de realizar cualquier tipo de ajuste, desconecte la máquina de la fuente de alimentación.

Vea la figura 17. (show set up as in sample to the right Caption: Una hoja estándar debe tener aproximadamente 6.4 mm (1/4 pulg.) de desviación a cada lado).

A menos que tenga un medidor de tensión, lograr la tensión óptima de la hoja es cuestión de prueba y error. Existen varios métodos sugeridos para lograr la tensión correcta.

La mayoría de los fabricantes de hojas recomiendan 15,000 psi a 20,000 psi para una hoja común de acero al carbono. Las hojas más fuertes bimetálicas, de acero templado y de punta de carburo generalmente requieren de 25,000 psi a 30,000 psi. Mientras más estirada esté la hoja, más rígida se hace y menor tendencia tendrá a desviarse en el corte.

Debe tomarse en cuenta que la tensión máxima de la hoja sólo se requiere para los cortes más exigentes, tales como repetición del corte de maderas duras y densas o material de máximo grosor.

**NOTA:** Se recomiendan las hojas para sierra cinta Timer Wolf® de DELTA®, ya que están diseñadas para funcionar con menos tensión, con lo que aumenta su vida útil. Siga las direcciones de tensionamiento del paquete.

Para verificar y ajustar la tensión de la hoja de su sierra cinta de bastidor de acero de 355.6 mm (14 pulg.) DELTA®, haga lo siguiente:

**⚠ ADVERTENCIA:** Antes de realizar cualquier tipo de ajuste, desconecte la máquina de la fuente de alimentación.

- Coloque el ensamble de la guía de la hoja superior aproximadamente a 152.4 mm (6 pulg.) de distancia de la mesa.

- Utilice una cantidad moderada de presión con su dedo índice para presionar la hoja hacia los lados en ambas direcciones. La hoja no debe desviarse más de 6.4 mm (1/4 pulg.) en cualquier dirección.
- Si la hoja se desvía más de 6.4 mm (1/4 pulg.), aumente la tensión de la hoja apretando la perilla tensionadora de la hoja en la parte superior de la máquina (consulte B en la figura 6, página 46).
- Si la hoja no se desvía en absoluto, puede estar demasiado apretada. Afloje la perilla tensionadora de la hoja ligeramente hasta que haya una cantidad mínima de desviación.

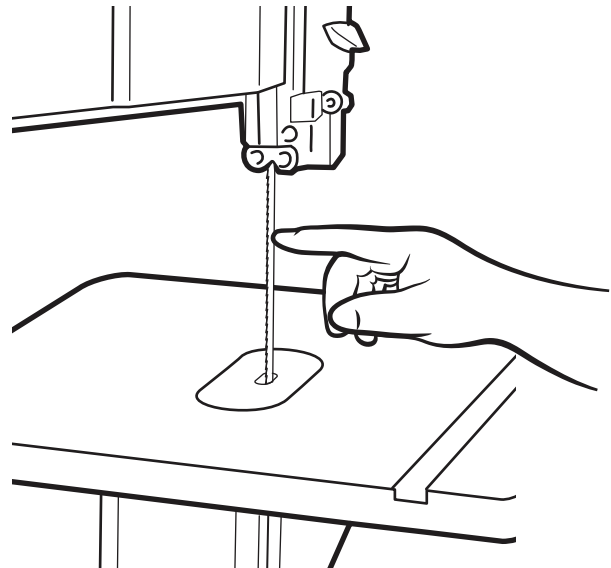


FIGURA 17



# AJUSTES

## AJUSTE DE LAS GUÍAS Y LOS RODAMIENTOS DE LA HOJA

Vea la figura 18.

**⚠ ADVERTENCIA:** Antes de realizar cualquier tipo de ajuste, desconecte la máquina de la fuente de alimentación.

Ajuste las guías superiores de la hoja y los rodamientos de soporte de la hoja únicamente después de que la hoja tenga la tensión correcta y se esté desplazando adecuadamente.

La sierra cinta de bastidor de acero de 355.6 mm (14 pulg.) DELTA® cuenta con dos rodamientos laterales superiores e inferiores y dos rodamientos traseros superiores e inferiores que pueden ajustarse para asegurar cortes rectos y consistentes. Se recomienda que revise periódicamente la posición de todos los rodamientos y los ajuste si es necesario.

### RODAMIENTOS LATERALES

Los rodamientos laterales superiores e inferiores (A) deben posicionarse de manera tal que haya aproximadamente un espacio de 0.4 mm (1/64 pulg.) a cada lado de la hoja. Para ajustar la posición de los rodamientos, de lado a lado, haga lo siguiente:

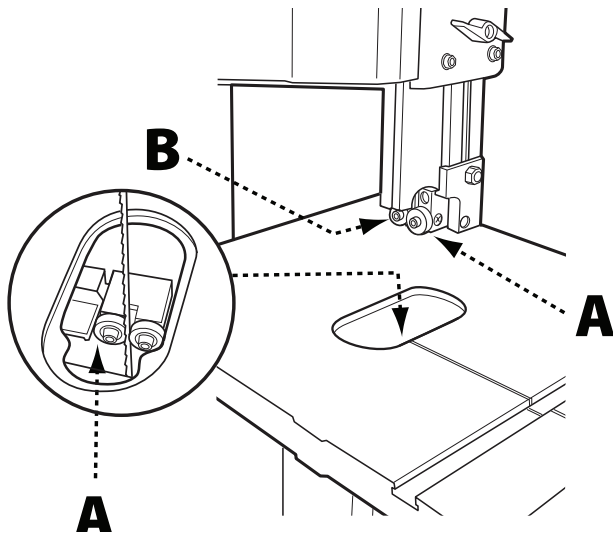


FIGURA 18

- Utilice una llave Allen de 3 mm para aflojar los tornillos de los rodamientos (B).
- Vuelva a posicionar los rodamientos y apriete los tornillos.

Los rodamientos laterales superiores e inferiores también se ajustan hacia atrás y hacia delante y deben posicionarse de manera tal que el borde frontal de los rodamientos esté justo detrás de la garganta de la hoja. Para ajustar la posición de los rodamientos, del frente hacia atrás, haga lo siguiente:

- Utilice una llave abierta de 13 mm para aflojar la tuerca de retención superior y una llave abierta de 10 mm para aflojar la tuerca de retención inferior. (La tuerca de retención inferior puede hacerse más accesible inclinando ligeramente la mesa).
- Con la tuerca de retención aflojada, los dos rodamientos laterales superiores o los dos rodamientos laterales inferiores se moverán hacia atrás y hacia delante como una unidad. Posiciónelos de manera que el borde delantero de los rodamientos quede justo atrás de la garganta de la hoja.
- Vuelva a apretar las tuerca de retención.

### RODAMIENTOS TRASEROS

NOTA: Tanto los rodamientos laterales superiores como inferiores deben estar en su lugar antes de ajustar los rodamientos traseros superiores e inferiores.

Los rodamientos traseros superiores e inferiores deben posicionarse de manera que casi toquen la hoja.

- Para ajustar, utilice una llave Allen de 3 mm para aflojar los tornillos de los rodamientos.
- Vuelva a posicionar los rodamientos y apriete los tornillos.

## AJUSTE DEL DESPLAZAMIENTO DE LA HOJA

Vea "Ajuste del desplazamiento de la hoja" en la sección de Ensamblaje de este manual, en la página 47.

# MANTENIMIENTO

## ENCENDER Y DETENER LA SIERRA

**⚠ ADVERTENCIA:** Asegúrese de que el interruptor esté en la posición de apagado. Para reducir el riesgo de lesiones, apague la unidad y desconéctela de la alimentación eléctrica antes de instalar y remover accesorios, antes de realizar ajustes o al hacer reparaciones.

Un encendido accidental puede causar lesiones.

### MANTENGA LA MÁQUINA LIMPIA

Realice periódicamente un soplado en todos los pasajes de aire con aire comprimido seco. Todas las piezas plásticas deben limpiarse con un paño suave húmedo.

**NUNCA** utilice solventes para limpiar las piezas plásticas. Es posible que disuelvan o causen otros daños en el material.

**⚠ ADVERTENCIA:** Utilice equipo de seguridad certificado para protección de los ojos, la audición y las vías respiratorias al utilizar aire comprimido.

### FALLA EN EL ENCENDIDO

En caso de que su máquina falle en el encendido, asegúrese de que las clavijas del enchufe del cable estén haciendo el contacto adecuado en el tomacorriente. Además, revise en busca de fusibles quemados o activación de disyuntores en la línea.

### LUBRICACIÓN Y PROTECCIÓN CONTRA OXIDACIÓN

Aplique cera en pasta para pisos residenciales a la mesa de la máquina, la mesa de extensión u otras superficies de trabajo cada semana. O utilice un producto de protección disponible comercialmente diseñado para este fin. Siga las instrucciones del fabricante para su uso y seguridad.

Para limpiar el óxido de las mesas de hierro fundido, necesitará los siguientes materiales: una hoja de fibra mediana Scotch-Brite™ Blending Hand Pad, una lata de WD-40® y una lata de desengrasante. Aplique el WD-40 y pule la superficie de la mesa con la fibra Scotch-Brite.

Desengrase la mesa, luego aplique el producto protector como se describe anteriormente.

## RESOLUCIÓN DE PROBLEMAS

A pesar del buen mantenimiento que se le dé a una sierra cinta, pueden presentarse problemas. La siguiente guía para resolución de problemas le ayudará a resolver los problemas más comunes:

<b>PROBLEMA: LA SIERRA NO ENCIENDE.</b>	
<b>Causa probable</b> <ol style="list-style-type: none"><li>1. La sierra no está enchufada.</li><li>2. Se quemó un fusible o se disparó un disyuntor.</li><li>3. El cable está dañado.</li></ol>	<b>Solución</b> <ol style="list-style-type: none"><li>1. Enchufe la sierra.</li><li>2. Reemplace el fusible o restablezca el disyuntor.</li><li>3. Cambie el cable.</li></ol>
<b>PROBLEMA: EL DISYUNTOR SE ACTIVA FRECUENTEMENTE.</b>	
<b>Causa probable</b> <ol style="list-style-type: none"><li>1. El alargador de corriente es demasiado ligero o demasiado largo.</li><li>2. Se está alimentando el material con demasiada rapidez.</li><li>3. La hoja está en malas condiciones (roma, deforme, engomada).</li><li>4. Suministro de bajo voltaje.</li></ol>	<b>Solución</b> <ol style="list-style-type: none"><li>1. Reemplace con un cable del tamaño adecuado.</li><li>2. Alimente el material más despacio.</li><li>3. Limpie o cambie la hoja.</li><li>4. Contacte a un electricista.</li></ol>
<b>PROBLEMA: LA SIERRA CINTA VIBRA EXCESIVAMENTE.</b>	
<b>Causa probable</b> <ol style="list-style-type: none"><li>1. La máquina no está montada firmemente a la base.</li><li>2. La base está sobre una superficie dispareja.</li><li>3. La banda está gastada.</li><li>4. La polea no está alineada.</li><li>5. El motor no está firmemente sujetado.</li></ol>	<b>Solución</b> <ol style="list-style-type: none"><li>1. Apriete toda la tornillería de montaje.</li><li>2. Reposicione en una superficie plana y nivelada.</li><li>3. Cambie la banda.</li><li>4. Ajuste las poleas.</li><li>5. Apriete toda la tornillería de montaje.</li></ol>

# RESOLUCIÓN DE PROBLEMAS

## **PROBLEMA: LA SIERRA CINTA NO ALCANZA LA VELOCIDAD DESEADA.**

### **Causa probable**

1. Bajo voltaje debido a un tamaño de cable incorrecto del alargador de corriente.
2. Bajo voltaje.

### **Solución**

1. Reemplace con un cable del tamaño adecuado.
2. Contacte a un electricista.

## **PROBLEMA: LAS HOJAS SE QUIEBRAN.**

### **Causa probable**

1. La hoja no está correctamente tensionada.
2. Las guías de la hoja están incorrectamente ajustadas.
3. El rodamiento de soporte de la hoja está incorrectamente ajustado.
4. El ajuste de desplazamiento de la rueda de la hoja es incorrecto.
5. Soldadura deficiente en la hoja.
6. Llantas gastadas.
7. Forzamiento de una hoja ancha alrededor de un radio corto.
8. Hoja roma o con firmeza insuficiente.
9. Ajuste demasiado alto de la guía superior de la hoja.

### **Solución**

1. Ajuste la tensión de la hoja.
2. Revise y ajuste las guías de la hoja.
3. Ajuste el rodamiento de soporte de la hoja.
4. Revise y ajuste el desplazamiento de la hoja.
5. Reemplace la hoja.
6. Reemplace las llantas.
7. Cambie a una hoja más angosta.
8. Reemplace la hoja.
9. Coloque la guía superior de la hoja a una distancia de 3.2 mm (1/8 pulg.) de la pieza de trabajo.

## **PROBLEMA: LA HOJA NO SE DESPLAZA.**

### **Causa probable**

1. La hoja está demasiado suelta.
2. La rueda superior no está correctamente ajustada.
3. El rodamiento de soporte de la hoja está mal ajustado.

### **Solución**

1. Ajuste la tensión.
2. Ajuste la rueda superior.
3. Ajuste el rodamiento de soporte de la hoja.

## **PROBLEMA: EL CORTE NO CORRESPONDE A LOS AJUSTES DE LA ESCALA DE INCLINACIÓN.**

### **Causa probable**

1. El apuntador está mal ajustado.

### **Solución**

1. Ajuste el apuntador.

## **PROBLEMA: LA HOJA NO SE QUEDA EN LA RUEDA.**

### **Causa probable**

1. La hoja no está correctamente tensionada.
2. Las guías de la hoja están incorrectamente ajustadas.
3. El rodamiento de soporte de la hoja está incorrectamente ajustado.
4. La rueda de la hoja no se está desplazando correctamente.
5. Soldadura deficiente en la hoja.
6. Llantas gastadas.

### **Solución**

1. Ajuste la tensión de la hoja.
2. Revise y ajuste las guías de la hoja.
3. Ajuste el rodamiento de soporte de la hoja.
4. Revise y ajuste el desplazamiento de la hoja.
5. Reemplace la hoja.
6. Reemplace las llantas.

## **PROBLEMA: LA SIERRA CINTA HACE CORTES INSATISFACTORIOS.**

### **Causa probable**

1. La hoja no está correctamente tensionada.
2. Las guías de la hoja están incorrectamente ajustadas.
3. El rodamiento de soporte de la hoja está incorrectamente ajustado.
4. La rueda de la hoja no se está desplazando correctamente.
5. Soldadura deficiente en la hoja.
6. Llantas gastadas.
7. Hoja incorrecta para el trabajo a realizar.
8. Hoja roma o con firmeza insuficiente.
9. Ajuste demasiado alto de la guía superior de la hoja.

### **Solución**

1. Ajuste la tensión de la hoja.
2. Revise y ajuste las guías de la hoja.
3. Ajuste el rodamiento de soporte de la hoja.
4. Revise y ajuste el desplazamiento de la hoja.
5. Reemplace la hoja.
6. Reemplace las llantas.
7. Cambie la hoja.
8. Reemplace la hoja.
9. Coloque la guía superior de la hoja a una distancia de 3.2 mm (1/8 pulg.) de la pieza de trabajo.

# ACERCA DE LAS HOJAS PARA SIERRA CINTA

Puede obtener un largo uso de una hoja de sierra cinta si la utiliza adecuadamente. Utilice hojas del espesor, ancho y temple adecuados para los distintos tipos de material y cortes.

Siempre utilice la hoja más ancha posible. Utilice hojas angostas únicamente para cortar curvas pequeñas y abruptas y para trabajo fino y delicado. Esto protegerá las hojas y producirá mejores cortes. Para cortar madera y materiales similares, DELTA® ofrece hojas con anchos de 3.2 mm (1/8 pulg.), 6.4 mm (1/4 pulg.), 9.5 mm (3/8 pulg.), 12.7 mm (1/2 pulg.) y 19.1 mm (3/4 pulg.).

Varios tipos de condiciones pueden ocasionar que la hoja de una sierra cinta se rompa. La ruptura de la hoja es, en algunos casos, inevitable, al ser el resultado natural de las tensiones peculiares a las que se somete a las hojas. Las hojas se romperán a menudo debido a causas evitables, tales como la falta de cuidado hacia la hoja o un ajuste inadecuado de la hoja a la sierra cinta. Las causas más comunes de ruptura de la hoja son:

- Alineaciones y ajustes erróneos de las guías.
- Forzar o torcer una hoja ancha alrededor de una curva de radio corto.
- Alimentar la pieza de trabajo con demasiada rapidez en la hoja.
- Dientes sin filo o sin firmeza suficiente.
- Hoja tensionada incorrectamente.
- Guía superior colocada a una altura excesiva sobre la pieza de trabajo que se va a cortar.
- Uso de una hoja con soldadura con protuberancias o incorrectamente acabada.

- Operación continua de la hoja de la sierra cuando no se está realizando un corte.

## SUGERENCIAS:

- Utilice hojas de 237.5 cm (93-1/2 pulg.) de longitud en esta máquina.
- Utilice siempre una hoja afilada. Manténgala libre de resina y brea. Limpie frecuentemente con un cepillo de fibras rígidas.
- Las hojas angostas se utilizan para cortar círculos o curvas pequeñas, mientras que las hojas más anchas son mejores para los cortes rectos, tales como el rasgado.
- Una hoja nueva, en la mayoría de los casos, se desempeñará mejor y durará más que una hoja reafilada.
- Asegúrese de que las guías de la hoja estén correctamente ajustadas.
- No fuerce ni tuerza la hoja alrededor de una curva o de un radio muy corto.
- Alimente la pieza de trabajo a través de la hoja a una velocidad consistente, permitiendo que la hoja realice el corte, no alimente la pieza de trabajo con demasiada rapidez.
- No aplique tensión excesiva a la hoja. La tensión solo es necesaria para accionar la hoja sin que resbale de las ruedas. Las hojas angostas requieren menos tensión que las hojas anchas.

## ACCESORIOS

**⚠ ADVERTENCIA:** Debido a que los accesorios que no ofrece DELTA® no han sido probados con este producto, el uso de dichos accesorios puede ser peligroso. Para obtener una operación segura, se deben utilizar con este producto únicamente los accesorios recomendados por DELTA®.

## GARANTÍA

### Garantía de producto nuevo limitada a cinco años

DELTA® reparará o sustituirá, a su cargo y opción, cualquier nueva máquina, repuesto o accesorio de la máquina DELTA® que, en condiciones normales de utilización, ha demostrado ser defectuoso en mano de obra o material, siempre que el cliente devuelva el producto prepago a un Centro de servicio de fábrica DELTA® o a una estación de servicio autorizada con el comprobante de compra del producto dentro de un plazo de cinco años y le proporcione a DELTA® la oportunidad razonable para verificar el presunto defecto mediante inspección. El período de garantía para todo producto DELTA® reacondicionado es de 180 días. DELTA® no será responsable por ningún defecto encontrado que sea resultado del desgaste normal, mal uso, abuso o reparación o alteración realizada o autorizada específicamente por ninguna parte que no sea un Centro de servicio DELTA® autorizado o representante. Bajo ninguna circunstancia DELTA® será responsable por daños fortuitos o consecuentes derivados de productos defectuosos. Algunos estados no permiten la exclusión o limitación de daños incidentales o consecuentes, por lo que la limitación o exclusión anterior podría no aplicarse a usted. Esta es la única garantía de DELTA® y establece el recurso exclusivo del cliente, con respecto a productos defectuosos; todas las demás garantías, expresas o implícitas, ya sea de comerciabilidad, adecuación para un propósito o de otro tipo, están expresamente excluidas por DELTA®. Para obtener más detalles sobre la cobertura de la garantía e información de la garantía de reparación, visite [www.DeltaMachinery.com](http://www.DeltaMachinery.com) o llame al 1-800-223-7278. Esta garantía le otorga derechos legales específicos y usted puede tener otros derechos que varían en ciertos estados o provincias.

**AMÉRICA LATINA:** Esta garantía no se aplica a los productos vendidos en América Latina. Para los productos vendidos en América Latina, vea la información de garantía específica del país contenida en el embalaje, llame a la empresa local o consulte el sitio web para obtener información de garantía.

## ASISTENCIA SOBRE GARANTÍA, SERVICIO O PIEZAS

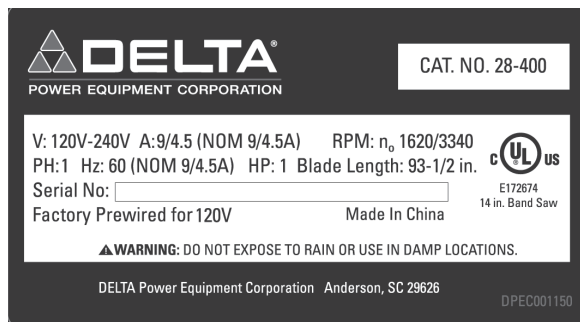
Todas las máquinas y accesorios DELTA<sup>®</sup> están fabricados en cumplimiento de altos estándares de calidad y reciben el servicio técnico de una red de centros de servicio de fábrica de DELTA<sup>®</sup> y centros de servicio autorizados de DELTA<sup>®</sup>. Para obtener información adicional sobre su producto de calidad DELTA<sup>®</sup>, obtener asistencia sobre garantía, servicio o piezas, o para localizar el centro de servicio más cercano, llame al 1-800-223-7278.

### PIEZAS DE REPUESTO

Utilice solamente piezas de repuesto idénticas. Para obtener una lista de las piezas o para hacer un pedido de piezas, visite nuestro sitio web en [www.DeltaMachinery.com](http://www.DeltaMachinery.com). También puede hacer un pedido de piezas desde su sucursal de la fábrica más cercana, el centro autorizado de servicio de garantía, o puede llamar al gerente de servicio técnico al número 1-800-223-7278 para recibir asistencia personalizada por parte de uno de nuestros expertos representantes.

### REEMPLAZO GRATUITO DE LA ETIQUETA DE ADVERTENCIA

Si le faltan las etiquetas de advertencia o si se encuentran ilegibles, llame al 1-800-223-7278 para que se las reemplacen de manera gratuita.



#### ▲ WARNING FOR YOUR OWN SAFETY

1. READ AND UNDERSTAND INSTRUCTION MANUAL BEFORE OPERATING BAND SAW.
2. Always wear eye protection.
3. Do not wear gloves, neckties, jewelry or loose clothing.
4. Maintain proper adjustment of blade tracking and tension, blade guides and thrust bearings.
5. Adjust upper blade guard/guide to clear workpiece by no more than 1/4 in.
6. Always clamp stock firmly in place before cutting and use auxiliary support for long material.
7. Guards should be in place and used at all times.
8. Keep hands out of path of saw blade.
9. Do not remove jammed or cut-off pieces until blade has stopped.
10. Disconnect machine from power source before making repairs or adjustments.
11. Do not expose to rain or use in damp locations.

#### ▲ AVERTISSEMENT POUR VOTRE PROPRE SÉCURITÉ

1. LISEZ ET COMPRENEZ LE MANUEL D'INSTRUCTION AVANT D'UTILISER LA SCIE À RUBAN.
2. Portez toujours une protection oculaire.
3. Ne portez pas de gants, cravates, bijoux ou vêtements amples.
4. Veillez au bon réglage du suivi de la lame et de la tension, des guides de lame et des paliers de butée.
5. Réglez le guide/protège-lame supérieur pour libérer la pièce de 1/4 po au maximum.
6. Serrez toujours les pièces fermement en place avant de couper et utilisez un support auxiliaire pour les matériaux longs.
7. Les protections doivent être en place et utilisées en permanence.
8. Gardez les mains à l'écart du chemin de la lame de la scie.
9. Ne retirez pas les pièces coincées ou coupées avant l'arrêt de la lame.
10. Déconnectez l'appareil de la source d'alimentation avant d'effectuer des réparations ou des réglages.
11. N'exposez pas à la pluie et n'utilisez pas dans des endroits humides.

#### ▲ ADVERTENCIA POR SU PROPIA SEGURIDAD

1. ANTES DE OPERAR LA SIERRA DE BANDA, LEA Y ENTIENDA EL MANUAL DE INSTRUCCIONES.
2. Utilice protección ocular siempre.
3. No utilice guantes, corbatas, artículos de joyería o ropa holgada.
4. Mantenga el ajuste apropiado de la tensión y el alineamiento de hoja de corte, las guías de la hoja y de los cojinetes de apoyo.
5. Ajuste el protector/guía de hoja superior de manera que exista solo una pequeña libranza por encima de material.
6. Siempre prensé la pieza de trabajo firmemente en su lugar antes de hacer cualquier corte y utilice soporte auxiliar para materiales largos.
7. La guarda debe de estar en su lugar y ser usada en todo momento.
8. Aparte las manos de la trayectoria de la hoja de la sierra.
9. No retire piezas cortadas o atascadas hasta que la hoja se haya detenido.
10. Desconecte la máquina de la fuente de energía antes de realizar ajustes o reparaciones.
11. No exponga a la intemperie ni tampoco haga uso de la herramienta en lugares húmedos.

DPEC001152

### SERVICIO TÉCNICO Y REPARACIONES

Todas las herramientas de calidad en algún momento necesitarán servicio técnico o reemplazo de las piezas. Para obtener información sobre DELTA<sup>®</sup> Power Equipment Corporation, sus sucursales de fábrica o para localizar un centro autorizado de servicio de garantía, visite nuestro sitio web en [www.DeltaMachinery.com](http://www.DeltaMachinery.com) o llame a nuestro centro de atención al cliente al 1-800-223-7278. Todas las reparaciones realizadas en nuestros centros de servicio tienen garantía completa contra materiales o mano de obra defectuosos. La garantía no cubre las reparaciones realizadas por terceros. También puede encontrar respuestas a las preguntas más frecuentes, las 24 horas del día, llamando al número indicado anteriormente.

También nos puede escribir para obtener información a: DELTA<sup>®</sup> Power Equipment Corporation, 99 Roush Street, Anderson, SC 29625 - Attention: Technical Service Manager. Asegúrese de incluir toda la información que figura en la placa de identificación de su herramienta (número de modelo, tipo, número de serie, código de fecha, etc.)



**DELTA<sup>®</sup>**  
**POWER EQUIPMENT CORPORATION**

99 Roush Street  
Anderson, SC 29625  
(800) 223-7278  
[www.DeltaMachinery.com](http://www.DeltaMachinery.com)

Copyright © 2013 DELTA<sup>®</sup> Power Equipment Corporation DPEC002265 - 12-10-13





## Free Manuals Download Website

<http://myh66.com>

<http://usermanuals.us>

<http://www.somanuals.com>

<http://www.4manuals.cc>

<http://www.manual-lib.com>

<http://www.404manual.com>

<http://www.luxmanual.com>

<http://aubethermostatmanual.com>

Golf course search by state

<http://golfingnear.com>

Email search by domain

<http://emailbydomain.com>

Auto manuals search

<http://auto.somanuals.com>

TV manuals search

<http://tv.somanuals.com>