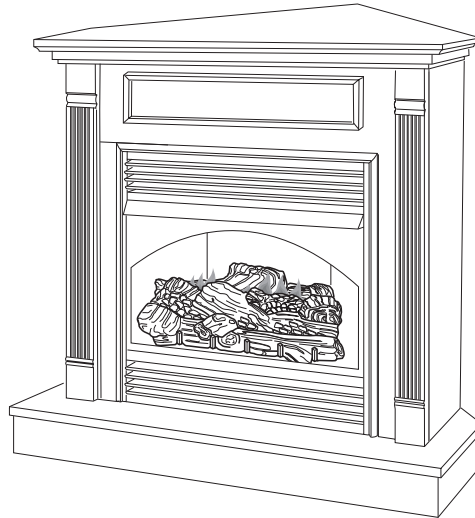




# C36TU and C36TO Corner Mantel and Base ASSEMBLY AND INSTALLATION INSTRUCTIONS



**IMPORTANT:** Read entire instruction sheet before assembling or installing mantel kit.

These mantels are only approved for use with any DESA Heating, LLC 36" electric and gas fireplace systems. Do not use mantel with any other product.

This mantel kit contains the following:

• Mantel pieces - unassembled and numbered as follows:

- #1 Base
- #2 Right Side Assembly
- #3 Left Side Assembly
- #4 Header
- #5 Top
- #6 Top Triangle
- #7 Top Left Support
- #8 Top Right Support
- #9 Top Center Support
- #10 Base Support
- #11 Vertical Support
- Right Top Trim Strip
- Left Top Trim Strip

• Hardware Package

- 36 - 1 1/4" Wood Screws 114325-01
- 8 - 1" Finishing Nails 114295-04
- 4 - 2" Wood Screws 122447-01

\* Extra hardware may be included

Tools required:

- Power Screwdriver with #2 Phillips Bit
- Hammer
- Nail Set

If any wood pieces are missing or damaged, contact the dealer where you purchased this mantel for replacement. If hardware is missing or damaged, contact DESA Heating, LLC at 1-866-672-6040 for referral information. You can also visit DESA Heating, LLC's web site at [www.desatech.com](http://www.desatech.com).

**⚠ WARNING:** Follow guidelines of paint or finish manufacturer. Use care when finishing or painting an unfinished mantel (C36TU only). Do not finish or paint mantel pieces near running heater or open flame. These vapors are highly flammable.

**IMPORTANT:** If you are staining an unfinished mantel (C36TU only), remove any sawdust, dirt or oils. This will prevent blemishes from appearing under the stain. Stain mantel before assembling according to manufacturer's instructions. Apply sanding sealer.

**IMPORTANT:** If you are painting an unfinished mantel (C36TU only), assemble mantel before painting. Follow directions listed on paint for wood products. Apply base coat and top coat following directions listed on product.

*Note:* Gather all mantel pieces together before assembling mantel.

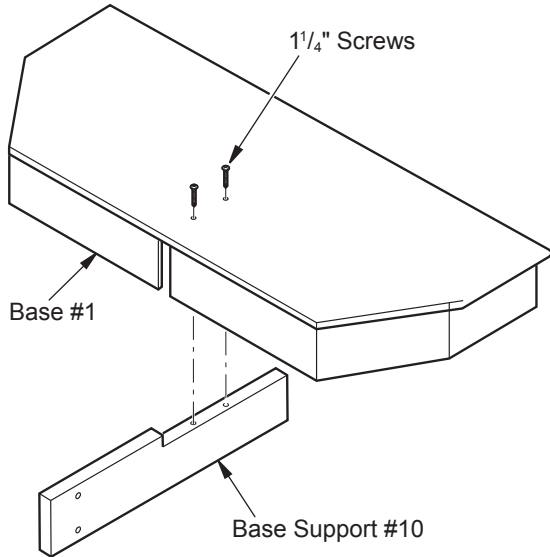
**⚠ WARNING:** Only use 1 1/4" screws to assemble mantel. Damage to mantel will result if other screws are used for this purpose.

[www.desatech.com](http://www.desatech.com)

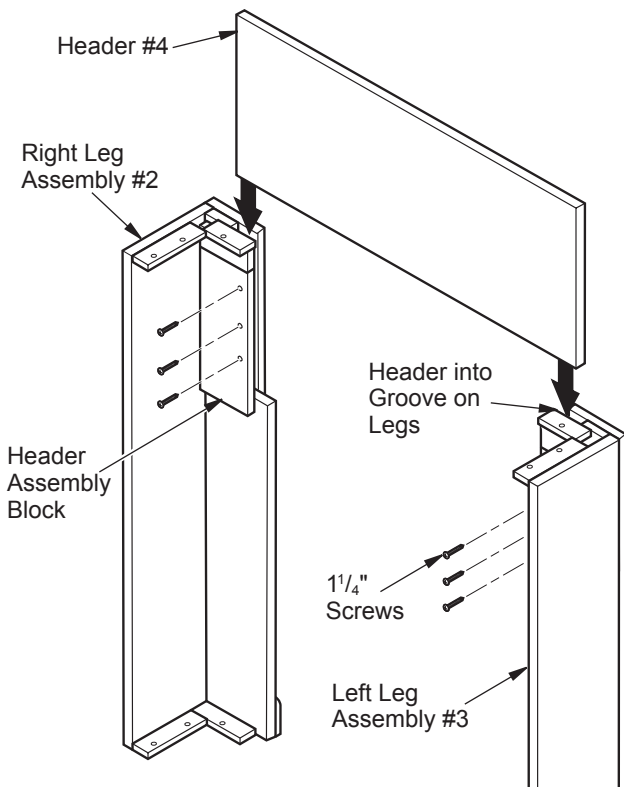
## ASSEMBLING MANTEL

**IMPORTANT:** More than one person is required to lift assembled mantel. Lift mantel by leg assemblies. Lifting by header or mantel top could damage mantel.

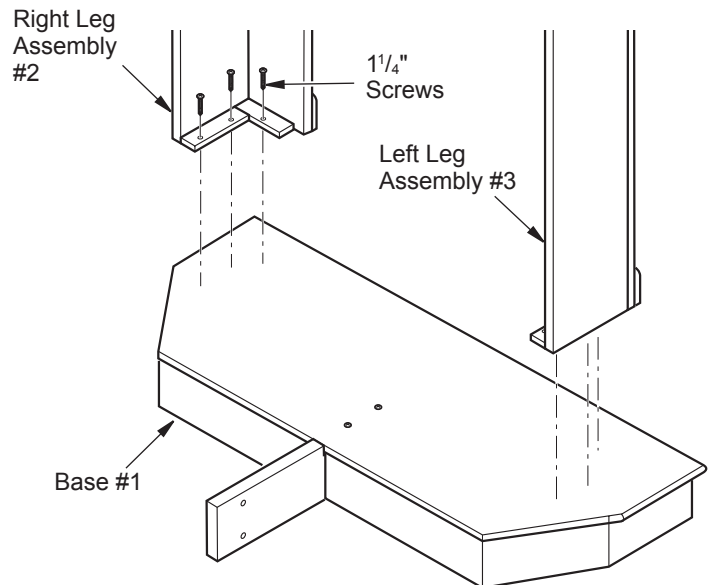
Use the following illustrations to assemble mantel. Use only screws provided.



**Figure 1 - Installing Base Support**

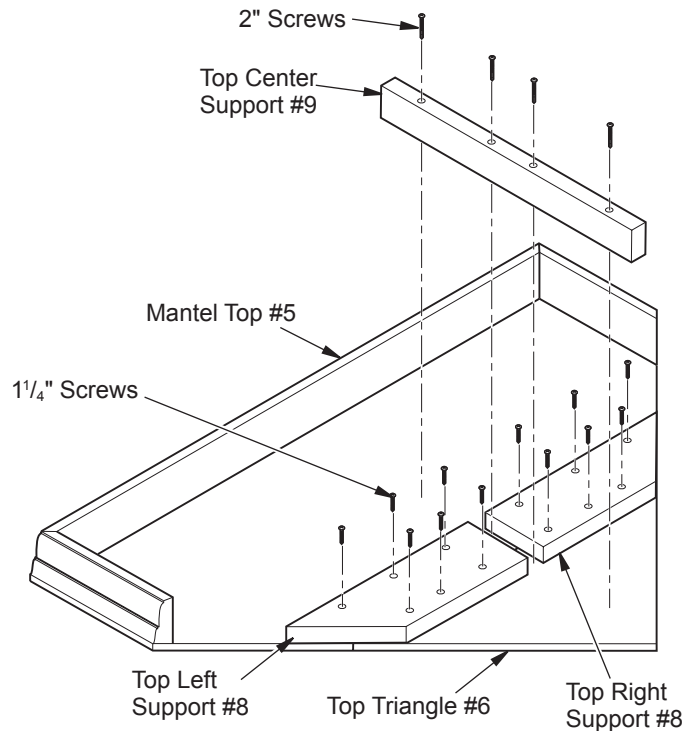


**Figure 2 - Installing Header**



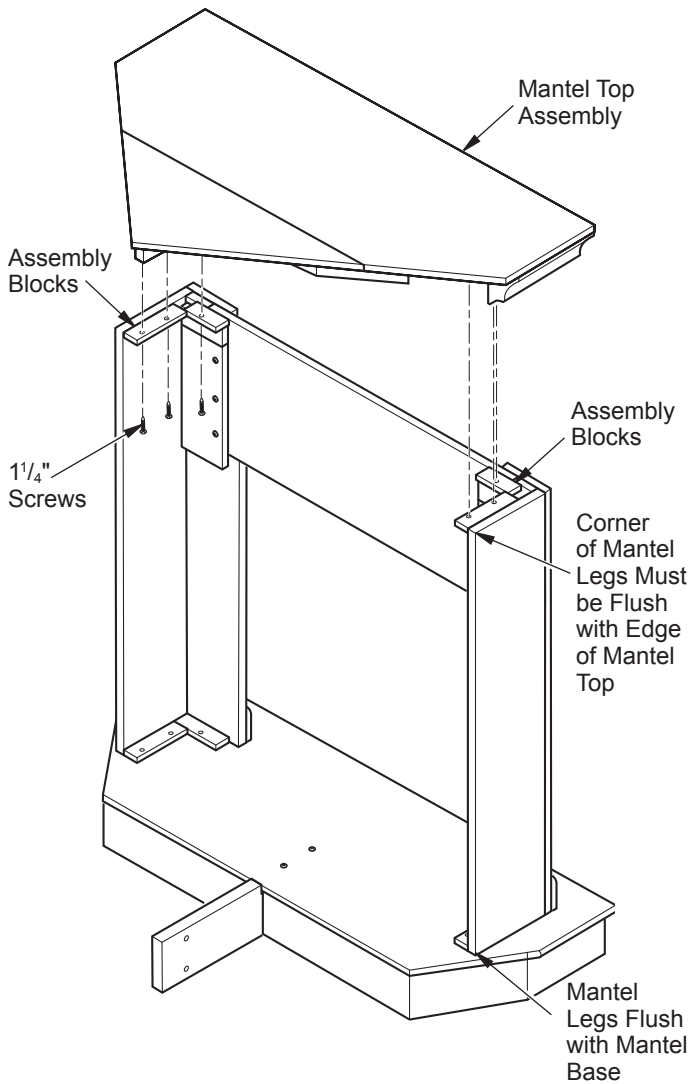
**Figure 3 - Installing Mantel Base**

**IMPORTANT:** Align mantel left to right on base before installing. Corner of mantel legs must be flush with back of mantel base before installation (see Figure 4). Use a tape measure to insure accuracy.



**Figure 4 - Mantel Top Assembly**

**IMPORTANT:** Use 2" screws only on top center support. Using 2" screws in any other location will damage mantel.



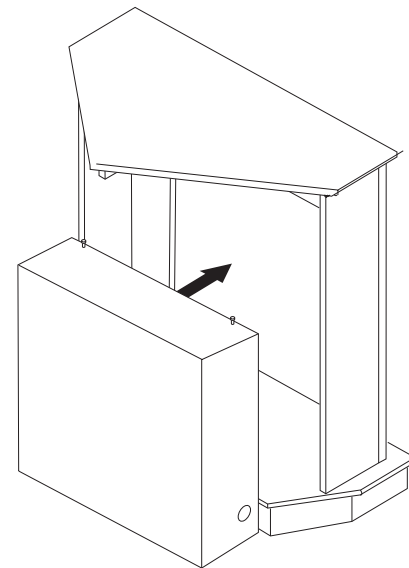
**Figure 5 - Installing Mantel Top**

**IMPORTANT:** Align mantel top left to right before installing. Back corner of mantel leg must be flush with edge of mantel top before installation.

**IMPORTANT:** If installing a gas fireplace, vertical support will be installed to mantel assembly after gas fireplace has been installed. If installing electric fireplace, first install vertical support and install fireplace from front of mantel. Do not put any weight on mantel top until vertical support has been installed.

## Fireplace Installation

1. Fireplace should be fully assembled. See [Assembling Fireplace](#) in fireplace owner's manual.
2. Mantel must be installed flush with two walls. Remove baseboard along walls where mantel is to be installed. Baseboard will prevent proper installation of mantel and base.
3. Place mantel base close to installation location. See fireplace owner's manual for installation clearances. Leave enough room to insert fireplace from back of mantel.
4. If installing gas fireplace, install gas line. See [Connecting to Gas Supply](#) in fireplace owner's manual. Remember to leave access to gas shutoff valve somewhere on mantel base or where it is accessible to user. Check for leaks. See [Checking Gas Connections](#) in fireplace owner's manual.
5. Position fireplace inside mantel through back opening (see Figure 6). Carefully position gas lines if applicable. **IMPORTANT:** Use caution when positioning fireplace on base. Base may scratch easily. Make sure fireplace is in proper position within mantel opening before continuing with installation.
6. **Gas fireplace with louver door:** Lower bottom louver door. Use two screws provided in fireplace hardware kit and attach fireplace to wooden base. Close louver door. **Gas fireplace with fixed louver:** Before installing logs or burner assembly (see owner's manual) remove screws securing floor to assembly. Lift floor for access to bottom of fireplace. Use two screws provided in fireplace hardware kit and attach fireplace base to wooden base. Reinstall floor with screws removed previously.



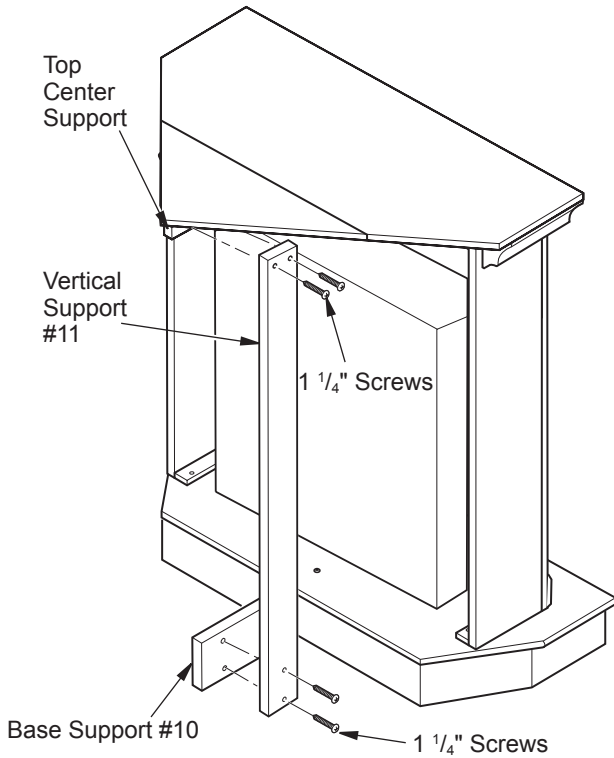
**Figure 6 - Installing Gas Fireplace**

## Electric Fireplace Installation

This mantel can be used with DESA Heating, LLC electric fireplaces. Electric fireplaces install from the front of mantel. To install electric fireplace see fireplace instruction manual.

## Vertical Support Installation

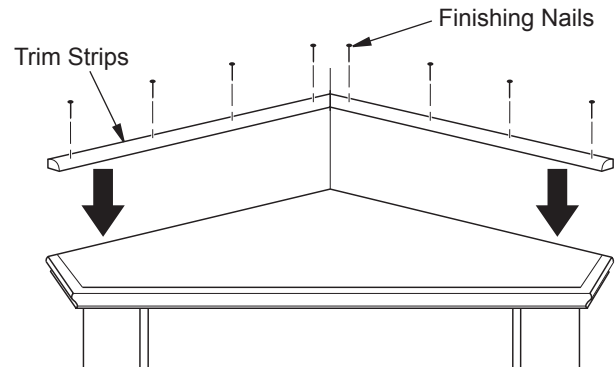
Install vertical support (see Figure 7).



**Figure 7 - Installing Vertical Support**

## MANTEL INSTALLATION

1. Carefully push mantel and base into position in corner and flush against both walls. Check operation of fireplace before proceeding.
2. Place right trim strip on right side of top and left trim on left side of top. Align both pieces so any gaps between mantel and wall are covered as well as possible and front of trim strips are flush with side of top. With one person holding trim strips in place, nail each strip to mantel using finishing nails included in hardware kit and nail set.



**Figure 8 - Installing Mantel Trim**

**DESA**

DESA Heating, LLC  
2701 Industrial Drive  
Bowling Green, KY 42101  
www.desatech.com  
1-866-672-6040



123680 01  
NOT A UPC

123680-01  
Rev. A  
04/08

## Free Manuals Download Website

<http://myh66.com>

<http://usermanuals.us>

<http://www.somanuals.com>

<http://www.4manuals.cc>

<http://www.manual-lib.com>

<http://www.404manual.com>

<http://www.luxmanual.com>

<http://aubethermostatmanual.com>

Golf course search by state

<http://golfingnear.com>

Email search by domain

<http://emailbydomain.com>

Auto manuals search

<http://auto.somanuals.com>

TV manuals search

<http://tv.somanuals.com>