

If you have questions or comments, contact us.
 Pour toute question ou tout commentaire, nous contacter.
 Si tiene dudas o comentarios, contáctenos.

1-800-4-DEWALT • www.dewalt.com

INSTRUCTION MANUAL
 GUIDE D'UTILISATION
 MANUAL DE INSTRUCCIONES

INSTRUCTIVO DE OPERACIÓN, CENTROS DE SERVICIO Y PÓLIZA
 DE GARANTÍA. ADVERTENCIA: LEÁSE ESTE INSTRUCTIVO ANTES
 DE USAR EL PRODUCTO.



D26950, D26960

Heavy-Duty Heat Gun

Pistolets thermiques industriels

Pistolas de aire caliente para trabajos pesados

DEWALT Industrial Tool Co., 701 Joppa Road, Baltimore, MD 21286

(AUG09) Part No. N042236 D26950, D26960 Copyright © 2009 DEWALT

The following are trademarks for one or more DEWALT power tools: the yellow and black color scheme; the "D" shaped air intake grill; the array of pyramids on the handgrip; the kit box configuration; and the array of lozenge-shaped humps on the surface of the tool.

Definitions: Safety Guidelines

The definitions below describe the level of severity for each signal word. Please read the manual and pay attention to these symbols.

⚠ DANGER: Indicates an imminently hazardous situation which, if not avoided, **will** result in **death or serious injury**.

⚠ WARNING: Indicates a potentially hazardous situation which, if not avoided, **could** result in **death or serious injury**.

⚠ CAUTION: Indicates a potentially hazardous situation which, if not avoided, **may** result in **minor or moderate injury**.

NOTICE: Indicates a practice **not related to personal injury** which, if not avoided, **may** result in **property damage**.

IF YOU HAVE ANY QUESTIONS OR COMMENTS ABOUT THIS OR ANY DEWALT TOOL, CALL US TOLL FREE AT: 1-800-4-DEWALT (1-800-433-9258)

⚠ DANGER: To reduce the risk of injury, read the instruction manual. Failure to follow all instructions listed below may result in electric shock, fire and/or serious injury.

IMPORTANT SAFETY INSTRUCTIONS READ THESE INSTRUCTIONS

Safety Instructions for Heat Guns

- To reduce the risk of explosion, **DO NOT** use in paint spray booths or within 10' (3.0 m) of paint spraying operations.
- This appliance has a polarized plug (one blade is wider than the other). To reduce the risk of electric shock, this plug is intended to fit in a polarized outlet only one way. If the plug does not fit fully in the outlet, reverse the plug. If it still does not fit, contact a qualified electrician. Do not modify the plug in any way.
- DO NOT use this tool to remove paint containing lead.** The peelings, residue and vapors of paint may contain lead which is poisonous
- Hidden areas such as behind walls, ceilings, floors, soffit boards and other panels may contain flammable materials that could be ignited by the heat gun when working in these locations. The ignition of these materials may not be readily apparent and could result in property damage and injury to persons. When working in these locations, keep the heat gun moving in a back-and-forth motion. Lingering or pausing in one spot could ignite the panel or the material behind it.
- NOTE:** These heat guns are capable of producing temperatures in excess of 1000° F
- DO NOT** use this tool as a hair dryer.
- DO NOT** use this tool to heat food.
- DO NOT** lay the heat gun on flammable surfaces when operating the gun or immediately after shutting it off. Allow the tool to cool before storing. Always set the gun on a flat level surface so that the nozzle tip is pointed upward.
- DO NOT** use in the presence of explosive materials.
- Keep moveable items secured and steady while scraping.
- NEVER** obstruct the air intake or nozzle outlet. This may cause excessive heat build up resulting in damage to the tool.
- Be sure to direct the hot air blast in a safe direction; away from other people or flammable objects.
- DO NOT** remove the heat barrel cover during use.
- KEEP FINGERS AWAY FROM METAL NOZZLE;** it becomes very hot during use and remains hot for 30 minutes after use. Wear gloves to protect hands.
- ALWAYS** keep nozzle away from cord.
- DO NOT** touch the nozzle to any surface while running or shortly after running.
- DO NOT** place anything inside the nozzle as it could cause an electric shock. Do not look down the nozzle while the unit is turned on due to the high temperatures being produced.
- Splinters and small particles of stripped paint can be ignited and blown through holes and cracks in the surface being stripped.
- DO NOT** apply heat to the same area for a long period of time.

- DO NOT** burn the paint. Use the scraper provided and keep the nozzle at least 1" (25 mm) away from the painted surface. When working in a vertical direction, work downwards to prevent paint from falling into the tool and burning.
- DO NOT** allow paint to adhere to the nozzle or scraper. It could ignite.
- ALWAYS** use good quality scrapers and stripping knives.
- DO NOT** use the heat gun in combination with chemical strippers.
- DO NOT** use accessory nozzles as scrapers.
- DO NOT** direct heatgun airflow directly on glass. The glass may crack and could result in property damage or personal injury.
- Maintain labels and nameplates. These carry important information.
- Place the heat gun on a stable, level surface when not hand held. Place the cord in a position that won't cause the heat gun to tip over.
- Be constantly aware that this tool can ignite flammable materials, soften or melt others. Regardless of the task you are performing, shield or keep the heat gun away from these materials.
- You may occasionally notice some slight smoking of the tool after it is turned off. This is the result of heating the residual oil that was deposited on the heating element during the manufacturing process.
- Use eye protection and other safety equipment.**
- Do not abuse the cord. Never use the cord for carrying, pulling or unplugging the tool. Keep cord away from heat, oil, sharp edges or moving parts.** Damaged or entangled cords increase the risk of electric shock.
- When operating a tool outdoors, use an extension cord suitable for outdoor use.** Use of a cord suitable for outdoor use reduces the risk of electric shock.
- Do not expose tools to rain or wet conditions.** Water entering a tool will increase the risk of electric shock.
- Do not overreach. Keep proper footing and balance at all times.** This enables better control of the tool in unexpected situations.
- Store idle tools out of the reach of children and do not allow persons unfamiliar with the tool or these instructions to operate the tool.** Tools are dangerous in the hands of untrained users.
- Have your tool serviced by a qualified repair person using only identical replacement parts.** This will ensure that the safety of the tool is maintained.
- Air vents often cover moving parts and should be avoided.** Loose clothes, jewelry or long hair can be caught in moving parts.
- An extension cord must have adequate wire size (AWG or American Wire Gauge) for safety.** The smaller the gauge number of the wire, the greater the capacity of the cable, that is 16 gauge has more capacity than 18 gauge. An undersized cord will cause a drop in line voltage resulting in loss of power and overheating. When using more than one extension to make up the total length, be sure each individual extension contains at least the minimum wire size. The following table shows the correct size to use depending on cord length and nameplate ampere rating. If in doubt, use the next heavier gauge. The smaller the gauge number, the heavier the cord.

Minimum Gauge for Cord Sets						
Ampere Rating		Volts	Total Length of Cord in Feet (meters)			
		120V	25 (7.6)	50 (15.2)	100 (30.5)	150 (45.7)
		240V	50 (15.2)	100 (30.5)	200 (61.0)	300 (91.4)
		AWG				
More Than	Not More Than					
0	6	18	16	16	14	
6	10	18	16	14	12	
10	12	16	16	14	12	
12	16	14	12	Not Recommended		

⚠ WARNING: Always use eye protection. All users and bystanders must wear eye protection that conforms to ANSI Z87.1.

⚠ WARNING: Always wear proper personal hearing protection that conforms to ANSI S12.6 (S3.19) during use. Under some conditions and duration of use, noise from this product may contribute to hearing loss.

⚠ WARNING: Some dust created by power sanding, sawing, grinding, drilling, and other construction activities contains chemicals known to cause cancer, birth defects or other reproductive harm. Some examples of these chemicals are:

- lead from lead-based paints,
- crystalline silica from bricks and cement and other masonry products, and
- arsenic and chromium from chemically-treated lumber (CCA).

Your risk from these exposures varies, depending on how often you do this type of work. To reduce your exposure to these chemicals: work in a well ventilated area, and work with approved safety equipment, such as those dust masks that are specially designed to filter out microscopic particles.

⚠ WARNING: ALWAYS USE SAFETY GLASSES. Everyday eyeglasses are NOT safety glasses. Also use face or dust mask if cutting operation is dusty. All users and bystanders MUST ALWAYS wear certified safety equipment:

- ANSI Z87.1 eye protection (CAN/CSA Z94.3),
- ANSI S12.6 (S3.19) hearing protection,
- NIOSH/OSHA/MSHA respiratory protection.

The label on your tool may include the following symbols. The symbols and their definitions are as follows:

V.....volts	A..... amperes
Hz.....hertz	W..... watts
min.....minutes	~ alternating current
==direct current	nO..... no load speed
ⓁClass I Construction (grounded)	Ⓧ earthing terminal
ⓁClass II Construction (double insulated)	⚠ safety alert symbol
sfpm..... surface feet per minute (sfpm)	BPM.....beats per minute
	.../min revolutions or reciprocation per minute

PERSONS REMOVING PAINT SHOULD ALWAYS FOLLOW THESE GUIDELINES:

⚠ WARNING: Extreme care should be taken when stripping paint. The peelings, residue and vapors of paint may contain lead, which is poisonous. Any pre-1977 paint may contain lead and paint applied to homes prior to 1950 is likely to contain lead. Once deposited on surfaces, hand to mouth contact can result in the ingestion of lead. Exposure to even low levels of lead can cause irreversible brain and nervous system damage; young and unborn children are particularly vulnerable.

Before beginning any paint removal process you should determine whether the paint you are removing contains lead. This can be done by your local health department or by a professional who uses a paint analyzer to check the lead content of the paint to be removed. **LEAD-BASED PAINT SHOULD ONLY BE REMOVED BY A PROFESSIONAL AND SHOULD NOT BE REMOVED USING A HEAT GUN.** Persons removing paint should follow these guidelines:

- Move the workpiece outdoors. If this is not possible, keep the work area well ventilated. Open the windows and put an exhaust fan in one of them. Be sure the fan is moving the air from inside to outside.
- Remove or cover any carpets, rugs, furniture, clothing, cooking utensils and air ducts.
- Place drop cloths in the work area to catch any paint chips or peelings. Wear protective clothing such as extra work shirts, overalls and hats.
- Work in one room at a time. Furnishings should be removed or placed in the center of the room and covered. Work areas should be sealed off from the rest of the dwelling by sealing doorways with drop cloths.
- Children, pregnant or potentially pregnant women and nursing mothers should not be present in the work area until the work is done and all clean up is complete.
- Wear a dust respirator mask or a dual filter (dust and fume) respirator mask which has been approved by the Occupational Safety and Health Administration (OSHA), the National Institute of Safety and Health (NIOSH), or the United States Bureau of Mines. These masks and replaceable filters are readily available at major hardware stores. Be sure the mask fits. Beards and facial hair may keep masks from sealing properly. Change filters often. **DISPOSABLE PAPER MASKS ARE NOT ADEQUATE.**

- Use caution when operating the heat gun. Keep the heat gun moving as excessive heat will generate fumes which can be inhaled by the operator.
- Keep food and drink out of the work area. Wash hands, arms and face and rinse mouth before eating or drinking. Do not smoke or chew gum or tobacco in the work area.
- Clean up all removed paint and dust by wet mopping the floors. Use a wet cloth to clean all walls, sills and any other surface where paint or dust is clinging. **DO NOT SWEEP, DRY DUST OR VACUUM.** Use a high phosphate detergent or trisodium phosphate (TSP) to wash and mop areas.
- At the end of each work session put the paint chips and debris in a double plastic bag, close it with tape or twist ties and dispose of properly.
- Remove protective clothing and work shoes in the work area to avoid carrying dust into the rest of the dwelling. Wash work clothes separately. Wipe shoes off with a wet rag that is then washed with the work clothes. Wash hair and body thoroughly with soap and water.

IMPORTANT NOTICE

In order for this tool to be an effective paint stripper, it must produce extremely high temperatures. As a consequence, the stripper is capable of igniting paper, wood, paint and varnish residue and similar materials.

As you become more familiar with the tool and develop the proper technique, the danger of accidental ignition will be greatly reduced. In establishing the proper technique, the best thing to do is **PRACTICE!** Work on simple stripping projects, preferably outdoors, until you get a "feel" for how to use your stripper safely and effectively.

AS YOU PRACTICE, OBSERVE THE FOLLOWING PROCEDURES FOR SAFETY

- Always be sure the tool is turned off and disconnected from power supply when unattended.
- Clean the scraper blade often during use. Built up residue on the blade is highly flammable.
- Experiment to find the optimum distance from the tool's nozzle to the surface being stripped. This distance [1"-2" (25.4 mm-50.8 mm)] will vary depending on the material being removed.
- Keep the heat gun moving ahead of the scraper blade at all times.
- As you work, clean up loose pieces of paint as they accumulate around the work area.
- When working indoors, keep away from curtains, papers, upholstery and similar flammable materials.
- Above all, remember that this is a serious tool that is capable of producing excellent results when used properly. Practice on simple projects until you feel comfortable with your stripper. Only then will you have mastered the proper technique.

SAVE THESE INSTRUCTIONS FOR FUTURE USE

Description (Fig. 1)

⚠ WARNING: Never modify the tool or any part of it. Damage or personal injury could result.

- A. On/off switch
- B. Air vents
- C. Kick-off stand
- D. Air temperature adjustment knob (D26950)
LCD air temperature indicator and adjuster (D26960)
- E. Nozzle
- F. Tool hanging ring
- G. Heat barrel cover

INTENDED USE

Your DEWALT heat gun has been designed for stripping paint, soldering pipes, shrinking PVC, welding and bending plastics as well as general drying and thawing purposes.

⚠ WARNING: DO NOT use under wet conditions or in presence of flammable liquids or gases. The heat gun is a professional power tool. **DO NOT** let children come into contact with the tool. Supervision is required when inexperienced operators use this tool.

ASSEMBLY AND ADJUSTMENTS

⚠ WARNING: To reduce the risk of injury, turn off tool, disconnect from power source and allow to cool before installing and removing accessories, before making any adjustments or removing/installing attachments or accessories.

Air Temperature (Fig. 1)

D26950

The air temperature can be adjusted to suit a wide range of applications. Turn the air temperature adjustment knob (D) clockwise or counterclockwise for higher or lower heat.

D26960

Press and release the LCD air temperature indicator and adjuster (D) to set the desired temperature in 50°F (10°C) increments. To continuously increase or decrease the temperature press and hold the LCD air temperature indicator and adjuster (D). Release the indicator when desired temperature or minimum/maximum temperature is reached.

The display shows the actual rising/falling temperature until the desired temperature is reached.

SET AND FORGET TEMPERATURE CONTROL SYSTEM

D26960

The desired temperature is stored in the memory of the tool. Each time the heat gun is turned on, the heat gun heats to the last temperature setting, with respect to air flow. If unsure about the setting, always start with a low temperature setting and gradually increase the temperature until the desired setting is reached.



Applications

The table below suggests settings for different applications.

Setting	Applications
Low	<ul style="list-style-type: none"> Drying paint and varnish Removing stickers Waxing and dewaxing Drying wet timber prior to filling Shrinking PVC wrapping and insulation tubes Thawing frozen pipes
High	<ul style="list-style-type: none"> Welding plastics Bending plastic pipes and sheets Loosening rusted or tightly fastened nuts and bolts Removing paint and lacquer Soldering plumbing joints Removing linoleum or vinyl floor tiles

To Attach the Correct Accessory

This tool is supplied with a set of accessories for different applications.

Icon	Description	Purpose
	Cone nozzle	Welding, soldering, shrink sleeving (heat over concentrated small area)
	2" (50 mm) Fish tail surface nozzle	Drying, removing paint, removing vinyl or linoleum, thawing (heat spread over wide area)

- Make sure the on/off switch (A) is in position O and the tool is disconnected from the power source. Ensure the nozzle has cooled down.
- Place the desired accessory onto the nozzle.

OPERATION

⚠ WARNING: Make sure the nozzle ALWAYS points away from you and any bystanders.

⚠ WARNING: DO NOT drop anything into the nozzle.

⚠ WARNING: Use only one hand to hold the tool as shown in Figure 2. Do not place your other hand over the air vents (Fig. 3).

PRIOR TO OPERATION

- Attach the correct accessory recommended for the application.
- Turn the air temperature adjustment knob (D) to desired air temperature.

FIG. 1

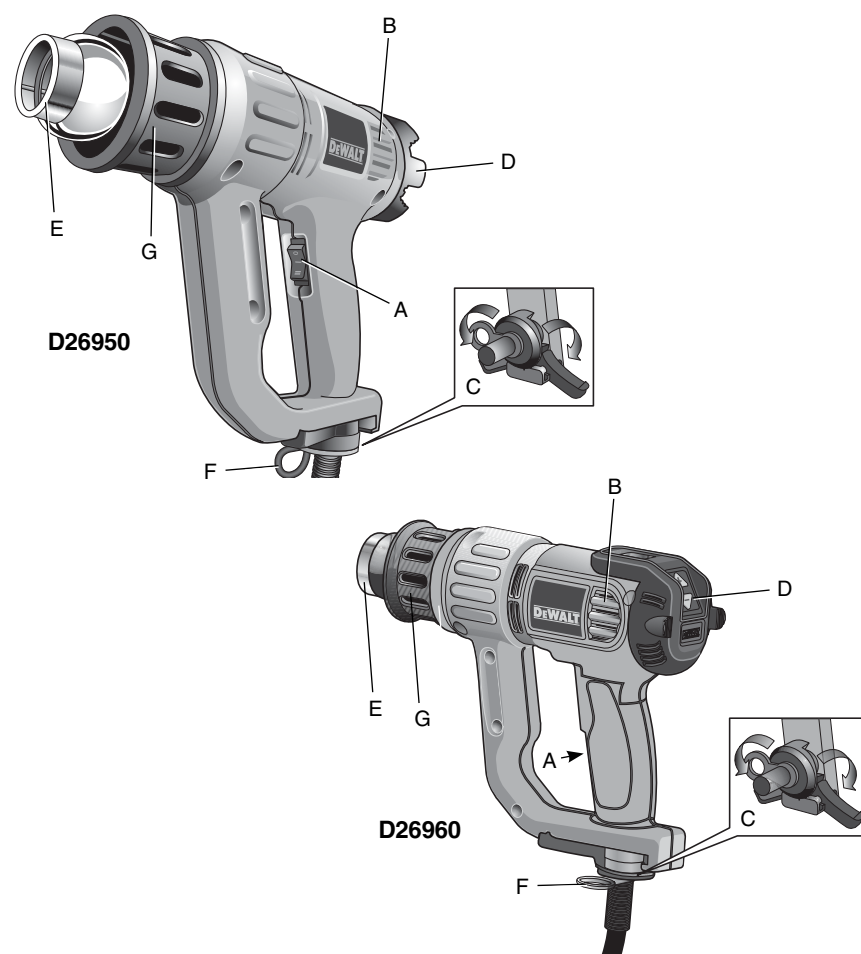


FIG. 2

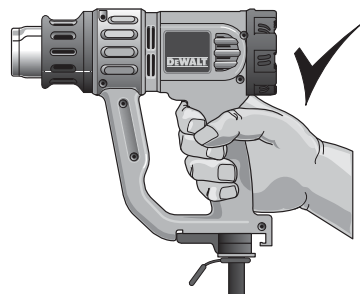


FIG. 4

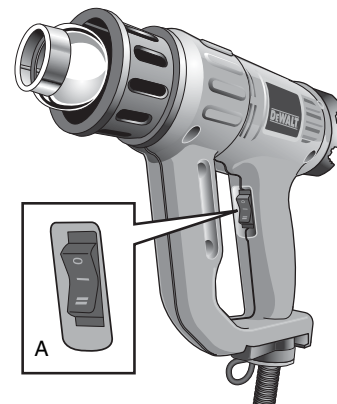
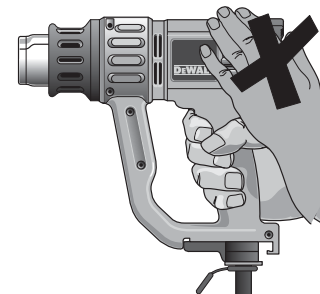


FIG. 3



Switching On and Off (Fig. 4)

- Push the on/off switch (A) to the desired air flow settings:
 - A low air flow to heat up the workpiece slowly.
 - I: 8.5 CFM [120-750°F (50°-400°C)]
 - 8.8 CFM [150-750°F (65°-400°C)] (D26960)
 - A high air flow to heat up the workpiece quickly.
 - II: 16 CFM [120-1100°F (50°-600°C)]
 - 17.7 CFM [(150-1100°F) (65°-600°C)] (D26960)
- To turn the tool off, push the on/off switch (A) to position O. Disconnect the tool from the power source and let the tool cool down before moving or storing it.

Removing Paint

⚠ WARNING: Refer to Important Notice under Additional Safety Instructions for Heat Guns before using the tool to remove paint.

⚠ WARNING: Do not strip metal window frames as the heat may crack the glass.

- When stripping other window frames, use a glass protection nozzle.
- To prevent igniting the surface, do not keep the tool directed at one spot too long.
- Avoid collecting paint on the scraper accessory, as it may ignite. If necessary, carefully remove paint debris from the scraper accessory using a knife.

- Attach the appropriate accessory.
- Turn the air temperature adjustment knob (D) to high.
- Turn the tool on by selecting the desired air flow.
- Direct the hot air onto the paint to be removed.
 - Best results will be achieved if the heat gun is moved slowly, but CONSTANTLY, from side to side to evenly distribute heat. **DO NOT LINGER OR PAUSE IN ONE SPOT.**
- When the paint softens, scrape the paint away using a hand scraper.

REMEMBER: Splinters and small particles of stripped paint can be ignited and blown through holes and cracks in the surface being stripped.

Stationary Use (Fig. 1)

This tool can also be used in stationary mode.

- Fold down the kickstand (C) as shown in Figure 1.
- Set the tool onto a level, stable workbench. Ensure the tool will not tip over.
- Secure the power cord to prevent entanglement or pulling the tool off the workbench.
- Turn the tool on by selecting the desired air flow.

Constant Heat Control (Overload Protection)

When the tool is overloaded, this feature protects the heating element from damage without stopping the tool and/or without a cool down period.

- When the temperature gets too hot, the heating element switches itself off. The motor will continue to run and produce cold air.
- When the temperature has cooled sufficiently (taking only a few seconds) the heating element will switch on automatically.

Tool Ring (Fig. 1)

⚠ WARNING: ALWAYS turn heat gun off, disconnect from the power source and let the tool cool down for at least 30 minutes before moving or storing it.

For easy storage, the tool can hang from the tool ring (F). The heat gun should be stored indoors.

Cool Down Period

The nozzle and accessory becomes very hot during use. Turn heat gun off, disconnect from the power source and let the tool cool down for at least 30 minutes before moving or storing it.

NOTE: To reduce the cooling time, switch the tool on at the lowest air temperature setting and let it run for a few minutes before turning the heat gun off.

MAINTENANCE

▲ WARNING: To reduce the risk of injury, turn off tool, disconnect from power source and allow to cool before installing and removing accessories, before making any adjustments or removing/installing attachments or accessories.

Your DEWALT power tool has been designed to operate over a long period of time with a minimum of maintenance. Continuous satisfactory operation depends upon proper tool care and regular cleaning.

Cleaning

▲ WARNING: Blow dirt and dust out of all air vents with dry air at least once a week. Wear proper ANSI Z87.1 (CAN/CSA Z94.3) eye protection and proper NIOSH/OSHA/MSHA respiratory protection when performing this.

▲ WARNING: Never use solvents or other harsh chemicals for cleaning the non-metallic parts of the tool. These chemicals may weaken the plastic materials used in these parts. Use a cloth dampened only with water and mild soap. Never let any liquid get inside the tool; never immerse any part of the tool into a liquid.

Lubrication

Your power tool requires no additional lubrication.

Accessories

▲ WARNING: Since accessories, other than those offered by DEWALT, have not been tested with this product, use of such accessories with this tool could be hazardous. To reduce the risk of injury, only DEWALT, recommended accessories should be used with this product.

Recommended accessories for use with your tool are available at extra cost from your local dealer or authorized service center. If you need assistance in locating any accessory, please contact DEWALT Industrial Tool Co., 701 East Joppa Road, Baltimore, MD 21286, call 1-800-4-DEWALT (1-800-433-9258) or visit our website www.dewalt.com.

Repairs

To assure product SAFETY and RELIABILITY, repairs, maintenance and adjustments (including brush inspection and replacement) should be performed by a DEWALT factory service center, a DEWALT authorized service center or other qualified service personnel. Always use identical replacement parts.

Three Year Limited Warranty

DEWALT will repair, without charge, any defects due to faulty materials or workmanship for three years from the date of purchase. This warranty does not cover part failure due to normal wear or tool abuse. For further detail of warranty coverage and warranty repair information, visit www.dewalt.com or call 1-800-4-DEWALT (1-800-433-9258). This warranty does not apply to accessories or damage caused where repairs have been made or attempted by others. This warranty gives you specific legal rights and you may have other rights which vary in certain states or provinces.

In addition to the warranty, DEWALT tools are covered by our:

1 YEAR FREE SERVICE

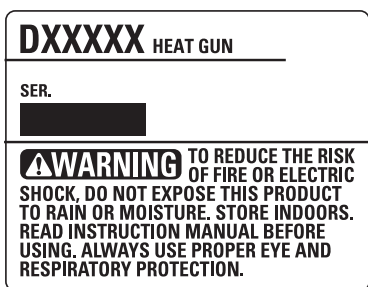
DEWALT will maintain the tool and replace worn parts caused by normal use, for free, any time during the first year after purchase.

90 DAY MONEY BACK GUARANTEE

If you are not completely satisfied with the performance of your DEWALT Power Tool, Laser, or Nailer for any reason, you can return it within 90 days from the date of purchase with a receipt for a full refund – no questions asked.

LATIN AMERICA: This warranty does not apply to products sold in Latin America. For products sold in Latin America, see country specific warranty information contained either in the packaging, call the local company or see website for warranty information.

FREE WARNING LABEL REPLACEMENT: If your warning labels become illegible or are missing, call 1-800-4-DEWALT (1-800-433-9258) for a free replacement.



Définitions : lignes directrices en matière de sécurité

Les définitions ci-dessous décrivent le niveau de danger pour chaque mot-indicateur employé. Veuillez lire le mode d'emploi et porter une attention particulière à ces symboles.

▲ DANGER : Indique une situation dangereuse imminente qui, si elle n'est pas évitée, causera la mort ou des blessures graves.

▲ AVERTISSEMENT : Indique une situation potentiellement dangereuse qui, si elle n'est pas évitée, pourrait se solder par un décès ou des blessures graves.

▲ ATTENTION : Indique une situation potentiellement dangereuse qui, si elle n'est pas évitée pourrait se solder par des blessures mineures ou modérées.

AVIS : Indique une pratique ne posant aucun risque de dommages corporels mais qui par contre, si rien n'est fait pour l'éviter, pourrait poser des risques de dommages matériels.

POUR TOUT COMMENTAIRE, OU QUESTION, RELATIF À CET OUTIL OU TOUT AUTRE OUTIL DEWALT, COMPOSEZ GRATUITEMENT LE : 1-800-4-DEWALT (1-800-433-9258)



▲ DANGER : Pour réduire tout risque de dommages corporels, lire le manuel de l'utilisateur. Tout manquement aux directives suivantes pose des risques de chocs électriques, d'incendie et/ou de blessures graves.

CONSIGNES DE SÉCURITÉ IMPORTANTES LIRE CES DIRECTIVES

Consignes de sécurité propres aux pistolets thermiques

- Pour réduire tout risque d'explosion, **NE PAS** utiliser au sein de cabines de pulvérisation ou à proximité (moins de 3 m [10 pi]) d'applications de peinture au pistolet.
- Cet appareil est muni d'une fiche polarisée (l'une des lames est plus large que l'autre). Pour réduire tout risque de chocs électriques, cette fiche a été conçue pour rentrer dans une prise polarisée uniquement dans un seul sens. Inverser la fiche si elle ne rentre pas correctement dans la prise. Si ce n'est toujours pas le cas, consulter un électricien qualifié. Ne modifier la fiche en aucune façon.
- **NE PAS utiliser cet outil pour décaper de la peinture au plomb.** La peinture écaillée, ses résidus ou émanations peuvent contenir du plomb qui est toxique pour l'individu.
- Certains lieux, comme derrière des murs, plafonds, sols, panneaux de coffrage ou autres, peuvent dissimuler des matériaux inflammables qui pourraient s'enflammer lorsque le pistolet thermique est utilisé à proximité. L'ignition de ces matériaux pourrait ne pas être

immédiatement apparente, et causer des dommages corporels et matériels sérieux. Au sein de ce genre d'emplacements, effectuer des va-et-vient continus avec le pistolet thermique. Le fait de s'arrêter ou s'attarder sur un point pourrait enflammer le panneau ou le matériau dissimulé derrière.

REMARQUE : Ces pistolets thermiques peuvent produire des températures supérieures à 1000 °F.

- **NE PAS** utiliser cet outil pour sécher les cheveux.
- **NE PAS** utiliser cet outil pour réchauffer la nourriture.
- **NE PAS** poser le pistolet thermique sur une surface inflammable pendant ou immédiatement après son utilisation. Laisser l'outil refroidir avant de l'entreposer. Poser systématiquement le pistolet sur une surface plane, l'embout pointant vers le haut.
- **NE PAS** utiliser l'appareil en présence de matériaux explosifs.
- Arrimer soigneusement tout élément mobile lors du raclage.
- **NE JAMAIS** obstruer les prises d'air ou l'embout. Cela pourrait causer une accumulation excessive de chaleur et endommager l'outil.
- S'assurer de diriger systématiquement le jet d'air chaud dans une direction sûre, opposée à tout individu présent ou tout objet inflammable.
- **NE PAS** retirer le barillet anti-brûlures pendant l'utilisation.
- **PROTÉGER LES DOIGTS DE L'EMBOU METALLIQUE**, car il chauffera énormément au cours de l'utilisation et restera ainsi pendant une trentaine de minutes après utilisation. Protéger les mains avec des gants.
- Maintenir **SYSTÉMATIQUEMENT** l'embout à l'écart du cordon électrique.
- **NE** mettre l'embout en contact avec **AUCUNE** surface pendant et juste après utilisation.
- **NE RIEN** insérer dans l'embout pour prévenir tout risque de chocs électriques. En raison des températures élevées produites lors de l'utilisation, ne pas regarder à l'intérieur de l'embout pendant le fonctionnement de l'outil.
- Des éclats ou de petites particules de peintures pourraient s'enflammer et être éjectés dans les trous ou fentes de la surface à décaper.
- **NE PAS** appliquer la chaleur au même endroit pendant une période prolongée.
- **NE PAS** brûler la peinture. Utiliser le grattoir fourni à cet effet et maintenir l'embout à un minimum de 25 mm (1 po) de la surface peinte. Pour décaper une surface verticale, travailler de haut en bas pour empêcher que la peinture ne tombe sur l'outil et ne brûle.
- **NE PAS** laisser la peinture adhérer sur l'embout ou le grattoir, car elle pourrait s'enflammer.
- Utiliser **SYSTÉMATIQUEMENT** des grattoirs et des couteaux à décaper de bonne qualité.
- **NE PAS** utiliser le pistolet thermique en même temps qu'un décapant chimique.
- **NE PAS** utiliser d'embout accessoire en tant que grattoir.
- **NE PAS** diriger le flot d'air du pistolet thermique sur du verre. Ce dernier pourrait se briser et poser des risques de dommages corporels ou matériels sérieux.
- Maintenir en place, étiquettes et plaques signalétiques, car ils comportent des informations importantes.
- Placer le pistolet thermique sur une surface plane et stable après toute utilisation. Disposer son cordon de façon à ce que le pistolet thermique ne puisse être renversé.
- Se rappeler systématiquement que cet outil pourrait enflammer des matériaux, les ramollir ou les faire fondre. Peu importe la tâche en cours, protéger ou éloigner ces matériaux du pistolet thermique.
- Il se pourra occasionnellement que l'outil fume légèrement après utilisation. Cela provient de l'huile résiduelle déposée sur les éléments chauffant de l'outil lors de sa fabrication.
- Utiliser une protection oculaire et tout autre matériel de sécurité approprié.
- Ne pas utiliser le cordon de façon abusive. Ne jamais utiliser le cordon électrique pour transporter, tirer ou débrancher l'outil. Protéger le cordon de la chaleur, de l'huile, d'arêtes coupantes ou de pièces mobiles. Les cordons endommagés ou emmêlés augmentent les risques de chocs électriques.
- Pour utiliser un outil à l'extérieur, utiliser une rallonge conçue à cet effet. L'utilisation d'une rallonge conçue pour l'extérieur réduit les risques de chocs électriques.
- Ne pas exposer les outils électriques à la pluie ou à l'humidité. Tout contact d'un liquide avec un outil électrique augmente les risques de chocs électriques.
- Ne pas effectuer de travaux hors de portée. Les pieds doivent rester bien ancrés au sol afin de maintenir son équilibre en permanence. Cela permet de conserver la maîtrise de l'outil dans les situations imprévues.
- Après usage, ranger les outils hors de portée des enfants, et ne permettre à aucune personne non familière avec un outil (ou son manuel d'instruction) d'utiliser ce dernier. Les outils peuvent être dangereux entre des mains inexpérimentées.
- Faire entretenir cet outil par un réparateur qualifié qui n'utilisera que des pièces de rechange identiques. Cela permettra d'assurer l'intégrité de l'outil et la sécurité de l'utilisateur.
- Prendre des précautions à proximité des événements car ils cachent des pièces mobiles. Les vêtements amples, bijoux ou cheveux longs pourraient s'y faire prendre.
- Pour la sécurité de l'utilisateur, utiliser une rallonge de calibre adéquat (AWG, American Wire Gauge [calibrage américain normalisé des fils électriques]). Plus son calibre est petit, plus sa capacité est grande. Une rallonge de calibre 16, par exemple, a plus de capacité qu'une rallonge de calibre 18. L'usage d'une rallonge de calibre insuffisant causera une chute de tension qui entraînera perte de puissance et surchauffe. Si plus d'une rallonge est utilisée pour obtenir une certaine longueur, s'assurer que chaque rallonge présente au moins le calibre de fil minimum. Le tableau ci-dessous illustre les calibres à utiliser selon la longueur de rallonge et l'intensité nominale indiquée sur la plaque signalétique. En cas de doute, utiliser le calibre suivant. Plus le calibre est petit, plus la rallonge peut supporter de courant.

Calibres minimaux des rallonges						
Intensité (en ampères)		Volts	Longueur totale de cordon en mètres (pieds)			
		120V	7,6 (25)	15,2 (50)	30,5 (100)	45,7 (150)
		240V	15,2 (50)	30,5 (100)	61,0 (200)	91,4 (300)
Supérieur à	Inférieur à	AWG				
0	6	18	16	16	14	
6	10	18	16	14	12	
10	12	16	16	14	12	
12	16	14	12	Non recommandé		

▲ AVERTISSEMENT : Porter systématiquement une protection oculaire. Tout utilisateur ou individu présent doit porter une protection oculaire homologuée ANSI Z87.1.

▲ AVERTISSEMENT : Pendant l'utilisation, porter systématiquement une protection auditive individuelle adéquate homologuée ANSI S12.6 (S3.19). Sous certaines conditions et suivant la longueur d'utilisation, le bruit émanant de ce produit pourrait contribuer à une perte de l'acuité auditive.

▲ AVERTISSEMENT : Les scies, meules, ponceuses, perceuses ou autres outils de construction, peuvent produire des poussières contenant des produits chimiques reconnus pour causer cancers, malformations congénitales ou être nocifs pour le système reproducteur. Parmi ces produits chimiques, on retrouve :

- le plomb dans les peintures à base de plomb;
- la silice cristallisée dans les briques et le ciment ou autres articles de maçonnerie; et
- l'arsenic et le chrome dans le bois ayant subi un traitement chimique (ACC).

Le risque associé à de telles expositions varie selon la fréquence à laquelle on effectue ces travaux. Pour réduire toute exposition à ces produits : travailler dans un endroit bien aéré, en utilisant du matériel de sécurité homologué tel un masque antipoussières spécialement conçu pour filtrer les particules microscopiques.

▲ AVERTISSEMENT : PORTER SYSTÉMATIQUEMENT DES LUNETTES DE PROTECTION. Les lunettes courantes NE sont PAS des lunettes de protection. Utiliser aussi un masque antipoussières si la découpe doit en produire beaucoup. Tout utilisateur ou individu présent DOIT porter SYSTÉMATIQUEMENT un équipement de sécurité homologué :

- Protection oculaire ANSI Z87.1 (CAN/CSA Z94.3);
 - Protection auditive ANSI S12.6 (S3.19);
 - Protection des voies respiratoires NIOSH/OSHA/MSHA.
- L'étiquette apposée sur votre outil peut inclure les symboles suivants. Les symboles et leur définition sont indiqués ci-après :

V	volts	A	ampères
Hz	hertz	W	watts
min	minutes	~	courant alternatif
==	courant continu	no	vitesse à vide

Ⓜ Classe / Fabrication (mis à la terre)
Ⓜ Fabrication Classe II (double isolation)
sfpm pieds linéaires par minute (plpm)

Ⓜ borne de terre
⚠ symbole d'avertissement
BPM battements par minute
.../min tours ou retour par minute

TOUT INDIVIDU DÉCAPANT DE LA PEINTURE SE DOIT DE SUIVRE SYSTÉMATIQUEMENT LES CONSIGNES SUIVANTES :

⚠AVERTISSEMENT : Il est recommandé de faire preuve de la plus extrême prudence lors du décapage de la peinture. La peinture écaillée, ses résidus ou émanations peuvent contenir du plomb qui est toxique pour l'individu. Les peintures pré 1977 peuvent contenir du plomb et la peinture des maisons datant d'avant 1950 contiennent presque sûrement du plomb. Une fois le plomb étalé sur une surface, tout contact manuel posera des risques d'ingestion. Toute exposition au plomb, même à des taux minimes, pose des risques de dommages irréversibles au cerveau et au système nerveux. Les jeunes enfants et les fœtus sont particulièrement vulnérables.

Avant de décaper toute peinture, il est recommandé de déterminer si elle contient du plomb. Cela peut être fait par votre département local de la santé ou par un professionnel qui utilisera un analyseur de peinture pour vérifier le taux de plomb contenu par la peinture à décaper. **TOUTE PEINTURE AU PLOMB DOIT ÊTRE RETIRÉE EXCLUSIVEMENT PAR UN PROFESSIONNEL, ET JAMAIS À L'AIDE D'UN PISTOLET THERMIQUE.** Tout individu décapant de la peinture se doit de suivre les consignes suivantes :

- Déplacer la pièce à décaper à l'extérieur. Si c'est impossible, maintenir l'aire de travail bien ventilée. Ouvrir les fenêtres et installer un ventilateur d'aspiration à l'une d'elles. S'assurer que le ventilateur déplace l'air de l'intérieur vers l'extérieur.
- Retirer ou couvrir moquettes, tapis, meubles, vêtements, ustensiles de cuisine et conduits de ventilation.
- Installer des toiles de protection sur les lieux de travail pour récupérer toute peinture écaillée ou débris. Porter des vêtements de protection tels que chemises de travail, salopettes, chapeaux.
- Travailler dans une pièce à la fois. Il est recommandé de sortir les meubles ou de les placer au centre de la pièce et de les recouvrir. Les lieux de travail devraient être isolés hermétiquement du reste de l'habitation en scellant les ouvertures avec des toiles de protection.
- Éloigner les enfants, les femmes enceintes ou potentiellement enceintes, les mères allaitant, des lieux de travail tant que le travail et le nettoyage ne sont pas terminés.
- Porter un appareil de protection des voies respiratoires normal ou à double filtre (poussières et émanations) homologué par l'Administration de la sécurité et de la santé au travail (OSHA), l'Institut national pour la sécurité et la santé (NIOSH), ou le Bureau des Mines américain. Ces appareils respiratoires et leurs filtres de remplacement sont disponibles auprès de la plupart des grands magasins de bricolage. S'assurer que le masque sied correctement. La barbe et les poils peuvent interférer avec l'efficacité des masques. Changer régulièrement les filtres. **LES MASQUES JETABLES EN PAPIER NE SONT PAS ADEQUATS.**
- Utiliser le pistolet thermique avec précautions. Déplacer le pistolet thermique constamment car une chaleur excessive produira des émanations qui pourront être inhalées par l'utilisateur.
- Maintenir toute nourriture ou boisson hors de l'aire de travail. Se laver soigneusement les mains, bras et le visage, et se rincer la bouche avant de manger ou boire. Ne pas fumer, ou mâcher du chewing-gum ou du tabac, au sein de l'aire de travail.
- Nettoyer toute peinture décapée et poussière des sols à l'aide d'une lavette humide. Utiliser un chiffon humide pour nettoyer murs, rebords de fenêtre, et toutes autres surfaces où la peinture ou la poussière s'est accrochée. **NE PAS BALAYER, ÉPOUSSETER À SEC OU PASSER L'ASPIRATEUR.** Utiliser un détergent à taux concentré de phosphate ou triphosphate de sodium (Na₃PO₄) pour nettoyer et laver les lieux de travail.
- En fin de travail, mettre peinture écaillée et débris dans un sac de plastique double, fermer soigneusement à l'aide d'un ruban adhésif ou un lien torsadé et jeter conformément aux normes en vigueur.
- Retirer tout vêtement de protection et chaussures de travail sur les lieux de travail pour éviter de transporter la poussière dans le reste de l'habitation. Nettoyer les vêtements de travail séparément. Nettoyer les chaussures avec un chiffon humide que l'on lavera avec les vêtements de travail. Laver soigneusement le corps et les cheveux à l'eau et au savon.

AVIS IMPORTANT

Pour que cet outil fonctionne efficacement en tant que décapant peinture, il doit produire des températures extrêmement élevées. Par conséquent, cet outil est capable d'enflammer papier, bois, peinture, vernis et autres matériaux similaires.

En vous familiarisant avec l'outil et son utilisation adéquate, vous réduirez grandement les dangers d'ignition accidentelle. Pour apprendre à maîtriser la bonne technique, rien ne vaut la PRATIQUE ! Travaillez tout d'abord sur des projets de décapage simples, à l'extérieur de préférence, jusqu'à acquérir l'expérience voulue pour utiliser l'outil efficacement et en toute sécurité.

EN COURS DE PRATIQUE, SUIVRE LES PROCÉDURES DE SÉCURITÉ SUIVANTES :

- S'assurer que l'outil est systématiquement arrêté et déconnecté du secteur lorsqu'il est laissé sans surveillance.
- Nettoyer régulièrement la lame du grattoir au cours de l'utilisation. Toute accumulation de résidus sur la lame sera extrêmement inflammable.
- Effectuer divers essais pour déterminer la distance optimale entre l'embout de l'outil et la surface à décaper. Cette distance (25,4 mm à 50,8 mm [1 po à 2 po]) variera selon le matériau à décaper.
- Maintenir constamment le pistolet thermique en mouvement devant la lame du grattoir.
- Au cours de l'opération, nettoyer tout débris ou peinture écaillée qui se sera accumulé au sein de l'aire de travail.
- En intérieur, rester à distance de tout rideau, papier, tissu d'ameublement ou autre matériau similaire inflammable.
- Rester surtout conscient que cet outil peut être dangereux mais qu'il peut produire un excellent résultat lorsqu'il est utilisé correctement. S'exercer sur des projets simples jusqu'à acquérir une certaine familiarité avec l'outil. C'est ainsi que l'on apprendra à maîtriser la bonne technique.

CONSERVER CES CONSIGNES POUR UTILISATION ULTÉRIEURE

Description (Fig. 1)

⚠AVERTISSEMENT : Ne jamais modifier l'outil ni aucun de ses composants, Il y a risques de dommages corporels ou matériels.

- Interrupteur marche/arrêt
- Orifices d'aération
- Béquille
- Régulateur de température d'air (D26950)
Voyant LCD de température d'air et bouton de réglage (D26960)
- Embout
- Anneau d'accrochage
- Barillet anti-brûlures

USAGE PRÉVU

Votre pistolet thermique DEWALT a été conçu pour décaper les peintures, souder les tuyaux, contracter le PVC, souder et modeler les plastiques ainsi que pour des applications générales de séchage et de fonte.

⚠AVERTISSEMENT : NE PAS utiliser l'outil en milieu ambiant humide ou en présence de liquides ou de gaz inflammables.

Ce pistolet thermique est un outil électrique de professionnels. **NE PAS** le laisser à la portée des enfants. Une supervision est nécessaire auprès de tout utilisateur non expérimenté.

ASSEMBLAGE ET RÉGLAGES

⚠AVERTISSEMENT : Pour réduire tout risque de dommages corporels, arrêter et débrancher l'outil et le laisser refroidir avant tout réglage ou avant de retirer ou installer toute pièce ou tout accessoire

Température de l'air (Fig. 1)

D26950

La température de l'air peut être ajustée pour l'adapter à une grande variété d'applications. Tournez le régulateur de température d'air (D) vers la droite ou vers la gauche pour élever ou réduire la température.

D26960

Appuyez rapidement sur le voyant LCD de température d'air et bouton de réglage (D) pour régler la température désirée par incréments de 10 °C (50 °F). Pour augmenter ou réduire la température en continu, maintenez appuyé le voyant LCD de température d'air et bouton de réglage (D). Relâchez le voyant lorsque la température désirée ou le minimum/maximum est atteint.

L'écran affichera la température réelle, augmentant ou diminuant, jusqu'à ce que la température désirée soit atteinte.

RÉGLAGE SANS SOUCI DU SYSTÈME DE CONTRÔLE DE LA TEMPÉRATURE D26960

La température désirée est enregistrée par la mémoire de l'outil. Chaque fois que le pistolet thermique est mis en marche, il ajustera le débit d'air sur le réglage de la dernière température utilisée. Si vous n'êtes pas sûr de ce paramètre, choisissez systématiquement une température basse et augmentez-la graduellement jusqu'au paramètre désiré.



Utilisations

Le tableau ci-dessous propose les réglages appropriés à différentes applications.

Paramètre	Utilisations
Bas	<ul style="list-style-type: none"> Sécher la peinture et le vernis Décoller les autocollants Cirer ou éliminer la cire Sécher le bois avant le masticage Contracter le PVC, envelopper et isoler les tubes Dégeler les tuyaux gelés
Élevé	<ul style="list-style-type: none"> Souder les plastiques Modeler tuyaux et panneaux plastiques Desserrer écrous ou boulons rouillés ou bloqués Décaper peinture et laque Souder les raccords de plomberie Retirer le linoléum ou les carreaux en vinyle

Installation des accessoires adéquats

L'outil est fourni avec un ensemble d'accessoires destinés à différentes applications.

icône	Description	But
	Embout conique	Souder, braser, contracter les gaines (chauffe sur de petites surfaces concentrées)
	50 mm (2 po) Embout queue de poisson	Sécher et décaper la peinture, Retirer le vinyle ou le linoléum, dégeler (chauffe sur de larges surfaces)

- Assurez-vous que l'interrupteur marche/arrêt (A) est bien sur la position « O » et que l'outil est déconnecté du secteur. Assurez-vous que l'embout a refroidi.
- Placez l'accessoire désiré sur l'embout.

FONCTIONNEMENT

⚠AVERTISSEMENT : S'assurer SYSTÉMATIQUEMENT que l'embout pointe à l'opposé de l'utilisateur et de tout individu présent.

⚠AVERTISSEMENT : NE RIEN insérer dans l'embout.

⚠AVERTISSEMENT : Maintenir l'outil d'une seule main comme illustré en figure 2. Ne pas placer l'autre main sur les orifices d'aération (fig. 3).

AVANT TOUT UTILISATION

- Installez l'accessoire adéquat, recommandé pour l'application.
- Ajustez le régulateur de température d'air (D) sur la température d'air désirée.

Mise en marche et arrêt de l'appareil (Fig. 4)

- Poussez l'interrupteur marche/arrêt (A) sur le paramètre de débit d'air désiré :
Un débit d'air réduit pour chauffer lentement une pièce à décaper.
I : 8,5 pi³/min [50 à 400 °C (120 à 750 °F)]
8,8 pi³/min [65 à 400 °C (150 à 750 °F)] (D26960)
Un débit d'air élevé pour chauffer rapidement une pièce à décaper.
II : 16 pi³/min [50 à 600 °C (120 à 1100 °F)]
17,7 pi³/min [65 °C à 600 °C (150 à 1100 °F)] (D26960)
- Pour arrêter l'outil, déplacez l'interrupteur (A) sur la position « O ». Déconnectez l'outil du secteur et laissez-le refroidir avant de le déplacer ou l'entreposer.

Décapage de la peinture

⚠AVERTISSEMENT : Se reporter au paragraphe **Avis important** sous la section **Consignes De Sécurité Propres Aux Pistolets Thermiques** avant d'utiliser l'outil pour décaper la peinture.

⚠AVERTISSEMENT : Ne pas décaper les cadres métalliques de fenêtre car la chaleur pourrait briser le verre.

- Pour décaper les cadres des autres fenêtres, utiliser un embout de protection du verre.
- Pour prévenir l'ignition de toute surface, ne pas diriger l'outil sur le même point trop longtemps.
- Éviter toute accumulation de peinture sur le grattoir, car elle pourrait s'enflammer. Si nécessaire, retirer prudemment la peinture écaillée du grattoir à l'aide d'un couteau.

- Rattachez l'accessoire adéquat.
- Ajustez le régulateur de température d'air (D) sur élevé.
- Démarrez l'outil en choisissant le débit d'air désiré.
- Dirigez l'air chaud sur la peinture à décaper.
Pour des résultats optimaux, déplacez le pistolet thermique lentement mais CONSTAMMENT, latéralement pour distribuer la chaleur uniformément. **NE PAS S'ATTARDER OU S'ARRÊTER SUR UN POINT.**
- Lorsque la peinture ramollit, éliminez-la à l'aide du grattoir.

SE RAPPELER QUE : des éclats ou de petites particules de peinture pourraient s'enflammer et être éjectés dans les trous ou fentes de la surface à décaper.

Utilisation fixe (Fig. 1)

Cet outil peut aussi être utilisé en mode fixe.

- Rabattez la béquille (C) comme illustré en figure 1.
- Installez l'outil sur un établi stable et de niveau. Assurez-vous que l'outil ne tombera pas.
- Arrimez le cordon électrique pour éviter qu'il ne s'emmêle ou fasse tomber l'outil de l'établi.
- Démarrez l'outil en choisissant le débit d'air désiré.

Contrôle continu de la chaleur (protection contre les surcharges)

Lorsque l'outil surcharge, cette fonctionnalité protège l'élément chauffant contre tout dommage sans pour autant arrêter l'outil, et/ou sans période de refroidissement.

- Lorsque la température est trop élevée, l'élément chauffant s'arrête automatiquement. Le moteur continuera de fonctionner et de produire de l'air froid.
- Lorsque la température aura suffisamment baissé (en quelques secondes), l'élément chauffant se remettra automatiquement en marche.

Anneau d'accrochage (Fig. 1)

⚠AVERTISSEMENT : Arrêter SYSTÉMATIQUEMENT le pistolet thermique, le déconnecter du secteur et le laisser refroidir 30 minutes minimum avant de le déplacer ou de l'entreposer.

Pour faciliter le stockage, l'outil peut être accroché par son anneau (F). Le pistolet thermique doit être rangé à l'intérieur.

Temps de refroidissement

L'embout et les accessoires chauffent énormément pendant l'utilisation. Arrêtez le pistolet thermique, déconnectez-le du secteur et laissez-le refroidir 30 minutes minimum avant de le déplacer ou l'entreposer.

REMARQUE : Pour réduire le temps de refroidissement, mettre l'outil sur une température d'air basse et le laisser fonctionner quelques minutes avant d'arrêter le pistolet.

MAINTENANCE

⚠️AVERTISSEMENT : Pour réduire tout risque de dommages corporels, arrêter et débrancher l'outil et le laisser refroidir avant tout réglage ou avant de retirer ou installer toute pièce ou tout accessoire.

Cet outil DEWALT a été conçu pour fonctionner longtemps avec un minimum de maintenance. Le fonctionnement continu et satisfaisant de l'outil dépend d'un entretien adéquat et d'un nettoyage régulier.

Entretien

⚠️AVERTISSEMENT : Expulser tout débris ou poussière des événements à l'aide d'un jet d'air sec au moins une fois par semaine. Porter une protection oculaire ANSI Z87.1 (CAN/CSA Z94.3) et respiratoire NIOSH/OSHA/MSHA adéquates pour effectuer cette opération.

⚠️AVERTISSEMENT : Ne jamais utiliser de solvants ou tout autre produit chimique décapant pour nettoyer les parties non métalliques de l'outil. Ces produits chimiques pourraient attaquer les matériaux plastiques utilisés. Utilisez un chiffon humidifié avec de l'eau et un savon doux. S'assurer qu'aucun liquide ne pénètre dans l'outil ; ne jamais immerger aucune partie de l'outil dans un liquide.

Lubrification

Cet outil électrique ne requiert aucune lubrification additionnelle.

Accessoires

⚠️AVERTISSEMENT : Comme les accessoires autres que ceux offerts par DEWALT n'ont pas été testés avec ce produit, leur utilisation avec cet appareil pourrait comporter un danger. Pour réduire tout risque de dommages corporels, seuls des accessoires DEWALT recommandés doivent être utilisés avec cet appareil.

Les accessoires recommandés pour cet outil sont vendus séparément chez les distributeurs locaux ou dans les centres de réparation agréés. Si vous avez besoin d'aide pour localiser ces accessoires, veuillez contacter DEWALT Industrial Tool Co., 701 East Joppa Road, Baltimore, MD 21286 ou appeler 1-800-4-DEWALT (1-800-433-9258) ou vous rendre sur notre site www.dewalt.com.

Réparations

Pour assurer votre SÉCURITÉ et la FIABILITÉ du produit, toute réparation, maintenance et tout réglage (y compris l'inspection et le remplacement des balais) doivent être effectués dans un centre de réparation en usine DEWALT, un centre de réparation DEWALT agréé ou par tout autre personnel de réparation qualifié. Utilisez systématiquement des pièces de rechange d'origine.

Garantie limité de trois ans

DEWALT réparera, sans frais, tout produit défectueux causé par un défaut de matériel ou de fabrication pour une période de trois ans à compter de la date d'achat. La présente garantie ne couvre pas les pièces dont la défectuosité a été causée par une usure normale ou l'usage abusif de l'outil. Pour obtenir de plus amples renseignements sur les pièces ou les réparations couvertes par la présente garantie, visiter le site www.dewalt.com ou composer le 1-800-4-DEWALT (1-800-433-9258). Cette garantie ne s'applique pas aux accessoires et ne vise pas les dommages causés par des réparations effectuées par un tiers. Cette garantie confère des droits légaux particuliers à l'acheteur, mais celui-ci pourrait aussi bénéficier d'autres droits variant d'un état ou d'une province à l'autre.

En plus de la présente garantie, les outils DEWALT sont couverts par notre :

CONTRAT D'ENTRETIEN GRATUIT D'UN AN

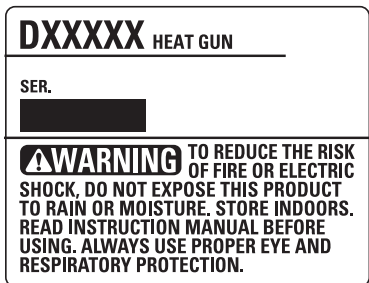
DEWALT entretiendra l'outil et remplacera les pièces usées au cours d'une utilisation normale et ce, gratuitement, pendant une période d'un an à compter de la date d'achat (à l'exception des articles de la cloueuse susceptibles de s'user rapidement, comme les joints toriques et les lames de l'enfonceur), et la

GARANTIE DE REMBOURSEMENT DE 90 JOURS

Si l'acheteur n'est pas entièrement satisfait, pour quelque raison que ce soit, du rendement de l'outil électrique, du laser ou de la cloueuse DEWALT, celui-ci peut le retourner, accompagné d'un reçu, dans les 90 jours à compter de la date d'achat pour obtenir un remboursement intégral, sans aucun problème.

AMÉRIQUE LATINE : Cette garantie ne s'applique aux produits vendus en Amérique latine. Pour ceux-ci, veuillez consulter les informations relatives à la garantie spécifique présente dans l'emballage, appeler l'entreprise locale ou consulter le site Web pour les informations relatives à cette garantie.

REMPLACEMENT GRATUIT DES ÉTIQUETTES D'AVERTISSEMENT : Si les étiquettes d'avertissement deviennent illisibles ou sont perdues, composer le 1-800-4-DEWALT (1-800-433-9258) pour les remplacer sans frais.



Definiciones: Normas de seguridad

Las siguientes definiciones describen el nivel de gravedad de cada palabra de señal. Lea el manual y preste atención a estos símbolos.

⚠️PELIGRO: Indica una situación de peligro inminente que, si no se evita, provocará la muerte o lesiones graves.

⚠️ADVERTENCIA: Indica una situación de peligro potencial que, si no se evita, podría provocar la muerte o lesiones graves.

⚠️ATENCIÓN : Indica una situación de peligro potencial que, si no se evita, puede provocar lesiones leves o moderadas.

AVISO : Se refiere a una práctica no relacionada a lesiones corporales que de no evitarse puede resultar en daños a la propiedad.

SI USTED TIENE ALGUNA PREGUNTA O COMENTARIO ACERCA DE ESTA O CUALQUIER OTRA HERRAMIENTA DEWALT, LLÁMENOS SIN COSTO AL: **1-800-4-DEWALT (1-800-433-9258)**

⚠️PELIGRO: Para reducir el riesgo de lesiones, lea el manual de instrucciones. No ajustarse a las instrucciones siguientes puede ser causa de choque eléctrico, incendio y/o lesiones graves.

INSTRUCCIONES DE SEGURIDAD IMPORTANTES LEA ESTAS INSTRUCCIONES

Instrucciones de seguridad para el uso de pistolas de aire caliente

- Para reducir el riesgo de explosión, **NO** use en una cabina de rocío de pintura o dentro de 3,0 metros (10 pies) de una operación de rocío de pintura.

• Este producto está equipado con una clavija polarizada (una pata es más ancha que la otra). Para reducir el riesgo de choque eléctrico, esta clavija sólo encaja de una forma en los enchufes polarizados. Si la clavija no se acopla al enchufe, invírtala. Si aún así no entra, comuníquese con un electricista calificado. No modifique ni cambie nunca la clavija.

• **NO use esta herramienta para quitar pinturas de plomo.** Los pedazos, residuos y gases de pintura pueden contener plomo, que es venenoso.

• Las áreas ocultas, como detrás de paredes o cielorrasos, debajo de pisos, tablas de plafón u otros paneles, pueden contener materiales inflamables que podrían encenderse al usar una pistola de aire caliente cuando trabaje en estos lugares. Estos materiales podrían encenderse en forma imperceptible al comienzo, lo que podría resultar en daños de propiedad y lesiones a personas. Cuando trabaje en este tipo de lugar, mantenga la pistola de aire caliente en movimiento, hacia adelante y hacia atrás. El detenerse o pausar en un lugar podría prender el panel o los materiales que se encuentran detrás del mismo.

NOTA: Estas pistolas de aire caliente son capaces de emitir temperaturas superiores a los 1000° Fahrenheit

• **NO** use esta herramienta como secadora de pelo.

• **NO** use esta herramienta para calentar comida.

• **NO** deje la pistola de aire caliente sobre superficies inflamables mientras esté en operación o inmediatamente después de apagarla. Deje que la herramienta se enfríe bien antes de guardarla. Siempre ponga la pistola de aire caliente sobre una superficie plana y nivelada de modo que la punta quede hacia arriba.

• **NO** lo use en frente de materiales explosivos.

• Afirme y fije cualquier artículo movable mientras raspe.

• **NUNCA** obstruya la entrada de aire o la salida de aire de la pistola para evitar la acumulación excesiva de calor, lo cual puede dañar la herramienta.

• Asegúrese de dirigir la salida de aire caliente en una dirección segura; aléjela de otras personas o de objetos inflamables.

• **NO** quite la tapa del barril de aire caliente durante el uso.

• **MANTENGA LOS DEDOS ALEJADOS DE LA PUNTA DE METAL;** se calienta mucho y sigue caliente 30 minutos después de cada uso. Use guantes para protegerse las manos.

• **SIEMPRE** mantenga la punta alejada del cable.

• **NO** toque la punta contra ninguna superficie mientras esté en operación o al poco tiempo de haber dejado de operarla.

• **NO** introduzca nada por la punta, porque podría causar un choque eléctrico. No mire dentro de la punta cuando la unidad está prendida por la producción de altas temperaturas.

• Las astillas y partículas pequeñas de pintura pueden encenderse y luego introducirse con el aire de la pistola dentro de orificios y ranuras en la superficie a remover.

• **NO** aplique el aire caliente sobre la misma superficie durante un período largo.

• **NO** quemé la pintura. Use la espátula incluida y guarde la punta por lo menos a 25 mm (1 pulg.) de una superficie pintada. Si trabaja en el sentido vertical, trabaje hacia abajo para que no caiga la pintura dentro de la herramienta y la parte quemada.

• **NO** permita la adherencia de pintura a la punta o espátula. Puede encenderse.

• **SIEMPRE** use espátulas y cuchillos de buena calidad cuando remueva pintura.

• **NO** use la pistola de aire caliente con removedores de pintura químicos.

• **NO** use las puntas de accesorio como espátulas.

• **NO** apunte el flujo de aire de la pistola de aire caliente directamente sobre vidrio. Puede rajarse el vidrio y podría resultar en daños de propiedad y lesiones corporales.

• Mantenga las etiquetas y las placas nominales, porque incluyen información importante.

• Coloque la pistola de aire caliente sobre una superficie estable y pareja si no la tiene a la mano. Coloque el cable en un lugar que no va a volcar la pistola de aire caliente.

• Esté siempre atento a que esta herramienta puede encender materiales inflamables y ablandar o derretir otros. No importa qué tarea esté desempeñando, siempre proteja y mantenga alejados de la pistola aquellos materiales.

• Es posible que en ocasión note algo de humo salir de la herramienta una vez apagada. Este es el resultado del calentamiento de residuos de aceite depositados en el elemento de calor durante el proceso de fabricación.

• **Use protección ocular y otro equipo de seguridad.**

• **No abuse el cable. Nunca use el cable para cargar, jalar o desenchufar la herramienta. Mantenga el cable alejado de las fuentes de calor, el aceite, las orillas afiladas o las piezas en movimiento.** Los cables dañados o enredados aumentan el peligro de choque eléctrico.

• **Si emplea una herramienta eléctrica en el exterior, use un cable de extensión adecuado para el uso afuera.** El uso de un cable de extensión para el exterior reduce el peligro de choque eléctrico.

• **No exponga la herramienta a condiciones de humedad o lluvia.** El agua que entra dentro de una herramienta aumenta el riesgo de choque eléctrico.

• **No ponga en peligro su estabilidad. Manténgase siempre bien apoyado y equilibrado.** Esto permite controlar mejor la herramienta si se produce algún imprevisto.

• **Cuando no las utilice, guarde las herramientas fuera del alcance de los niños y no permita la operación en manos de usuarios que no conocen la herramienta o las instrucciones.** Las herramientas son peligrosas en manos de usuarios no capacitados.

• **Su herramienta debe de ser reparada por personal de reparación calificado usando sólo repuestos originales.** Esto asegura la seguridad de la herramienta.

• **Las rejillas de ventilación suelen cubrir piezas en movimiento, por lo que se debe evitar el contacto con ellas.** Las piezas en movimiento pueden atrapar prendas de vestir sueltas, joyas o cabellos largos.

• **Los hilos del alargador deben ser de un calibre apropiado (AWG o American Wire Gauge) para su seguridad.** Mientras menor sea el calibre del hilo, mayor la capacidad del cable. Es decir, un hilo calibre 16 tiene mayor capacidad que uno de 18. Un cable de un calibre insuficiente causará una caída en la tensión de la línea dando por resultado una pérdida de energía y sobrecalentamiento. Cuando se utilice más de un alargador para completar el largo total, asegúrese que los hilos de cada alargador tengan el calibre mínimo. La tabla siguiente muestra el tamaño correcto a utilizar, dependiendo de la longitud del cable y del amperaje nominal de la placa de identificación. Si tiene dudas sobre cuál calibre usar, use un calibre mayor. Cuanto más pequeño sea el número del calibre, más resistente será el cable.

Calibre mínimo para cables de alimentación						
Amperaje		Voltios	Largo total del cable en metros (pies)			
		120V	7.6 (25)	15.2 (50)	30.5 (100)	45.7 (150)
Más de	No más de	240V	15.2 (50)	30.5 (100)	61.0 (200)	91.4 (300)
0	6	AWG				
		18	16	16	14	
		18	16	14	12	
		16	16	14	12	
		14	12	No recomendado		

• **⚠️ADVERTENCIA:** Siempre use protección ocular. Todo usuario o persona circunstante deberá utilizar protección ocular en conformidad con ANSI Z87.1.

• **⚠️ADVERTENCIA:** Siempre use protección auditiva personal en conformidad con ANSI S12.6 (S3.19) durante el uso de este aparato. Bajo algunas condiciones y duraciones de uso, el ruido producido por este producto puede contribuir a la pérdida auditiva.

• **⚠️ADVERTENCIA:** Parte del polvo generado al lijar, serrar, esmerilar o taladrar, así como al realizar otras actividades del sector de la construcción, contienen productos químicos que pueden producir cáncer, defectos congénitos u otras afecciones reproductivas. Algunos ejemplos de estos químicos son:

- plomo procedente de pinturas basadas en plomo,
- óxido de silicio cristalino procedente de ladrillos, cemento y otros productos de mampostería, y
- arsénico o cromo procedente de madera tratada químicamente (CCA).

Su riesgo de exposición a estos químicos varía, dependiendo de la frecuencia con la cual realiza usted este tipo de trabajo. Para reducir su exposición a estos químicos, trabaje en un lugar con buena ventilación y trabaje con equipo de seguridad aprobado, como máscaras antipolvo especialmente diseñadas para filtrar partículas microscópicas.

• **⚠️ADVERTENCIA:** USE SIEMPRE LENTES DE SEGURIDAD. Los anteojos de uso diario NO son anteojos de seguridad. Utilice además una máscara para la cara o guardapolvo si la operación de corte genera demasiado polvo. Todos los usuarios y personas circunstantes DEBEN llevar protección ocular en conformidad con:

- Protección ocular ANSI Z87.1 (CAN/CSA Z94.3),

- Protección auditiva ANSI S12.6 (S3.19),
 - Protección respiratoria NIOSH/OSHA/MSHA.
- La etiqueta de su herramienta puede incluir los siguientes símbolos. A continuación se indican los símbolos y sus definiciones:
- | | |
|--|--|
| V..... voltios | A..... amperios |
| Hz..... hercios | W..... vatios |
| min..... minutos | ~ corriente alterna |
| ==== corriente directa | n _o no velocidad sin carga |
| Ⓛ Construcción de clase I (tierra) | Ⓛ terminal de conexión a tierra |
| Ⓜ Construcción de clase II (doble aislamiento) | ⚠ símbolo de advertencia de seguridad |
| sfpm pies de superficie por minuto (sfpm) | BPM golpes por minuto |
| | .../min..... revoluciones o inversiones por minuto |

LAS PERSONAS QUE REMUEVEN PINTURA DEBEN SIEMPRE DE RESPETAR ESTAS PAUTAS:

⚠ADVERTENCIA: Es importante tener mucho cuidado al remover pintura. Los pedazos, residuos y gases de pintura pueden contener plomo, que es venenoso. Cualquier pintura aplicada antes de 1977 puede contener plomo, y es probable que la pintura aplicada a casas construidas antes de 1950 contenga plomo. Una vez depositada sobre una superficie, el contacto de las manos con ella puede resultar en una ingestión de plomo si se lleva las manos a la boca. La exposición a incluso niveles bajos de plomo puede causar daños irreversibles al cerebro y al sistema nervioso; los niños y bebés no natos son particularmente vulnerables.

Antes de comenzar el proceso de remover pintura, debería determinar si la pintura a remover contiene plomo o no. Esto puede hacerlo su oficina local de la salud o un profesional que use un analizador de pintura para verificar el contenido de plomo de la pintura a remover. **LA PINTURA EN BASE A PLOMO SÓLO DEBE SER REMOVIDA POR UN PROFESIONAL Y NO DEBERÍA SER REMOVIDA CON UNA HERRAMIENTA QUE EMITA AIRE CALIENTE.** La persona que quita la pintura debe de respetar estas pautas:

1. Coloque la pieza de trabajo afuera. Si esto no es posible, el área de trabajo debe de estar bien ventilado. Abra las ventanas y coloque un ventilador de extracción dentro de una de ellas. Asegúrese que el ventilador desplaza el aire de adentro a afuera.
2. Quite o cubra alfombras, tapetes, muebles, ropa, utensilios de cocina y conductos de aire.
3. Coloque las láminas de protección en el área de trabajo para contener astillas o pedazos de pintura. Vista ropa protectora como camisas de trabajo adicionales, overoles y cascos.
4. Trabaje en un cuarto a la vez. Debe de quitar o colocar el mobiliario en medio del cuarto y cubrirlo. El área de trabajo debe de ser aislado del resto de la vivienda sellando las puertas con láminas de protección.
5. Niños, mujeres embarazadas o probablemente embarazadas y madres lactantes no deberían de estar presentes en el área de trabajo hasta que el trabajo haya sido completado.
6. Utilice una máscara de respiración antipolvo o una máscara de respiración de doble filtro (polvo y humo) que ha sido aprobado por Occupational Safety and Health Administration (OSHA), National Institute of Safety and Health (NIOSH) o United States Bureau of Mines. Puede obtener estas máscaras y estos filtros reemplazables en las grandes ferreterías. Asegúrese que la máscara le queda bien. Las barbas y el vello de la cara pueden impedir un sello correcto de la máscara. Cambie los filtros a menudo. **LAS MÁSCARAS DESECHABLES DE PAPEL NO SON ADECUADAS.**
7. Tenga cautela cuando opere la pistola de aire caliente. La pistola de aire caliente debe de permanecer en movimiento porque el exceso de calor genera humos que el operador podría inhalar.
8. Mantenga la comida y las bebidas fuera del área de trabajo. Debe de lavarse las manos, los brazos y la cara y enjuagar la boca antes de comer o de beber. No fume o mastique chicle o tabaco en el área de trabajo.
9. Limpie el suelo de pintura y polvo acumulados con un trapeador mojado. Use un trapo mojado para limpiar las paredes, umbrales y las superficies que acumularon pintura o polvo. **NO LIMPIE CON UNA ESCOBA, UN TRAPO SECO O UNA ASPIRADORA.** Use un detergente con un alto nivel de fosfato o fosfato tribásico de sodio (TSP) para lavar y trapear las áreas.
10. Cuando finalice cada sesión de trabajo, coloque los pedazos de pintura y los restos dentro de una bolsa de plástico doble, cierre la bolsa con cinta adhesiva o un lazo de enrollado y deshágase de la bolsa correctamente.
11. Quítese la ropa protectora y los zapatos de trabajo dentro del área de trabajo para no esparcir el polvo dentro de la vivienda. Lave la ropa de trabajo por separado. Limpie los zapatos con un trapo mojado que puede lavar con la ropa de trabajo. Lávese el cabello y el cuerpo con jabón y agua.

AVISO IMPORTANTE

Para que esta herramienta sirva de removedor de pintura eficaz, debe de producir temperaturas extremadamente elevadas. Por lo tanto, el removedor es capaz de prender papel, madera, residuos de pintura y de barniz y materiales similares.

Cuando se familiarice más con la herramienta y desarrolle la técnica apropiada, reducirá enormemente el peligro de causar un incendio accidentalmente. ¡Al establecer la técnica apropiada, el mejor método es la PRÁCTICA! Trabaje en proyectos simples para remover la pintura, preferiblemente afuera, hasta que “sepa” cómo usar el removedor de manera segura y eficaz.

CUANDO PRACTIQUE, RESPETE LAS PAUTAS SIGUIENTES PARA SU SEGURIDAD

- Asegúrese siempre que la herramienta está apagada y desenchufada sin supervisión.
- Limpie la cuchilla de la espátula a menudo durante el uso. La acumulación de residuo sobre la cuchilla es sumamente inflamable.
- Experimente para encontrar la distancia ideal entre la punta de la herramienta y la superficie de trabajo. Esta distancia [25.4 mm–50.8 mm (1–2 pulg.)] puede cambiar dependiendo del material que desea remover.
- La pistola de aire caliente siempre debe de permanecer delante de la cuchilla del removedor.
- A medida que complete el trabajo, limpie los pedazos de pintura suelta acumulados alrededor del área de trabajo.
- Cuando trabaje adentro, manténgase alejado de cortinas, papeles, tapizado y materiales inflamables parecidos.
- Sobre todo, no se olvide que este aparato es serio y capaz de producir resultados excelentes si lo usa correctamente. Practique con proyectos simples hasta que se sienta a gusto con su removedor. Sólo entonces habrá dominado la técnica apropiada.

GUARDE ESTAS INSTRUCCIONES PARA SU FUTURA UTILIZACIÓN

Descripción (Fig. 1)

⚠ADVERTENCIA: Nunca cambie la herramienta o piezas de la herramienta. Podría producir lesiones corporales o daños.

- A. Interruptor de encendido y apagado
- B. Orificios de ventilación
- C. Pie de apoyo
- D. Botón de ajuste de la temperatura del aire (D26950)
Ajustador e indicador de la temperatura del aire con pantalla de cristal líquido (D26960)
- E. Punta
- F. Anillo para colgar la herramienta
- G. Tapa del barril de aire caliente

USO DEBIDO

Su pistola de aire caliente DEWALT ha sido diseñada para remover pintura, soldar tubería, encoger PVC, soldar y torcer plásticos y secar y descongelar en general.

⚠ADVERTENCIA: NO utilice la herramienta en condiciones húmedas o en la presencia de líquidos o gases inflamables.

Estas pistolas de aire caliente son herramientas eléctricas profesionales. NO permita que un niño juegue con ellos. Si el operador no tiene experiencia operando esta herramienta, su uso deberá ser supervisado.

MONTAJE Y AJUSTES

⚠ADVERTENCIA: Para reducir el riesgo de lesiones, apague y desenchufe la herramienta y permita que se enfríe antes de realizar ajustes o de quitar o poner accesorios.

Temperatura del aire (Fig. 1)

D26950

Puede ajustar la temperatura del aire para que corresponda a una gran variedad de usos. Gire el botón de ajuste de la temperatura del aire (D) hacia la derecha o la izquierda para aumentar o disminuir el nivel de calor.

D26960

Presione y suelte el ajustador e indicador de la temperatura del aire con la pantalla de cristal líquido (D) para establecer la temperatura deseada en incrementos de 10°C (50°F). Para aumentar o disminuir continuamente la temperatura, presione y mantenga presionado el ajustador e indicador de la temperatura del aire (D). Suelte el indicador cuando haya obtenido la temperatura deseada o la temperatura mínima/máxima.

La pantalla le indica el aumento/la disminución de temperatura actual hasta haber llegado a la temperatura deseada.

SISTEMA PARA ESTABLECER Y OLVIDAR EL CONTROL DE LA TEMPERATURA

D26960

Puede guardar la temperatura deseada en la memoria de la herramienta. La pistola de aire caliente se calienta hasta la última temperatura seleccionada a cada vez que prenda la pistola de aire caliente, con respecto al flujo de aire. Si no conoce la temperatura seleccionada, siempre arranque a una temperatura baja y aumente la temperatura gradualmente hasta haber llegado a la temperatura deseada.



Aplicaciones

La tabla siguiente sugiere el ajuste según el uso.

Ajuste	Uso
Bajo	<ul style="list-style-type: none"> • Para secar pintura y barniz • Para quitar etiquetas • Para encerar y quitar cera • Para secar madera mojada antes de rellenar • Para encoger envoltura de policloruro de vinilo y tubos de aislamiento • Para descongelar tubos congelados
Alto	<ul style="list-style-type: none"> • Para soldar plástico • Para torcer tubos y hojas de plástico • Para soltar tuercas y pernos demasiado apretados u oxidados • Para quitar pintura y laca • Para soldar juntas de plomería • Para quitar baldosas de vinilo o de linóleo

Para instalar el accesorio correcto

Esta herramienta incluye un juego de accesorios para diferentes usos.

Icono	Descripción	Uso
	Punta en cono	Soldar, Encoger fundas (calor por encima de una pequeña región concentrada)
	50 mm (2 pulg.) Cola de pescado Punta de superficie	Secar, remover pintura, Remover vinilo o linóleo, descongelar (calor esparcido sobre una grande región)

1. Asegúrese que el interruptor de encendido y apagado (A) esté en la posición O y que la herramienta esté desenchufada. Asegúrese que la punta se haya enfriado.
2. Coloque el accesorio deseado sobre la punta.

OPERACIÓN

⚠ADVERTENCIA: Asegúrese que la punta SIEMPRE apunte lejos de usted y observadores.

⚠ADVERTENCIA: NO debe de caer nada dentro de la punta.

⚠ADVERTENCIA: Use sólo una mano para sujetar la herramienta, tal como indicado en la Figura 2. No coloque su otra mano por encima de las rejillas de ventilación (Fig. 3).

ANTES DE SU OPERACIÓN

1. Conecte el accesorio correcto recomendado para el uso.
2. Gire el botón de ajuste de la temperatura del aire (D) hasta la temperatura de aire deseada.

Encender y apagar (Fig. 4)

1. Presione el interruptor de encendido y apagado (A) hasta el ajuste de flujo de aire deseado:

Un flujo de aire bajo para calentar la pieza de trabajo lentamente.

I: 8,5 CFM [50 °– 400 °C (120–750 °F)]

8,8 CFM [65 °– 400 °C (150–750 °F)] (D26960)

Un flujo de aire alto para calentar la pieza de trabajo rápidamente.

II: 16 CFM [50 °– 600 °C (120–1100 °F)]

17,7 CFM [65 °–600 °C (150–1100 °F)] (D26960)

2. Para apagar la herramienta, presione el interruptor de encendido y apagado (A) hasta la posición O. Desenchufe la herramienta y permita que se enfríe antes de mover o guardar la herramienta.

Remover pintura

⚠ADVERTENCIA: Consulte el **Aviso importante** bajo **Instrucciones de Seguridad Adicionales para Pistolas de Aire Caliente** antes de usar la herramienta para remover pintura.

⚠ADVERTENCIA: No remueva los marcos de ventanas de metal, porque el calor puede rajar el vidrio.

- Al remover pintura de otros marcos de ventanas, use una punta de protección de vidrio.
- Para evitar de prender la superficie, no deje la herramienta directamente sobre un sólo lugar demasiado tiempo.
- No acumule la pintura sobre el removedor, porque puede originar la ignición. En caso necesario, remueva los pedazos de pintura del removedor con cautela usando una cuchilla.

1. Instale el accesorio apropiado.
2. Gire el botón de ajuste de la temperatura del aire (D) al nivel alto.
3. Prenda la herramienta escogiendo el flujo de aire deseado.
4. Dirija el aire caliente sobre la pintura que debe de remover.
Obtendrá los mejores resultados si mueve la pistola de aire caliente despacio, pero **CONSTANTEMENTE**, de un lado al otro para distribuir el calor uniformemente. **NO SE DETENGA EN UN SÓLO LUGAR.**

5. Cuando la pintura suavice, puede remover la pintura usando una espátula de mano.

RECUERDE: Pueden encenderse las astillas y las pequeñas partículas de pintura removida sopladas dentro agujeros y rajas en la superficie de trabajo.

USO estacionario (Fig. 1)

También se puede usar esta herramienta en el modo estacionario.

1. Pliegue el pie de apoyo (C), como se muestra en la Figura 1.
2. Coloque la herramienta sobre una mesa de trabajo nivelada y estable. Asegúrese de no volcar la herramienta.
3. Sujete el cable eléctrico correctamente para que no se enrede alrededor de la herramienta y para que no se caiga de la mesa de trabajo.
4. Encienda la herramienta seleccionando el flujo de aire deseado.

Control de calentamiento constante (protección de sobrecarga)

Cuando se sobrecarga la herramienta, esta característica impide los daños al elemento de calentamiento sin detener la herramienta y/o sin necesitar un periodo de enfriamiento.

1. Cuando la herramienta se calienta demasiado, el elemento de calentamiento se apaga. El motor sigue en marcha y produce aire frío.
2. Cuando la temperatura ha bajado suficiente (después de unos segundos) el elemento de calentamiento se prende automáticamente.

Anillo de la herramienta (Fig. 1)

ADVERTENCIA: SIEMPRE debe de apagar la pistola de aire caliente, desconectarla de la fuente de alimentación y dejar que la herramienta se enfríe por lo menos 30 minutos antes de moverla o almacenarla.

Para facilitar el almacenamiento, puede colgar la herramienta usando el anillo de la herramienta (F). Debe de almacenar la pistola de aire caliente en el interior.

Periodo de enfriamiento

La punta y el accesorio se calientan mucho durante el uso. Apague la pistola de aire caliente, desconéctela de la fuente de alimentación y permita que se enfríe por lo menos 30 minutos antes de moverla o almacenarla.

NOTA: Para reducir el periodo de enfriamiento, encienda la herramienta con la temperatura de aire más baja y déjela prendida algunos minutos antes de apagar la pistola de aire caliente.

MANTENIMIENTO

ADVERTENCIA: Para reducir el riesgo de lesiones, apague la herramienta y desenchúfela, y permita que se enfríe antes de instalar y de remover accesorios, antes de realizar ajustes o antes de remover/instalar piezas o accesorios.

Su herramienta eléctrica DEWALT ha sido diseñada para operar durante un período largo de tiempo necesitando un mínimo de mantenimiento. Su operación continuamente satisfactoria depende del cuidado apropiado de la herramienta y regularidad de limpieza.

Limpeza

ADVERTENCIA: Use aire seco para soplar el polvo de todas las rejillas de ventilación por lo menos una vez por semana. Lleve protección ocular ANSI Z87.1 (CAN/CSA Z94.3) debida y protección respiratoria NIOSH/OSHA/MSHA debida al efectuar esto.

ADVERTENCIA: Nunca utilice solventes u otros químicos fuertes cuando limpie las piezas no metálicas de la herramienta. Estos químicos pueden debilitar los materiales de plástico utilizados en estas piezas. Use un paño humedecido con agua y jabón suave. No permita que ningún líquido se introduzca en la herramienta; no sumerja ninguna parte de la herramienta en un líquido.

Lubricación

Su herramienta eléctrica no requiere lubricación adicional.

Accesorios

ADVERTENCIA: Como otros accesorios fuera de los ofrecidos por DEWALT no han sido probados con este producto, el uso de tales accesorios con esta herramienta puede ser peligroso. Para reducir el riesgo de lesiones, sólo se deberían usar los accesorios recomendados por DEWALT con este producto.

Los accesorios recomendados para su herramienta están disponibles con un cargo adicional en su distribuidor local o en el centro de servicio autorizado. Si necesita ayuda para ubicar algún accesorio, por favor póngase en contacto con DEWALT Industrial Tool Co., 701 East Joppa Road, Baltimore, MD 21286, llame al 1-800-4- DEWALT (1-800-433-9258) o visite nuestro sitio web www.dewalt.com.

Reparaciones

Las reparaciones, el mantenimiento y los ajustes de este producto (incluyendo la inspección y el replazo del cepillo) deberían ser realizados por un centro de servicio de fábrica DEWALT, un centro de servicio autorizado por DEWALT u otro personal de servicio calificado para garantizar la SEGURIDAD y la CONFIABILIDAD. Siempre utilice repuestos idénticos.

Póliza de Garantía

IDENTIFICACIÓN DEL PRODUCTO:

Sello o firma del Distribuidor.

Nombre del producto: _____ Mod./Cat.: _____

Marca: _____ Núm. de serie: _____

(Datos para ser llenados por el distribuidor)

Fecha de compra y/o entrega del producto: _____

Nombre y domicilio del distribuidor donde se adquirió el producto: _____

Este producto está garantizado por un año a partir de la fecha de entrega, contra cualquier defecto en su funcionamiento, así como en materiales y mano de obra empleados para su fabricación. Nuestra garantía incluye la reparación o reposición del producto y/o componentes sin cargo alguno para el cliente, incluyendo mano de obra, así como los gastos de transportación razonablemente erogados derivados del cumplimiento de este certificado.

Para hacer efectiva esta garantía deberá presentar su herramienta y esta póliza sellada por el establecimiento comercial donde se adquirió el producto, de no contar con ésta, bastará la factura de compra.

EXCEPCIONES.

Esta garantía no será válida en los siguientes casos:

- Cuando el producto se hubiese utilizado en condiciones distintas a las normales;
- Cuando el producto no hubiese sido operado de acuerdo con el instructivo de uso que se acompaña;
- Cuando el producto hubiese sido alterado o reparado por personas distintas a las enlistadas al final de este certificado.

Anexo encontrará una relación de sucursales de servicio de fábrica, centros de servicio autorizados y franquiciados en la República Mexicana, donde podrá hacer efectiva su garantía y adquirir partes, refacciones y accesorios originales.

Garantía limitada por tres años

DEWALT reparará, sin cargo, cualquier falla que surja de defectos en el material o la fabricación del producto, por hasta tres años a contar de la fecha de compra. Esta garantía no cubre fallas de las piezas causadas por su desgaste normal o abuso a la herramienta. Para mayores detalles sobre la cobertura de la garantía e información acerca de reparaciones realizadas bajo garantía, visítenos en www.dewalt.com o llámenos al 1 800 433-9258 (1-800-4-DEWALT). Esta garantía no aplica a accesorios o a daños causados por reparaciones realizadas o intentadas por terceros. Esta garantía le otorga derechos legales específicos, además de los cuales puede tener otros dependiendo del estado o provincia en que se encuentre.

Además de la garantía, las herramientas DEWALT están cubiertas por:

1 AÑO DE SERVICIO GRATUITO

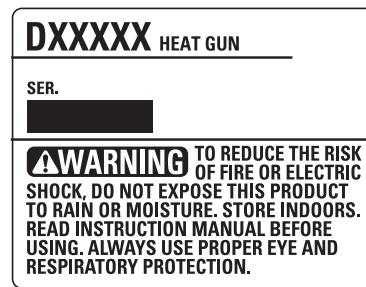
DEWALT mantendrá la herramienta y reemplazará las piezas gastadas por su uso normal, sin cobro, en cualquier momento durante un año a contar de la fecha de compra. Las piezas gastadas de la clavadora, tales como anillos tóricos y hojas del impulsor, no están cubiertas.

GARANTÍA DE REEMBOLSO DE SU DINERO POR 90 DÍAS

Si no está completamente satisfecho con el desempeño de su máquina herramienta, láser o clavadora DEWALT, cualquiera sea el motivo, podrá devolverlo hasta 90 días de la fecha de compra con su recibo y obtener el reembolso completo de su dinero – sin necesidad de responder a ninguna pregunta.

AMÉRICA LATINA: Esta garantía no se aplica a los productos que se venden en América Latina. Para los productos que se venden en América Latina, debe consultar la información de la garantía específica del país que viene en el empaque, llamar a la compañía local o visitar el sitio Web a fin de obtener esa información.

SUSTITUCIÓN GRATUITA DE LAS ETIQUETAS DE ADVERTENCIA: Si las etiquetas de advertencia se vuelven ilegibles o se pierden, llame al 1 800 433-9258 (1-800-4-DEWALT) para conseguir gratuitamente otras de repuesto.



PARA REPARACIÓN Y SERVICIO DE SUS HERRAMIENTAS ELÉCTRICAS, FAVOR DE DIRIGIRSE AL CENTRO DE SERVICIO MÁS CERCANO

CULIACAN, SIN Blvd. Emiliano Zapata 5400-1 Poniente Col. San Rafael	(667) 717 89 99
GUADALAJARA, JAL Av. La Paz #1779 - Col. Americana Sector Juárez	(33) 3825 6978
MEXICO, D.F. Eje Central Lázaro Cárdenas No. 18 Local D, Col. Obrera	(55) 5588 9377
MERIDA, YUC Calle 63 #459-A - Col. Centro	(999) 928 5038
MONTERREY, N.L. Av. Francisco I. Madero 831 Poniente - Col. Centro	(818) 375 23 13
PUEBLA, PUE 17 Norte #205 - Col. Centro	(222) 246 3714
QUERETARO, QRO Av. San Roque 274 - Col. San Gregorio	(442) 2 17 63 14
SAN LUIS POTOSI, SLP Av. Universidad 1525 - Col. San Luis	(444) 814 2383
TORREON, COAH Blvd. Independencia, 96 Pte. - Col. Centro	(871) 716 5265
VERACRUZ, VER Prolongación Díaz Mirón #4280 - Col. Remes	(229) 921 7016
VILLAHERMOSA, TAB Constitución 516-A - Col. Centro	(993) 312 5111

PARA OTRAS LOCALIDADES:

Si se encuentra en México, por favor llame al (55) 5326 7100

Si se encuentra en U.S., por favor llame al
1-800-433-9258 (1-800 4-DEWALT)

ESPECIFICACIONES

	D26950	D26960
Voltaje:	120 V c.a. ~	120 V c.a. ~
Amperaje:	13,0 A	13,0 A
Frecuencia:	60 Hz	60 Hz
Vatios:	1 550 W	1 550 W
Temperatura:	120–1 100 °F	150–1 100 °F

SOLAMENTE PARA PROPÓSITO DE MÉXICO:
IMPORTADO POR: DEWALT S.A. DE C.V.
BOSQUES DE CIDROS, ACCESO RADIATAS NO.42
3A. SECCIÓN DE BOSQUES DE LAS LOMAS
DELEGACIÓN CUAJIMALPA,
05120, MÉXICO, D.F.
TEL. (52) 555-326-7100
R.F.C.: BDE810626-1W7

Para servicio y ventas consulte
"HERRAMIENTAS ELÉCTRICAS"
en la sección amarilla.



Free Manuals Download Website

<http://myh66.com>

<http://usermanuals.us>

<http://www.somanuals.com>

<http://www.4manuals.cc>

<http://www.manual-lib.com>

<http://www.404manual.com>

<http://www.luxmanual.com>

<http://aubethermostatmanual.com>

Golf course search by state

<http://golfingnear.com>

Email search by domain

<http://emailbydomain.com>

Auto manuals search

<http://auto.somanuals.com>

TV manuals search

<http://tv.somanuals.com>