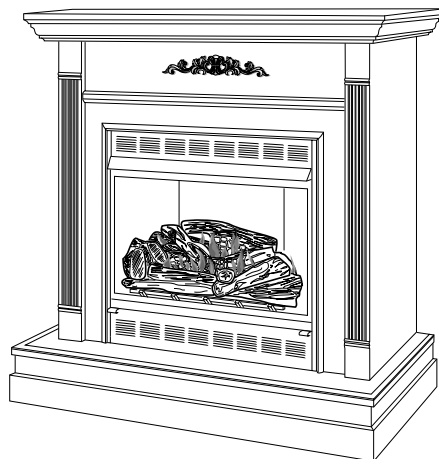


Comfort Glow[®]

UNVENTED (VENT-FREE) PROPANE/LP GAS FIREPLACE OWNER'S OPERATION AND INSTALLATION MANUAL

**CGEFP33PR
AND
EFP33PR
GAS FIREPLACE
WITH TOTAL
CONTROL
SYSTEM (TCS)**



Shown with optional cabinet mantel, hearth base, and trim accessories.

WARNING: If the information in this manual is not followed exactly, a fire or explosion may result causing property damage, personal injury, or loss of life.

- Do not store or use gasoline or other flammable vapors and liquids in the vicinity of this or any other appliance.
- **WHAT TO DO IF YOU SMELL GAS**
 - Do not try to light any appliance.
 - Do not touch any electrical switch; do not use any phone in your building.
 - Immediately call your gas supplier from a neighbor's phone. Follow the gas supplier's instructions.
 - If you cannot reach your gas supplier, call the fire department.
- Installation and service must be performed by a qualified installer, service agency, or the gas supplier.

WARNING: Improper installation, adjustment, alteration, service, or maintenance can cause injury or property damage. Refer to this manual for correct installation and operational procedures. For assistance or additional information consult a qualified installer, service agency, or the gas supplier.

WARNING: This is an unvented gas-fired heater. It uses air (oxygen) from the room in which it is installed. Provisions for adequate combustion and ventilation air must be provided. Refer to *Air for Combustion and Ventilation* section on page 4 of this manual.

This appliance may be installed in an aftermarket*, permanently located, manufactured (mobile) home, where not prohibited by state or local codes.

This appliance is only for use with the type of gas indicated on the rating plate. This appliance is not convertible for use with other gases.

* Aftermarket: Completion of sale, not for purpose of resale, from the manufacturer

Save this manual for future reference.

UNVENTED PROPANE/LP GAS FIREPLACE

SAFETY INFORMATION

⚠️ WARNINGS

IMPORTANT: Read this owner's manual carefully and completely before trying to assemble, operate, or service this fireplace. Improper use of this fireplace can cause serious injury or death from burns, fire, explosion, electrical shock, and carbon monoxide poisoning.

⚠️ DANGER: Carbon monoxide poisoning may lead to death!

Carbon Monoxide Poisoning: Early signs of carbon monoxide poisoning resemble the flu, with headaches, dizziness, or nausea. If you have these signs, the fireplace may not be working properly. **Get fresh air at once!** Have fireplace serviced. Some people are more affected by carbon monoxide than others. These include pregnant women, people with heart or lung disease or anemia, those under the influence of alcohol, and those at high altitudes.

Propane/LP Gas: Propane/LP gas is odorless. An odor-making agent is added to the gas. The odor helps you detect a gas leak. However, the odor added to the gas can fade. Gas may be present even though no odor exists.

Make certain you read and understand all warnings. Keep this manual for reference. It is your guide to safe and proper operation of this fireplace.

⚠️ WARNING: Any change to this heater or its controls can be dangerous.

⚠️ WARNING: Do not allow fans to blow directly into the fireplace. Avoid any drafts that alter burner flame patterns. Ceiling fans can create drafts that alter burner flame patterns. Altered burner patterns can cause sooting.

⚠️ WARNING: Do not use a blower insert, heat exchanger insert, or other accessory not approved for use with this heater.

Due to high temperatures, the appliance should be located out of traffic and away from furniture and draperies.

Do not place clothing or other flammable material on or near the appliance. Never place any objects on the heater.

Fireplace front and screen becomes very hot when running fireplace. Keep children and adults away from hot surfaces to avoid burns or clothing ignition. Fireplace will remain hot for a time after shutdown. Allow surfaces to cool before touching.

Carefully supervise young children when they are in the room with heater. When using the handheld remote accessory, keep selector switch in the OFF position to prevent children from turning on burners with remote.

You must operate this fireplace with the fireplace screen and hood in place. Make sure fireplace screen and hood are in place before running fireplace.

Keep the appliance area clear and free from combustible materials, gasoline, and other flammable vapors and liquids.

1. This appliance is only for use with the type of gas indicated on the rating plate. This appliance is not convertible for use with other gases.
2. Do not place propane/LP supply tank(s) inside any structure. Locate propane/LP supply tank(s) outdoors.
3. If you smell gas
 - shut off gas supply
 - do not try to light any appliance
 - do not touch any electrical switch; do not use any phone in your building
 - immediately call your gas supplier from a neighbor's phone. Follow the gas supplier's instructions
 - if you cannot reach your gas supplier, call the fire department

4. This fireplace shall not be installed in a bedroom or bathroom.
5. Do not use this fireplace as a wood-burning fireplace. Use only the logs provided with the fireplace.
6. Do not add extra logs or ornaments such as pine cones, vermiculite, or rock wool. Using these added items can cause sooting. Do not add lava rock around base. Rock and debris could fall into the control area of fireplace.
7. This fireplace is designed to be smokeless. If logs ever appear to smoke, turn off fireplace and call a qualified service person. *Note:* During initial operation, slight smoking could occur due to log curing and fireplace burning manufacturing residues.
8. To prevent the creation of soot, follow the instructions in *Cleaning and Maintenance*, page 23.
9. Before using furniture polish, wax, carpet cleaner, or similar products, turn fireplace off. If heated, the vapors from these products may create a white powder residue within burner box or on adjacent walls or furniture.
10. This fireplace needs fresh air ventilation to run properly. This fireplace has an Oxygen Depletion Sensing (ODS) safety shutoff system. The ODS shuts down the fireplace if not enough fresh air is available. See *Air for Combustion and Ventilation*, pages 4 through 6. If fireplace keeps shutting off, see *Troubleshooting*, pages 24 through 26.
11. Do not run fireplace
 - where flammable liquids or vapors are used or stored
 - under dusty conditions
12. Do not use this fireplace to cook food or burn paper or other objects.
13. Do not use fireplace if any part has been exposed to or under water. Immediately call a qualified service technician to inspect the fireplace and to replace any part of the control system and any gas control which has been under water.
14. Do not operate fireplace if any log is broken. Do not operate fireplace if a log is chipped (dime-sized or larger).
15. Turn fireplace off and let cool before servicing. Only a qualified service person should service and repair fireplace.

OWNER'S MANUAL

SAFETY INFORMATION

Continued

16. Operating fireplace above elevations of 4,500 feet could cause pilot outage.
17. To prevent performance problems, do not use propane/LP fuel tanks of less than 100 lbs. capacity.

PRODUCT IDENTIFICATION

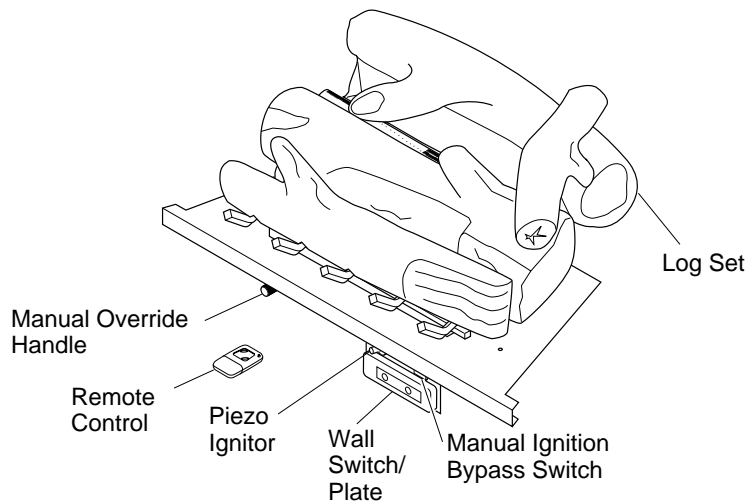


Figure 1 - Fireplace Floor Assembly (EFP33PR Shown)

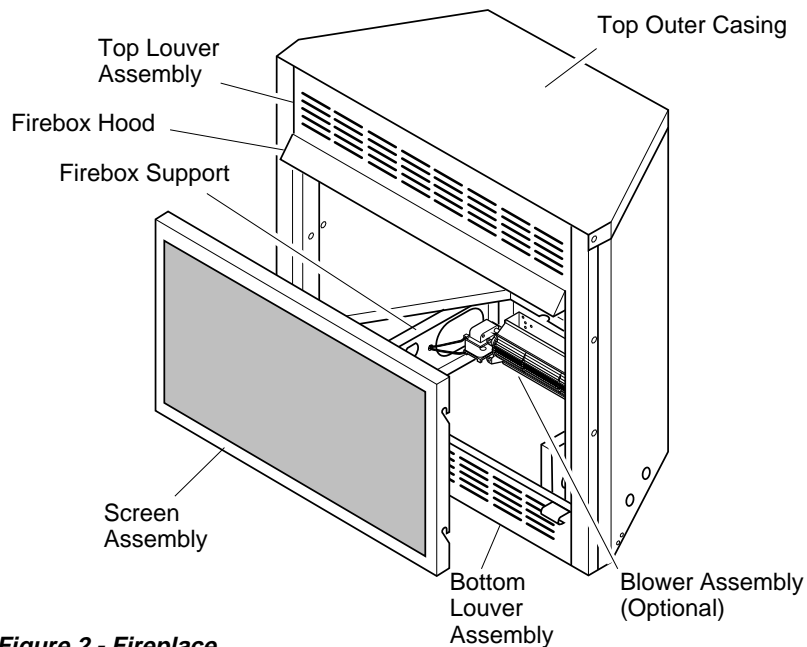


Figure 2 - Fireplace

LOCAL CODES

Install and use fireplace with care. Follow all local codes. In the absence of local codes, use the latest edition of *The National Fuel Gas Code, ANS Z223.1*, also known as NFPA 54*.

*Available from:

American National Standards Institute, Inc.
1430 Broadway
New York, NY 10018

National Fire Protection Association, Inc.
Batterymarch Park
Quincy, MA 02269

UNPACKING

1. With utility knife, cut the carton all the way around above the staples on the bottom tray. Lift the carton off the heater. Remove packing. **Note:** The hood is located in the packing on the right hand side of the fireplace. Lift the fireplace off the bottom tray.
2. Locate two screws above top corners of the fireplace screen. Remove and discard these screws. Lift fireplace screen up and pull out to remove.
3. Remove protective packaging applied to logs, fireplace floor assembly, and fireplace.
4. Check all items for any shipping damage. If damaged, promptly inform dealer where you bought fireplace.

UNVENTED PROPANE/LP GAS FIREPLACE

PRODUCT FEATURES OPERATION

This vent-free fireplace is clean burning. It requires no outside venting. There is no heat loss out a vent or up a chimney. Heat is generated by realistic flames. When used without the blower in "manual ignition" mode, the fireplace requires no electricity to operate, making it ideal for emergency backup heat.

SAFETY DEVICE

This fireplace has a pilot with an Oxygen Depletion Sensing (ODS) safety shutoff system. The ODS/pilot is a required feature for vent-free room heaters. The ODS system shuts off the fireplace if there is not enough fresh air.

PIEZO IGNITION SYSTEM

This fireplace has a piezo ignitor. This system requires no matches, batteries, or other sources to light fireplace. The piezo ignition may be used to light the pilot and burner in the event of an electrical power outage (see *Operating Fireplace*, pages 21 and 22).

BLOWER ASSEMBLY (GA3750 and GA3650T Series)

This fireplace accepts an optional blower assembly. The GA3750 blower has a manual variable control. The GA3650T blower operates thermostatically. The blower circulates heated air from the fireplace into the room. Use of blower is optional. See *Accessories*, page 34.

WIRELESS REMOTE CONTROL

This fireplace features an infra-red wireless remote control. This control system can be used to automatically light the pilot and adjust the burner flame height at the push of a button.

WIRED WALL-MOUNTED REMOTE CONTROL

This fireplace features a two-button wall switch and wall plate with glowing LED's. The wall switch performs the same functions as the wireless hand-held remote control with the added feature of LED's for visual feedback of operation and status.

AIR FOR COMBUSTION AND VENTILATION

⚠ WARNING: This heater shall not be installed in a confined space or unusually tight construction unless provisions are provided for adequate combustion and ventilation air. Read the following instructions to insure proper fresh air for this and other fuel-burning appliances in your home.

Today's homes are built more energy efficient than ever. New materials, increased insulation, and new construction methods help reduce heat loss in homes. Home owners weather strip and caulk around windows and doors to keep the cold air out and the warm air in. During heating months, home owners want their homes as airtight as possible.

While it is good to make your home energy efficient, your home needs to breathe. Fresh air must enter your home. All fuel-burning appliances need fresh air for proper combustion and ventilation.

Exhaust fans, fireplaces, clothes dryers, and fuel burning appliances draw air from the house to operate. You must provide adequate fresh air for these appliances. This will insure proper venting of vented fuel-burning appliances.

PROVIDING ADEQUATE VENTILATION

The following are excerpts from *National Fuel Gas Code, NFPA 54/ANS Z223.1, Section 5.3, Air for Combustion and Ventilation*.

All spaces in homes fall into one of the three following ventilation classifications:

1. Unusually Tight Construction
2. Unconfined Space
3. Confined Space

The information on pages 4 through 6 will help you classify your space and provide adequate ventilation.

Unusually Tight Construction

The air that leaks around doors and windows may provide enough fresh air for combustion and ventilation. However, in

buildings of unusually tight construction, you must provide additional fresh air.

Unusually tight construction is defined as construction where:

- a. walls and ceilings exposed to the outside atmosphere have a continuous water vapor retarder with a rating of one perm (6×10^{-11} kg per pa-sec- m^2) or less with openings gasketed or sealed *and*
- b. weather stripping has been added on openable windows and doors *and*
- c. caulking or sealants are applied to areas such as joints around window and door frames, between sole plates and floors, between wall-ceiling joints, between wall panels, at penetrations for plumbing, electrical, and gas lines, and at other openings.

If your home meets all of the three criteria above, you must provide additional fresh air. See *Ventilation Air From Outdoors*, page 6.

If your home does not meet all of the three criteria above, proceed to *Determining Fresh-Air Flow for Fireplace Location* on page 5.

Confined Space and Unconfined Space

The *National Fuel Gas Code, ANS Z223.1* defines a confined space as a space whose volume is less than 50 cubic feet per 1,000 Btu per hour (4.8 m^3 per kw) of the aggregate input rating of all appliances installed in that space and an unconfined space as a space whose volume is not less than 50 cubic feet per 1,000 Btu per hour (4.8 m^3 per kw) of the aggregate input rating of all appliances installed in that space. Rooms communicating directly with the space in which the appliances are installed*, through openings not furnished with doors, are considered a part of the unconfined space.

This heater shall not be installed in a confined space of unusually tight construction unless provisions are provided for adequate combustion and ventilation air.

* Adjoining rooms are communicating only if there are doorless passageways or ventilation grills between them.

AIR FOR COMBUSTION AND VENTILATION

Continued

DETERMINING FRESH-AIR FLOW FOR FIREPLACE LOCATION

Determining if You Have a Confined or Unconfined Space

Use this work sheet to determine if you have a confined or unconfined space.

Space: Includes the room in which you will install fireplace plus any adjoining rooms with doorless passageways or ventilation grills between the rooms.

1. Determine the volume of the space (length x width x height).

Length x Width x Height = _____ cu. ft. (volume of space)

Example: Space size 22 ft. (length) x 18 ft. (width) x 8 ft. (ceiling height) = 3168 cu. ft. (volume of space)

If additional ventilation to adjoining room is supplied with grills or openings, add the volume of these rooms to the total volume of the space.

2. Divide the space volume by 50 cubic feet to determine the maximum Btu/Hr the space can support.

_____ (volume of space) ÷ 50 cu. ft. = (Maximum Btu/Hr the space can support)

Example: 3168 cu. ft. (volume of space) ÷ 50 cu. ft. = 63.3 or 63,300 (maximum Btu/Hr the space can support)

3. Add the Btu/Hr of all fuel burning appliances in the space.

Vent-free fireplace _____ Btu/Hr

Gas water heater* _____ Btu/Hr

Gas furnace _____ Btu/Hr

Vented gas heater _____ Btu/Hr

Gas fireplace logs _____ Btu/Hr

Other gas appliances* + _____ Btu/Hr

Total = _____ Btu/Hr

Example:

Gas water heater 40,000 Btu/Hr

Vent-free fireplace + 33,000 Btu/Hr

Total = 73,000 Btu/Hr

* Do not include direct-vent gas appliances. Direct-vent draws combustion air from the outdoors and vents to the outdoors.

4. Compare the maximum Btu/Hr the space can support with the actual amount of Btu/Hr used.

_____ Btu/Hr (maximum the space can support)

_____ Btu/Hr (actual amount of Btu/Hr used)

Example: 63,300 Btu/Hr (maximum the space can support)

73,000 Btu/Hr (actual amount of Btu/Hr used)

The space in the above example is a confined space because the actual Btu/Hr used is more than the maximum Btu/Hr the space can support. You must provide additional fresh air. Your options are as follows:

- A. Rework work sheet, adding the space of an adjoining room. If the extra space provides an unconfined space, remove door to adjoining room or add ventilation grills between rooms. See *Ventilation Air from Inside Building*, page 6.
- B. Vent room directly to the outdoors. See *Ventilation Air from Outdoors*, page 6.
- C. Install a lower Btu/Hr fireplace, if lower Btu/Hr size makes room unconfined.

If the actual Btu/Hr used is less than the maximum Btu/Hr the space can support, the space is an unconfined space. You will need no additional fresh air ventilation.

⚠ WARNING: If the area in which the heater may be operated is smaller than that defined as an unconfined space or if the building is of unusually tight construction, provide adequate combustion and ventilation air by one of the methods described in the *National Fuel Gas Code, ANS Z223.1, Section 5.3* or applicable local codes.

Continued

UNVENTED PROPANE/LP GAS FIREPLACE

AIR FOR COMBUSTION AND VENTILATION

Continued

VENTILATION AIR

Ventilation Air From Inside Building

This fresh air would come from an adjoining unconfined space. When ventilating to an adjoining unconfined space, you must provide two permanent openings: one within 12" of the ceiling and one within 12" of the floor on the wall connecting the two spaces (see options 1 and 2, Figure 3). You can also remove door into adjoining room (see option 3, Figure 3). Follow the *National Fuel Gas Code NFPA 54/ANS Z223.1, Section 5.3, Air for Combustion and Ventilation* for required size of ventilation grills or ducts.

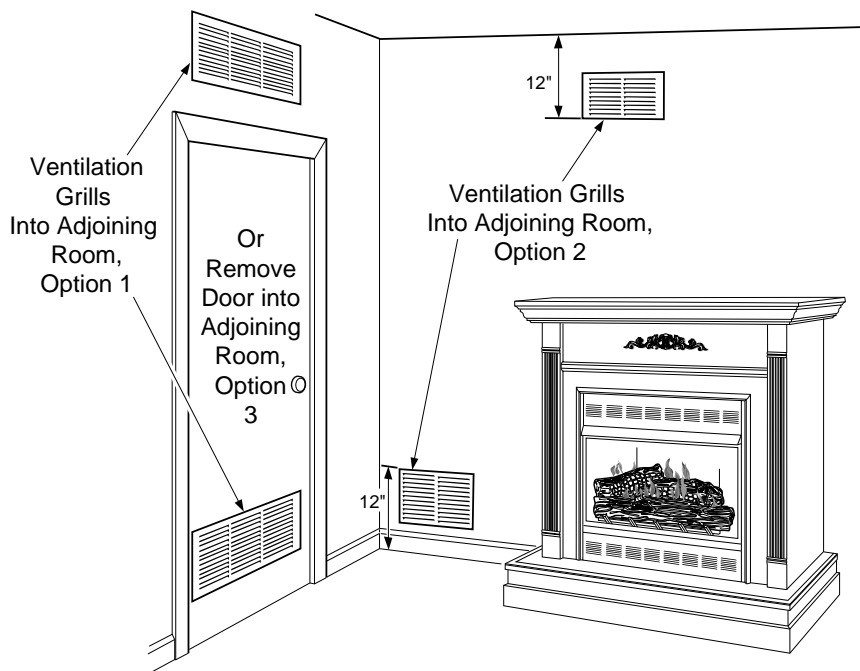


Figure 3 - Ventilation Air from Inside Building

⚠ WARNING: Rework worksheet, adding the space of the adjoining unconfined space. The combined spaces must have enough fresh air to supply all appliances in both spaces.

Ventilation Air From Outdoors

Provide extra fresh air by using ventilation grills or ducts. You must provide two permanent openings: one within 12" of the ceiling and one within 12" of the floor. Connect these items directly to the outdoors or spaces open to the outdoors. These spaces include attics and crawl spaces. Follow the *National Fuel Gas Code NFPA 54/ANS Z223.1, Section 5.3, Air for Combustion and Ventilation* for required size of ventilation grills or ducts.

IMPORTANT: Do not provide openings for inlet or outlet air into attic if attic has a thermostat-controlled power vent. Heated air entering the attic will activate the power vent.

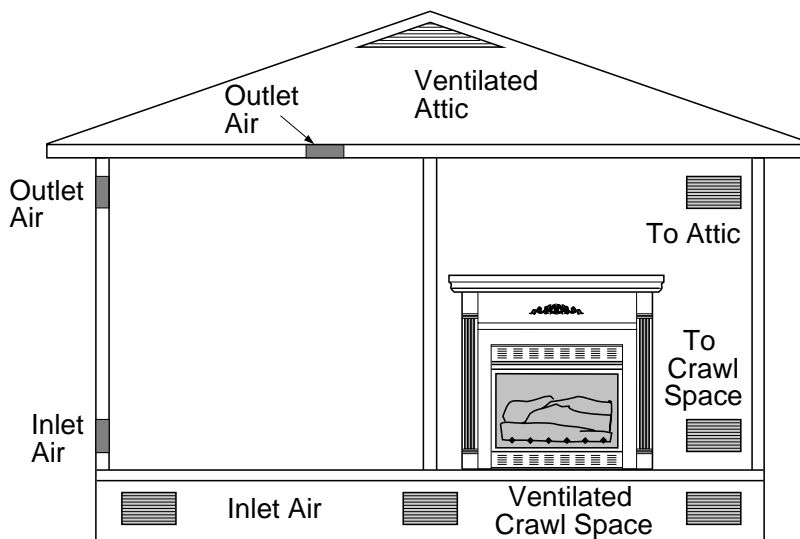


Figure 4 - Ventilation Air from Outdoors

OWNER'S MANUAL

INSTALLATION

NOTICE: This heater is intended for use as supplemental heat. Use this heater along with your primary heating system. Do not install this heater as your primary heat source. If you have a central heating system, you may run system's circulating blower while using heater. This will help circulate the heat throughout the house. In the event of a power outage, you can use this heater as your primary heat source.

WARNING: A qualified service person must install fireplace. Follow all local codes.

WARNING: Never install the fireplace

- in a bedroom or bathroom
- in a recreational vehicle
- where curtains, furniture, clothing, or other flammable objects are less than 42 inches from the front, top, or sides of the fireplace
- in high traffic areas
- in windy or drafty areas

CAUTION: This fireplace creates warm air currents. These currents move heat to wall surfaces next to fireplace. Installing fireplace next to vinyl or cloth wall coverings or operating fireplace where impurities (such as tobacco smoke, aromatic candles, cleaning fluids, oil or kerosene lamps, etc.) in the air exist, may discolor walls.

Note: Your Comfort Glow fireplace is designed to be used in zero clearance installations. Wall or framing material can be placed directly against any exterior surface on the rear, sides, or top of your fireplace, except where standoff spacers are integrally attached. If standoff spacers are attached to your fireplace, these spacers can be placed directly against wall or framing materials.

Use the dimensions shown for rough openings to create the easiest installation (see *Built-In Fireplace Installation*, pages 17 and 18).

IMPORTANT: Vent-free heaters add moisture to the air. Although this is beneficial, installing fireplace in rooms without enough ventilation air may cause mildew to form from too much moisture. See *Air for Combustion and Ventilation*, pages 4 through 6.

IMPORTANT: Make sure the fireplace is level. If fireplace is not level, log set will not work properly.

CHECK GAS TYPE

Use only propane/LP gas. If your gas supply is not propane/LP gas, do not install fireplace. Call dealer where you bought fireplace for proper type fireplace.

ELECTRICAL HOOKUP

This fireplace normally operates under 120 VAC/60 Hz line voltage. The electrical cord supplied with your fireplace is five feet in length. You must locate fireplace within reach of a 120 volt grounded electrical outlet. If not, you must install an electrical outlet within reach of the fireplace power cord. The GA3555 outlet accessory may be used for built-in applications.

INSTALLATION CLEARANCES

WARNING: Maintain the minimum clearances. If you can, provide greater clearances from floor, ceiling, and adjoining wall.

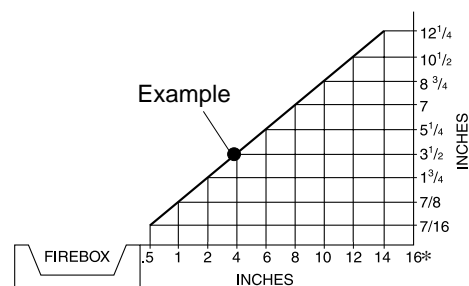
Carefully follow the instructions below. This will ensure safe installation.

Minimum Clearances For Side Combustible Material, Side Wall, and Ceiling

A. Clearances from the side of the fireplace cabinet to any combustible material and wall should follow diagram in Figure 5.

Example: The face of a mantel, bookshelf, etc. is made of combustible material and protrudes 3 1/2" from the wall. This combustible material must be 4" from the side of the fireplace cabinet (see Figure 5).

B. Clearances from the top of the fireplace opening to the ceiling should not be less than 42 inches.



*Minimum 16 inches from Side Wall

Figure 5 - Minimum Clearance for Combustible to Wall

UNVENTED PROPANE/LP GAS FIREPLACE

INSTALLATION

Continued

INSTALLATION SEQUENCE

After unpacking fireplace (see *UNPACKING*, page 3), we suggest that you install your fireplace system in the following sequence:

1. Removal of fireplace floor assembly (required)
2. Electrical connections for power cord (required)
3. Relocating wall switch (optional)
4. Installing blower accessory (optional)
5. Connecting fireplace to gas supply (required)
6. Checking gas connections (required)
7. Firebox installation, conventional or built-in (required)
8. Installing brass perimeter trim (optional)
9. Installing fireplace hood (required)
10. Installing logs (required)
11. Installing fireplace screen (required)

Use the following instructions to complete each step.

REMOVAL OF FIREPLACE SCREEN AND FLOOR ASSEMBLY

NOTICE: Shut-off gas supply and disconnect heater from gas supply if installing blower into previously installed fireplace. Contact a qualified service person to do this.

1. Remove fireplace screen. Remove two screws that hold fireplace screen in place for shipping. These screws are located near top of screen. Discard screws. Lift fireplace screen up and pull out to remove.
2. If logs are installed, carefully remove the logs and set aside, noting the properly mounted location of each.
3. Remove screws that attach fireplace floor assembly to fireplace. Open lower louver door. Carefully lift up fireplace floor assembly and remove from fireplace, taking care to pull flexible gas line through the access holes (see Figure 6). *Note:* Be careful of all wires on underside of log base.

CAUTION: Do not pick up fireplace floor assembly by burners. This could damage burners. Only handle base by grates.

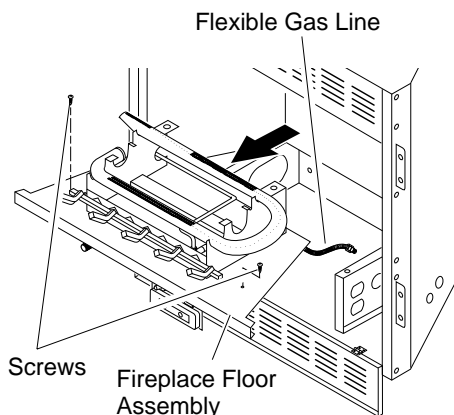


Figure 6 - Removing Fireplace Floor Assembly

ELECTRICAL CONNECTIONS FOR POWER CORD

This fireplace operates on 120 VAC, 60 Hz power. An electrical power cord is supplied with this unit.

For Mantel Installation

1. Determine from which side of the fireplace the power cord will exit. Locate the 1.5" diameter hole near the center of floor support bracket on appropriate side of lower cavity (see Figure 7).
2. Locate power cord. Remove wire tie or tape holding plug end of power cord.
3. Power cord has 2 plastic hole bushings threaded onto it. Route cord's 3-prong plug through the 1.5" diameter hole in appropriate floor support bracket.
4. Push first plastic bushing completely through hole. Squeeze bushing as needed to do this.
5. Install the second plastic bushing into the hole in the floor support bracket by snapping into place.
6. Route the 3-prong plug through the 1.5" hole in fireplace outer casing.
7. Install the first plastic bushing into this hole by snapping into place.

8. After you have connected to gas supply and checked your gas connections (see pages 14 and 15), plug power cord into any convenient 3-prong grounded wall receptacle near fireplace.

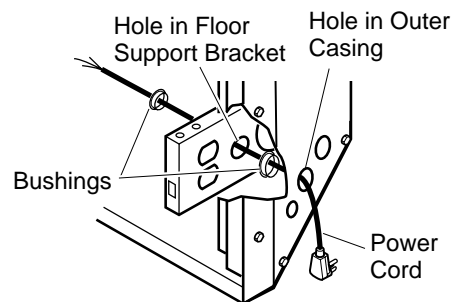


Figure 7 - Routing Power Cord

For Recessed Installation

If an outlet is not installed in fireplace, install model GA3555 - Outlet Kit with Cover. This kit will supply a convenient 3-prong grounded electrical outlet for power. Refer to installation manual provided with this optional accessory for instructions on wiring. *Note:* A qualified installer must make all electrical connections.

RELOCATING WALL SWITCH

Note: The decorative wall switch plate supplied is white. The wall switch plate may be painted to match your decor.

The push-button switch and decorative wall plate assembly supplied with your fireplace is pre-mounted at the factory in the lower cavity of the fireplace. You may relocate this switch/plate assembly to a more convenient location such as the side of your mantel or directly onto the wall near the fireplace. To mount the wall switch/plate assembly, you must first cut openings in the mantel or wall where the switch will be located.

Note: If you choose to relocate the wall switch, do so before final installation into a mantel or recessing into a wall. If you are installing an optional blower accessory, install it at the same time you relocate the wall switch.

INSTALLATION

Continued

CAUTION: The wall switch must never be mounted directly above the fireplace where heat may damage it. If you relocate wall switch from lower fireplace cavity, it must be mounted either on side wall of mantel or on wall to side of fireplace.

For Recessed Installation

If fireplace is to be recessed into a wall (see *Built-In Fireplace Installation*, pages 17 and 18), we recommend mounting wall switch to left side of fireplace. The wall switch should be mounted approximately 12" from left edge of fireplace, and less than 60" from the floor. **IMPORTANT:** Do not locate wall switch directly in front of wall stud - there must be room behind wall board for wires from switch. If you choose to locate wall switch to right side of fireplace, the length of the cord restricts you to less than 6" from right edge of fireplace and less than 48" from floor.

For Mantel Installation

If fireplace is to be installed into a mantel, (see *Conventional Fireplace Installation*, pages 16 and 17) the wall switch may be mounted on either side of the mantel, facing to the side. Do not locate wall switch anywhere on the front face of the mantel.

CAUTION: Be careful of gas lines and wiring when moving floor.

1. Determine the new location for the wall switch. The wires attached to switch are six feet long.
2. Remove 2 screws securing plastic wall plate to bracket in fireplace lower cavity. Save screws.
3. Remove wire tie holding coiled wire attached to wall switch (see Figure 8).
4. Remove wall switch/plate assembly from bracket.

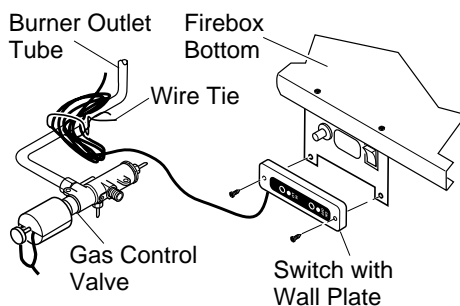


Figure 8 - Relocating Switch and Wall Plate

5. Carefully pass wall plate and cord through large elongated hole in rear of either left or right floor support bracket, depending on desired location of switch. Pass wall plate and cord through 1.5" diameter hole in side of fireplace outer casing (see Figure 9).
6. Pull wall plate and cord from fireplace making sure wall switch/plate assembly will reach desired mounting location without straining cord assembly.

CAUTION: Do not apply excessive pull on cord.

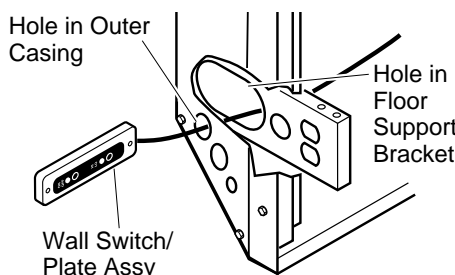


Figure 9 - Routing Wall Switch/Plate Through Fireplace for Relocation

Mounting Wall Switch to Wall for Recessed Fireplace

7. Create three openings on wall according to *Template 1*, page 35. This is best done by making a pattern to work with on your wall. Carefully cut page 35/36 from manual and tape paper template vertically onto wall at preferred location. Pierce the paper at the centers of the 2 holes with a nail or sharp pencil, leaving a mark on the wall. Do the same at centers of the four circles near the corners of the rectangle.
8. Remove paper template from wall.
9. Drill 3/8" holes at each mark.

10. Using a straight edge and pencil, connect the outer edges of the 4 holes for the rectangle (see Figure 10). This will give you cutting lines for the rectangle you will cut in the wall.
11. Using a keyhole saw, hack saw blade, drill, file, or other suitable tool, carefully cut out the rectangular opening. **Note:** The corners of the rectangle may be round. **IMPORTANT:** Do not exceed the size of the rectangle on template.
12. From inside the recessed opening for the fireplace, carefully pass switch/plate assembly through the rectangular opening to the outside of the wall.
13. Using wall anchors supplied in hardware package, fold wall anchor as shown in Figure 11.
14. Insert wall anchor, wings first, into hole. Tap anchor flush to wall.
15. For thin walls (1/2" or less), insert red key into wall anchor. Push red key to "pop" open anchor wings. See Figure 14. **IMPORTANT:** Do not hammer key! For thick walls (over 1/2" thick), do not pop open wings.

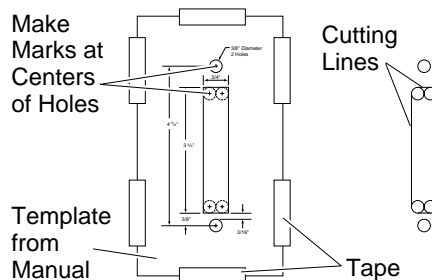


Figure 10 - Using Template for Wall Switch Installation

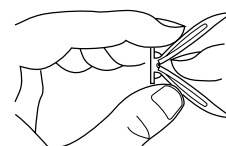


Figure 11 - Folding Anchor

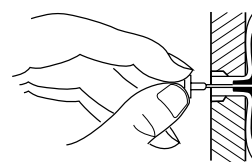


Figure 12 - Popping Open Anchor Wings for Thin Walls

Continued

UNVENTED PROPANE/LP GAS FIREPLACE

INSTALLATION

Continued

16. Position switch/plate assembly vertically over wall openings with decal lettering upright (see Figure 13).
17. Insert mounting screws, removed in step 2 of *Relocating Wall Switch* on page 9, through holes in wall plate and into wall anchors.
18. Tighten screws until wall plate is firmly attached to wall. Do not overtighten.

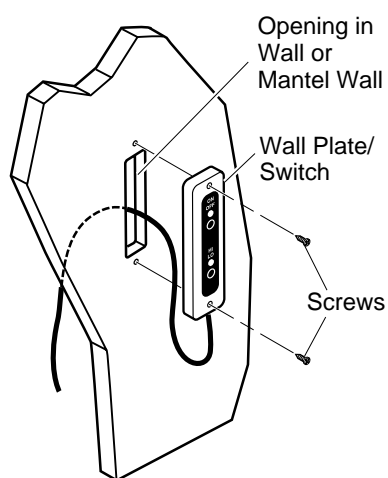


Figure 13 - Securing Wall Switch

Mounting Wall Switch to Side of Mantel

7. Create three openings in the mantel wall according to *Template 2*, page 35. This is best done by making a pattern to work with on the mantel. Carefully cut page 35/36 from manual and tape paper template vertically onto mantel wall at preferred location. Pierce the paper at the centers of the 2 holes with a nail or sharp pencil, leaving a mark on the wall. Do the same at centers of the four circles near the corners of the rectangle.
8. Remove paper template from mantel wall.
9. Drill 1/8" pilot holes at each mark for top and bottom screw holes. Drill 3/8" holes at each mark for centers of four circles near corners of rectangle.

10. Using a straight edge and pencil, connect the outer edges of the 4 holes for the rectangle (see Figure 10, page 9). This will give you cutting lines for the rectangle you will cut in the mantel wall.
11. Using a keyhole saw, hack saw blade, drill, file, or other suitable tool, carefully cut out the rectangular opening. **Note:** The corners of the rectangle may be round. **IMPORTANT:** Do not exceed the size of the rectangle on template.
12. Carefully pass switch/plate assembly through rectangular opening from inside mantel (see Figure 13).
13. Position switch/plate assembly vertically over opening with decal lettering upright. Make sure wires freely pass through wall without binding. Align holes in wall plate with 1/8" pilot holes in mantel wall.
14. Drive mounting screws, removed in step 2 of *Relocating Wall Switch* on page 9, through wall plate holes and into pilot holes in mantel wall.
15. Tighten screws until wall plate is firmly attached to mantel. Do not overtighten.

INSTALLING VARIABLE SPEED BLOWER ACCESSORY

NOTICE: Shut-off gas supply and disconnect heater from gas supply if installing blower into previously installed fireplace. Contact a qualified service person to do this.

1. If fireplace screen and floor are still installed, see *Removing Fireplace Screen and Floor Assembly*, page 8.
2. Attach the power cord to the blower motor by firmly pushing the two female terminals at the end of the power cord onto the two spade terminals on the blower motor.
3. Attach green ground wire from power cord to blower housing using screw provided (see Figure 14). Tighten screws securely.
4. Place the blower against lower rear wall of firebox outer wrapper with the exhaust port directed upward. Align the holes in top mounting tabs of blower with holes in wall of wrapper (see Figure 14). Using 2 screws provided, mount blower and tighten screws securely.

5. Be certain that all wire terminals are securely attached to terminals on blower motor and that the screw retaining the green ground wire is tight.
6. Place control knob provided on plastic control shaft of speed control.
7. Mount the speed control on the front leg of the left floor support bracket using 2 screws provided (see Figure 15).

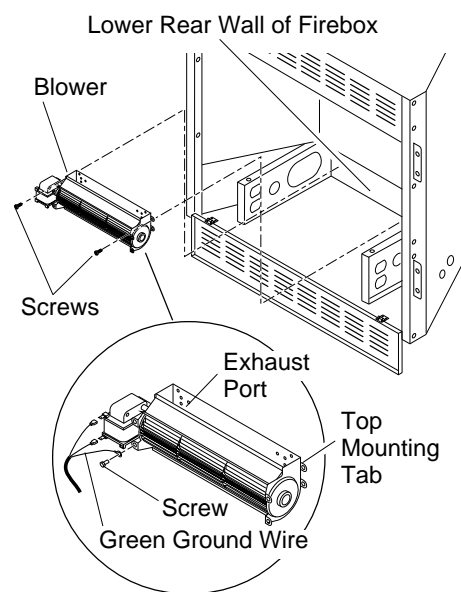


Figure 14 - Mounting Blower to Firebox

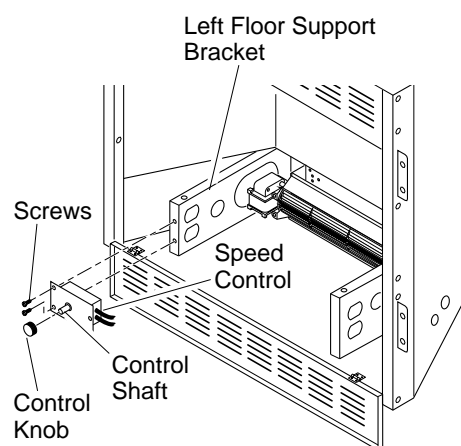


Figure 15 - Attaching Speed Control to Firebox

OWNER'S MANUAL

INSTALLATION

Continued

8. Plug in blower power cord.
 - a. **If your fireplace system is installed as a freestanding unit with an accessory mantel**, determine whether the power cord will exit the left side or the right side of the firebox. Install 1 plastic bushing provided into the 1.5" hole in the floor support bracket on the exit side (see Figure 16). Install the second plastic bushing provided into the 1.5" hole in the outer casing through which the power cord will exit. Route power cord through both plastic bushings and plug the power cord into a properly grounded 3-prong wall receptacle near the firebox.
 - b. **If your fireplace system installation is recessed and if an outlet is not installed in your fireplace**, you must install the GA3555 Outlet kit with cover in your fireplace which will supply a convenient 3-prong grounded electrical outlet for your blower. Refer to the installation manual provided with the model GA3555 accessory for instructions on wiring the duplex outlet. **Note:** A qualified installer must make all electrical connections.

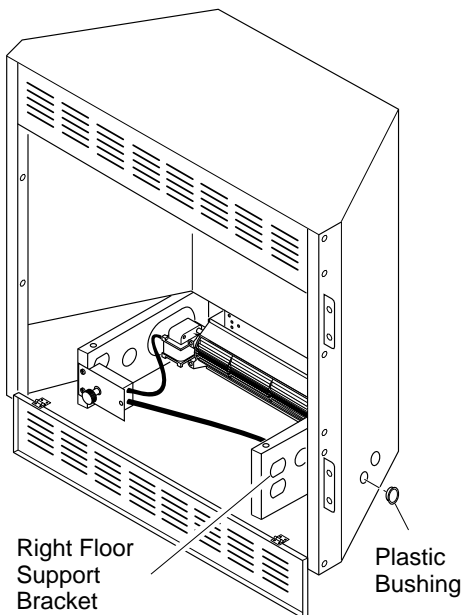


Figure 16 - Installing Plastic Bushing for Power Cord

9. Check to make sure that all electrical cords are completely clear of the blower wheel and that there are no other foreign objects in blower wheel. Turn blower on and check for operation. Turn blower off by rotating knob fully counterclockwise before continuing.

WARNING: Never touch the blower wheel while in operation.

10. Peel off backing paper and stick supplied wiring diagram decal near center of firebox bottom (Figure 17).
11. If gas connections have been made and checked, replace fireplace floor assembly. Feed flexible gas supply line into fireplace base area while replacing fireplace floor assembly. Make sure the entire flexible gas line is in fireplace base area. **IMPORTANT:** Do not pick up fireplace floor assembly by burners. This could damage burners. Only handle base by grates. **Note:** Be careful of all wires and components on underside of floor assembly.
12. Reattach fireplace floor assembly with screws removed in step 3 of *Removing Fireplace Screen and Floor Assembly*, page 8. **Note:** Discard the remaining hardware items. After assembly, make sure all wires are completely clear of blower wheel.

13. Install logs (see *Installing Logs*, pages 19 and 20) and fireplace screen (see *Installing Fireplace Screen*, page 20).

WARNING: Failure to position the parts in accordance with supplied diagrams or failure to use only parts specifically approved with this heater may result in damage or personal injury.

WARNING: A qualified service person must connect fireplace to gas supply. Follow all local codes.

Operating the Blower

Light your gas appliance with the blower off. After about 15 minutes, turn the blower on to deliver heated air at the top louvers. The blower features a variable control which allows you to select the speed you desire. **Note:** Periodically check the louvers of the firebox and remove any dust, dirt, or other obstructions.

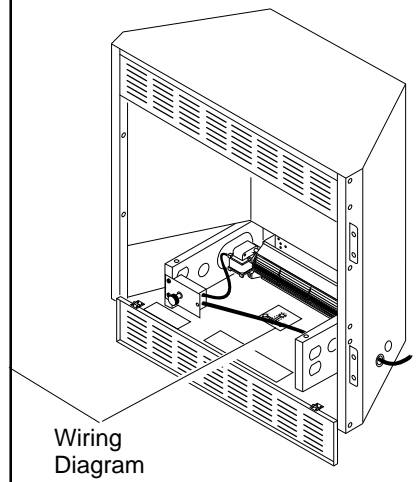
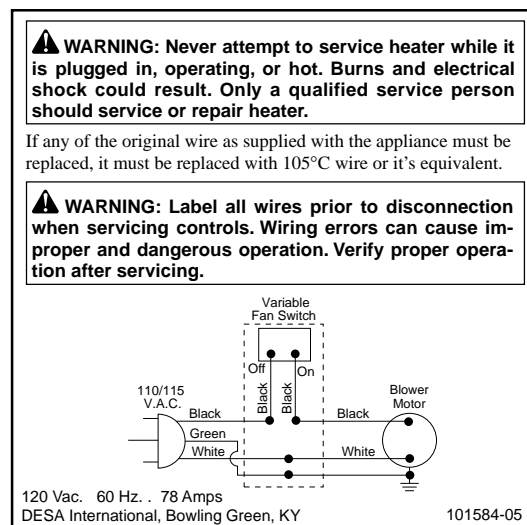


Figure 17 - Location of Wiring Diagram Decal 3" from Blower

Continued

UNVENTED PROPANE/LP GAS FIREPLACE

INSTALLATION

Continued

INSTALLING THERMOSTATIC BLOWER ACCESSORY

NOTICE: Shut-off gas supply and disconnect heater from gas supply if installing blower in previously installed fireplace. Contact a qualified service person to do this.

1. If fireplace screen and floor are still installed, see *Removing Fireplace Screen and Floor Assembly*, page 8.
2. Using screw provided, attach green ground wire from speed control cord to blower housing. Tighten screw securely (see Figure 18).
3. Place the blower against lower rear wall of firebox outer wrapper with the exhaust port directed upward. Align the holes in top mounting tabs of blower with holes in wall of wrapper (see Figure 19). Using two #8 screws provided, mount blower and tighten screws firmly.

Thermostatic Switch and Cover Assembly

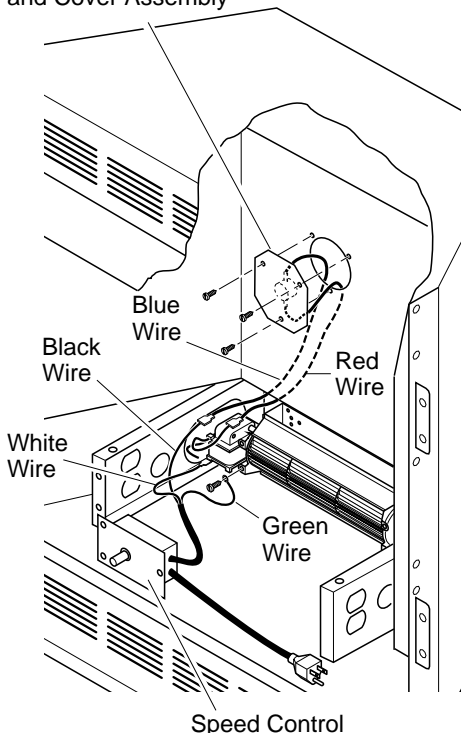


Figure 18 - Installing Switch and Cover Assembly, and Speed Control

4. Remove the three screws (do not discard) and cover plate from center of firebox wrapper rear wall. Discard this cover plate (see Figure 18).
5. Mount the supplied thermostatic switch and cover assembly into firebox wrapper rear wall. Do this by feeding terminal ends of wire harness into the hole. Allow wires to fall to bottom of firebox cavity (see Figure 18).
6. Using three screws from step 7, attach switch and cover assembly to firebox wrapper rear wall. Tighten screws firmly (see Figure 18).
7. Firmly attach red wire from the thermostatic switch and cover assembly to either of the terminals on the blower motor (see Figure 18).
8. Firmly attach black wire from speed control cord to blue wire from thermostatic switch and cover assembly (see Figure 18).
9. Firmly attach white wire from speed control cord to remaining terminal on blower motor (see Figure 18).
10. Place control knob provided on plastic control shaft of speed control (see Figure 20).

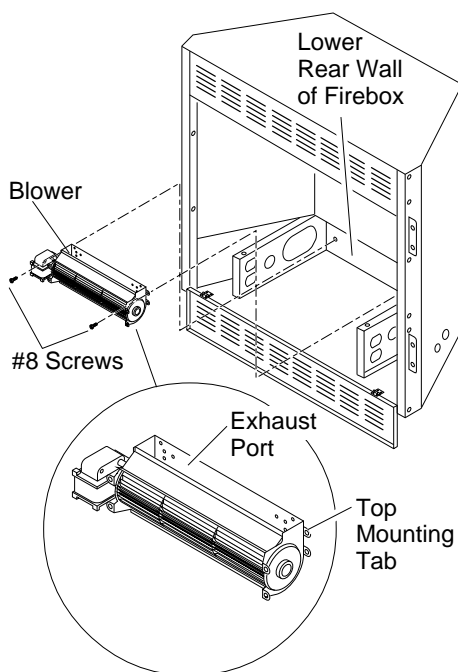


Figure 19 - Mounting Blower to Firebox

11. Mount the speed control onto the front leg of the left floor support bracket using 2 screws provided (see Figure 20).

⚠ WARNING: Failure to connect all wires properly as indicated may cause electrical short circuit or personal injury. A qualified electrician should check that all connections are made properly.

12. Plug in blower power cord.
 - a. If your firebox is installed as a free-standing unit with an accessory mantel, determine whether the power cord will exit the left side or the right side of the firebox. Install one plastic bushing provided into the 1 1/2" hole in the floor support on the exit side. Install the second bushing provided into the 1 1/2" hole in the outer casing through which the power cord will exit (see Figures 21 and 22, page 13). Route power cord through plastic bushings and plug the power cord into a properly grounded three-prong wall receptacle near the firebox.
 - b. If your fireplace system installation is recessed and if an outlet is not installed in your fireplace, you must install the GA3555 Outlet kit with cover in your fireplace which will supply a convenient 3-prong grounded electrical outlet for your blower. Refer to the installation manual provided with the model GA3555 accessory for instructions on wiring the duplex outlet.

Note: A qualified installer must make all electrical connections.

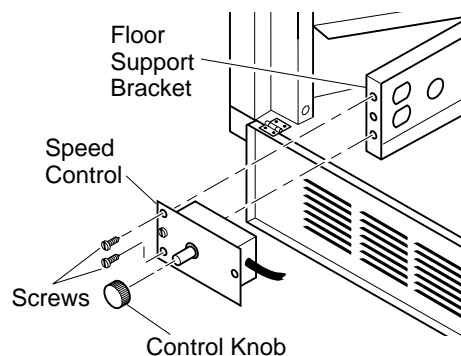


Figure 20 - Attaching Speed Control

OWNER'S MANUAL

INSTALLATION

Continued

13. Check to make sure that the power cord and all wires are completely clear of the blower wheel and that there are no other foreign objects in blower wheel.

⚠ WARNING: Never touch the blower wheel while in operation.

14. Peel off backing paper and stick supplied wiring diagram decal near center of firebox bottom (see Figure 23).

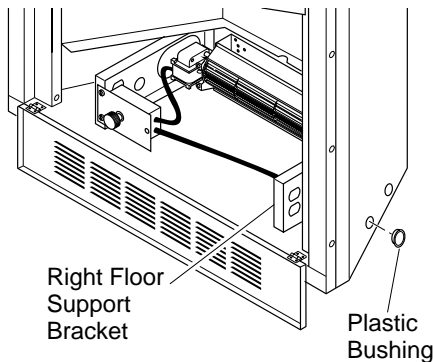


Figure 21 - Installing Plastic Bushing for Power Cord (Right Side Exit Shown)

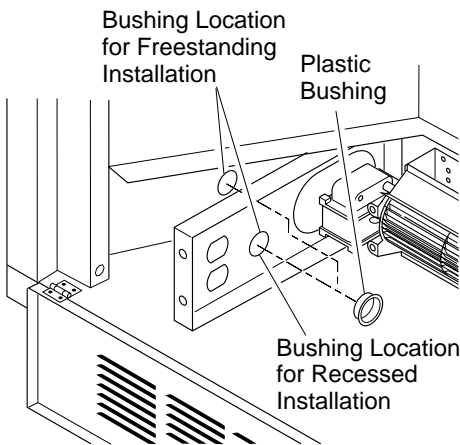


Figure 22 - Installing Bushings (Left Side Exit shown)

15. If gas connections have been made and checked, replace fireplace floor assembly in fireplace. Feed flexible gas supply line into fireplace base area while replacing fireplace floor assembly. Make sure the entire flexible gas line is in fireplace base area. **IMPORTANT:** Do not pick up fireplace floor assembly by burners. This could damage burners. Only handle base by grates. **Note:** Be careful of all wires and components on underside of floor assembly.
16. Reattach fireplace floor assembly with screws removed in step 3 of *Removing Fireplace Screen and Floor Assembly*, page 8. **Note:** Discard the remaining hardware items. After assembly, make sure all wires are completely clear of blower wheel.
17. Install logs (see *Installing Logs*, pages 19 and 20) and fireplace screen (see *Installing Fireplace Screen*, page 20).

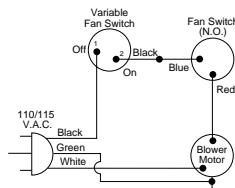
⚠ WARNING: Failure to position the parts in accordance with supplied diagrams or failure to use only parts specifically approved with this heater may result in damage or personal injury.

⚠ WARNING: A qualified service person must connect fireplace to gas supply. Follow all local codes.

⚠ WARNING: Never attempt to service heater while it is plugged in, operating, or hot. Burns and electrical shock could result. Only a qualified service person should service or repair heater.

If any of the original wire as supplied with the appliance must be replaced, it must be replaced with 105°C wire or it's equivalent.

⚠ WARNING: Label all wires prior to disconnection when servicing controls. Wiring errors can cause improper and dangerous operation. Verify proper operation after servicing.



120 Vac. 60 Hz. .90 Amps
DESA International, Bowling Green, KY

If any of the original wire as supplied with the appliance must be replaced, it must be replaced with 105°C wire or it's equivalent.

Operating the Blower

After final installation of your fireplace, light your gas appliance with the blower off. After about 15 minutes, turn the blower on to deliver heated air at the top louvers. The blower features a variable control which allows you to select the speed you desire. In the OFF position, the blower will not operate. In the ON position, the blower will start when the thermostat senses a sufficient increase in firebox temperature (approximately 10 to 20 minutes depending on heat setting).

Your gas logs and thermostat blower will not turn on and off at the same time. The fireplace may run for several minutes before the blower turns on. After the heater modulates to the pilot position, the blower will continue to run. The blower will shut off after the firebox temperature decreases.

It is safe to operate fireplace with blower turned off. However, the blower helps distribute heated air from the fireplace.

Note: Periodically check the louvers of the firebox and remove any dust, dirt, or other obstructions.

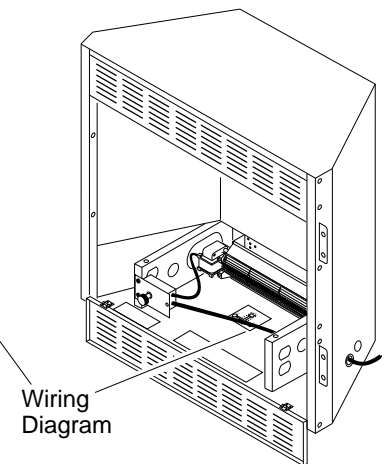


Figure 23 - Location of Wiring Diagram Decal 3" from Blower

Continued

UNVENTED PROPANE/LP GAS FIREPLACE

INSTALLATION

Continued

INSTALLING GAS PIPING TO FIREPLACE LOCATION

⚠ WARNING: A qualified service person must connect fireplace to gas supply. Follow all local codes.

⚠ CAUTION: Never connect fireplace directly to the propane/LP supply. This fireplace requires an external regulator (not supplied). Install the external regulator between the fireplace and propane/LP supply.

Installation Items Needed

Before installing fireplace, make sure you have the items listed below.

- external regulator (supplied by installer)
- piping (check local codes)
- sealant (resistant to propane/LP gas)
- equipment shutoff valve *
- test gauge connection *
- sediment trap
- tee joint
- pipe wrench
- approved flexible gas line with gas connector (if allowed by local codes) (not provided)

* A CSA design-certified equipment shutoff valve with 1/8" NPT tap is an acceptable alternative to test gauge connection. Purchase the optional CSA design-certified equipment shutoff valve from your dealer. See *Accessories*, page 34.

The installer must supply an external regulator. The external regulator will reduce incoming gas pressure. You must reduce incoming gas pressure to between 11 and 14 inches of water. If you do not reduce incoming gas pressure, heater regulator damage could occur. Install external regulator with the vent pointing down as shown in Figure 24. Pointing the vent down protects it from freezing rain or sleet.

⚠ CAUTION: Use only new, black iron or steel pipe. Internally-tinned copper tubing may be used in certain areas. Check your local codes. Use pipe of 1/2" diameter or greater to allow proper gas volume to fireplace. If pipe is too small, undue loss of pressure will occur.

Installation must include an equipment shutoff valve, union, and plugged 1/8" NPT tap. Locate NPT tap within reach for test gauge hook up. NPT tap must be upstream from fireplace (see Figure 25).

IMPORTANT: Install equipment shutoff valve in an accessible location. The equipment shutoff valve is for turning on or shutting off the gas to the appliance.

Check your building codes for any special requirements for locating equipment shutoff valve to fireplaces.

Apply pipe joint sealant lightly to male threads. This will prevent excess sealant from going into pipe. Excess sealant in pipe could result in clogged fireplace valves.

⚠ CAUTION: Use pipe joint sealant that is resistant to liquid petroleum (LP) gas.

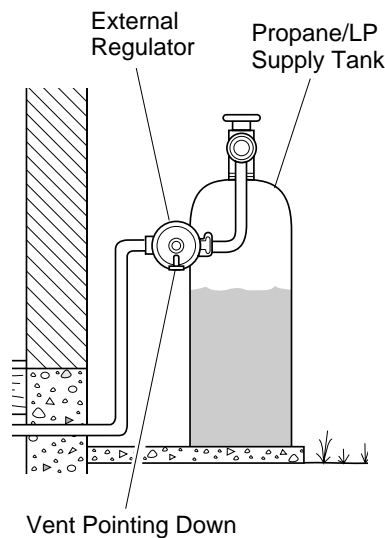


Figure 24 - External Regulator with Vent Pointing Down

We recommend that you install a sediment trap in supply line as shown in Figure 25. Locate sediment trap where it is within reach for cleaning. Install in piping system between fuel supply and fireplace. Locate sediment trap where trapped matter is not likely to freeze. A sediment trap traps moisture and contaminants. This keeps them from going into fireplace gas controls. If sediment trap is not installed or is installed wrong, fireplace may not run properly.

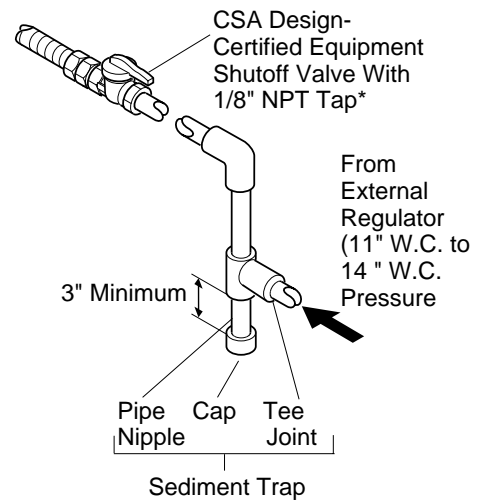


Figure 25 - Gas Connection

* Purchase the optional CSA design-certified equipment shutoff valve from your dealer. See *Accessories*, page 34.

INSTALLATION

Continued

CONNECTING FIREPLACE TO GAS SUPPLY

Installation Items Needed

- 5/16" hex socket wrench or nut-driver
 - Phillips screwdriver
 - sealant (resistant to propane/LP gas, not provided)
1. If fireplace screen and floor are still installed, see *Removing Fireplace Screen and Floor Assembly*, page 8.
 2. Route gas line (provided by installer) from equipment shutoff valve to fireplace. Route flexible gas supply line through one of the access holes.

NOTICE: Most building codes do not permit concealed gas connections. A flexible gas line is provided to allow accessibility from the fireplace (see Figure 26). The flexible gas supply line connection to the equipment shutoff valve should be accessible.

3. Attach the flexible gas line to gas supply (see Figure 26). Check tightness of flexible gas line attached to gas regulator of fireplace (see Figure 26).
4. Check all gas connections for leaks. See *Checking Gas Connections*.
5. Replace log base assembly back into fireplace. Feed flexible gas line into fireplace base area while replacing log base assembly. Make sure the entire flexible gas line is in fireplace base area. Reattach log base assembly to fireplace with screws removed in step 2.

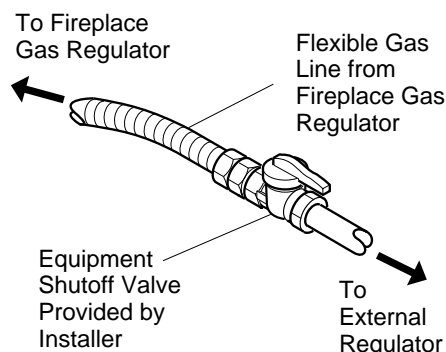


Figure 26 - Attaching Gas Lines Together

CHECKING GAS CONNECTIONS

WARNING: Test all gas piping and connections for leaks after installing or servicing. Correct all leaks at once.

WARNING: Never use an open flame to check for a leak. Apply a mixture of liquid soap and water to all joints. Bubbles forming show a leak. Correct all leaks at once.

Pressure Testing Gas Supply Piping System

Test Pressures In Excess Of 1/2 PSIG (3.5 kPa)

1. Disconnect appliance with its appliance main gas valve (control valve) and equipment shutoff valve from gas supply piping system. Pressures in excess of 1/2 psig will damage fireplace gas regulator.
2. Cap off open end of gas pipe where equipment shutoff valve was connected.
3. Pressurize supply piping system by either using compressed air or opening propane/LP supply tank valve.
4. Check all joints of gas supply piping system. Apply mixture of liquid soap and water to gas joints. Bubbles forming show a leak.
5. Correct all leaks at once.
6. Reconnect fireplace and equipment shutoff valve to gas supply. Check reconnected fittings for leaks.

Test Pressures Equal To or Less Than 1/2 PSIG (3.5 kPa)

1. Close equipment shutoff valve (see Figure 27).
2. Pressurize supply piping system by either using compressed air or opening propane/LP supply tank valve.
3. Check all joints from propane/LP supply to equipment shutoff valve (see Figure 28, page 16). Apply mixture of liquid soap and water to gas joints. Bubbles forming show a leak.
4. Correct all leaks at once.

Pressure Testing Fireplace Gas Connections

1. Open equipment shutoff valve (see Figure 27).
2. Open propane/LP supply tank valve.
3. Make sure control knob of fireplace is in the OFF position.
4. Check all joints from equipment shutoff valve to thermostat gas valve (see Figure 28, page 16). Apply mixture of liquid soap and water to gas joints. Bubbles forming show a leak.
5. Correct all leaks at once.
6. Light fireplace (see *Operating Fireplace*, pages 21 and 22). Check all other internal joints for leaks.
7. Turn off fireplace (see *To Turn Off Gas to Appliance*, page 22).

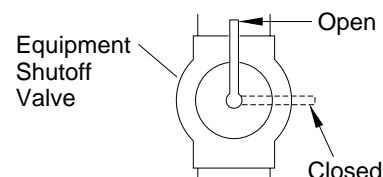


Figure 27 - Equipment Shutoff Valve

Continued

UNVENTED PROPANE/LP GAS FIREPLACE

INSTALLATION

Continued

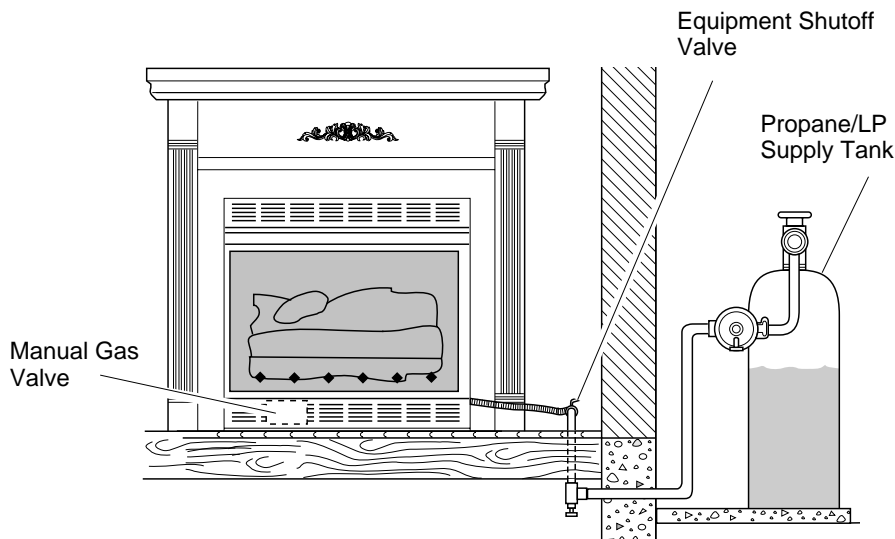


Figure 28 - Checking Gas Joints

CONVENTIONAL FIREPLACE INSTALLATION

Conventional installation of fireplace involves installing fireplace along with corner, face, or cabinet mantel with hearth base accessories against a wall in your home. Follow instructions below to install fireplace in this manner.

Note: The instructions below show installation using the cabinet mantel and hearth base accessories (see *Accessories*, page 34). The hearth base accessory shown is optional for this installation. You can install fireplace and cabinet mantel directly on the floor. The corner mantel accessory cannot be installed with the hearth bases. You must install corner mantel directly on the floor.

1. Assemble cabinet mantel, hearth base, and trim accessories. Assembly instructions are included with each accessory.
2. When installing blower, install a properly grounded, 120 volt three-prong electrical outlet at fireplace location if an outlet is not there. If possible, locate outlet so cabinet mantel will cover it when installed (see Figure 29).

3. If not already completed, install gas piping to fireplace location. This installation includes an approved flexible gas line (if allowed by local codes) after the equipment shutoff valve. The flexible gas line must be the last item installed on the gas piping. See *Installing Gas Piping to Fireplace Location*, page 14.
4. Place hearth base accessory against wall at installation location. Cut an access hole in hearth top to run flexible gas line to fireplace (see Figure 29). Make sure to locate access hole so cabinet mantel will cover it when installed. **Note:** You can secure base to floor using wood screws. Countersink screw heads and putty over.

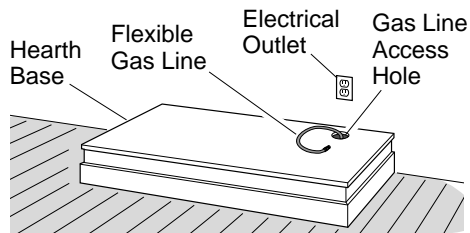


Figure 29 - Placing Hearth Base Accessory Against Wall

5. Route flexible gas line through access hole in hearth base.
6. Center cabinet mantel on hearth base (see Figure 30). Make sure mantel is flush against wall.
7. Break off nailing flanges (see Figure 31) with hammer or pliers.
8. Place cardboard or other protective material on top of hearth base. Carefully set fireplace on protective material, with back of fireplace inside mantel opening.
9. Attach flexible gas line to fireplace gas regulator. See *Connecting Fireplace to Gas Supply*, page 15.

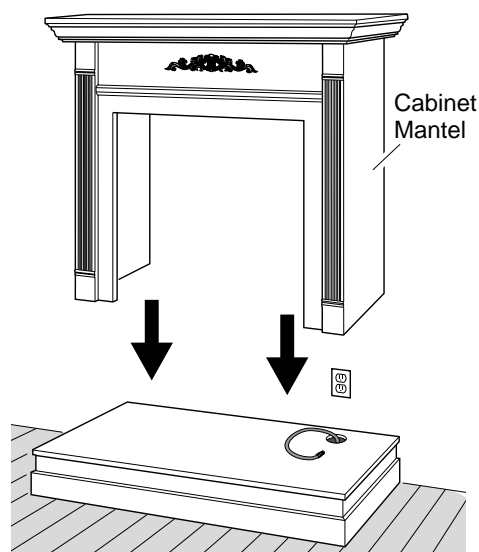


Figure 30 - Installing Cabinet Mantel

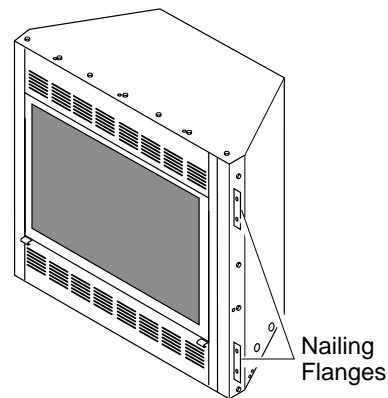


Figure 31 - Location of Nailing Flanges

INSTALLATION

Continued

10. Route electrical cord(s) through access holes in either side of fireplace with bushing. Plug electrical cord(s) into electrical outlet.
11. Carefully insert fireplace into cabinet mantel. Be careful not to scratch or damage hearth base, cabinet mantel, or any laminate trim on hearth base. Remove protective material from top of hearth base and from front of fireplace (if any). **Note:** You can secure fireplace to hearth or floor. Open lower louver. Locate screw holes in bottom of base. Tighten wood screws through these holes and into hearth or floor.
12. Check all gas connections for leaks. See *Checking Gas Connections*, page 15.

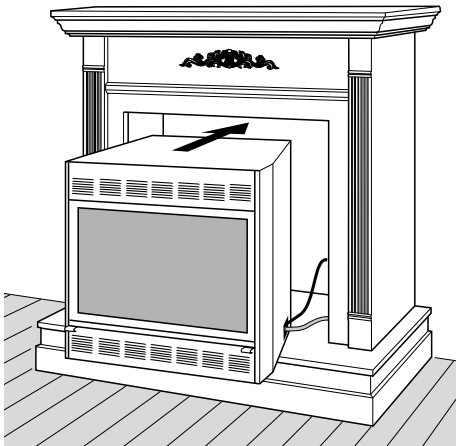


Figure 32 - Inserting Fireplace Into Cabinet Mantel

BUILT-IN FIREPLACE INSTALLATION

Built-in installation of this fireplace involves installing fireplace into a framed-in enclosure. This makes the front of fireplace flush with wall. If installing a mantel above the fireplace, you must follow the clearances shown in Figure 36, page 18. Follow the instructions below to install the fireplace in this manner.

	Actual	Framing
Height	32 ³ / ₈ "	33"
Front Width	34 ⁵ / ₁₆ "	35 ¹ / ₂ "
Depth	16 ¹¹ / ₁₆ "	17 ³ / ₄ "

1. Frame in rough opening. Use dimensions shown in Figure 33 for the rough opening. If installing in a corner, use dimensions shown in Figure 34 for the rough opening. The height is 33" which is the same as the wall opening above.
2. Install and properly ground GA3555, three-prong 120 volt electrical outlet, in fireplace. Follow instructions included in kit (see *Accessories*, page 34).
3. If not already completed, install gas piping to fireplace location. This installation includes an approved flexible gas line (if allowed by local codes) after the equipment shutoff valve. The flexible gas line must be the last item installed on the gas piping. See *Installing Gas Piping to Fireplace Location*, page 14.
4. Carefully set fireplace in front of rough opening with back of fireplace inside wall opening.
5. Attach flexible gas line to gas supply. See *Connecting Fireplace to Gas Supply*, page 15.
6. Plug electrical cord(s) into electrical outlet installed in step 2.
7. Carefully insert fireplace into rough opening.
8. Attach fireplace to wall studs using nails or wood screws through holes in nailing flange (see Figure 35).
9. Check all gas connections for leaks. See *Checking Gas Connections*, page 15.
10. Install brass trim. See *Assembling and Attaching Optional Brass Trim*, page 18.

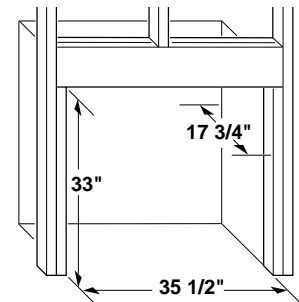


Figure 33 - Rough Opening for Installing in Wall

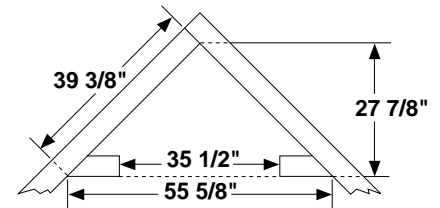


Figure 34 - Rough Opening for Installing in Corner

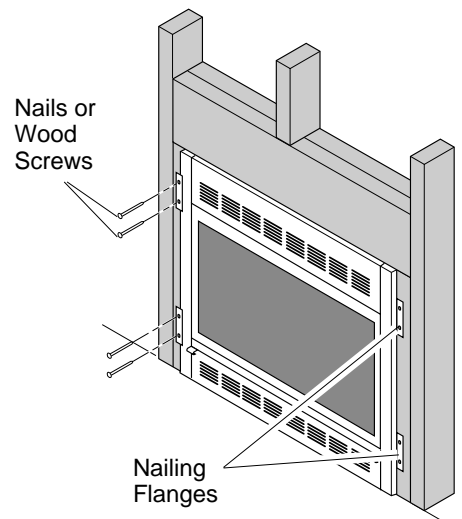


Figure 35 - Attaching Fireplace to Wall Studs

Continued

UNVENTED PROPANE/LP GAS FIREPLACE

INSTALLATION

Continued

Mantel Clearances for Built-In Installation

If placing mantel above built-in fireplace, you must meet minimum clearance between mantel shelf and top of fireplace opening.

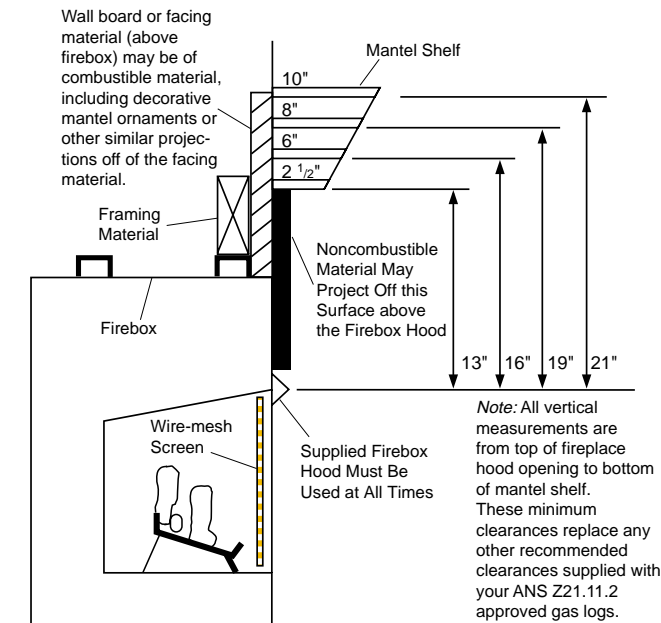


Figure 36 - Minimum Mantel Clearances for Built-In Installation

NOTICE: Surface temperatures of adjacent walls and mantels become hot during operation. Walls and mantels above the firebox may become hot to the touch. If installed properly, these temperatures meet the requirement of the national product standard. Follow all minimum clearances shown in this manual.

NOTICE: If your installation does not meet the minimum clearances shown, you must do one of the following:

- raise the mantel to an acceptable height
- remove the mantel

ASSEMBLING AND ATTACHING OPTIONAL BRASS TRIM (Included with Mantel Accessory)

Note: The instructions below show assembling and attaching brass trim to fireplace.

1. Remove packaging from three pieces of brass trim.
2. Locate four brass screws, two adjusting plates with set screws, and two shims in the hardware packet.
3. Align shim under adjusting plate as shown in Figure 37.
4. Slide one end of adjusting plate/shim in slot on mitered edge of top brass trim (see Figure 37).
5. Slide other end of adjusting plate/shim in slot on mitered edge of side brass trim (see Figure 37).

6. While firmly holding edges of brass trim together, tighten both set screws on the adjusting plate with slotted screwdriver.
7. Repeat steps 1 through 6 for other side.
8. Tighten trim hanging screws (#10 x 6.25 shoulder) into holes in cabinets. Place the assembled trim onto fireplace cabinet. Align hanging notches on trim with hanging screws on side of fireplace (see Figure 38). Push trim firmly into place, sliding hanging notches over hanging screws.

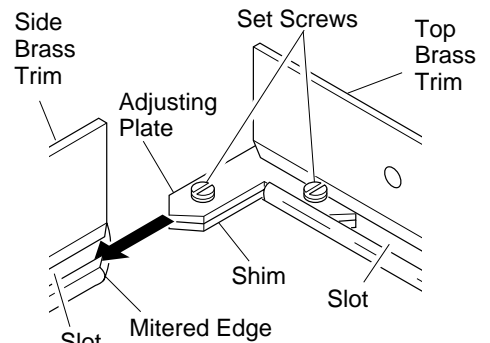


Figure 37 - Assembling Brass Trim

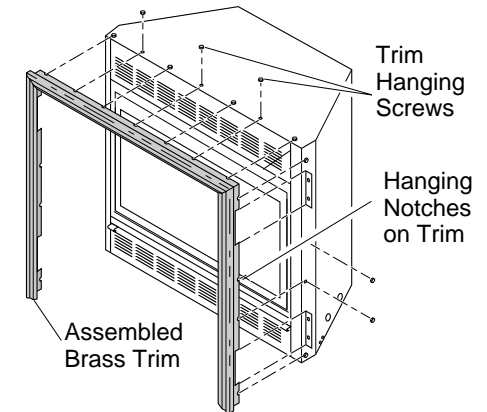


Figure 38 - Attaching Brass Trim to Fireplace

INSTALLING HOOD

Install hood to top of firebox as shown in Figure 39. Use 3 Phillips screws provided.

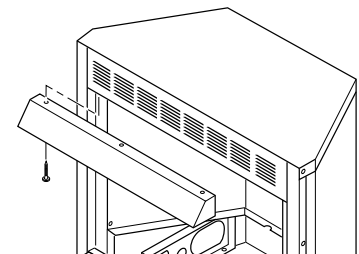


Figure 39 - Installing Hood to Firebox

INSTALLATION

Continued

INSTALLING LOGS (CGEFP33PR)

⚠ WARNING: Failure to position the parts in accordance with these diagrams or failure to use only parts specifically approved with this heater may result in property damage or personal injury.

⚠ CAUTION: After installation and periodically thereafter, check to ensure that no flame comes in contact with any log. With the heater set to HIGH, check to see if flames contact any log. If so, reposition logs according to the log installation instructions in this manual. Flames contacting logs will create soot.

Each log is marked with a number. These numbers will help you identify the log when installing. It is very important to install these logs exactly as instructed. Do not modify logs. Only use logs supplied with heater.

1. Locate pegs on the bottom of back log (#1). Slide these pegs into the holes in the grate base behind the burner (see Figure 40).

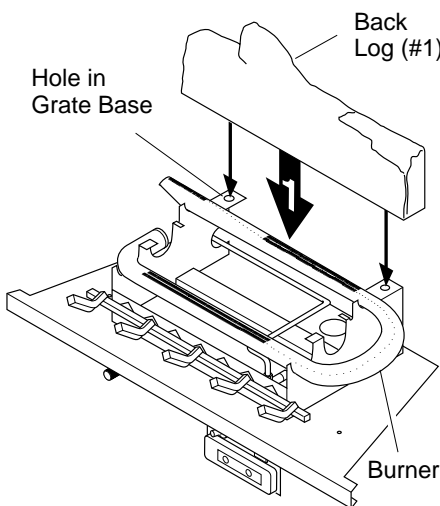


Figure 40 - Installing Back Log (#1)

2. Place the base of the middle log (#2) in the U-shaped slots of the grate base in front of the back log. The cutout on the right of the middle log should fit over the burner (see Figure 41). Make sure the front of the middle log is resting on the tabs of the grate base and the cutout area is centered over the burner "U" bend.
3. Locate the recesses on the back of the front log (#3). Fit these recesses between the posts of the grate base (see Figure 42).
4. Locate the notches in the bottom of the crossover log (#4). Place the crossover log on top of the middle log and front log. Make sure the notches of the crossover log line up with rectangular knobs on top of the middle and front logs (see Figure 43).

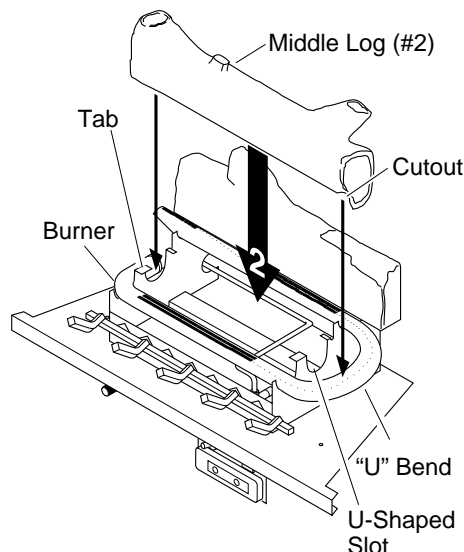


Figure 41 - Installing Middle Log (#2)

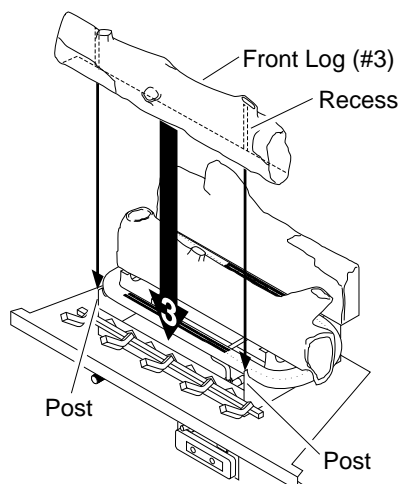


Figure 42 - Installing Front Log (#3)

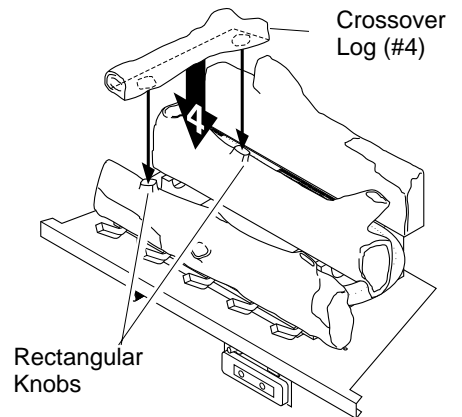


Figure 43 - Installing Crossover Log (#4)

INSTALLING LOGS (EFP33PR)

⚠ WARNING: Failure to position the parts in accordance with these diagrams or failure to use only parts specifically approved with this heater may result in property damage or personal injury.

⚠ CAUTION: Do not remove the warning and instruction labels attached to the heater base assembly. These markings contain important warranty information.

⚠ WARNING: After installation and periodically thereafter, check to ensure that no flame comes in contact with any log. With the heater set to High, check to see if flames contact any log. If so, reposition logs according to the log installation instructions in this manual. Flames contacting logs will create soot.

Each log is marked with a number. These numbers will help you identify the log when installing. It is very important to install these logs exactly as instructed. Do not modify logs. Only use logs supplied with heater.

Continued

UNVENTED PROPANE/LP GAS FIREPLACE

INSTALLATION

Continued

1. Place the base of the middle log (#1) in the U-shaped slots of the grate base. The cutout on the right of the middle log should fit over the burner (see Figure 44). Make sure the front of the middle log is resting on the tabs of the grate base and the cutout area is centered over the burner "U" bend.
2. Locate pegs on the bottom of back log (#2). Slide these pegs into the holes in the grate base behind the burner (see Figure 45).

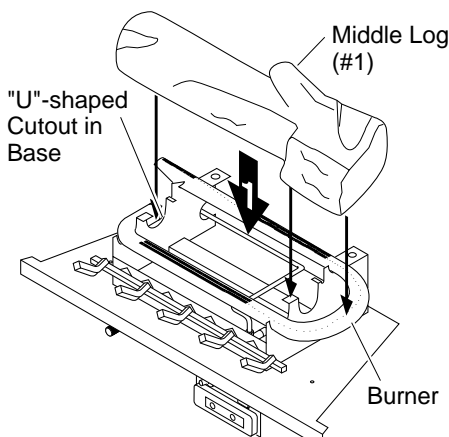


Figure 44 - Installing Middle Log (#1)

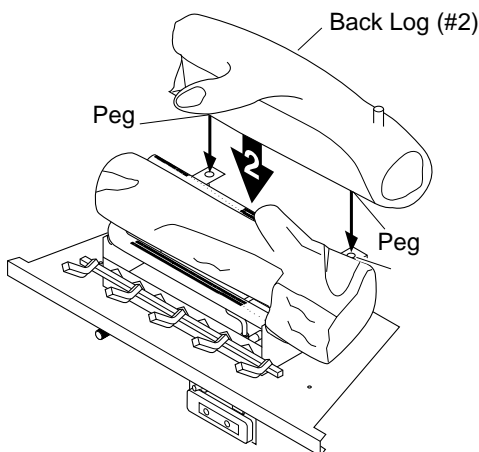


Figure 45 - Installing Back Log (#2)

3. Locate the notches in the bottom of the front log (#3). Place the front log on the grate fingers. Make sure the notches of the front log line up with the grate fingers (see Figure 46).
4. Place crossover log (#4) onto the peg (right) on back log (#2) and into the recess of the middle log (#1) (see Figure 47).

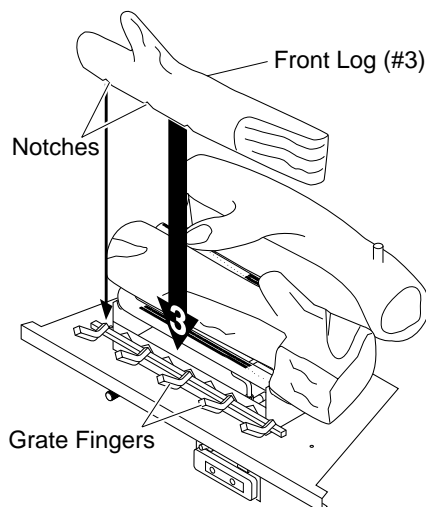


Figure 46 - Installing Front Log (#3)

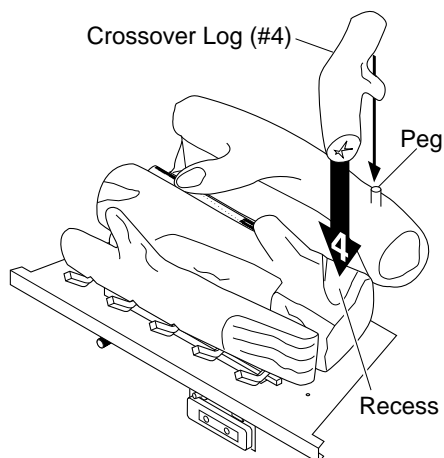


Figure 47 - Installing Crossover Log (#4)

INSTALLING SCREEN

⚠ WARNING: You must operate this fireplace with the fireplace screen in place. Make sure fireplace screen is in place before running fireplace.

Install fireplace screen by slipping notches of fireplace screen over screws on front of fireplace (see Figure 48).

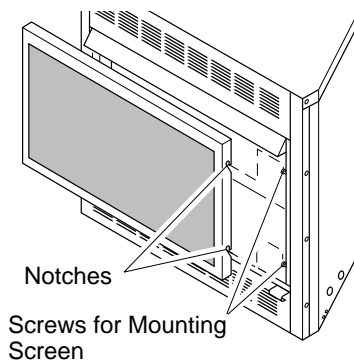


Figure 48 - Installing Fireplace Screen

INSTALLING BATTERY INTO REMOTE

1. Locate slot at bottom of remote control (see Figure 49). Firmly insert tool such as a small screwdriver, butter knife, or dime into the slot and lift up to remove cover.
2. Insert supplied battery into remote control. Positive and negative are marked inside remote control casing. **Note:** Remote will not function if battery is not installed correctly.
3. Slide tab on cover into remote housing and snap cover back into place.

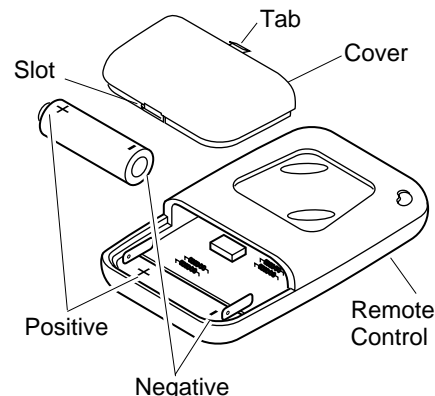


Figure 49 - Installing Battery

OWNER'S MANUAL

OPERATING FIREPLACE

FOR YOUR SAFETY READ BEFORE LIGHTING

WARNING: If you do not follow these instructions exactly, a fire or explosion may result causing property damage, personal injury or loss of life.

- A. This appliance has a pilot which lights automatically when using the supplied wall switch or remote control. If you have a power outage, the pilot may be lighted by hand with push-button piezo ignitor. When lighting the pilot, the following warnings must be followed.

- B. **BEFORE LIGHTING** smell all around the appliance area for gas. Be sure to smell next to the floor because some gas is heavier than air and will settle on the floor.

WHAT TO DO IF YOU SMELL GAS

- Do not try to light any appliance.
- Do not touch any electric switch; do not use any phone in your building.
- Immediately call your gas supplier from a neighbor's phone. Follow the gas supplier's instructions.
- If you cannot reach your gas supplier, call the fire department.

- C. **Electric Power Outage Only:** Use only your hand to turn the manual override handle on the gas control knob. Never use tools. If the knob will not turn by hand, don't try to repair it, call a qualified service technician or gas supplier. Force or attempted repair may result in a fire or explosion.

- D. Do not use this appliance if any part has been under water. Immediately call a qualified service technician to inspect the appliance and to replace any part of the control system and any gas control which has been under water.

NORMAL LIGHTING INSTRUCTIONS

WARNING: You must operate this heater with the fireplace screen in place. Make sure fireplace screen is in place before running heater.

NOTICE: During initial operation of new heater, burning logs will give off a paper-burning smell. Open damper or window to vent smell. This will only last a few hours.

1. **STOP!** Read the safety information, in column 1.
2. Make sure equipment shutoff valve is fully open.
3. Wait five (5) minutes to clear out any gas. Smell for gas around heater and near floor. If you smell gas, **STOP!** Follow "B" in the safety information on warnings plate. If you don't smell gas, go to the next step.

A. Using Supplied Wall Switch

1. Set manual ignition bypass switch on the control panel to the OFF position (automatic ignition position).
2. Press ON/OFF button. Hold for 6 seconds. Gas valve will open and electronic ignition will begin sparking to light pilot. LED will light.

Note: You may be running this heater for the first time after connecting to gas supply or at the start of your heating season. If so, the ON/OFF button may need to be pressed again. This will allow air to bleed from gas system. If several attempts to light pilot fail, contact a qualified service person or gas supplier for repairs. Until repairs are made, light and operate manually (see *Manual Lighting Instructions for Electric Power Outage*, page 22).

3. When pilot flame is lit, the thermocouple is heated by the flame. When thermocouple becomes hot (5 to 15 seconds), main burner will automatically light on high flame.
4. To lower flame, push HI/LO button on wall switch once.

Note: This fireplace does not have a pilot-only mode.

CAUTION: Do not try to adjust heating levels by using the equipment shutoff valve.

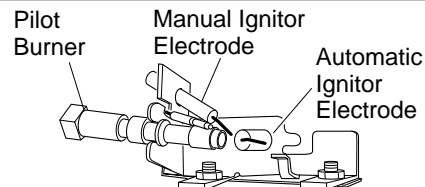


Figure 50 - Pilot

Manual Ignition Bypass Switch
(Up is for Remote Control)

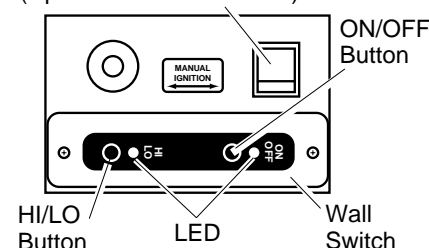


Figure 51 - Control Locations

B. Using Hand-Held Wireless Remote Control

1. Set manual ignition bypass switch on control panel to OFF position (automatic ignition position).
2. Wait five (5) minutes to clear out any gas. Smell for gas around heater and near floor. If you smell gas, **STOP!** Follow "B" in the safety information on warnings plate. If you don't smell gas, go to the next step.
3. Point remote control toward the lower front of fireplace and push both buttons at the same time. Hold for 6 seconds. The gas valve will open and electronic ignition will begin sparking to light the pilot. **Note:** You will be able to hear a clicking sound during this process. LED on wall switch will light.

Note: You may be running this heater for the first time after connecting to gas supply or at the start of your heating season. If so, the ON button may need to be pressed again. This will allow air to bleed from gas system. If several attempts to light pilot fail, contact a qualified service person or gas supplier for repairs. Until repairs are made, light and operate manually (see *Manual Lighting Instructions for Electrical Power Outage*, page 20).

Continued

UNVENTED PROPANE/LP GAS FIREPLACE

OPERATING FIREPLACE

Continued

- When pilot flame is lit, the thermocouple is heated by the flame. When thermocouple becomes hot (5 to 15 seconds), main burner will automatically light on high flame.
- To lower flame, point remote control toward lower front of fireplace and push HI/LO button once.

Note: This fireplace does not have a pilot-only mode.

TO TURN OFF GAS TO APPLIANCE

Shutting Off Heater - Wall Switch

Push ON/OFF button on wall switch once.

Shutting Off Heater - Wireless Remote Control

Point remote control toward lower front of fireplace and push both buttons at the same time.

MANUAL LIGHTING INSTRUCTIONS FOR ELECTRICAL POWER OUTAGE

WARNING: You must operate this heater with the fireplace screen in place. Make sure fireplace screen is in place before running heater.

NOTICE: During initial operation of new heater, burning logs will give off a paper-burning smell. Open damper or window to vent smell. This will only last a few hours.

Because this fireplace has an electronic ignition system, in the event there is a loss of power, it will be necessary to manually light the pilot with the piezo ignitor. After the pilot is lit, the main burner will light automatically.

- Follow steps 1 through 3 under *Normal Lighting Instructions*, page 21.
- Set manual ignition bypass switch on control panel to ON position (manual ignition position). See Figure 52.
- The pilot is attached to the rear of the front burner. You will be able to see the pilot and spark electrode without removing the screen or logs.
- Place the magnetic manual override handle, provided with this unit, on the end of the gas valve stem (see Figure 51).
- Turn the override handle fully counterclockwise to the PILOT position. The handle will not stop but will begin to slip when you have fully turned to the PILOT position.
- While holding the valve handle in the PILOT position, press and release piezo ignitor button (see Figure 52). This will light the pilot. If needed, keep pressing ignitor button until pilot lights.
- When pilot flame is lit, hold manual override handle until thermocouple heats (approximately 5 to 15 seconds). If pilot goes out, repeat process. If several attempts to light the pilot fail, contact a qualified service person or gas supplier for repairs.

- When thermocouple is heated, release override handle. The main burner will immediately light on high flame. Adjust flame size by turning override handle.

TO TURN OFF GAS TO APPLIANCE

Shutting Off Heater When Manually Lit

Set manual ignition bypass switch on control panel to OFF (automatic ignition position). This will cause the controls to shut down the fireplace.

OPTIONAL BLOWER OPERATION

Locate the blower switch by opening lower louver on fireplace. Blower switch is located at lower right inside louver door.

The GA3650TA Series thermostat-controlled blower has a variable speed control with an ON/OFF switch. The blower will start when the thermostat senses a sufficient increase in firebox temperature. The GA3750 Series variable speed blower also has an ON/OFF switch built into the variable speed control.

Note for GA3650TA Series Only: If you are using GA3650TA blower, your fireplace and blower will not turn on and off at the same time. The fireplace may run for several minutes before the blower turns on. After the heater modulates to the pilot position, the blower will continue to run. The blower will shut off after the firebox temperature decreases.

Note: It is safe to operate fireplace with blower turned off. However, the blower helps distribute heated air from the fireplace.

Follow installation instructions included with the blower accessory.

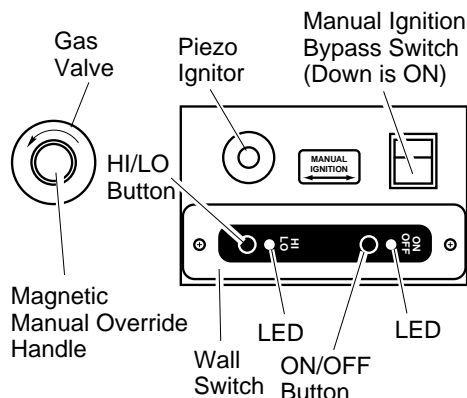


Figure 52 - Control Locations

INSPECTING BURNERS

Check pilot flame pattern and burner flame patterns often.

PILOT FLAME PATTERN

Figure 53 shows a correct pilot flame pattern. Figure 54 shows an incorrect pilot flame pattern. The incorrect pilot flame is not properly heating the thermocouple. When the thermocouple cools, the heater will shut down.

If pilot flame pattern is incorrect, as shown in Figure 54

- turn heater off (see *To Turn Off Gas to Appliance*, page 22)
- see *Troubleshooting*, pages 24 through 26

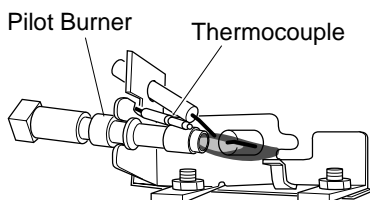


Figure 53 - Correct Pilot Flame Pattern

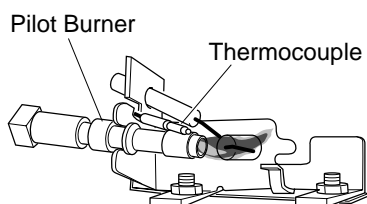


Figure 54 - Incorrect Pilot Flame Pattern

MAIN BURNER

Periodically inspect all burner flame holes with the heater running. All slotted burner flame holes should be open with yellow flame present. All round burner flame holes should be open with a small blue flame present. Some burner flame holes may become blocked by debris or rust, with no flame present. If so, turn off heater and let cool. Either remove blockage or replace burner. Blocked burner flame holes will create soot.

CLEANING AND MAINTENANCE

⚠ WARNING: Turn off heater and let cool before cleaning.

⚠ CAUTION: You must keep control areas, burner, and circulating air passageways of heater clean. Inspect these areas of heater before each use. Have heater inspected yearly by a qualified service person. Heater may need more frequent cleaning due to excessive lint from carpeting, bedding material, pet hair, etc.

CLEANING BURNER INJECTOR HOLDER AND PILOT AIR INLET HOLE

The primary air inlet holes allow the proper amount of air to mix with the gas. This provides a clean burning flame. Keep these holes clear of dust, dirt, lint, and pet hair. Clean these air inlet holes prior to each heating season. Blocked air holes will create soot. We recommend that you clean the unit every every three months during operation and have heater inspected yearly by a qualified service person.

We also recommend that you keep the burner tube and pilot assembly clean and free of dust and dirt. To clean these parts we recommend using compressed air no greater than 30 PSI. Your local computer store, hardware store, or home center may carry compressed air in a can. You can use a vacuum cleaner in the blow position. If using compressed air in a can, please follow the directions on the can. If you don't follow directions on the can, you could damage the pilot assembly.

1. Shut off the unit, including the pilot. Allow the unit to cool for at least thirty minutes.
2. Inspect burner, pilot, and primary air inlet holes on injector holder for dust and dirt (see Figure 55).
3. Blow air through the ports/slots and holes in the burner.
4. Check the injector holder located at the end of the burner tube again. Remove any large particles of dust, dirt, lint, or pet hair with a soft cloth or vacuum cleaner nozzle.
5. Blow air into the primary air holes on the injector holder.

6. In case any large clumps of dust have now been pushed into the burner repeat steps 3 and 4.

Clean the pilot assembly also. A yellow tip on the pilot flame indicates dust and dirt in the pilot assembly. There is a small pilot air inlet hole about two inches from where the pilot flame comes out of the pilot assembly (see Figure 56). With the unit off, lightly blow air through the air inlet hole. You may blow through a drinking straw if compressed air is not available.

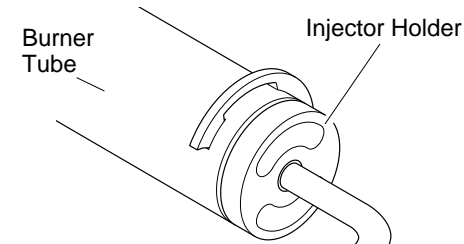


Figure 55 - Injector Holder On Outlet Burner Tube

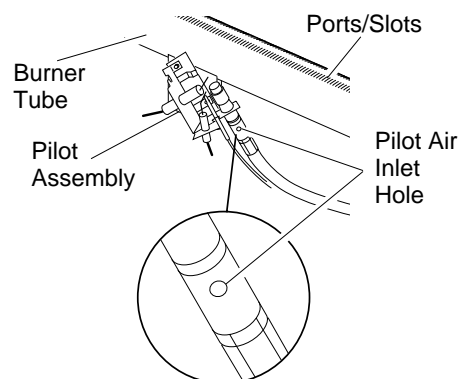


Figure 56 - Pilot Inlet Air Hole

LOGS

- If you remove logs for cleaning, refer to *Installing Logs*, pages 19 and 20, to properly replace logs.
- Replace log(s) if broken or chipped (dime-sized or larger).

MAIN BURNER

Periodically inspect all burner flame holes with the heater running. All slotted burner flame holes should be open with yellow flame present. All round burner flame holes should be open with a small blue flame present. Some burner flame holes may become blocked by debris or rust, with no flame present. If so, turn off heater and let cool. Either remove blockage or replace burner. Blocked burner flame holes will create soot.

UNVENTED PROPANE/LP GAS FIREPLACE

TROUBLESHOOTING

Note: For additional help, visit DESA International's technical service web site at www.desatech.com.

⚠ WARNING: Turn off heater and let cool before servicing. Only a qualified service person should service and repair heater.

⚠ CAUTION: Never use a wire, needle, or similar object to clean ODS/pilot. This can damage ODS/pilot unit.

Note: All troubleshooting items are listed in order of operation.

OBSERVED PROBLEM	POSSIBLE CAUSE	REMEDY
When buttons on remote control are pressed, there is no response from fireplace	<ol style="list-style-type: none"> 1. Battery in remote control is either missing or has low power 2. Remote control is not pointed toward fireplace 3. Manual ignition bypass switch not in OFF position 4. No power available to fireplace 5. Ignitor electrode not connected to ignitor cable 6. Broken ignitor cable 7. Ignitor electrode broken 8. Ignitor electrode positioned wrong 	<ol style="list-style-type: none"> 1. Replace battery in remote control 2. Point remote control toward lower front panel of fireplace when operating 3. Place manual ignition bypass switch in OFF position 4. Make sure power cord is plugged into electrical outlet and outlet has power 5. Reconnect ignitor cable 6. Replace ignitor cable 7. Replace electrode 8. Replace ODS pilot
When wall switch button is pressed, there is no response from fireplace	<ol style="list-style-type: none"> 1. No power available to fireplace 2. Manual ignition bypass switch not in OFF position 3. Wall switch wire harness is disconnected 	<ol style="list-style-type: none"> 1. Make sure power cord is plugged into an electrical outlet and outlet has power 2. Place manual ignition bypass switch in OFF position 3. Check continuity of wall switch wire harness. Make sure plug on wall switch wire harness is fully inserted into socket on circuit board in fireplace. Replace if necessary
Burner does not light after ODS/pilot is lit	<ol style="list-style-type: none"> 1. Burner orifice clogged 2. Inlet gas pressure is too low 3. Burner orifice diameter is too small 	<ol style="list-style-type: none"> 1. Clean burner (see <i>Cleaning and Maintenance</i>, page 23) or replace burner orifice 2. Contact local propane/LP gas company 3. Replace burner orifice
Delayed ignition burner	<ol style="list-style-type: none"> 1. Manifold pressure is too low 2. Burner orifice clogged 	<ol style="list-style-type: none"> 1. Contact local propane/LP gas company 2. Clean burner (see <i>Cleaning and Maintenance</i>, page 23) or replace burner orifice
Burner backfiring during combustion	<ol style="list-style-type: none"> 1. Burner orifice is clogged or damaged 2. Damaged burner 3. Gas regulator defective 	<ol style="list-style-type: none"> 1. Clean burner (see <i>Cleaning and Maintenance</i>, page 23) or replace burner orifice 2. Replace damaged burner 3. Replace gas control
Slight smoke or odor during initial operation	<ol style="list-style-type: none"> 1. Not enough air 2. Gas regulator defective 3. Residues from manufacturing processes and logs curing 	<ol style="list-style-type: none"> 1. Check burner for dirt and debris. If found, clean burner (see <i>Cleaning and Maintenance</i>, page 23) 2. Replace gas control 3. Problem will stop after a few hours of operation
Moisture/condensation noticed on windows	<ol style="list-style-type: none"> 1. Not enough combustion/ventilation air 	<ol style="list-style-type: none"> 1. Refer to <i>Air for Combustion and Ventilation</i> requirements (page 4)

www.desatech.com

OWNER'S MANUAL

TROUBLESHOOTING

Continued

OBSERVED PROBLEM	POSSIBLE CAUSE	REMEDY
Heater produces a whistling noise when burner is lit	<ol style="list-style-type: none"> 1. Turning control knob to HI position when burner is cold 2. Air in gas line 3. Air passageways on heater blocked 4. Dirty or partially clogged burner orifice 	<ol style="list-style-type: none"> 1. Turn control knob to LO position and let warm up for a minute 2. Operate burner until air is removed from line. Have gas line checked by local propane/LP gas company 3. Observe minimum installation clearances (see pages 8 through 10) 4. Clean burner (see <i>Cleaning and Maintenance</i>, page 23) or replace burner orifice
When ignitor button is pressed, there is no spark at ODS/pilot (manual ignition mode)	<ol style="list-style-type: none"> 1. Ignitor electrode not connected to ignitor cable 2. Ignitor cable pinched or wet 3. Piezo ignitor nut is loose 4. Broken ignitor cable 5. Bad piezo ignitor 6. Ignitor electrode broken 7. Ignitor electrode positioned wrong 	<ol style="list-style-type: none"> 1. Reconnect ignitor cable 2. Free ignitor cable if pinched by any metal or tubing. Keep ignitor cable dry 3. Tighten nut holding piezo ignitor to base panel of log set. Nut is located behind base panel 4. Replace ignitor cable 5. Replace piezo ignitor 6. Replace piezo ignitor 7. Replace piezo ignitor and bracket
When ignitor button is pressed, there is spark at ODS/pilot but no ignition (manual ignition mode)	<ol style="list-style-type: none"> 1. Gas supply turned off or equipment shutoff valve closed 2. Control knob not in PILOT position 3. Air in gas lines when installed 4. ODS/pilot is clogged 5. Gas regulator setting is not correct 	<ol style="list-style-type: none"> 1. Turn on gas supply or open equipment shutoff valve 2. Turn control knob to PILOT position full counterclockwise 3. Continue holding control knob in full counterclockwise position. Repeat igniting operation until air is removed 4. Clean ODS/pilot (see <i>Cleaning and Maintenance</i>, page 23) or replace ODS/pilot assembly 5. Replace gas regulator
ODS/pilot lights but flame goes out when control knob is released (manual ignition mode)	<ol style="list-style-type: none"> 1. Control knob not fully turned counterclockwise 2. Control knob not held long enough 3. Equipment shutoff valve not fully open 4. Pilot flame not touching thermocouple, which allows thermocouple to cool, causing pilot flame to go out. This problem could be caused by one or both of the following: <ol style="list-style-type: none"> A) Low gas pressure B) Dirty or partially clogged ODS/pilot 5. Thermocouple connection loose at control valve 6. Thermocouple damaged 7. Control valve damaged 	<ol style="list-style-type: none"> 1. Turn control knob fully counterclockwise 2. After ODS/pilot lights, hold control knob for 30 seconds 3. Fully open equipment shutoff valve 4. A) Contact local propane/LP gas company B) Clean ODS/pilot (see <i>Cleaning and Maintenance</i>, page 23) or replace ODS/pilot assembly 5. Hand tighten until snug, then tighten 1/4 turn more 6. Replace pilot assembly 7. Replace control valve

B

www.desatech.com

Continued

UNVENTED PROPANE/LP GAS FIREPLACE

TROUBLESHOOTING

Continued

- ⚠ WARNING: If you smell gas**
- Shut off gas supply.
 - Do not try to light any appliance.
 - Do not touch any electrical switch; do not use any phone in your building.
 - Immediately call your gas supplier from a neighbor's phone. Follow the gas supplier's instructions.
 - If you cannot reach your gas supplier, call the fire department.

IMPORTANT: Operating fireplace where impurities in air exist may create odors. Cleaning supplies, paint, paint remover, cigarette smoke, cements and glues, new carpet or textiles, etc., create fumes. These fumes may mix with combustion air and create odors. These odors will disappear over time.

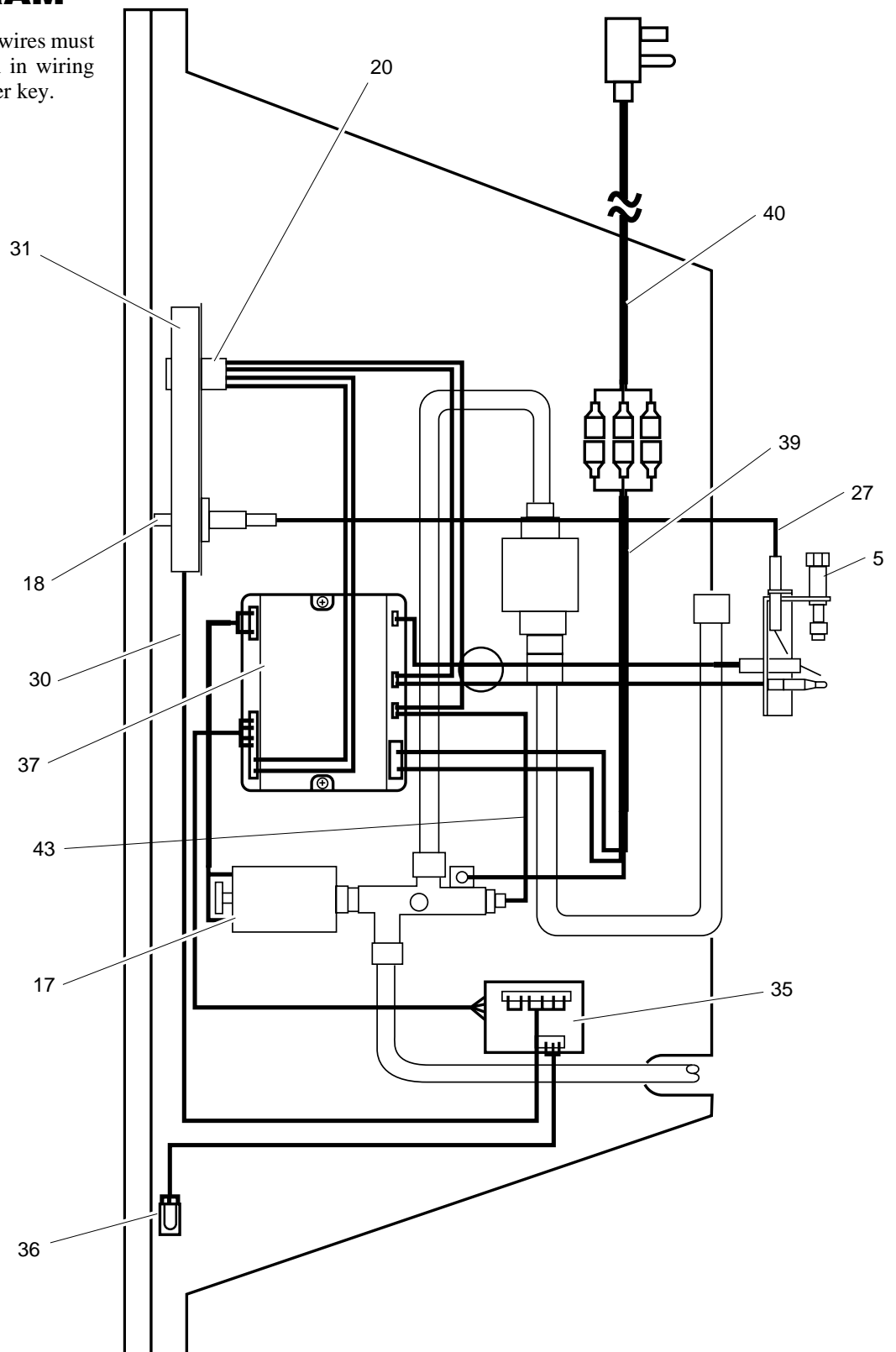
OBSERVED PROBLEM	POSSIBLE CAUSE	REMEDY
Fireplace produces a clicking/ticking noise just after burners are lit or shut off	1. Metal expanding while heating or contracting while cooling	1. This is common with most fireplaces. If noise is excessive, contact qualified service person
Fireplace produces unwanted odors	1. Fireplace burning vapors from paint, hair spray, glues, cleaners, chemicals, new carpet, etc. (see <i>IMPORTANT</i> statement above) 2. Gas leak. See Warning statement above	1. Open window and ventilate room. Stop using odor causing products while fireplace is running 2. Locate and correct all leaks (see <i>Checking Gas Connections</i> , page 15)
Fireplace shuts off in use (ODS operates)	1. Not enough fresh air is available 2. Low line pressure 3. ODS/pilot is partially clogged	1. Open window and/or door for ventilation 2. Contact local propane/LP gas company 3. Clean ODS/pilot (see <i>Cleaning and Maintenance</i> , page 23)
Gas odor even when wall switch and remote control buttons and switches are in OFF position	1. Gas leak. See Warning statement above 2. Control valve defective	1. Locate and correct all leaks (see <i>Checking Gas Connections</i> , page 15) 2. Replace control valve
Gas odor during combustion	1. Foreign matter between control valve and burner 2. Gas leak. See Warning statement above	1. Take apart gas tubing and remove foreign matter 2. Locate and correct all leaks (see <i>Checking Gas Connections</i> , page 15)
Dark residue on logs or inside of fireplace <i>Note:</i> After removing all causes of residue deposits, completely clean fireplace and appliances of all residue before reusing appliance.	1. Improper log placement 2. Drafts or other air currents affecting flame pattern 3. Air holes at burner inlet blocked 4. Burner flame holes blocked	1. Properly locate logs (see <i>Installing Logs</i> , pages 19 and 20) 2. Eliminate source of drafts around heater 3. Clean out air holes at burner inlet. Periodically repeat as needed 4. Remove blockage or replace burner
White powder residue forming within burner box or on adjacent walls or furniture	1. When heated, vapors from furniture polish, wax, carpet cleaners, etc. turn into white powder residue	1. Turn heater off when using furniture polish, wax, carpet cleaners, or similar products

www.desatech.com

OWNER'S MANUAL

WIRING DIAGRAM

Note: For proper operation, the wires must be connected exactly as shown in wiring diagram. See page 31 for number key.





UNVENTED PROPANE/LP GAS FIREPLACE

SPECIFICATIONS

Btu (Variable)	20,000/33,000
Type Gas	Propane/LP Gas Only
Ignition	Electronic (Automatic)/Piezo (Manual)
Pressure Manifold	3.5" W.C.
Inlet Gas Pressure (in. of water)	

Maximum 10.5"

Minimum* 5"

Shipping Weight

* For input adjustment

SERVICE HINTS

When Gas Pressure Is Too Low

- pilot will not stay lit
- burners will have delayed ignition
- heater will not produce specified heat

When Gas Quality Is Bad

- pilot will not stay lit
- burners will produce flames and soot
- heater will backfire when lit

You may feel your gas pressure is too low or gas quality is bad. If so, contact your local propane/LP gas supplier.

TECHNICAL SERVICE

You may have further questions about installation, operation, or troubleshooting.

If so, contact DESA International's Technical Service Department at 1-800-DESA LOG (1-800-337-2564).

You can also visit DESA International's technical service web site at www.desatech.com.

REPLACEMENT PARTS

Note: Use only original replacement parts. This will protect your warranty coverage for parts replaced under warranty.

PARTS UNDER WARRANTY

Contact authorized dealers of this product. If they can't supply original replacement part(s), call DESA International's Technical Service Department at 1-800-DESA LOG (1-800-337-2564).

When calling DESA International, have ready

- your name
- your address
- model and serial numbers of your fireplace
- how fireplace was malfunctioning
- type of gas used (propane or natural gas)
- purchase date

Usually, we will ask you to return the defective part to the factory.

PARTS NOT UNDER WARRANTY

Contact authorized dealers of this product (see page 29). If they can't supply original replacement part(s), call DESA International's Parts Department at 1-800-972-7879 for referral information.

When calling DESA International, have ready

- model number of your fireplace
- the replacement part number

OWNER'S MANUAL

PARTS DEALERS

These Parts Dealers are privately owned businesses. They have agreed to support our customer's needs by providing original replacement parts and accessories.

Baltimore Electric

1348 Dixwell Avenue
Hamden, CT 06514-0322
1-800-397-7553
203-248-7553
Parts Department

Portable Heater Parts

342 N. County Rd. 400 East
Valparaiso, IN 46383-9704
All States
219-462-7441
1-800-362-6951
sales@portableheaterparts.com
techservice@portableheaterparts.com

FBD

1349 Adams Street
Bowling Green, KY 42103-3414
270-846-1199
1-800-654-8534
Fax: 1-800-846-0090
franktalk@aol.com

Master Parts Dist.

1251 Mound Ave NW
Grand Rapids, MI 49504-2672
616-791-0505
1-800-446-1446
Fax: 616-791-8270
www.nbmc.com

Washer Equipment Co.

1715 Main Street
Kansas City, MO 64108-2195
KS, MO, AR
816-842-3911
www.washerparts.com

East Coast Energy Products

707 Broadway
W. Long Branch, NJ 07764-1542
732-870-8809
1-800-755-8809
www.njplaza.com/ecep

Dayton Hardware

P.O. Box 275
North Dayton Station
Dayton, OH 45404-0275
All States
937-258-3721
OH 1-800-762-3426

Halco Enterprises

208 Carter Drive, Unit 21
West Chester, PA 19382-4500
610-430-7717
1-800-368-0803
www.halcoenterprises.com

LA Porte's Parts & Service

2444 N. 5th Street
Hartsville, SC 29550-7704
803-332-0191
Parts Department

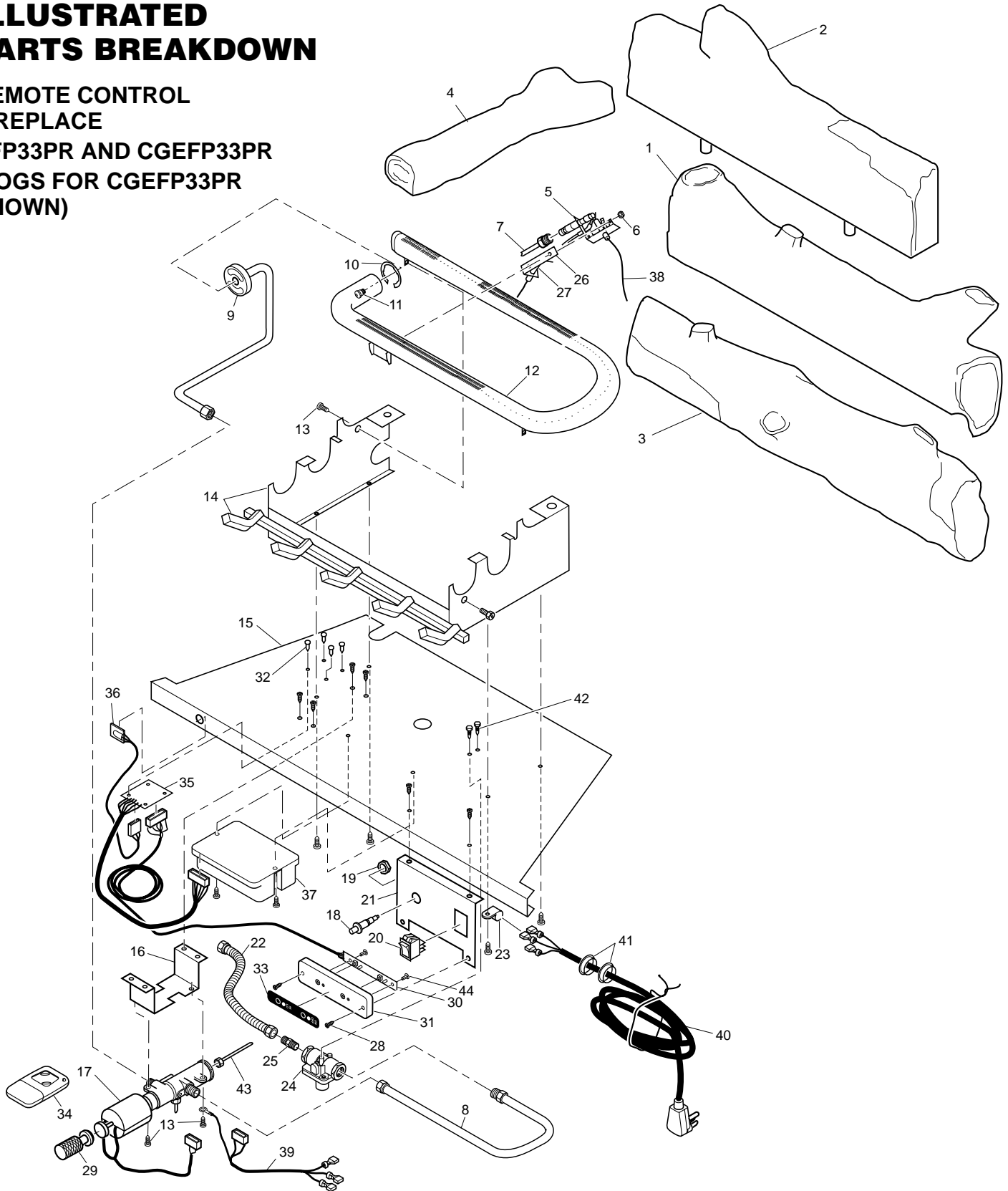
Cans Unlimited, Inc.

P.O. Box 645
Taylor, SC 29687-0013
All States
803-879-3009
1-800-845-5301
cuissales@aol.com

UNVENTED PROPANE/LP GAS FIREPLACE

ILLUSTRATED PARTS BREAKDOWN

REMOTE CONTROL
FIREPLACE
EFP33PR AND CGEFP33PR
(LOGS FOR CGEFP33PR
SHOWN)



OWNER'S MANUAL

PARTS LIST

This list contains replaceable parts used in your fireplace. When ordering parts, follow the instructions listed under *Replacement Parts* on page 28 of this manual.

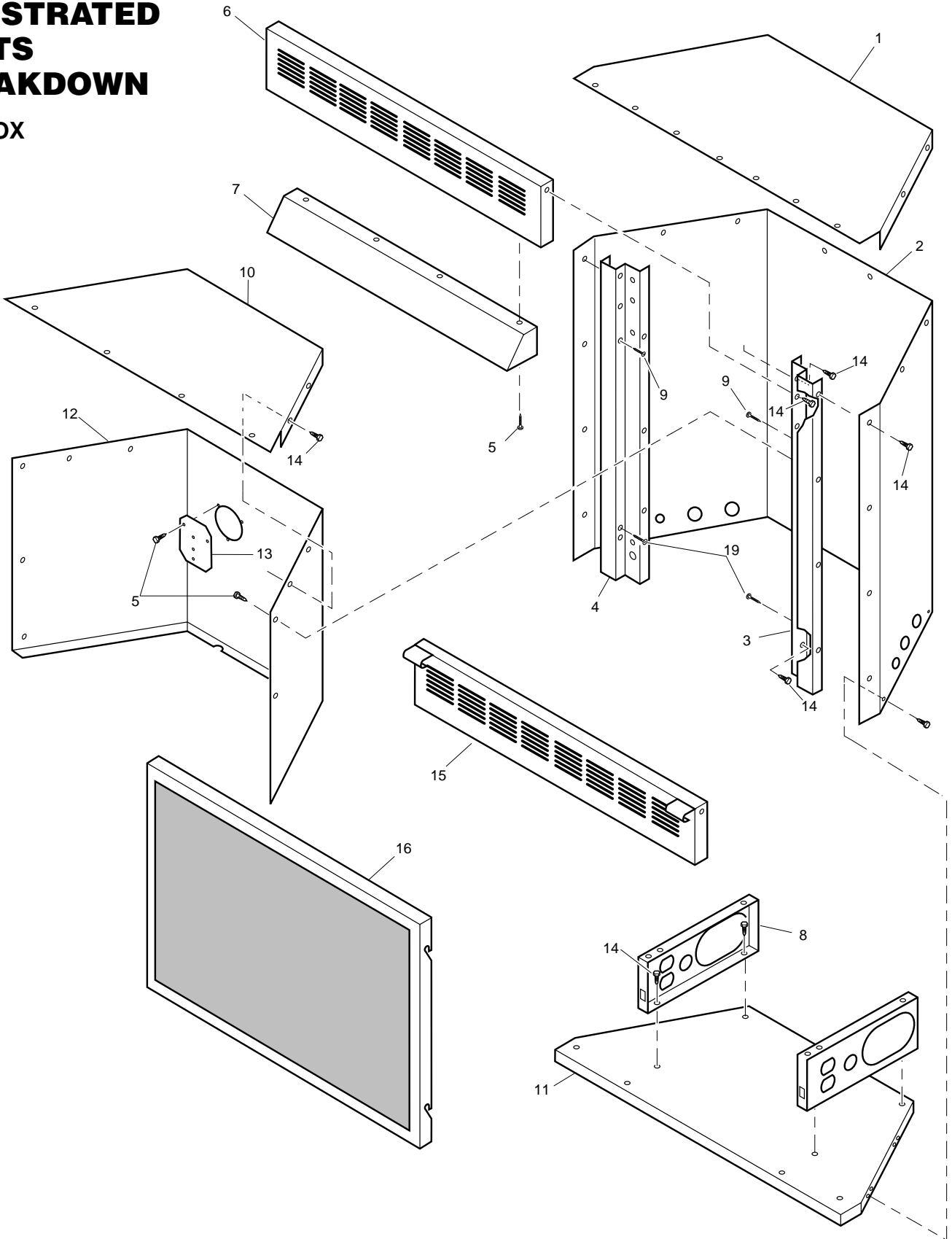
REMOTE CONTROL FIREPLACE EFP33PR AND CGEFP33PR

KEY NO.	PART NUMBER EFP33PR	PART NUMBER CGEFP33PR	DESCRIPTION	QTY.
1	104937-01	103009-01	Middle Log (#1)	1
2	104938-01	103008-01	Back Log (#2)	1
3	104936-01	103010-01	Front Log (#3)	1
4	104939-01	103011-01	Crossover Log (#4)	1
5	104286-02	104286-02	ODS Pilot	1
6	098249-01	098249-01	ODS Nut	2
7	099387-05	099387-05	Pilot Tube	1
8	101973-02	101973-02	Inlet Tube	1
9	107572-01	107572-01	Burner Outlet Tube	1
10	102843-01	102843-01	Burner Clip	1
11	099056-19	099056-19	Burner Orifice Injector	1
12	102772-01	102772-01	Burner	1
13	M10908-2	M10908-2	Screw, Self-Tapping	2
14	104236-01CK	104236-01CK	Painted Base Assy	1
15	104238-03CK	104238-03CK	Firebox Bottom	1
16	107573-01	107573-01	Valve Bracket	1
17	107559-02	107559-02	Gas Control Valve	1
18	102445-01	102445-01	Piezo Ignitor	1
19	102334-01	102334-01	Palnut Fastener	1
20	107562-01	107562-01	Switch and Wire Assembly	1
21	107685-01	107685-01	Bracket, Switch and Piezo	1
22	101628-03	101628-03	Flexible Connector	1
23	098544-01	098544-01	Wire Support Clip	1
24	099415-13	099415-13	Pressure Regulator	1
25	097809-03	097809-03	Fitting 3/8" Flare to 1/2" NPT	1
26	107687-01	107687-01	Electrode Bracket	1
27	103904-02	103904-02	Electrode	1
28	100694-01	100694-01	Screw, #6 x 1 1/4" PH	2
29	107560-01	107560-01	Magnetic Manual Override Handle	1
30	107563-01	107563-01	Wall Switch and Cord	1
31	107558-01	107558-01	Wall Switch Decorative Plate	1
32	102349-02	102349-02	Support, PCB	4
33	107561-01	107561-01	Wall Plate Decal	1
34	107564-01	107564-01	Remote Control	1
35	107565-01	107565-01	Receiver Assembly	1
36	107565-02	107565-02	Sensor Assembly	1
37	107566-01	107566-01	Module, Control Board	1
38	098271-08	098271-08	Ignitor Cable	1
39	107568-01	107568-01	Main Power Cable	1
40	098219-37	098219-37	Power Cord	1
41	101629-01	101629-01	1.5" Bushing	2
42	098303-02	098303-02	Screw, #6	2
43	107743-01	107743-01	Thermocouple Wire	1
44	107847-01	107847-01	Screw, #6019 x 1/4"	2
PARTS AVAILABLE — NOT SHOWN				
	19724000	19724000	Cable Tie	4
	107073-03	107073-03	Information Video	1
	901056-01	901056-01	Fitting, 3/8" NPT	1
	107736-01	107736-01	Wall Plate Assembly Kit (Contains Items 31, 33, 44)	
	107737-01	107737-01	Wall Switch Assembly Kit (Contains Items 28, 30, 31, 33, 44)	

UNVENTED PROPANE/LP GAS FIREPLACE

ILLUSTRATED PARTS BREAKDOWN

FIREBOX



OWNER'S MANUAL

PARTS LIST

This list contains replaceable parts used in your fireplace. When ordering parts, follow the instructions listed under *Replacement Parts* on page 28 of this manual.

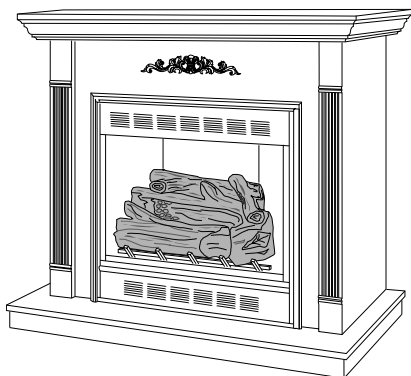
FIREBOX

KEY NO.	PART NUMBER	DESCRIPTION	QTY.
1	101357-03	Top Outer Casing	1
2	103207-01	Outer Casing	1
3	102758-02CK	Right Front Side	1
4	102759-02CK	Left Front Side	1
5	098304-01	Phillips Pan Head Screw, #10	9
6	104239-01CK	Top Front Louver	1
7	101712-03	Firebox Hood	1
8	101348-01	Firebox Support	2
9	099230-02	Shoulder Screw	4
10	101872-03	Firebox Top	1
11	101346-01CK	Outer Base	1
12	101838-03	Firebox Wrapper	1
13	101514-01CK	Cover	1
14	M11084-26	Hex Screw, #10	45
15	104242-01CK	Bottom Louvered Door	1
16	101727-02	Screen Assembly	1
PARTS AVAILABLE — NOT SHOWN			
	101386-02	Louvered Door Hinge	2
	101784-01	Magnet Catch	2
	102307-01	Strike Plate	2

UNVENTED PROPANE/LP GAS FIREPLACE

ACCESSORIES

Purchase these fireplace accessories from your local dealer or Parts Dealers list on page 29. If they can not supply these accessories, call DESA International's Sales Department at 1-800-458-2472 for referral information. You can also write to the address listed on the back page of this manual.



CABINET MANTEL AND BASE ACCESSORY WITH FIREPLACE PERIMETER TRIM (Not Available at All Locations)

GMC8CU Series - Unfinished Birch Veneer, Ready to Stain or Paint

GMC9CF Series - Walnut Stained Birch Veneer

GMC10CF Series - Stained Oak Veneer

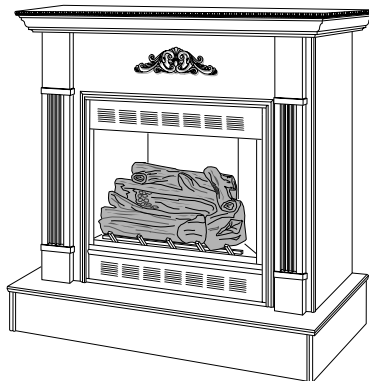
Mantel and base feature moldings, fluted sides, and medallion.

Mantel Dimensions (H x W x D): 44 ³/₄" x 53" x 20 ³/₄"

Base Dimensions (H x W x D): 3 ³/₄" x 48 ¹/₄" x 23 ³/₄"

BRASS TRIM ACCESSORY GA7090 (Not Shown)

Optional with built-in installation. Provides a finished appearance covering rough and/or unfinished mantel or wall opening, edges, etc.



CABINET MANTEL ACCESSORY WITH FIREPLACE PERIMETER BRASS TRIM

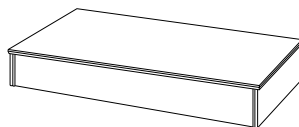
GMC11F Series - Walnut Finished Hardwood Veneer

GMC12U Series - Unfinished Hardwood Veneer, Ready to Stain or Paint.

GMC13F Series - Medium Stained Oak Veneer

Mantel features moldings, fluted sides, and medallion.

Dimensions (H x W x D): 44" x 57 ³/₄" x 22 ⁷/₈"



HEARTH BASE (for Use with Cabinet Mantel)

GC3333F Series - Walnut Finished Hardwood Veneer

GC3334U Series - Unfinished Hardwood Veneer

GC3335F Series - Medium Stained Oak Veneer

The hearth base creates a handsome riser for the fireplace.

Dimensions (H x W x D): 6 ¹/₂" x 58" x 28 ⁹/₁₆"

DUPLEX OUTLET KIT - GA3555 (Not Shown)

Use for built-in installations when hard wiring your fireplace.

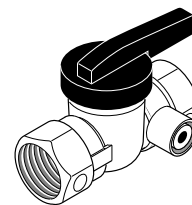
CORNER MANTEL ACCESSORY WITH FIREPLACE PERIMETER BRASS TRIM (Not Shown)

GMC36F Series - Walnut Finished Birch Veneer

GMC37U Series - Unfinished Birch Veneer, Ready to Stain or Paint.

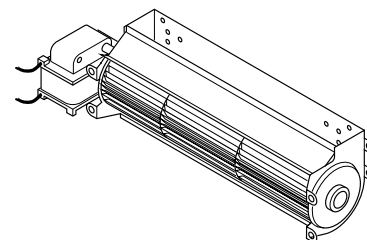
Space saving corner mantels feature moldings, fluting and medallion.

Dimensions (H x W x D): 48 ³/₄" x 60 ⁷/₈" x 34 ³/₄"



EQUIPMENT SHUTOFF VALVE - GA5010

For all models. Equipment shutoff valve with 1/8" NPT tap. Fits 1/2" NPT pipe.



BLOWER ACCESSORY GA3750 SERIES AND GA3650T SERIES

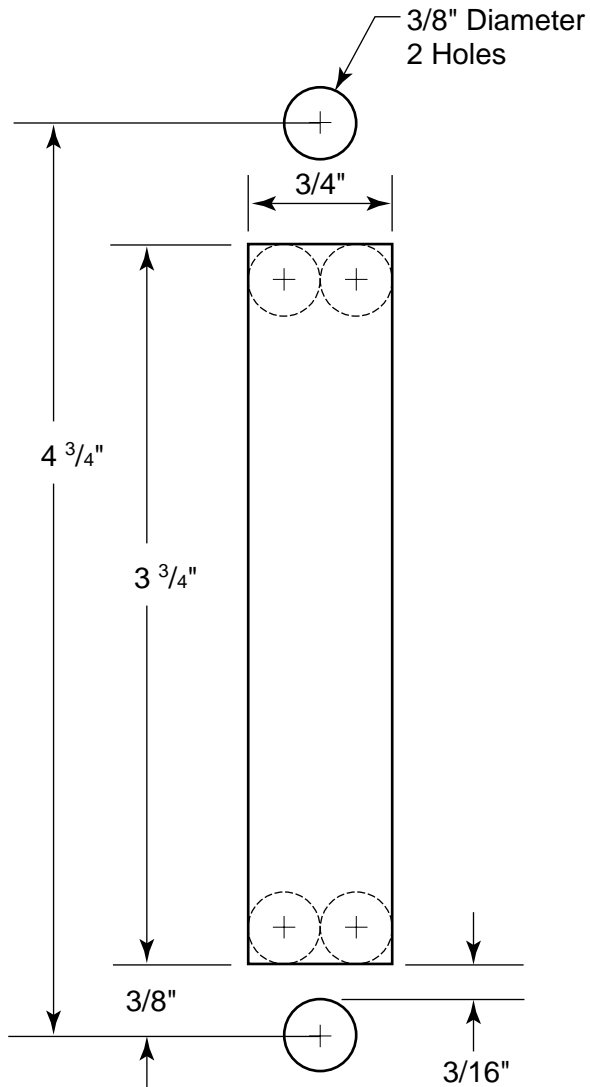
Manual variable control and automatic thermostat variable control. A blower will increase air flow to maximize heat distribution.

CLEANING KIT - CCK (Not Shown)

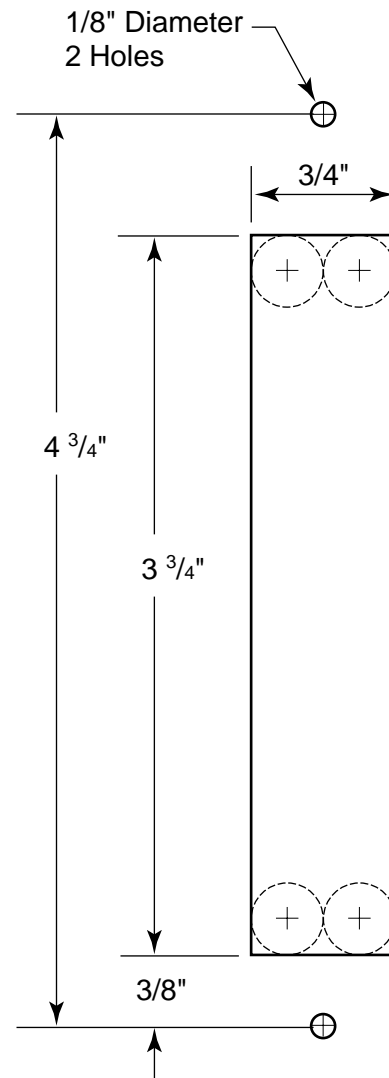
Your vent-free gas appliance requires regular cleaning and maintenance to prevent performance problems. This kit gives you the tools and instructions to make it easy to clean all critical areas of your appliance.

OWNER'S MANUAL

CUT HERE



Template 1 - Relocating Wall Switch to Hollow Room Wall



Template 2 - Relocating Wall Switch to Side Wall of Mantel

Comfort Glow®

UNVENTED PROPANE/LP GAS FIREPLACE

THIS PAGE INTENTIONALLY LEFT BLANK

WARRANTY INFORMATION

KEEP THIS WARRANTY

Model _____

Serial No. _____

Date Purchased _____

Always specify model and serial numbers when communicating with the factory.

We reserve the right to amend these specifications at any time without notice. The only warranty applicable is our standard written warranty. We make no other warranty, expressed or implied.

LIMITED WARRANTY COMFORT GLOW VENT-FREE PROPANE/LP GAS FIREPLACE

DESA International warrants this product to be free from defects in materials and components for two (2) years from the date of first purchase, provided that the product has been properly installed, operated and maintained in accordance with all applicable instructions. To make a claim under this warranty the Bill of Sale or cancelled check must be presented.

This warranty is extended only to the original retail purchaser. This warranty covers the cost of part(s) required to restore this heater to proper operating condition and an allowance for labor when provided by a DESA Authorized Service Center. Warranty part(s) MUST be obtained through authorized dealers of this product and/or DESA International who will provide original factory replacement parts. Failure to use original factory replacement parts voids this warranty. The heater MUST be installed by a qualified installer in accordance with all local codes and instructions furnished with the unit.

This warranty does not apply to parts that are not in original condition because of normal wear and tear, or parts that fail or become damaged as a result of misuse, accidents, lack of proper maintenance or defects caused by improper installation. Travel, diagnostic cost, labor, transportation and any and all such other costs related to repairing a defective heater will be the responsibility of the owner.

TO THE FULL EXTENT ALLOWED BY THE LAW OF THE JURISDICTION THAT GOVERNS THE SALE OF THE PRODUCT; THIS EXPRESS WARRANTY EXCLUDES ANY AND ALL OTHER EXPRESSED WARRANTIES AND LIMITS THE DURATION OF ANY AND ALL IMPLIED WARRANTIES, INCLUDING WARRANTIES OF MERCHANTABILITY AND FITNESS FOR A PARTICULAR PURPOSE TO TWO (2) YEARS ON ALL COMPONENTS FROM THE DATE OF FIRST PURCHASE; AND DESA INTERNATIONAL'S LIABILITY IS HEREBY LIMITED TO THE PURCHASE PRICE OF THE PRODUCT AND DESA INTERNATIONAL SHALL NOT BE LIABLE FOR ANY OTHER DAMAGES WHATSOEVER INCLUDING INDIRECT, INCIDENTAL OR CONSEQUENTIAL DAMAGES.

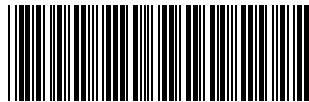
Some states do not allow a limitation on how long an implied warranty lasts or an exclusion or limitation of incidental or consequential damages, so the above limitation on implied warranties, or exclusion or limitation on damages may not apply to you.

This warranty gives you specific legal rights, and you may also have other rights that vary from state to state.

For information about this warranty write:

DESA
INTERNATIONAL

2701 Industrial Drive
P.O. Box 90004
Bowling Green, KY 42102-9004
www.desatech.com



107570 01

NOT A UPC

107570-01
Rev. C
10/00

Free Manuals Download Website

<http://myh66.com>

<http://usermanuals.us>

<http://www.somanuals.com>

<http://www.4manuals.cc>

<http://www.manual-lib.com>

<http://www.404manual.com>

<http://www.luxmanual.com>

<http://aubethermostatmanual.com>

Golf course search by state

<http://golfingnear.com>

Email search by domain

<http://emailbydomain.com>

Auto manuals search

<http://auto.somanuals.com>

TV manuals search

<http://tv.somanuals.com>