



SATURA SPOT LED PRO

sku# SAT871

FEATURES

- 300W RGBW LED Color Mixing Engine**
- Comparable Color Output to 575W Discharge Fixture**
- 12° to 38° Zoom / Prism / Iris / Focus**
- EWDMX Wireless DMX Receiver**
- Microphone for Sound Activated Programs**
- Rechargeable Backup Battery for Menu Display**
- Stand Alone Operation with Master/Slave Function**
- Software Upload via Optional External DMX Accessory**



The new Satura Spot LED PRO features a 300W RGBW color mixing engine comparable to 575W discharge fixtures currently available, 13 gobos (6 rotating, 7 static) with fast 12° to 38° zoom, 16-bit resolution on all motor functions, 3 facet rotating and indexing prism, frost filter, motorized focus, full color 180° reversible menu display with 6 button touch control panel, battery backup for display power, 3pin and 5pin DMX connections, built-in EWDMX wireless DMX receiver, and a multi-voltage universal auto switching power supply (100-240v).



ELATION | SATURA SPOT LED PRO | Product Specification Sheet

Specifications are subject to change without notice ©Elation Professional

Elation Professional USA | 6122 S. Eastern Ave. | Los Angeles, CA. 90040
323-582-3322 | 323-832-9142 fax | www.elationlighting.com | info@elationlighting.com

Elation Professional B.V. | Junostraat 2 | 6468 EW Kerkrade, Netherlands
+31 45 546 85 66 | +31 45 546 85 96 fax | www.elationlighting.eu | info@elationlighting.eu

PRODUCT SPECIFICATIONS

SOURCE

1 x 300W RGBW LED Engine
60,000 Hour Average LED Engine Life

PHOTOMETRICS

Max 5,410 LUX @5M 12° Min Zoom

EFFECTS

540°/630° Pan
245° Tilt
Frost Filter
Motorized Focus
Dimming: 0% - 100%
Motorized Iris: 5% - 100%
High Speed Mechanical Shutter / Strobe
3 Facet Rotating Prisms with 16 Prism Macros
7 Auto Program Macros

GOBOS

2 Gobo Wheels
13 Gobos (6 Rotating + 7 Static)
Size: OD 27mm / 22mm

CONTROL / CONNECTIONS

3 DMX Channel Modes (21/19/25)
3pin & 5pin DMX In/Out
6 Button Touch Control Panel
Full Color 180° Reversible LCD Menu Display
8 / 16 Bit Resolution Adjustable Movement
powerCON Power In

SIZE / WEIGHT

Length: 16.1" (410mm)
Width: 12.2" (310mm)
Vertical Height: 27.6" (701mm)
Weight: 53 lbs. (26kg)

ELECTRICAL / THERMAL

AC 100-240V - 50/60Hz
500W Power Consumption
-25°C/-13°F to 45°C/113°F

INSTALLATION / MOUNTING

Floor or Truss w/Dual Omega Brackets

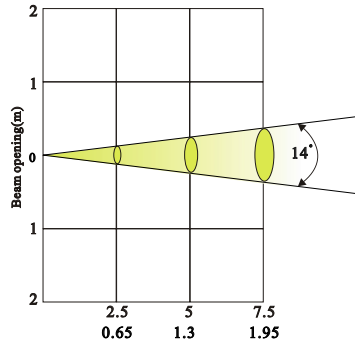
APPROVALS / RATINGS

CE Pending
cETLus Pending
IP20 Rated

PHOTOMETRIC DATA

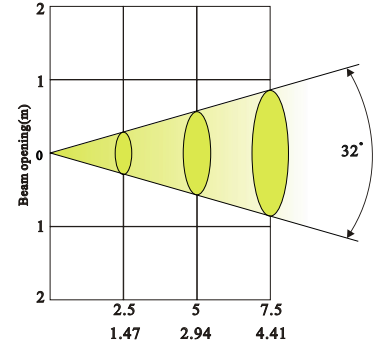
Min. Beam angle 14°

Intensity LUX	F	14780	3855	1726
	R	2480	650	274
	G	4480	173	522
	B	580	148	66
	W	8978	2345	1054



Max. Beam angle 32°

Intensity LUX	F	3411	890	410
	R	595	150	70
	G	1031	265	120
	B	130	35	15
	W	2083	540	243



COLORS & GOBOS



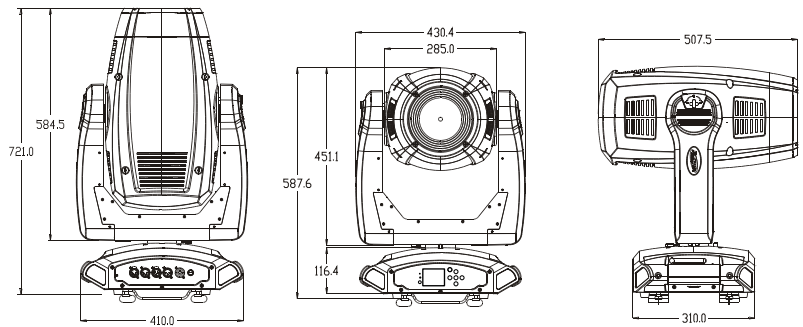
ROTATING GOBOS



STATIC GOBOS



DIMENSIONAL DIAGRAM (MM)



ACCESSORIES



EWDMMXT
Wireless DMX Transmitter



E-LOADER
Software Update Box



WPO2
IP Rated Dome



Specifications are subject to change without notice ©Elation Professional

Elation Professional USA | 6122 S. Eastern Ave. | Los Angeles, CA. 90040
323-582-3322 | 323-832-9142 fax | www.elationlighting.com | info@elationlighting.com

Elation Professional B.V. | Junostraat 2 | 6468 EW Kerkrade, Netherlands
+31 45 546 85 66 | +31 45 546 85 96 fax | www.elationlighting.eu | info@elationlighting.eu

Download from www.Somanuals.com. All Manuals Search And Download.

Free Manuals Download Website

<http://myh66.com>

<http://usermanuals.us>

<http://www.somanuals.com>

<http://www.4manuals.cc>

<http://www.manual-lib.com>

<http://www.404manual.com>

<http://www.luxmanual.com>

<http://aubethermostatmanual.com>

Golf course search by state

<http://golfingnear.com>

Email search by domain

<http://emailbydomain.com>

Auto manuals search

<http://auto.somanuals.com>

TV manuals search

<http://tv.somanuals.com>