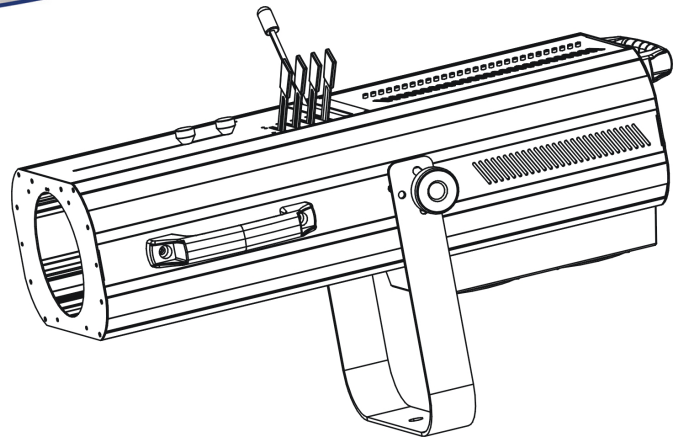




# Pro FS 1000

## PRO FOLLOWSPOT



Thank you for purchasing the Pro FS 1000 by Elation Professional. For your convenience this follow spot has been fitted with its proper lamp and is ready to be used, there is no assembly required. Please read the following instructions before installing or using your new unit.

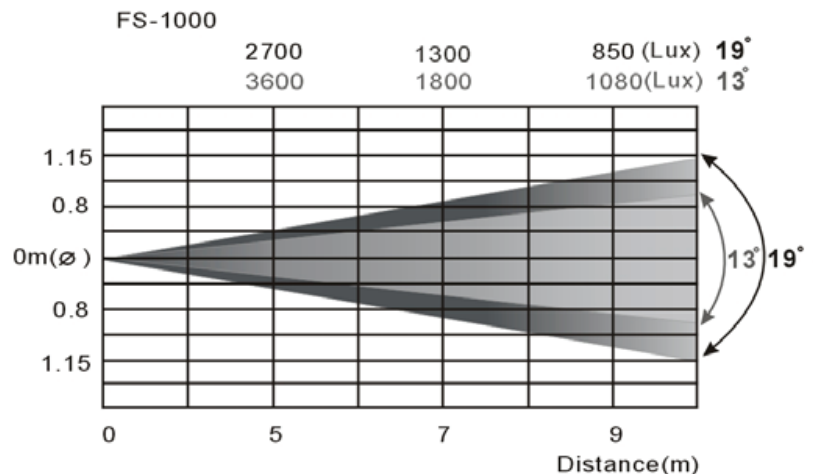
### Operating Instructions:

The Pro FS 1000 features a bright ZB EGT 1000 watt lamp, full focusing knob located on the top as well as zoom control, control levers at the top of the unit for iris adjustment, and built-in individual gel frames.

**Notice: When the unit is brand new, smoke will emit from the inside of unit. This is the paint on the inside burning off. There is no problem with the unit, this is normal.**

**To replace lamp;** Unscrew the two thumb screws located at the rear of the unit, slide out the lamp assembly, replace bulb and reassemble. **Do not forget to unplug unit before replacing bulb!**

Fuse is located underneath mains input  
For service, contact your Elation dealer.



**HALOGEN LAMP WARNING!**  
This fixture is fitted with halogen lamps which are highly susceptible to damage if improperly handled. Never touch lamp with bare fingers as the oil from your hands will shorten lamp life. Also, never move fixture until lamp has had ample time to cool. Remember, lamps are not covered under warranty conditions.

**Caution!** Always disconnect from main power before replacing lamps or servicing unit. Remember to always replace with same lamps and fuses.

**CAUTION! WARNING!** The top of unit gets extremely hot, watch where you rest your hands, or objects that can melt or burn.

## Model: Pro FS 1000

### SPECIFICATIONS:

Lamp:	ZB EGT 120V 1000W
Power:	120V/60Hz ~ 230V/50Hz
Breaker :	15 Amp
Ventilation:	Fan Cooling
Working Position:	Any
Weight:	26.5 lbs./ 12Kgs
Size:	27.5" x 10" x 6.75"

**Customer Support:** ©Elation® provides a customer support line, to provide help and to answer any question should you encounter problems during your set up or initial operation. You may also visit us on the web at [www.elationlighting.com](http://www.elationlighting.com) for any comments or suggestions. Service Hours are Monday through Friday 9:00 a.m. to 5:00 p.m. Pacific Standard Time.

Voice: (323) 582-3322  
Fax: (323) 832-9142  
E-mail: [support@elationlighting.com](mailto:support@elationlighting.com)

**Warning!** To prevent or reduce the risk of electrical shock or fire, do not expose this unit to rain or moisture.

**Caution!** There are no user serviceable parts inside this unit. Do not attempt any repairs yourself, doing so will void your manufactures warranty. In the unlikely event your unit may require service please contact ©Elation®.

#### 2-YEAR LIMITED WARRANTY

A. Elation Professionals® hereby warrants, to the original purchaser, Elation Professionals® products to be free of manufacturing defects in material and workmanship for a period of two years (730 days) from the date of purchase. This warranty shall be valid only if the product is purchased within the United States of America, including possessions and territories. It is the owner's responsibility to establish the date and place of purchase by acceptable evidence, at the time service is sought.

B. For warranty service, send the product only to the Elation Professionals® factory. All shipping charges must be pre-paid. If the requested repairs or service (including parts replacement) are within the terms of this warranty, Elation Professionals® will pay return shipping charges only to a designated point within the United States. If the entire instrument is sent, it must be shipped in its original package. No accessories should be shipped with the product. If any accessories are shipped with the product, Elation Professionals® shall have no liability whatsoever for loss of or damage to any such accessories, nor for the safe return thereof.

C. This warranty is void if the serial number has been altered or removed; if the product is modified in any manner which Elation Professionals® concludes, after inspection, affects the reliability of the product; if the product has been repaired or serviced by anyone other than the Elation Professionals® factory unless prior written authorization was issued to purchaser by Elation Professionals®; if the product is damaged because not properly maintained as set forth in the instruction manual.

D. This is not a service contract, and this warranty does not include maintenance, cleaning or periodic check-up. During the period specified above, Elation Professionals® will replace defective parts at its expense, and will absorb all expenses for warranty service and repair labor by reason of defects in material or workmanship. The sole responsibility of Elation Professionals® under this warranty shall be limited to the repair of the product, or replacement thereof, including parts, at the sole discretion of Elation Professionals®. All products covered by this warranty were manufactured after January 1, 1990, and bear identifying marks to that effect.

E. Elation Professionals® reserves the right to make changes in design and/or improvements upon its products without any obligation to include these changes in any products theretofore manufactured.

F. No warranty, whether expressed or implied, is given or made with respect to any accessory supplied with products described above. Except to the extent prohibited by applicable law, all implied warranties made by Elation Professionals® in connection with this product, including warranties of merchantability or fitness, are limited in duration to the warranty period set forth above. And no warranties, whether expressed or implied, including warranties of merchantability or fitness, shall apply to this product after said period has expired. The consumer's and or Dealer's sole remedy shall be such repair or replacement as is expressly provided above; and under no circumstances shall Elation Professionals® be liable for any loss or damage, direct or consequential, arising out of the use of, or inability to use, this product.

G. This warranty is the only written warranty applicable to Elation Professionals® Products and supersedes all prior warranties and written descriptions of warranty terms and conditions heretofore published.

©Elation Professional®

A Division of the AmericanDJ® Group of Companies

World Headquarters:

6122 S. Eastern Ave. Los Angeles, CA 90040 USA

Tel: 323-582-3322 Fax: 323-832-9142

Web: [www.elationlighting.com](http://www.elationlighting.com) E-mail: [info@elationlighting.com](mailto:info@elationlighting.com)

## Free Manuals Download Website

<http://myh66.com>

<http://usermanuals.us>

<http://www.somanuals.com>

<http://www.4manuals.cc>

<http://www.manual-lib.com>

<http://www.404manual.com>

<http://www.luxmanual.com>

<http://aubethermostatmanual.com>

Golf course search by state

<http://golfingnear.com>

Email search by domain

<http://emailbydomain.com>

Auto manuals search

<http://auto.somanuals.com>

TV manuals search

<http://tv.somanuals.com>