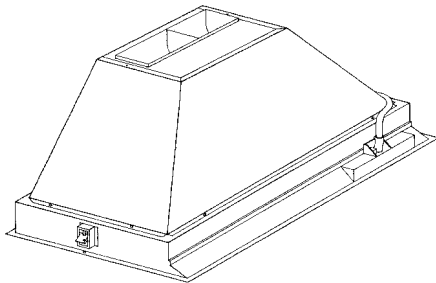




## INCA

### Power Module Rangehood

- Installation Instructions
- Use and Care Information



#### READ AND SAVE THESE INSTRUCTIONS

The Installer must leave these instructions with the homeowner. The homeowner must keep these instructions for future reference and for local electrical inspectors' use.

#### READ THESE INSTRUCTIONS BEFORE YOU START INSTALLING THIS RANGEHOOD

**WARNING: - TO REDUCE THE RISK OF A RANGE TOP GREASE FIRE:** Keep fan, filters and grease laden surfaces clean. Always turn hood ON when cooking at high heat. Use high range setting on range only when necessary. Heat oil slowly on low to medium setting. Don't leave range unattended when cooking. Always use cookware and utensils appropriate for the type and amount of food being prepared.

**WARNING: - TO REDUCE THE RISK OF INJURY TO PERSONS IN THE EVENT OF A RANGE TOP GREASE FIRE, OBSERVE THE FOLLOWING:** SMOTHER FLAMES with a close-fitting lid, cookie sheet, or metal tray, then turn off the burner. BE CAREFUL TO PREVENT BURNS. If the flames do not go out immediately EVACUATE AND CALL THE FIRE DEPARTMENT. NEVER PICK UP A FLAMING PAN - You may be burned. DO NOT USE WATER, including wet dishcloths or towels - a violent steam explosion will result. Use an extinguisher ONLY if: 1. You know you have a Class ABC extinguisher, and you already know how to operate it. 2. The fire is small and contained in the area where it started. 3. The fire department is being called. 4. You can fight the fire with your back to an exit.

ALL WALL AND FLOOR OPENINGS WHERE THE RANGEHOOD IS INSTALLED MUST BE SEALED.

This rangehood requires at least 24" of clearance between the bottom of the rangehood and the cooking surface or countertop. Overhead cabinets on both sides of this unit must be a minimum of 18" above the cooking surface or countertop. Consult the cooktop or range installation instructions given by the manufacturer before making any cutouts. MOBILE HOME INSTALLATION The installation of this rangehood must conform to the Manufactured Home Construction and Safety Standards, Title 24 CFR, Part 3280 (formerly Federal Standard for Mobile Home Construction and Safety, Title 24, HUD, Part 280). Four wire power supply must

#### LISEZ BIEN CETTE FICHE AVANT D'INSTALLER LA HOTTE

**AVERTISSEMENT: - POUR RÉDUIRE LE RISQUE DE FEU:** Gardez le ventilateur, les filtres ainsi que toute autre superficie propre. Utilisez la hotte pour cuisson à haute température. N'utilisez le feu vif que si nécessaire. Chauffez l'huile doucement. Surveillez toujours la cuisson. Utilisez toujours des casseroles de taille convenable pour la cuisson.

**AVERTISSEMENT: - POUR PRÉVENIR LES BLESSURES EN CAS DE FEU SUIVRE LES RECOMMANDATIONS SUIVANTES:** ÉTOUFFEZ LE FEU avec un couvercle métallique et fermez le brûleur. Si le feu ne s'éteint pas tout de suite, QUITTEZ LES LIEUX ET APPELEZ LES POMPIERS. NE TOUCHEZ JAMAIS UNE CASSEROLE EN FLAMMES. N'UTILISEZ JAMAIS DE L'EAU ou un torchon mouillé pour éteindre le feu - ce qui pourrait causer une explosion de vapeur. N'utilisez un extincteur que si: 1. Vous avez un modèle ABC et vous connaissez bien son mode d'emploi. 2. Le feu est petit et peu répandu. 3. Les pompiers sont déjà prévenus. 4. Vous avez une sortie derrière vous.

TOUTE OUVERTURE DANS LE MUR OU LE PLANCHER À PROXIMITÉ DE LA HOTTE DOIT ÊTRE SCELLÉ

Gardez 24 po. de hauteur entre le bas de la hotte et la surface de cuisson. Les armoires au-dessus ne dépasseront pas 13 po. de profondeur. Les armoires au-dessus de chaque côté devront être au moins à 18 po. au-dessus de la surface de cuisson. Consultez la fiche technique avant de découper les armoires. L'installation de cette hotte doit être conforme aux Règlements de Manufactured Home Construction and Safety Standards, titre 24 CFR, Section 3280 (anciennement Federal Standard for Mobile Home Construction and Safety Standards, titre 24 CFR, Section 3280 (anciennement Federal Standard for Mobile Home Construction and Safety, titre 24, HUD, Section 280). Le branchement électrique se fait avec une raccordement à 4 fils. Consultez la fiche technique électrique.

## VENTING REQUIREMENTS

Determine which venting method is best for your application. Ductwork can extend either through the wall or the roof.

The length of the ductwork and the number of elbows should be kept to a minimum to provide efficient performance. The size of the ductwork should be uniform. Do not install two elbows together. Use duct tape to seal all joints in the ductwork system. Use caulking to seal exterior wall or floor opening around the cap.

Flexible ductwork is not recommended. If it is used, each foot of flexible ductwork used is equivalent to two feet of straight metal ductwork when calculating the ductrun length. Thus, a flexible elbow equals two standard elbows.

Make sure there is proper clearance within the wall or floor for exhaust duct before making cutouts. Do not cut a joist or stud unless absolutely necessary. If a joist or stud must be cut, then a supporting frame must be constructed.

**WARNING - To Reduce The Risk Of Fire, Use Only Metal Ductwork.**



## WARNING

- Venting system **MUST** terminate outside the home.
- **DO NOT** terminate the ductwork in an attic or other enclosed space.
- **DO NOT** use 4" laundry-type wall caps.
- Flexible-type ductwork is not recommended.
- **DO NOT** obstruct the flow of combustion and ventilation air.
- Failure to follow venting requirements may result in a fire.

## ELECTRICAL REQUIREMENTS

A 120 volt, 60 Hz AC-only electrical supply is required on a separate 15 amp circuit, fused on both sides of the line. A time-delay fuse or circuit breaker is recommended. The fuse must be sized per local codes in accordance with the electrical rating of this unit as specified on the serial/rating plate located inside the unit near the field wiring compartment. **THIS UNIT MUST BE CONNECTED WITH COPPER WIRE ONLY.** Wire sizes must conform to the requirements of the National Electrical Code, ANSI/NFPA 70 - latest edition, and all local codes and ordinances. Wire size and connections must conform with the rating of the appliance. Copies of the standard listed above may be obtained from:

National Fire Protection Association  
Batterymarch Park  
Quincy, Massachusetts 02269

This appliance should be connected directly to the fused disconnect (or circuit breaker) through flexible, armored or nonmetallic sheathed copper cable. Allow some slack in the cable so the appliance can be moved if servicing is ever necessary. A UL Listed, 1/2" conduit connector must be provided at each end of the power supply cable (at the appliance and at the junction box).

When making the electrical connection, cut a 1 1/4" hole in the wall. A hole cut through wood must be sanded until smooth. A hole through metal must have a grommet.

**WARNING - TO REDUCE THE RISK OF FIRE, ELECTRICAL SHOCK, OR INJURY TO PERSONS, OBSERVE THE FOLLOWING: Use this unit only in the manner intended by the manufacturer. If you have any questions, contact the manufacturer. Before servicing or cleaning unit, switch off power at service panel and lock service panel to prevent power from being switched on accidentally. When the service disconnecting means cannot be locked, securely fasten a prominent warning device, such as a tag, to the service panel.**

**Installation Work And Electrical Wiring Must Be Done By Qualified Person(s) In Accordance With All Applicable Codes And Standards, Including Fire-Rated Construction. When cutting or drilling into wall or ceiling, do not damage electrical wiring and other hidden utilities. Ducted fans must always be vented to the outdoors.**

**Sufficient air is needed for proper combustion and exhausting of gases through the flue (chimney) of fuel burning equipment to prevent backdrafting. Follow the heating equipment manufacturer's guideline and safety standards such as those published by the National Fire Protection Association (NFPA), and the American Society for Heating, Refrigeration and Air Conditioning Engineers (ASHRAE), and the local code authorities.**

**CAUTION: For General Ventilating Use Only. Do Not Use To Exhaust Hazardous or Explosive Materials and Vapors.**



## WARNING

- Electrical ground is required on this rangehood.
- If cold water pipe is interrupted by plastic, nonmetallic gaskets or other materials, **DO NOT** use for grounding.
- **DO NOT** ground to a gas pipe.
- **DO NOT** have a fuse in the neutral or grounding circuit. A fuse in the neutral or grounding circuit could result in electrical shock.
- Check with a qualified electrician if you are in doubt as to whether the rangehood is properly grounded.
- **DO NOT** use this appliance with any solid state fan speed control device.
- Failure to follow electrical requirements may result in a fire.

## RÈGLEMENTS D'ÉVACUATION

Confirmer la sortie d'évacuation - soit par le mur, soit par le toit.

Utilisez une longueur de tuyauterie minimale avec les moindres de coudes pour la plus grande efficacité. Le diamètre de tuyauterie doit être uniforme. N'installez jamais 2 coudes ensemble. Scellez bien tous les joints avec un ruban adhésif métallique à l'intérieur et scellez bien le clapet extérieur avec du calfeutrage.

Utilisez un tuyau d'évacuation rigide lorsque possible. Un tuyau flexible égale deux fois plus qu'un tuyau rigide, ce qui réduit la puissance d'évacuation.

Veillez à ce que l'espace pour le tuyau soit ample - ainsi on n'aurait pas besoin de découper les supports de mur intérieur. Si ce découpage est nécessaire, veillez bien à ce qu'un renforcement soit mis en place.

**AVERTISSEMENT - Pour Ne Pas Risquer Un Feu, Utilisez Seulement Les Matériaux Métalliques.**



### AVERTISSEMENT

- Le système d'évacuation DOIT sortir à l'extérieur.
- N'ÉVACUEZ PAS le conduit soit dans une mansarde soit dans un espace enfermé.
- N'UTILISEZ PAS un clapet de séchoir à 4 pouces.
- N'utilisez pas un conduit flexible.
- N'ENCOMBREZ PAS la circulation d'air.
- Faute de suivre cet avertissement pourrait occasionner un feu.

## FICHE TECHNIQUE ÉLECTRIQUE

Le raccordement électrique doit se faire avec un circuit séparé de 15 ampères (fusible de chaque côté) à 120V, 60 Hz, courant alternatif. On recommande un coupe-circuit. La taille du fusible doit se conformer aux codes municipaux suivant la spécification électrique sur la plaque intérieure. Le diamètre du fil devra aussi se conformer aux règlements du code national électrique, ANSI/NFPA 70 - ainsi qu'aux règlements locaux et les spécifications de cet appareil. On peut obtenir ces informations chez:

l'Association Nationale de la Prévention du Feu  
Batterymarch Park  
Quincy, Massachusetts 02269

Raccordez cet appareil directement au coupe-circuit avec un fil flexible couvert en cuivre en laissant un peu de lâchement dans le fil pour permettre le déplacement de l'appareil. Veillez à ce qu'un contact d'un demi-pouce (1/2 po.) soit installé à chaque bout de fil (soit à l'appareil ainsi qu'à la boîte à fusible).

Faites un trou de 1 1/4 po. dans le mur. S'il s'agit d'un trou en bois - sablez-le bien, tandis qu'un trou passant par le métal demande un bouche-trou.

**AVERTISSEMENT - POUR RÉDUIRE LE RISQUE DE FEU OU UNE SECOUSSE ÉLECTRIQUE: Suivez les recommandations du fabricant et entre en communication avec lui pour toute information. Fermez le courant avant tout entretien et veillez à ce qu'il reste fermé. Si on ne peut pas verrouiller le panneaux du service électrique, affichez un avis de danger sur la porte.**

**L'installation Et Le Raccordement Electrique Doivent Se Faire Par Un Technicien Qualifié Selon Tous Les Codes Municipaux. En perçant un mur veillez à ne pas perforer un autre fil électrique. Une hotte à évacuation extérieure doit être raccordée à l'extérieur. Si elle est à installer au-dessus d'une baignoire ou une douche, prévoir à ce qu'elle soit conforme à cet usage.**

**Afin d'obtenir un rendement maximal en ce qui a trait à la combustion ainsi qu'à l'évacuation des gaz par la conduite de cheminée, une bonne aération est nécessaire pour tous les appareils à combustion. Suivez les conseils et mesures de sécurité du fournisseur tels que ceux publiés par l'Association Nationale de la Sauvegarde contre l'Incendie et l'Association Américaine d'Ingénieurs de Chauffage, Frigorifaction et Air Climatisé ainsi que les codes municipaux.**

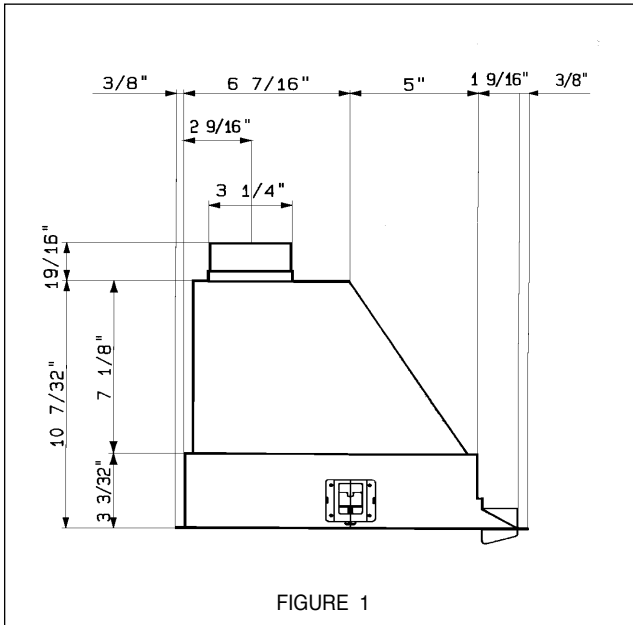
**AVIS: Pour L'évacuation Générale - Veillez à Ne Pas Evacuer Des Matériaux Ou Vapeurs Explosif.**



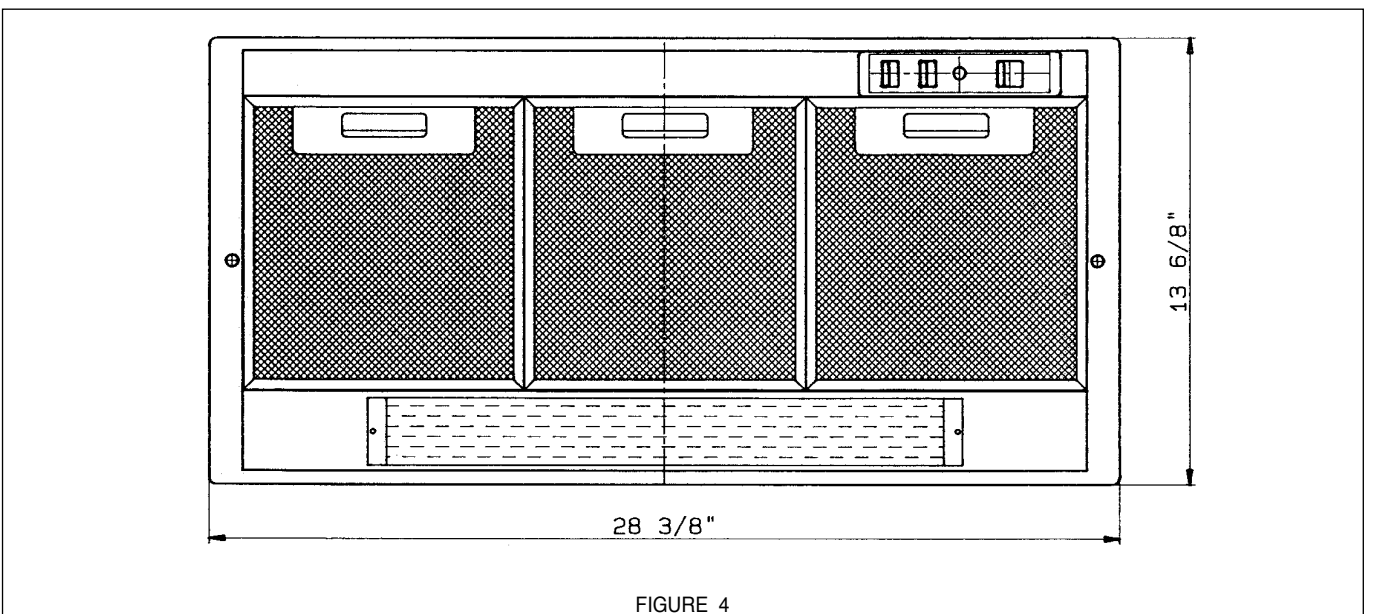
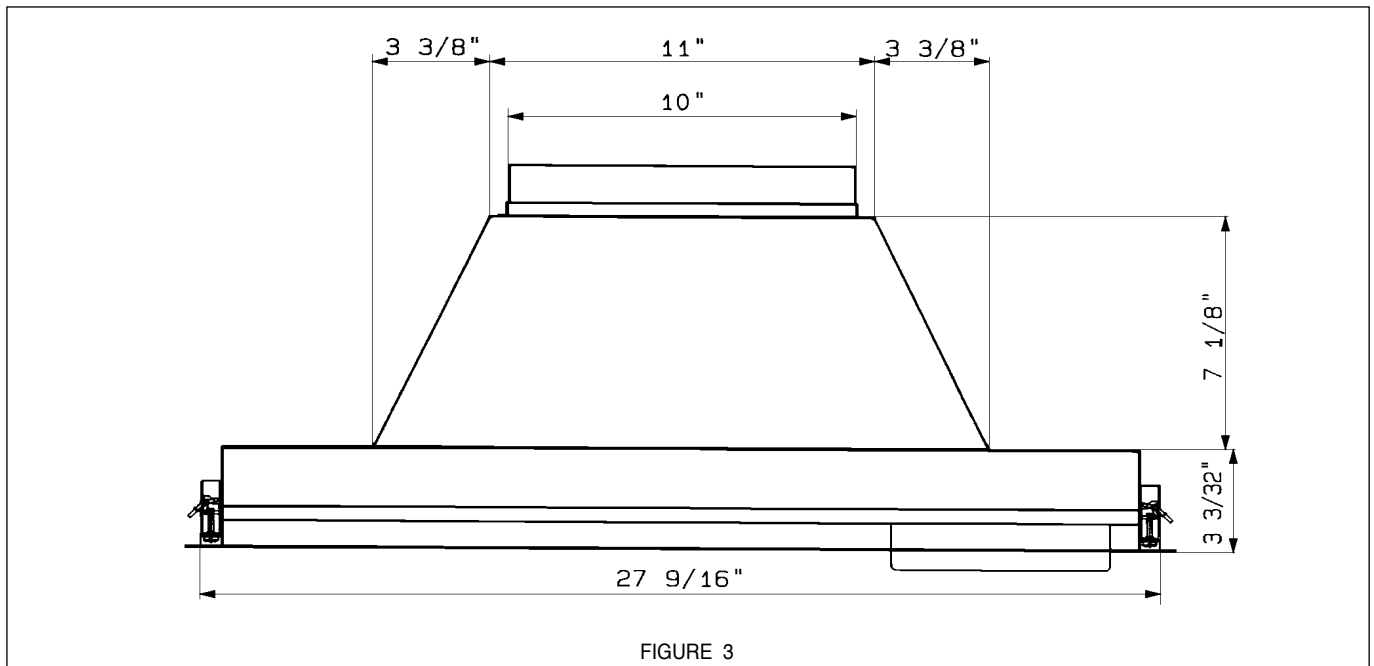
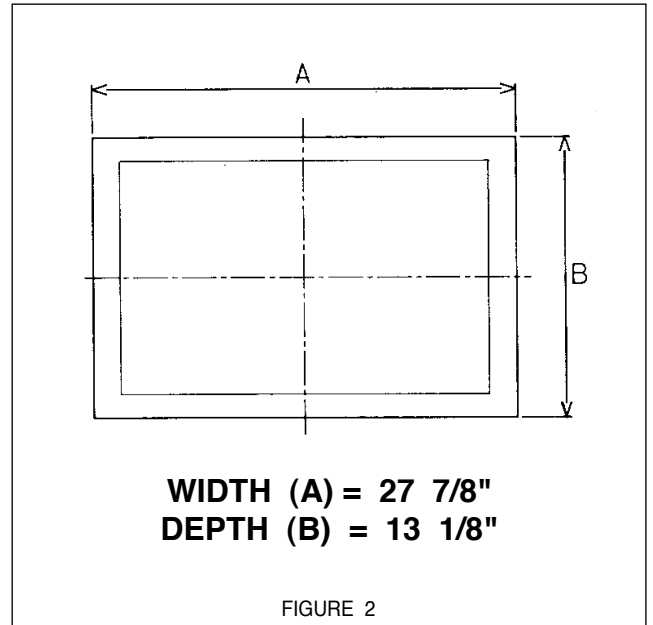
### AVERTISSEMENT

- Une prise à terre est nécessaire pour cette hotte.
- N'utilisez pas un tuyau à l'eau froide pour la mise à terre s'il est branché à un joint plastique, non-métallique ou autre.
- NE JOIGNEZ PAS la mise à terre à conduit de gaz.
- N'INSTALLEZ PAS un fusible dans le circuit de mise à terre - ce qui peut causer une secousse électrique.
- Vérifiez avec un électricien certifié à ce que la hotte soit bien mise à terre.
- Faute de suivre ces recommandations pourrait occasionner un feu.

**RANGEHOOD DIMENSIONS**



**CUTOUT DIMENSIONS**



## TOOLS NEEDED FOR INSTALLATION

- Saber Saw or Jig Saw
- Drill
- 1 1/4" Wood Drill Bit
- Pliers
- Phillips Screwdriver
- Flat Blade Screwdriver
- Wire Stripper or Utility Knife
- Metal Snips
- Measuring Tape or Ruler
- Level
- Pencil
- Caulking Gun
- Duct Tape

## PARTS SUPPLIED FOR INSTALLATION

- 1 Backdraft Damper
- 2 Screws
- 1 Literature Package

## PARTS NEEDED FOR INSTALLATION

- 2 Conduit Connectors
- Power Supply Cable
- 1 Wall or Roof Cap
- All Metal Ductwork

## CALCULATE THE DUCTRUN LENGTH

The length of the ductrun should not exceed the 26 equivalent feet. The equivalent length is calculated by adding the actual straight length of duct to the equivalent feet of elbows and wall caps. Calculate the length of the ductwork by adding the equivalent feet listed in FIGURE 5 for each piece of duct in the complete system. FIGURE 6 gives an example of how to calculate the equivalent length.

For best results, use no more than three 90° elbows. Make sure that there is a minimum of 24" of straight duct between elbows if more than one is used. Do not install two elbows together.

45° Elbow	7.0 feet	9 Feet Straight Duct	9.0 feet
90° Elbow	5.0 feet	2 - 90° Elbows	10.0 feet
90° Flat Elbow	12.0 feet	Wall Cap	0.0 feet
Wall Cap	0.0 feet	Total System	19.0 feet

FIGURE 5

FIGURE 6

## PREPARE THE WALL

1. Disconnect and move freestanding range from cabinet opening to provide easier access to upper cabinet and rear wall. Put a thick, protective covering over cooktop, set-in range or countertop to protect from damage or dirt.
2. Determine and clearly mark with a pencil the center line on the cabinet where the rangehood will be installed.
3. Determine and make all necessary cuts in the wall for the ductwork. Install the ductwork before the rangehood.
4. Determine the proper location for the Power Supply Cable. Use a 1 & 1/4" Drill Bit to make this hole. Install the cable. Use caulking to seal around the hole. DO NOT turn on the power until installation is complete.

## RECIRCULATING INSTALLATIONS

For recirculating installations, filter kit 6093037 is necessary. The charcoal filter must be inserted behind the grease filters. Recirculating installations also require some duct work to divert the air out of the cabinet. The duct work must not terminate inside the cabinet.

## INSTALL THE RANGEHOOD

1. Remove the rangehood from the carton and place on a flat surface. Cover the surface to prevent accidental damage. Remove all parts including the backdraft damper, 2 screws, and literature package before discarding the carton.

2. Remove the grease filters from the rangehood and set aside. The grease filters are removed by pressing the handle of the filter as indicated in FIGURE 7. When replacing, make sure that the filters are properly positioned with the handles in front and visible.

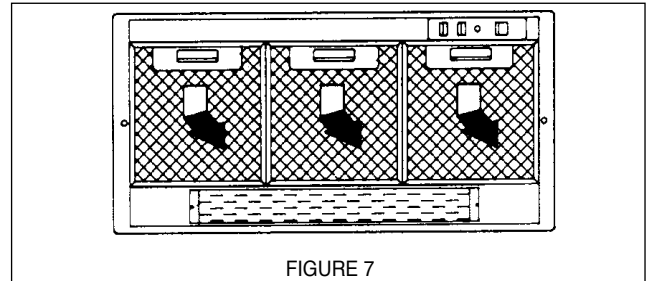


FIGURE 7

3. Remove the cover from the field wiring compartment. Remove the wiring electrical knockout using a flat-blade screwdriver. Feed the Power Supply Cable through the electrical knockout.

4. Attach the damper to the exhaust opening of the rangehood. Two small phillips screws are provided to attach the damper.

5. The rangehood mounts to the cabinet by two spring loaded brackets, one on each side of the rangehood. Lift the rangehood into the cutout opening in the cabinet. Be careful not to damage the cabinet, rangehood or other appliances.

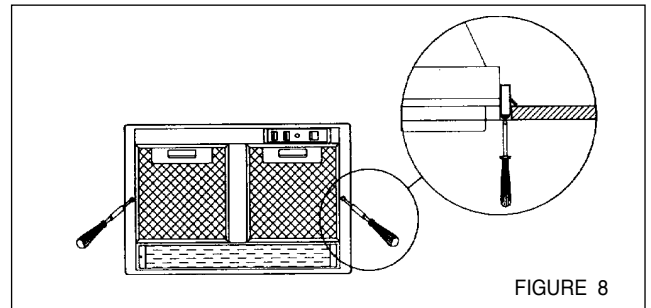


FIGURE 8

6. Tighten the rangehood to the cabinet by rotating the screws indicated in FIGURE 8 with a flat blade screw driver.

7. Connect the Power Supply Cable to the rangehood. Attach the White lead of the power supply to the White lead of the rangehood with a twist-on type wire connector. Attach the Black lead of the power supply to the Black lead of the rangehood with a twist-on type wire connector. Connect the Green ( Green and Yellow ) ground wire under the Green grounding screw.

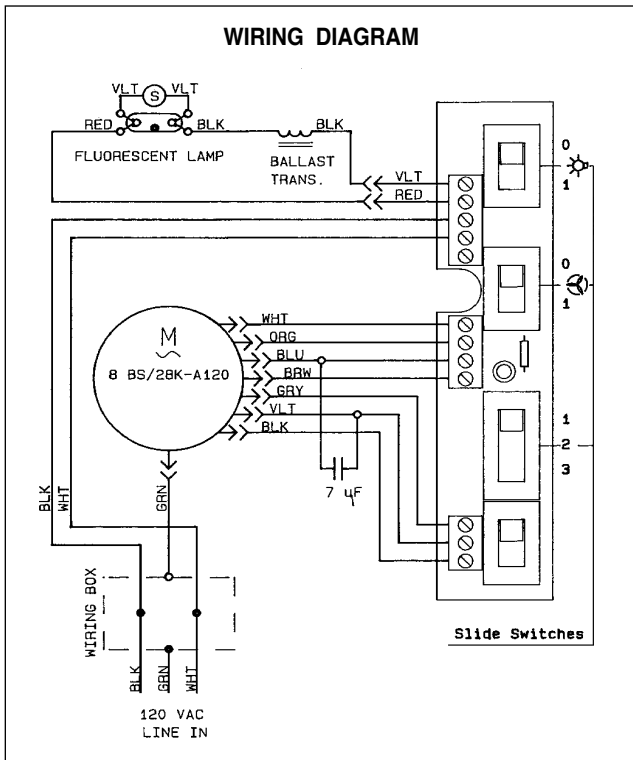
8. Replace the field wiring compartment cover and grease filters.

9. Connect the ductwork to the damper and seal all connections with duct tape.

10. Turn the power supply on. Turn on the blower and light. If the rangehood does not operate, check that the circuit breaker is not tripped or the house fuse blown. If the unit still does not operate, disconnect the power supply and check that the wiring connections have been made properly.

## WARRANTY & SERVICE

This rangehood carries a limited warranty against manufacturer's defects. To obtain warranty service, contact the dealer from whom you purchased the rangehood, or the local Faber distributor. If you cannot identify a local Faber distributor, contact Faber USA at (508) 358-5353 for the name of a distributor in your area.



- This rangehood uses Fluorescent Lamp Type F33-15W-T8 and Starter Type S2.

## USE AND CARE INFORMATION

This rangehood system is designed to remove smoke, cooking vapors and odors from the cooktop area.

### Rangehood Control Panel

The control panel, located on the right-hand side under the canopy. The position and function of each control button is indicated in FIGURE 9.

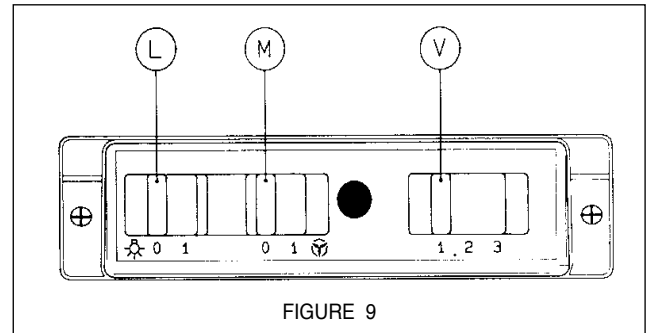


FIGURE 9

#### Light On/Off Button ( L )

On/Off switch for the fluorescent light. Move the switch to "1" to turn the light ON and to "0" to turn it OFF.

#### Blower On/Off Button ( M )

On/Off switch for the blower. Move the switch to "1" to turn the blower ON and to "0" to turn it OFF.

#### Blower Speed Button ( V )

Set the blower speed control to "1" for LOW speed, "2" for MEDIUM speed and "3" for HIGH speed.

#### For Best Results

Start the rangehood before cooking and allow the unit to operate for several minutes after cooking is complete to clear all smoke and odors from the kitchen.

#### Cleaning

The metal grease filters should be cleaned frequently in hot detergent solution or washed in the dishwasher. Clean exterior surfaces with hot soapy water. Abrasives and scouring agents can scratch stainless steel finishes and should not be used to clean finished surfaces.

#### Replacing the Fluorescent Light

To replace the fluorescent light, remove the retainer clips (T) from both ends of the glass diffuser as indicated in FIGURE 10. Carefully slide the glass all the way to one end. Lower the opposite end of the glass below the support flange (L), then remove the glass by sliding it back. Replace the diffuser glass by reversing these directions.

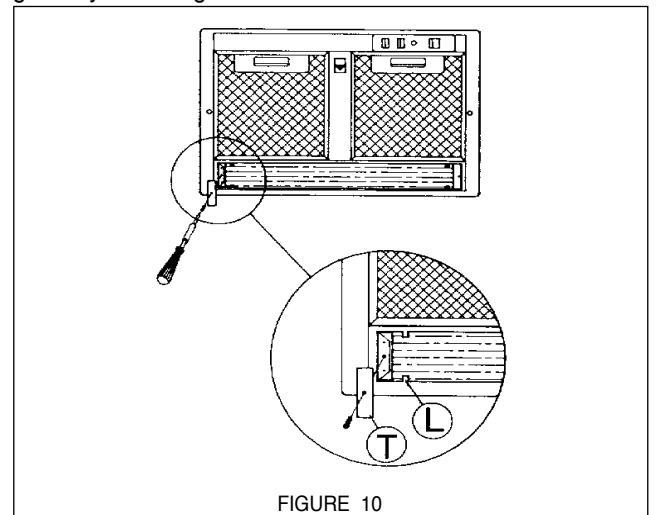


FIGURE 10

**DIMENSIONS DE LA HOTTE**

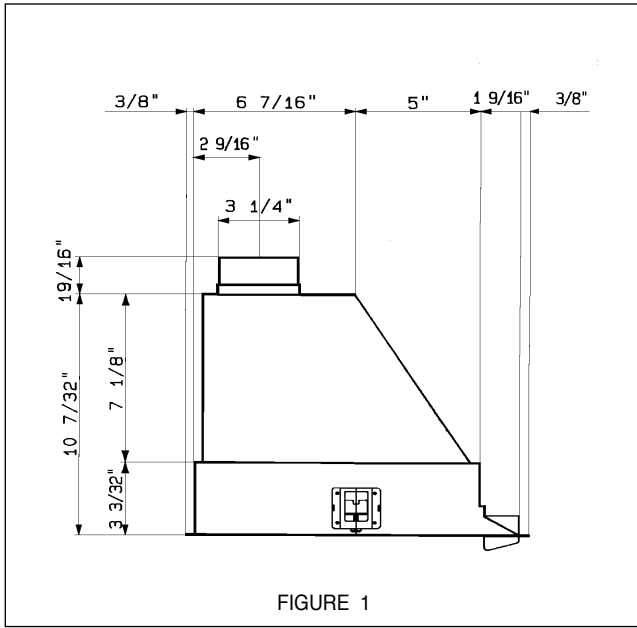


FIGURE 1

**DIMENSIONS DE LA COUPE**

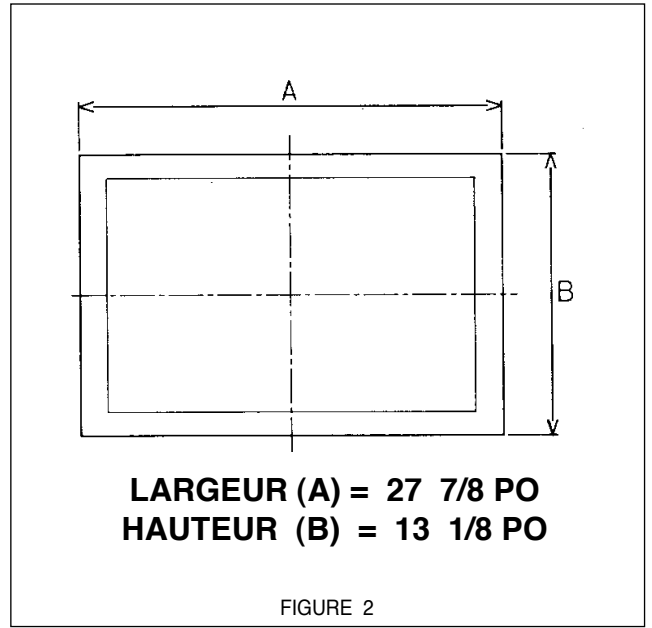


FIGURE 2

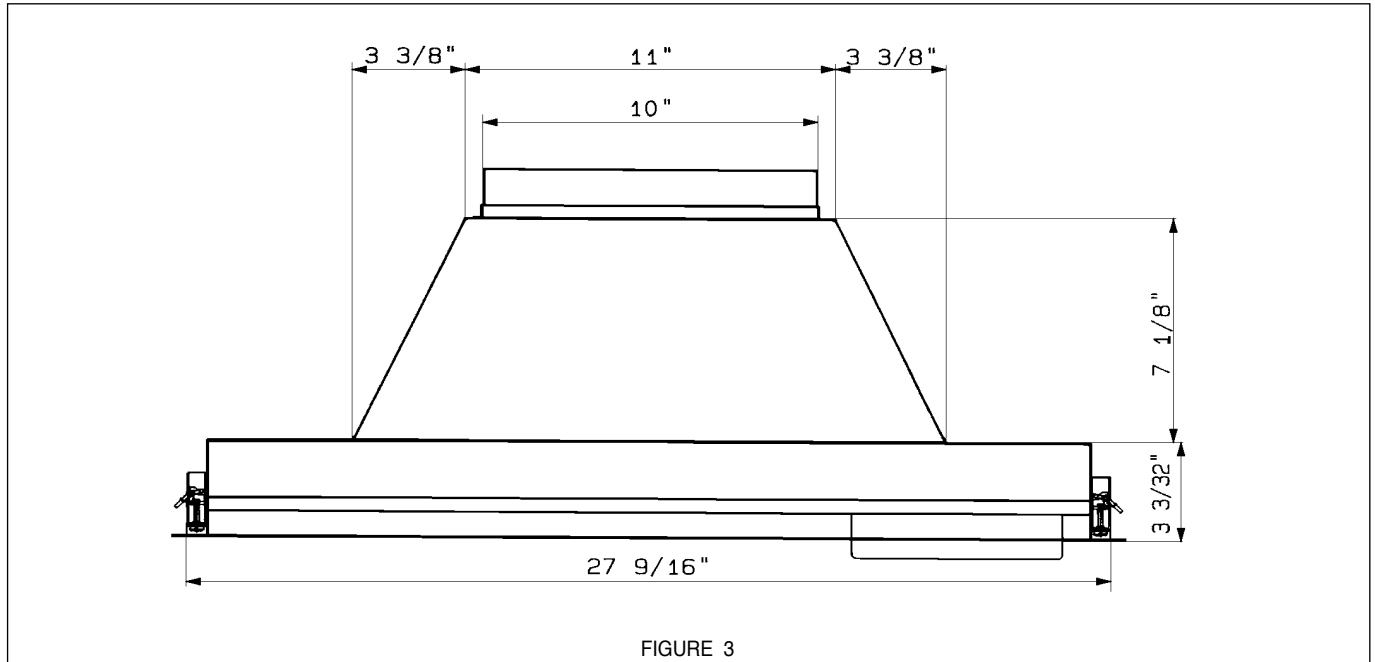


FIGURE 3

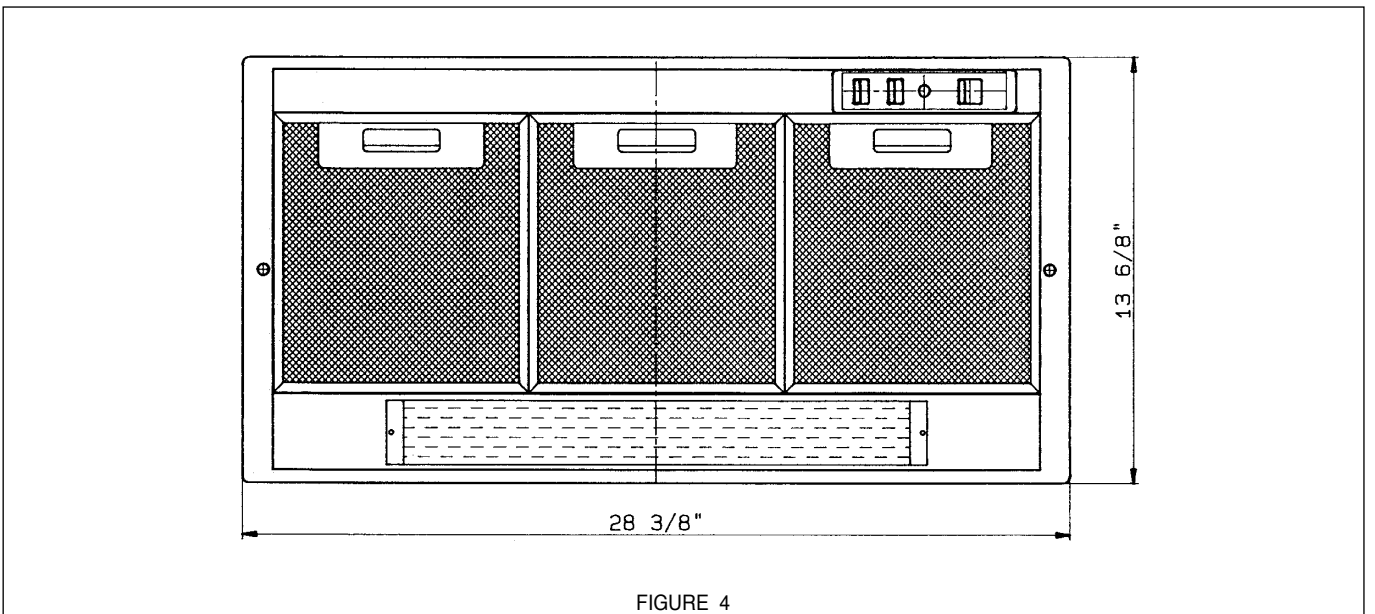


FIGURE 4

## OUTILS NÉCESSAIRES À L'INSTALLATION

- Scie sauteuse ou à découper
- Perceuse
- Mèche à bois 1 1/4 po
- Pincettes
- Tournevis Phillips
- Tournevis à lame plate
- Dénudeur ou couteau tout usage
- Pince coupante à fil métallique
- Ruban à mesurer ou règle
- Niveau
- Crayon
- Outil à calfeutrage
- Ruban à conduit

## PIÈCES FOURNIES POUR L'INSTALLATION

- 1 registre à clapet
- 2 vis
- 1 nécessaire de documentation

## PIÈCES NÉCESSAIRES POUR L'INSTALLATION

- 2 connecteurs de conduit
- Câble d'alimentation
- 1 capuchon de mur ou de toit
- Conduit en métal

## CALCUL DE LONGUEUR DU CONDUIT

La longueur du conduit ne doit jamais excéder 26 pi équivalents. La longueur en équivalent est calculée en ajoutant la longueur de conduit droit à l'équivalent en pied des coudes et des capuchons. Calculer la longueur du conduit en ajoutant l'équivalent en pied à la FIGURE 5 pour chaque pièce du conduit du système. Un exemple est donné à la FIGURE 6.

Pour de meilleurs résultats, ne pas utiliser plus de trois coudes de 90°. S'assurer qu'il y a un minimum de 24 po de conduit droit entre les coudes si l'on utilise plus d'un coude. Ne pas installer deux coudes ensemble.

Coude 45°	7,0 pi	9 pi de conduit droit	9,0 pi
Coude 90°	5,0 pi	2 Coudes 90°	10,0 pi
Coude Plat 90°	12,0 pi	Capuchon de mur	0,0 pi
Capuchon de mur	0,0 pi	Système total	19,0 pi

FIGURE 5

FIGURE 6

## INSTALLATION POUR RECIRCULATION D'AIR

Un nécessaire de filtre 6093037 est requis pour ce type d'installation. Les filtres au charbon doivent être insérés derrière les filtres pour la graisse. Installation pour recirculation d'air requis conduit pour diverter l'air à l'extérieur de l'armoire. Ne la conduit terminez pas dans l'armoire.

## PRÉPARATION DU MUR

1. Débrancher et enlever la cuisinière afin d'avoir un meilleur accès aux armoires supérieures et au mur arrière. Placer un recouvrement épais sur la plaque de cuisson, la cuisinière encastrée ou le dessus du comptoir pour protéger des dommages et de la poussière.
2. Déterminer et marquer clairement, à l'aide d'un crayon, la ligne centrale sur le mur où la hotte sera installée.
3. Déterminer et faire toutes les coupes nécessaires dans le mur pour les conduits. Installer les conduits avant la hotte.
4. Déterminer l'emplacement approprié pour le câble d'alimentation. Utiliser une mèche de 1 1/4 po pour faire un trou et y passer le câble d'alimentation. Utiliser du calfeutrage pour sceller tout autour du trou. NE PAS mettre en circuit tant que l'installation n'est pas complétée.

## INSTALLATION DE LA HOTTE

1. Retirer l'appareil de la boîte et le déposer sur une surface plate. Couvrir la surface pour éviter tout dommage. Retirer toutes les pièces incluant le registre à clapet, 2 vis, et le nécessaire de documentation avant de jeter la boîte.
2. Retirer les filtres pour la graisse de l'appareil et mettre de côté. Retirer les filtres pour la graisse en pressant sur la poignée à l'avant du filtre, tel qu'il est illustré à la FIGURE 7. Au moment de les replacer, s'assurer que les filtres soient positionnés adéquatement, la poignée vers l'avant et visible.

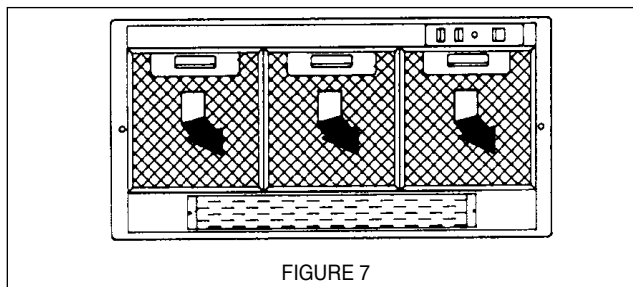


FIGURE 7

3. Retirer le couvercle du compartiment de filage. Retirer la pastille enfonçable de la boîte électrique à l'aide d'un tournevis à lame plate. Passer le câble d'alimentation dans la pastille enfonçable.
4. Attacher le registre à l'ouverture d'échappement de la hotte. Deux petites vis Phillips sont fournies pour fixer le registre.
5. Installer la hotte sur l'armoire à l'aide de deux fixations à ressort, une de chaque côté de la hotte. Placer la hotte dans l'ouverture pratiquée dans l'armoire. Attention de ne pas endommager l'armoire, la hotte ou d'autres appareils.
6. Resserer les vis à l'aide d'un tournevis à lame plate pour fixer la hotte à l'armoire de façon sécuritaire, tel qu'il est indiqué à la FIGURE 8.

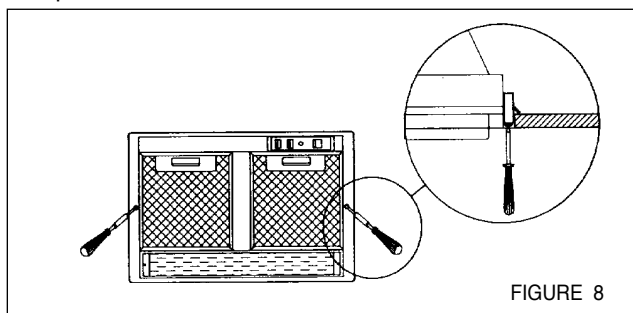


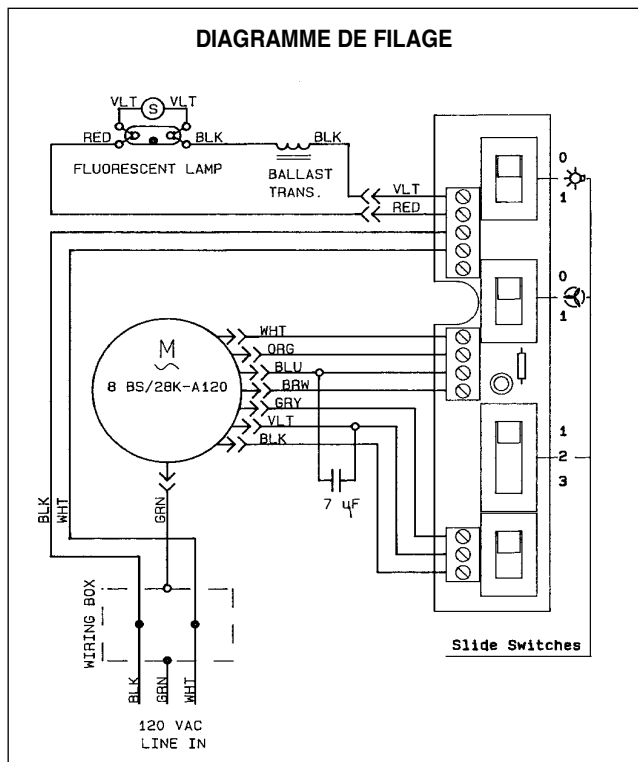
FIGURE 8

7. Brancher le câble d'alimentation sur la hotte. Attacher le fil blanc du câble d'alimentation sur le fil blanc de la hotte avec une cosse. Attacher le fil noir du câble d'alimentation au fil noir de la hotte avec une cosse. Brancher le fil de mise à la terre vert (jaune et vert) sous la vis de mise à la terre verte.
8. Replacer le couvercle du compartiment de filage et les filtres.
9. Brancher le conduit sur le registre et sceller toutes les connexions avec du ruban à conduit.
10. Mettre l'alimentation en circuit. Mettre en circuit le ventilateur et la lumière. Si la hotte ne fonctionne pas, vérifier si le disjoncteur n'est pas fermé ou si le fusible n'est pas grillé. Si l'appareil ne fonctionne toujours pas, débrancher l'alimentation et vérifier si les connexions ont été effectuées correctement.



## GARANTIE ET SERVICE

Cette hotte est dotée d'une garantie limitée contre tout défaut de fabrication. Afin d'obtenir un service sous garantie, communiquer avec le marchand où la hotte a été achetée ou le distributeur Faber de la région. Si l'on ne peut trouver de distributeur Faber, communiquer avec Faber aux États-Unis au (508) 358-5353 afin d'obtenir le nom d'un distributeur dans la région.



- Cette hotte utilise une ampoule fluorescente, type F33-15W-T8 et déclencheur, type S2.

## UTILISATION ET ENTRETIEN

Cette hotte est conçue pour enlever la fumée, les vapeurs de cuisson et les odeurs de la cuisine.

### Panneau de commandes

Le panneau de commandes est situé sur le côté droit sous la hotte. La position et la fonction de chaque bouton sont indiquées à la FIGURE 9.

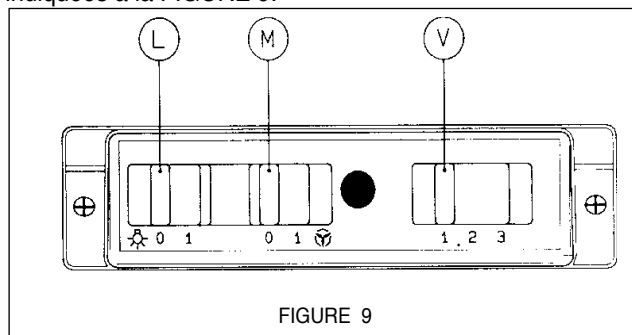


FIGURE 9

#### Bouton marche-arrêt de la lumière (L)

Interrupteur marche-arrêt pour la lumière. Régler à « 1 » pour mettre en circuit (ON) et à « 0 » pour mettre hors circuit (OFF).

#### Bouton marche-arrêt du ventilateur (M)

Interrupteur marche-arrêt pour le ventilateur. Régler à « 1 » pour mettre en circuit (ON) et à « 0 » pour mettre hors circuit (OFF).

#### Bouton de vitesse du ventilateur (V)

Réglage de la vitesse. Régler à « 1 » pour vitesse basse (LOW), à « 2 » pour vitesse moyenne (MÉDIUM) et à « 3 » pour vitesse élevée (HIGH).

#### Pour de meilleurs résultats

Mettre la hotte en circuit avant de commencer la cuisson. Laisser l'appareil fonctionner quelques minutes après la cuisson pour éliminer la fumée et les odeurs.

#### Nettoyage

Nettoyer régulièrement les filtres de métal avec une solution d'eau chaude et de détergent ou mettre au lave-vaisselle. Nettoyer les surfaces extérieures à l'eau chaude savonneuse. Ne pas employer de produits abrasifs ou de récurants qui endommagent les surfaces en acier inoxydable.

#### Remplacement de la lumière fluorescente

Pour remplacer la lumière fluorescente, enlever les pinces de retenu (T) aux deux extrémités du diffuseur en verre tel qu'il est indiqué à la FIGURE 10. Prudemment glisser le diffuseur en verre en le ramenant vers l'autre direction. Abaisser le côté opposé du verre sous le rebord (L), enlever le verre en le glissant de nouveau vers l'arrière. Replacer le diffuseur en

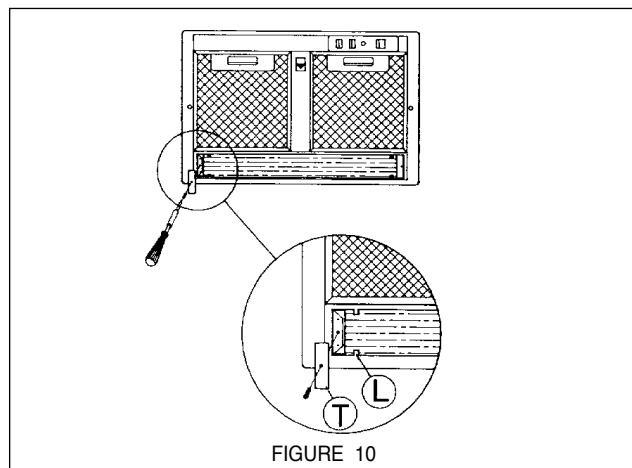


FIGURE 10



## Free Manuals Download Website

<http://myh66.com>

<http://usermanuals.us>

<http://www.somanuals.com>

<http://www.4manuals.cc>

<http://www.manual-lib.com>

<http://www.404manual.com>

<http://www.luxmanual.com>

<http://aubethermostatmanual.com>

Golf course search by state

<http://golfingnear.com>

Email search by domain

<http://emailbydomain.com>

Auto manuals search

<http://auto.somanuals.com>

TV manuals search

<http://tv.somanuals.com>