

#### NOTE

This manual documents the Model 8922A True RMS Voltmeter and its assemblies at the revision levels shown in Appendix 7A, Table 7A-1. If your instrument contains assemblies with different revision letters it will be necessary to either update or backdate this manual. Refer to the supplemental change/errata sheet for newer assemblies or to the backdating sheet (Appendix 7A) for older assemblies.

For the benefit and convenience of its customers, Fluke Corporation (Fluke) has reproduced this copy of a manual which is no longer in production. This manual has not been edited or updated since the revision date shown on the lower left hand corner of the first page. Fluke will not be liable for any claims, losses or damages of any kind incurred by any user arising from use of this manual.

# 8922A True RMS Voltmeter

## Instruction Manual

P/N 522052  
June 1979



## **LIMITED WARRANTY & LIMITATION OF LIABILITY**

Each Fluke product is warranted to be free from defects in material and workmanship under normal use and service. The warranty period is one year and begins on the date of shipment. Parts, product repairs and services are warranted for 90 days. This warranty extends only to the original buyer or end-user customer of a Fluke authorized reseller, and does not apply to fuses, disposable batteries or to any product which, in Fluke's opinion, has been misused, altered, neglected or damaged by accident or abnormal conditions of operation or handling. Fluke warrants that software will operate substantially in accordance with its functional specifications for 90 days and that it has been properly recorded on non-defective media. Fluke does not warrant that software will be error free or operate without interruption.

Fluke authorized resellers shall extend this warranty on new and unused products to end-user customers only but have no authority to extend a greater or different warranty on behalf of Fluke. Warranty support is available if product is purchased through a Fluke authorized sales outlet or Buyer has paid the applicable international price. Fluke reserves the right to invoice Buyer for importation costs of repair/replacement parts when product purchased in one country is submitted for repair in another country.

Fluke's warranty obligation is limited, at Fluke's option, to refund of the purchase price, free of charge repair, or replacement of a defective product which is returned to a Fluke authorized service center within the warranty period.

To obtain warranty service, contact your nearest Fluke authorized service center or send the product, with a description of the difficulty, postage and insurance prepaid (FOB Destination), to the nearest Fluke authorized service center. Fluke assumes no risk for damage in transit. Following warranty repair, the product will be returned to Buyer, transportation prepaid (FOB Destination). If Fluke determines that the failure was caused by misuse, alteration, accident or abnormal condition of operation or handling, Fluke will provide an estimate of repair costs and obtain authorization before commencing the work. Following repair, the product will be returned to the Buyer transportation prepaid and the Buyer will be billed for the repair and return transportation charges (FOB Shipping Point).

**THIS WARRANTY IS BUYER'S SOLE AND EXCLUSIVE REMEDY AND IS IN LIEU OF ALL OTHER WARRANTIES, EXPRESS OR IMPLIED, INCLUDING BUT NOT LIMITED TO ANY IMPLIED WARRANTY OF MERCHANTABILITY OR FITNESS FOR A PARTICULAR PURPOSE. FLUKE SHALL NOT BE LIABLE FOR ANY SPECIAL, INDIRECT, INCIDENTAL OR CONSEQUENTIAL DAMAGES OR LOSSES, INCLUDING LOSS OF DATA, WHETHER ARISING FROM BREACH OF WARRANTY OR BASED ON CONTRACT, TORT, RELIANCE OR ANY OTHER THEORY.**

Since some countries or states do not allow limitation of the term of an implied warranty, or exclusion or limitation of incidental or consequential damages, the limitations and exclusions of this warranty may not apply to every buyer. If any provision of this Warranty is held invalid or unenforceable by a court of competent jurisdiction, such holding will not affect the validity or enforceability of any other provision.

Fluke Corporation  
P.O. Box 9090  
Everett WA  
98206-9090

Fluke Europe B.V.  
P.O. Box 1186  
5602 B.D. Eindhoven  
The Netherlands

# Table of Contents

SECTION	TITLE	PAGE
<b>1</b>	<b>INTRODUCTION AND SPECIFICATIONS</b>	<b>1-1</b>
	1-1. INTRODUCTION .....	1-1
	1-9. SPECIFICATIONS .....	1-2
<b>2</b>	<b>OPERATING INSTRUCTIONS</b>	<b>2-1</b>
	2-1. INTRODUCTION .....	2-1
	2-3. SHIPPING INFORMATION .....	2-1
	2-6. INSTALLATION .....	2-1
	2-8. INPUT POWER .....	2-1
	2-10. CONTROLS AND INDICATORS .....	2-1
	2-12. OPERATING NOTES .....	2-4
	2-14. Fuse Replacement .....	2-4
	2-16. Display Indications .....	2-4
	2-21. Measurement Connections .....	2-4
	2-36. Input Signal Considerations .....	2-5
	2-43. Range Selection .....	2-6
	2-50. Voltage Display Mode .....	2-6
	2-53. dB Display Mode .....	2-7
	2-56. dBm Measurements .....	2-7
	2-61. Relative Measurements (REL) .....	2-7
	2-68. Linear Analog Output .....	2-8
	2-70. OPERATION .....	2-8
<b>3</b>	<b>THEORY OF OPERATION</b>	<b>3-1</b>
	3-1. INTRODUCTION .....	3-1
	3-3. OVERALL FUNCTIONAL DESCRIPTION .....	3-1
	3-5. Analog Circuitry .....	3-1
	3-10. Digital Circuitry .....	3-3
	3-13. DETAILED BLOCK DIAGRAM DESCRIPTION .....	3-3
	3-15. Signal Conditioner .....	3-3
	3-17. RMS Converter .....	3-4
	3-20. A/D Converter .....	3-5
	3-24. Controller .....	3-5
	3-41. Display and Annunciators .....	3-10
	3-44. Power Supply .....	3-10

(continued on page ii)

TABLE OF CONTENTS, *continued*

SECTION	TITLE	PAGE
<b>4</b>	<b>MAINTENANCE</b>	<b>4-1</b>
4-1.	INTRODUCTION .....	4-1
4-3.	SERVICE INFORMATION .....	4-1
4-6.	GENERAL MAINTENANCE .....	4-1
4-7.	Access Information .....	4-1
4-9.	INPUT POWER SELECTION .....	4-1
4-11.	Cleaning .....	4-3
4-13.	Fuse Replacement .....	4-3
4-15.	PERFORMANCE CHECK .....	4-3
4-18.	Low and Midband Performance Check (Volts Display Mode .....	4-3
4-20.	dB Display Mode Check .....	4-5
4-22.	DC Low Level Check .....	4-5
4-24.	AC Low Level Check .....	4-5
4-26.	High Frequency Response Check .....	4-5
4-28.	CALIBRATION ADJUSTMENTS .....	4-7
4-32.	Power Supply Calibration Adjustment .....	4-10
4-34.	Low and Midband Accuracy Adjustment .....	4-10
4-36.	Linear Analog Output .....	4-11
4-38.	AC Low Level Calibration and Filter Check .....	4-12
4-40.	High Frequency Calibration .....	4-13
4-42.	RMS Protection Circuit Calibration .....	4-14
4-44.	TROUBLESHOOTING .....	4-14
4-48.	RMS Sensor Replacement .....	4-18
4-50.	A/D Calibration Resistor Selection .....	4-19
4-52.	DC Offset Resistor Selection .....	4-19
<b>5</b>	<b>LISTS OF REPLACEABLE PARTS</b>	<b>5-1</b>
	TABLE OF CONTENTS .....	5-1
5-1.	INTRODUCTION .....	5-2
5-4.	HOW TO OBTAIN PARTS .....	5-2
<b>6</b>	<b>OPTION AND ACCESSORY INFORMATION</b>	<b>6-1</b>
	TABLE OF CONTENTS .....	6-1
<b>7</b>	<b>GENERAL INFORMATION</b>	<b>7-1</b>
<b>7A</b>	<b>MANUAL CHANGE INFORMATION</b>	<b>7A-1</b>
<b>8</b>	<b>SCHEMATIC DIAGRAMS</b>	<b>8-1</b>
	TABLE OF CONTENTS .....	8-1



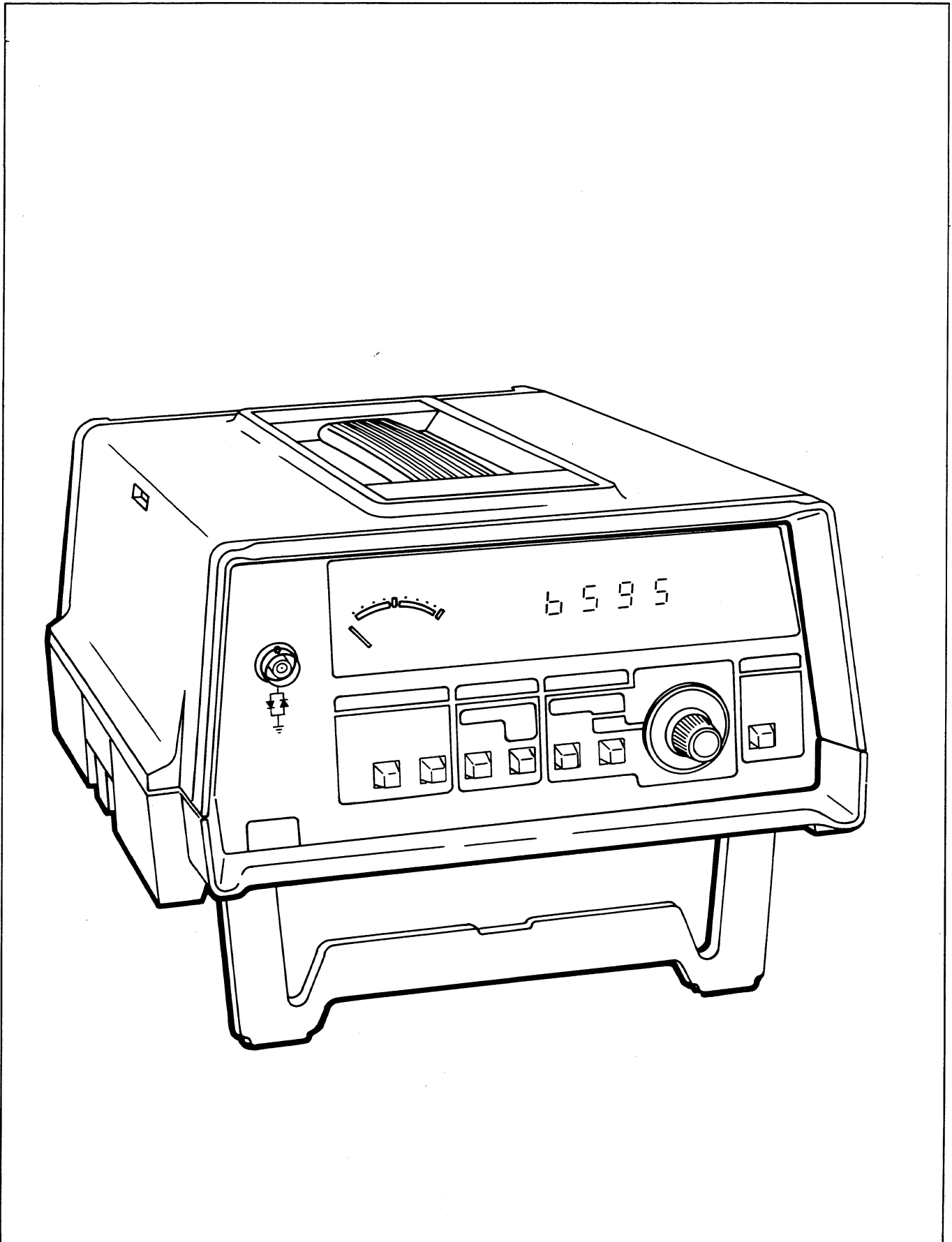
## List of Tables

TABLE	TITLE	PAGE
1-1.	8922A Options and Accessories .....	1-1
1-2.	Specifications .....	1-2
1-3.	Specifications for 8922A Options .....	1-6
2-1.	Controls, Indicators and Connectors .....	2-3
3-1.	Signal Conditioner Gain Configuration .....	3-4
3-2.	Controller Summary .....	3-7
3-3.	Output Range Codes .....	3-9
3-4.	Over/Under Conditions .....	3-9
3-5.	Input Range Codes .....	3-9
4-1.	Recommended Test Equipment .....	4-2
4-2.	Input Power Selection .....	4-2
4-3.	Low and Midband Performance Checks (Volts Display Mode) .....	4-4
4-4.	dB Display Mode Check .....	4-5
4-5.	DC Low Level Check .....	4-6
4-6.	High Frequency Response Check .....	4-7
4-7.	Low and Midband Accuracy Adjustments .....	4-10
4-8.	High Frequency Calibration .....	4-13
4-9.	8922A Troubleshooting Procedure .....	4-15
4-10.	Attenuator Logic States .....	4-18
4-11.	R204 Resistive Values (mf, $\pm 1\%$ , 1/8W) .....	4-19
4-12.	R19/R34, R66/R76 Resistive Values (mf, $\pm 1\%$ , 1/8W) .....	4-19



## List of Illustrations

FIGURE	TITLE	PAGE
Frontispiece	8922A True RMS Voltmeter .....	<i>vi</i>
2-1.	PTI Connection .....	2-1
2-2.	Controls, Indicators, and Connectors .....	2-2
2-3.	Matched Impedance Measurement Techniques .....	2-5
2-4.	Typical 8922A Crest Factor Limitation Below 10 Hz .....	2-6
2-5.	Typical Relative dB Measurements .....	2-8
3-1.	Overall Block Diagram .....	3-1
3-2.	Detailed Block Diagram .....	3-2
3-3.	Signal Conditioner .....	3-3
3-4.	RMS Converter .....	3-4
3-5.	A/D Converter Simplified Schematic and Timing .....	3-6
3-6.	Controller Timing (A/D Converter) .....	3-7
3-7.	Controller Functions .....	3-8
3-8.	Display and Annunciators .....	3-10
4-1.	Low and Midband Performance Test Set-Up .....	4-3
4-2.	DC Low Level Check .....	4-6
4-3.	AC Low Level Check .....	4-6
4-4.	High Frequency Response Check .....	4-7
4-5.	Calibration and Test Point Locations .....	4-8
4-6.	Linear Analog Output Check .....	4-12
4-7.	High Frequency Calibration .....	4-14
4-8.	A/D Waveforms (General Conditions) .....	4-17



**8922A True RMS Voltmeter**

## Section 1

# Introduction & Specifications

### 1-1. INTRODUCTION

1-2. The Model 8922A is a Digital True RMS Voltmeter, capable of accurately measuring the true rms value of nonsinusoidal signals containing AC or AC + DC components. The instrument has a frequency range of 10 Hz to 11 MHz with a full-scale crest factor of seven, and is capable of displaying measurements in either volts or dB units.

1-3. Selecting the VOLTS position on the dB/VOLTS switch enables the volts display mode and two applicable front panel annunciators (V, mV). In this mode, the instrument displays up to a 3½ digit figure to indicate the true rms value of any AC or AC + DC input signal whose amplitude is between 180 μV and 700V rms (1000V peak).

1-4. The dB display mode (logarithmic) is enabled when dB is selected on the front panel dB/VOLTS display switch. In this mode, the instrument displays up to a 4½ digit dBm value of the input signal referenced to one-of-twelve manually selected impedances (50 to 1200 ohms). The dB display mode also uses two annunciators -- dB and RELATIVE REFERENCE -- and to establish the instrument's operating status. The RELATIVE REFERENCE annunciator lights whenever the REL switch is depressed to indicate that any further dB measurements will be referenced to the voltage present at the time the switch was pressed. An UNCAL annunciator lights with both display modes when internal protection circuits are energized. When AUTO is selected on the AUTO/HOLD switch (the out position) the autorange mode selects one-of-seven input ranges to optimize the display resolution.

1-5. Complementing the instrument's high digital resolution is an analog panel meter for use in applications that require peaking or nulling. This meter does not have

calibration markings since it is intended for peaking and nulling indications only.

1-6. Note that the 8922A accommodates floating measurements up to approximately 0.6V peak with respect to earth ground. Isolation of 0.6V peak will accommodate the few hundred millivolts of typical common mode voltage. Full operator protection is maintained since -- under fault conditions -- the diode isolation circuitry conducts to insure that the common mode voltage is never greater than one diode drop.

1-7. Several options and accessories are available for use with the 8922A. The options and accessories are listed and described in Table 1-1. They may be ordered for factory or field installation. Detailed information concerning each option and accessory is given in Section 6 of this manual.

Table 1-1. 8922A Options and Accessories

MODEL NO.	DESCRIPTION
<b>OPTIONS</b>	
8922A-003	Counter Output
8922A-004	Logarithmic Analog Output
8922A-521	DMM Digital Interface
8922A-529	DMM-IEEE-488 Interface
<b>ACCESSORIES</b>	
Y2014	Rack Mounting Kit (single unit)
Y2015	Rack Mounting Kit (double unit)
Y2020	Panel Mount (DIN size)

1-8. The PTI (Portable Test Instrument) case is a family of injection molded, plastic instrument packages of various sizes which may be stacked vertically and latched together to form portable test stations. When instruments are stacked the weight of the stack should be limited to 40 pounds total, and the instrument drawing the most power should be on the top. Stacked instruments have a

horizontal air space between them to reduce heat conduction between instruments.

### 1-9. SPECIFICATIONS

1-10. Detailed specifications for the Model 8922A True RMS Voltmeter are given in Table 1-2. Specifications for the Model 8922A options are given in Table 1-3.

**Table 1-2. Specifications**

#### **ELECTRICAL (Basic)**

The electrical specifications given assume an operating temperature of  $23^{\circ}\text{C} \pm 5^{\circ}\text{C}$ , relative humidity up to 80% and a minimum 90 day calibration cycle.

<b>FUNCTIONS:</b>	AC true rms, AC + DC true rms (with 2 Hz damping for improved low frequency performance).
<b>DISPLAYS:</b>	Digital Display, Panel selectable for volts or dB. Analog peaking/nulling meter.
<b>RANGING:</b>	Autoranging, HOLD to defeat Autoranging, STEP-UP for manual up-ranging. Ranges up at 2000 counts. Ranges down at 180 counts.
<b>LOW PASS FILTER:</b>	200 kHz Low Pass Filter.
<b>MAXIMUM INPUT:</b>	700V rms or 1000V peak, not to exceed $1 \times 10^8$ volts-Hz product on any range.
<b>RESPONSE TYPE:</b>	True rms thermal converter will accept: sine, complex, pulse, or random waveforms.
<b>RESPONSE TIME:</b>	
AC:	1.6 seconds typically to rated accuracy within a range, composed of 1 second settling time and 0.6 seconds maximum digitizing time.
AC + DC:	7 seconds maximum to rated accuracy within a range, composed of 5 seconds settling time and 2 seconds maximum digitizing time.
<b>INPUT IMPEDANCE:</b>	2 mV to 700V range = $10 \text{ M}\Omega$ /shunted by $<30 \text{ pF}$ .
<b>CREST FACTOR:</b>	7 at full-scale, increasing proportionately as percent of scale decreases. See the Crest Factor portion of the Input Signal Considerations in Section 2.
<b>FREQUENCY RANGE:</b>	2 mV – 20V range = 2 Hz to 11 MHz 200V – 700V range = 2 Hz to 1 MHz

#### **ELECTRICAL (VOLTS Display Mode)**

<b>RANGES:</b>	2 mV, 20 mV, 200 mV, 2V, 20V, 200V, and 700V.
<b>RESOLUTION:</b>	0.05% of range. (3½ digits).

Table 1-2. Specifications (cont)

**ELECTRICAL (dB Display Mode)**

<b>dB RANGE:</b>	In the autorange mode the instrument appears as though it has a single range spanning 132 dB. Transients will appear in the readout as the transition through which the analog voltage range points occur.
<b>dB RANGE REFERENCES:</b>	
<b>dBm REFERENCES:</b>	Twelve manually selectable impedances with which to reference a 0 dBm, 1mW signal level. Impedances are 50, 75, 93, 110, 124, 135, 150, 300, 600, 900, 1000 and 1200 ohms.
<b>RELATIVE dB REFERENCE:</b>	A voltage present when this switch is depressed to its REL position is held as 0 dB reference for all other voltages.
<b>dB RESOLUTION:</b>	0.01 dB (4½ digits).
<b>ACCURACY:</b>	The accuracy specifications given below apply to the volts and dB display modes at 9% to 100% of full-scale, 23°C ±5°C, 90 day. For 6 month specifications, multiply all values by 1.5.

**8922A Voltmeter Specifications 23°C ±5°C, 90 Days**

INPUT VOLTAGE	RANGE	AC ACCURACY % OF VOLTAGE READING OR ±dB							
		2 Hz	10 Hz	20 Hz	50 Hz	10 kHz	200 kHz	1 MHz	2 MHz 11 MHz
180-700V 18.0-199.9V	700V 200V	FILTER IN				FILTER OUT			
		Damping* (3% or 0.35 dB)	5% or 0.5 dB	1% or 0.15 dB	0.5% or 0.1 dB	0.7% or 0.15 dB	Not Specified		5% or 0.5 dB
1.80-19.99V .180-1.999V 18.0-199.9 mV	20V 2V 200 mV		Damping* (1% or 0.15 dB)				3% or 0.35 dB		
1.80-19.99 mV	20 mV		5% or 0.5 dB Damping* (2% or 0.25 dB)	2% or 0.25 dB	1% or 0.15 dB	2% or 0.25 dB			
.180-1.999 mV	2 mV	Damping* (5% or 0.5 dB)	5% or 0.5 dB	3% or 0.35 dB	2% or 0.25 dB	4% or 0.4 dB			

**AC + DC ACCURACY  
(USE 50 Hz - 10 kHz SPEC FOR DC ONLY)**

ADD TO AC SPECIFICATION:    ±10 Digits or 0.5 dB Above 2 mV.  
   ±100 Digits or 5 dB Below 2 mV.

\*Valid When AC + DC (Damping) is Selected and Input is AC Only.

Below 2 mV add:  $\frac{5}{\text{mV Input}}$  digits or  $\frac{0.05}{(\text{mV Input})^2}$  dB

Table 1-2. Specifications (cont)

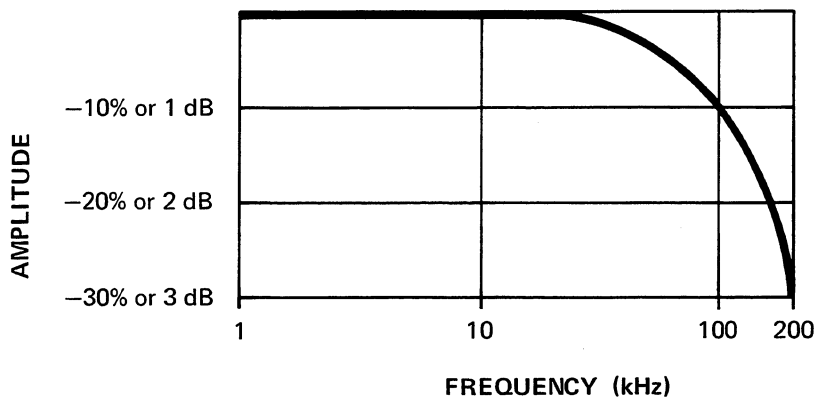
TEMPERATURE COEFFICIENTS at 0°C to 18°C, 28°C to 50°C (32 to 64.4°F, 82.4 to 122°F)

FUNCTION

	2 Hz	1 MHz	11 MHz
AC	0.07%/°C or 0.006 dB/°C		0.1%/°C or 0.01 dB/°C

INPUT	ABOVE 2 mV	BELOW 2 mV
AC + DC	±(2 digits/°C or 0.1 dB/°C)	±(20 digits/°C or 1.0 dB/°C)
AC	Same as AC Function	+ $\frac{2 \text{ digits}}{\text{mV input}} \text{ } ^\circ\text{C}$ or + $\frac{2 \text{ digits}}{(\text{mV input})^2} \text{ } ^\circ\text{C}$

LOW PASS FILTER RESPONSE (Typical)



GENERAL

- INPUT: Isolated BNC input floating up to .6V peak.
- DISPLAYS: 5 (0.3" high) digit, 7-segment LED's with automatic decimal point location and mV, V, dB, RELATIVE REFERENCE, and UNCAL annunciators. The display also incorporates an uncalibrated analog meter for nulling and peaking.
- AUTORANGING RATE:

  - VOLTS: AC 700 ms max/range change; 2.2 sec max for 6 range changes. AC + DC 2.5 sec ac max/range change; 10 sec max for 6 range changes.
  - dB: AC 950 ms max/range change; 2.9 sec max for 6 range changes. AC + DC 3.5 sec max/range change; 13 sec max for 6 range changes.
  - READING RATE: AC 2.5 readings per second. AC + DC 1 reading per second.

- OVERRANGE INDICATION: Flashes maximum allowed reading for that range.
- UNDERRANGE INDICATION: Flashes decimal point, but continues to display the reading.



Table 1-2. Specifications (cont)

**GENERAL (cont):**

UNCAL INDICATION:	Illuminates to indicate crest factor is exceeded.
MAXIMUM COMMON MODE: VOLTAGE:	400 mV rms or 600 mV peak, diode clamped.
INPUT COMMON MODE: REJECTION:	> 80 dB @ 50 or 60 Hz (with 100 ohms in either lead).
LINEAR ANALOG OUTPUT:	Each range provides a linear output with 2V dc equal to 2000 counts on the readout, $\pm 1.0\%$ of reading relative to display; essentially 0 ohm output resistance into a $> 10\text{ k}\Omega$ load; non-isolated with output common the same as input common.
STORAGE TEMPERATURE:	$-40^{\circ}\text{C}$ to $+75^{\circ}\text{C}$ .
OPERATING TEMPERATURE:	$0^{\circ}\text{C}$ to $50^{\circ}\text{C}$ .
HUMIDITY RANGE:	80% RH.
MTBF:	Greater than 10,000 hours.
POWER:	100V ac $\pm 10\%$ , 120V ac $\pm 10\%$ , 220V ac $\pm 10\%$ , or 240V ac $\pm 10\%$ to 250V ac max. selected by internal switches, 45 to 440 Hz, 10 W max.
DIMENSIONS:	32.7 cm (12.9 in.) L X 20.3 cm (8.0 in.) W X 10.8 cm (4.3 in.) H.
WEIGHT:	2.47 kg (5 lb. 7 oz.).

Table 1-3. Specifications for 8922A Options

**OPTION -003, COUNTER OUTPUT OPTION**

OUTPUT VOLTAGE:	100 mV peak square wave.
OUTPUT IMPEDANCE:	50 ohms.
MAXIMUM ISOLATED LEVEL:	Maintains instrument isolation with respect to earth ground.

**OPTION -004, LOGARITHMIC ANALOG OUTPUT OPTION**

OUTPUT VOLTAGE DC:	200 $\mu$ V rms input = 0 dB, 0V dc out. 700V rms input = 131 dB, 13.1V dc out. i.e., 100 mV = 1 dB. Non-isolated, output common is the same as input common.
LINEARITY:	Within each range: $\pm 0.35$ dB. Over all seven ranges: $\pm 2$ dB.
OUTPUT IMPEDANCE:	1 k $\Omega$ .

**OPTION -521 DMM DIGITAL INTERFACE**

DESCRIPTION:	Serial BCD output of all digits and annunciators.
OPTICAL ISOLATION:	Transfer reliable up to 500V ac rms common mode from dc to 440 Hz.
OPERATING POWER:	From DMM +5V and GND From external device +5V at less than 10 mA and GND.

**OPTION -529 DMM-IEEE-488 INTERFACE**

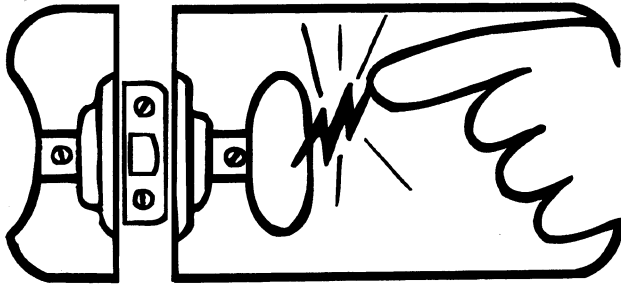
DESCRIPTION:	Option for interfacing the 8922A to IEEE 488-1978. Package consists of one pcb mounted in the 8922A, one pcb mounted in the 1120A Translator and one interconnect cable. The 1120A must be used to interface to the IEEE 488 General Purpose Bus.
FUNCTION:	Talker.
IEEE REPERTOIRE	SH1, AH1, T3, TE3.



# static awareness



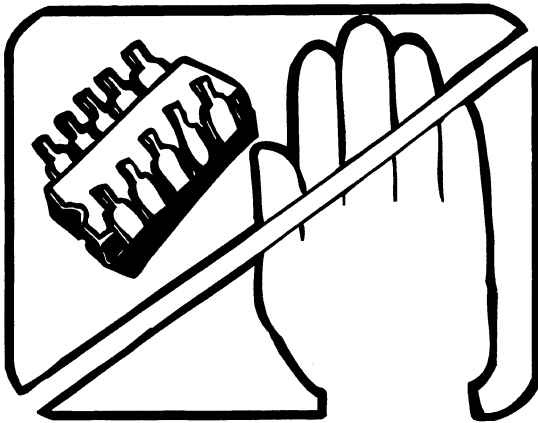
A Message From  
Fluke Corporation



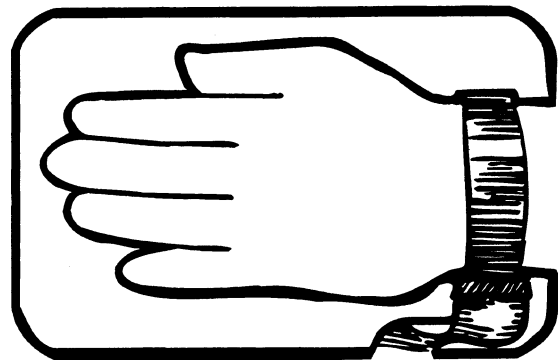
Some semiconductors and custom IC's can be damaged by electrostatic discharge during handling. This notice explains how you can minimize the chances of destroying such devices by:

1. Knowing that there is a problem.
2. Learning the guidelines for handling them.
3. Using the procedures, packaging, and bench techniques that are recommended.

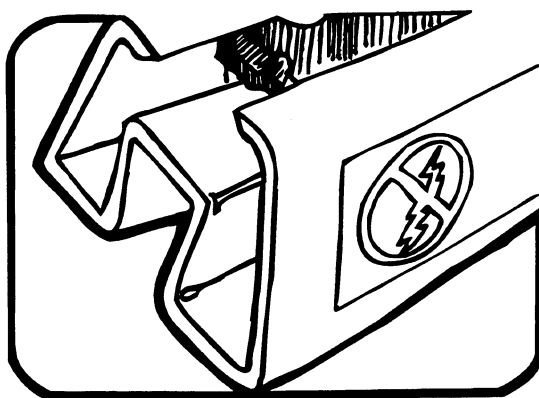
The following practices should be followed to minimize damage to S.S. (static sensitive) devices.



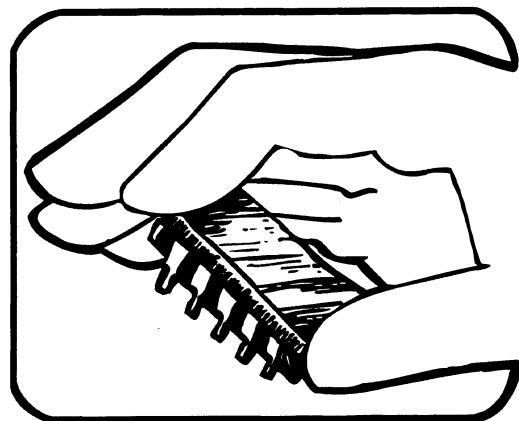
1. MINIMIZE HANDLING



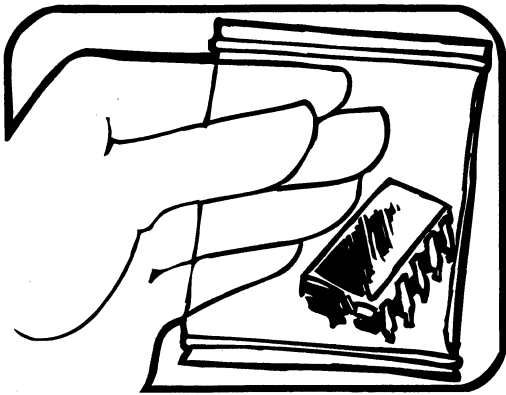
3. DISCHARGE PERSONAL STATIC BEFORE HANDLING DEVICES. USE A HIGH RESISTANCE GROUNDING WRIST STRAP.



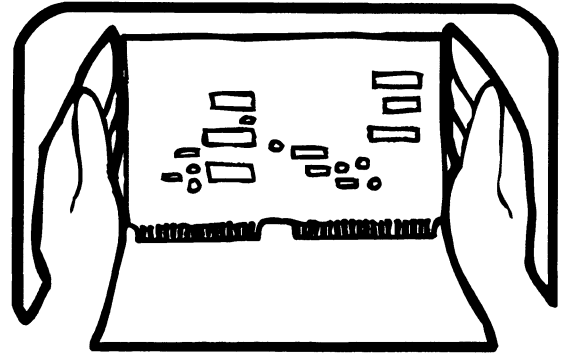
2. KEEP PARTS IN ORIGINAL CONTAINERS UNTIL READY FOR USE.



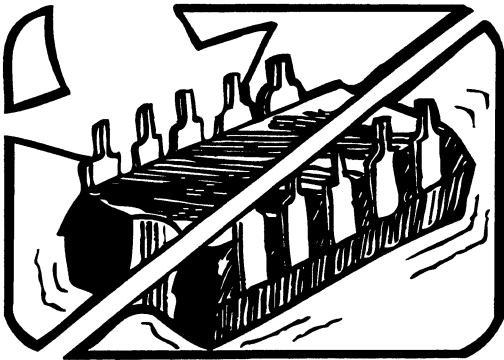
4. HANDLE S.S. DEVICES BY THE BODY.



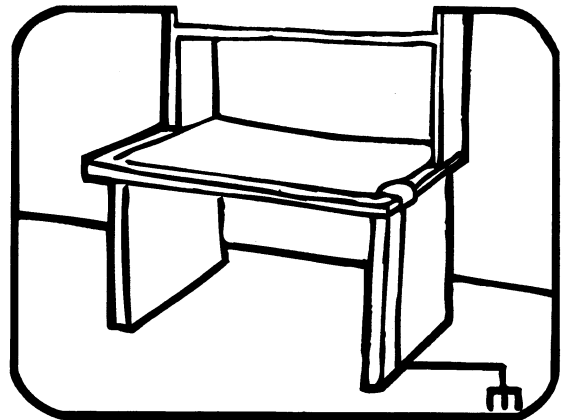
5. USE STATIC SHIELDING CONTAINERS FOR HANDLING AND TRANSPORT.



8. WHEN REMOVING PLUG-IN ASSEMBLIES HANDLE ONLY BY NON-CONDUCTIVE EDGES AND NEVER TOUCH OPEN EDGE CONNECTOR EXCEPT AT STATIC-FREE WORK STATION. PLACING SHORTING STRIPS ON EDGE CONNECTOR HELPS PROTECT INSTALLED S.S. DEVICES.



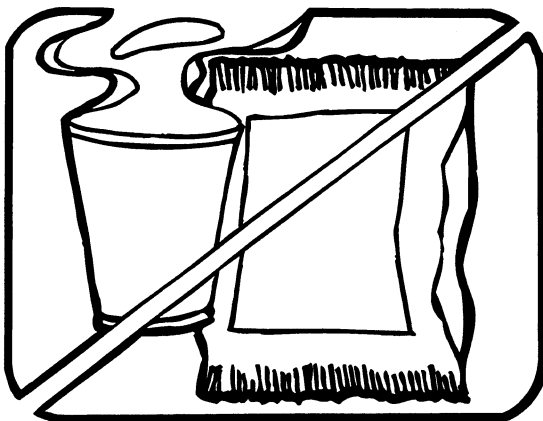
6. DO NOT SLIDE S.S. DEVICES OVER ANY SURFACE.



9. HANDLE S.S. DEVICES ONLY AT A STATIC-FREE WORK STATION.

10. ONLY ANTI-STATIC TYPE SOLDER-SUCKERS SHOULD BE USED.

11. ONLY GROUNDED-TIP SOLDERING IRONS SHOULD BE USED.



7. AVOID PLASTIC, VINYL AND STYROFOAM® IN WORK AREA.

PORTIONS REPRINTED  
WITH PERMISSION FROM TEKTRONIX INC.  
AND GENERAL DYNAMICS, POMONA DIV.

## Section 2

# Operating Instructions

### 2-1. INTRODUCTION

2-2. The information we have presented in this section is intended to familiarize you with the capabilities and limitations of the Model 8922A. We have included instructions for the installation and operation of your 8922A as well as a brief description and identification of each control and indicator on the instrument.

### 2-3. SHIPPING INFORMATION

2-4. The Model 8922A is packaged and shipped in a protective container. When you receive the equipment, make a thorough inspection for any possible shipping damage. If your 8922A was damaged in shipment contact your nearest John Fluke Service Center immediately. A list of these service centers may be found in Section 7.

2-5. If reshipment of the instrument is necessary, use the original container. If the original container is not available, a new one may be obtained from the John Fluke Mfg. Co., Inc. Please indicate the instrument's model number (8922A) when requesting a new shipping container.

### 2-6. INSTALLATION

2-7. The 8922A is designed for bench-top use, for installation in a standard 19-inch equipment rack, or for panel mounting into any DIN size opening. Available rack mounting kits are listed in Table 1-2. In bench-top environments the 8922A may be stacked with other Fluke products that use the PTI case. To connect two or more PTI cases, pull the side connectors out, place one case squarely on top of another and press in on the side connectors of the top case until they seat firmly into the slots on the case below. See Figure 2-1.

### CAUTION

**Before you attempt to lift a series of stacked instruments, check each unit to ensure that its case connectors are properly mated and latched to the next lower instrument.**

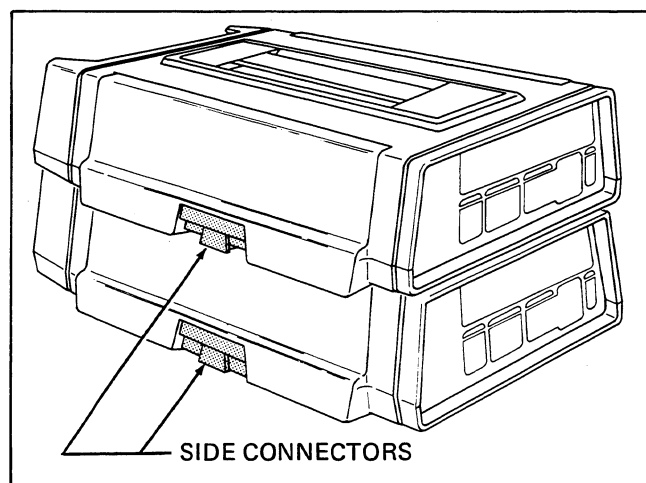


Figure 2-1. PTI Connection

### 2-8. INPUT POWER

2-9. The 8922A can be operated from one of several line voltages: 120, 100, 220, or 240V. Refer to the procedure in Section 4 to alter the line power configuration of the instrument. We recommend that this procedure be performed by qualified personnel only.

### 2-10. CONTROLS AND INDICATORS

2-11. The 8922A controls, indicators, and connectors are shown in Figure 2-2 and described in Table 2-1. Locate each feature on your DMM as you read the description.

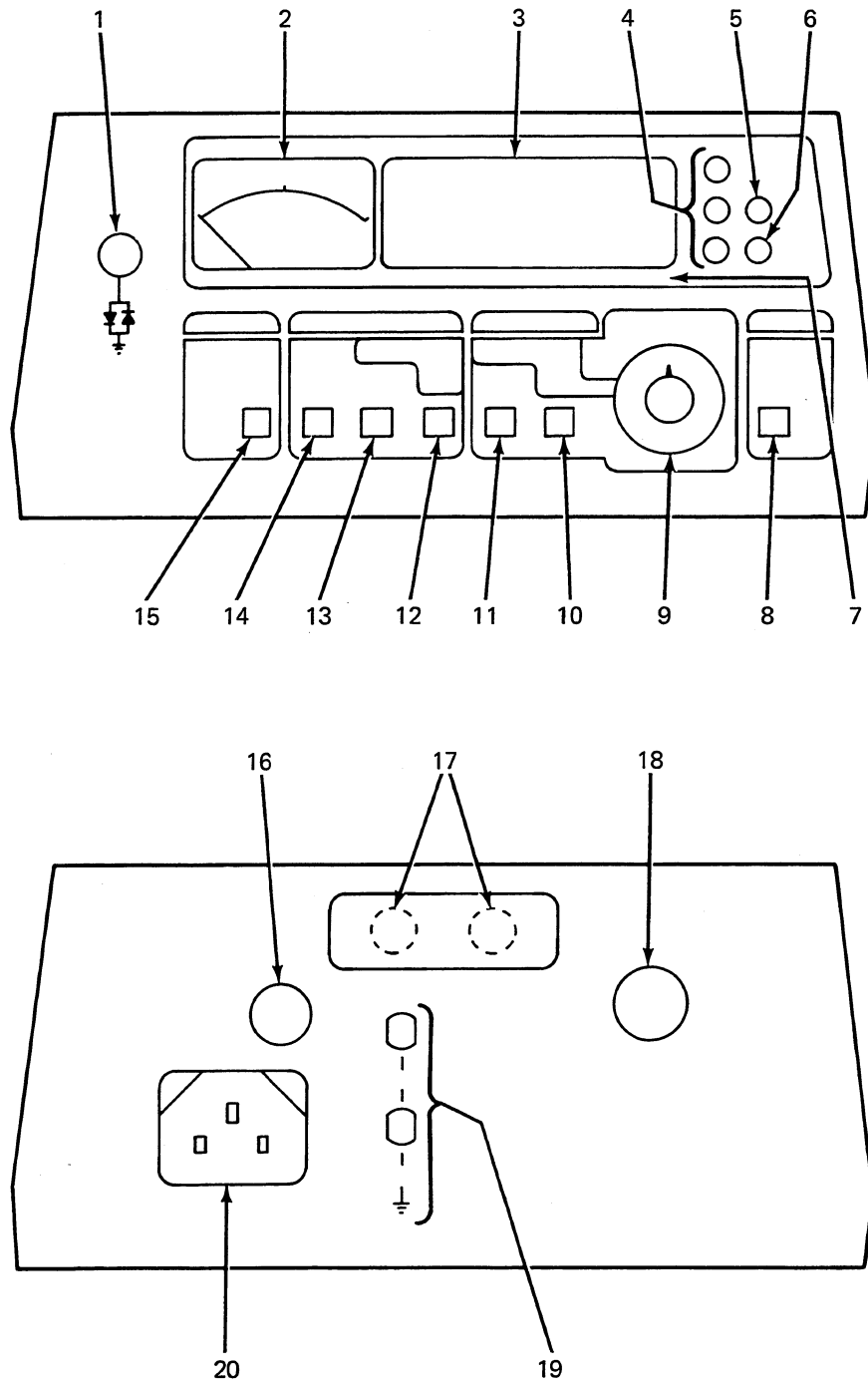


Figure 2-2. Controls, Indicators, and Connectors

Table 2-1. Controls, Indicators, and Connectors (cont)

REF NO.	NAME	FUNCTION
1	INPUT	A BNC input connector. The low side is isolated from power ground through a pair of parallel diodes.
2	Analog Panel Meter	Uncalibrated panel meter provides analog tracking of input level; useful for peaking and nulling indications.
3	Digital Display	LED display provides a direct readout of the input signal level; includes decimal point and polarity.
4	Annunciators	LED's that light to indicate the selected measurement function V (volts), mV (millivolts) or dB (decibels).
5	UNCAL	An LED that light to indicate that the instrument's internal protection circuitry is energized, see Crest Factor, under operating instructions.
6	RELATIVE REFERENCE	An LED that lights to indicate that the voltmeter is in the dB display mode and using a relative voltage reference.
7	2/20/200/700	Indicate DMM range by decimal point locations.
8	POWER Switch	A push-push switch used to turn the instrument ON (in) and OFF (out).
9	dBm REFERENCE	Rotary switch used to manually select 1-of-12 reference impedances when the dBm and dB display modes are selected.
10	REL/dBm	A push-push switch used to select either the relative dB or the dBm display mode. When REL is depressed, the existing input level is used to establish a 0 dB reference. Subsequent level changes at the input are displayed in dB and referenced to the operator established 0 dB level. When dBm is selected, measurements are displayed in terms of dBm and the dBm REFERENCE setting.
11	dB/VOLTS	A push-push switch used to select either the voltage (out) or dB (in) display mode.
12	STEP UP	A momentary pushbutton switch used to incrementally step the voltmeter to its higher range. This switch is enabled only when the HOLD RANGE mode is selected.
13	HOLD/AUTO	A push-push switch used to select the manual (HOLD) or autorange (AUTO) mode. Selecting HOLD (in) enables manual upranging with the STEP UP switch. Selecting AUTO (out) enables the unit to autorange.
14	FILTER	A push-push switch which, when depressed, engages a single pole filter to reject unwanted high frequency signals. See the Specifications table for effect on accuracy.
15	AC/AC + DC (damping)	A push-push switch used to include (in) or delete (out) dc components as part of the input signal level. When AC + DC is selected (in) damping increases which extends low frequency operation down to 2 Hz. Reading and ranging rates are slower.
16	F1	Line fuse, MDL 1/8A slo-blo.( 5 x 20 mm, 1/8A, slow acting for metric.)

Table 2-1. Controls, Indicators, and Connectors (cont)

REF. NO.	NAME	FUNCTION
17	DIGITAL OUTPUT/ LOG-ANALOG OUTPUT	An output port reserved for use with the Logarithmic Output Option-004-521 Option, or the -529 IEEE Interface Option, see Section 6 for details.
18	COUNTER OUTPUT	An output port reserved for use with the Counter Output Option -003. See Section 6 for details.
19	Linear Analog	A pair of banana jacks for output accessing the dc linear analog output voltage. This voltage is proportional to the V rms input and is linearly scaled; 2V dc out equals a 2000 count readout. The scale repeats for each range.
20	Input Power Connector	A 3-prong line power connector for connecting the unit to line power.

## 2-12. OPERATING NOTES

2-13. The following paragraphs describe various conditions which you should be aware of before attempting to operate the 8922A.

### 2-14. Fuse Replacement

2-15. The Model 8922A is fuse protected from the power line. You can access the fuse by pressing and turning (CCW) the fuse cap located on the rear panel. When replacement is necessary use an MDL type 1/8 amp slo-blo fuse for all voltage configurations. (For metric fuse, use 1/8A, slow acting, 5 x 20 mm glass tube type.)

### 2-16. Display Indications

2-17. In addition to the standard digital readout, we have equipped the front panel display with a series of unique visual indicators. These include an overrange/overload indication, an underrange indication, and an analog meter. They function automatically to help you make error free measurements.

2-18. For example, when an input signal level exceeds the display limit for the selected range an overrange will occur. The display digits flash while the overrange is present. Selecting a higher range will eliminate the overrange condition.

2-19. Measurement accuracy is uncertain when the higher voltage ranges are used to measure low level signals. To alert you to this condition, the decimal point will flash when the input is too low for the selected range (less than 180 digits). You may eliminate this underrange indication by manually selecting a lower range or selecting autorange.

2-20. The uncalibrated analog panel meter complements the digital display by linearly tracking the input signal level. It provides a 0-to-100%-of-scale indication for the selected range. This feature will aid you in detecting the peak and null points of inputs having varying levels.

## 2-21. Measurement Connections

### 2-22. COAX OR OPEN LEADS

2-23. We recommend that shielded or coax leads be used at the input for low level or high frequency measurements. Open leads (unshielded) may pick up interference from other sources causing errors at low levels. You may reduce high frequency errors by minimizing inductance and capacitance between the source and the 8922A input connector.

### 2-24. SAFETY CONSIDERATIONS

2-25. Under normal operating conditions, the 8922A will not present a potential electrical shock hazard to the operator. However, careless use of input-lead connectors and/or adapters may create a shock hazard.

2-26. The low input on the 8922A is connected to power ground through a pair of diodes (see front panel connector). These diodes allow the low input terminal to float up to 400 mV rms. Their function is twofold; they provide isolation between input low and power ground, and they protect the operator from the possibility of hazardous voltages existing on the exposed low input connector.

2-27. At first glance, 400 mV of isolation does not appear significant. However, in most cases it provides



enough isolation to prevent ground loop currents and, therefore, measurement errors due to ground loops.

2-28. When you connect the low input of the 8922A to a potential greater than 400 mV above power ground, the diode pair conducts and effectively clamps the input common mode voltage.

### WARNING

**TO AVOID ELECTRICAL SHOCK HAZARD  
DO NOT REMOVE OR OTHERWISE DEFEAT  
THE INPUT DIODE PAIR.**

2-29. Under no circumstances should you attempt to defeat the function of the diodes. Specifically, the diodes should not be removed, the ground return on the power cord should not be floated, and an isolation transformer should not be used to power the 8922A. If the diodes are defeated, a shock hazard will exist at the low input connector when the low input lead is floated above 30 volts.

### 2-30. IMPEDANCE MATCHING

2-31. Two types of ac voltage measurements are typically made; those involving matched impedance systems and those where voltmeter loading is minimized (high impedance measurements) and no impedance matching occurs.

2-32. When matched impedance systems are measured, the input cable should be terminated as close as possible to the 8922A input, thereby minimizing input capacitance and enhancing accuracy at high frequencies. This is accomplished by including the meter as an integral part of the circuit as shown in Figure 2-3A. Notice that the integrity of the 50Ω system is maintained by using a 50Ω broadband matching power splitter. An alternate solution is shown in Figure 2-3B. In this case, the source is alternately connected to the 8922A and the test circuit. This allows the source to be adjusted to a known level before being connected to the test circuit. Since both the meter and the test circuit are 50Ω loads the circuit integrity is maintained. In either method, the accuracy will be determined in part by the accuracy of the source impedance and the accuracy of the termination.

2-33. High impedance measurements are based on the assumption that the voltmeter's fixed 10 MΩ input resistance and low input capacitance will not appreciably load or otherwise affect the circuit being measured. If the measurement frequency is low, this assumption holds true.

### 2-34. COMMON MODE VOLTAGE MEASUREMENTS

2-35. The 8922A will accommodate common mode voltages as high as 600 mV peak, usually enough to eliminate ground loops in the power connections. Higher common mode voltages will be clamped to 600 mV up to a 25 amp maximum load capability.

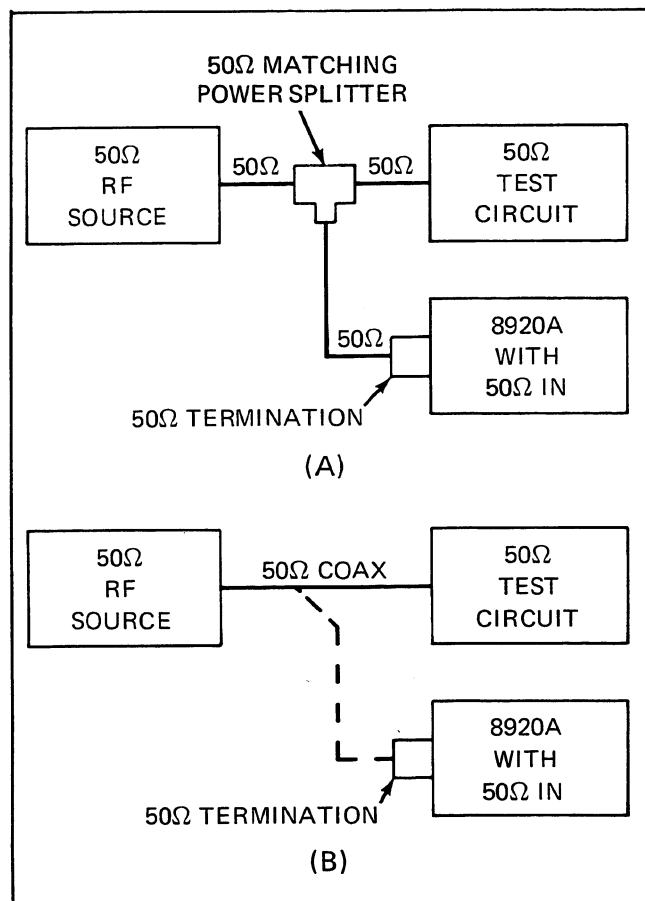


Figure 2-3. Matched Impedance Measurement Techniques

### 2-36. Input Signal Considerations

2-37. The 8922A is a true rms voltmeter, and as such, is subject to input conditions not encountered with the ordinary average-reading ac voltmeter. Of these, the two most important are crest factor and input coupling.

### 2-38. CREST FACTOR

2-39. Crest factor is the ratio of the peak voltage to the rms voltage with the dc component removed. Above 10 Hz, the crest factor is limited by the dynamic range of the amplifiers. Crest factor capability in this frequency range will be at least 7 for full-scale inputs and will increase

proportionally as the input goes down-scale. Use the following formula to calculate the crest factor of signals less than full-scale:

$$\text{Crest Factor} = \frac{7 (\text{Range})}{\text{Input Level}}$$

For example, given the DMM is at the 20V range with a 10V input:

$$\text{Crest Factor} = \frac{> (20\text{V})}{10\text{V}} = \frac{140\text{V}}{10\text{V}} = 14$$

2-40 Below 10 Hz, crest factor is limited by the time required for the internal rms sensor protection circuit to energize and limit the sensor temperature. Typical low frequency crest factor limitation is shown in Figure 2-4. When the protection circuit does not energize, the UNCAL annunciator will light indicating that the protection circuit is introducing measurement errors. When this occurs, manually selecting a higher range may produce a better measurement.

#### 2-41. INPUT COUPLING, AC/DC

2-42. The 8922A is equipped with a FUNCTION switch which allows you to select either AC or AC + DC coupling. When the switch is out, AC coupling is selected. In this function the dc component is removed from the input signal and is not measured or displayed. Depressing the FUNCTION switch selects AC + DC coupling. This function allows the 8922A to measure and display the true rms value for the total input signal; ac components and dc components. You should always consider the dc component when power dissipation is being determined. This function also increases the damping which is

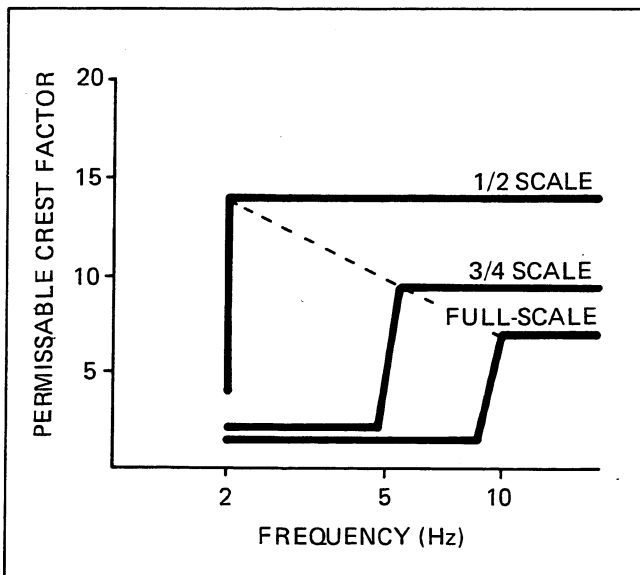


Figure 2-4. Typical 8922A Crest Factor Limitation

required for good performance below 10 Hz. This additional damping may also aid in the measurement of higher frequency signals when the level of the signal fluctuates.

#### 2-43. Range Selection

2-44. Seven voltage ranges, and what appears to be a single dB range spanning 132 dB are provided in the instrument. Range selection is normally accomplished automatically. Override switches, however, allow you to interrupt the autorange function and manually increment the range.

2-45. The autorange function optimizes the display reading for a given input. Each reading is displayed complete with decimal point and units' annunciator. The individual ranges are directly defined for the operator by labeled decimal points. Underrange (flashing decimal point) and overrange (flashing digits) indications are provided to indicate when a range change is necessary.

#### 2-46. AUTORANGE

2-47. The proper measurement range is automatically selected when the HOLD/AUTO switch is in the AUTO (out) position. Both decimal point and units' annunciator change automatically with range.

#### 2-48. MANUAL

2-49. Manual range determination is accomplished by selecting a range using the autorange mode and then depressing the HOLD/AUTO switch. The meter will stay in that range regardless of input level changes. If the range becomes invalid for a given input level, an overrange or underrange indication will flash. If an underrange is indicated, select autorange (AUTO). After the proper range is selected, press HOLD. For overrange conditions, momentarily press the STEP UP switch once for each desired range increment. Holding the switch in will increment the meter to the 700V range. Select autorange (AUTO) to downrange.

#### 2-50. Voltage Display Mode

2-51. The 8922A will display a voltage input in one-of-two measurement units; volts or dB. To display the input voltage in units of volts, you must set the dB/VOLTS switch to VOLTS. The instrument will now display all input in units of volts or millivolts, as indicated by the front panel annunciators (V), (mV).

2-52. Two points of interest about the volts display mode are as follows: one, if the input is completely unknown, allow the autoranging circuit to select the appropriate range. Two, the selection of the volts display

mode will not affect any previous reference established in the dB display mode (see following paragraphs for additional information about establishing a dB reference).

### 2-53. dB Display Mode

2-54. When the instrument is in its dB display mode, all voltage inputs are referenced to a selected level, and displayed as deviations (in dB) above or below that level. If you wish to display the input voltage in dB units, set the dB/VOLTS switch to dB. The instrument's front panel dB annunciator will now light, indicating to you that the display is presenting a measurement in dB units.

2-55. The instrument references all inputs to a selected level. Before a meaningful measurement in dB units can be made, the desired reference level (0 dB) must be established. See RELATIVE REFERENCE Selection and dBm REFERENCE.

### 2-56. dBm Measurements

2-57. Measurements made to a fixed 1 milliwatt reference are defined as dBm. The 1 milliwatt reference is generally assumed, as indicated by m. However, the system impedance must be specified for a particular measurement. Once the impedance is selected, the instrument will display its measurements in dBm.

2-58. The 8922A is equipped with a rotary switch called dBm REFERENCE ( $\Omega$ ). By setting the switch to 1-of-12 possible standard reference impedances (50 $\Omega$ , 75 $\Omega$ , 93 $\Omega$ , 110 $\Omega$ , 124 $\Omega$ , 135 $\Omega$ , 150 $\Omega$ , 300 $\Omega$ , 600 $\Omega$ , 900 $\Omega$ , 1000 $\Omega$ , and 1200 $\Omega$ ) you establish that impedance as a reference. When the system impedance and the reference are the same, the display is in terms of dBm.

#### NOTE

*If the 1000 ohm reference impedance is selected ("dBV" on the rotary switch), the 0 dB point will correspond to 1V.*

### 2-59. dBm REFERENCE SELECTION

2-60. Use the following procedure to select a reference impedance and enable the dBm display mode:

1. Depress the dB/VOLTS switch (in).
2. Release the REL/dBm switch (out).
3. Set the dBm REFERENCE ( $\Omega$ ) switch to correspond with the system impedance.

#### NOTE

*The dBm REFERENCE switch does not affect the fixed 10 M $\Omega$  input impedance of the 8922A. All impedance matching terminations must be added externally by the operator.*

### 2-61. Relative Measurements (REL)

2-62. This feature allows you to make any voltage input a "0 dB point" to which all other voltage inputs may be referenced. For measurements at a single test point, press the dB switch, then the REL switch and watch the dB change as you make adjustments or circuit changes.

2-63. A typical application for the dB measurement mode is shown in Figure 2-5. The relative reference (0 dB) has been established at TP2. Subsequent dB measurements at TP1, TP3, TP4, and TP5 are displayed (in dB) as shown.

### 2-64. RELATIVE REFERENCE SELECTION

2-65. Use the following procedure to enable the relative (REL) display mode and select a relative (0 dB) reference.

1. Connect the reference source to the 8922A input terminals. If desired, measure and adjust the reference supply voltage level.
2. Select the autorange mode (AUTO).
3. Release the REL/dBm switch (out).
4. Depress the dB/VOLTS switch (in).
5. With the reference level still connected to the input terminals, depress the REL switch. The display should now read 0 dB and the RELATIVE REFERENCE annunciator should be lit.

### 2-66. OTHER dBm REFERENCES

2-67. When a dBm reference, other than those given on the dBm REFERENCE switch is required, use the following procedure to establish the reference:

1. Define the reference impedance (R) and calculate V using the following formula:

$$V = 0.001 \times R$$

2. Apply an adjustable voltage source to the 8922A input and set the dB/VOLTS switch to the VOLTS position. Adjust the voltage source for a display reading equal to the calculated value of V.

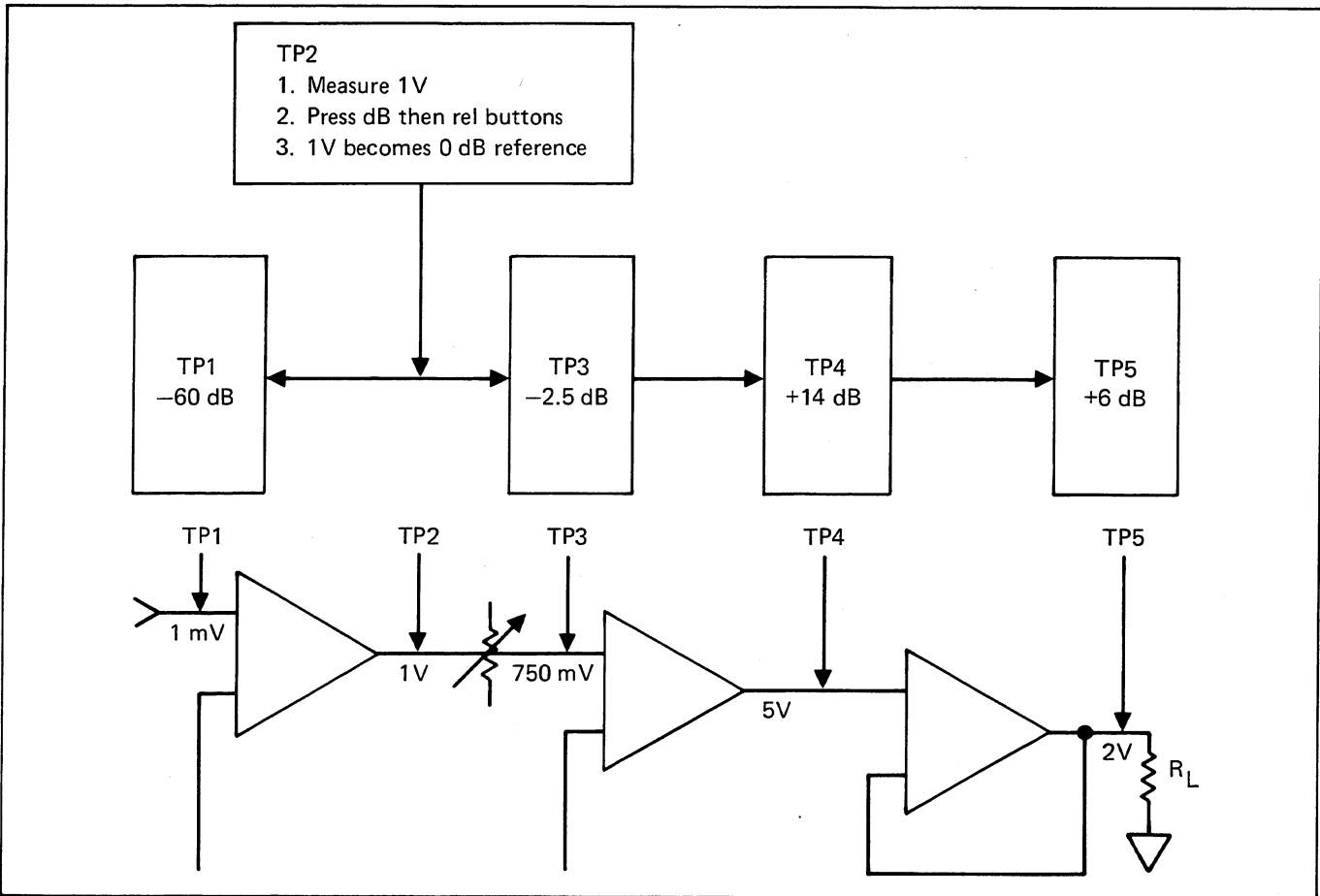


Figure 2-5. Typical Relative dB Measurements

3. Depress the dB/VOLTS switch (in).
4. Depress the REL/dBm switch (in). This establishes the voltage (V) as the 0 dB reference level. Therefore, subsequent dB measurements will be equivalent to dBm measurements as long as the system impedance R is maintained.

**NOTE**

*This reference will hold as long as the REL/dBm switch is at the in position and the instrument is energized.*

**2-68. Linear Analog Output**

2-69. A pair of banana jacks on the rear panel of the 8922A provides access to a linear dc analog output signal. This signal is proportional to the applied input signal and is linearly scaled; a 2V dc output is equal to 2000 counts on the display. Output accuracy is  $\pm 1\%$  relative to the front panel reading. The output signal is buffered, and is suitable for driving an external analog meter, recorder, plotter, scope, etc.

**2-70. OPERATION**

2-71. With reference to the preceding paragraphs, use the following procedure to turn-on and operate the

Model 8922A (refer to Section 6 for option and accessory information):

1. Connect the 8922A to line power.
2. Set the front panel POWER switch to ON (in). The front panel display should light.
3. Select the appropriate input leads and connect them to the meter's input terminals. Add terminations as close as possible to the input connector, if impedance matching is required.
4. Select input coupling by setting the FUNCTION switch to AC (out) or AC + DC (in), as desired.
5. Select the desired range. Use automatic or manual method, as desired.
6. Set the DISPLAY switches to select the desired measurement mode: volts, dB, or dBm. If dB is selected, establish a 0 dB reference.
7. Observing safety considerations, connect the test leads to the measurement points. The results are displayed on the 8922A readout.

## Section 3

# Theory of Operation

### 3-1. INTRODUCTION

3-2. The information in this section describes the theory of operation for the 8922A True RMS Voltmeter. The theory has been divided into two major headings; overall functional description and detailed block diagram description. To gain maximum benefit from this section, we recommend that you read each paragraph in the order presented while referring to the associated figure or the appropriate schematic in Section 8.

### 3-3. OVERALL FUNCTIONAL DESCRIPTION

3-4. As you can see in Figure 3-1, the circuitry of the 8922A can be divided into two sections; analog and digital. An overall functional description of these two sections is presented in the following paragraphs.

### 3-5. Analog Circuitry

3-6. The analog section comprises the largest portion of the 8922A circuitry. As shown in Figure 3-1, this section is broken down into the following areas: the signal conditioner, the rms converter and the power supply.

3-7. Referring to Figure 3-2, you can see that the signal being measured by the 8922A can be coupled to the signal conditioner in one of two ways (AC or AC + DC). When you place the FUNCTION switch on the front panel to the AC position all input signals are capacitively coupled; when the AC + DC position is selected the input signal is dc, or directly coupled. This feature contributes to the measurement accuracy when dc components are present in the input signal.

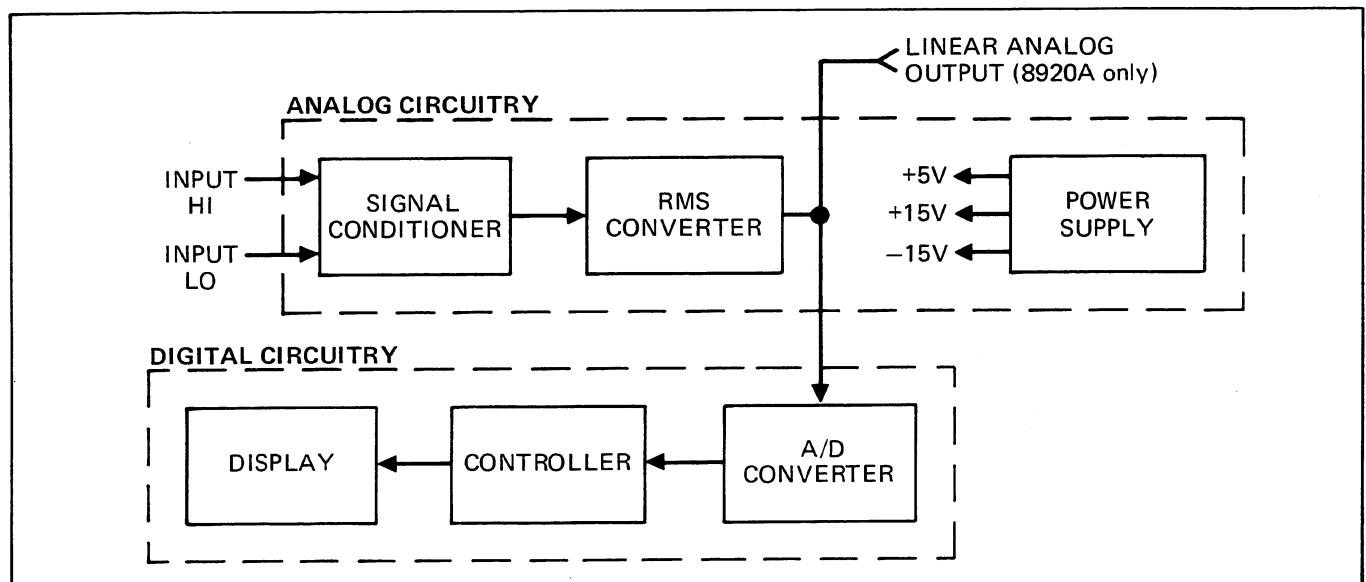


Figure 3-1. Overall Block Diagram

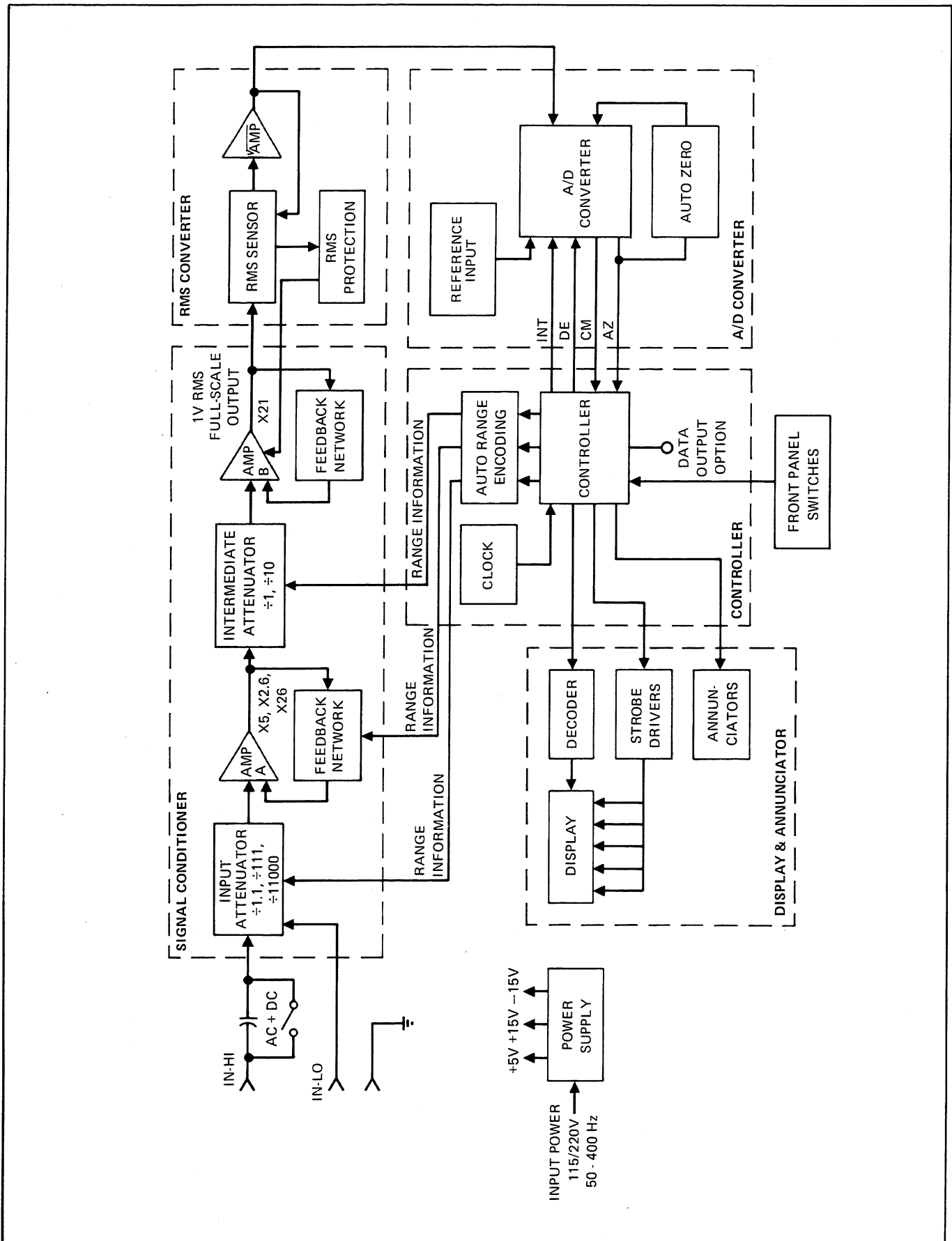


Figure 3-2. Detailed Block Diagram

3-8. The signal conditioner insures that the varying levels of instrument input voltages are properly scaled before being applied to the rms converter. The rms converter works on a thermal sensing principle. Basically, it operates by balancing the heating power of a dc feedback signal to the heating power of the ac input signal. When the two are equal, the circuit is in equilibrium and the dc output voltage applied to the A/D converter is directly representative of the true rms value of the ac input signal. The dc output of the rms converter is also applied to the LINEAR ANALOG OUTPUT terminals on the rear panel of the 8922A, as well as the analog meter on the front panel of the 8922A.

3-9. The last analog circuit we discuss in this section is the power supply. This circuit provides three regulated power supplies (+5V, +15V and -15V) to operate the instrument.

### 3-10. Digital Circuitry

3-11. The digital circuitry comprises the A/D converter, the controller, and the display. Together these circuits develop a digital representation of the rms value of the input signal, produce the commands that set the range and function of the instrument, and finally display the input value.

3-12. The dc output of the rms converter is translated to a digital representation by the A/D converter. The digital

representation is processed by the controller to obtain a bcd output which is proportional to the selected display mode (VOLTS, dB, dBm, REL). The BCD output is decoded and applied to the display.

### 3-13. DETAILED BLOCK DIAGRAM DESCRIPTION

3-14. In the following paragraphs we discuss, in detail, the individual functions within the major areas of circuitry in the 8922A. Each major circuit area is detailed in Figure 3-2. The description for each circuit is keyed to a separate block diagram, or to the schematics in Section 8.

### 3-15. Signal Conditioner

3-16. The signal conditioner utilizes an input attenuator, two amplifiers (Amp A and B) and the intermediate attenuator. As shown in Figure 3-3, these circuits are used to scale the varying voltage levels applied to the instrument so that the input to the rms converter is always between 0.09V rms and 1V rms. The diagram in Figure 3-3, illustrates the configuration of the circuitry within the signal conditioner. The controller, through a range decoder network, issues commands which select the appropriate division factor in the attenuators and the correct multiplication factor for amplifier A. Table 3-1, lists each operating range and the corresponding division and multiplication factors for the attenuators and amplifier (note that amplifier B has a fixed gain of X21).

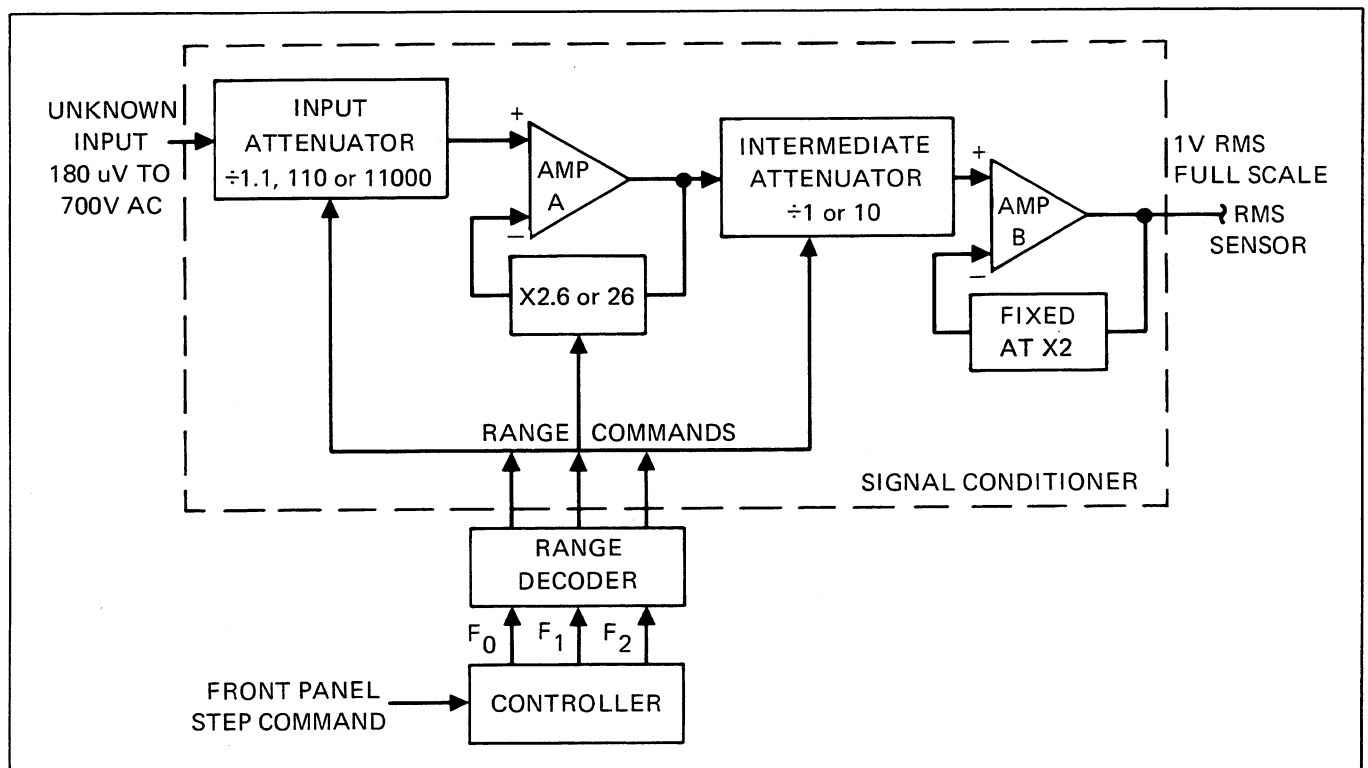


Figure 3-3. Signal Conditioner

Table 3-1. Signal Conditioner Gain Configuration

RANGE	INPUT ATTENUATOR	AMP A	INTERMEDIATE ATTENUATOR	*CONDUCTING COMPONENTS
2 mV	$\div 1.1$	X26	$\div 1$	K1, Q6, Q28, Q32
20 mV	$\div 1.1$	X2.6	$\div 1$	K1, Q6, Q29, Q32, Q57
200 mV	$\div 1.1$	X2.6	$\div 10$	K1, Q6, Q29, Q31, Q57
2V	$\div 110$	X2.6	$\div 1$	K2, Q3, Q5, Q29, Q32, Q57
20V	$\div 110$	X2.6	$\div 10$	K2, Q3, Q5, Q29, Q31, Q57
200V	$\div 11,000$	X2.6	$\div 1$	K2, Q4, Q5, Q29, Q32, Q57
700V	$\div 11,000$	X2.6	$\div 10$	K2, Q4, Q5, Q29, Q31, Q57

\* Refer to the schematics in Section 8.

The last column lists the component's FETs and relays, that conduct to establish gain configuration of the circuits (see the schematics for details on components).

### 3-17. RMS Converter

3-18. The 8922A uses a thermal rms converter circuit which supplies a dc output voltage proportional to the rms value of the ac input. The thermal sensor is a pair of resistor-transistor elements thermally isolated from each

other and the case (see Figure 3-4). The ac input signal ( $V_{ac}$  from amp B) produces a temperature change in the rms sensor's input resistor which is sensed by the associated transistor and causes a voltage change at the negative input of the integrator. Feedback, through the square root amplifier, provides a dc voltage to the rms sensor's output resistor so that a similar temperature rise occurs in the output resistor. The sensor gain is not constant with changes in input amplitude. These changes in gain are compensated for by the square root amplifier to maintain a constant response time for level changes.

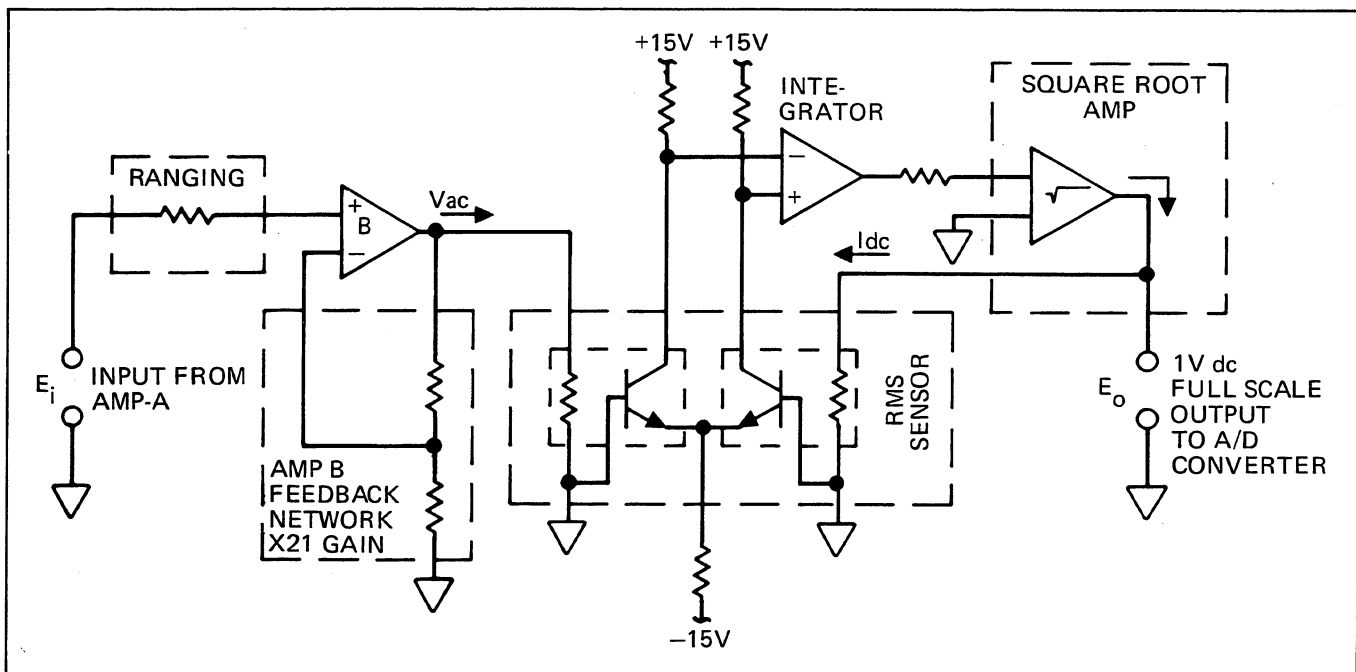


Figure 3-4. RMS Converter



3-19. The rms sensor is susceptible to damage from overvoltage inputs. During an overload condition, the protection circuit will clamp the output of Amplifier B to prevent damage to the sensor. Overload conditions would result during turn on, turn off, or any time the rms value of the applied input exceeds the operating range of the sensor.

### 3-20. A/D Converter

3-21. A dual-slope integration A/D conversion technique is used in the Model 8922A. This method applies the unknown voltage to a capacitor and allows the capacitor to charge for a specific time interval. At the end of this interval, the unknown voltage is removed (the charge on the capacitor at this time will be proportional to the level of the unknown voltage). Then a known voltage of opposite polarity is applied to the capacitor, and clock pulses are counted while the capacitor discharges. When the capacitor has reached its original charge point, the number of clock pulses counted is a digital construct of the analog voltage input to the A/D converter.

3-22. For the following discussion refer to Figure 3-5, the A/D Converter Simplified Schematic and Timing Diagram, and Figure 3-6, Controller Timing (A/D Converter).

3-23. At the beginning of the measurement cycle, INT goes high and the dc output of the rms sensor is applied to the A/D integrator for 100 msec. Capacitor, C203, charges up from the auto zero level at a rate proportional to the applied input voltage and the comparator's output, CM, is driven low. At the end of the 100 msec integrate period, DE (-) goes high, applying the reference voltage to the integrator. The integrator then discharges at a rate which is constant for all on scale inputs and the controller begins counting clock pulses. When C203 has discharged to the auto zero level, CM will go high, the controller will stop counting and the reading is displayed. This starts the auto zero period which allows the A/D converter circuitry to settle before the next cycle begins. If CM has not occurred before the end of the 200 msec maximum DE (-) period, the input will have exceeded the present range. In this case, the DE period will continue until either CM or the end of the 100 msec AZ1 occurs. When the AC + DC function is selected, all timing increase approximately 2.5 times.

### 3-24. Controller

3-25. The controller is a custom LSI that controls autoranging, the A/D converter, the display, and annunciators. In addition, the Controller can count in a

non-linear (dB) scale and display its count in dB units. A summarized description of each input and output pin used on the controller is give in Table 3-2 and shown in Figure 3-7.

### 3-26. AUTORANGING

3-27. Autoranging is the automatic selection of the instrument's range by the controller. With the low range enabled, the instrument may range through seven voltage ranges from 2 mV to 700V rms. Autoranging also applies in the dB modes but gives the effect of a single range spanning 132 dB. By coding the logic levels on the three lines, F0, F1, and F2, the controller selects a range (see Table 3-3, Output Range Codes) by setting up the circuit conditions of the input and intermediate attenuators and amplifier A that are necessary for signal conditioning in that range. (See Table 3-1, Signal Conditioner Gain Configuration.) If the controller senses that the input is above or below the selected range (see Table 3-4, Over/Underload Conditions), it shifts up or down one range (depending upon the direction sensed) and halves its cycle time. The controller blanks the display and determines whether the input to the instrument is now in range or if a further change in range is necessary. When the proper range is found, display blanking is removed and the cycle time returns to normal. Use of the HOLD RANGE control will command the Controller to remain at the present range (see Table 3-5, Input Range Codes) via command input line D, E, and F. A signal from the STEP UP RANGE control will increment the instrument one range.

### 3-28. COMPUTATIONS

3-29. The controller is able to count (compute) in two modes, linear or non-linear. The following paragraphs will explain how the controller obtains its linear (volts) or non-linear (dB) readings.

### 3-30. Voltage Computations

3-31. To make a voltage measurement the controller must linearly count clock pulses for a time determined by the A/D converter. Referring to Figure 3-7, you can see that when the dB/VOLTS switch is placed in its up (out) position the rate multiplier (RM) will be shunted and the main counter will count the number of clock pulses exactly as they occur (linear). As soon as the integrator in the A/D converter reaches the auto-zero point, CM will go high, commanding the main counter to stop counting and start shifting its count to the data latches. A count of clock pulses, in BCD format, that is proportional to the true rms value of the signal being measured. The BCD data is then shifted out of the controller, to a seven-segment decoder on four lines: W, X, Y and Z.

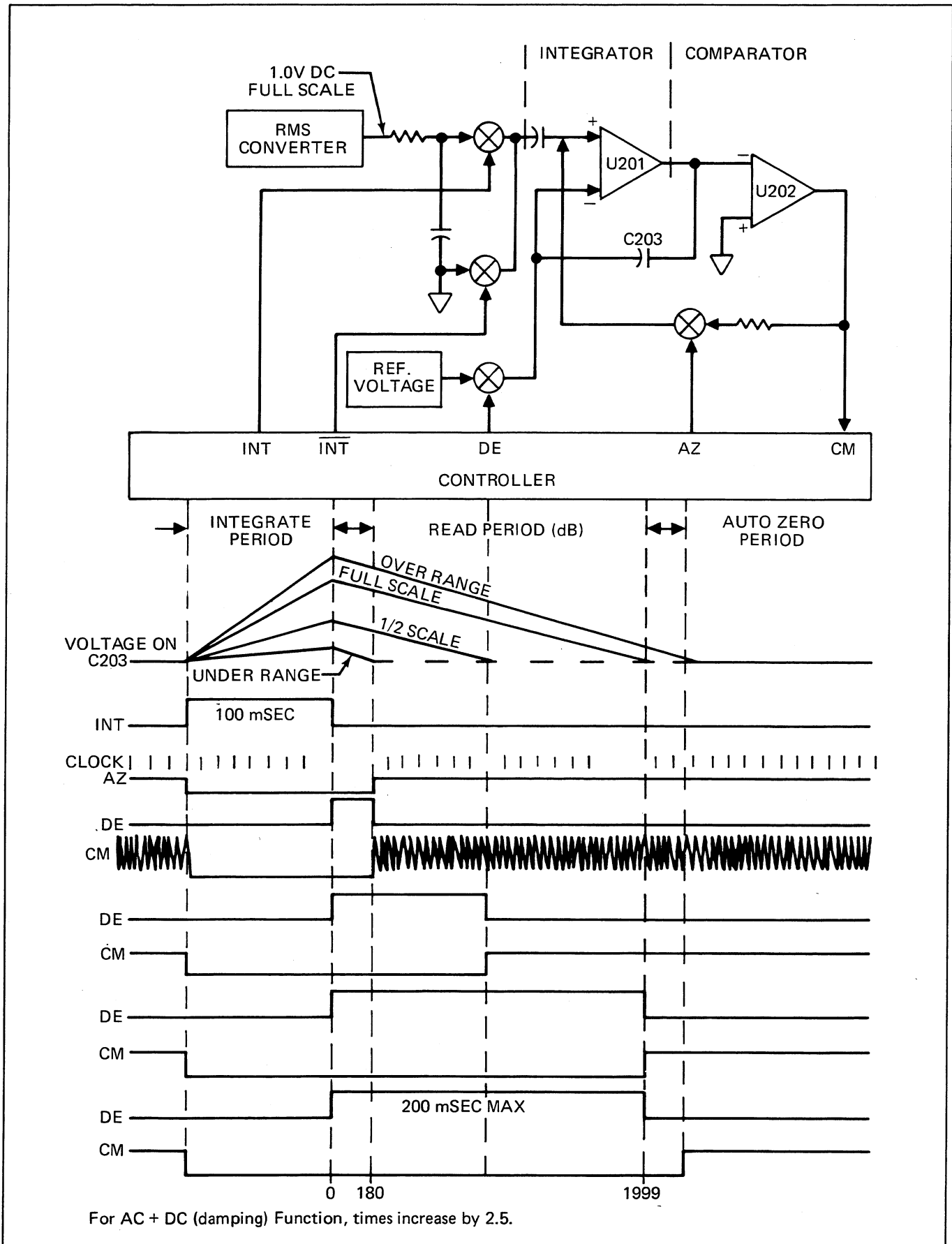


Figure 3-5. A/D Converter Simplified Schematic and Timing

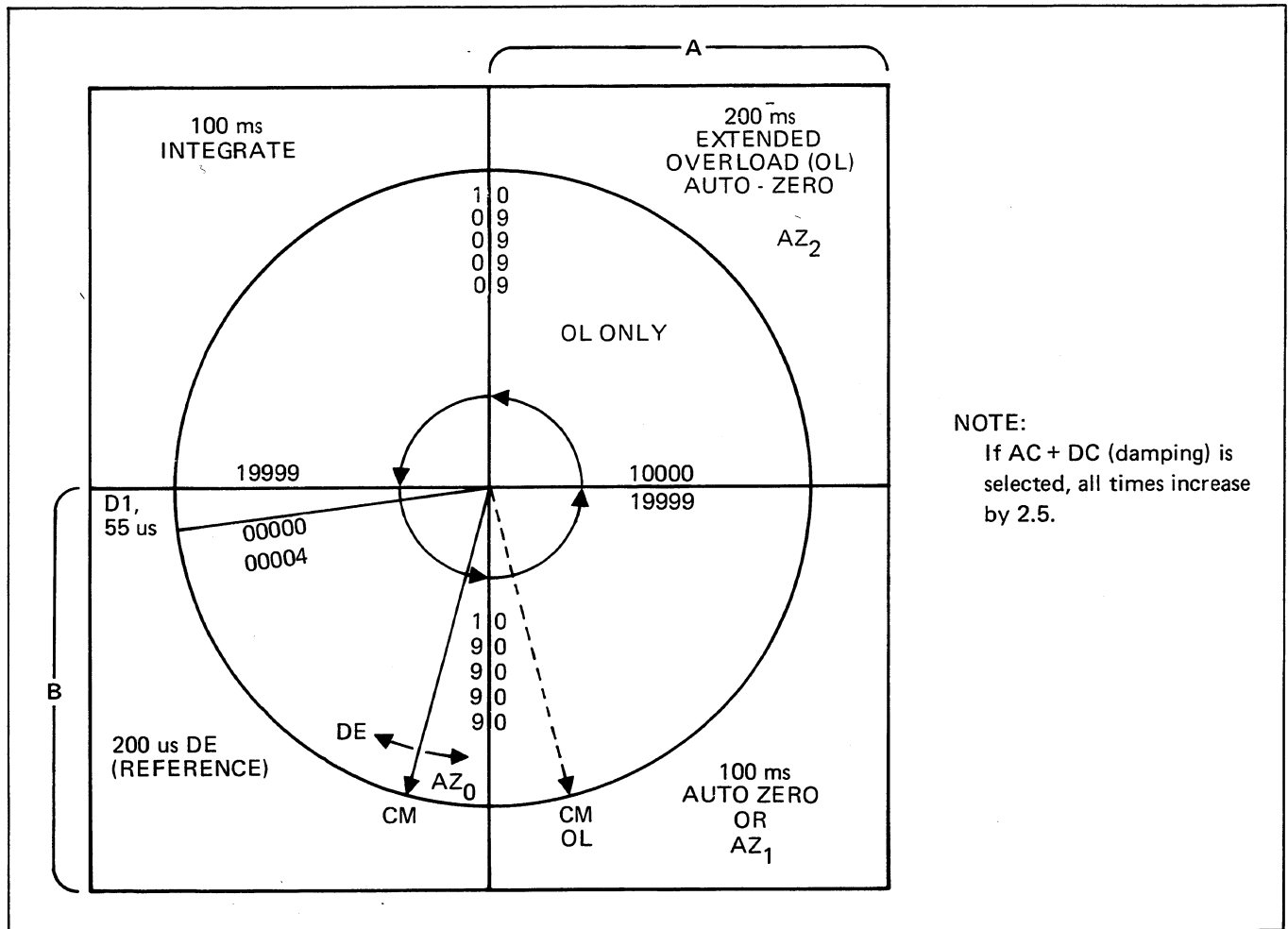


Figure 3-6. Controller Timing (A/D Converter)

Table 3-2. Controller Summary

INPUT/OUTPUT	PIN #	PIN NAME	PIN DESCRIPTION
Input	1	V <sub>SS</sub>	+5V supply
Input	2	CM	Compare signal from A/D Converter.
Input	3	CL <sub>1</sub>	External Oscillator input.
Input	4	CL <sub>2</sub>	400 kHz crystal input for internal oscillator.
Output	5	$\overline{RG}$	Negative going pulse in the middle of each strobe. Insures strobed data for DOU is valid.
Output	6-10, 12-14	ST <sub>0</sub> -ST <sub>7</sub>	Eight strobes that indicate which LED is to be enabled and accept the data on lines W, X, Y and Z.
Input	11	RD	Impedance reference selection line, in dB.
Output	15-17	F <sub>0</sub> -F <sub>2</sub>	Encoded range lines, F <sub>0</sub> = MSB, F <sub>2</sub> = LSB, code equals range # + 1, voltage swings from; -15 to 0V.
Input	18	$\beta$	Strobe input on this pin determines the lower range limit.
Input	19	$\alpha$	Strobe input on this pin determines the upper range limit.
Output	20	DP	Enables display decimal point.
Input	21	V <sub>DD</sub>	Ground, 0V supply.

Table 3-2. Controller Summary (cont)

INPUT/OUTPUT	PIN #	PIN NAME	PIN DESCRIPTION
Output	22	BZ	Indicates new data is ready for DOU, occurs after CM, one strobe raster long.
Input	23-25	F, E & D	Enables controller ranging, see Table 3-5.
Output	26-29	W, X, Y & Z	BCD data, W = MSB, Z = LSB, TTL compatible.
Output	30	$\overline{\text{BLK}}$	Drives blanking input on display decoder driver, TTL compatible.
Input	31	$\overline{\text{K}}$	700V range overload enable.
Input	32	VGG	-15V supply.
Input	33	$\overline{\text{J}}$	Enables 3½ or 4½ digit display in linear mode and determines (in combination with RD) the fixed reference in dB mode.
Input	34	T <sub>1</sub>	Test (not used).
Input	35	dB	Enables dB display mode.
Output	36	$\overline{\text{INT}}$	Enables not integrate period of A/D Converter.
Output	37	INT	Enables integrate period of A/D Converter.
Output	38	AZ	Enables auto zero period of A/D Converter.
Output	39	DE (-R)	Enables integrate reference period for positive input of A/D Converter.
Output	40	DE (+R)	Enables integrate reference period for negative input of A/D Converter (not used).

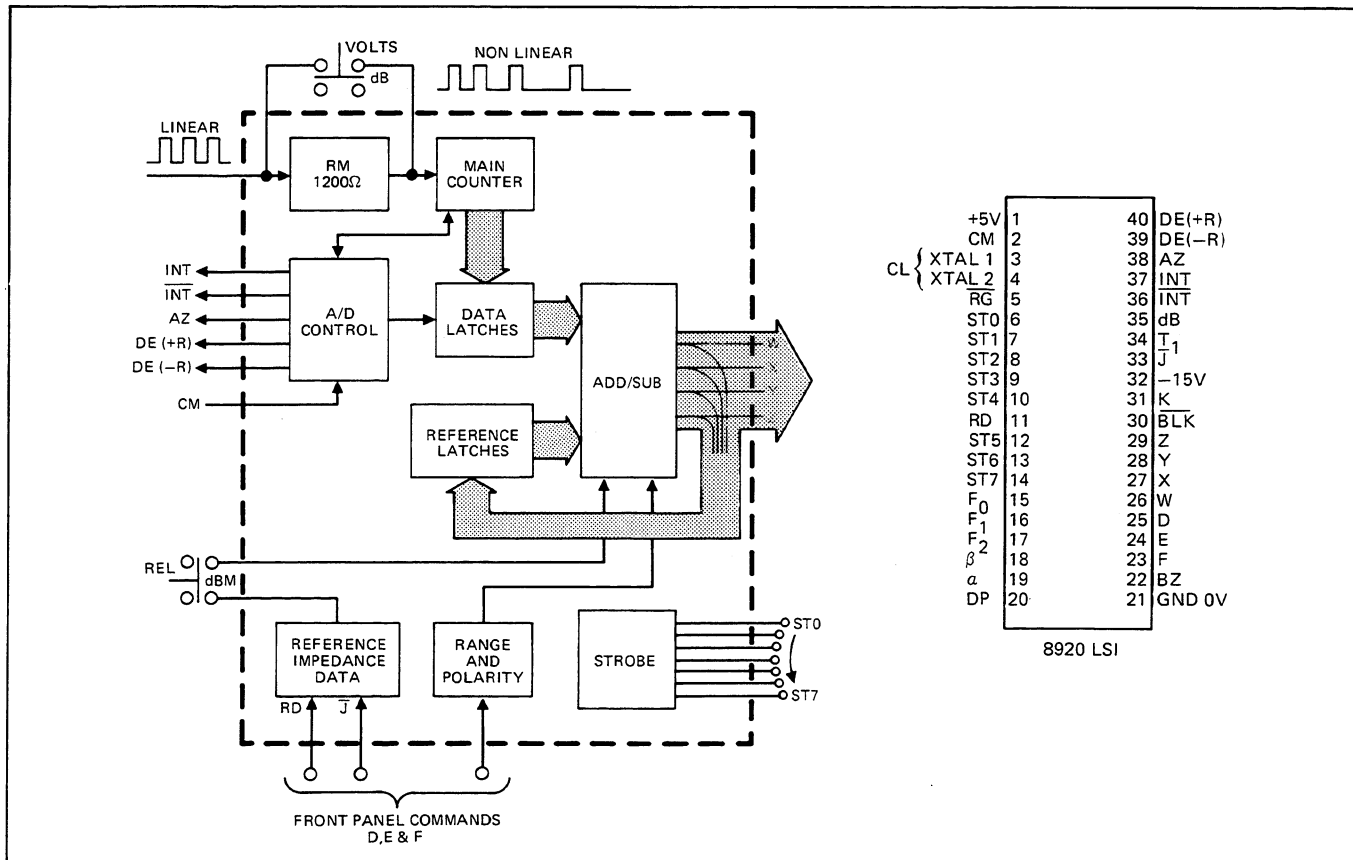


Figure 3-7. Controller Functions

Table 3-3. Output Range Codes

RANGE	DATA LINES		
	F <sub>0</sub>	F <sub>1</sub>	F <sub>2</sub>
2 mV	0	0	1
20 mV	0	1	0
200 mV	0	1	1
2V	1	0	0
20V	1	0	1
200V	1	1	0
700V	1	1	1

Table 3-4. Over/Underload Conditions

	LINEAR	dB*
Overload: except for 700 700V range:	>1999 $\beta$ >700 $a$	25.30 (20V range) 56.10
Underload: minimum input for accurate dB conversion	<180 132	4.30 (20V range) 1.60 (20V range)

\*dB calculations are based on a 1200 ohm reference impedance and 20V range. The calculation is then corrected for the proper range and the selected impedance by the addition of the appropriate constant, which may be calculated from the following equation:  

$$20 \log \sqrt{1.2-20} \log \sqrt{0.001R + N} (20).$$
 Where N = number of ranges above or below the 20V range, i.e., 2 mV range N = X4

Table 3-5. Input Range Codes

COMMAND LINES			8922A CONTROLLER FUNCTION
D	E	F	
0	0	1	Auto range fast range cycle
1	0	0	Hold present range (overridden by $a$ & $\beta$ )
1	1	0	Range up at CM time (overridden $a$ & $\beta$ )

## 3-32. dB Computations

3-33. If the dB/VOLTS switch is in the dB position, a non-linear count of the clock pulses is enabled. The binary rate multiplier (RM) passes only a fraction of the clock pulses on to the controller's main counter (see the illustrated input to the main counter on Figure 3-7). This count approximates the logarithmic curve of the dB scale and, like the VOLTS mode, is stored in the data latches.

## 3-34. dBm Reference

3-35. Don't let the m confuse you, it simply means that the power level, as measured in "dB Computations", is referenced to 1 mW. In other words, when the instrument reads 0 dB the system being measured will be dissipating 1 mW of power. The following will explain how the controller obtains a measurement of power referenced to 1 mW (dBm).

3-36. In order for the controller to obtain a measurement in dBm, the appropriate reference impedance must be used. A 1200 ohm reference impedance is assumed by the RM. Therefore, if any other reference is desired an appropriate constant must be added or subtracted from the count. The dBm REFERENCE rotary switch connects one of the eight strobes to RD and J. The controller responds by sending the appropriate constant to its ADD/SUB.

3-37. Referring to Figure 3-7, let's assume that a 600 ohm reference impedance is selected and the instrument has previously made a relative measurement. Strobe zero will be applied to RD until the REL/dBm switch is placed in its dBm position. At this time strobe 4 (corresponding to 600 ohms) is applied to RD and causes the controller to select the 600 ohm reference impedance data. This data along with the range and polarity data is then shifted to the ADD/SUB where it is combined with the count referenced to 1200 ohms. The resultant value is now equivalent to a dBm reading referenced to 600 ohms. The range and polarity data is held in the reference latches until RD or J detect a strobe change or unless the instrument is turned off. (Switching to the VOLTS mode will not cause the data in the reference latches to be lost.)

## 3-38. Relative (REL) Reference

3-39. Relative reference measurements allow any voltage input to become the 0 dB point to which all subsequent voltage inputs are referenced. The controller makes a relative reference computation much the same way it made a dBm computation. However, in the REL mode, 0 dB no longer refers exclusively to 1 mW. The following explains how the controller makes a relative reference measurement.

3-40. Referring the Figure 3-7, you can see that upon selection of the REL mode, the reference impedance data line will be disabled. However, to make a relative

reference measurement the controller must use an initial reading, and to obtain an initial reading it must use a reference impedance. Therefore, before the REL mode can be selected the controller must be allowed to make at least one complete measurement while in the dBm mode. Once the measurement has been completed the REL mode may be selected. The reading will now be fed back to the reference latches and held. The controller will subtract the reading in the reference latches from all subsequent readings. Note that if the instrument is ranged up/down, 20 dB will be added to or subtracted from the reading held in the reference latches. The reading held in the reference latches, however, will be lost any time the instrument is turned off or if the REL switch is released.

### 3-41. Display and Annunciators

3-42. The computed value of the input to the instrument is transmitted serially as four-bit BCD characters on the W, X, Y, and Z data lines from the controller to the seven-segment-decoder, see Figure 3-8, Display and Annunciators. The output of the seven-segment-decoder drives the Display Data Bus, which is common to the inputs of all five of the display LEDs. Strobe pulses from the controller determine which display LED is enabled to accept the data on the Display Data Bus. ST4 through ST7 strobes the seven-segment LEDs from LSD to MSD, respectively. ST0 gates the  $\pm 1$  digit. If the volts display mode is selected,  $3\frac{1}{2}$  digits will be enabled resulting in a resolution of 0.05%. If the dB display mode is selected,  $4\frac{1}{2}$  digits will be enabled and the resolution will be 0.01 dB. The decimal point is enabled separately by the DP line from the controller.

3-43. the annunciators, excepting the UNCAL, are strobed on by ST0 which is routed through two circuits. One path is completed when the dB/VOLTS switch is in the dB position. The dB annunciator DS309 is enabled. If the REL/dBm control is in the REL position, RELATIVE REFERENCE annunciator, DS308, will also be enabled. If the dB/VOLTS switch is in the VOLTS position, ST0 is routed through another path and either the V annunciator, DS307, or the mV annunciator, DS306, is enabled depending upon the current range of the instrument.

### 3-44. Power Supply

3-45. The power supply section on the Main PCB provides the instrument with operating voltages of +15V, -15V, and +5V.

3-46. Line voltage (100V, 120V, 220V or 240V, as selected by switches S209 and S210) is connected to the primary of the main power transformer, T200 via POWER switch, S208, and fuse, F1. the secondary of T200 contains two windings. One winding drives the +5V power supply, the other drives the  $\pm 15V$  power supply.

3-47. In the +5V power supply, power from the secondary winding is full-wave rectified by CR205, filtered by C211, and regulated by VR203.

3-48. In the  $\pm 15V$  power supply, power from the secondary winding is full-wave rectified by CR204, filtered by C209 and C210, and regulated to +15V by VR202. The -15V is regulated by U211 and Q207.

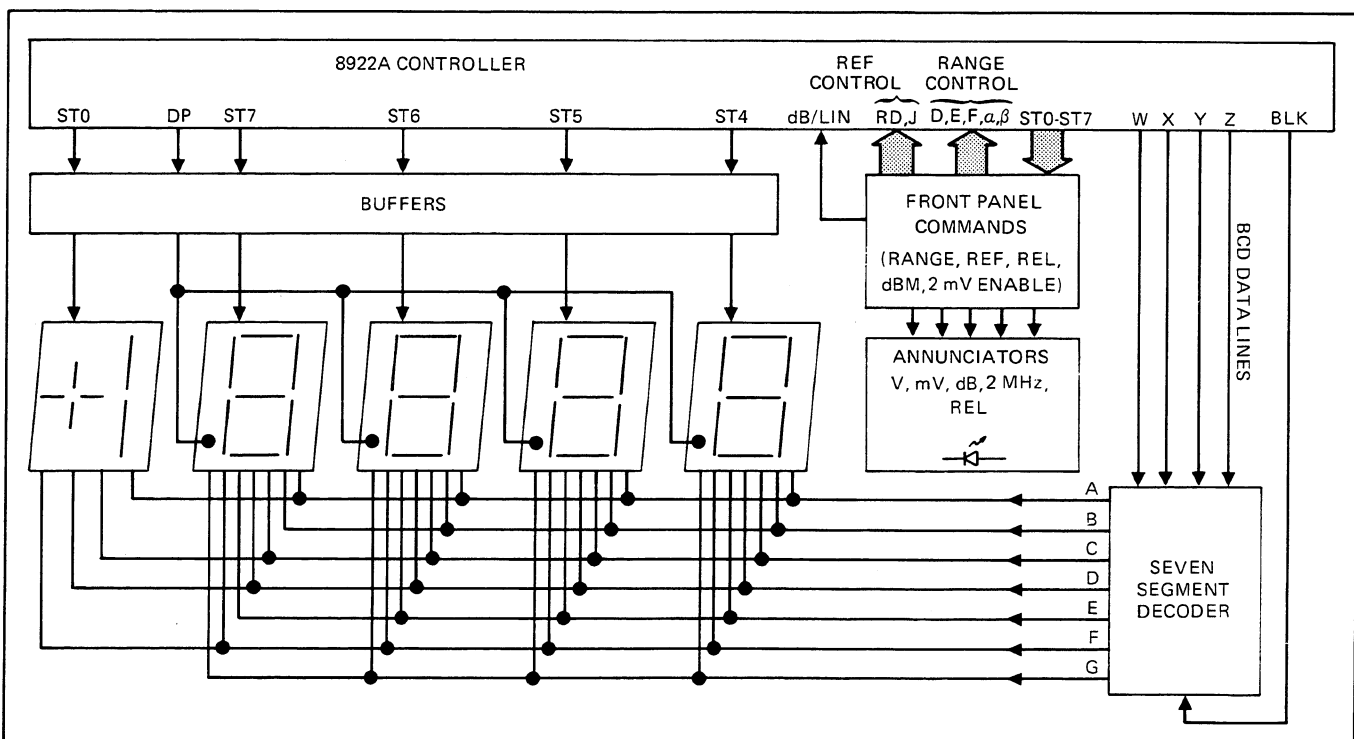


Figure 3-8. Display and Annunciators

## Section 4

# Maintenance

### WARNING

**THESE SERVICING INSTRUCTIONS ARE FOR USE BY QUALIFIED PERSONNEL ONLY. TO AVOID ELECTRIC SHOCK, DO NOT PERFORM ANY SERVICING OTHER THAN THAT CONTAINED IN THE OPERATING INSTRUCTIONS UNLESS YOU ARE QUALIFIED TO DO SO.**

#### 4-1. INTRODUCTION

4-2. This section of the manual contains maintenance information for the Model 8922A True RMS Voltmeter. The material is presented under the categories of shipping information, general maintenance, performance test, calibration adjustments, and troubleshooting. The performance test is recommended as an acceptance check when the instrument is first received and as performance verification test at regular intervals. Table 4-1 lists the test equipment required to calibrate your 8922A. If the recommended equipment is not available, you may substitute equivalent equipment that meets the required characteristics.

#### 4-3. SERVICE INFORMATION

4-4. The 8922A is warranted for a period of 1 year upon delivery to the original purchaser. The warranty is located on the back of the title page.

4-5. Factory authorized calibration and service for your 8922A is available at various locations throughout the world. A complete list of these factory authorized service centers is included in Section 7. If requested, an estimate will be provided to you before work is begun on an instrument that is beyond the warranty period.

#### 4-6. GENERAL MAINTENANCE

##### 4-7. Access Information

4-8. To gain access to the interior of the instrument, remove the four screws located on the bottom of the case. The top cover can now be removed.

##### 4-9. INPUT POWER SELECTION





4-10. The 8922A may be operated from any one of the line voltages shown in Table 4-2. Use the following procedure to prepare the instrument for use with the local line power.

1. Disconnect the instrument from the line power and remove its top cover (four screws on the bottom of the unit hold the top cover in place).
2. Set switches, S209 and S210, to the positions indicated in Table 4-2 for the desired line voltage.
3. Install the top cover and connect the unit to line power.

Table 4-1. Recommended Test Equipment

EQUIPMENT NOMENCLATURE	REQUIREMENT	RECOMMENDED EQUIPMENT
Precision AC Calibrator and Power Amplifier	19 mV to 600V 20 Hz-50Hz, $\pm 0.2\%$ 50 Hz-50 kHz, $\pm 0.1\%$	John Fluke 5200A & John Fluke 5205A
DC Voltage Calibrator	$\pm 0.5\% \pm 3 \mu V$ (AC Component $< 100 \mu V$ )	John Fluke 341A
Leveled Generator	Short term stability, drift and adjustment resolution $< .1\%$ Freq. range 50 kHz-11 MHz or greater.	Tektronix SG-503/ Series 500 Mainframe
DVM	3½ digits, 0.25% Resolution	JF-8020A
Flat Attenuator, 20 dB (three required)	Flatness 50 kHz-1 MHz, $\pm 0.1\%$ 50 kHz-10 MHz, $\pm 0.5\%$	GR, 874-G20L
1V Transfer Standard	50 kHz-11 MHz, $\pm 0.1\%$	JF-A55 1V
GR Tee Adapter Adapter Adapter	874 874-BNC (2 required) 874-BNC Banana-BNC	GR, 874-TL GR, 874-QBPAL GR, 874-QBJAL Pomona 1296
Feed thru 50Ω Termination	1 GHz rated	TEK, 011-0049-01
RMS Voltmeter	2 Hz-10 Hz $\pm 1\%$	JF-931
Function Generator	2 Hz Sine wave	

Table 4-2. Input Power Selection

SWITCH POSITION (REAR PANEL)	SELECTED LINE SOURCE ac $\pm 10\%$ , 10 WATTS MAX
	120V, 50-400 Hz
	100V, 50-400 Hz
	220V, 50-400 Hz
	240V, 50-400 Hz (250V, MAX)



## 4-11. Cleaning

### CAUTION

**Do not use aromatic hydrocarbons or chlorinated solvents for cleaning. These solutions will react with the plastic materials of the instrument.**

4-12. Clean the front panel and case with denatured alcohol or a mild solution of detergent and water. Clean dust from the interior of the instrument with dry, low pressure air (20 psi). Contaminants can be washed from the circuit board with demineralized water and a soft brush (avoid getting excessive amounts of water on the switches).

## 4-13. Fuse Replacement

4-14. The 8922A has one replaceable fuse located on the rear panel which may be replaced with a 1/8 amp, slo-blo fuse (Metric uses 5x20 mm, 1/8 amp slow acting).

## 4-15. PERFORMANCE TEST

### NOTE

*In the following procedures the instrument (8922A) which is being either checked or calibrated is referred to as the UUT (Unit Under Test).*

4-16. The following paragraphs comprise a performance verification test which compares the instrument's performance to the specifications given in

Section 1 of this manual. The test is recommended as an acceptance test when the instrument is first received and later as a calibration procedure to verify instrument accuracy at the scheduled calibration periods (90-days). It can also be used as an aid in troubleshooting. Test equipment required for the performance test is listed in Table 4-1. If the recommended test equipment is not available, equivalent test equipment may be substituted. To insure optimum results, the test must be performed at an ambient temperature between 18 and 28 degrees Celsius with a relative humidity of 80%. Allow the instrument to warmup at least 30 minutes, with the case cover in place, before attempting the performance test.

4-17. If the instrument fails to meet the performance test limits, calibration adjustment, troubleshooting, and/or repairs are indicated. Procedures for calibration adjustments and troubleshooting are given later in this section of this manual.

### NOTE

*In all of the procedures in this section, precautions should be taken to minimize ground currents, stray fields, etc.*

## 4-18. Low and Midband Performance Check (Volts Display Mode)

4-19. This procedure will verify that the UUT's low and midband performance is within the limits specified in Section 1. Set up the test equipment as shown in Figure 4-1, and select the required function and input signal as indicated in Table 4-3. Note any deviation between the UUT performance and the specified limits.

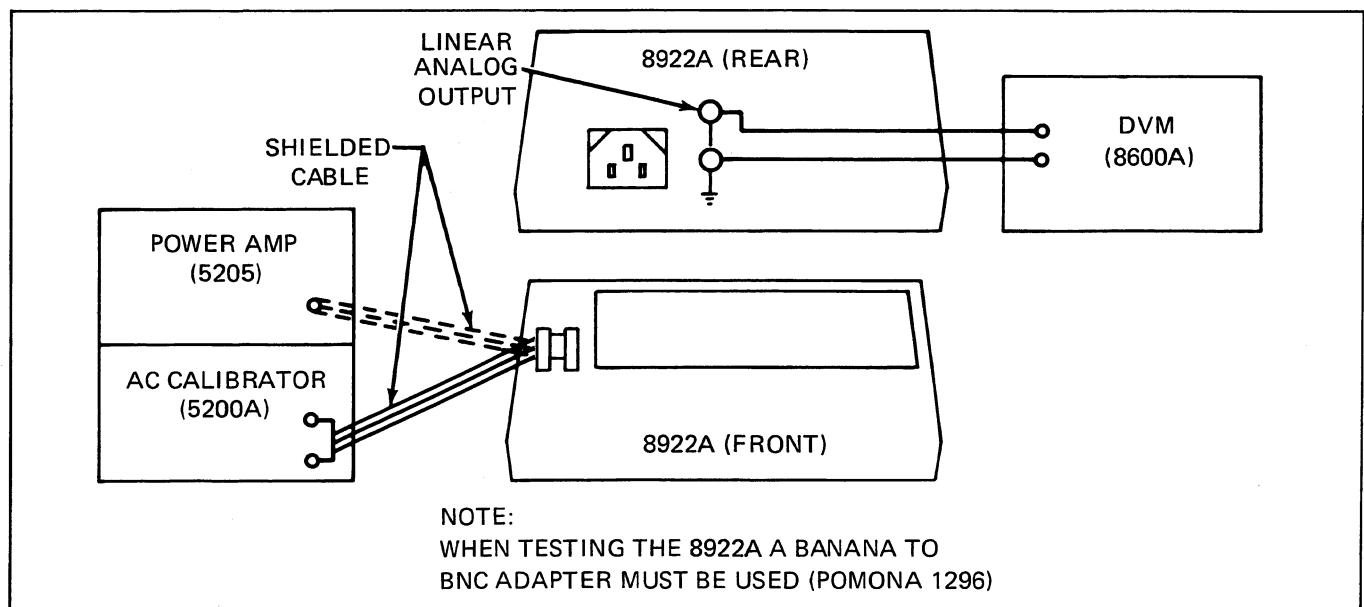


Figure 4-1. Low and Midband Performance Test Set-Up

Table 4-3. Low and Midband Performance Checks (Volts Display Mode)

FUNCTION MODE	RANGE	INPUT		DISPLAY	LIMITS or COUNTS	COMMENTS
		LEVEL	F(Hz)			
AC, AUTORANGE	2 mV	1.9 mV	500	1.000	±38	Note that the mV annunciator is lit.
AC, AUTORANGE	20 mV	10 mV	500	10.00	±10	Note that the mV annunciator is lit.
AC, AUTORANGE	200 mV	100 mV	500	100.0	±5	Note that the mV annunciator remains lit.
AC, HOLD	2V	3V	500	1.999		Verify that display flashes 1.999 signifying overrange.
AC, HOLD	2V	1V	500		±.01V	Measure 1V on the linear analog output. Note that the test instrument's reading is within ±.01V of UUT's displayed reading.
AC, HOLD	2V	.2V	500		±.002V	Measure 0.2V on linear analog output. Note that the test instrument's reading is within ±.002V of UUT's displayed reading.
AC, HOLD	2V	.17V	500	.17		Verify that decimal flashes signifying below 9% of range.
AC, AUTORANGE	2V	1V	500	1.000	±5	Note that the V annunciator is lit.
AC, AUTORANGE	20V	10V	500	10.00	±5	Note that the V annunciator remains lit.
AC, AUTORANGE	200V	100V	500	100.0	±5	Note that the V annunciator remains lit.
AC, AUTORANGE	20 mV	10 mV	50K	10.00	±10	Note that the UUT autoranges down to the 20 mV range.
AC, AUTORANGE	200 mV	100 mV	50K	100.0	±5	
AC, AUTORANGE	2V	1V	50K	1.000	±5	
AC, AUTORANGE	20V	10V	50K	10.00	±5	
AC, AUTORANGE	200V	100V	50K	100.0	±5	
AC, AUTORANGE	700V	600V	500	600	±3	Use the 5205A for this test.
AC, AUTORANGE	2V	1V	2 Hz	1.000	±50 (4 to 7 digit fluctuation)	Use rms voltmeter and function generator.

#### 4-20. dB Display Mode Check

4-21. This procedure will verify that the UUT's dB display mode is functioning properly. Set up the test equipment as shown in Figure 4-1. Depress the RANGE HOLD switch and step up to the 2V range. Select the 1V range on the AC calibrator and adjust its output for 1.000 on the UUT's display. Select the dB display mode and switch through the dBm REFERENCE selection switch, checking the reading at each position against Table 4-4. The readings should not differ by more than  $\pm 1$  digit from the numbers given in Table 4-4.

#### 4-22. DC Low Level Check

4-23. This procedure will verify correct operation with low level DC inputs. Set up the test equipment as shown in Figure 4-2, and select the required function, range and input signal as indicated in Table 4-5. Note any deviation between the display of the UUT and the specified limits.

#### 4-24. AC Low Level Check

4-25. This procedure will verify that the UUT's low level AC performance meets the specifications of Section 1. Set up the test equipment as shown in Figure 4-3 and complete the AC Low Level Calibration procedure, but replace steps 2-d and 2-e with the following:

- d. Note that the UUT's display reads the same error as noted in step 1-f  $\pm 38$  digits.
- e. Note that the UUT's display reads  $0.1900 \pm 4$  digits.

#### 4-26. High Frequency Response Check

4-27. This procedure will verify that the UUT's high frequency response meets the specifications of Section 1. Set up the test equipment as shown in Figure 4-4, and select the required input amplitude and frequency as indicated in Table 4-6. Note any discrepancies between the display reading and the limits given.

Table 4-4. dB Display Mode Check

MODE	REFERENCE OHM	SOURCE	DISPLAY READING	COMMENTS
dBm	50	1.000	+13.00	Note that the dB annunciator is lit.
dBm	75	1.000	+11.24	
dBm	93	1.000	+10.31	
dBm	110	1.000	+9.58	
dBm	124	1.000	+9.06	
dBm	135	1.000	+8.69	
dBm	150	1.000	+8.23	
dBm	300	1.000	+5.22	
dBm	600	1.000	+2.21	
dBm	900	1.000	+ .45	
dBm	1000	1.000	- .01	
dBm	1200	1.000	- .80	
REL		1.000	+0.00	
REL		10.00	+20.00	Step up to the 20V range (note that the dB and REL annunciators remain lit).

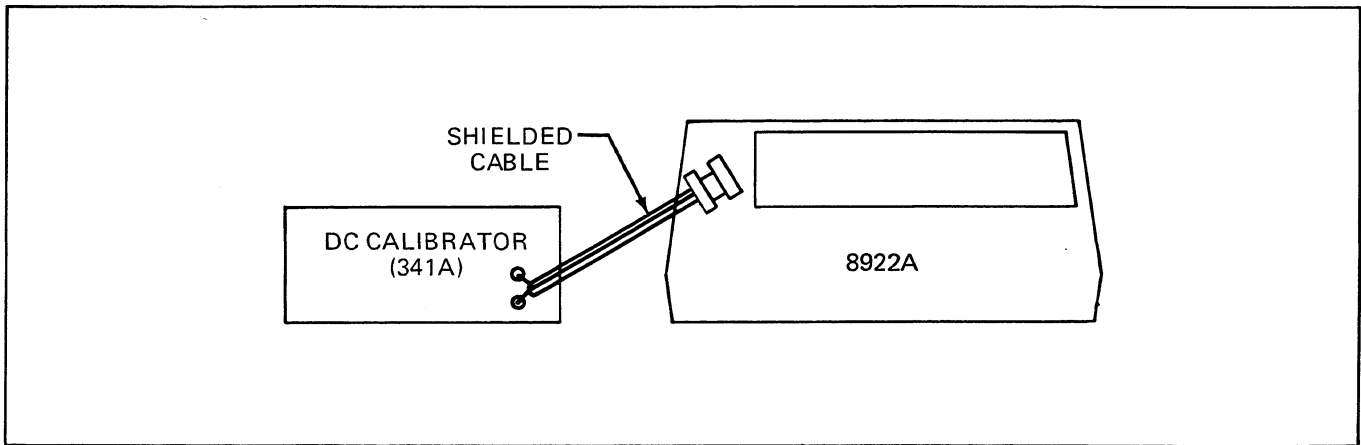


Figure 4-2. DC Low Level Check

Table 4-5. DC Low Level Check

DC INPUT	RANGE	FUNCTION	UUT DISPLAY ±6 COUNTS	COMMENT
1V	2V	AC + DC	1.000 ±30 counts	UUT dc circuitry functioning.
2 mV	AUTO	AC + DC	02.00 or mV rms (see comment) ±6 counts)	The ac input components should be less than 0.2 mV. (To achieve this set the FILTER switch to the IN position.) The mV ac component can be measured by temporarily selecting the AC switch. If it is greater than 0.2 mV; $\text{mV rms} = \sqrt{(2 \text{ mV dc})^2 + (\text{mV ac})^2}$

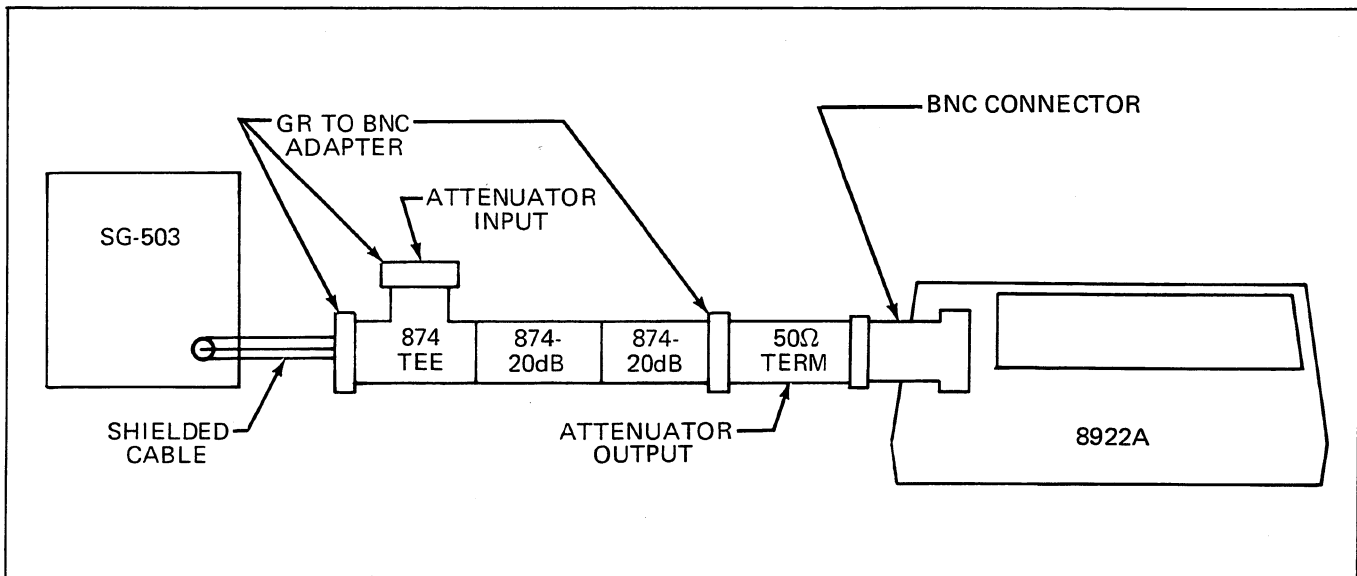


Figure 4-3. AC Low Level Check

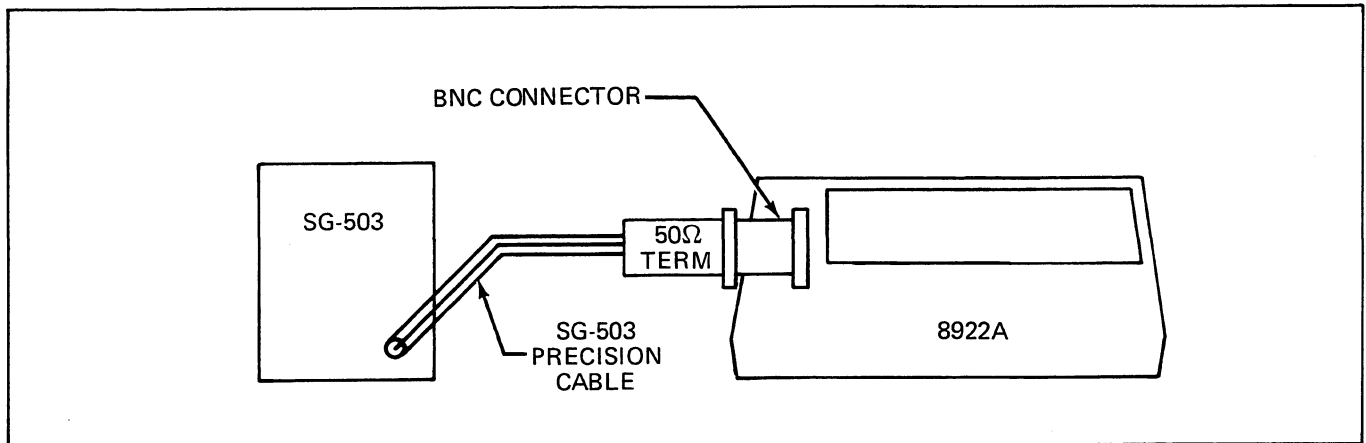


Figure 4-4. High Frequency Response Check

Table 4-6. High Frequency Response Check

FUNCTION MODE	RANGE	INPUT		DISPLAY	LIMITS ±COUNTS	COMMENTS
		LEVEL	F(Hz)			
AC, AUTORANGE	20 mV	17 mV	50K	17.00		Adjust the SG503 amplitude so that the display reads 17.00.
AC, AUTORANGE	20 mV	17 mV	11M	17.00	±85	Readjust the input frequency without changing the amplitude.
AC, AUTORANGE	200 mV	170 mV	50K	170.0		Adjust the SG503 amplitude so the display reads 170.0.
AC, AUTORANGE	200 mV	170 mV	11M	170.0	±85	Readjust the input frequency without changing the amplitude.
AC, AUTORANGE	2V	1.7	50K	1.700		Adjust the SG503 amplitude so the display reads 1.700.
AC, AUTORANGE	2V	1.7	11M	1.700	±85	Readjust the input frequency without changing the amplitude.

#### 4-28. CALIBRATION ADJUSTMENTS

4-29. The calibration adjustment procedures given in the following paragraphs should be performed after repair of the 8922A and/or when the instrument fails the performance test requirements. If the instrument will not respond to or meet the limits of the adjustment procedures, troubleshooting and repair is indicated. Equipment required for the calibration adjustment is listed in Table 4-1.

4-30. All calibration adjustments are accessible when the top case cover is removed from the instrument. Figure

4-5 identifies the location of assemblies, test points, and adjustments that must be accessed to complete the calibration adjustment procedures.

4-31. To ensure optimum results, the calibration adjustments must be performed at an ambient temperature of 18 to 28 degrees Celsius with a relative humidity of less than 80%. Allow the instrument to warmup (with the top case cover in place) for at least 60-minutes before starting the calibration adjustment procedures.

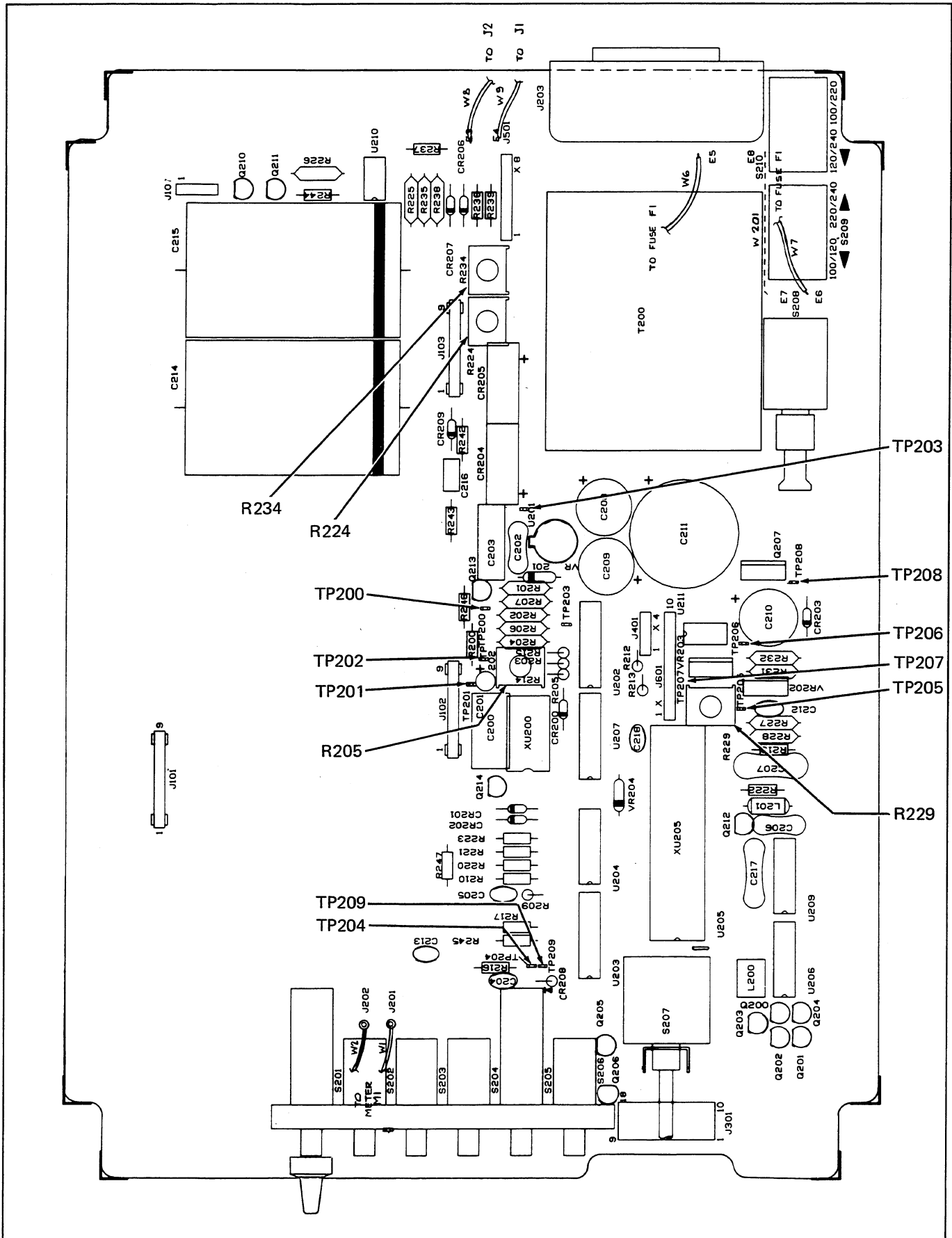


Figure 4-5. Calibration Adjustments and Test Point Locations



**4-32. Power Supply Calibration Adjustment**

**WARNING**

**IN ALL PROCEDURES WITH THE TOP COVER REMOVED THE OPERATOR SHOULD BE AWARE THAT THE FOLLOWING POINTS ARE AT LINE POTENTIAL:**

1. **POWER LINE CONNECTOR.**
2. **ALL LAND PATTERNS NEAR POWER TRANSFORMER.**
3. **POWER SWITCH.**
4. **FUSE HOLDER.**

4-33. Use the following procedure to calibrate the power supplies of the UUT.

1. Place all front panel switches to the out position.

**CAUTION**

**Certain overload protection depends on the supply voltages. To avoid possibility of damage, DO NOT adjust the ±15V supplies with the UUT in overrange.**

2. Monitor TP206 with a DVM using TP205 as a voltmeter common.
3. Adjust R229 for +15V ±0.1V on TP206.
4. Check TP208 for -15V ±0.2V.
5. If TP208 does not comply, recheck TP206 and adjust R229, if necessary.
6. Check TP207 for +5V ±0.25V.

**4-34. Low and Midband Accuracy Adjustment**

4-35. Use the following procedure to calibrate the low and midband accuracy of the UUT:

1. Place all the front panel switches in the out position.
2. Short TP204 to TP209 to light the 4th display digit.
3. Apply the input voltages and frequencies as listed in Table 4-7, and adjust to the limits given. If any limit cannot be reached, see Troubleshooting.

Table 4-7. Low and Midband Accuracy Adjustments

STEP	INPUT V	RANGE (AC)	FREQ Hz	ADJUST	READ DISPLAY	LIMIT ± of READING
1	1	2V (AC)	500	—	Note reading.	n/a
1a	Select RANGE HOLD.					
1b	0.1	2V	500	R101	1/10 of reading in step 3.	3 digits
1c	Return to step 1 if R101 was readjusted.					
1d	Select AUTORANGE.					
2	2.5V dc	20V (AC+DC)	n/a	R72	2.500	±10 digits
2a	0.25 Vdc	2V (AC+DC)	n/a	R26	.2500	±10 digits
3	Return to step 2 if R26 was readjusted.					
4	100 mV	200 mV	500	R205	100.00	5 digits
5	1.9 mV	2 mV	500	R44	1.9000	40 digits
5c	Return to step 4 if R44 was readjusted.					
6	100 mV	200 mV	50K	C9	100.00	5 digits



Table 4-7. Low and Midband Accuracy Adjustments (cont)

STEP	INPUT V	RANGE (AC)	FREQ Hz	ADJUST	READ	LIMIT ± of READING
7	1	2V	500	R3	1.0000	5 digits
8	1	2V	500	R224	Meter	Mid-scale
9	100	200V	500	R7	100.00	5 digits
10	1	2V	50K	C5	1.0000	5 digits
11	100	200V	50K	C8	100.00	10 digits
11c	Return to step 10 if C8 was readjusted.					
12	10 mV	20 mV	500	Chk	10.000	20 digits
13	10 mV	20 mV	10K	Chk	10.000	20 digits
14	10 mV	20 mV	50K	Chk	10.000	20 digits
15	10	20V	500	Chk	10.000	5 digits
16	10	20V	10K	Chk	10.000	20 digits
17	10	20V	50K	Chk	10.000	5 digits
18	Remove the short between TP204 and TP209.					
19	Autorange into the 20 mV range and push RANGE HOLD.					
20	Apply 22.0 mV at 500 Hz to the input of the UUT. Increase the input voltage in .1 mV steps until the UNCAL annunciator lights. Verify that this occurs with an input voltage between 22.5 and 23.5 mV. If the reading is outside these limits, refer to the "RMS Protection Circuit Calibration".					

#### 4-36. Linear Analog Output

4-37. Use the following procedure to calibrate the 8922A linear analog output.

1. Set up the calibration test equipment as shown in Figure 4-6.
2. Select AC and AUTORANGE.
3. Apply 1.000V, 500 Hz to the input and monitor the dc voltage at the rear panel linear analog output (LAO). Adjust R224 for the same reading as the display  $\pm 2$  mV.

4. Observe that the null/peak meter reads center of scale  $\pm \frac{1}{2}$  division.

5. Push RANGE HOLD and decrease the input to 0.1V, 500 Hz. The output voltage should read the same as the front panel display  $\pm 0.2$ mV. If it is not within this limit, adjust R234 and go back to step 3.

6. Increase the input to 0.5V. The voltage at the output should be the same as the front panel display  $\pm 0.001$ V.

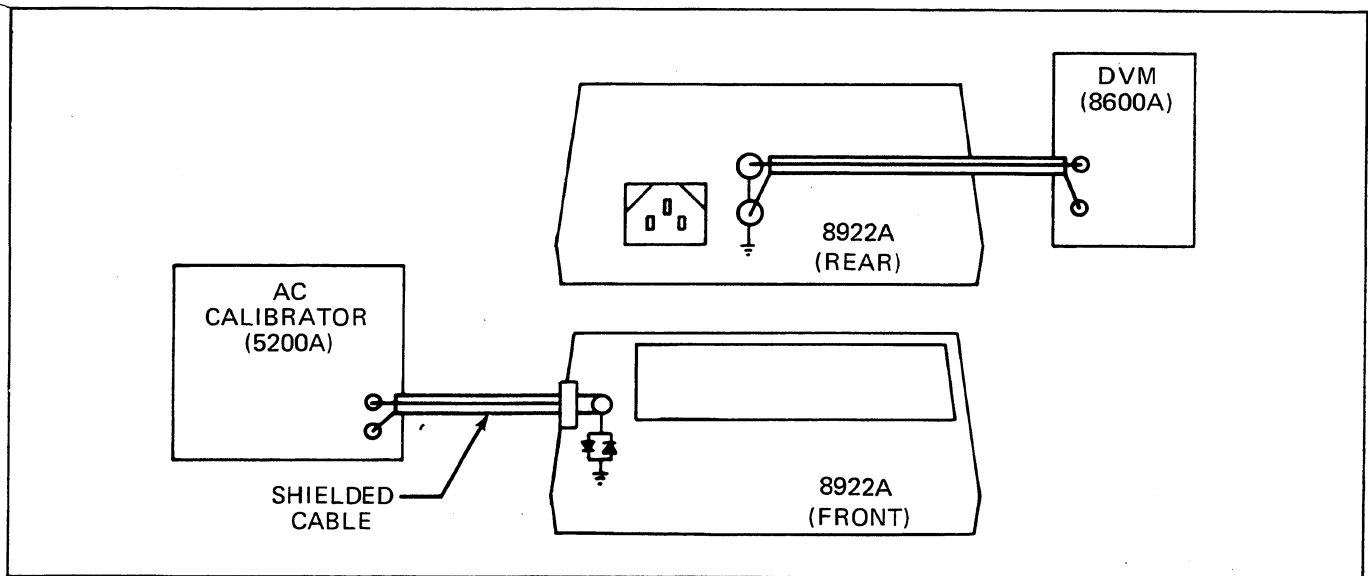


Figure 4-6. Linear Analog Output Check

#### 4-38. AC Low Level Calibration and Filter Check

4-39. Use the following procedure to calibrate the UUT's AC low level performance.

1. Measure the 503 Attenuator Errors (leveled generator).

- a. Place all front panel switches out.
- b. Set up the test equipment as shown in Figure 4-3.
- c. Set the leveled generator to 50 kHz, X1 and connect the 874-20 dB-GR attenuator input to the input of the UUT.
- d. Adjust the leveled generator amplitude until a steady reading of 1.000V is obtained on the display of the UUT.
- e. Switch the leveled generator to the X.1 setting, observe that the UUT autoranges down to the 100 mV range and note the reading error.
- f. Switch the leveled generator to the X.01 setting and note that the reading error is less than 10 digits on the 20 mV range.

2. Calibrate the 2 mV range:

- a. Connect the 50 ohm terminated attenuator output to the input of the UUT.
- b. Switch the leveled generator to the X1 and adjust the amplitude such that a steady reading of 10.00 mV is obtained on the UUT.
- c. Switch the leveled generator to the X.1 setting, allowing the UUT to range down to the 2 mV range.

d. Adjust R44 so that the display of the UUT reads the same error as noted in step 1-e.  $\pm 1$  digit.

e. Depress the RANGE HOLD switch, readjust the leveled generator for a reading of  $1.800 \pm 1$  digit and switch down to the X.01 setting. The UUT's display reading should be from 0.180 to 0.186 after settling.

3. Filter check:

- a. Set the generator to X1 and adjust output amplitude for a display of 18.00 mV.
- b. On the front panel of the UUT, set the FILTER switch to the in position.
- c. Verify that the UUT display is between 17.70 and 17.20 mV.
- d. On the front panel of the UUT, set the FILTER switch to the out position.
- e. Set the generator to X.1 and adjust the output amplitude for a display of 1.800 mV.
- f. On the front panel of the UUT, set the FILTER switch to the in position.
- g. Verify that the UUT display is between 1.770 and 1.720 mV.
- h. Adjust the generator output amplitude for a UUT display of 1.800 mV.
- i. Set the generator to X.01.
- j. Verify that the UUT display is now between .180 and .182 mV.

#### 4-40. High Frequency Calibration

4-41. Use the following procedure to calibrate the UUT's high frequency response:

1. For the ranges shown in Table 4-8, adjust the amplitude of the leveled generator at 50 kHz to establish a reference (refer to Figure 4-7, for the test

setup). Use one 20 dB attenuator for 0.1V, two attenuators for 0.01V, and three attenuators for .001V terminated with 50 ohms. Take care not to overdrive the transfer standard.

2. Note the reading at the output of the A55 transfer standard and maintain this by readjusting the generator's level for other frequencies.

Table 4-8. High Frequency Calibration

STEP	SOURCE LEVEL	UUT RANGE	SOURCE FREQ.	ADJUST	UUT DISPLAY	LIMIT ± COUNTS
1	.001	2 mV	50K	source	1.000	±1
2	.001	2 mV	10M	C13	1.000	±3
3	.001	2 mV	*	Chk	1.000	0 to +20
4	0.01	20 mV	50K	source	10.00	±1
5	0.01	20 mV	10M	C33	10.00	±3
6	If C33 was adjusted, go to step 1					
7	0.01	20 mV	*	Chk	10.00	0 to +20
8	0.01	20 mV	1M	Chk	10.00	±3
9	0.1	200 mV	50K	source	100.0	±1
10	0.1	200 mV	10M	Chk	100.0	±5
11	1.	2	50K	source	1.000	±1
12	1.	2	10M	R5	1.000	±5
13	1.	2	*	Chk	1.000	0 to +20
14	1.	2	1M	Chk	1.000	±3
* Reduce the frequency to the point between 5 and 11 MHz where the maximum reading on the display occurs.						

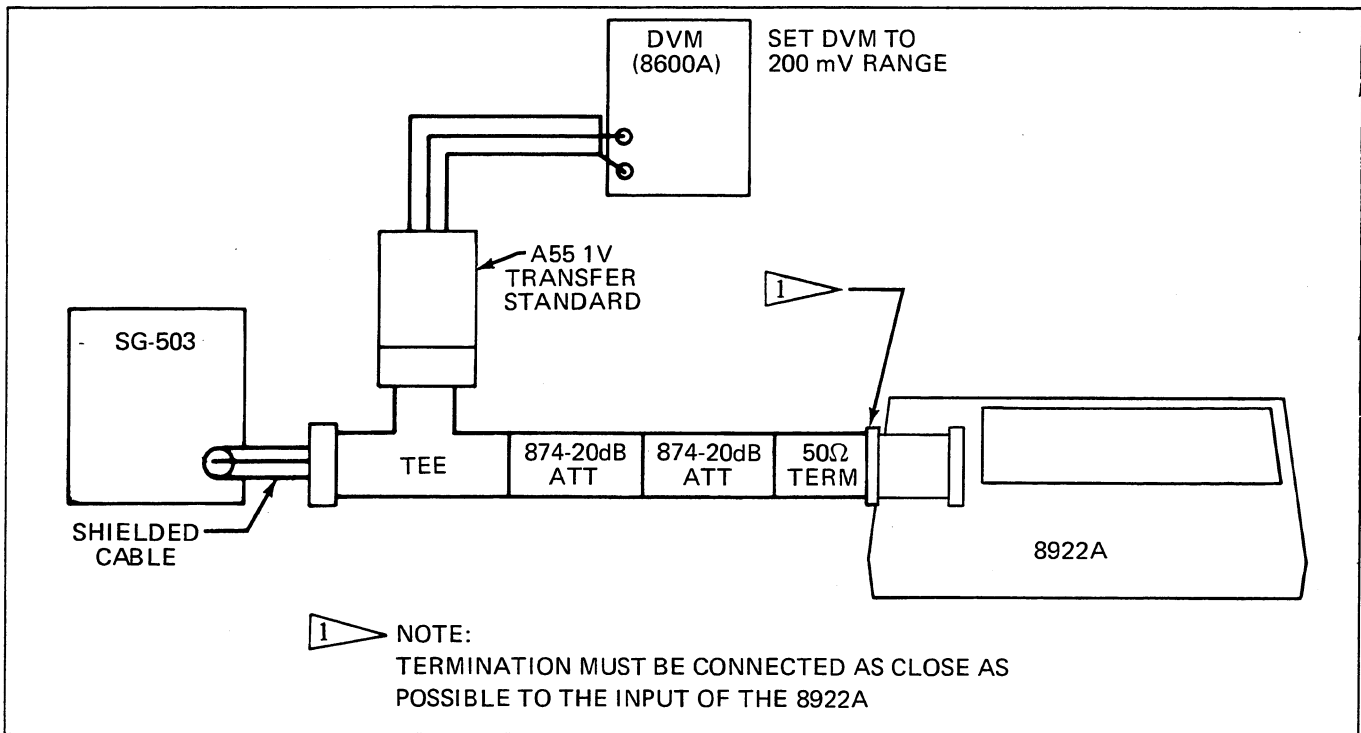


Figure 4-7. High Frequency Calibration

#### 4-42. RMS Protection Circuit Calibration

##### CAUTION

Resistor, R111, controls the protection circuit for the rms sensor. **DO NOT** make any adjustments to R111 other than those listed below. Indiscriminate adjustments may cause component damage.

4-43. Use the following procedure to calibrate the protection circuit of the rms sensor. This procedure should be completed only if the rms sensor has been replaced or if the limit in step 20 of Table 4-9, cannot be met.

##### NOTE

*The ambient temperature must be 23° C ±5° C and the ±15V supplies must be calibrated.*

1. Remove the tape dot on R111 and turn R111 to its maximum CCW position.
2. Select AC, AUTORANGE then HOLD and STEP UP (as necessary) to lock the UUT in the 20 mV range. Refer to Figure 4-5 for the calibration and test point locations. Monitor the voltage at TP4

with a DVM and apply 24.0 mV, 200 Hz to the input. Observe that the UNCAL annunciator lights up.

3. Turn R111 slowly clockwise until the DVM reading stops decreasing. The UNCAL annunciator should go out. Turn R111 slightly clockwise so that the UNCAL annunciator remains unlit but lights when the input voltage is increased to 24.1 mV. Increase the input voltage to 25.0 mV and note the voltage on TP4. Apply an input signal of 250 mV at 2 kHz. The voltage at TP4 should not change by more than 20 mV.

4. Replace the tape dot on R111 or use Glyptol.

#### 4-44. TROUBLESHOOTING

4-45. This section contains information selected to assist in troubleshooting the Model 8922A. Before attempting to troubleshoot the instrument, verify that the trouble is actually in the instrument and is not caused by faulty external equipment or improper control settings. For this reason, the Performance Check is suggested as a first step in troubleshooting. The Performance Check may also help to localize the trouble to a particular section of the instrument. If the Performance Check fails to localize the trouble, the following information may be helpful. Location of principal circuitry areas, test points, and adjustment locations of the Model 8922A are shown in Figure 4-5.

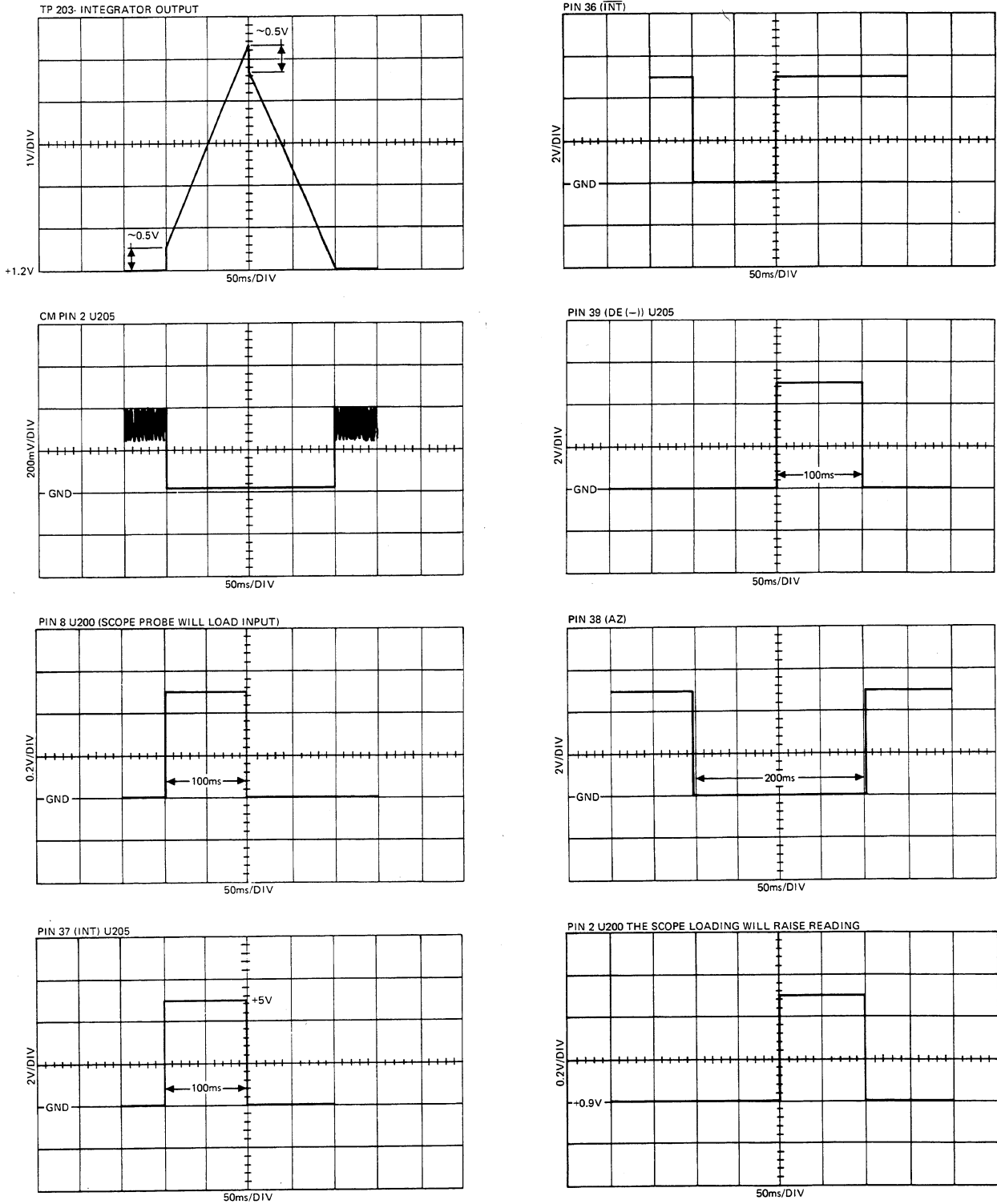
Table 4-9. 8922A Troubleshooting Procedure

STEP NO.	INSTRUCTION	YES	NO	GOTO
1	All front panel switches should be in the out position.			2
2	Connect the UUT (8922A) to appropriate line power and observe the display.		3	
3	Does display light correctly?	4	11	
4	Apply 1V ac input to UUT, select AC function, VOLTS display mode and AUTORANGE.			5
5	Does UUT respond to input?	6	17	
6	Does UUT pass the Low-Midband Check?	7	25	
7	Does UUT pass the Low Level DC Check?	8	26	
8	Does UUT pass the High Frequency Response Check?	9	28	
9	UUT operating properly.			10
10	Apply 1V ac to UUT in the 2V ac range.			17
11	Check appropriate display drivers, Q200-Q204.	12	23	
12	Correct power supply test point voltages are as follows: TP206 = +15V; TP207 = -5V; TP205 = power supply ground.			13
13	Is TP206 at +15V?	14	29	
14	Is TP208 at -15V?	15	31	
15	Is TP207 at +5V?	16	32	
16	Power supply is operating properly.			10
17	Check voltage between TP201 and TP202.			18
18	Is the voltage 0.5V, $\pm 10\%$ ?	19	33	
19	Does null/peak meter read approximately $\frac{1}{2}$ scale?	20	40	
20	Check A/D Converter, is it operating correctly?	24	21	
21	Check TP200, is it at +6.4V?	22	42	
22	Check the following for appropriate A/D Converter waveforms: U200-U202, U205 and TP203. Refer to Figure 4-8.			23
23	Replace defective component.			24
24	Repeat Performance Tests and Calibration.			1
25	Check attenuator logic levels using Table 4-10.	10	23	
26	Are S1 and Q33 switching properly?	27	23	
27	Check Amp A & B.			10
28	Check Amp A & B and attenuator network.			10
29	Remove AC PCB, is TP206 at +15V now?	30	43	

Table 4-9. 8922A Troubleshooting Procedure (cont)

STEP NO.	INSTRUCTION	YES	NO	GO TO
30	Troubleshoot AC pcb assembly.			23
31	Remove AC pcb, is TP208 at -15V?	30	44	
32	Check: VR203, U200-U202, U205, U206, U209, U210, U211, U4 and U302.			23
33	Check TP3.			34
34	Is voltage on TP3 at 0.5V $\pm 10\%$ ?	35	45	
35	Turn UUT off, disconnect UUT from line power.			36
	<b>CAUTION</b>			
	<b>To avoid damage to the RMS sensor, steps 37 and 38 must be performed with a multimeter whose output on the ohms function is no greater than 10 mA.</b>			
37	Is the resistance of U1-6 to U1-7 (or J106-2 to J106-3) 90 ohms $\pm 8\%$ . (Out of circuit resistance = 100 ohms $\pm 8\%$ .)	38	50	1
38	Is the resistance of U1-8 to U1-9 (J106-4 to J106-3) = 100 ohms $\pm 8\%$ .	39	50	
39	Check U2, U4 and U5.			23
40	Check test point E3, is it at +1V $\pm 5\%$ ?	41	51	
41	Check meter and U210B.			23
42	Check VR201.			23
43	Check VR202.			23
44	Check U203 through U207.			23
45	Check TP1.			46
46	Is TP1 at 0.045V $\pm 10\%$ ?	47	52	
47	Check TP2.			48
48	Is voltage on TP2 at 0.045V $\pm 10\%$ ?	49	54	
49	Check Amp B. Refer to the AC Amplifier schematic for voltage check points.			23
50	Replace rms sensor, refer to RMS Sensor Replacement Procedure.			1
51	Check U201A.			23
52	Check Q3, Q4, Q5 and Q6 (refer to Table 4-10) are they switching properly?	53	23	
53	Check Amp A. Refer to the AC Amplifier schematic for voltage check points.			23
54	Check Q31, Q32 and Q33.			23

A/D WAVEFORMS (GENERAL CONDITIONS) 8922A READING 1000 COUNTS  
 SCOPE TRIGGERED ON - SLOPE OF A2 (PIN 38) X10 SCOPE PROBE (10 MΩ)



NOTE: All timing is 2.5 times slower when AC + DC (damping) Function is selected.

Figure 4-8. A/D Waveforms (General Condition)





10. Short the input, select AC, RANGE HOLD, and step up range to the 2V range. Monitor TP3 and adjust R72 for 0 ±1 mV dc.
11. Select AC + DC and adjust R26 for 0 ±1 mV dc on TP3.
12. Go to the rms protection circuit calibration procedure, "RMS Protection Circuit", and complete the steps as listed. Return to step 13 below.
13. Perform calibration steps 1 through 1c, as listed in Table 4-6, Low and Midband Adjustments. Should R101 not have enough adjustment range, substitute one of the kit resistors (15 kΩ, 30.1 kΩ, or 45.3 kΩ) for R105 if reading is too high, R97 if reading is too low or zero.
14. Monitor the ac voltage at TP5\* with a DVM and apply 100 mV, 10 Hz to the input with the instrument in the 200 mV range.
15. If the monitored ac voltage is 70.0 mV or greater, install the 402 kΩ resistors for R96 and R110.\*\*
16. If the monitored ac voltage is still 70.0 mV or greater, install the 158 kΩ resistors for R96 and R110.\*\*
17. Push the AC + DC/AC switch to the in position and apply 100 mV at 2 Hz to the input.
18. If the monitored voltage is 70 mV (100 mV peak) or greater, replace R123 and R124 with 17.1 kΩ metal film resistors.
19. If the monitored voltage is until greater than 70 mV (100 mV peak), then replace R123 and R124 with 13.7 kΩ resistors.
20. If the UUT is operating correctly, repeat the entire CALIBRATION procedure, otherwise return to beginning of Table 4-9.

**4-50. A/D Calibration Resistor Selection**

4-51. This procedure is used to determine the correct A/D selected resistor, R204, and should be completed whenever VR201 is replaced or when R205 does not have enough range to calibrate the A/D. All possible values for R204, listed in Table 4-11, may be obtained in a set by ordering Part #490722.

**NOTE**

*The UUT may go into overrange with R204 removed.*

1. Place all front panel switches in the out position and set R205 to the center of its adjustment range.
2. Apply 100.0 mV, 200 Hz to the input and select resistors R204 from Table 4-11, until the display reads closest to 100.0 mV.
3. Verify that R205 has adjustment range on both sides of the displayed 100.0 mV reading.
4. Perform the instrument calibration.

**Table 4-11. R204 Resistive Values (mf ±1%, 1/8W)**

VALUE	VALUE
71.5K	39.2K
66.5K	33.2K
61.9K	26.7K
56.2K	20.5K
51.1K	14.0K
43.3K	7.15K

**4-52. DC Offset Resistor Selection**

4-53. Use this procedure to determine the correct DC offset selected resistors, R19 or R34 for amplifier A, and/or R66 or R76 for amplifier B. Use the procedure when the amplifier offset cannot be adjusted to 0V with R26 and/or R72; usually because one or more of the following have been replaced:

- Amplifier A      Q9, Q8, Q10, and Q12.
- Amplifier B      Q36, Q37, Q38, and Q40.

All possible values for R19 or R34 (amplifier A) or R66 or R76 (amplifier B), listed in Table 4-12, may be obtained in a set by ordering Part #490730. Two sets will be necessary if both amplifiers require the same selected resistor value.

**Table 4-12. R19/R34, R66/R76 Resistive Values (mf, ±1%, 1/8W)**

VALUE	VALUE
449K	32.4K
332K	31.6K
169K	30.1K
115K	28.0K
86.6K	26.1K
68.1K	24.3K
57.6K	22.6K
48.7K	21.5K
43.2K	20.5K
38.3K	19.1K
34.8K	

4-54. SET UP

1. Remove the cover shield of the AC Converter PCB.
2. Connect a short jumper between input low and the metal fence on the AC Converter PCB.

4-55. AMPLIFIER B

(must be done before amplifier A)

1. Apply power, short the input, select AC, RANGE HOLD, and step up to the 2V range.
2. Set R72 to the center of its adjustment range and monitor TP3 with a DVM.
3. Select resistors from Table 4-12, starting with the highest value until the DVM reads closest to 0

volts dc. Place the resistor in the socket for R66 if the DVM reads positive, R76 if the reading is negative. Adjust R72 for a DVM reading of less than 1 mV dc at TP3.

4-56. AMPLIFIER A

1. Select AC + DC, set R26 to the center of its adjustment range and monitor TP3 with a DVM.
2. Select resistors from Table 4-12, starting with the highest value until the DVM reads closest to 0 volts dc. Place the resistor in the socket for R19 if the DVM reads positive, R34 if the reading is negative.
3. Adjust R26 for a DVM reading of less the 1 mV dc at TP3.
4. Perform the complete instrument calibration.

## Section 5

# List of Replaceable Parts

### TABLE OF CONTENTS

ASSEMBLY NAME	DRAWING NO.	TABLE	PAGE	FIGURE	PAGE
8922A Final Assembly	8922A-T&B	5-1	5-3	5-1	5-4
A1 Main PCB Assembly	8922A-1601	5-2	5-6	5-2	5-10
A1A1 Display PCB Assembly	8920A-1602	5-3	5-11	5-3	5-11
A2 AC PCB Assembly	8922A-1603	5-4	5-12	5-4	5-18

## 5-1 INTRODUCTION

5-2. This section contains an illustrated parts breakdown of the instrument. A similar parts listing for each of the Options will be found in Section 6. Components are listed alphanumerically by assembly. Both electrical and mechanical components are listed by reference designation. Each listed part is shown in an accompanying illustration.

5-3. Parts lists include the following information:

1. Reference Designation.
2. Description of each part.
3. FLUKE Stock Number.
4. Federal Supply Code for Manufacturers. (See Section 7 for Code-to-Name list.)
5. Manufacturer's Part Number.
6. Total Quantity per assembly or component.
7. Recommended Quantity: This entry indicates the recommended number of spare parts necessary to support one to five instruments for a period of two years. This list presumes an availability of common electronic parts at the maintenance site. For maintenance for one year or more at an isolated site, it is recommended that at least one of each assembly in the instrument be stocked. In the case of optional subassemblies, plug-ins, etc., that are not always part of the instrument, or are deviations

from the basic instrument model, the REC QTY column lists the recommended quantity of the item in that particular assembly.

## 5-4. HOW TO OBTAIN PARTS

5-5. Components may be ordered directly from the manufacturer by using the manufacturer's part number, or from the John Fluke Mfg. Co., Inc. factory or authorized representative by using the FLUKE STOCK NUMBER. In the event the part you order has been replaced by a new or improved part, the replacement will be accompanied by an explanatory note and installation instructions if necessary.

5-6. To ensure prompt and efficient handling of your order, include the following information.

1. Quantity.
2. FLUKE Stock Number.
3. Description.
4. Reference Designation.
5. Printed Circuit Board Part Number.
6. Instrument Model and Serial Number.

### CAUTION



**Indicated devices are subject to damage by static discharge.**

Table 5-1. 8922A Final Assembly

REF DES	DESCRIPTION	FLUKE STOCK NO.	MFG SPLY CODE	MFG PART NO. OR TYPE	TOT QTY	REC QTY	NOTE
A	8922A FINAL ASSEMBLY FIGURE 5-1						
A1	⊗ MAIN PCB ASSEMBLY	ORDER	ONLY	REPLACEABLE PARTS	1		
A2	AC PCB ASSEMBLY	510602	89526	510602	1		
H1	SCREW, FHP, 6-32 X 3/4	114504	89536	114504	4		
H2	SCREW, PHP, 2-56 X 1/4	149534	73734	19002	2		
H3	SCREW, PHP, 4-40 X 1/4	256156	73734	23022	13		
H4	SCREW, FHP, 6-32 X 5/8	335158	89536	335158	2		
MP1	GUARD COVER, C SIZE	464115	89536	464115	1		
MP2	COVER, PLATE DOU	456764	89536	456764	1		
MP3	BAIL	467555	89536	467555	1		
MP4	RETAINER, HANDLE	467563	89536	467563	2		
MP5	DECAL, RETAINER	473645	89536	473645	2		
MP6	COVER, C SIZE	454736	89536	454736	2		
MP7	HANDLE	454751	89536	454751	1		
MP8	COVER, AC SHIELD	456848	89536	456848	1		
MP9	LINE CORD (NOT SHOWN)	343723	89536	343723	1		
MP10	BASE, STANDARD	454702	89536	454702	1		
MP12	DECAL, BASE SIDES	473652	89536	473652	2		
MP13	LATCH	467548	89536	467548	2		
MP14	FOOT	467571	89536	467571	4		
MP15	INSULATOR, GUARD, COVER	492298	89536	492298	1		
MP16	LUG, SOLDER, #141	104091	89536	104091	1		
R19/R34	RES, MTL. FILM, 332K +/-1%, 1/8W	289504	89536	289504	2		1
R66/R76	RES, MTL. FILM, 332K +/-1%, 1/8W	289504	89536	289504	REF		
R96/R110	RES, MTL. FILM, 158K +/-1%, 1/8W	237214	89536	237214	2		1
R97/R105	RES, MTL. FILM, 15K +/-1%, 1/8W	285296	89536	285296	1		1
R123	RES, MTL. FILM, 21.5K +/-1%, 1/8W	168278	89536	168278	2		1
R124	RES, MTL. FILM, 21.5K +/-1%, 1/8W	168278	89536	168278	REF		1
R204	RES, MTL. FILM, 16.5K +/-1%, 1/8W	293696	89536	293696	1		2
U205	IC, LARGE SCALE DIGITAL CHIP	458463	89536	458463	1		3
	INSTRUCTION MANUAL	522052	89536	522052	1		
1	INSTALLED OR JUMPERED AS NECESSARY. SEE AC PCB ASSY. A2 TABLE 5-4.						
2	INSTALLED AS NECESSARY. SEE MAIN PCB ASSY. A1 TABLE 5-2.						
3	PART OF MAIN PCB ASSY. A1 TABLE 5-2.						

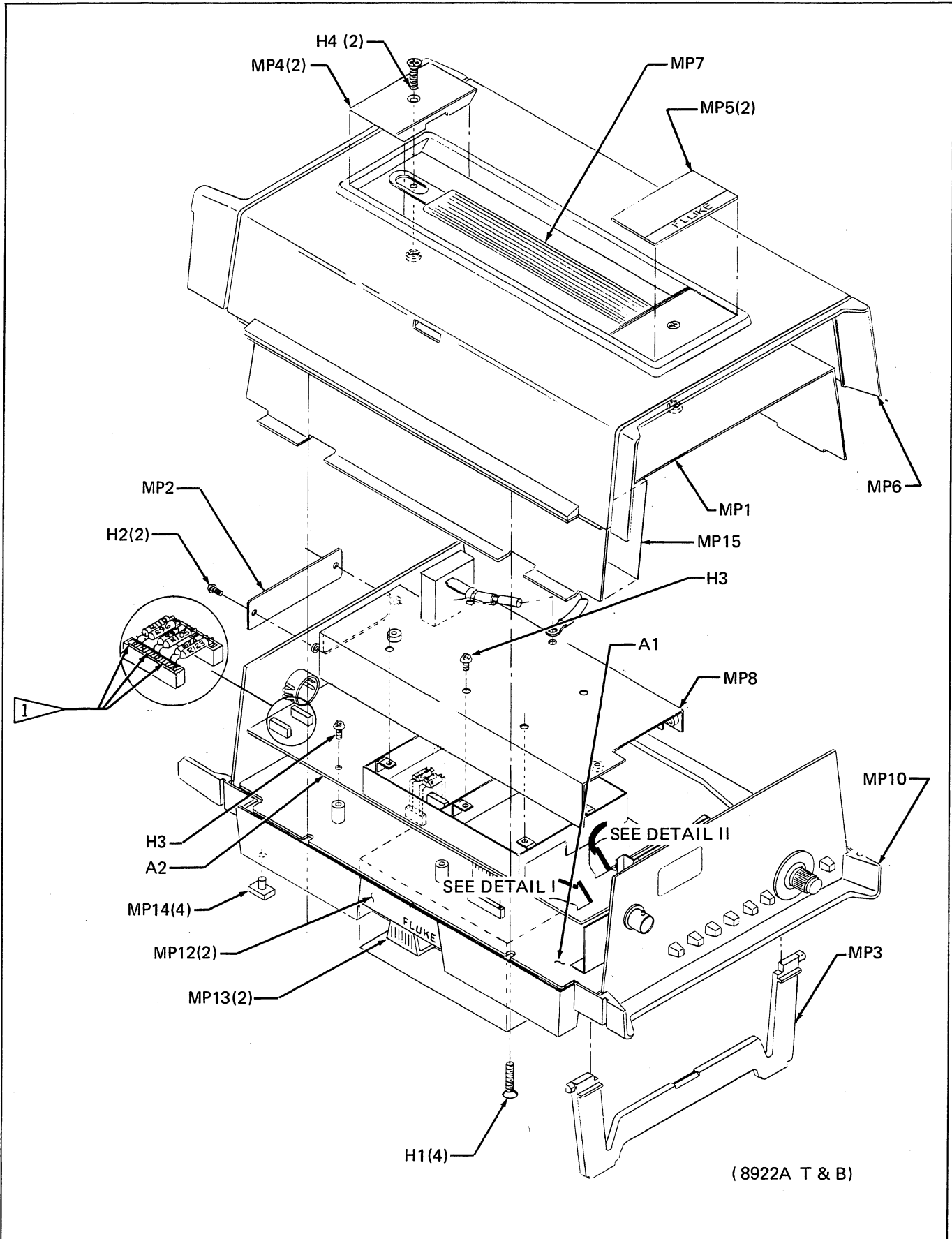
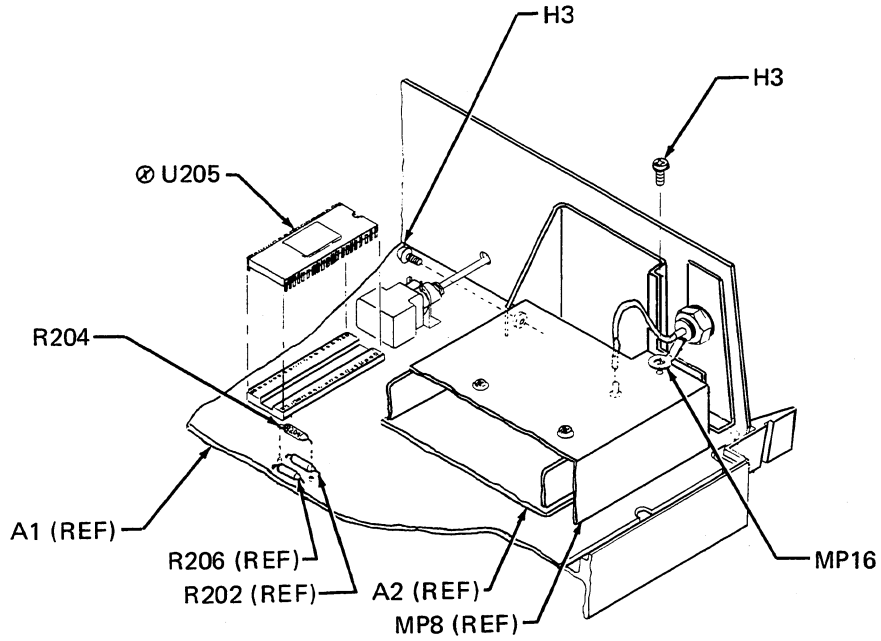
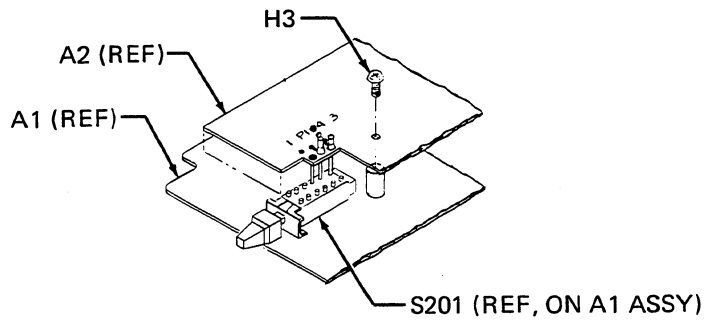


Figure 5-1. 8922A Final Assembly



DETAIL I



DETAIL II

NOTES:

1 #3, #6, and #9 POCKETS OF 9 PIN CONNECTORS NOT USED.

2 **WARNING:** Ⓢ INDICATES USAGE OF MOS DEVICE(S) WHICH MAY BE DAMAGED BY STATIC DISCHARGE.



Figure 5-1. 8922A Final Assembly (cont)

Table 5-2. A1 Main PCB Assembly

REF DES	DESCRIPTION	FLUKE STOCK NO.	MFG SPLY CODE	MFG PART NO. OR TYPE	TOT QTY	REC QTY	NOTE
A1	⊗ MAIN PCB ASSEMBLY FIGURE 5-2 (8922A-4001/4001S)	ORDER	ONLY	REPLACEABLE PARTS	REF		
A1A1	DISPLAY PCB ASSEMBLY	ORDER	ONLY	REPLACEABLE PARTS	1		
C200	CAP, PLYPRP, 0.47 UF +/-10%, 100V	446807	89536	446807	1		
C201	CAP, TA, 0.47 UF +/-20%, 35V	161349	56289	196D474X0035HA1	1		
C202	CAP, MICA, 150 PF +/-5%, 500V	148478	72136	DMF15151J	1		
C203	CAP, MYLAR, 0.47 UF +/-10%, 100V	369124	73445	C280MAH/470K	1		
C204	CAP, CER, 10,000 PF +/-20%, 100V	149153	56289	C023B10F103M	4		
C205	CAP, CER, 10,000 PF +/-20%, 100V	149153	56289	C023B10F103M	REF		
C206	CAP, MICA, 180 PF +/-5%, 500V	148460	72136	DM15F181J	1		
C207	CAP, MICA, 3000 PF +/-5%, 500V	161786	72136	DMF19302J	1		
C208	CAP, ELECT, 220 UF -10/+75%, 35V	460279	89536	460279	3		
C209	CAP, ELECT, 220 UF -10/+75%, 35V	460279	89536	460279	REF		
C210	CAP, ELECT, 220 UF -10/+75%, 35V	460279	89536	460279	REF		
C211	CAP, ELECT, 4700 UF -10/+100%, 15V	460261	80031	3143TS502V015	1		
C212	CAP, CER, 10,000 PF +/-20%, 100V	149153	56289	C023B10F103M	REF		
C213	CAP, CER, 10,000 PF +/-20%, 100V	149153	56289	C023B10F103M	REF		
C214	CAP, MATCHED PAIR (W/C215)	512210	89536	512210	1		
C215	CAP, PART OF MATCHED PAIR (TO C214)				REF		
C216	CAP, MYLAR, 0.22UF +/-20%, 50V	190314	71590	CW30C224K	1		
C217	CAP, MICA, 1000 PF +/-5%, 500V	148387	72136	DM19F102J	1		
C218	CAP, CER, 100 PF +/-10%, 1K	105593	71590	DD101	1		
CR1	RECTIFIER BRIDGE, 50V, 25A	473520	21845	J775-OLP	1		
CR200	DIODE, MULTI-PELLET	375477	09214	MPD200	1	1	
CR201	DIODE, HI-SPEED SWITCH	203323	07910	IN4448	6	2	
CR202	DIODE, HI-SPEED SWITCH	203323	07910	IN4448	REF		
CR203	DIODE, HI-SPEED SWITCH	203323	07910	IN4448	REF		
CR204	RECTIFIER BRIDGE	296509	21845	F903C-22	2	1	
CR205	RECTIFIER BRIDGE	296509	21845	F903C-22	REF		
CR206	DIODE, HI-SPEED SWITCH	203323	07910	IN4448	REF		
CR207	DIODE, HI-SPEED SWITCH	203323	07910	IN4448	REF		
CR208	DIODE, SI, MULTI-PELLET	375485	09214	MPD300	1	1	
CR209	DIODE, HI-SPEED SWITCH	203323	07910	IN4448	REF		
F1	FUSE SLO-BLO, 1/8 AMP METRIC, SLO-ACT, 5 X 20 MM, GLASS TUBE	166488 467233	71400 89536	MDL1-8 467233	1	5	
H200	SCREW, RHP, 4-40 X 1/4	256156	73734	22022	10		
H201	LOCKWASHER, FLAT, #4	110395	73734	1355	2		
H202	NUT, HEX, 4-40	184044	73734	8002A-NP	2		
H203	SCREW, PHP, 6-32 X 5/8	152181	73734	19047	1		
H204	NUT, LOCKING, HEX, 6-32	152819	78199	511-061800-00	1		
H205	LOCKWASHER, SPLIT, #5	111328	89536	111328	2		
H206	NUT, HEX	110635	89536	110635	2		
J1	CONNECTOR, BANANA JACK, BLACK	162073	74970	108-0903-001	1		
J2	CONNECTOR, BANANA JACK, RED	162065	74970	108-0902-001	1		
J6	CONNECTOR FEMALE BNC (8920A ONLY)	414201	02660	31-010	1		
J101	SOCKET, IN-LINE	436774	60065	SS-109-1-04	3		
J102	SOCKET, IN-LINE	436774	60065	SS-109-1-04	REF		
J103	SOCKET, IN-LINE	436774	60065	SS-109-1-04	REF		



Table 5-2. A1 Main PCB Assembly (cont)

REF DES	DESCRIPTION	FLUKE STOCK NO.	MFG SPLY CODE	MFG PART NO. OR TYPE	TOT QTY	REC QTY	NOTE
J107	SOCKET, 4-PIN, SNGL-IN-LINE	417311	30035	SS-109-1-04	1		
J301	CONNECTOR, MATING	461095	00779	87406-1	1		
J401	POST, CONTACT	417329	22526	65500-104	1		
J501	POST, CONTACT	474213	22526	65500-1081	1		
J601	POST, CONTACT	478693	22526	65500-110	1		
L200	CHOKE, 6-TURN	320911	89536	320911	1		
L201	CHOKE, RF	147819	72259	WEE1000	1		
M1	METER, ANALOG PANEL	478685	32171	OMC-DMA-001-CP2	1		
MP1	BRACKET, SWITCH MOUNTING	475392	89536	475392	1		
MP203	BRACKET, METER MOUNTING	468868	89536	468868	1		
MP204	BRACKET, PUSH ROD	456749	89536	456749	1		
MP205	KNOB, SKIRTED	463224	89536	463224	1		
MP206	SHIELD, TRANSFORMER	467696	89536	467696	1		
MP207	BRACKET, FRONT PANEL	467704	89536	467704	1		
MP208	PANEL, REAR	456780	89536	456780	1		
MP209	PUSH ROD, POWER SWITCH	456731	89536	456731	1		
MP210	COVER, AC SWITCH	475681	89536	475681	1		
MP228	GUARD, BASE	464404	89536	464404	1		
MP231	DECAL, KNOB	473546	89536	473546	1		
MP232	PANEL, FRONT	478156	89536	478156	1		
MP236	HOLE, PLUG	407502	89536	407502	1		
MP237	BUTTON, RANGE	426759	89536	426759	2		
MP238	BUTTON, RANGE	426759	89536	426759	REF		
MP239	BUTTON, FUNCTION	425900	89536	425900	4		
MP240	BUTTON, FUNCTION	425900	89536	425900	REF		
MP241	BUTTON, FUNCTION	425900	89536	425900	REF		
MP242	BUTTON, FUNCTION	425900	89536	425900	REF		
MP243	SPACER, XSTR	175125	07047	10172DAP	1		
Q200	XSTR, SI, PNP	340026	89536	340026	5		1
Q201	XSTR, SI, PNP	340026	89536	340026	REF		
Q202	XSTR, SI, PNP	340026	89536	340026	REF		
Q203	XSTR, SI, PNP	340026	89536	340026	REF		
Q204	XSTR, SI, PNP	340026	89536	340026	REF		
Q205	XSTR, SI, NPN	218396	04713	2N3904	2		1
Q206	XSTR, SI, NPN	218396	04713	2N3904	REF		
Q207	XSTR, SI, PNP, PWR	325753	03508	D45C5	1		1
Q210	XSTR, FET, N-CHANNEL	261578	89536	261578	4		1
Q211	XSTR, FET, N-CHANNEL	261578	89536	261578	REF		
Q212	XSTR, FET, N-CHANNEL	261578	89536	261578	REF		
Q213	XSTR, FET, N-CHANNEL	261578	89536	261578	REF		
Q214	XSTR, FET, GRP, N-CHANNEL	261388	89536	261388	1		1
R200	RES, COMP, 100K +/-5%, 1/4W	148189	01121	CB1045	3		
R201	RES, MTL. FILM, 2.15K +/-1%, 1/8W	293712	91637	CMF552151F	1		
R202	RES, MTL. FILM, 301K +/-1%, 1/8W	379156	91637	CMF553013F	1		
R203	RES, COMP, 1M +/-5%, 1/4W	182204	01121	CB1055	3		
R204	SEE FINAL ASSEMBLY TABLE 5-1.						
R205	RES, VAR, CER, 10K +/-10%, 1/2W	309674	89536	309674	2		
R206	RES, MTL. FILM, 499K +/-1%, 1/8W	349191	91637	CMF554993F	1		
R207	RES, MTL. FILM, 47.5K +/-1%, 1/8W	474585	91637	CMF554752F	1		
R209	RES, COMP, 68K +/-5%, 1/4W	148171	01121	CB6835	1		

Table 5-2. A1 Main PCB Assembly (cont)

REF DES	DESCRIPTION	FLUKE STOCK NO.	MFG SPLY CODE	MFG PART NO. OR TYPE	TOT QTY	REC QTY	NOTE
R210	RES, COMP, 150 +/-5%, 1/4W	147934	01121	CB1515	2		
R212	RES, COMP, 22K +/-5%, 1/4W	148130	01121	CB2235	2		
R213	RES, COMP, 10K +/-5%, 1/4W	148106	01121	CB1035	5		
R214	RES, COMP, 330K +/-5%, 1/4W	192948	01121	CB3345	1		
R215	RES, COMP, 10K +/-5%, 1/4W	148106	01121	CB1035	REF		
R216	RES, COMP, 6.8K +/-5%, 1/4W	148098	01121	CB62825	1		
R217	RES, COMP, 22K +/-5%, 1/4W	148130	01121	CB2235	REF		
R219	RES, COMP, 1K +/-5%, 1/4W	148023	01121	CB1025	2		
R220	RES, COMP, 10K +/-5%, 1/4W	148106	01121	CB1035	REF		
R221	RES, COMP, 10K +/-5%, 1/4W	148106	01121	CB1035	REF		
R222	RES, COMP, 1K +/-5%, 1/4W	148023	01121	CB1025	REF		
R223	RES, COMP, 10K +/-5%, 1/4W	148106	01121	CB1035	REF		
R224	RES, VAR, CER, 10K +/-10%, 1/2W	309674	89536	309674	REF		
R225	RES, MTL. FILM, 90.9K +/-1%, 1/8W	223537	91637	CMF559092F	1		
R226	RES, MTL. FILM, 953 +/-1%, 1/8W	288555	91637	CMF559530F	1		
R227	RES, MTL. FILM, 909 +/-1%, 1/8W	312629	91637	CMF559090F	1		
R228	RES, MTL. FILM, 8.66K +/-1%, 1/8W	260364	91637	CMF558661F	1		
R229	RES, VAR, CER, 2K +/-10%, 1/2W	309666	89536	309666	1		
R231	RES, MTL. FILM, 11.8K +/-0.25%, 1/8W	325688	91637	CMF551182F	2		
R232	RES, MTL. FILM, 11.8K +/-0.25%, 1/8W	325688	91637	CMF551182F	REF		
R234	RES, VAR, CER, 100K +/-10%, 1/2W	369520	89536	369520	1		
R235	RES, MTL. FILM, 110K +/-1%, 1/8W	234708	91637	CMF551103F	1		
R236	RES, COMP, 82K +/-5%, 1/4W	188458	01121	CB8235	1		
R237	RES, COMP, 100K +/-5%, 1/4W	193342	01121	CB5125	1		
R238	RES, MTL. FILM, 100K +/-1%, 1/8W	248807	91637	CMF551003F	1		
R239	RES, COMP, 150 +/-5%, 1/4W	147934	01121	CB1515	REF		
R242	RES, COMP, 100K +/-5%, 1/4W	148189	01121	CB1045	REF		
R243	RES, COMP, 4 7M +/-5%, 1/4W	220046	01121	CB4755	1		
R244	RES, COMP, 1M +/-5%, 1/4W	182204	01121	CB1055	REF		
R245	RES, COMP, 1M +/-5%, 1/4W	182204	01121	CB1055	REF		
R246	RES, COMP, 470K +/-5%, 1/4W	188441	01121	CB4745	1		
R247	RES, COMP, 100K +/-5%, 1/4W	148189	01121	CB1045	REF		
S201-206	SWITCH, SET	453662	89536	453662	1		
S207	SWITCH, ROTARY	453670	89536	453670	1		
S208	SWITCH, OFF/ON	453605	89536	453605	1		
S208-1	BUTTON SWITCH, GREEN	445197	89536	445197	1		
S209	SWITCH SLIDE	234278	82389	XW1659	2		
S210	SWITCH SLIDE	234278	82389	XW1659	REF		
T200	POWER TRANSFORMER	458349	89536	458349	1		
TP200	CONNECTOR, POST	379438	00779	1-87022-0	11		
TP201	CONNECTOR, POST	379438	00779	1-87022-0	REF		
TP202	CONNECTOR, POST	379438	00779	1-87022-0	REF		
TP203	CONNECTOR, POST	379438	00779	1-87022-0	REF		
TP204	CONNECTOR, POST	379438	00779	1-87022-0	REF		
TP205	CONNECTOR, POST	379438	00779	1-87022-0	REF		
TP206	CONNECTOR, POST	379438	00779	1-87022-0	REF		
TP207	CONNECTOR, POST	379438	00779	1-87022-0	REF		
TP208	CONNECTOR, POST	379438	00779	1-87022-0	REF		
TP209	CONNECTOR, POST	379438	00779	1-87022-0	REF		
TP210	CONNECTOR, POST	379438	00779	1-87022-0	REF		

Table 5-2. A1 Main PCB Assembly (cont)

REF DES	DESCRIPTION	FLUKE STOCK NO.	MFG SPLY CODE	MFG PART NO. OR TYPE	TOT QTY	REC QTY	NOTE
U200	⊗ IC, C-MOS, QUAD, BI-LATERAL SWITCH	363838	02735	CD4016AE	1		
U201	IC, LIN, OP-AMP	428862	02735	CA3130	1	1	
U202	IC, LIN, 5-XSTR ARRAY, 2-PNP, 3-NPN	418954	02735	CA30963E	1	1	
U203	⊗ IC, C-MOS, HEX, BUFFER	381848	02735	CD4049AE	2	1	
U204	⊗ IC, C-MOS, QUAD, 2-INPUT NAND GATE	355198	02735	CD4011AE	1	1	
U205	SEE FINAL ASSEMBLY TABLE 5-1						
U206	IC, LIN, NPN, XSTR ARRAY	419002	02735	CA3086E	1	1	
U207	⊗ IC, C-MOS, HEX, BUFFER	381848	02735	CD4049AE	REF		
U209	⊗ IC, C-MOS, HEX INVERTER	404681	02735	CD4069UBE	1	1	
U210	IC, LIN, OP-AMP	418566	18324	LM358/CR999	1	1	
U211	IC, LIN, OP-AMP	413740	18324	LM307N	1	1	
VR201	DIODE, ZENER, 6.4V	381988	04713	SZG20120	1		1
VR202	IC, LIN, ADJ-REG	460410	12040	LM317T	1	1	
VR203	IC, LIN, VOL-REG	355107	07236	F78050C	1	1	
VR204	DIODE, ZENER	159798	07910	IN751A	1	1	
W1	WIRE ASSY, FRONT PANEL	486654	89536	486654	1		
W2	WIRE ASSY, FRONT PANEL	486662	89536	476662	1		
W5	WIRE ASSY, FRONT PANEL	486605	89536	486605	1		
W6	WIRE ASSY, FUSE	135541	89536	135541	3		
W7	WIRE ASSY, FUSE	486621	89536	486621	REF		
W8	WIRE ASSY	115733	89536	115733	1		
W9	WIRE ASSY	115717	89536	115717	1		
W10	GROUND STRAP ASSY, BRIDGE RECTIFIER	486647	89536	486647	1		
W11	WIRE ASSY, BRIDGE RECTIFIER	486639	89536	486639	1		
W201	WIRE ASSY, FUSE	135541	89536	135541	REF		
XF1	HOLDER, FUSE	375188	89536	375188	1		
XF1-1	FUSEHOLDER CAP, GREY, 1/4" X 1 1/4"	460238	89536	460238	1		
XR204	SOCKET, RESISTOR	343285	0779	2-33127-6	2		
XU200	SOCKET, IC, 14-PIN	370304	01295	C931402	1		
XU205	SOCKET, IC, 40-PINS	429282	09922	DILB40P-108	1		
1	IF VR201 IS REPLACED, THE A/D CALIBRATION RESISTOR (R204) MAY HAVE TO BE RESELECTED, SEE SECT. 4 A/D CALIBRATION RESISTOR SELECTION.						

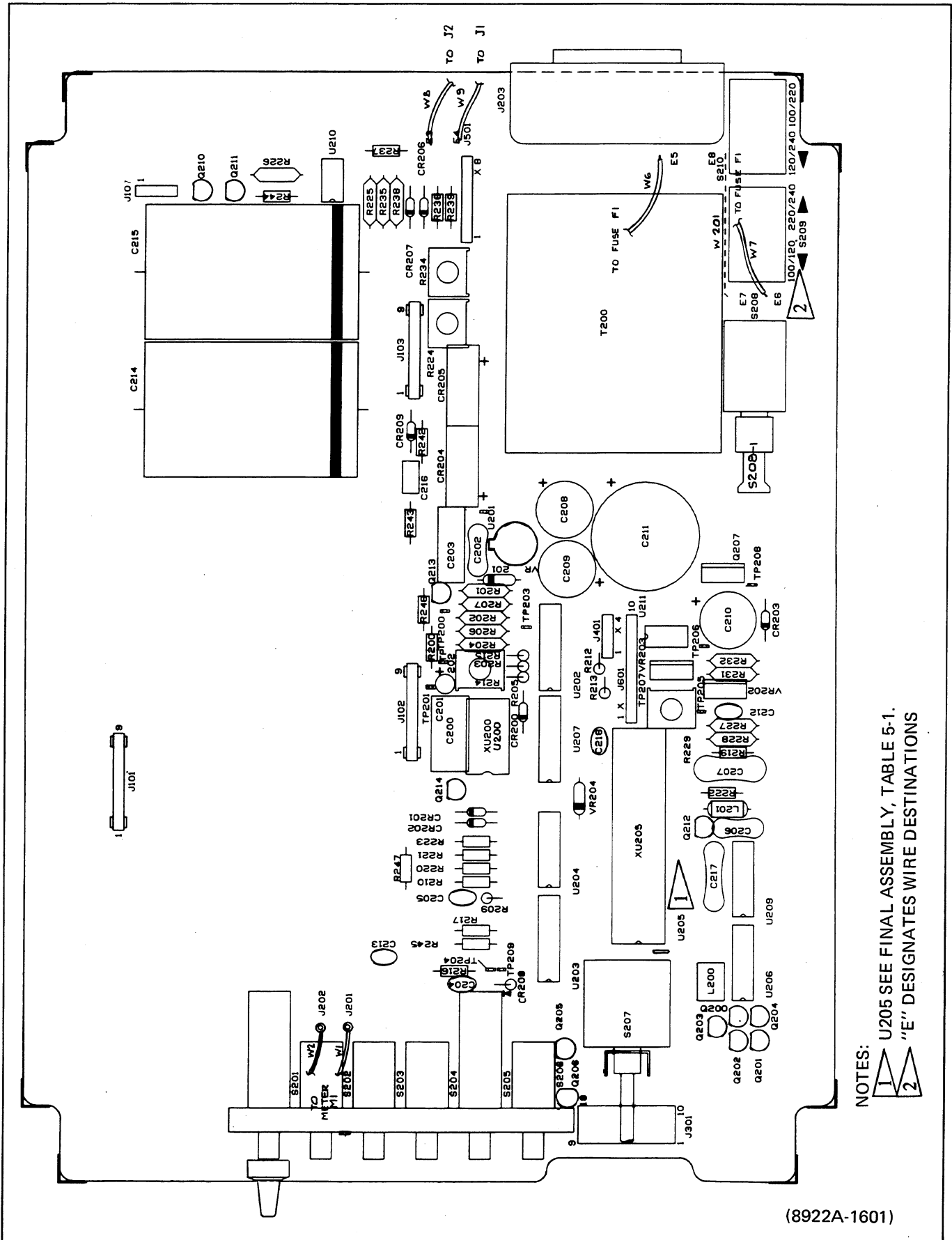


Figure 5-2. A1 Main PCB Assembly

(8922A-1601)

NOTES:  
 1 U205 SEE FINAL ASSEMBLY, TABLE 5-1.  
 2 "E" DESIGNATES WIRE DESTINATIONS

Table 5-3. A1A1 Display PCB Assembly

REF DES	DESCRIPTION	FLUKE STOCK NO.	MFG SPLY CODE	MFG PART NO. OR TYPE	TOT QTY	REC QTY	NOTE
A1A1	DISPLAY PCB ASSEMBLY FIGURE 5-3 (8920A-4002T)	456921	89536	456921	REF		
C301	CAP, TA, 1 UF +/-20%, 35V	161919	56289	196D105X0035JA1	1		
CR301	DIODE, HI-SPEED SWITCH	203323	07910	1N4448	1	1	
DS301	DISPLAY, LED	495457	29083	QDSP3507	1		
DS302	DISPLAY, LED	495440	28480	QDSP3515	4		
DS303	DISPLAY, LED	495440	28480	QDSP3515	REF		
DS304	DISPLAY, LED	495440	28480	QDSP3515	REF		
DS305	DISPLAY, LED	495440	28480	QDSP3515	REF		
DS306	DIODE, LIGHT EMITTING	385898	28480	5082-4887	5		
DS307	DIODE, LIGHT EMITTING	385898	28480	5082-4887	REF		
DS308	DIODE, LIGHT EMITTING	385898	28480	5082-4887	REF		
DS309	DIODE, LIGHT EMITTING	385898	28480	5082-4887	REF		
DS310	DIODE, LIGHT EMITTING	385898	28480	5082-4887	REF		
P301	CONNECTOR, POST	376574	00779	3-87022-1	18		
Q301	XSTR, SI, PNP	340026	89536	340026	1	1	
R301	RES, COMP, 150 +/-5%, 1/4W	147934	01121	CB1515	3		
R302	RES, COMP, 2.7K +/-5%, 1/4W	170720	01121	CB2725	1		
R303	RES, COMP, 150 +/-5%, 1/4W	147934	01121	CB1515	REF		
R304	RES, COMP, 15K +/-5%, 1/4W	148114	01121	CB1535	1		
R305	RES, COMP, 150 +/-5%, 1/4W	147934	01121	CB1515	REF		
U301	RESISTOR NETWORK	461442	89536	461442	1		
U302	IC, TTL, LO-POWER, DECODER DRIVER	418632	01295	SN74L47N	1	1	

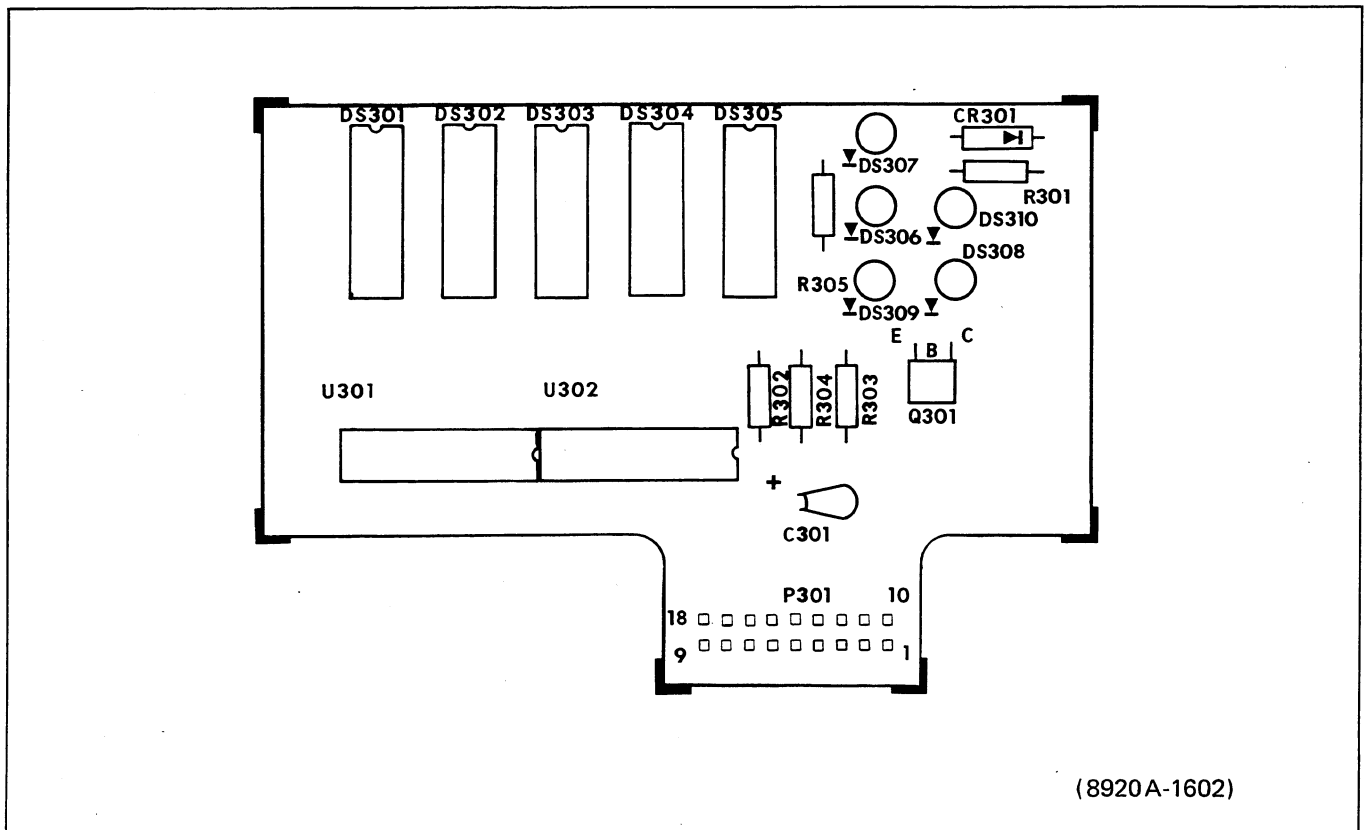


Figure 5-3. A1A1 Display PCB Assembly

Table 5-4. A2 AC PCB Assembly

REF DES	DESCRIPTION	FLUKE STOCK NO.	MFG SPLY CODE	MFG PART NO. OR TYPE	TOT QTY	REC QTY	NOTE
A2	AC PCB ASSEMBLY FIGURE 5-4 (8922A-4003)	ORDER	ONLY	REPLACEABLE PARTS	REF		
C1	CAP, POLYESTER, 0.022 UF +/-10%, 630V	479519	73445	C280MAG/A22K	1		
C2	CAP, PORC, 180 PF +/-5%, 1 KV	474551	95275	VY15CA181JA	1		
C3	CAP, PORC, 4.3 PF +/-0.25 PF, 1.7 KV	479253	95275	VY10CA4R3	1		
C4	CAP, CER, 510 PF +/-5%, 100V	460832	95275	VK20BA511J	1		
C5	CAP, VAR, 1-5-0.25 PF, 2000V	218206	72982	530-000	3		
C6	CAP, CER, 39 PF +/-5%, 100V	460824	95275	VK20BA390J	1		
C7	CAP, CER, 5100 PF +/-5%, 100V	460840	95275	VK20BA512J	1		
C8	CAP, VAR, 5.5-18 PF, 350V	460170	72982	538-002	1	1	
C9	CAP, VAR, 1.7-6 PF, 250V	460147	91293	9300	1	1	
C12	CAP, CER, 10,000 +/-20%, 100V	149153	56289	C023B101F103M	8		
C13	CAP, VAR, 1-5-0.25 PF, 2000V	218206	72982	530-000	REF		
C14	CAP, CER, 4.7 PF +/-0.25PF, 100V	362772	80031	2222-638-09478	1		
C15	CAP, CER, 50,000 PF -20/+80%, 25V	148924	72892	5855-000-Y5UD-503Z	4		
C16	CAP, TA, 10 UF +/-20%, 20V	330662	56289	196D106X0020KA1	11		
C17	CAP, CER, 10,000 +/-20%, 100V	149153	56289	C023B101F103M	REF		
C18	CAP, TA, 1.0 UF +/-20%, 35A	161919	56289	196D105X0035JA1	1		
C19	CAP, CER, 10,000 +/-20%, 100V	149153	56289	C023B101F103M	REF		
C20	CAP, TA, 10 UF +/-20%, 20V	330662	56289	196D106X0020KA1	REF		
C24	CAP, TA, 10 UF +/-20%, 20V	330662	56289	196D106X0020KA1	REF		
C25	CAP, CER, 10,000 +/-20%, 100V	149153	56289	C023B101F103M	REF		
C26	CAP, CER, 68 PF +/-2%, 100V	362756	80031	2222-631-10689	1		
C28	CAP, TA, 10 UF +/-20%, 20V	330662	56289	196D106X0020KA1	REF		
C29	CAP, TA, 10 UF +/-20%, 20V	330662	56289	196D106X0020KA1	REF		
C31	CAP, CER, 0.22 UF +/-20%, 50V	190314	51642	200-050-601-502M	1		
C33	CAP, VAR, 1-5-0.25 PF, 2000V	218206	72982	530-000	REF		
C34	CAP, TA, 10 UF +/-20%, 20V	330662	56289	196D106X0020KA1	REF		
C35	CAP, CER, 50,000 PF -20/+80%, 25V	148924	72892	5855-000-Y5UD-503Z	REF		
C36	CAP, CER, 10,000 +/-20%, 100V	149153	56289	C023B101F103M	REF		
C37	CAP, CER, 33 PF +/-2%, 100V	354852	80031	2222-638-10399	1		
C39	CAP, TA, 10 UF +/-20%, 20V	330662	56289	196D106X0020KA1	REF		
C40	CAP, TA, 10 UF +/-20%, 20V	330662	56289	196D106X0020KA1	REF		
C41	CAP, CER, 10,000 +/-20%, 100V	149153	56289	C023B101F103M	REF		
C42	CAP, TA, 10 UF +/-20%, 20V	330662	56289	196D106X0020KA1	REF		
C43	CAP, TA, 10 UF +/-20%, 20V	330662	56289	196D106X0020KA1	REF		
C45	CAP, TA, 82 UF +/-20%, 20V	357392	56289	196D826X0020TE4	2		
C48	CAP, TA, 82 UF +/-20%, 20V	357392	56289	196D826X0020TE4	REF		
C49	CAP, CER, 1000 PF +/-10%, 500V	357806	56289	C016B102G-102K	2		
C50	CAP, CER, 10,000 +/-20%, 100V	149153	56289	C023B101F103M	REF		
C51	CAP, CER, 10,000 +/-20%, 100V	149153	56289	C023B101F103M	REF		
C53	CAPACITOR SET (C53, C55)	463208	89536	463208	1		
C54	CAP, CER, 1000 PF +/-10%, 500V	357806	56289	C016B102G-102K	REF		
C55	CAPACITOR SET (SEE C53)						
C56	CAP, TA, 10 UF +/-20%, 20V	330662	56289	196D106X0020KA1	REF		
C57	CAP, MYLAR, 0.027 UF +/-10%, 250V	267120	73445	C280MAE/A47K	1		
C59	CAP, CER, 50,000 PF -20/+80%, 25V	148924	72892	5855-000-Y5UD-503Z	REF		
C60	CAP, CER, 50,000 PF -20/+80%, 25V	148924	72892	5855-000-Y5UD-503Z	REF		
C61	CAP, CER, 0.0068 UF +/-5%, 100V	512244	95275	VK44BA6825	1		

Table 5-4. A2 AC PCB Assembly (cont)

REF DES	DESCRIPTION	FLUKE STOCK NO.	MFG SPLY CODE	MFG PART NO. OR TYPE	TOT QTY	REC QTY	NOTE
C62	CAP, CER, 0.025 UF +/-20%, 100V	168435	56289	C023B101H253M	1		
CR1	DIODE, HI-SPEED SWITCH	203323	07910	IN4448	9	2	
CR2	DIODE, HI-SPEED SWITCH	203323	07910	IN4448	REF		
CR3	DIODE, SI, LO-CAP, LO-LEAK	348177	07263	FD7223	2	1	
CR4	DIODE, SI, LO-CAP, LO-LEAK	348177	07263	FD7223	REF		
CR5	DIODE, HI-SPEED SWITCH	203323	07910	IN4448	REF		
CR6	DIODE, HI-SPEED SWITCH	203323	07910	IN4448	REF		
CR7	DIODE, HI-SPEED SWITCH	203323	07910	IN4448	REF		
CR8	DIODE, HI-SPEED SWITCH	203323	07910	IN4448	REF		
CR9	DIODE, HI-SPEED SWITCH	203323	07910	IN4448	REF		
CR10	DIODE, HI-SPEED SWITCH	203323	07910	IN4448	REF		
CR11	DIODE, HI-SPEED SWITCH	203323	07910	IN4448	REF		
J106	SOCKET, SINGLE IN-LINE, 4-POST CONTACT	417311	30035	SS-109-1-04	1		
K1	COIL, REED RELAY	446898	71707	U20134	2		
	REED SWITCH	284091	95348	MR138	2		
K2	COIL, REED RELAY	446898	71707	U20134	REF		
	REED SWITCH	284091	95348	MR138	REF		
MP183	SPACER, XSTR MOUNTING	472969	13103	7717-30	1		
MP187	POST, CONTACT	379438	00779	9-87022-1	3		
MP190	THERMAL EQUALIZER	489179	89536	489179	1		
MP202	SHIELD, AC	456830	89536	456830	1		
P101	POST, CONTACT	474742	22526	65500-109	3		
P102	POST, CONTACT	474742	22526	65500-109	REF		
P103	POST, CONTACT	474742	22526	65500-109	REF		
P104	CONNECTOR, SOCKET	386144	00779	3-332070-4	1		
P107	POST, CONTACT	417329	22526	65500-104	1		
Q1	XSTR, SI, NPN, SELECTED	471565	89536	471565	2	1	3
Q2	XSTR, SI, NPN, SELECTED	471565	89536	471565	REF		3
Q3	XSTR, FET, JCT, N-CHANNEL	477448	89536	477448	1	1	
Q4	XSTR, FET, JCT, N-CHANNEL	376475	89536	376475	7	2	
Q5	XSTR, FET, JCT, N-CHANNEL	376475	89536	376475	REF		
Q6	XSTR, FET, JCT, N-CHANNEL	376475	89536	376475	REF		
Q8	XSTR, SI, PNP	453829	24355	AD821	2	1	
Q9	DUAL FET/RESISTOR SET (Q9, R17)	476788	89536	476788	1	1	2
Q10	XSTR, MATCHED SET (Q10, Q12, Q38, Q40)	463133	89536	463133	1	1	1
Q11	XSTR, SI, PNP	454066	04713	MPSH81	10	2	
Q12	XSTR, MATCHED SET (SEE Q10)				REF		1
Q13	XSTR, SI, NPN	333898	04713	MPSH10	7	1	
Q14	XSTR, SI, NPN	333898	04713	MPSH10	REF		
Q15	XSTR, SI, PNP	225599	12040	2N4250	2	1	
Q16	XSTR, SI, PNP	454066	04713	MPSH81	REF		
Q17	XSTR, SI, NPN	333898	04713	MPSH10	REF		
Q18	XSTR, SI, PNP	454066	04713	MPSH81	REF		
Q19	XSTR, SI, NPN	333898	04713	MPSH10	REF		
Q20	XSTR, SI, PNP	454066	04713	MPSH81	REF		
Q21	XSTR, SI, PNP	454066	04713	MPSH81	REF		
Q23	XSTR, SI, NPN	218081	04713	MPS6520	4	1	
Q24	XSTR, SI, PNP	229898	04713	MPS6522	4	1	
Q25	XSTR, SI, NPN	218081	04713	MPS6520	REF		
Q26	XSTR, SI, PNP	229898	04713	MPS6522	REF		

Table 5-4. A2 AC PCB Assembly (cont)

REF DES	DESCRIPTION	FLUKE STOCK NO.	MFG SPLY CODE	MFG PART NO. OR TYPE	TOT QTY	REC QTY	NOTE
Q28	XSTR, FET, JCT, N-CHANNEL	376475	89536	376475	REF		
Q29	XSTR, FET, N-CHANNEL	261578	89536	261578	2	1	
Q31	XSTR, FET, N-CHANNEL	261578	89536	261578	REF		
Q32	XSTR, FET, JCT, N-CHANNEL	376475	89536	376475	REF		
Q33	XSTR, FET, JCT, N-CHANNEL	376475	89536	376475	REF		
Q36	XSTR, SI, PNP	453829	24355	AD821	REF		
Q37	DUAL FET/RESISTOR SET (Q37, R46)				1		2
Q38	XSTR, MATCHED SET (SEE Q10)				REF		1
Q39	XSTR, SI, PNP	454066	04713	MPSH81	REF		
Q40	XSTR, MATCHED SET (SEE Q10)				REF		1
Q41	XSTR, SI, NPN	333898	04713	MPSH10	REF		
Q42	XSTR, SI, PNP	225599	12040	2N4250	REF		
Q43	XSTR, SI, PNP	454066	04713	MPSH81	REF		
Q44	XSTR, SI, NPN	333898	04713	MPSH10	REF		
Q45	XSTR, SI, PNP	454066	04713	MPSH81	REF		
Q47	XSTR, SI, NPN	333898	04713	MPSH10	REF		
Q48	XSTR, SI, PNP	454066	04713	MPSH81	REF		
Q49	XSTR, SI, PNP	454066	04713	MPSH81	REF		
Q50	XSTR, SI, NPN	218081	04713	MPS6520	REF		
Q51	XSTR, SI, PNP	229898	04713	MPS6522	REF		
Q52	XSTR, SI, NPN	218081	04713	MPS6520	REF		
Q53	XSTR, SI, PNP	229898	04713	MPS6522	REF		
Q55	XSTR, SI, NPN	330803	04713	MPS6560	1	1	
Q56	XSTR, SI, PNP	418707	04713	MPS6562	1	1	
Q57	XSTR, FET, JCT, N-CHANNEL	376475	89536	376475	REF		
Q58	XSTR, SI, NPN	218396	04713	2N3904	1	1	
Q59	XSTR, FET, N-CHANNEL	507780	89536	507780	1	1	
R1	RES, MTL. FILM, 1M +/-1%, 1/2W	161075	91637	CMF651004F	1		
R2	RES, PRECISION, FILM, 9.91M +/-1%, 1/2W	460121	91637	HFF1-9914F	1		
R3	RES, VAR, CER, 5K +/-10%, 1/2W	327569	89536	327569	1		
R4	RES, MTL. FILM, 96.5K +/-1%, 1/8W	474478	91637	CMF559652F	1		
R5	RES, VAR, 10 +/-20%, 1/2W	479311	80031	ET50W100	1		
R6	RES, MTL. FILM, 1M +/-1%, 1/4W	474486	91637	CMF601004F	1		
R7	RES, VAR, CER, 500 +/-10%, 1/2W	325613	89536	325613	1		
R8	RES, MTL. FILM, 9.76K +/-0.5%, 1/8W	474460	91637	CMF559761D	1		
R9	RES, COMP, 15K +/-5%, 1/4W	148114	01121	CB1535	2		
R10	RES, COMP, 100 +/-5%, 1/4W	147926	01121	CB1015	5		
R11	RES, COMP, 15K +/-5%, 1/4W	148114	01121	CB1535	REF		
R12	RES, CERMET, 9.09M +/-1%, 1/4W	459875	89536	459875	1		
R13	RES, MTL. FILM, 19.1 +/-0.5%, 1/8W	494286	91637	CMF5519R1D	2		
R14	RES, COMP, 1M +/-5%, 1/4W	182204	01121	CB1055	8		
R15	RES, COMP, 6.2M +/-5%, 1/4W	221960	01121	CB6255	2		
R16	RES, COMP, 22M +/-5%, 1/4W	221986	01121	CB2265	1		
R17	RESISTOR/DUAL FET SET (SEE Q9)				REF		
R18	RESISTOR SET (R18, R35, R65, R79)	463182	89536	463133	1	1	
R19	RESISTOR (SEE FINAL ASSEMBLY TABLE 5-1)						
R20	RES, COMP, 510 +/-5%, 1/4W	218032	01121	CB5115	3		
R21	RES, COMP, 390 +/-5%, 1/4W	147975	01121	CB3915	4		
R22	RES, COMP, 8.2K +/-5%, 1/4W	160796	01121	CB8225	2		
R23	RES, COMP, 10K +/-5%, 1/4W	148106	01121	CB1035	2		



Table 5-4. A2 AC PCB Assembly (cont)

REF DES	DESCRIPTION	FLUKE STOCK NO.	MFG SPLY CODE	MFG PART NO. OR TYPE	TOT QTY	REC QTY	NOTE
R25	RES, MTL. FILM, 499K +/-1%, 1/8W	268813	91637	CMF554993F	3		
R26	RES, VAR, CER, 100K +/-10%, 1/2W	369520	89536	369520	2		
R27	RES, COMP, 390 +/-5%, 1/4W	147975	01121	CB3915	REF		
R28	ZENER RESISTOR SET (R28/VR3)	515197	89536	515197	1	1	
R29	RES, COMP, 100 +/-5%, 1/4W	147926	01121	CB1015	REF		
R30	RES, COMP, 100 +/-5%, 1/4W	147926	01121	CB1015	REF		
R31	RES, MTL. FILM, 8.06K +/-1%, 1/8W	294942	91637	CMF558061F	1		
R33	RES, COMP, 33 +/-5%, 1/4W	175034	01121	CB3305	4		
R34	RESISTOR (SEE FINAL ASSEMBLY TABLE 5-1)						
R35	RESISTOR SET (SEE R18)				REF		
R36	RES, MTL. FILM, 619 +/-1%, 1/8W	313072	91637	CMF556190F	4		
R38	RES, MTL. FILM, 619 +/-1%, 1/8W	313072	91637	CMF556190F	REF		
R39	RES, COMP, 33 +/-5%, 1/4W	175034	01121	CB3305	REF		
R40	RES, COMP, 820 +/-5%, 1/4W	148015	01121	CB8215	2		
R41	RES, COMP, 22K +/-5%, 1/4W	148130	01121	CB2235	2		
R42	RES, COMP, 160 +/-5%, 1/4W	261859	01121	CB1615	2		
R44	RES, VAR, CER, 50 +/-10%, 1/2W	447862	89569	447862	1		
R45	RES, MTL. FILM, 121 +/-1%, 1/8W	343160	91637	CMF551210F	1		
R46	RESISTOR/DUAL FET SET (SEE Q37)				REF		
R47	RES, COMP, 300 +/-5%, 1/4W	348276	01121	CB3015	4		
R48	RES, COMP, 18 +/-5%, 1/4W	219022	01121	CB1805	4		
R49	RES, COMP, 18 +/-5%, 1/4W	219022	01121	CB1805	REF		
R50	RES, COMP, 300 +/-5%, 1/4W	348276	01121	CB3015	REF		
R51	RES, MTL. FILM, 442 +/-1%, 1/8W	474452	91637	CMF554420F	1		
R52	RES, MTL. FILM, 243 +/-1%, 1/8W	512228	91637	CMF552430F	1		
R53	RES, MTL. FILM, 33.2 +/-1%, 1/8W	296681	91637	CMF5533R2F	1		
R54	RES, COMP, 1K +/-5%, 1/4W	148023	01121	CB1025	2		
R55	RES, MTL. FILM, 20 +/-0.5%, 1/8W	494286	91637	CMF5519R1D	REF		
R56	RESISTOR PAIR (R56 & R57)	467662	89536	467662	1	1	
R57	RESISTOR PAIR (SEE R56)				REF		
R58	RES, COMP, 1M +/-5%, 1/4W	182204	01121	CB1055	REF		
R59	RES, COMP, 1M +/-5%, 1/4W	182204	01121	CB1055	REF		
R60	RES, COMP, 1M +/-5%, 1/4W	182204	01121	CB1055	REF		
R62	RES, COMP, 1M +/-5%, 1/4W	182204	01121	CB1055	REF		
R63	RES, COMP, 6.2M +/-5%, 1/4W	221960	01121	CB6255	REF		
R65	RESISTOR SET (SEE R18)				REF		
R66	RESISTOR (SEE FINAL ASSEMBLY TABLE 5-1)						
R67	RES, COMP, 510 +/-5%, 1/4W	218032	01121	CB5115	REF		
R68	RES, MTL. FILM, 3.48K +/-1%, 1/8W	260687	91637	CMF553481F	1		
R69	RES, COMP, 100 +/-5%, 1/4W	147926	01121	CB1015	REF		
R70	RES, COMP, 33 +/-5%, 1/4W	175034	01121	CB3305	REF		
R71	RES, MTL. FILM, 499K +/-1%, 1/8W	268813	91637	CMF554993F	REF		
R72	RES, VAR, CER, 100K +/-10%, 1/2W	369520	89536	369520	REF		
R73	RES, COMP, 390 +/-5%, 1/4W	147975	01121	CB3915	REF		
R74	RES, COMP, 8.2K +/-5%, 1/4W	160796	01121	CB8225	REF		
R75	RES, COMP, 10K +/-5%, 1/4W	148106	01121	CB1035	REF		
R76	RESISTOR (SEE FINAL ASSEMBLY TABLE 5-1)						
R77	RES, COMP, 390 +/-5%, 1/4W	147975	01121	CB3915	REF		
R78	RES, MTL. FILM, 619 +/-1%, 1/8W	313072	91637	CMF556190F	REF		
R79	RESISTOR SET (SEE R18)				REF		

Table 5-4. A2 AC PCB Assembly (cont)

REF DES	DESCRIPTION	FLUKE STOCK NO.	MFG SPLY CODE	MFG PART NO. OR TYPE	TOT QTY	REC QTY	NOTE
R80	RES, COMP, 100 +/-5%, 1/4W	147926	01121	CB1015	REF		
R82	RES, COMP, 820 +/-5%, 1/4W	148015	01121	CB8215	REF		
R83	RES, MTL. FILM, 619 +/-1%, 1/8W	313072	91637	CMF556190F	REF		
R84	RES, COMP, 22K +/-5%, 1/4W	148130	01121	CB2235	REF		
R85	RES, COMP, 33 +/-5%, 1/4W	175034	01121	CB3305	REF		
R86	RES, COMP, 160 +/-5%, 1/4W	261859	01121	CB1615	REF		
R87	RES, COMP, 300 +/-5%, 1/4W	348276	01121	CB3015	REF		
R88	RES, COMP, 300 +/-5%, 1/4W	348276	01121	CB3015	REF		
R89	RES, COMP, 18 +/-5%, 1/4W	219022	01121	CB1805	REF		
R90	RES, COMP, 18 +/-5%, 1/4W	219022	01121	CB1805	REF		
R91	RES, MTL. FILM, 1K +/-1%, 1/8W	474445	91637	CMF551001F	1		
R92	RES, MTL. FILM, 49.9 +/-0.1%	512236	91637	CMF5549R9B	1		
R93	RES, MTL. FILM, 7.50K +/-1%, 1/8W	223529	91637	CMF557501F	1		
R94	RES, MTL. FILM, 51.1K +/-1%, 1/8W	289553	91637	CMF555112F	1		
R95	RES, COMP, 1K +/-5%, 1/4W	148023	01121	CB1025	REF		
R96	RESISTOR (SEE FINAL ASSEMBLY TABLE 5-1)						
R97	RESISTOR (SEE FINAL ASSEMBLY TABLE 5-1)						
R98	RES, MATCHED PAIR (R98, R106)	458299	89536	458299	1	1	
R99	RES, MTL. FILM, 20.5K +/-1%, 1/8W	261669	91637	CMF552052F	2		
R100	RES, MTL. FILM, 499K +/-1%, 1/8W	268813	91637	CMF554993F	REF		
R101	RES, VAR, CER, 10K +/-10%, 1/2W	309674	89536	309674	2		
R102	RES, MTL. FILM, 357K +/-1%, 1/8W	235002	91637	CMF553573F	1		
R103	RES, MTL. FILM, 110K +/-1%, 1/8W	234708	91637	CMF551103	1		
R104	RES, MTL. FILM, 20.5K +/-1%, 1/8W	261669	91637	CMF552052F	REF		
R105	RESISTOR (SEE FINAL ASSEMBLY TABLE 5-1)						
R106	RES, MATCHED PAIR (SEE R98)				REF		
R107	RES, MTL. FILM, 82.5K +/-1%, 1/8W	246223	91637	CMF558252F	2		
R108	RES, MTL. FILM, 82.5K +/-1%, 1/8W	246223	91637	CMF558252F	REF		
R109	RES, MTL. FILM, 2K +/-1%, 1/8W	235226	91637	CMF552001F	1		
R110	RESISTOR (SEE FINAL ASSEMBLY TABLE 5-1)						
R114	RES, COMP, 510 +/-5%, 1/4W	218032	01121	CB5115	REF		
R115	RES, MTL. FILM, 14.3K +/-1%, 1/8W	291617	91637	CMF551432F	1		
R117	RES, MTL. FILM, 1K +/-1%, 1/8W	168229	91637	CMF551001F	1		
R118	RES, COMP, 150K +/-5%, 1/4W	275685	01121	CB1545	1		
R119	RES, COMP, 270K +/-5%, 1/4W	220061	01121	CB2745	1		
R120	RES, COMP, 1M +/-5%, 1/4W	182204	01121	CB1055	REF		
R121	RES, COMP, 1M +/-5%, 1/4W	182204	01121	CB1055	REF		
R122	RES, COMP, 10M +/-5%, 1/4W	194944	01121	CB1065	1		
R123	RESISTOR (SEE FINAL ASSEMBLY TABLE 5-1)						
R124	RESISTOR (SEE FINAL ASSEMBLY TABLE 5-1)						
R125	RES, COMP, 100K +/-5%, 1/4W	148189	01121	CB1045	2		
R126	RES, COMP, 100K +/-5%, 1/4W	148189	01121	CB1045	REF		
R127	RES, VAR 150K +/-10%, 1/2W	519199	11236	360T-154A	1		
R128	RES, COMP, 5.6M +/-5%, 1/4W	358077	01121	CB5655	1		
R129	RES, COMP, 5.1K +/-5%, 1/4W	193342	01121	CB5125	1		
R130	RES, COMP, 1M +/-5%, 1/4W	182204	01121	CB1055	REF		
U1	RMS SENSOR	433839	89536	433839	1	1	
U2	IC OP AMP, J-FET	357830	12040	LH0042C	1	1	
U3	IC, LINEAR, OP AMP	418566	18324	LM358/CR3999	2		
U4	IC, LINEAR, OP AMP	418566	18324	LM358/CR3999	REF		

Table 5-4. A2 AC PCB Assembly (cont)

REF DES	DESCRIPTION	FLUKE STOCK NO.	MFG SPLY CODE	MFG PART NO. OR TYPE	TOT QTY	REC QTY	NOTE
U5	IC, LINEAR, 5-XSTR ARRAY	248906	02735	CA3046	1	1	
VR1	DIODE, ZENER, 5.6V	277236	07910	IN752A	2	1	
VR2	DIODE, ZENER, 5.6V	277236	07910	IN752A	REF		
VR3	PART OF ZENER RESISTOR SET (SEE R28)				REF		
VR4	DIODE, ZENER 13V	110726	07910	IN964B	1	1	
XR18	SOCKET, IN-LINE, 5-PIN (NOT SHOWN)	417899	52072	CA-05S-TSD	2		
XR35	SOCKET, IN-LINE, 5-PIN (NOT SHOWN)	417899	52072	CA-05S-TSD	REF		
XR65	SOCKET, IN-LINE, 9-PIN (NOT SHOWN)	436774	52072	CA-09S-TSD	2		
XR79	SOCKET, IN-LINE, 9-PIN (NOT SHOWN)	436774	52072	CA-09S-TSD	REF		
	1	IF ANY ONE OF THE FOUR MATCHED XSTRS ARE DAMAGED ALL FOUR WILL HAVE TO BE REPLACED AND THE DC OFFSET RESISTORS FOR AMP-A AND AMP-B WILL HAVE TO BE RESELECTED. THEREFORE, IT WILL BE NECESSARY TO ORDER TWO RESISTOR SETS. SEE SECT. 4 "DC OFFSET RESISTOR SELECTION".					
	2	IF THIS PART IS REPLACED, THE DC OFFSET RESISTOR FOR THE CORRESPONDING AMPLIFIER (AMP-A, AMP-B) MAY HAVE TO BE RESELECTED. SEE SECT. 4 "DC OFFSET RESISTOR SELECTION". (Q9 AND R17, Q37 AND R46) MATCHED PAIRED SETS, PART NUMBER 476700.					
	3	Q1, AND Q2, XSTR MUST BE COLOR MATCHED.					

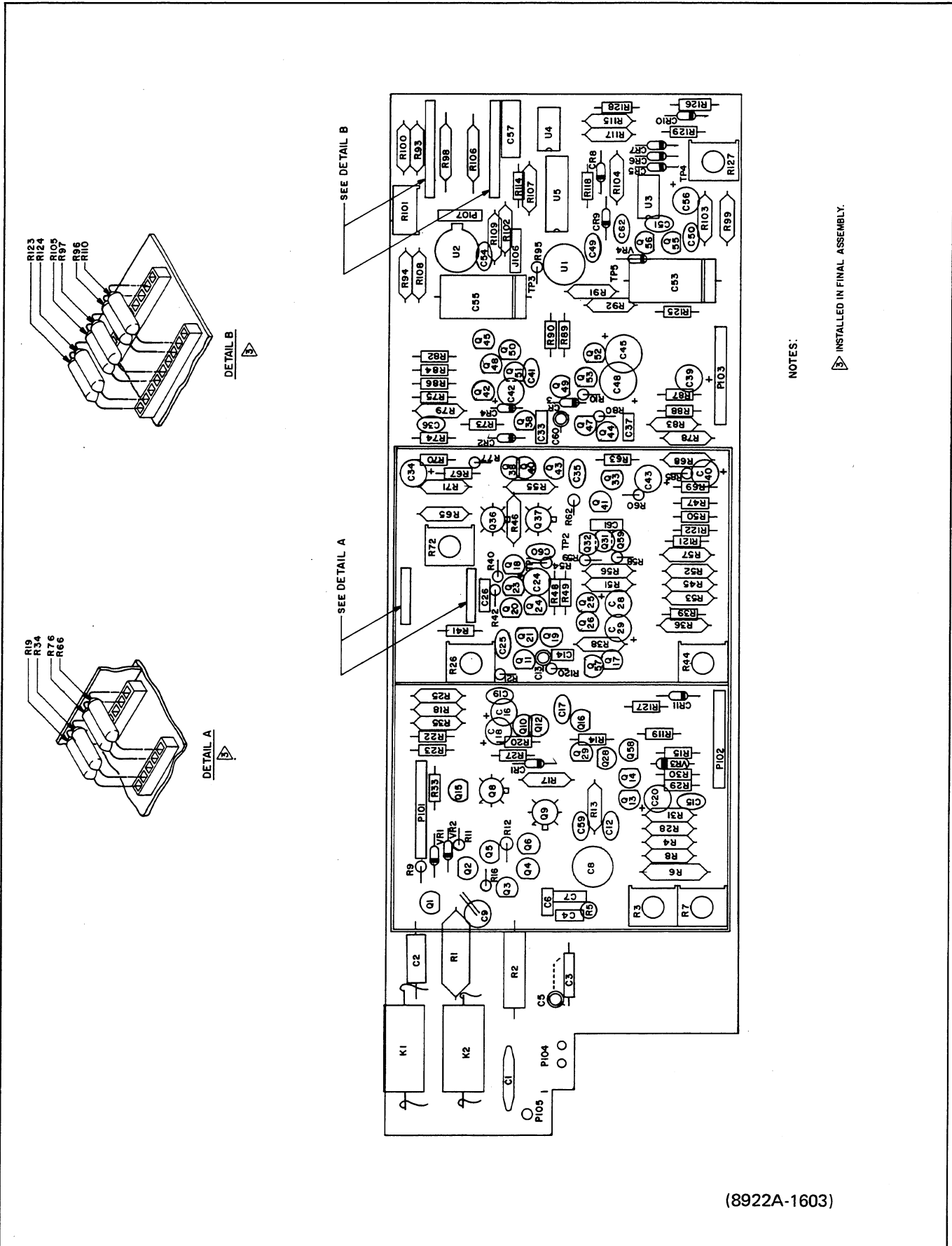


Figure 5-4. A2 AC PCB Assembly

## Section 6

# Option & Accessory Information

### TABLE OF CONTENTS

OPTION/ MODEL NO.	DESCRIPTION	PAGE
	ACCESSORIES	
Y2014	Offset-Right Rack Mount .....	600-1
Y2015	Double Offset Rack Mount .....	600-1
Y2020	Panel Mount (DIN size) .....	600-1
	OPTIONS	
8922A-003	Counter Output .....	603-1
8922A-004	Logarithmic Analog Output .....	604-1
8922A-521	DMM Digital Interface .....	6521-1
8922A-529	DMM-IEEE-488 Interface .....	6529-1

## **6-1. INTRODUCTION**

6-2. This section of the manual contains information concerning the options and accessories available for use with the Model 8922A. This section consists of an introductory section, an accessories subsection and a series of option subsections. All options and accessories are listed by model or option number in the table of contents included in this section.

## **6-3. ACCESSORIES**

6-4. Hardware type accessories, i.e., rack mounting kits and cables, are documented in the accessories subsection. While option numbers (-003, -004) are documented as

individual subsections. Each subsection contains all of the information necessary to install, operate and maintain each option and accessory. This includes a list of replaceable parts and a schematic (when applicable).

## **6-5. OPTIONS**

6-6. The location of a particular subsection is facilitated by the use of unique page and paragraph numbering which corresponds to the option or accessory in question. For example, a 600-X series identifies the general accessories subsection and a 604-X series identifies the subsection for the -004 Option (where X is the individual page or paragraph number).

## Accessories

### 600-1. RACK MOUNTING KITS

600-2. Kits are available that allow your DVM to be mounted either in a standard 19-inch equipment rack or panels with DIN size openings. The Y2014 allows one instrument to be offset-mounted on the right side in a 19-inch equipment rack (Figure 600-1). The Y2015 allows

two instruments to be mounted side-by-side in a 19-inch equipment rack (Figure 600-2). The Y2020 allows one instrument to be panel mounted in a DIN size opening. With the appropriate mounting kit installed, you can easily remove your DVM for portable operation and easily mount the DVM back in the permanent installation.

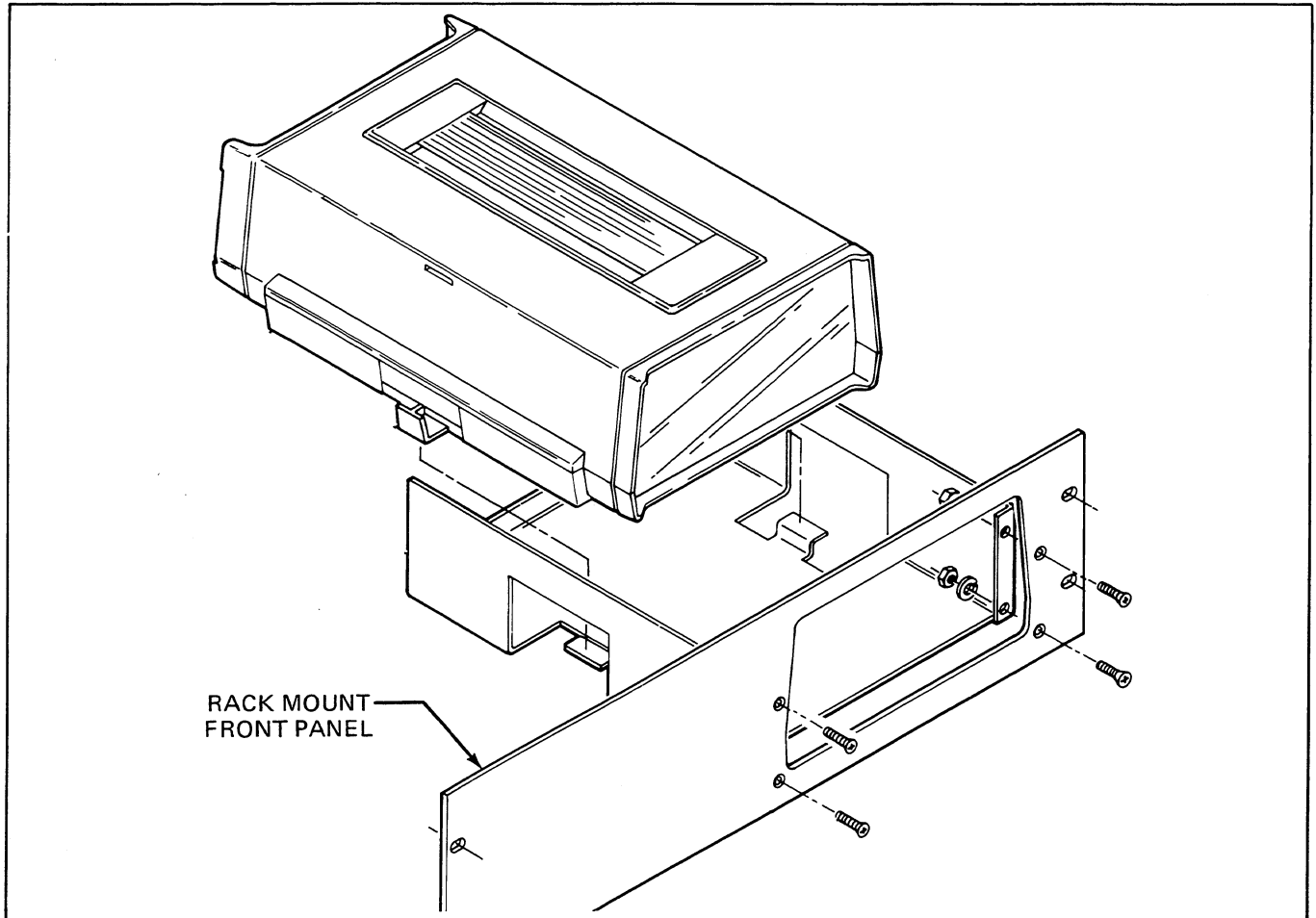


Figure 600-1. Y2014 Offset-Right Rack Mount

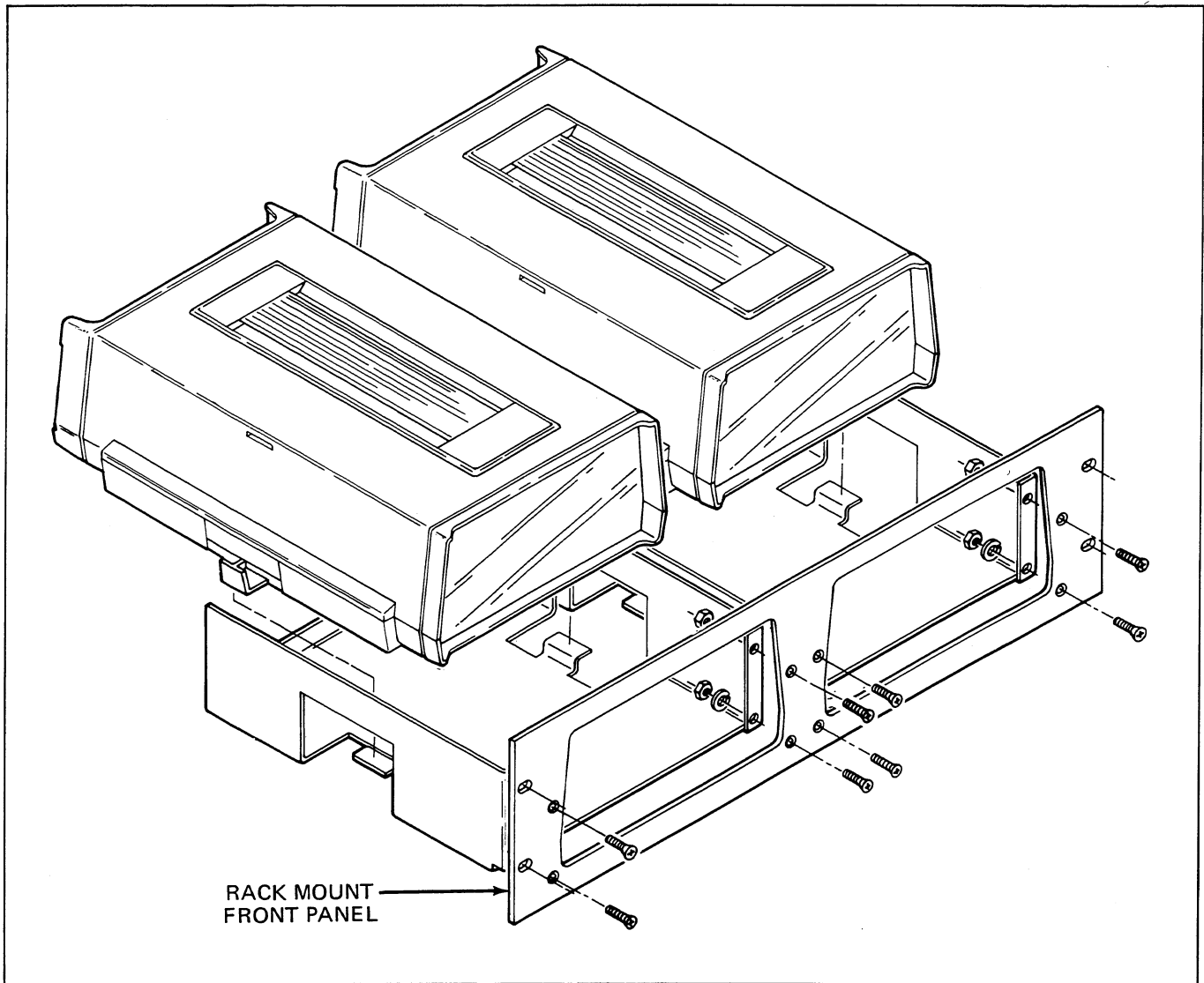


Figure 600-2. Y2015 Double Offset Rack Mount



## -003 Option Counter Output

### 603-1. INTRODUCTION

603-2. The -003 Counter Output Option converts an rms input signal into an isolated 100 mV peak, squarewave suitable for triggering a counter. There are several advantages as opposed to using separate inputs for the DVM and the counter. First, the 8922A autoranged input has a much greater dynamic range than a counter. This means that input sensitivity is increased to 180  $\mu$ V while, on the other hand, DVM inputs as large as 700V rms will not overload the counter. In practice, inputs should be 1.8 mV or greater due to possible false triggering effects of noise riding on lower level inputs. Secondly, because the counter output is isolated, the diode isolation from earth ground is not defeated if the counter low input is earth ground. Third, only one probe is needed to make simultaneous voltage and frequency measurements.

### 603-3. SPECIFICATIONS

603-4. Specifications for the Counter Output Option are given in Section 1 of this manual.

### 603-5. INSTALLATION

603-6. Use the following procedure to install the Counter Output Option. Refer to Figure 603-1 for illustration.

1. Remove 8922A top cover (see Access Information).
2. Plug Counter Output Option into J106-1, J106-3 of the A2 AC PCB Assembly and mechanically

secure with the three screws provided; one on the AC Assy shield and two on the rear panel.

3. Connect the 3-wire cable (P401) to J401 on the A1 Main PCB Assembly.
4. Verify operation using the calibration procedure.
5. Replace the shields.

### 603-7. OPERATION

603-8. Once installed, the Counter Output Option requires no operator attention other than ensuring that no voltage is ever applied to the option's rear panel BNC output (J102).

### 603-9. THEORY OF OPERATION

603-10. As shown in Figure 603-2, the Counter Output Option utilizes an isolation amplifier, two Schmitt triggers, pulse transformer, and a DC-DC power supply to provide an isolated output suitable for triggering a counter. The isolation amp is used as a buffer between amplifier B's output and the first Schmitt trigger. The Schmitt trigger drives the pulse transformer with a square wave at the same frequency as the sine wave input. The pulse transformer provides isolation between the input common and output common. The second Schmitt trigger is used to convert the pulse transformer output to the 100 mV square wave output at the same frequency as the sine wave input. The DC-DC power supply provides isolated +5.3V and -6.5V for the second Schmitt trigger.

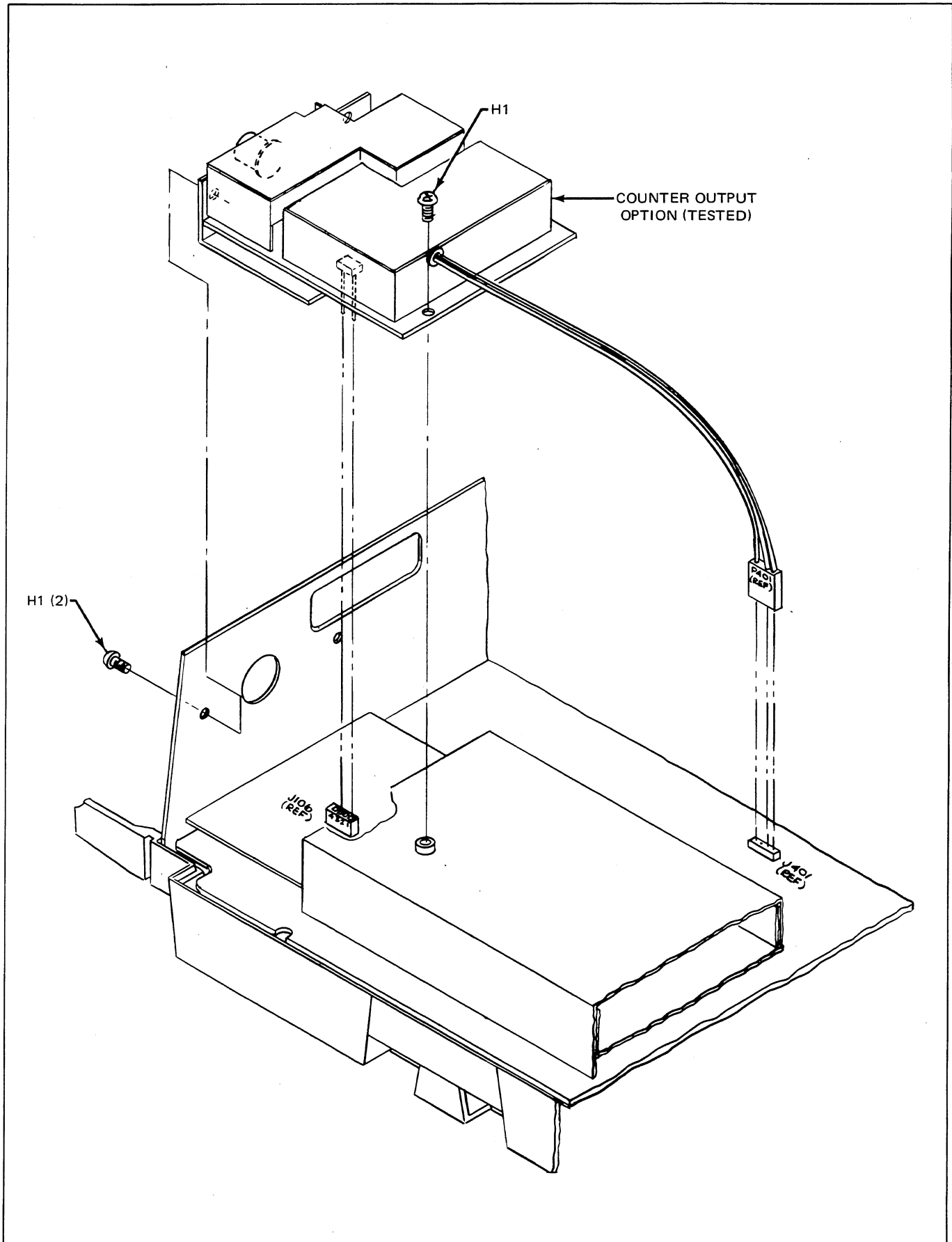


Figure 603-1. Counter Output Option Installation

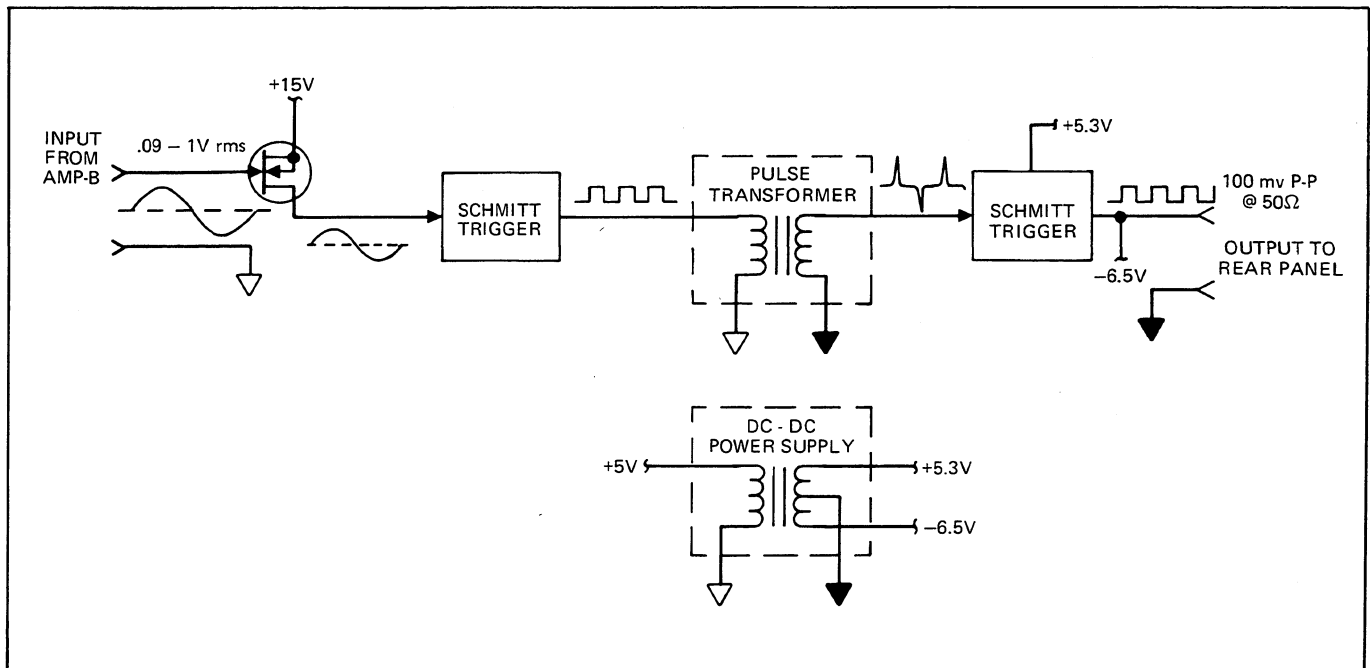


Figure 603-2. Counter Output Option Simplified Schematic

### 603-11. MAINTENANCE

603-12. The following maintenance information covers three areas; performance testing, calibration and troubleshooting of the -003 Counter Output Option. However, before any of these procedures can be started, the calibration of the mainframe instrument (8922A) must be successfully completed. The table of recommended test equipment in Section 4 lists all of the equipment necessary to calibrate, adjust, and troubleshoot the mainframe instrument. Any additional equipment required to check and calibrate the -003 Option is listed in Table 603-1. If you are unable to obtain the recommended test equipment, insure that the substitute has equal or better performance specifications.

#### NOTE

*For the following procedures the 8922A will be referred to as the UUT (Unit Under Test).*

Table 603-1. Recommended Test Equipment

QTY	EQUIPMENT NOMENCLATURE	REQUIREMENT	RECOMMENDED EQUIPMENT
1	Universal Counter Timer	100 Hz-20 MHz	Fluke 1953A
2	Oscilloscope	DC to 200 MHz 1.8 ns	Tektronix 475

### 603-13. Performance Test

603-14. The following procedure will verify that the Counter Output Option is operating within the specification limits stated in Section 1.

1. Connect the AC calibrator, UUT, oscilloscope and termination as shown in Figure 603-3.
2. Set the AC calibrator to its 10V range, set the UUT to AC FUNCTION, VOLTS DISPLAY MODE, and 2V range, HOLD and set the oscilloscope's time base to 0.2 sec/div and Vert on 50 mV/div.
3. Referring the Table 603-2, change input to UUT as indicated, and note that display values are within indicated tolerances.
4. Disassemble the setup as shown in Figure 603-3, and connect the SG503, UUT, and Universal Counter-Timer and terminations, as shown in Figure 603-4.
5. Set the SG503 to its 10-25 MHz range, set the Universal Counter-Timer for frequency ratio measurement with 10 sec gate interval, and the UUT set to AC FUNCTION, VOLTS DISPLAY MODE, and 200 MV RANGE HOLD.
6. Referring to Table 603-3, change input to UUT as indicated, and note that display values are within indicated tolerances.

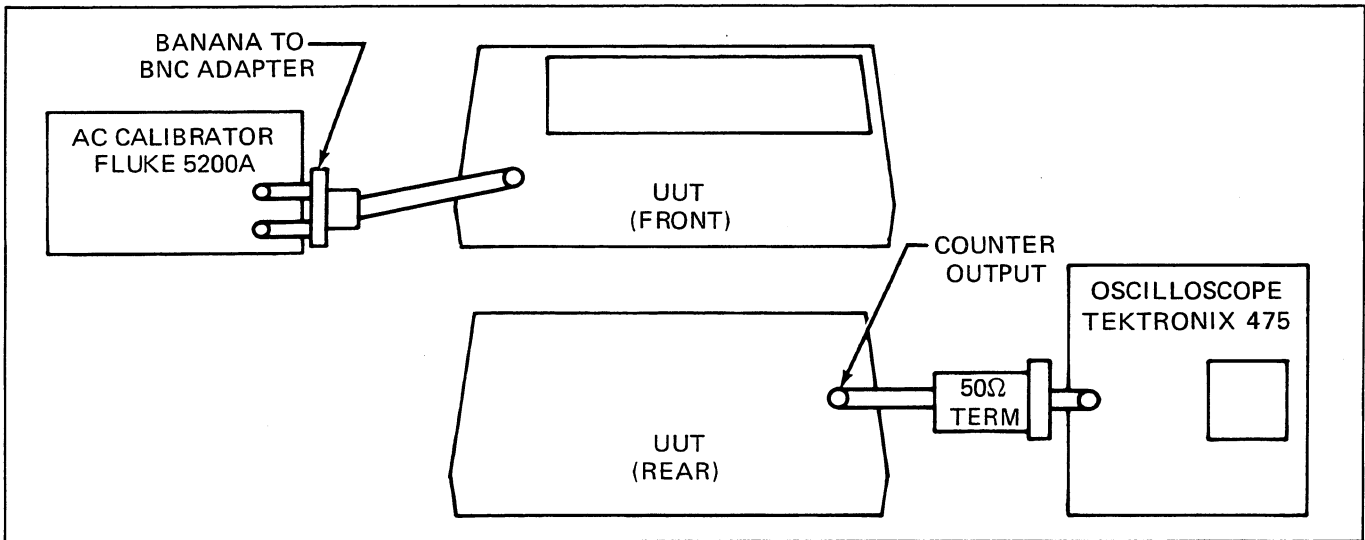


Figure 603-3. Counter Output Performance Set-Up

Table 603-2. Counter Output Amplitude

AC CALIBRATOR OUTPUT	UUT DISPLAY	OSCILLOSCOPE DISPLAY $\pm 20\%$	COMMENTS
1.9V, 1 kHz	1.900	Observe 100 mV squarewave	Adjust calibrator output to obtain UUT display.
0.18V, 1 kHz	.180	Observe 100 mV squarewave	Adjust calibrator output to obtain UUT display.

Table 603-3. Counter Output Frequency Response

SG503 OUTPUT	UUT DISPLAY	COUNTER-TIMER DISPLAY $\pm 1$ DIGIT	COMMENTS
18 mV, 20 MHz	18.0	1.00000	Adjust the SG503 output to obtain UUT display.
180 mV, 20 MHz	180.0	1.00000	Adjust the SG503 output to obtain UUT display.

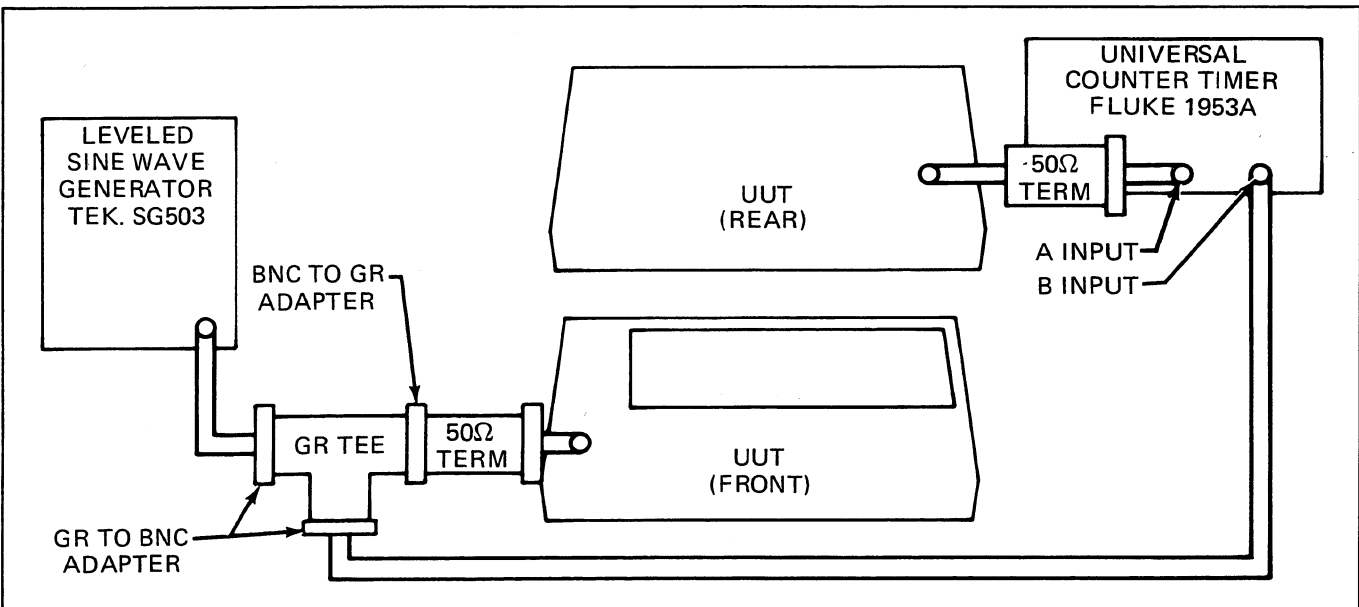


Figure 603-4. Counter Output Performance Test Set-Up

## 603-15. CALIBRATION ADJUSTMENT

603-16. The Counter Output Option should be adjusted when it is first installed or if the limits, as stated in the performance test, cannot be met. Use the following procedure to calibrate the Counter Output Option. If it is not possible to obtain the limits as stated in the following procedure, then the option will require troubleshooting. If, however, the limits are met, then we recommend that the performance test be completed as a check.

1. Remove the UUT's top cover and measure the inverter power supply voltages:

### MEASURE BETWEEN DVM DISPLAY

C413 and Ground	5.0V, $\pm 0.3$ V
C414 and Ground	-6.2V, $\pm 0.3$ V

2. Connect the AC calibrator, UUT, oscilloscope, and terminations as shown in Figure 603-3.
3. Set the AC calibrator to its 1V range at 10 kHz, set the oscilloscope time base to 20  $\mu$ sec/div. and Vert to 50 mV/div. and set the UUT to AC FUNCTION, VOLTS DISPLAY MODE, and 2V range HOLD.
4. Apply 180 mV/10 kHz from the AC calibrator to the input of the UUT. Using the oscilloscope check the UUT's counter output and adjust R404

until a symmetrical square wave is obtained. The amplitude of the square wave should be 100 mV peak,  $\pm 20\%$  and must not change as the input to the UUT is increased up to 18V.

5. Disassemble the set up as shown in Figure 603-3 and connect the SG503, UUT, Universal Counter-Timer, and terminations as shown in Figure 603-5.
6. Set the SG503 to its 11 MHz range, set the Counter-Timer for frequency ratio measurement with a 10 sec gate time and set the UUT to AC FUNCTION, VOLTS DISPLAY MODE, and 200 mV range HOLD.
7. Select an 11 MHz output on the SG503 and adjust its amplitude with the vernier control until the UUT reads 18.0 mV. At this point, the Counter-Timer should display a stable reading of 01.00000  $\pm 1$  digit.
8. Reduce the output amplitude of the SG503 until the Counter-Timer display limit of step 7 cannot be met.
9. Adjust R404 until the Counter-Timer display limit of step 7 is met.
10. Repeat steps 8 and 9 until the Counter-Timer display limit can be met at the lowest possible input level.

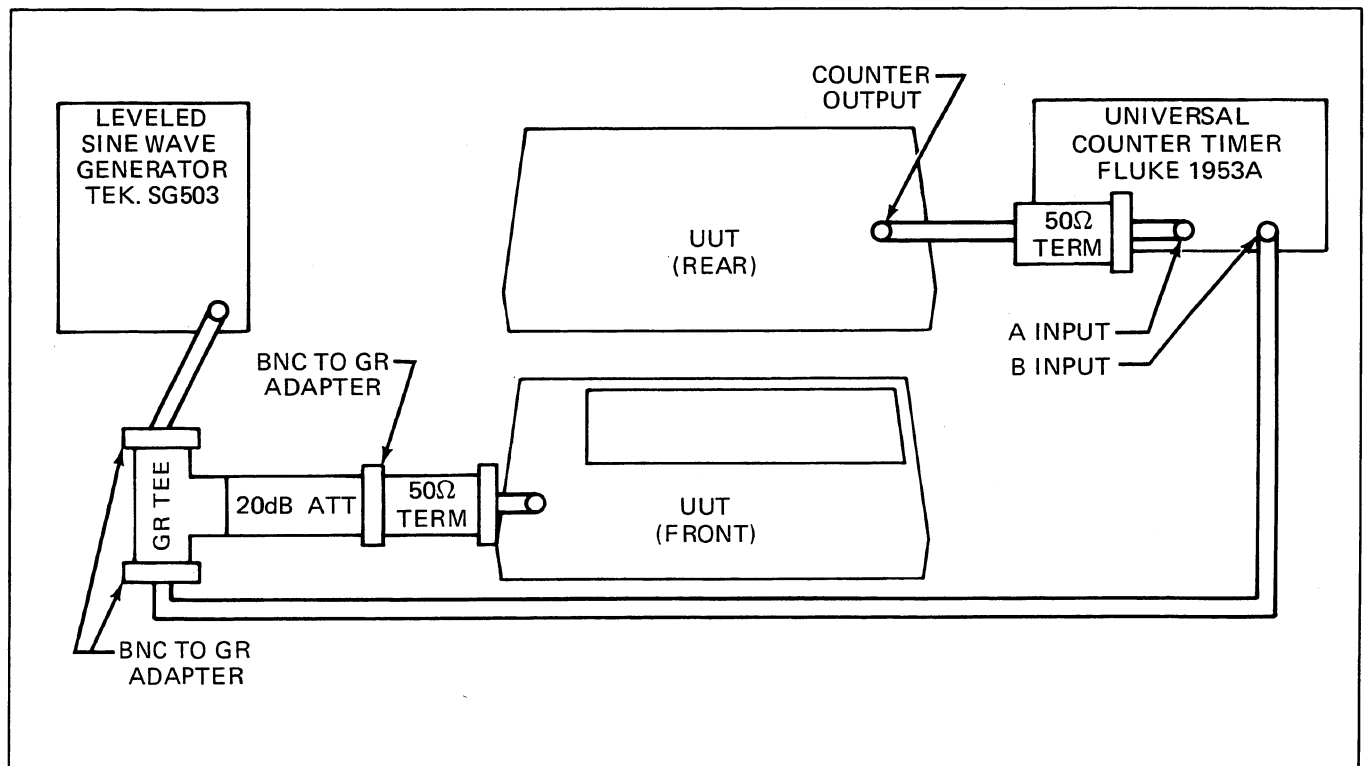


Figure 603-5. Calibration Set-Up

## 603-17. TROUBLESHOOTING

603-18. Table 603-4 should be completed ONLY if the performance test and calibration procedure indicate the the -003 Counter Output Option IS NOT operating correctly. This table includes voltage levels and waveforms of a properly functioning -003 Option. If you are unable to obtain any value ( $\pm 15\%$ ) then you should replace the defective component and repeat the entire troubleshooting procedure. However, if all values are

obtained then the performance test and calibration procedure must be repeated.

## 603-19. LIST OF REPLACEABLE PARTS

603-20. A list of replaceable parts for the Counter Output Option is given in Table 603-5 and shown in Figure 603-6. Refer to Section 5 of this manual for ordering information.

**Table 603-4. Counter Output Option Troubleshooting**

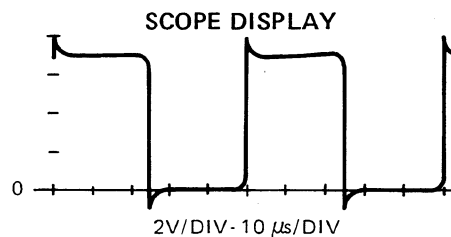
1. Using the 8020A or any compatible 3 1/2 digit meter, measure the following supply voltages.

SUPPLY VOLTAGE	MEASURE BETWEEN HIGH TERMINAL AND LOW TERMINAL	DVM DISPLAY (8020A)
+15	U401-1 and Input Common*	+15.00, $\pm 0.1V$
-15	U401-6 and Input Common*	-15.00 $\pm 0.2V$
+5	T402-2 and Input Common*	+5.00 $\pm 0.25V$
+5.3	U401-1 and Chassis Ground*	+5.3 $\pm 0.3V$
-6.5	U401-6 and Chassis Ground*	-6.5 $\pm 0.3V$

2. Using an oscilloscope (with x10 probe) Tek 475 or equivalent, check the following points for the indicated waveforms.

**MEASURE BETWEEN HIGH TERMINAL - LOW TERMINAL**

T402-1 and Input Common\*  
T402-3 and Input Common\*



T402-6 and Input Common\*  
T402-8 and Input Common\*

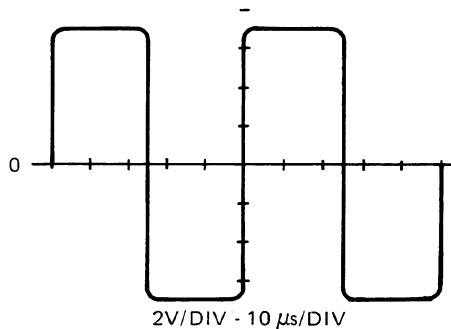


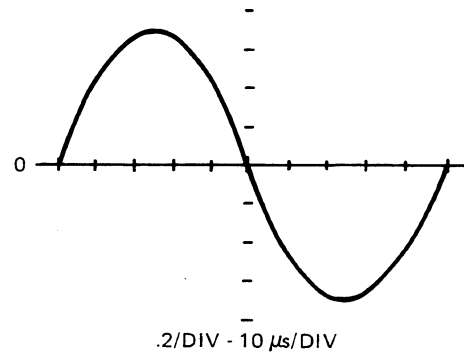
Table 603-4. Counter Output Option Troubleshooting (cont)

2a. Using Fluke 5200A or equivalent, apply 1V/10 kHz signal to input of UUT.

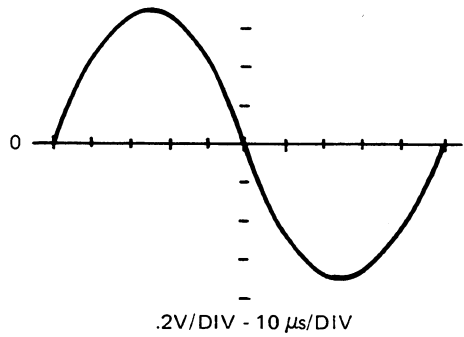
**MEASURE BETWEEN HIGH  
TERMINAL - LOW TERMINAL**

**SCOPE DISPLAY**

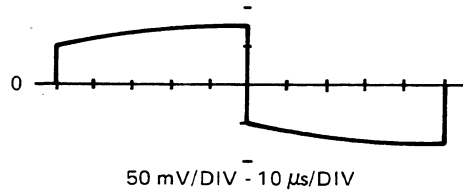
Gate of Q401A and Input Common\*



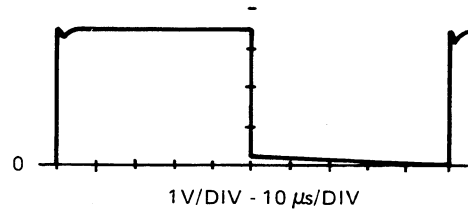
Drain of Q401B and Input Common\*  
U401-3 and Input Common\*



U401-4 and Input Common\*



U401-9 and Input Common\*



T401 input and Input Common\*

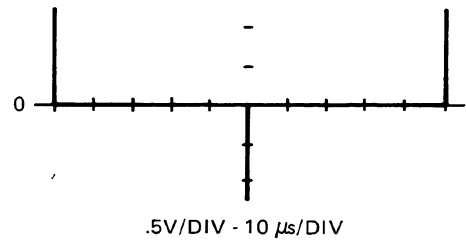
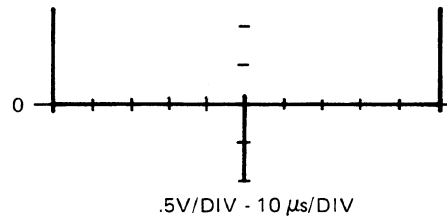


Table 603-4. Counter Output Option Troubleshooting (cont)

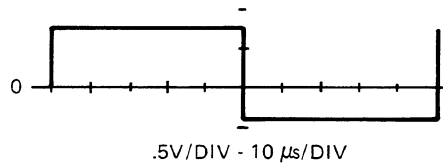
MEASURE BETWEEN HIGH  
TERMINAL—LOW TERMINAL

SCOPE DISPLAY

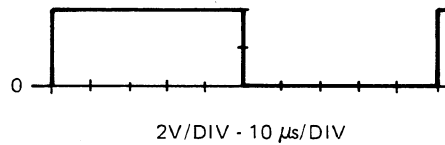
T401 output and Chassis Ground\*



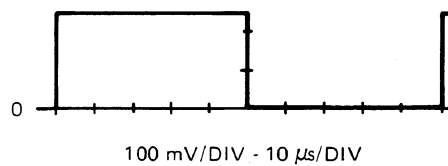
U402-4 and Chassis Ground\*



U402-9 and Chassis Ground\*



J402 and Chassis Ground\*

\*Input Common =  $\nabla$  see schematic at end of this manual, Section 8.\*Chassis Ground =  $\blacktriangledown$  see schematic at end of this manual, Section 8.

5. Press the 8922A dB/VOLTS switch to the dB position then the REL/dBm switch to the REL position. The 8922A display will be  $\pm 0.00$  dB.
6. Select the 20 volt range on the DVM.
7. Use the decade switch on the ac source to increase the 8922A input to the levels indicated in Table 604-1. Note the DVM and 8922A displays to be within the tolerances given.



Table 603-5. Counter Output Option PCB Assembly

REF DES	DESCRIPTION	FLUKE STOCK NO.	MFG SPLY CODE	MFG PART NO. OR TYPE	TOT QTY	REC QTY	NOTE
-003	COUNTER OUTPUT OPTION FIGURE 603-4 (892X-4013)	ORDER	-003	OPTION		AR	
C401	CAP, CER, 0.22 UF +/-20%, 50V	309849	71590	CW30C2241K	5		
C402	CAP, CER, 430 PF +/-5%, 500V	177980	72136	DM15F431J	1		
C403	CAP, CER, 0.22 UF +/-20%, 50V	309849	71590	CW30C2241K		REF	
C404	CAP, CER, 0.22 UF +/-20%, 50V	309849	71590	CW30C2241K		REF	
C405	CAP, INSTALLED AT TEST LEVEL IF REQUIRED					AR	
C406	CAP, TA, 47 UF +/-20%, 20V	348516	56289	196D476X0020TE4	1		
C407	CAP, CER, 0.005 UF +/-20%, 100V	175232	56289	CO23B101E502M	1		
C408	CAP, CER, 0.22 UF +/-20%, 50V	309849	71590	CW30C2241K		REF	
C409	CAP, CER, 0.01 UF +/-20%, 100V	149153	56289	CO23B101F103M	1		
C410	CAP, CER, 0.22 UF +/-20%, 50V	309849	71590	CW30C2241K		REF	
C411	CAP, TA, 220 UF +/-20%, 10V	474288	56289	196D227X0010TE4	2		
C412	CAP, TA, 220 UF +/-20%, 10V	474288	56289	196D227X0010TE4		REF	
C413	CAP, CER, 4.7 UF +/-20%, 50V	363721	56289	196D475X0050PE4	2		
C414	CAP, CER, 4.7 UF +/-20%, 50V	363721	56289	196D475X0050PE4		REF	
C415	CAP, CER, 300 PF 3 KV	485250	56289	CO28B02E301M	1		
C416	CAP, INSTALLED AT TEST LEVEL IF REQUIRED					AR	
CR401	DIODE, SI, HI-SPEED, SWITCH	203323	07910	1N4448	7		2
CR402	DIODE, SI, HI-SPEED, SWITCH	203323	07940	1N4448		REF	
CR403	DIODE, SI, HI-SPEED, SWITCH	203323	07910	1N4448		REF	
CR404	DIODE, SI, HI-SPEED, SWITCH	203323	07910	1N4448		REF	
CR405	DIODE, SI, HI-SPEED, SWITCH	203323	07910	1N4448		REF	
CR406	DIODE, SI, HI-SPEED, SWITCH	203323	07910	1N4448		REF	
CR407	DIODE, SI, HI-SPEED, SWITCH	203323	07910	1N4448		REF	
H1	SCREW, FHP, 4-40 X 1/4, SS (NOT SHOWN)	256156	73734	23022	8		1
J402	CONNECTOR, BNC, FEMALE	152033	95712	30355-1	1		
L401	CHOKE, 6-TURN	320911	89536	320911	3		
L402	CHOKE, 6-TURN	320911	89536	320911		REF	
L403	CHOKE, 6-TURN	320911	89536	320911		REF	
L404	INDUCTOR SHEILDED, 0.27 UH	313031	24859	MR-0.27	1		
MP1	SHIELD	475491	89536	475491	1		
MP2	SHIELD	475483	89536	475483	1		
MP3	SHIELD	475376	89536	475376	1		
MP4	COVER	475509	89536	475509	1		
MP5	COVER	475400	89536	475400	1		
MP6	BRACKET	456723	89536	456723	1		
MP7	SHIELD	475384	89536	475384	1		
P106	POST, CONTACT	474809	22526	65505-136	3		
P401	CABLE ASSEMBLY (-003 OPTION)	486670	89536	486670	1		
Q401	XSTR, DUAL FET	454637	89536	454637	1		1
Q402	XSTR, SI, NPN	272237	89536	272237	2		1
Q403	XSTR, SI, NPN	272237	89536	272237		REF	
R402	RES, MTL. FILM, 1K +/-1%, 1/8W	168229	91637	CMF551001F	2		
R403	RES, MTL. FILM, 1K +/-1%, 1/8W	168229	91637	CMF551001F		REF	
R404	RES, VAR, 100K +/-10%, 1/2W	369520	89536	369520	1		
R405	RES, COMP, 20K +/-5%, 1/4W	221624	01121	CB2035	1		
R406	RES, COMP, 9.1K +/-5%, 1/4W	193318	01121	CB9125	1		
R407	RES, COMP, 51, +/-55%, 1/4W	221879	01121	CB5105	2		
R408	RES, COMP, 1.2K +/-5%, 1/4W	190371	01121	CB1225	1		

Table 603-5. Counter Output Option PCB Assembly (cont)

REF DES	DESCRIPTION	FLUKE STOCK NO.	MFG SPLY CODE	MFG PART NO. OR TYPE	TOT QTY	REC QTY	NOTE
R409	RES, COMP, 15K +/-5%, 1/4W	148114	01121	CB1535	1		
R410	RES, COMP, 220 +/-5%, 1/4W	147959	01121	CB2215	1		
R411	RES, COMP, 47 +/-5%, 1/4W	147892	01121	CB4705	1		
R412	RES, COMP, 680 +/-5%, 1/4W	148007	01121	CB6815	2		
R413	RES, COMP, 470 +/-5%, 1/4W	147983	01121	CB4715	1		
R414	RES, COMP, 5.1K +/-5%, 1/4W	193342	01121	CB5125	1		
R415	RES, COMP, 1K +/-5%, 1/4W	148023	01121	CB1025	1		
R416	RES, COMP, 680 +/-5%, 1/4W	148007	01121	CB6815	REF		
R417	RES, COMP, 51 +/-5%, 1/4W	221879	01121	CB5105	REF		
T401	TRANSFORMER	461863	89536	461864	1		
T402	TRANSFORMER	472798	89536	472498	1		
U401	IC, LIN, HI-SPEED ANALOG VOL COMPARATOR	386920	12040	LM361N	2	1	
U402	IC, LIN, HI-SPEED ANALOG VOL COMPARATOR	386920	12040	LM361N	REF		

1 Refer to Figure 603-1

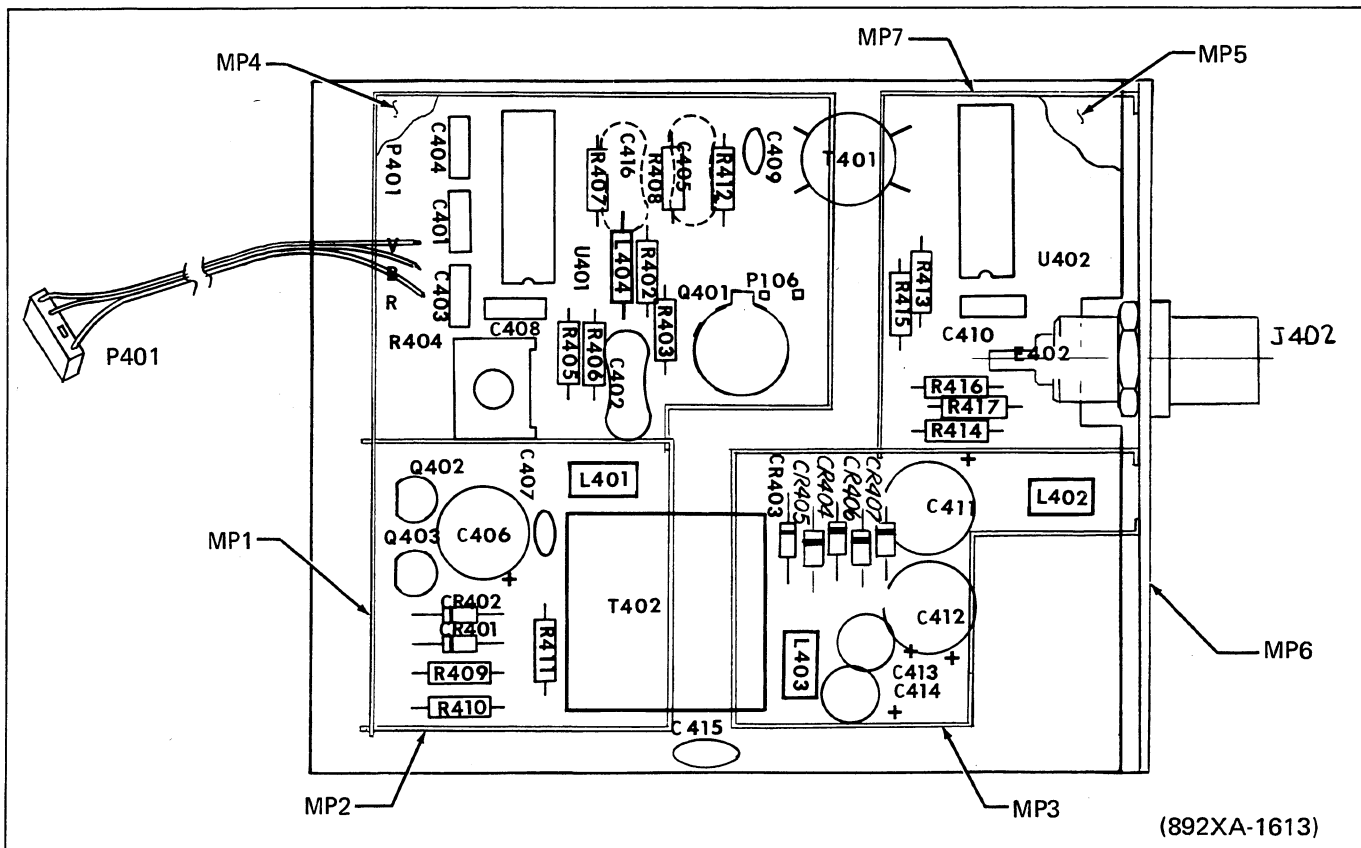


Figure 603-6. Counter Output Option PCB Assembly

## -004 Option Logarithmic Analog Output

### 604-1. INTRODUCTION

604-2. The Logarithmic Analog Output Option provides a non-isolated output voltage which varies continuously as the logarithm of the rms input. Scaling is: 0V dc output corresponds to 0 dB which is 200  $\mu$ V rms input to the 8922A while 13.1V dc output = 131 dB = 700V rms input. A continuous frequency response of circuits with a wide dynamic output is easily plotted on an XY recorder using this option. The option's output is non-isolated.

### 604-3. SPECIFICATIONS

604-4. Specifications for the Logarithmic Analog Output Option are given in Section 1 of this manual.

### 604-5. INSTALLATION

604-6. Install the option as follows, referring to Figure 604-1.

1. Remove the top cover (see Access Procedures).
2. Remove the plate located at the top of the 8922A's rear panel.
3. Install the banana jack plate with the red banana jack to the right (when viewing the 8922A from the rear).
4. Secure the Logarithmic Analog Output Assembly to the top of the transformer bracket (see Figure 604-1) using the two screws provided.
5. Plug P501 into J501 (located on the Main PCB Assembly).

6. Solder the Logarithmic Analog Output Assembly's red output lead to the red banana jack, and the black lead to the black banana jack.

7. Verify operation using the calibration procedure presented in Section 4 of this manual.

### 604-5. OPERATION

604-6. Once installed, the Logarithmic Analog Output Option requires no operator attention other than ensuring that no voltage is ever applied to the option's output banana jacks.

### 604-7. THEORY OF OPERATION

604-8. The Logarithmic Analog Output Option, illustrated in Figure 604-2, utilizes the logarithmic characteristics of a P-N junction to develop an output proportional to the logarithm of the dc input from the thermal sensor.

604-9. The dc output voltage of the thermal sensor develops a collector current in one-half of a dual transistor. The resulting emitter base voltage is compared to the reference  $V_{be}$  of the second half and scaled up accordingly. This voltage in turn develops a current which is summed with range information to produce the logarithmic output.

604-10. The output of the sensor covers one decade (.1 to 1V) in any one range. Scaling is such that one decade corresponds to 2V or 20 dB (.1V = 1 dB) at the output. "0" dB corresponds to 200  $\mu$ V and each range increase produces an additional 2V at the output. Transients during range changes are eliminated by a sample and hold circuit.

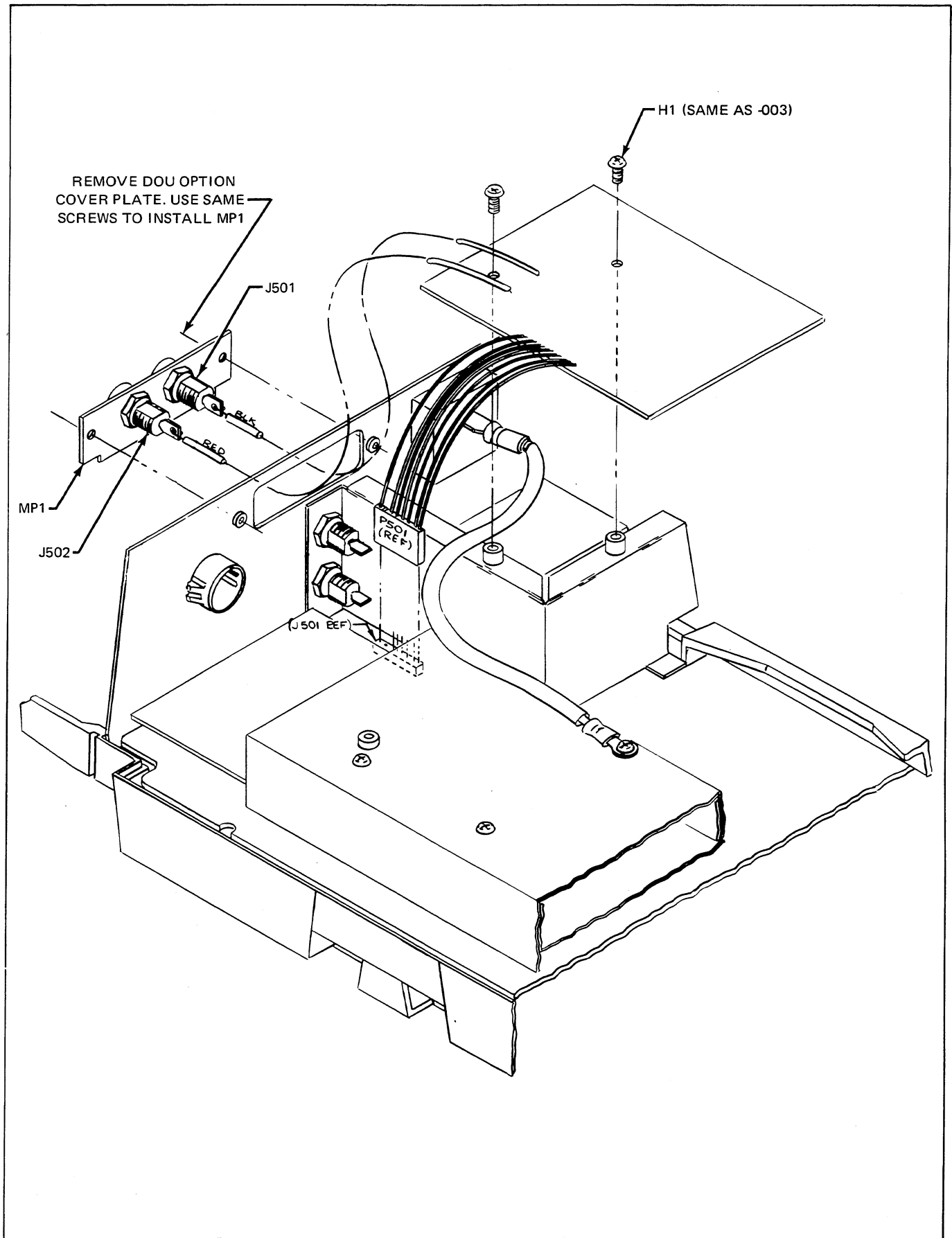


Figure 604-1. Logarithmic Analog Output Option Installation

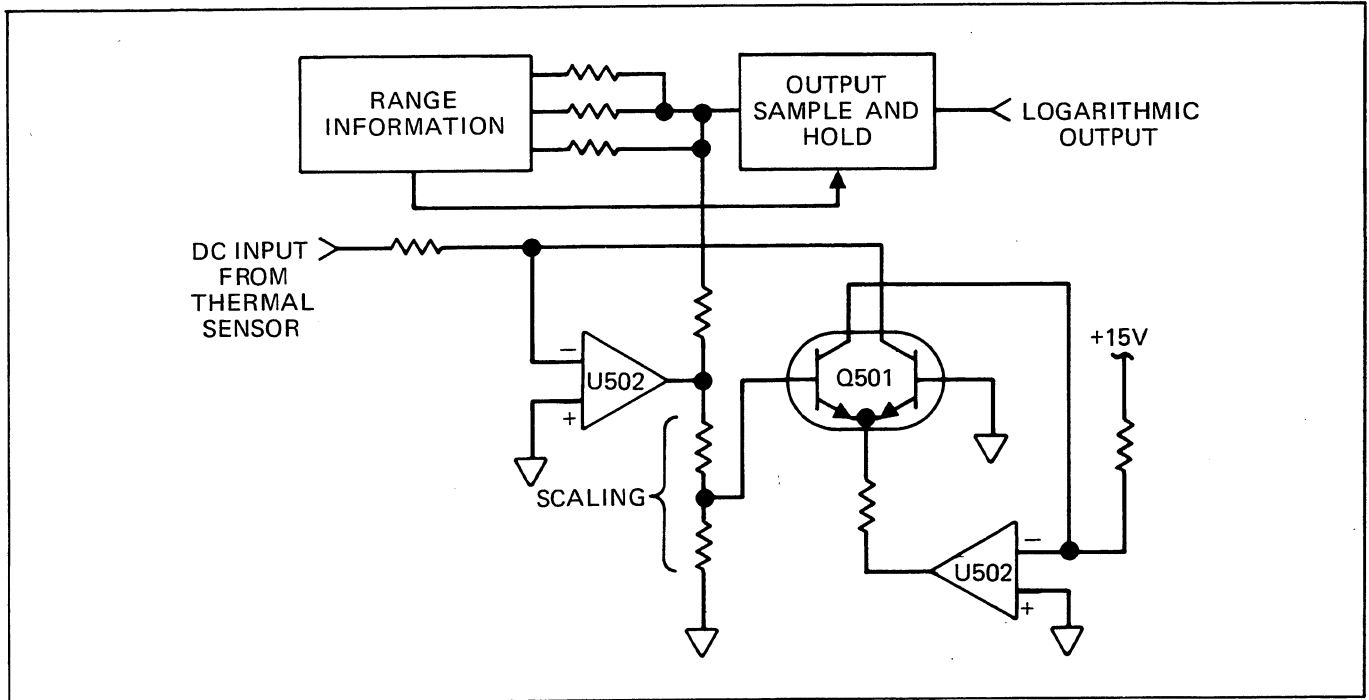


Figure 604-2. Logarithmic Analog Output Option Simplified Schematic

**604-11. MAINTENANCE**

604-12. The following maintenance information covers three areas; performance testing, calibration and troubleshooting of the -004 Logarithmic Analog Output Option. However, before any of these procedures can be started, the calibration of the mainframe instrument must be successfully completed. The table of recommended test equipment in Section 4 lists all of the equipment necessary to calibrate the mainframe instrument. No additional equipment is required to check, calibrate, and troubleshoot the -004 Option.

**NOTE**

*For the following procedures, the 8922A will be referred to as the UUT (Unit Under Test).*

3. Select the DC Volts function and 2 volt range on the DVM; connect it to the LOGARITHMIC ANALOG OUTPUT jacks on the rear panel of the UUT.
4. Adjust the vernier control on the AC source of a voltage reading on the DVM of  $1.400 \pm 0.002V$  dc.
5. Press the UUT dB/VOLTS switch to the dB position then the REL/dBm switch to the REL position. The UUT display will be  $\pm 0.00$  dB.
6. Select the 20 volt range on the DVM.
7. Use the decade switch on the ac source to increase the 8922A input to the levels indicated in Table 604-1. Note the DVM and 8922A display to be within the tolerances given.

**604-13. PERFORMANCE TEST**

604-14. The following procedure will verify that the Logarithmic Analog Output Option is operating within the specification limits stated in Section 1.

1. Select the AC function, LO RANGE ENABLE, and AUTO range on the UUT.
2. Apply 1.0 mV, 500 Hz to the UUT INPUT connector.

Table 604-1. Performance Test

8922A INPUT	8922A DISPLAY	DVM DISPLAY*
10 mV, 500 Hz	20.00 $\pm$ 0.25 dB	3.4 $\pm$ 0.24V
100 mV, 500 Hz	40.00 $\pm$ 0.25 dB	5.4 $\pm$ 0.24V
1V, 500 Hz	60.00 $\pm$ 0.25 dB	7.4 $\pm$ 0.24V
10V, 500 Hz	80.00 $\pm$ 0.25 dB	9.4 $\pm$ 0.24V
100V, 500 Hz	100.00 $\pm$ 0.25 dB	11.4 $\pm$ 0.24V

\* The tolerance limit represents total system inaccuracies.

## 604-15. CALIBRATION

604-16. The Logarithmic Analog Option should be calibrated when it is first installed or if the limits as stated in the performance test cannot be met. Use the following procedure to calibrate the Logarithmic Analog Option. If it is not possible to obtain the limits as stated in the following procedure then the option will require troubleshooting. If, however, the limits are met then we recommend that the performance test be completed as a check.

1. Remove the 8922A's top cover, and set up the test equipment as shown in Figure 604-3.
2. Set the 8922A at AC, AUTO. Now apply 1.0 mV ac, 500 Hz. Observe the option's output to be approximately  $1.4 \pm 0.2V$  dc. (TP504 is Ground, TP503 is the option's output.)
3. Apply 20.0 mV, 500 Hz to the UUT and select its HOLD RANGE. Monitor the voltage TP502 and adjust R501 for a  $0 \pm 0.0005V$  dc on the DVM.
4. Monitor TP501 and note the magnitude and polarity of the offset from 0V to the nearest 0.01V.
5. While still monitoring TP501 adjust R512 for a reading of  $-10V + \text{OFFSET}$  of step 3  $\pm 0.01V$ .

Example:

Initial Offset	Final Reading
-.03V	$-10 - .03 = 10.03 \pm 0.01V$
+.14V	$-10 + .14 = -9.86 \pm 0.01V$

6. Monitor TP503 and note the offset from +6.00V to the nearest 0.01V.

7. Decrease the input to 100 mV, 500 Hz and observe that the DMM reads  $+5.4V \pm 0.01V$  plus the offset noted in step 5.

8. Decrease the input to 20 mV, 500 Hz and observe that the DMM reads  $+4.00V \pm 0.01V$  plus the offset noted in step 5.

## 604-17. TROUBLESHOOTING

604-18. To troubleshoot the -004 Option read the theory of operation for this option and then check the actual voltage levels against those indicated on the -004 schematic, located in Section 8. If there are any discrepancies, simply replace the defective component and repeat the performance test and calibration procedure.

## 604-19. LIST OF REPLACEABLE PARTS

604-20. A list of replaceable parts for the Logarithmic Analog Output Option is given in Table 604-2 and shown in Figure 604-4. Refer to Section 5 of this manual for ordering information.

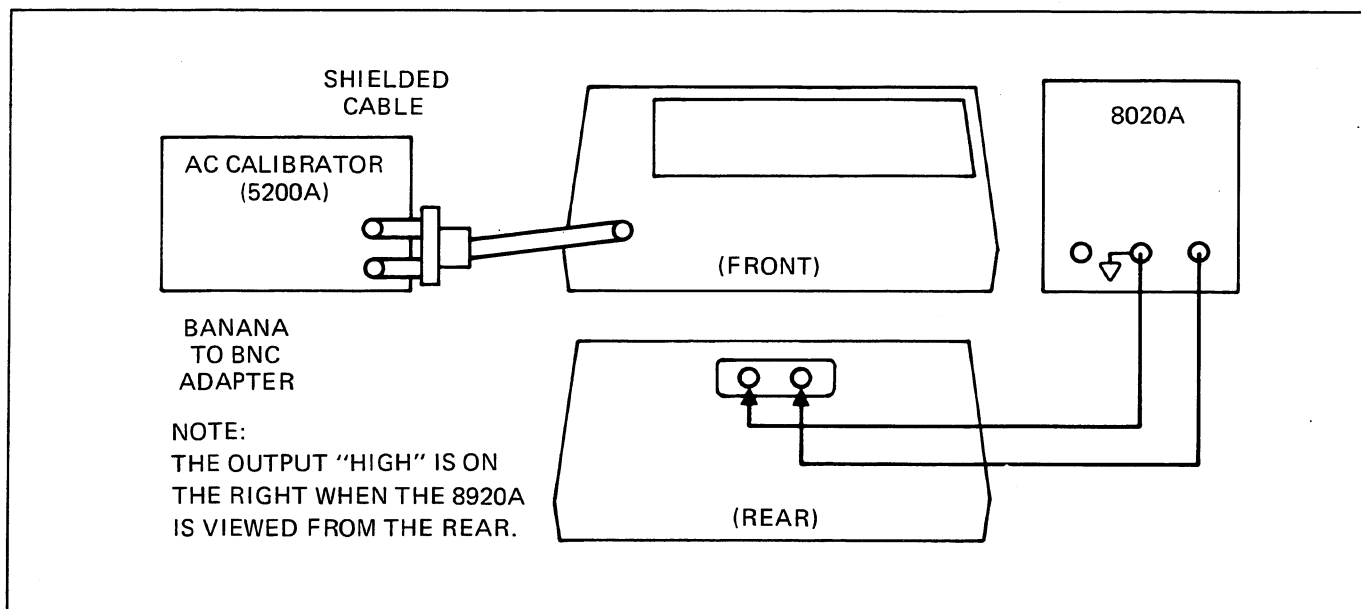
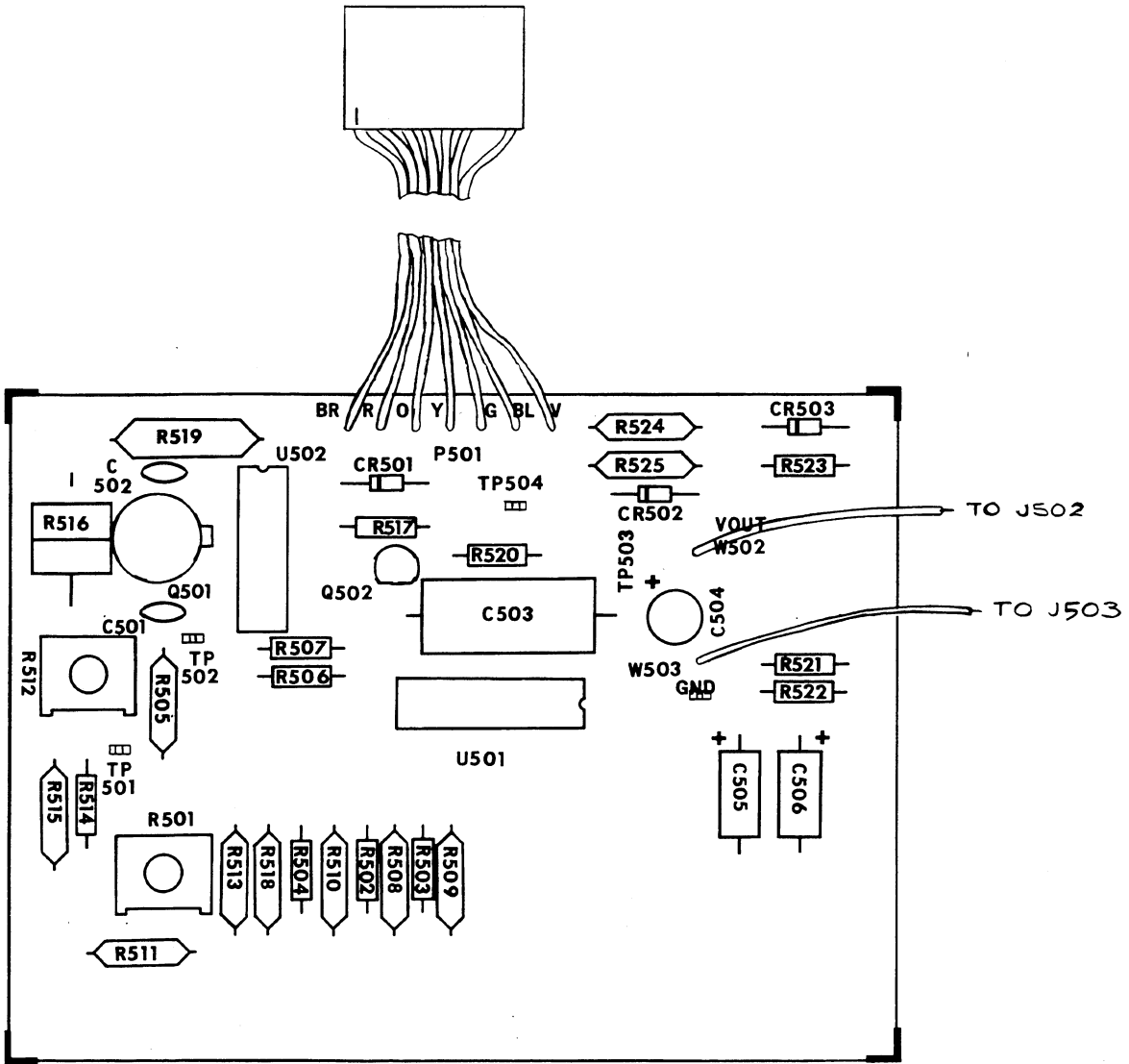


Figure 604-3. Logarithmic Analog Output Option Test Set-Up

Table 604-2. Logarithmic Analog Output Option PCB Assembly

REF DES	DESCRIPTION	FLUKE STOCK NO.	MFG SPLY CODE	MFG PART NO. OR TYPE	TOT QTY	REC QTY	NOTE
-004	LOGARITHMIC ANALOG OUTPUT OPTION FIGURE 606-4 (8920A-4014)	ORDER	-004	OPTION		AR	
C501	CAP, CER, 1000 PF +/-10%, 500V	357806	56289	C016B102G102K	1		
C502	CAP, CER, 100 PF +/-10%, 1000V	105593	71590	DD-101	1		
C503	CAP, MYLAR, 2.0 UF +/-20%, 100V	334185	14752	230B1B105	1		
C504	CAP, TA, 22 UF +/-20%, 15V	423012	56289	196D226X00154A1	1		
C505	CAP, ELECT, TA, 2.2 UF +/-10%, 20V	160226	56289	150D225X9020A	2		1
C506	CAP, ELECT, TA, 2.2 UF +/-10%, 20V	160226	56289	150D225X9020A	REF		
CR501	DIODE, HI-SPEED, SWITCH	203323	07910	1N4448	3		1
CR502	DIODE, HI-SPEED, SWITCH	203323	07910	1N4448	REF		
CR503	DIODE, HI-SPEED, SWITCH	203323	07910	1N4448	REF		
J501	BANANA JACK, BLACK	162073	74970	108-0903-001	1		
J502	BANANA JACK, RED	162065	74970	108-0902-001	1		
MP1	COVER PLATE, LOG ANALOG OPTION	456772	89536	456772	1		
P501	CABLE, LOGARITHMIC ANALOG OUTPUT	486688	89536	486688	1		
Q501	XSTR, DUAL, SI, NPN	295717	24355	AD811-00/17	1		1
Q502	XSTR, FET, JNCT, N-CHANNEL	376475	89536	376475	1		1
R501	RES, VAR, 100K +/-10%, 1/2W	369520	89536	369520	1		1
R502	RES, COMP, 1M +/-5%, 1/4W	182204	01121	CB1055	7		
R503	RES, COMP, 1M +/-5%, 1/4W	182204	01121	CB1055	REF		
R504	RES, COMP, 1M +/-5%, 1/4W	182204	01121	CB1055	REF		
R505	RES, MTL. FILM, 10K +/-1%, 1/8W	168260	91637	CMF551002F	1		
R506	RES, COMP, 15M +/-5%, 1/4W	381491	01121	CB1565	1		
R507	RES, COMP, 10K +/-5%, 1/4W	148106	01121	CB1035	1		
R508	RES, MTL. FILM, 37.5K +%, 1/8W	442947	91637	CMF553752B	1		
R509	RES, MF, 75K +/-0.1%, 1/8W	370916	91637	CMF557502B	1		
R510	RES, MTL. FILM, 150K +/-0.25%, 1/8W	442707	91637	CMF551503C	2		
R511	RES, MTL. FILM, 100K +/-0.1%, 1/8W	370775	91637	CMF551003B	1		
R512	RES, VAR, 20K +/-10%, 1/2W	335760	89536	335760	1		1
R513	RES, MTL. FILM, 150K +/-0.25%, 1/8W	442707	91637	CMF551503C	REF		
R514	RES, COMP, 45%, 1/4W	148163	01121	CB4735	1		
R515	RES, MTL. FILM, 158K +/-1%, 1/8W	237214	91637	CMF551583F	1		
R516	RES, WW, 994 +/-2%, 1/2W	477018	89536	477018	1		1
R517	RES, COMP, 1M +/-5%, 1/4W	182204	01121	CB1055	REF		
R518	RES, MTL. FILM, 20K +/-0.1%, 1/8W	446443	91637	CMF552002B	1		
R519	RES, MTL. FILM, 1.5M +/-1%, 1/2W	284976	91637	CMF651504F	1		
R520	RES, COMP, 1K +/-5%, 1/4W	148023	01121	CB1025	1		
R521	RES, COMP, 1M +/-5%, 1/4W	182204	01121	CB1055	REF		
R522	RES, COMP, 1M +/-5%, 1/4W	182204	01121	CB1055	REF		
R523	RES, COMP, 1M +/-5%, 1/4W	182204	01121	CB1055	REF		
R524	RES, MTL. FILM, 100K +/-5%, 1/8W	248807	91637	CMF551003F	1		
R525	RES, MTL. FILM, 143K +/-1%, 1/8W	291336	91637	CMF551433F	1		
TP501	CONNECTOR POST	379438	00779	1-87022-0	4		
TP502	CONNECTOR POST	379438	00779	1-87022-0	REF		
TP503	CONNECTOR POST	379438	00779	1-87022-0	REF		
TP504	CONNECTOR POST	379438	00779	1-87022-0	REF		
U501	IC, C-MOS, HEX BUFFER/INVERTER	381848	02735	CD4049UBE	1		1
U502	IC, LINEAR, OP AMP	402669	02735	CA324E	1		1
W502	WIRE ASSEMBLY	488163	89536	488163	1		



(8920A-1614)

Figure 604-4. Logarithmic Analog Output Option PCB Assembly



## -521 Option DMM Digital Interface

### 6521-1. INTRODUCTION

6521-2. The DMM Digital Interface provides optically isolated DMM data to a compatible external unit -- such as the DMM-1120A Interface PCB. (Note: The DMM Digital Interface connected to the DMM-1120A Interface PCB mounted in an 1120A Translator is the -529 Option.) Compatibility requirements for the external unit are presented below. All additional information -- such as theory of operation, installation, operation, etc. -- is presented in supplemental documentation. If you order the DMM Digital Interface, either as an installed option or as a field installable kit, a copy of this manual will be provided. Order the 892XA-521K when ordering this option at the same time you order your 8922A. Order the 892XA-521 if you want a field installable kit.

### 6521-3. THE EXTERNAL UNIT

6521-4. The compatibility requirements for the external unit are listed below. Pin assignment on the interface cable is shown in Figure 6521-1. The cable connector type is a male 36-pin AMP "Blue Ribbon Type" series.

1. The external unit must provide:
  - a. Operating Power: GND and +5V dc at 10 mA.

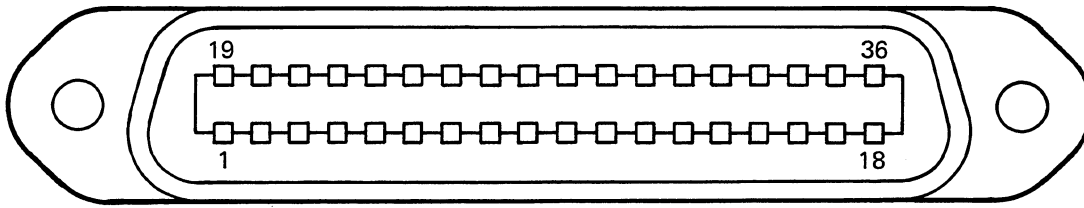
- b. DMM address: When reading DMM data the proper DMM address must be sent continuously on the A0 through A3 address lines. Resistive termination is 100 k $\Omega$  tied to +5V only. Logic high is 3.5 to 5.0V. Logic level low is 0 to 1.5V. Negative true logic.

2. The external unit must be able to accept:

- a. Not Address Valid (AV): Signal line goes from logic high (3.5 to 5V) to a logic level low (0 to 1.0V) to indicate that the DMM has received the correct DMM address.

- b. DMM data: BCD DMM data presented nibble serial -- 4-bit parallel -- on the W, X, Y, Z lines in the same sequence that data is presented to the DMM display. The format of this data is presented in Table 6521-1. The external unit must be capable of using the DMM data in this format. Logic high level is 4.6 to 5V at -0.14 mA. Logic level low is 0 to 0.7V at +0.36 mA.

- c. Not Data Valid (DV): The external unit must accept data only when DV goes to a logic level low (0 to 1.0V) from a logic level high (3.5 to 5V). If the DMM is not autoranging and if the data is valid and new, then DV will go low in the middle of each data nibble to indicate to the external unit that this nibble is valid and settled.



PIN NO.	MNEMONIC	SOURCE		DESCRIPTION
		DMM	EXT UNIT	
1	$\overline{AV}$	X		Not Address Valid - Low indicates DMM is responding to a valid address.
2	$\overline{DV}$	X		Not Data Valid - Low indicates that DMM data on the W, X, Y, Z lines is valid, new and settled.
3	A0		X	LSB
4	A1		X	DMM ADDRESS
5	A2		X	
6	A3		X	MSB
7 & 8		NOT USED		
9	Z	X		LSB
10	Y	X		
11	X	X		BCD DMM data transmitted nibble serial.
12	W	X		MSB
13-16		NOT USED		
17	GND		X	Operating voltages for the interface side of the DMM Digital Interface PCB circuitry.
18	+5V		X	
19-36		NOT USED		

Figure 6521-1. Interface Cable Pin Assignment

Table 6521-1. DMM Data Format on the DMM Digital Interface

dB Reference Table			Range Table	
J	0	1	abc	RANGE
LMN	IMPEDANCE			
000	REL	REL	000	2 mV
001	72	52	001	20 mV
010	150	50	010	200 mV
011	300	75	011	2V
100	600	93	100	20V
101	900	110	101	200V
110	1000	124	110	700V
111	1200	135	111	Not Used

Table 6521-1. DMM Data Format on the DMM Digital Interface (cont)

SEQUENCE NO.	W	X	Y	Z	MEANING
1	J	L	M	N	dB Reference/Status
2	K	a	b	c	Range/Status
3	0	dB	OL	UL	Status
4	B	B	B	B	LSD
5	B	B	B	B	4SD
6	B	B	B	B	3SD
7	B	B	B	B	2SD
8	$\overline{P}$	1	0	Z1	Polarity/MSD

0	Binary bit:	Logic 0, low
1	Binary bit:	Logic 1, high
B	Binary data bit:	0 or 1
abc	Binary range code:	See inset Range Table
dB	If dB = 1:	DMM reading is in dB
	If dB = 0:	DMM reading is in volts
$\overline{DV}$	Not Data Valid:	Low indicates valid data on WXYZ
J LMN	If dB = 0:	J indicates the number of display digits
		J = 0 is 3½ digits
		J = 1 is 4½ digits
	If dB = 1:	J LMN indicate dB reference selected -- see inset 892XA dB Reference Table
K	If K = 1:	DVM will flash decimal point for underload and flash all digits for inputs greater than 700V
MSD	Most Significant Digit	
LSD	Least Dignificant Digit (2SD follows MSD in sequence)	
OL	If OL = 1:	Overload: DMM input has exceeded DMM capacity for that range
UL	If UL = 1:	Underload: DMM input is below optimum for that range -- reading may not be accurate
P	Polarity bit	
Z1	Z1 = 1:	Most Significant Digit is 1
	Z1 = 0:	Most Significant Digit is 0



## -519 Option DMM-IEEE-488 Interface

### 6529-1. INTRODUCTION

6529-2. The DMM-IEEE-488 Interface Translates between the 8922A and the General Purpose Interface Bus (GPIB) as defined by the IEEE 488-1978. The interface is composed of one DMM-1120A Interface PCB – mounted in and 1120A Translator – and one or more DMM Digital Interface(s) (-521K Option). The

interface implements the following IEEE functions: SH1, AH1, T3, TE3. All additional information is contained in supplemental literature. If you order the DMM-IEEE-488 Interface either as an installed option or as a field installable kit, a copy of this manual will be provided. Order the 892XA-529 when ordering this option at the same time you order your 8922A. Order 892X-A529 if you already have an 8922A and want a field installable kit.



## **Section 7**

# **General Information**

7-1. This section of the manual contains generalized user information as well as supplemental information to the List of Replaceable Parts contained in Section 5.

## Federal Supply Codes for Manufacturers

D9816 Westermann Wilhelm Augusta-Anlage Mannheim-Nackarau Germany	01101 Wabash Inc (Formerly Wabash Magnetics) Wabash, IN	02697 Parker-Hannifin Corp. O-Ring Div Lexington, KY	04423 Telonic Berkley Inc. Laguna Beach, CA
S0482 Sony Corp. Tokyo, Japan	01121 Allen Bradley Co. Milwaukee, WI	02735 RCA-Solid State Div. Somerville, NJ	04713 Motorola Inc. Semiconductor Group Phoenix, AZ
S3774 Oshino Electric Lamp Works Tokoyo, Japan	01281 TRW Electronics & Defense Sector R F Devices Lawndale, CA	02768 ITW (IL Tool Works) Fastex Division Des Plaines, IL	04946 Standard Wire and Cable Rancho Dominguez, CA
0AD86 IN General El Paso, TX	01295 TX Instruments Inc. Semiconductor Group Dallas, TX	02799 Arco Electronics Inc. Chatsworth, CA	05173 General Radio NY,NY. Replaced by:
0AE89 Autosplice Inc. Woodside, NY	01526 Genicom Waynesboro, VA	03296 Nylon Molding Corp. Monrovia, CA	24655 Genrad,INC. Concord, MA
0BW21 Noritake Co. Inc. Burlington, MA	01537 Motorola Communications & Electronics Inc. Franklin Park, IL	03445 Lecron Electronics Inc Burbank, CA	05236 Jonathan Mfg. Co. Fullerton, CA
0ANF0 Topaz Semiconductor Inc San Jose, CA	01686 RCL Electronics/Shalleross Inc. Electro Components Div. Manchester, NH	03508 General Electric Co. Semiconductor Products & Batteries Auburn, NY	05245 Corcom Inc. Libertyville, IL
0DSM7 Conductive (Pkg) Containers Inc. Brookfield, WI	01884 Sprague Electric Co. (Now 56289)	03797 Genisco Technology Corp. Eltronics Div. Rancho Dominguez, CA	05276 ITT Pomona Electronics Div. Pomona, CA
0CLN7 Emhart Fastening Group Shelton, CT	01961 Varian Associates Inc. Pulse Engineering Div. Convoy, CT	03877 Gilbert Engineering Co.Inc Incon Sub of Transitron Electronic Corp. Glendale, AZ	05277 Westinghouse Elec. Corp. Semiconductor Div. Youngwood, PA
0FB81 S-Mos Systems Inc. San Jose, CA	01963 Cherry Electrical Products Corp Waukegan, IL	03888 KDI Electronics Inc. Pyrofilm Div. Whippany, NJ	05347 Ultronix Inc Grand Junction, CO
0FFP1 Eveready LTD Ever Ready Special Battery Div. Dawley Telford Salop UK	02111 Spectrol Electronics Corp. City of Industry, CA	03911 Clairex Corp. Clairex Electronics Div. Mount Vernon, NY	05397 Union Carbide Corp. Materials Systems Div. Cleveland, OH
00199 Marcon Electronics Corp Keamy, NJ	02114 Amperex Electronic Corp. Ferrox Cube Div. Saugerties, NY	03980 Muirhead Inc. Mountainside, NJ	05571 Sprague Electric Co. (Now 56289)
00213 Nytronics Comp. Group Inc. Darrington, NC	02131 General Instrument Corp. Government Systems Div. Westwood, MA	04009 Cooper Industries, Inc. Arrow Hart Div. Hartford, CT	05574 Viking Connectors Inc Sub of Criton Corp. Chatsworth, CA
00327 Welwyn International Inc. Westlake, OH	02395 Sonar Radio Corp. Hollywood, FL	04217 Essex International Inc. Wire & Cable Div. Anaheim, CA	05791 LYN-TRON Burbank, CA
00656 Aerovox Corp. New Bedford, MA	02533 Leigh Instruments Ltd. Frequency Control Div. Don Mills, Ontario, Canada	04221 Midland-Ross Corp. Midtex Div. N. Mankato, MN	05820 EG & G Wakefield Engineering Wakefield, MA
00686 Film Capacitors Inc. Passaic, NJ	02606 Fenwal Labs Division of Travcnal Labs Morton Grove, IL	04222 AVX Corp. AVX Ceramics Div. Myrtle Beach, SC	05839 Advance Electrical Chicago, IL
00779 AMP, Inc. Harrisburg, Pennsylvania	02660 Bunker Ramo-Eltra Corp. Amphenol NA Div. Broadview, IL		05972 Loctite Corp. Newington, CT



## Federal Supply Codes for Manufacturers (cont)

06001 General Electric Co. Electric Capacitor Product Section Columbia, SC	07047 Ross Milton Co., The Southampton, PA	08111 MF Electronics New Rochelle, NY	1B715 (United Shoe & Nylock Corp) -Nylock Fastener Corp.- Paramus, NJ
06141 Fairchild Weston Systems Inc. Data Systems Div. Sarasota, FL	07138 Westinghouse Electric Corp. Industrial & Government Tube Div. Horseheads, NY	08235 Industro Transistor Corp. Long Island City, NY	10059 Barker Engineering Corp. Kenilworth, NJ
06192 La Deau Mfg. Co. Glendale, CA	07233 Benchmark Technology Inc. City of Industry, CA	08261 Spectra-Strip An Eltra Co. Garden Grove, CA	10389 IL Tool Works Inc. Licon Div. Chicago, IL
06229 Electrovert Inc. Elmsford, NY	07239 Biddle Instruments Blue Bell, PA	08445 Electri-Cord Mfg., Inc Westfield, PA	11236 CTS Corp. Resistor Products Div. Beme, IN
06383 Panduit Corp. Tinley Park, IL	07256 Silicon Transistor Corp. Sub of BBF Inc. Chelmsford, MA	08530 Reliance Mica Corp. Brooklyn, NY	11237 CTS Corp of CA Electro Mechanical Div. Paso Robles, CA
06473 Bunker Ramo Corp. Amphenol NA Div. SAMS Operation Chatsworth, CA	07261 Avnet Corp. Culver City, CA	08718 ITT Cannon Electric Phoenix Div. Phoenix, AZ	11295 ECM Motor Co. Schaumburg, IL
06540 Mite Corp Amatom-Electrical Div	07263 Fairchild Semiconductor North American Sales Ridgeview, CT	08806 General Electric Co. Minature Lamp Products Cleveland, OH	11358 Columbia Broadcasting System CBS Electronic Div. Newburyport, MA
06555 Beede Electrical Instrument Penacook, NH	07344 Bircher Co. Inc., The Rochester, NY	08863 Nylomatic Fallsington, PA	11403 Vacuum Can Co. Best Coffee Maker Div. Chicago, IL
06665 Precision Monolithics Sub of Boums Inc. Santa Clara, CA	07374 Optron Corp Woodbridge, CT	08988 Skottie Electronics Inc. Archbald, PA	11502 (can also use 35009) TRW Inc. TRW Resistive Products Div. Boone, NC
06666 General Devices Co. Inc. INpolis, IN	07557 Campion Co. Inc. Philadelphia, PA	09021 Aircro Inc. Aircro Electronics Bradford, PA	11503 Keystone Columbia Inc. Freemont, IN
06739 Electron Corp. Littleton, CO	07597 Bundy Corp. Tape/Cable Div. Rochester, NY	09023 Cornell-Dublier Electronics Fuquay-Varina, NC	11532 Teledyne Relays Teledyne Industries Inc. Hawthorne, CA
06743 Gould Inc. Foil Div. Eastlake, OH	07716 TRW Inc. (Can use 11502) IRC Fixed Resistors/ Burlington Burlington, VT	09214 General Electric Co. Semiconductor Products Dept. Auburn, NY	11711 General Instrument Corp. Rectifier Div. Hicksville, NY
06751 Components Inc. Sencor Div. Phoenix, AZ	07792 Lenna Engineering Corp. Northampton, MA	09353 C and K Components Inc. Newton, MA	11726 Qualidyne Corp. Santa Clara, CA
06776 Robinson Nugent Inc. New Albany, IN	07810 Bock Corp. Madison, WI	09423 Scientific Components Inc. Santa Barbara, CA	12014 Chicago Rivet & Machine Co. Naperville, IL
06915 Richco Plastic Co. Chicago, IL	07910 Teledyne Semiconductor Mtn. View, CA	09922 Bundy Corp. Norwalk, CT	12020 Ovenaire Div. of Electronic Technologies Charlottesville, VA
06961 Vernitron Corp. Piezo Electric Div. Bedford, OH	07933 Raytheon Co. Semiconductor Div. Mountain View, CA	09969 Dale Electronics Inc. Yankton, SD	12038 Simco (Div of Ransburg Corp) Hatfield, PA
06980 EIMAC (See Varian) San Carlos, CA	08FG6 Calmos Systems Inc. Kanata, Ont. Canada	09975 Burrroughs Corp. Electronics Components Detroit, MI	12040 National Semiconductor Corp. Danbury, CT
	080A9 Dallas Semiconductor Dallas, TX	1A791 LFE Electronics Danvers, MA	

## Federal Supply Codes for Manufacturers (cont)

12060 Diodes Inc. Northridge, CA	13050 Potter Co. Wesson, MS	14704 Crydom Controls (Division of Int Rectifier) El Segundo, CA	16473 Cambridge Scientific Industries Div. of Chemed Corp. Cambridge, MD
12136 PHC Industries Inc. Formerly Philadelphia Handle Co. Camden, NJ	13103 Thermalloy Co., Inc. Dallas, TX	14752 Electro Cube Inc. San Gabriel, CA	16733 Cablewave Systems Inc. North Haven, CT
12300 AMF Canada Ltd. Potter-Brumfield Guelph, Ontario, Canada	13327 Solitron Devices Inc. Tappan, NY	14936 General Instrument Corp. Discrete Semi Conductor Div. Hicksville, NY	16742 Paramount Plastics Fabricators Inc. Downey, CA
12323 Practical Automation Inc. Shelton, CT	13511 Bunker-Ramo Corp. Amphenol Cadre Div. Los Gatos, CA	14949 Trompeter Electronics Chatsworth, CA	16758 General Motors Corp. Delco Electronics Div. Kokomo, IN
12327 Freeway Corp. Cleveland, OH	13606 Sprague Electric Co. (Use 56289)	15412 Amtron Midlothian, IL	17069 Circuit Structures Lab Burbank, CA
12406 Elpac Electronics Inc. Santa Ana, CA	13689 SPS Technologies Inc. Hatfield, NJ	15542 Scientific Components Corp. Mini-Circuits Laboratory Div. Brooklyn, NY	17117 Electronic Molding Corp. Woonsocket, RI
12443 Budd Co.,The Plastics Products Div. Phoenixville, PA	13764 Micro Plastics Flippin, AZ	15636 Elec-Trol Inc. Saugus, CA	17338 High Pressure Eng. Co. Inc. OK City, OK
12581 Hitachi Metals International Ltd. Hitachi Magna-Lock Div. Big Rapids, MO	13919 Burr-Brown Research Corp. Tucson, AZ	15782 Bausch & Lomb Inc. Graphics & Control Div. Austin, TX	17504 Aluminum Filter Co. Carpinteria, CA
12615 US Terminals Inc. Cincinnati, OH	14099 Semtech Corp. Newbury Park, CA	15801 Fenwal Electronics Inc. Div. of Kidde Inc. Framingham, MA	17545 Atlantic Semiconductors Inc. Asbury Park, NJ
12617 Hamlin Inc. LaKe Mills, WI	14140 McGray-Edison Co. Commercial Development Div. Manchester, NH	15818 Teledyne Inc. Co. Teledyne Semiconductor Div. Mountain View, CA	17745 Angstrohm Precision, Inc. Hagerstown, MD
12673 Wesco Electrical Greenfield, MA	14189 Ortronics, Inc. Orlando, FL	15849 Useco Inc. (Now 88245)	17856 Siliconix Inc. Santa Clara, CA
12697 Clarostat Mfg. Co. Inc. Dover, NH	14193 Cal-R-Inc. Santa Monica, CA	15898 International Business Machines Corp. Essex Junction, VT	18178 E G & Gvactee Inc. St. Louis, MO
12749 James Electronic Inc. Chicago, IL	14301 Anderson Electronics Hollidaysburg, PA	16068 International Diode Div. Harrison, NJ	18235 KRL/Bantry Components Inc. Manchester, NH
12856 MicroMetals Inc. Anaheim, CA	14329 Wells Electronics Inc. South Bend, IN	16162 MMI Southfield, MI	18310 Concord Electronics New York, NY
12881 Metex Corp. Edison, NJ	14482 Watkins-Johnson Co. Palo Alto, CA	16245 Conap Inc. Olean, NY	18324 Signetics Corp. Sacramento, CA
12895 Cleveland Electric Motor Co. Cleveland, OH	14552 Microsemi Corp. (Formerly Micro-Semiconductor) Santa Ana, CA	16258 Space-Lok Inc. Burbank, CA	18377 Parlex Corp. Methuen, MA
12954 Microsemi Corp. Components Group Scottsdale, AZ	14604 Elmwood Sensors, Inc Pawtucket, RI	16352 Codi Corp. Linden, NJ	18520 Sharp Electronics Corp. Paramus, NJ
12969 Unitrode Corp. Lexington, MA	14655 Cornell-Dublier Electronics Div. of Federal Pacific Electric Co. Govt Cont Dept. Newark, NJ	16469 MCL Inc. LaGrange, IL	18542 Wabash Inc. Wabash Relay & Electronics Div. Wabash, IN

## Federal Supply Codes for Manufacturers (cont)

18565 Chomerics Inc. Woburn, MA	2Y384 North American Philips Lighting Corp. Van Wert, OH	23732 Tracor Applied Sciences Inc. Rockville, MD	26402 Lumex Inc. Bayshore, NY
18612 Vishay Intertechnology Inc. Vishay Resistor Products Group Malvern, PA	20584 Enochs Mfg. Inc. INpolis, IN	23880 Stanford Applied Engineering Santa Clara, CA	26629 Frequency Sources Inc. Sources Div. Chelmsford, MA
18632 Norton-Chemplast Santa Monica, CA	20891 Cosar Corp. Dallas, TX	23936 William J. Purdy Co. Pamotor Div. Burlingame, CA	26806 American Zettler Inc. Irvine, CA
18677 Scanbe Mfg. Co. Div. of Zero Corp. El Monte, CA	21317 Electronics Applications Co. El Monte, CA	24347 Penn Engineering Co. S. El Monte, CA	27014 National Semiconductor Corp. Santa Clara, CA
18736 Voltronics Corp. East Hanover, NJ	21604 Buckeye Stamping Co. Columbus, OH	24355 Analog Devices Inc. Norwood, MA	27167 Corning Glass Works Corning Electronics Wilmington, NC
18786 Micro-Power Long Island City, NY	21845 Solitron Devices Inc. Semiconductor Group Rivera Beach, FL	24444 General Semiconductor Industries, Inc. Tempe, AZ	27264 Molex Inc. Lisle, IL
18927 GTE Products Corp. Precision Material Products Business Parts Div. Titusville, PA	21847 Aertech Now TRW Microwave Inc. Sunnyvale, CA	24546 Bradford Electronics Bradford, PA	27440 Industrial Screw Products Los Angeles, CA
19080 Robinson Electronics Inc. San Luis Obispo, CA	21962 Vectron Corp. Replaced by: S.W. Electronics	24618 Transcon Mfg. Now: D.J. Associates Inc.	27494 Staffall, Inc. Providence, RI
19112 Garry Corp. Langhorne, PA	22526 DuPont, El DeNemours & Co. Inc. DuPont Connector Systems Advanced Products Div. New Cumberland, PA	24655 Genrad Inc. (Replaced General Radio 05173) Concord, MA	27745 Associated Spring Barnes Group Inc. Syracuse, NY
19315 Bendix Corp., The Navigation & Control Group Terboro, NJ	22626 Micro Semiconductor (Now 14552)	24759 Lenox-Fugle Electronics Inc. South Plainfield, NJ	27918 Component Parts Corp. Bellmore, NY
19451 Pezine Machine Tool Corp. Kent, WA	22670 GM Nameplate Seattle, WA	24796 AMF Inc. Potter & Brumfield Div. San Juan Capistrano, CA	27956 Relcom (Now 14482)
19482 Delta Electronics Alexandria, VA	22767 ITT Semiconductors Palo Alto, CA	24931 Specialty Connector Co. Greenwood, IN	28175 Alpha Metals Chicago, IL
19613 MN Mining & Mfg. Co. Textool Products Dept. Electronic Product Div. Irving, TX	22784 Palmer Inc. Cleveland, OH	24995 ECS Grants Pass, OR	28198 Positronic Industries Springfield, MO
19647 Caddock Electronics Inc. Riverside, CA	23050 Product Comp. Corp. Mount Vernon, NY	25088 Siemen Corp. Isilen, NJ	28213 MN Mining & Mfg. Co. Consumer Products Div. 3M Center Saint Paul, MN
19701 Mepco/Centralab Inc. A N. American Philips Co. Mineral Wells, TX	23223 CTS Microelectronics Lafayette, NY	25099 Cascade Gasket Kent, WA	28309 Kaiser Minette, AL
2B178 Wire Products Cleveland, OH	23237 I.R.C., Inc. Microcircuits Division Philadelphia, PA	25403 Amperex Electronic Corp. Semiconductor & Micro-Circuit Div. Slatersville, RI	28425 Serv-O-Link Eulless, TX
2K262 Boyd Corporation Portland, OR	23302 S.W. Electronics & Mfg. Corp. Cherry Hill, NJ	25435 Moldtronics, Inc Downers Grove, IL	28478 Deltrol Corporation Deltrol Controls Div. Milwaukee, WI
	23730 Mark Eyelet and Stamping Inc. Wolcott, CT	25706 Dabum Electronic & Cable Corp. Norwood, NJ	28480 Hewlett Packard Co. Corporate HQ Palo Alto, CA

## Federal Supply Codes for Manufacturers (cont)

28484 Emerson Electric Co. Gearmaster Div. McHenry, IL	31433 Kemct Electronics Corp. Simpsonville, NC	33246 Epoxy Technology Inc. Billerica, MA	36701 Van Waters & Rogers Valley Field, Quebec, Canada
28520 Heyco Molded Products Kenilworth, NJ	31448 Army Safeguard Logistics Command Huntsville, AL	33292 Pioneer Sterilized Wiping Cloth Co. Portland, OR	37942 Mallory Capacitor Corp. Sub of Emhart Industries INpolis, IN
28932 Lumax Industrials, Inc Altoona, PA	31471 Gould Inc Semiconductor Div Santa Clara, CA	33297 NEC Electronics USA Inc. Electronic Arrays Inc. Div. Mountain View, CA	39003 Maxim Industries Middleboro, MA
29083 Monsanto Co. Santa Clara, CA	31522 Metal Masters Inc. Baldwin, MS	33919 Nortek Inc. Cranston, RI	4F434 Plastic Sales Los Angeles, CA
29604 Stackpole Components Co. Raleigh, NC	31746 Cannon Electric Woodbury, TN	34114 Oak Industries Rancho Bernardo, CA	40402 Roderstein Electronics Inc. Statesville, NC
29907 Omega Engineering Inc. Stamford, CT	31827 Budwig Ramona, CA	34263 CTS Electronics Corp. Brownsville, TX	42498 National Radio Melrose, MA
3D536 Aimco Inc. Seattle, WA	31918 ITT-Schadow Eden Prairie, MN	34333 Silicon General Inc. Garden Grove, CA	43543 Nytronics Inc.(Now 53342)
30035 Jolo Industries Inc. Garden Grove, CA	32293 Intersil Cupertino, CA	34335 Advanced Micro Devices (AMD) Sunnyvale, CA	43744 Panasonic Industrial Co. San Antonio, TX
30045 Solid Power Corp. Farmingdale, NY	32539 Mura Corp. Westbury, Long Island, N.Y.	34359 MN Mining & Mfg. Co. Commercial Office Supply Div. Saint Paul, MN	43791 Datron Systems Wilkes Barre, PA
30146 Symbex Corp. Painesville, OH	32559 Bivar Santa Ana, CA	34371 Harris Corp. Harris Semiconductor Products Group Melbourne, FL	44655 Ohmite Mfg. Co. Skokie, IL
30148 AB Enterprise Inc. Ahoskie, NC	32719 Siltronics Santa Ana, CA	34576 Rockwell International Corp. Newport Beach, CA	47001 Lumberg Inc. Richmond, VA
30161 Aavid Engineering Inc. Laconia, NH	32767 Griffith Plastics Corp. Burlingame, CA	34641 Instrument Specialties Euleless, TX	47379 ISOCOM Campbell, CA
30315 Itron Corp. San Diego, CA	32879 Advanced Mechanical Components Northridge, CA	34649 Intel Corp. Santa Clara, CA	49569 IDT (International Development & Trade) Dallas, TX
30323 IL Tool Works Inc. Chicago, IL	32897 Murata Erie North America Inc. Carlisle Operations Carlisle, Pennsylvania	34802 Electromotive Inc. Kenilworth, NJ	49671 RCA Corp. New York, NY
30800 General Instrument Corp. Capacitor Div. Hicksville, NY	32997 Boums Inc. Trimpot Div. Riverside, CA	34848 Hartwell Special Products Placentia, CA	49956 Raytheon Company Executive Offices Lexington, MA
30838 Fastec Chicago, ILL	33025 M/A ComOmni Spectra, Inc. (Replacing Omni Spectra) Microwave Subsystems Div. Tempe, AZ	35009 Renfrew Electric Co. Ltd. IRC Div. Toronto, Ontario, Canada	5D590 Mostek Corp. Replaced by: SGS Thompson Microelec- tronics
31019 Solid State Scientific Inc. Willow Grove, PA	33096 CO Crystal Corp. Loveland, CO	35986 Amrad Melrose Park, IL	5F520 Panel Components Corp. Santa Rosa, CA
31091 Alpha Industries Inc. Microelectronics Div. Hatfield, PA	33173 General Electric Co. Owensboro, KY	36665 Mitel Corp. Kanata, Ontario, Canada	5P575 Nobel Electronics Suffern, NY
31323 Metro Supply Company Sacramento, CA			5W664 NDK Div. of Nihon Dempa Kogyo LTD Lynchburg, VA

## Federal Supply Codes for Manufacturers (cont)

5U802 Dennison Mfg. Co. Framingham, MA	51499 Amtron Corp. Boston, MA	52840 Western Digital Corp. Costa Mesa, CA	54937 DeYoung Mfg. Bellevue, WA
50088 SGS - Thomson Microelectronics Inc. Carrollton, TX	51506 Accurate Screw Machine Co. (ASMCO) Nutley, NJ	53021 Sangamo Weston Inc. (See 06141)	54590 RCA Corp. Electronic Components Div. Cherry Hill, NJ
50120 Eagle-Picher Industries Inc. Electronics Div. CO Springs, CO	51605 CODI Semiconductor Inc. Kenilworth, NJ	53036 Textool Co. Houston, TX	55026 American Gage & Machine Co. Simpson Electric Co. Div. Elgin, IL
50157 Midwest Components Inc. Muskegon, MS	51642 Centre Engineering Inc. State College, PA	53184 Xeiton Corp. Lathan, NY	55112 Plessey Capacitors Inc. (Now 60935)
50356 Teac Corp. of America Industrial Products Div Montebello, CA	51705 ICO/Rally Palo alto, CA	53217 Technical Wire Products Inc. Santa Barbara, CA	55261 LSI Computer Systems Inc. Melville, NY
50364 MMI, Inc. (Monolithic Memories Inc) Military Products Div. Santa Clara, CA	51791 Statek Corp. Orange, CA	53342 Opt Industries Inc. Phillipsburg, NJ	55285 Beroquist Co. Minneapolis, MN
50472 Metal Masters, Inc. City of Industry, CA	51984 NEC America Inc. Falls Church, VA	53673 Thompson CSF Components Corp. (Semiconductor Div) Conaga Park, CA	55322 Santech Inc. New Albany, IN
50541 Hypertronics Corp. Hudson, MA	52063 Exar Integrated Systems Sunnyvale, CA	53718 Airmold/W. R. Grese & Co. Roanoke Rapids, NC	55408 STI-CO Industries Co Buffalo, NY
50558 Electronic Concepts, Inc. Eatontown, NJ	52072 Circuit Assembly Corp. Irvine, CA	53848 Standard Microsystems Hauppauge, NY	55464 Central Semiconductor Corp. Hauppauge, NY
50579 Litronix Inc. Cupertino, CA	52152 MN Mining & Mfg. Saint Paul, MN	53894 AHAM Inc. RanchoCA, CA	55557 Microwave Diode Corp. W. Stewartstown, NH
50891 Semiconductor Technology Stuart, FL	52333 API Electronics Haugpauge, Long Island, NY	53944 Glow-Lite Pauls Valley, OK	55566 R A F Electronic Hardware Inc. Seymour, CT
50934 Tran-Tec Corp Columbus, NE	52361 Communication Systems Piscataway, NJ	54178 Plasmetex Industries Inc. San Marcos, CA	55576 Synetek Santa Clara, CA
51167 Aries Electronics Inc. Frenchtown, NJ	52500 Amphenol, RF Operations Burlington, MA	54294 Shallercross Inc. Smithfield, NC	55680 Nichicon/America/Corp. Schaumburg, IL
51284 Mos Technology Norristown, PA	52525 Space-Lok Inc. Lerco Div. Burbank, CA	54453 Sullins Electronic Corp. San Marcos, CA	55943 D J Associates, Inc (Replaced Transcon Mfg.-24618) Fort Smith, AZ
51249 Heyman Mfg. Co. Cleveland, OH	52531 Hitachi Magnetics Edmore, MO	54473 Matsushita Electric Corp. (Panasonic) Secaucus, NJ	56282 Utek Systems Inc. Olathe, KS
51372 Verbatim Corp. Sunnyvale, CA	52745 Timco Los Angeles, CA	54492 Cinch Clamp Co., Inc. Santa Rosa, CA	56289 Sprague Electric Co. North Adams, MA
51398 MUPAC Corp. Brookton, MA	52763 Stettner-Electronics Inc. Chattanooga, TN	54583 TDK Garden City, NY	56365 Square D Co. Corporate Offices Palatine, IL
51406 Murata Erie, No. America Inc. (Also see 72982) Marietta, GA	52769 Sprague-Goodman Electronics Inc. Garden City Park, NY	54590 RCA Corp Distribution & Special Products Cherry Hill, NY	56375 WESCORP Div. Dal Industries Inc Mountain View, CA
	52771 Moniterm Corp. Amatrom Div. Santa Clara, CA	54869 Pihner International Corp. Arlington Heights, IL	

## Federal Supply Codes for Manufacturers (cont)

<p>56481 Shugart Associates Sub of Xerox Corp. Sunnyvale, CA</p>	<p>59610 Souriau Inc Valencia, CA</p>	<p>60911 Inmos Corp. CO Springs, CO</p>	<p>64537 KDI Electronics Whippany, NJ</p>
<p>56637 RCD Components Inc. Manchester, NH</p>	<p>59635 HV Component Associates Howell, NJ</p>	<p>60935 Westlake Capacitor Inc. Tantalum Div. Greencastle, IN</p>	<p>64782 Precision Control Mfg. Inc. Bellevue, WA</p>
<p>56708 Zilog Inc. Campbell, CA</p>	<p>59640 Supertex Inc. Sunnyvale, CA</p>	<p>60958 ACIC Intercomp Wire &amp; Cable Div. Hayesville, NC</p>	<p>64834 West M G Co. San Francisco, CA</p>
<p>56856 Vamistor Corp. of TN Sevierville, TN</p>	<p>59660 Tusonix Inc. Tucson, AZ</p>	<p>61271 Fujitsu Microelectronics Inc San Jose, CA</p>	<p>64961 Electronic Hardware LTD North Hollywood, CA</p>
<p>56880 Magnetics Inc. Baltimore, MD</p>	<p>59730 Thomas and Betts Corp. IA City, IA</p>	<p>61394 SEEQ Technology Inc. San Jose, CA</p>	<p>65092 Sangamo Weston Inc. Weston Instruments Div. Newark, NJ</p>
<p>57026 Endicott Coil Co. Inc. Binghamton, NY</p>	<p>59831 Semtronics Corp. Watchung, NJ</p>	<p>61429 Fox Electronics Cape Coral, FL</p>	<p>65786 Cypress Semi San Jose, CA</p>
<p>57053 Gates Energy Products Denver, CO</p>	<p>61053: American Components Inc. an Insilco Co. RPC Div. Hayesville, NC</p>	<p>61529 Aromat Corp. New Providence, NJ</p>	<p>65940 Rohm Corp &amp; Whatney Irvine, CA</p>
<p>57170 Cambridge Thermionic Cambridge, MA Replaced by: 71279 Interconnection Products Inc.</p>	<p>6L611 Allen, Robert G. Inc. Van Nuys, CA</p>	<p>61752 IR-ONICS Inc Warwick, RI</p>	<p>65964 Evox Inc. Bannockburn, IL</p>
<p>57668 R-ohm Corp Irvine, CA</p>	<p>6U850 Burgess Switch Co., Inc Northbrook, IL</p>	<p>61772 Integrated Device Technology Santa Clara, CA</p>	<p>66150 Entron Inc. Winslow Teltronics Div. Glendale, NY</p>
<p>57962 SGS - Thomson Microelectronics Inc Montgomeryville, PA</p>	<p>6U095 AMD Enterprises, Inc. Roswell, GA</p>	<p>61802 Toshiba Houston, TX</p>	<p>66302 VLSI Technology Inc. San Jose, CA</p>
<p>58014 Hitachi Magnalock Corp. (Now 12581)</p>	<p>6X403 SGS/ATES Semiconductor Corp. Indianapolis, IN</p>	<p>61857 SAN-O Industrial Corp. Bohemia, Long Island, NY</p>	<p>66419 Exel San Jose, CA</p>
<p>58104 Simco Atlanta, GA</p>	<p>6Y440 Micron Technology Inc. Boise, ID</p>	<p>61935 Schurter Inc. Petaluma, CA</p>	<p>66450 Dyna-Tech Electronics, Inc Walled Lake, MI</p>
<p>58364 BYCAP Inc. Chicago, IL</p>	<p>60046 Power Dynamics Inc West Orange, NJ</p>	<p>62351 Apple Rubber Lancaster, NY</p>	<p>66608 Bering Industries Freemont, CA</p>
<p>58451 Precision Lamp Cotat, CA</p>	<p>60197 Precicontact Inc. Langhorne, PA</p>	<p>62643 United Chemicon Rosemont, IL</p>	<p>66891 BKC International Electronics Lawrence, MA</p>
<p>58474 Superior Electric Co. Bristol, CT</p>	<p>60386 Squires Electronics Inc Cornelius, OR</p>	<p>62712 Seiko Instruments Torrance, CA</p>	<p>66958 SGS Semiconductor Corp. Phoenix, AZ</p>
<p>58614 Communications Instruments Inc. Fairview, NC</p>	<p>60395 Xicor Inc. Milpitas, CA</p>	<p>62793 Lear Siegler Inc. Energy Products Div. Santa Ana, CA</p>	<p>66967 Powerex Inc Auburn, NY</p>
<p>59124 KOA-Speer Electronics Inc. Bradford, PA</p>	<p>60399 Torin Engineered Blowers Div. of Clevepak Corp. Torrington, CT</p>	<p>63743 Ward Leonard Electric Co. Inc. Mount Vernon, NY</p>	<p>67183 Altera Santa Clara, CA</p>
<p>59422 Holmberg Electronics Irvine, CA</p>	<p>60496 Micrel Inc. Sunnyvale, CA</p>	<p>64154 Lamb Industries Portland, OR</p>	<p>68919 WIMA % Harry Levinson Co. Seattle, WA</p>
	<p>60705 Cera-Mite Corp. (formerly Sprague) Grafton, WI</p>	<p>64155 Linear Technology Milpitas, CA</p>	

## Federal Supply Codes for Manufacturers (cont)

7F361 Richmond-Division of Dixico % Zellerbach Paper Co. Seattle, WA	71468 ITT Cannon Div. of IIT Fountain Valley, CA	73138 Beckman Industrial corp. Helipot Div. Fullerton, CA	75042 TRW Inc. IRC Fixed Resistors Philadelphia, PA
7F844 Moore Business Forms, Inc Seattle, WA	71482 General Instrument Corp. Clare Div. Chicago, IL	73168 Fenwal Inc. Ashland, MA	75297 Kester Solder Div. Liton Systems, Inc Des Plaines, IL
7G902 Textron Inc. Camcar Div. Rockford, IL	71590 Mepco/Centralab A North American Philips Co. Fort Dodge, IA	73293 Hughes Aircraft Co. Electron Dynamics Div. Torrance, CA	75376 Kurz-Kasch Inc. Dayton, OH
7J395 Universal Plastics Welshpool, WA	71707 Coto Corp. Providence, RI	73445 Amperex Electronic Corp. Hicksville, NY	75378 CTS Knights Inc. Sandwich, IL
7J696 AMD Plastics East Lake, OH	71744 General Instrument Corp. Lamp Div/Worldwide Chicago, IL	73559 Carlingswitch Inc. Hartford, CT	75382 Kulka Electric Corp. (Now 83330) Mount Vernon, NY
7K354 Omni Spectra Inc Los Altos, CA	71785 TRW Inc. Cinch Connector Div. Elk Grove Village, IL	73586 Circle F Industries Trenton, NJ	75569 Performance Semiconductor Corp. Sunnyvale, CA
7Z884 ALPS Seattle, WA	71984 Dow Corning Corp. Midland, MI	73734 Federal Screw Products Inc. Chicago, IL	75915 Litelfuse Tracor (Formerly: Tracor-Litelfuse) Des Plaines, IL
7X634 Duracell USA Div. of Dart & Kraft Inc. Valdese, NC	72005 AMAX Specialty Metals Corp. Newark, NJ	73743 Fischer Special Mfg. Co. Cold Spring, KY	76854 Oak Switch Systems Inc. Crystal Lake, IL
70290 Almetal Universal Joint Co. Cleveland, OH	72136 Electro Motive Mfg. Corp. Florence, NC	73893 Microdot Mt. Clemens, MS	77122 TRW Assemblies & Fasteners Group Fastener Div. Moutainside, NJ
70485 Atlantic India Rubber Works Inc. Chicago, IL	72228 AMCA International Corp. Continental Screw Div. New Bedford, MA	73899 JFD Electronic Components Div. of Murata Erie Oceanside, NY	77342 AMF Inc. Potter & Brumfield Div. Princeton, IN
70563 Amperite Company Union City, NJ	72259 Nytronics Inc. New York, NY	73905 FL Industries Inc. San Jose, CA	77542 Ray-O-Vac Corp Madison, WI
70903 Cooper-Belden Corp. Geneva, IL	72619 Amperex Electronic Corp. Dialight Div. Brooklyn, NY	73949 Guardian Electric Mfg. Co. Chicago, IL	77638 General Instrument Corp. Rectifier Div. Brooklyn, NY
71002 Bimbach Co. Inc. Farmingdale, NY	72653 G C Electronics Co. Div. of Hydrometals Inc. Rockford, IL	74199 Quam Nichols Co. Chicago, IL	77900 Shakeproof Lock Washer Co. (Now 78189)
71034 Bliley Electric Co. Erie, PA	72794 Dzus Fastner Co. Inc. West Islip, NY	74217 Radio Switch Co. Marlboro, NJ	77969 Rubbercraft Corp. of CA Ltd. Torrance, CA
71183 Westinghouse Electric Corp. Bryant Div. Bridgeport, CT	72928 Gulton Industries Inc. Gudeman Div. Chicago, IL	74306 Piezo Crystal Co. Div. of PPA Industries Inc. Carlisle, PA	78189 IL Tool Works Inc. Shakeproof Div. Elgin, IL
71279 Interconnection Products Inc. Formerly Midland-Ross Cambion Div. Santa Ana, CA	72962 Elastic Stop Nut Div. of Harrard Industries Union, NJ	74445 Holo-Krome Co. Elmwood, CT	78277 Sigma Instruments Inc. South Braintree, MA
71400 Bussman Manufacturing Div. McGraw-Edison Co. St. Louis, MO	72982 Erie Specialty Products, Inc Formerly: Murata Erie Erie, PA	74542 Hoyt Elect.Instr. Works Inc. Penacook, NH	78290 Struhers Dunn Inc. Pitman, NJ
71450 CTS Corp. Elkhart, IN		74840 IL Capacitor Inc. Lincolnwood, IL	78553 Eaton Corp. Engineered Fastener Div. Cleveland, OH

## Federal Supply Codes for Manufacturers (cont)

78592 Stoeger Industries South Hackensack, NJ	81439 Therm-O-Disc Inc. Mansfield, OH	83315 Hubbell Corp. Mundelein, IL	87034 Illuminated Products Inc. (Now 76854)
79497 Western Rubber Co. Goshen, IN	81483 International Rectifier Corp. Los Angeles, CA	83330 Kulka Smith Inc. A North American Philips Co. Manasquan, NJ	87516 Standard Crystal KS City, KS
79727 C - W Industries Southampton, PA	81590 Korry Electronics Inc. Seattle, WA	83478 Rubbercraft Corp. of America West Haven, CT	88044 Aeronautical Standards Group Dept. of Navy & Air Force
79963 Zierick Mfg. Corp. Mount Kisco, NY	81741 Chicago Lock Co. Chicago, IL	83553 Associated Spring Barnes Group Gardena, CA	88219 GNB Inc. Industrial Battery Div. Langhorne, PA
8C798 Ken-Tronics, Inc. Milan, IL	82227 Airpax Corp. Cheshire Div. Cheshire, CT	83740 Union Carbide Corp. Battery Products Div. Danbury, CT	88245 Winchester Electronics Litton Systems-Useco Div. Van Nuys, CA
8D528 Baumgartens Atlanta, GA	82240 Simmons Fastner Corp. Albany, NY	84171 Arco Electronics Commack, NY	88486 Triangle PWC Inc. Jewitt City, CT
8F330 Eaton Corp. Cutler Hammer Product Sales Office Mountain View, CA	82305 Palmer Electronics Corp. South Gate, CA	84411 American Shizuki TRW Capacitors Div. Ogallala, NE	88690 Essex Group Inc. Wire Assembly Div. Dearborn, MI
8T100 Tellabs Inc. Naperville, IL	82389 Switchcraft Inc. Sub of Raytheon Co. Chicago, IL	84613 FIC Corp. Rockville, MD	88786 Atlantic India Rubber Co. Goshen, IN
80009 Tektronix Beaverton, OR	82415 Airpax Corp Frederick Div. Frederick, MD	84682 Essex Group Inc. Peabody, MA	88978 Philips (Now Fluke) Mahwah, NJ
80031 Mepco/Electra Inc. Morristown, NJ	82872 Roanwell Corp. New York, NY	84830 Lee Spring Co. Inc Brooklyn, NY	89020 Amerace Corp. Buchanan Crimpool Products Div. Union, NJ
80032 Ford Aerospace & Communications Corp. Western Development Laboratories Div. Palo Alto, CA	82877 Rotron Inc. Custom Div. Woodstock, NY	85367 Bearing Distributing Co. San Francisco, CA	89265 Potter-Brumfield (See 77342)
80145 LFE Corp. Process Control Div. Clinton, OH	82879 ITT Royal Electric Div. Pawtucket, RI	85372 Bearing Sales Co. Los Angeles, CA	89462 Waldes Truarc, Inc. Long Island, NY
80183 Sprague Products (Now 56289)	83003 Varo Inc. Garland, TX	85480 W. H. Brady Co. Industrial Product Milwaukee, WI	89536 John Fluke Mfg. Co., Inc. Everett, WA
80294 Boums Instruments Inc. Riverside, CA	83014 Hartwell Corp. Placentia, CA	85840 Brady WH Co Industrial Products Div Milwaukee, WI	89597 Fredericks Co. Huntingdon Valley, PA
80583 Hammerlund Mfg. Co. Inc. Paramus, NJ	83055 Signalite Fuse Co. (Now 71744)	85932 Electro Film Inc. Valencia, CA	89709 Bunker Ramo-Eltra Corp. Amphenol Div. Broadview, IL
80640 Computer Products Inc. Stevens-Arnold Div. South Boston, MA	83058 TRW Assemblies & Fasteners Group Fasteners Div. Cambridge, MA	86577 Precision Metal Products Co. Peabody, MA	89730 General Electric Lamp Div. Newark, NJ
81073 Grayhill Inc. La Grange, IL	83259 Parker-Hannifin Corp. O-Seal Div. Culver City, CA	86684 Radio Corp. of America (Now 54590)	9R216 Data Composition Svc, Inc Laurel, MD
81312 Litton Systems Inc. Winchester Electronics Div. Watertown, CT	83298 Bendix Corp. Electric & Fluid Power Div. Eatonville, NJ	86928 Seastrom Mfg. Co. Inc. Glendale, CA	9S171 Port Plastics Tukwila, WA



Federal Supply Codes for Manufacturers (cont)

9W423 Amatom El Mont, CA	91934 Miller Electric Co. Woonsocket, RI	95573 Campion Laboratories Inc. Detroit, MI	98278 Malco A Microdot Co. South Pasadena, CA
90201 Mallory Capacitor Co. Sub of Emhart Industries Inc. Indianapolis, IN	91967 National Tel-Tronics Div. of electro Audio Dynamics Inc Meadville, PA	95712 Bendix Corp. Electrical Comp. Div. Franklin, IN	98291 Sealectro Corp. BICC Electronics Trumbull, CT
90215 Best Stamp & Mfg. Co. KS City, MO	91984 Maida Development Co. Hampton, VA	95987 Weckesser Co. Inc. (Now 85480)	98372 Royal Industries Inc. (Now 62793)
90303 Duracell Inc. Technical Sales & Marketing Bethel, CT	91985 Norwalk Valve Co. S. Norwalk, CT	96733 SFE Technologies San Fernando, CA	98388 Lear Siegler Inc. Accurate Products Div. San Deigo, CA
91094 Essex Group Inc. Suflex/IWP Div. Newmarket, NH	92218 Wakefield Corp., The Wakefield, ME	96853 Gulton Industries Inc. Measurement & Controls Div. Manchester, NH	98978 IERC (International Electronic Research Corp.) Burbank, CA
91247 IL Transformer Co. Chicago, IL	92527 VTC Inc. Bloomington, MN	96881 Thomson Industries Inc. Port WA, NY	99120 Plastic Capacitors Inc. Chicago, IL
91293 Johanson Mfg. Co. Boonton, NJ	92607 Tensolite Co. Div. of Carlisle Corp. Buchanan, NY	97464 Industrial Retainer Ring Irvington, NJ	99217 Bell Industries Inc. Elect. Distributor Div. Sunnyvale, CA
91462 Alpha Industries Inc. Logansport, IN	92914 Alpha Wire Corp. Elizabeth, NJ	97525 IEECO Inc. Santa Ana, CA	99378 ATLEE of DE Inc. N. Andover, MA
91502 Associated Machine Santa Clara, CA	93332 Sylvania Electric Products Semiconductor Products Div. Woburn, MA	97540 Whitehall Electronics Corp. Master Mobile Mounts Div. Fort Meyers, FL	99392 Mepco/Electra Inc. Roxboro Div. Roxboro, NC
91506 Augat Alcoswitch N. Andover, MA	94144 Raytheon Co. Microwave & Power Tube Div. Quincy, MA	97913 Industrial Electronic Hardware Corp. NY, NY	99515 Electron Products Inc. Div. of American Capacitors Duarte, CA
91507 Froeliger Machine Tool Co. Stockton, CA	94222 Southco Inc. Concordville, PA	97945 Pennwalt Corp. SS White Industrial Products Piscataway, NJ	99779 Bunker Ramo- Eltra Corp. Barnes Div. Lansdown, PA
91637 Dale Electronics Inc. Columbus, NE	94988 Wagner Electric Corp. Sub of McGraw-Edison Co. Whippany, NJ	97966 CBS Electronic Div. Danvers, MA	99800 American Precision Industries Delevan Div. East Aurora, NY
91662 Eico Corp. A Gulf Western Mfg. Co. Connector Div. Huntingdon, PA	95146 Alco Electronic Products Inc. Switch Div. North Andover, MA	98094 Machlett Laboratories Inc. Santa Barbara, CA	99942 Mepco/Centralab A North American Philips Co. Milwaukee, WI
91737 ITT Cannon/Gremer (Now 08718)	95263 Leecraft Mfg. Co. Long Island City, NY	98159 Rubber-Teck Inc. Gardena, CA	
91802 Industrial Devices Inc. Edgewater, NJ	95275 Vitramon Inc. Bridgeport, CT		
91833 Keystone Electronics Corp. NY, NY	95303 RCA Corp. Receiving Tube Div. Cincinnati, OH		
91836 King's Electronics Co. Inc. Tuckahoe, NY	95348 Gordo's Corp. Bloomfield, NJ		
91929 Honeywell Inc. Micro Switch Div. Freeport, IL	95354 Methode Mfg. Corp. Rolling Meadows, IL		



## Service Centers

### USA

#### California

FLW  
Fluke Calibration Center  
C/o FLW Service Corporation  
3505 Cadillac Ave., Bldg E  
Costa Mesa, CA 92626  
TEL: (714) 863-9031  
FAX: (714) 751-0213

Fluke Service Center  
42711 Lawrence Place  
Fremont, CA 94538  
TEL: (510) 651-5112  
FAX: (510) 651-4962

#### Illinois

Fluke Service Center  
1150 W. Euclid Avenue  
Palatine, IL 60067  
TEL: (708) 705-0500  
FAX: (708) 705-9989

#### New Jersey

Fluke Service Center  
W. 75 Century Rd  
Paramus, N.J. 07652-0930  
TEL: (201) 599-9500 (599-0919)  
FAX: (201) 599-2093

#### Texas

Fluke Service Center - Dallas  
2104 Hutton Drive  
Suite 112  
Carrollton, TX 75006  
TEL: (214) 406-1000  
FAX: (214) 406-1072

#### Washington

Fluke Service Center  
Fluke Corporation  
Building #4  
1420 - 75TH St. S.W.  
Everett WA 98203  
TEL: (206) 356-5560  
FAX: (206) 356-6390

### INTERNATIONAL

#### Australia

Phillips Sci. and Ind., Pty., L.  
745 Springvale Road  
Mulgrave  
Victoria 3170  
TEL: 61-3-881-3666  
FAX: 61-3-881-3636

Phil. Sci. & Ind. Blk F, Centrect.  
34 Waterloo Road  
North Ryde, N.S.W. 2113  
TEL: 61-2-888-8222  
FAX: 61-2-888-0440

#### Austria

Fluke Vertriebsges. GMBH (GM)  
SudrandstraBe 7  
P.O. Box 10, A-1232 Vienna  
TEL: 43-1-614-100  
FAX: 43-1-614-1010

#### Bahrain

Mohammed Fakhroo & Bros.  
P.O. Box 439  
Bahrain  
TEL: 973-253529  
FAX: 973-275996

#### Belgium

N.V. Fluke Belgium S.A.  
Sales & Service Dept.  
Langeveldpark - Unit 5 & 7  
P.Basteleusstraat 2-4-6  
1600 St. Pieters - Leeuw  
TEL: 218-2-331-2777 (ext 218)  
FAX: 32-2-331-1489

#### Bolivia

Casilla 7295,  
Calle Ayacucho No. 208  
Edificio Flores, 5to. Piso  
La Paz, Bolivia  
TEL: 591-2-317531 or 317173  
FAX: 591-2-317545

#### Brazil

Phillips Medical Systems, LTDA  
Av. Interlagos North  
3493 - Campo Grande  
04661-200 Sao Paulo S.P.  
TEL: 55-11-523-4811  
FAX: 55-11-524-4873 (ID 2148)

Sigtron Instrumentos E. Servicios  
Rua Alvaro Rodrigues  
269 - Brooklin  
Sao Paulo, Sp  
TEL: 55-11-240-7359  
FAX: 55-11-533-3749

#### Sistest

Sist. Instr. Testes Ltda  
Av. Ataulfo De Paiva  
135 S/ 1117 - Leblon 22.449-900  
Rio De Janeiro, Rj, Brazil  
TEL: 55-21-259-5755 or 512-3679  
FAX: 55-21-259-5743

#### Bulgaria

Ac Sophilco, Cust. Supp. Serv.  
P.O. Box 42  
1309 Sofia, Bulgaria  
TEL: 359-2-200785  
FAX: 359-2-220910

#### C.S.F.R.

Elso  
NA. Berance 2  
16200 Praha 6  
TEL: 42-2-316-4810  
FAX: 42-2-364986

#### Data Elektronik BRNO

Jugoslavaska 113  
61300 Brno  
TEL: 42-5-57400-2  
FAX: 42-5-574002

#### Canada

Fluke Electronics Canada Inc.  
400 Britannia Rd East, Ut #1  
Mississauga, Ontario  
L4Z 1X9  
TEL: 905-890-7600  
FAX: 905-890-8866

#### Chile

Intronica, Instrumen Electronica,  
S.A.C.I.  
Guardia Vieja 181 Of. 503  
Casilla 16500, Santiago 9  
TEL: 56-2-232-3888  
FAX: 56-2-231-6700

#### China

Fluke S.C., Room 2111  
Scite Tower  
Jianguomenwai Dajie  
Beijing 100004, PRC  
TEL: 86-10-512-6351, 6319, 3437  
FAX: 86-10-512-3437

#### Colombia

Sistemas E Instrument., Ltda.  
Calle 83, No. 37-07  
Po Box 29583  
Santa Fe De Bogota  
TEL: 57-1-287-5424  
FAX: 57-1-218-2660

#### Costa Rica

Electronic Engineering, S.A.  
Carretera de Circunvalacion  
Sabanilla Av. Novena  
P.O. Box 4300-1000, San Jose  
TEL: 506-253-3759 or 225-8793  
FAX: 506-225-1286

#### Croatia

Kaltim - Zagreb  
Fluke Sls & Serv. Draga 8  
41425 Sveta Jana  
TEL: 385-41-837115  
FAX: 385-41-837237

#### Denmark

Fluke Danmark A/S, Cust. Supp.  
Ejby Industrivej 40  
DK 2600 Glostrup  
TEL: 45-43-44-1900 or 1935  
FAX: 45-43-43-9192

#### Ecuador

Proteco Coasin Cia., Ltda.  
Av. 12 de Octubre 2449 y  
Orellana  
P.O. Box 17-03-228-A, Quito  
TEL: 593-2-230283 or 520005  
FAX: 593-2-561980

#### Egypt

EEMCO  
Electronic Equipment Mking Co.  
9 Hassan Mazher St.  
P.O. Box 2009  
St. Heliopolis 11361  
Cairo, Egypt  
TEL: 20-2-417-8296  
FAX: 20-2-417-8296

#### Fed. Rep. of Germany

Fluke Deutschland Gmbh  
Customer Support Services  
Servicestutzpunkt VFN5  
Oskar-Messter-Strasse 18  
85737 Ismaning/Munich  
TEL: 49-89-9961-1260  
FAX: 49-89-9961-1270

Fluke Deutschland  
(CSS), Servicestutzpunkt VFN5  
Meiendorfer Strasse 205  
22145 Hamburg  
TEL: 49-40-679-6434  
FAX: 49-40-679-7653

#### Finland

Fluke Finland Oy  
Sinikalliontie 3, P.L. 151  
SF 02631 Espoo  
TEL: 358-0-6152-5600  
FAX: 358-0-6152-5630

#### France

Fluke France S.A.  
37 Rue Voltaire  
BP 112, 93700 Drancy, Cedex  
TEL: 33-1-4896-6300  
FAX: 33-1-4896-6330

Greece  
Philips S.A. Hellenique  
Fluke Sales & Service Manager  
15, 25th March Street, P.O. Box  
3153, 177 78 Tavros Athens  
TEL: 30-1-489-4911 or 4262  
FAX: 30-1-481-8594

#### Hong Kong

Schmidt & Co, Ltd. 1st Floor  
323 Jaffe Road  
Wanchai  
TEL: 852-9223-5623  
FAX: 852 834-1848

#### Hungary

MTA MMSZ KFT, Srv. / Gen. Mgr  
Etele Ut. 59 -61  
P.O. Box 58  
H 1502 Budapest  
TEL: 361-186-9589 or 209-3444  
FAX: 361-161-1021

#### Iceland

Taeknival HF  
P.O. Box 8294, Skeifunni 17  
128 Reykjavik  
TEL: 354-1-681665  
FAX: 354-1-680664

#### India

Philips India Limited  
Band Box House  
254 Dr. Annie Besant Road  
Bombay 400 025  
TEL: 91-22-493-0311  
FAX: 91-22-495-0498

Hinditron Services Pvt. Inc.  
33/44A 8th Main Road  
Raj Mahal Vilas Extension  
Bangalore 560 080  
TEL: 91-80-334-8266 or 0068  
FAX: 91-80-334-5022

Hinditron Services Pvt. Ltd  
Hinditron House, 23-B  
Mahal Industrial Estate  
Mahakali Caves Rd, Andheri East  
Bombay 400 093  
TEL: 91-22-836-4560, 6590  
FAX: 91-22-836-4682

Hinditron Services Pvt. Ltd  
Castle House, 5th Floor  
5/1 A, Hungerford Street  
Calcutta 700 017  
TEL: 91-33-400-194  
FAX: 91-33-247-6844

Hinditron Services Pvt. Ltd  
204-206 Hemkunt Tower  
98 Nehru Place  
New Delhi 110 019  
TEL: 91-11-641-3675 or 643-0519  
FAX: 91-11-642-9118

Hinditron Services Pvt. Ltd.  
Field Service Center  
Emerald House, 5th Floor  
114 Sarojini Devi Road  
Secunderabad 500 003  
TEL: 91 40-844033 or 843753  
FAX: 91-40-847585

#### Indonesia

P. T. Daeng Bro, Phillips House  
J/n H.R. Rasuna Said Kav. 3-4  
Jakarta 12950  
TEL: 62-21-520-1122  
FAX: 62-21-520-5189 or 62-21-520-5189

#### Israel

R.D.T Equipment & Sys, Ltd.  
P.O. Box 58072  
Tel-Aviv 61580  
TEL: 972-3-645-0745  
FAX: 972-3-647-8908

## Service Centers (cont)

### Italy

Fluke Italia S.R.L., CSS  
Viale Delle Industrie, 11  
20090 Vimodrone (MI)  
TEL: 39-2-268-434-203 or 4341  
FAX: 39-2-250-1645

### Japan

Fluke Corp., Sumitomo Higashi  
Shinbashi Bldg.  
1-1-11 Hamamatsucho  
Minato-ku, Tokyo 105  
TEL: 81-3-3434-0188 or 0181  
FAX: 81-3-3434-0170

### Kenya

Walterfang  
P.O. Box 14897  
Nairobi, Kenya  
TEL: 254-2  
FAX: 254-2

### Korea

B&P International Co., Ltd.  
Geopung Town A-303  
203-1 Nonhyun-Dong  
Kangnam-Ku, Seoul  
Seoul 135-010  
TEL: 82 12 546-1457  
FAX: 82 12 546-1458

### IL MYOUNG, INC.

Youngdong P.O. Box 1486  
780-46, Yeogsam-Dong  
Kangnam-Ku, Seoul  
TEL: 82 2 552-8582-4  
FAX: 82 2 553-0388

### Kuwait

Yusuf A. Alghanim & Sons W.L.L.  
P.O. Box 223 Safat  
Alghanim Industries  
Airport Road Shuwaikh  
13003 Kuwait  
TEL: 965-4842988  
FAX: 965-4847244

### Malaysia

CNN. SDN. BHD.  
17D, 2nd Floor  
Lebuhraya Batu Lancang  
Taman Seri Damai  
11600 Jelutong Penang  
TEL: 60-4-657-9584  
FAX: 60-4-657-0835

### Mexico

Metro. Y Calibraciones Ind., S.A.  
Diagonal No. 17 - 3 Piso  
Col. Del Valle  
C.P. 03100, Mexico D.F.  
TEL: 52-5-682-8040  
FAX: 52-5-687-8695

### Netherlands

Fluke Nederland B.V. (CSS)  
Afdeling Service  
Science Park Eindhoven 5108  
5692 EC Son  
TEL: 31-40-2678300 or 2678311  
FAX: 31-40-2678321

### New Zealand

Phillips Scientific & Ind., Pty., L.  
Private Bag 41904,  
St. Lukes, 2 Wagener Place  
Mt. Albert, Auckland 3  
TEL: 64-9-894-4160  
FAX: 64-9-849-7814

### Nigeria

Phillips Projects Centre  
Resident Delegate / PMB 80065  
8, Kofo Abayomi Street  
Victoria Island, Nigeria  
TEL: 234-1-262-0632  
FAX: 234-1-262-0631

### Norway

Fluke Norway A/S, Cust. Support  
P.O. Box 6054 Etterstad  
N-0601 Oslo  
TEL: 47-22-653400  
FAX: 47-22-653407

### Pakistan (Philips)

Phillips Elec. Ind. of Prof. Sys. Div.  
Islamic Cham. of Commerce  
St-2/A, Block 9, KDA Scheme 5,  
Clifton, Karachi-75600  
TEL: 92-21-587-4641 or 4649  
FAX: 92-21-577-0348

### Peru

Impor. & Repres. Electronicas  
S.A., JR. Pumacahua 955  
Lima 11  
TEL: 51-14-23-5099  
FAX: 51-14-31-0707

### Philippines

Spark Electronics Corp.  
P.O. Box 610, Greenhills  
Metro Manila 1502  
TEL: 63-2-700-621  
FAX: 63-2-721-0491 or 700-709

### Poland

Elec. Instr. Srv. Philips Cons.  
UL. Malechowska 6  
60 188 Poznan  
TEL: 48-61-681998  
FAX: 48-61-682256

### Romania

Ronex S.R.L., Cust. Supp. Serv.  
Str. Transilvaniei Nr. 24  
70778 Bucharest - I  
TEL: 40-1-614-3597 or 3598  
FAX: 40-1-659-4468

### Russia

Infomedia  
UL. Petrovsko Razumovsky  
Proezd. 29  
103287 Moscow  
TEL: 7-95-212-3833  
FAX: 7-95-212-3838

### Saudi Arabia

A. Rajab & Silsilah Co. S&S Dept.  
P.O. Box 203  
21411 Jeddah  
TEL: 966-2-661-0006  
FAX: 966-2-661-0558

### Singapore

Fluke Singapore Pte., Ltd.  
Fluke ASEAN Regional Office  
#27-03 PSA Building  
460 Alexandra Road  
Singapore 119963  
TEL: 65-276-5161  
FAX: 65-276-5929

### South Africa

Spescom Measure. (PTY) Ltd.  
Spescom Park  
Crm. Alexandra Rd. & Second St.  
Halfway House, Midrand 1685  
TEL: 27-11-315-0757  
FAX: 27-11-805-1192

### Spain

Fluke Iberica S.L.  
Centro Empresarial Euronora  
c/Ronda de Poniente, 8  
28760-Tres Cantos  
Madrid, Spain  
TEL: 34-1-804-2301  
FAX: 34-1-804-2496

### Sweden

Fluke Sverige AB, (CSS)  
P.O. Box 61  
S-164 94 Kista  
TEL: 46-8-751-0235 or 0230  
FAX: 46-8-751-0480

### Switzerland

Fluke Switzerland AG, (CSS)  
Rutistrasse 28  
CH 8952 Schlieren  
Switzerland  
TEL: 41-1-730-3310 or 730-3932  
FAX: 41-1-730-3932

### Taiwan

Schmidt Scientific Taiwan, Ltd.  
6th Floor, No. 109,  
Tung Hsing Street  
Taipei, Taiwan  
TEL: 886-2-767-8890 or 501-  
5737  
FAX: 886-2-767-8820 or 765-  
3717

### Thailand

Measuretronix Ltd.  
2102/31 Ramkamhang Road  
Bangkok 10240  
TEL: 66-2-375-2733 or 2734  
FAX: 66-2-374-9965

### Turkey

Pestas Prof. Elektr. Sist. Tic. V  
Selculklar Caddesi  
Meydan Apt. No. 49, Daire 23  
Akatlar 80630 Istanbul  
TEL: 90-212-282-7838  
FAX: 90-212-282-7839

### U.A.E.

Haris Al Afaq Ltd.  
P.O. Box 8141  
Dubai  
TEL: 971-4-283623 or 283624  
FAX: 971-4-281285

### United Kingdom

Fluke U.K. LTD. (CSS)  
Colonial Way  
Watford, Hertfordshire WD2 4TT  
TEL: 44-923-240511  
FAX: 44-923-225067

### Uruguay

Coasin Instrumentos S.A.  
Casilla de Correo 1400  
Libertad 2529, Montevideo  
TEL: 598-2-492-436, 659  
FAX: 598-2-492-659

### Venezuela

Coasin C.A.  
Calle 9 Con Calle 4, Edif. Edinurbi  
Piso-3  
La Urbina  
Caracas 1070-A, Venezuela  
TEL: 58-2-241-6214  
FAX: 58-2-241-1939

### Vietnam

Schmidt-Vietnam Co., Ltd.  
8/FI. Schmidt Tower  
Hanoi International Tech. Ctr  
KM8, Highway 32, Cau Giay  
Tu Liem, Hanoi  
Vietnam  
TEL: 84-4-346186 or 346187  
FAX: 84-4-346-188

### West Indies

Western Scientific Co., Ltd.  
Freeport Mission Road  
Freeport, Trinidad  
West Indies  
TEL: 809-673-0038  
FAX: 809-673-0767

### Yugoslavia

Jugoelektro Beograd  
T & M Customer Support  
Services  
Knez Mihailova 33  
11070 Novi  
TEL: 38-11-182470  
FAX: 38-11-638209

### Zimbabwe

Field Technical Sales  
45, Kelvin Road North  
P.O. Box Cy535 Causeway  
Harare, Zimbabwe  
TEL: 263-4-750381 or 750382  
FAX: 263-4-729970

## Appendix 7A Manual Change Information

### **INTRODUCTION**

This appendix contains information necessary to backdate the manual to conform with earlier pcb configurations. To identify the configuration of the pcb's used in your instrument, refer to the revision letter (marked in ink) on the component side of each pcb assembly. Table 7A-1 defines the assembly revision levels documented in this manual.

### **NEWER INSTRUMENTS**

As changes and improvements are made to the instrument, they are identified by incrementing the revision letter marked on the affected pcb assembly.

These changes are documented on a supplemental change/errata sheet which, when applicable, is inserted at the front of the manual.

### **OLDER INSTRUMENTS**

To backdate this manual to conform with earlier assembly revision levels, perform the changes indicated in Table 7A-1.

### **CHANGES**

There are no backdating changes at this printing. All pcb assemblies are documented at their original revision level.



## Section 8

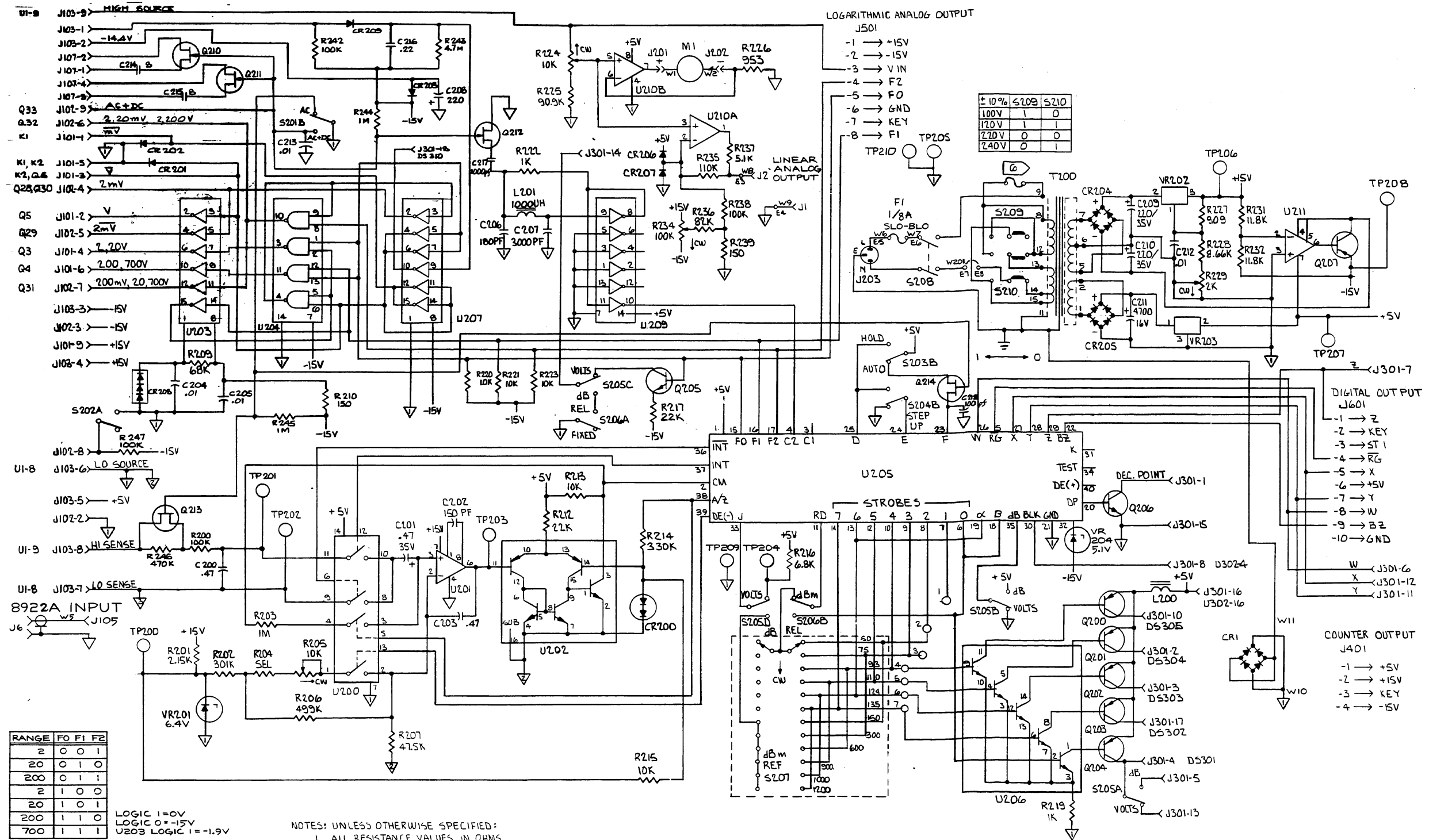
# Schematic Diagrams

### TABLE OF CONTENTS

FIGURE	TITLE	PAGE
8-1.	A1 Main PCB Assembly .....	8-2
8-2.	A1A1 Display PCB Assembly .....	8-4
8-3.	A2 AC PCB Assembly .....	8-6
8-4.	-003 Counter Output Option Assembly .....	8-9
8-5.	-004 Logarithmic Analog Output Option .....	8-10





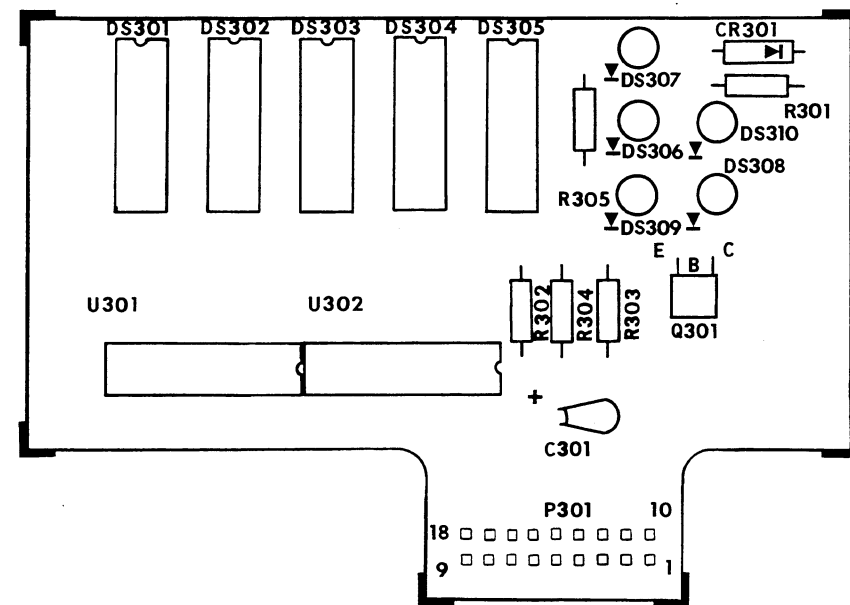


RANGE	FO	F1	F2
2	0	0	1
20	0	1	0
200	0	1	1
2	1	0	0
20	1	0	1
200	1	1	0
700	1	1	1

LOGIC 1=0V  
 LOGIC 0=-15V  
 U203 LOGIC 1=-1.9V

LAST NO. USED		NOS NOT USED		PANEL MOUNTED COMPONENTS	
C218	CR209	R211, 230, 218		CR1, F1, J1-	
J203	L201	R240, 241, 228		J6, M1, W1-11	
Q214	R247	G208, 229			
S210	T200				
TP210	U211				
VR204	W201				

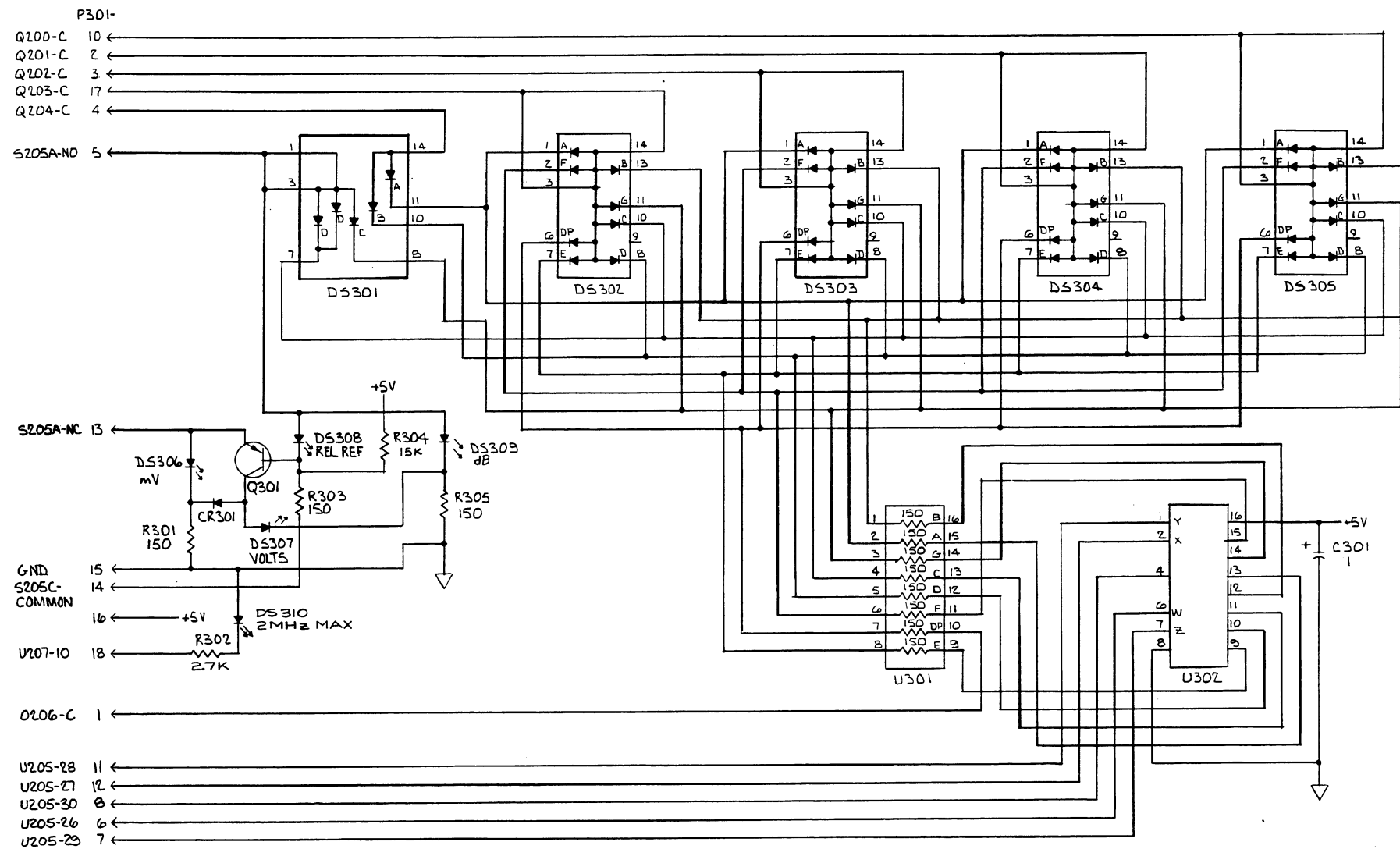
- NOTES: UNLESS OTHERWISE SPECIFIED:
1. ALL RESISTANCE VALUES IN OHMS.
  2. ALL CAPACITANCE VALUES IN MICROFARADS.
  3. M1 MOUNTED ON FRONT PANEL. CR1, F1, J1 & J2 MOUNTED ON REAR PANEL.
  4. THERMAL FUSE, PART OF TRANSFORMER ASSY.



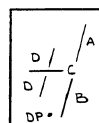
8920A-1602

Figure 8-2. A1A1 Display PCB Assembly

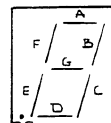
NOTES: UNLESS OTHERWISE SPECIFIED:  
 1. ALL RESISTANCE VALUES IN OHMS.  
 2. ALL CAPACITANCE VALUES IN MICROFARADS.



LAST NO. USED	
C301	Q301
CR301	R305
DS310	



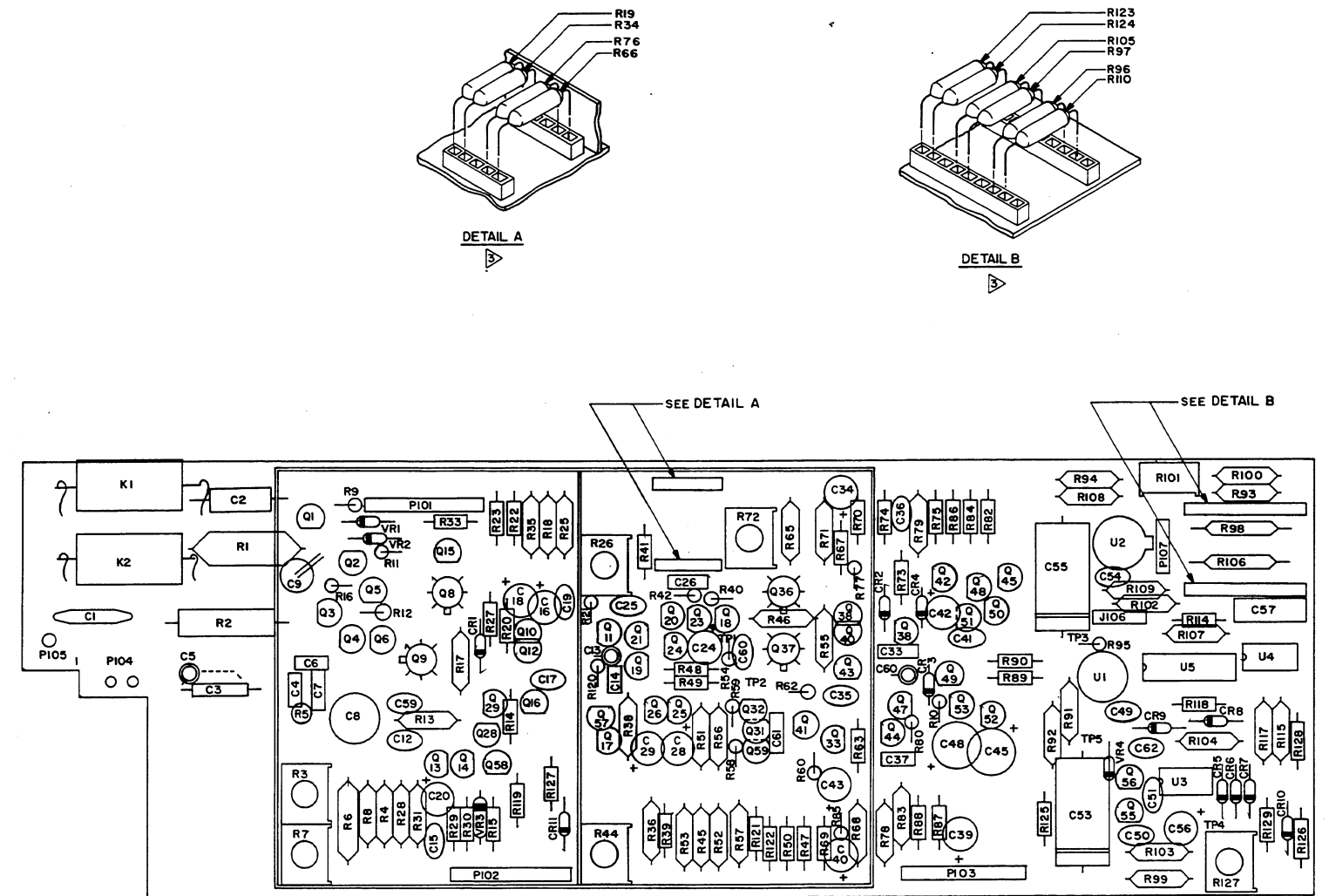
DS301



DS302-DS305

8920A-1002

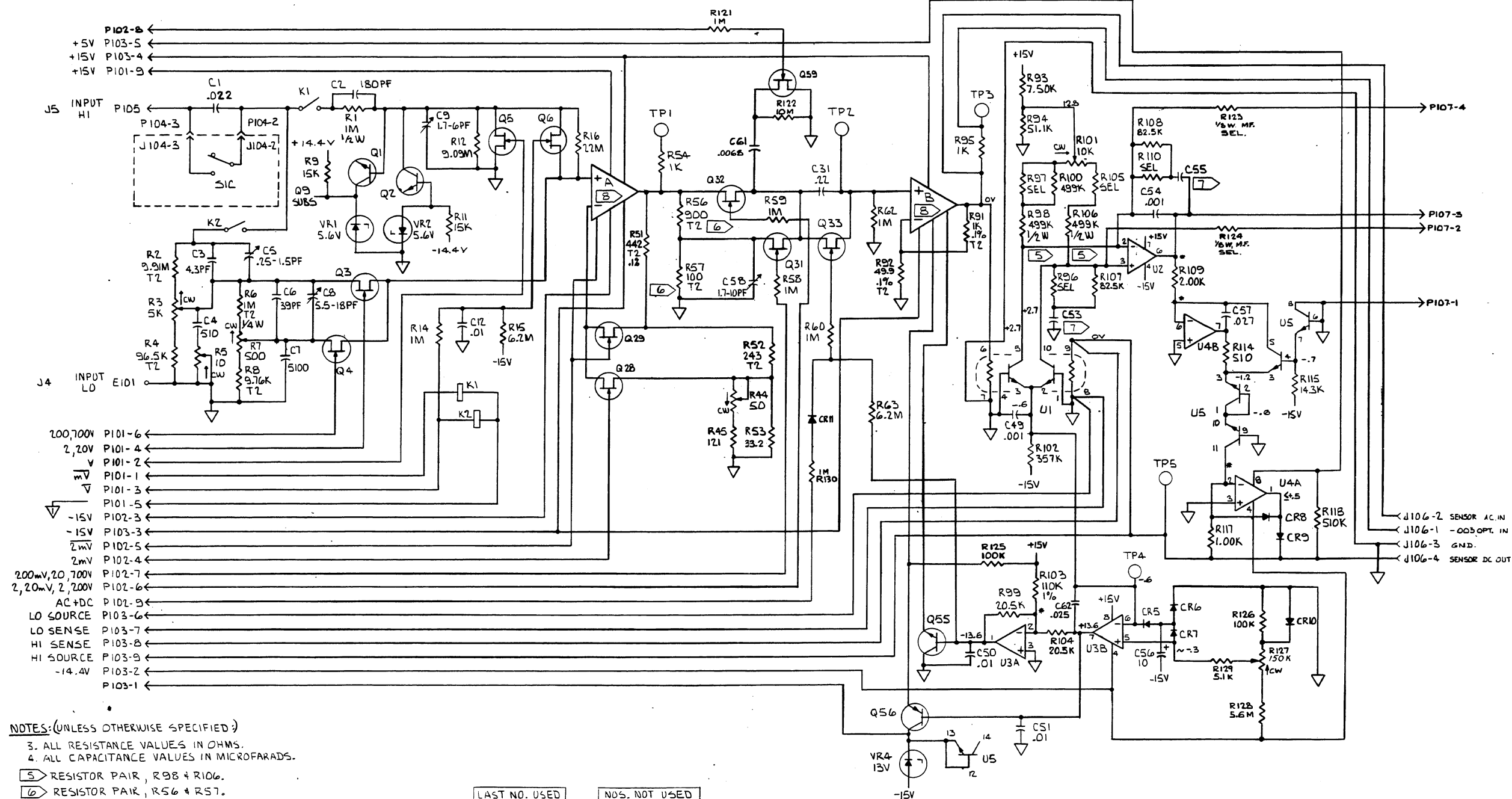
Figure 8-2. A1A1 Display PCB Assembly (cont)



NOTES:  
▶ INSTALLED IN FINAL ASSEMBLY.

8922A-1603

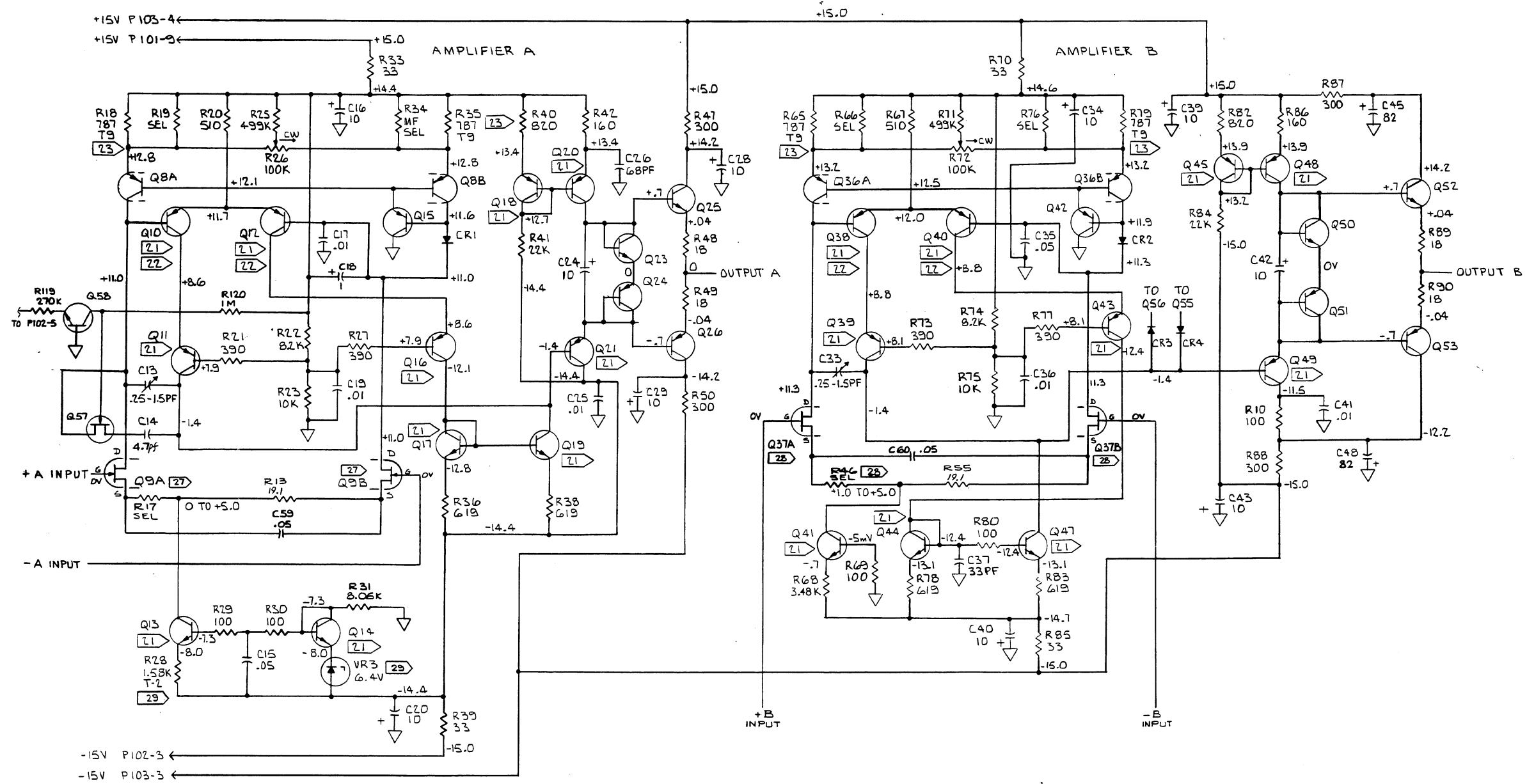
Figure 8-3. A2 AC PCB Assembly



- NOTES: (UNLESS OTHERWISE SPECIFIED)
3. ALL RESISTANCE VALUES IN OHMS.
  4. ALL CAPACITANCE VALUES IN MICROFARADS.
  - 5 RESISTOR PAIR, R98 & R106.
  - 6 RESISTOR PAIR, R56 & R57.
  - 7 CAPACITOR PAIR, C53 & C55.
  - 8 REPRESENTS AMPLIFIERS A & B. SEE SH 2 FOR DETAILS.
  9. VOLTAGES MEASURED WITH 8922A INPUT SHORTED, 1VAC RANGE.
  10. VOLTAGES ARE TYPICAL, MAY VARY ±10%. \* VOLTAGES PRESENT UNDER QUIESCENT CONDITIONS ARE OFFSET DEPENDENT.
  11. ⏚ ANALOG COMMON, ⏚ LOGIC COMMON.
- [NOTES CONTINUED ON SHEET 2]

LAST NO. USED		NDS. NOT USED	
C62	CR11	C10, 11, 21, 22, 23, 27, 30, 32	
K7	Q59	38, 44, 46, 47, 52, 438	
R129	TP5	Q7, 22, 27, 34, 35, 46, 54 & 30	
US	VR4	R24, 32, 61, 64, 81, 37, 43, 111, 112, 113 & 116	

Figure 8-3. A2 AC PCB Assembly (cont)



NOTES: UNLESS OTHERWISE SPECIFIED:

Ⓛ1 NON-STANDARD PIN-OUT; EMITTER & BASE LEGS REVERSED.

Ⓛ2 TRANSISTOR SET: Q10, 12, 38 & 40.

Ⓛ3 RESISTOR SET: R18, 35, 65 & 79.

24. VOLTAGES MEASURED WITH 8922A INPUT SHORTED, 1 VAC RANGE.

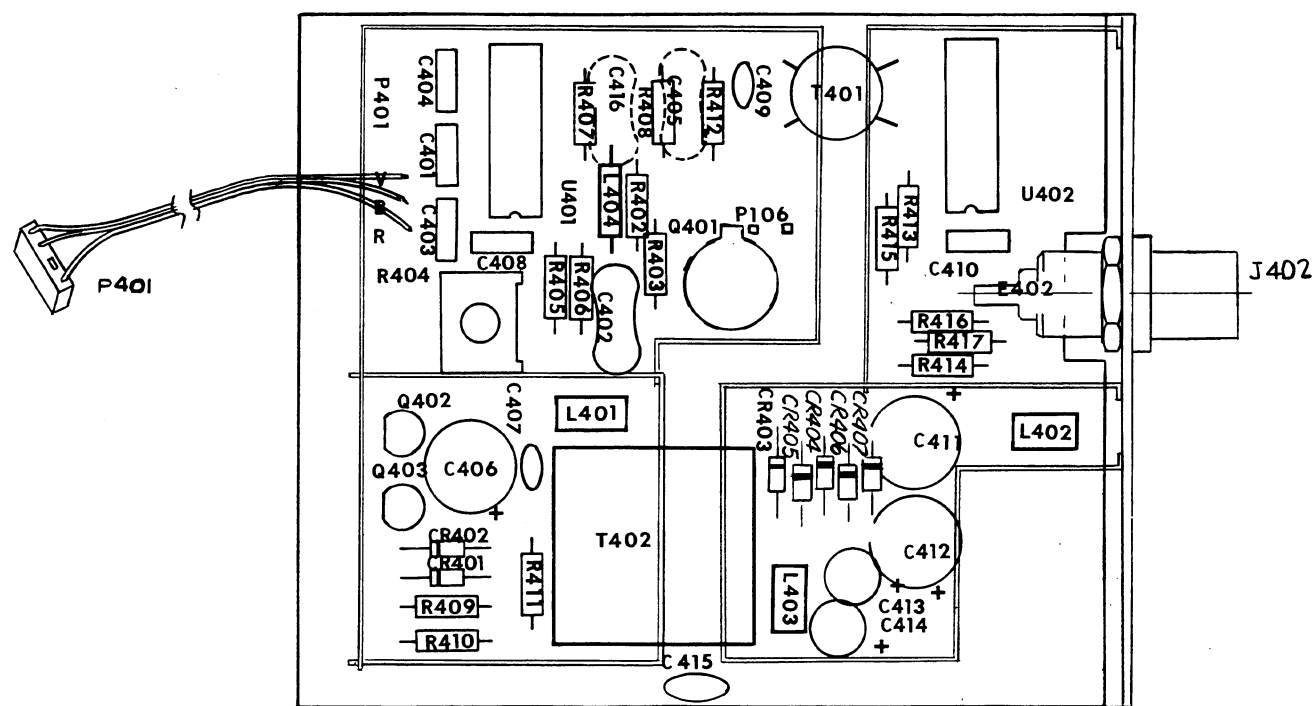
25. ALL VOLTAGES MEASURED WITH A HIGH IMPEDANCE (100 MΩ) VOLTMETER WITH A 10K RESISTOR ISOLATING THE HIGH TEST PROBE. VOLTAGES ARE TYPICAL, MAY VARY ±10%.

Ⓛ27 Q9 & R17 ARE SELECTED AS A SET.

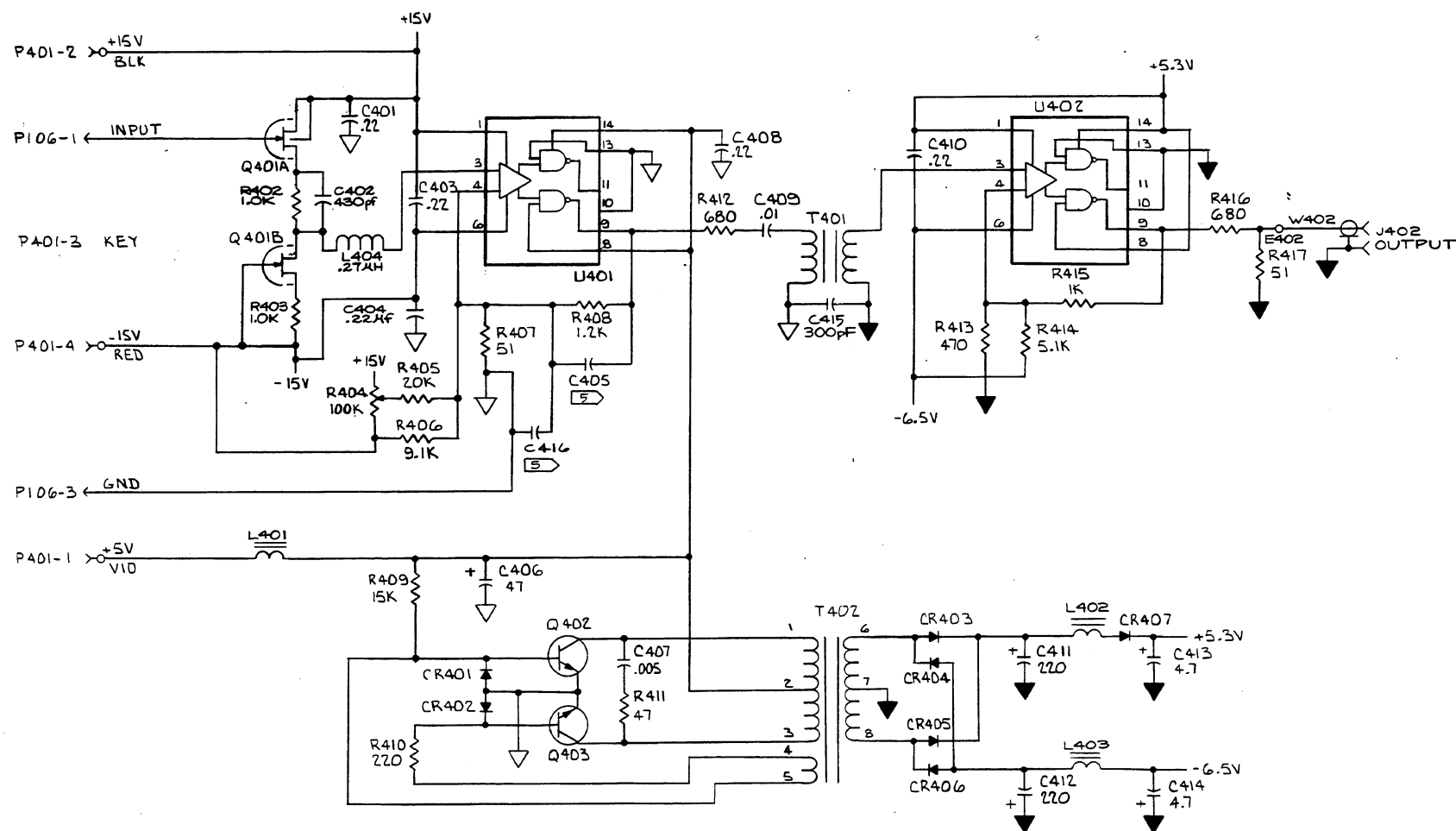
Ⓛ28 Q37 & R46 ARE SELECTED AS A SET.

Ⓛ29 VR3 & R28 ARE SELECTED AS A SET.

Figure 8-3. A2 AC PCB Assembly (cont)



892XA-1613



892XA-1013

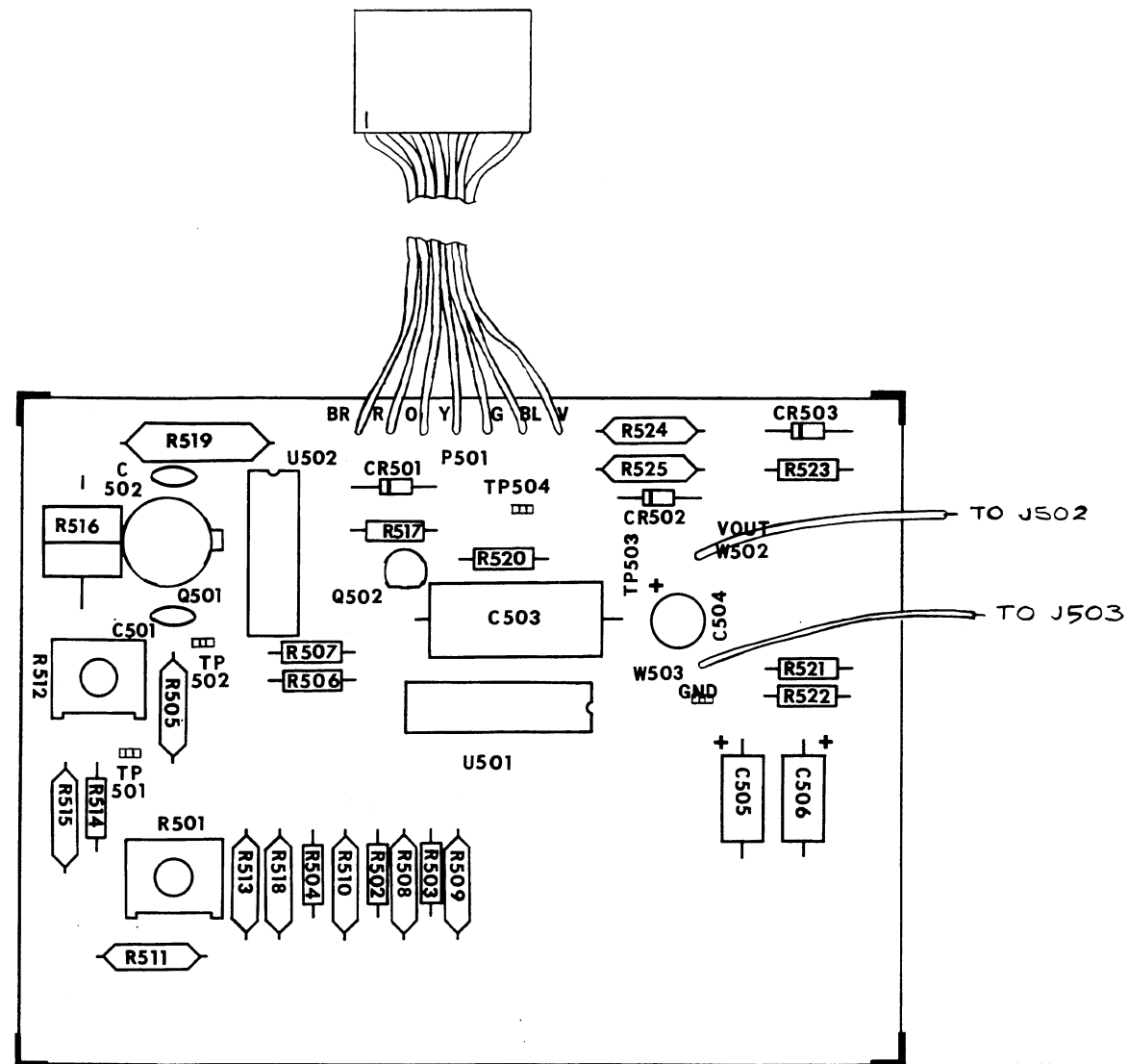
NOTES- UNLESS OTHERWISE SPECIFIED:

1. ALL RESISTOR VALUES ARE IN OHMS.
2. ALL CAPACITANCE VALUES ARE IN MICROFARADS.

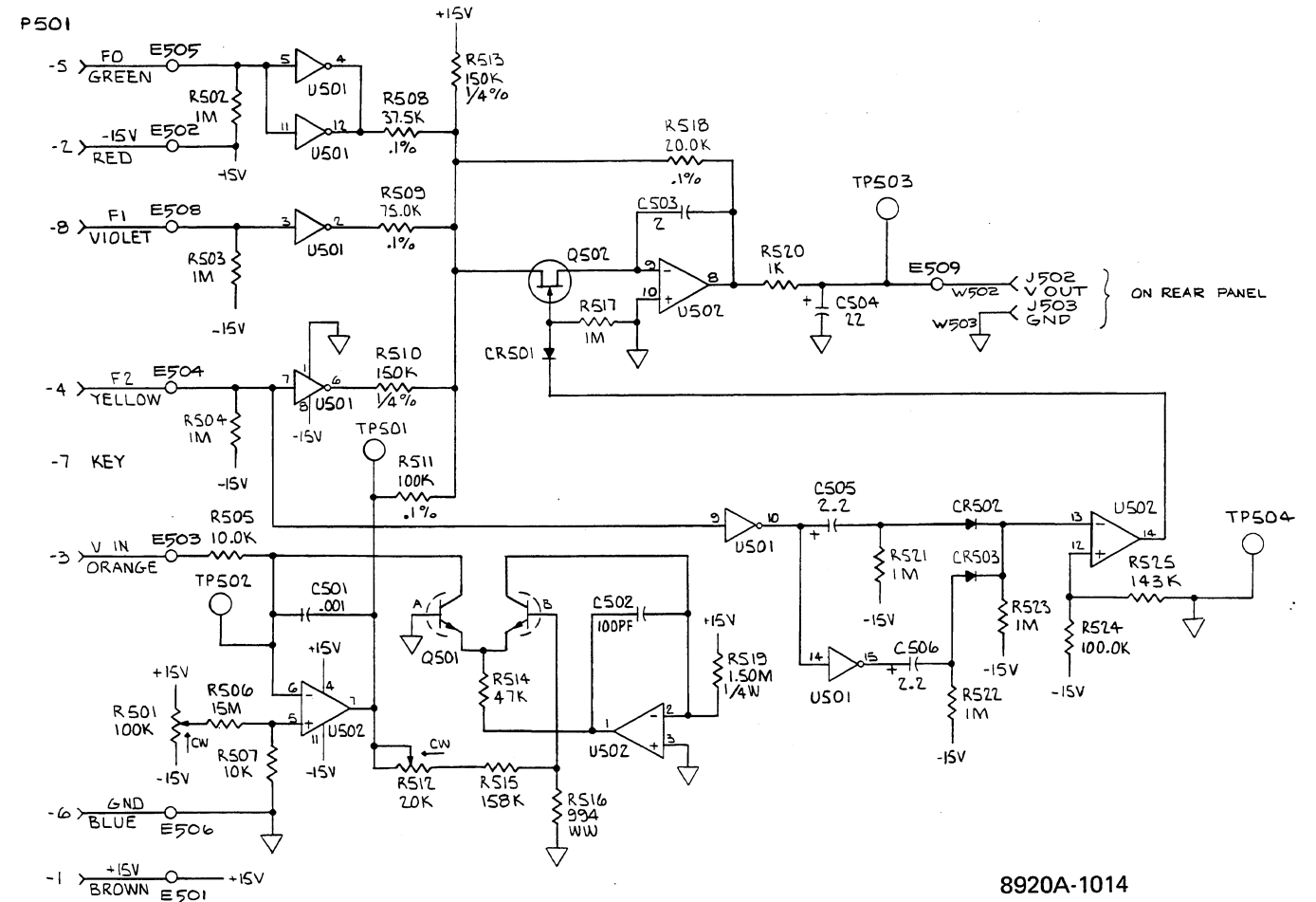
☞ C405 & C416 VALUES ARE SELECTED AND ARE USUALLY OPEN (NOT INSTALLED)

REFERENCE DESIGNATIONS		
HIGHEST USED	NOT USED	
C416	R417	R401
CR401	T402	
L404	U402	
Q403	E402	E401
W402		W401

Figure 8-4. -003 Counter Output Option Assembly



8920A-1614



8920A-1014

LAST NO. USED	
C506	R525
CR503	TP503
Q502	U502

RANGE	F0	F1	F2
2mV	0	0	1
20mV	0	1	0
200mV	0	1	1
2V	1	0	0
20V	1	0	1
200V	1	1	0
200V	1	1	1

LOGIC 1 = 0V  
LOGIC 0 = -15V

NOTES: UNLESS OTHERWISE SPECIFIED:  
1. ALL RESISTANCE VALUES IN OHMS.  
2. ALL CAPACITANCE VALUES IN MICROFARADS

Figure 8-5. -004 Logarithmic Analog Output Option



## Free Manuals Download Website

<http://myh66.com>

<http://usermanuals.us>

<http://www.somanuals.com>

<http://www.4manuals.cc>

<http://www.manual-lib.com>

<http://www.404manual.com>

<http://www.luxmanual.com>

<http://aubethermostatmanual.com>

Golf course search by state

<http://golfingnear.com>

Email search by domain

<http://emailbydomain.com>

Auto manuals search

<http://auto.somanuals.com>

TV manuals search

<http://tv.somanuals.com>